

# LG

**MULTI/SINGLE**

**Indoor unit**

R32 Heat Pump (50 / 60Hz)

0CTI5-17A (Replaces 0CTI5-16A)

# TOTAL HVAC SOLUTION PROVIDER

**ENGINEERING PRODUCT DATA BOOK**

# MULTI/SINGLE

Indoor unit

**General information**

**Product data**

**Wall Mounted Unit (1)**

**Wall Mounted Unit (2)**

**Wall Mounted Unit (3)**

**Wall Mounted Unit (4)**

**ART COOL Mirror**

**ART COOL Color**

**ART COOL**

**ART COOL Silver**

**Ceiling Mounted cassette 1-way**

**Ceiling Mounted cassette 4-way**

**Ceiling Mounted cassette (Dual Vane 4-Way)**

**Ceiling Mounted cassette (Round)**

**Ceiling Concealed Duct - Middle Static Pressure**

**Ceiling concealed duct - Low static pressure**

**Ceiling Suspended Unit**

**Console**

**Accessory**



# MULTI/SINGLE

Indoor unit

## General information

- 1. Model Line Up**
- 2. External Appearance**
- 3. Nomenclature**


# 1. Model Line Up

Category		Chassis Name	Capacity Index [kW (kBtu/h)]											
			1.5 (5)	2.1 (7)	2.5 (9)	3.5 (12)	4.2 (15)	5.0 (18)	7.1 (24)	7.5 (30)	10.0 (36)	12.0 (42)	14.0 (48)	15.0 (60)
Wall Mounted Unit (1)	Deluxe	SJ		○	○	○								
		SK						○	○					
	Standard plus	SJ	○	○	○	○	○							
		SA	○	○										
		SK						○	○					
Wall Mounted Unit (2)	Deluxe	SJ		○	○*	○*								
		SK						○*	○*					
	Standard plus	SJ			○*	○*								
		SK						○*	○*					
	Standard 2	SJ		○	○*	○*			○*	○*				
		SA		○										
	Air Purification	SJ			○*	○*								
Wall Mounted Unit (3)	Standard plus (S)	SJ	○	○	●	●	○							
		SK						●	●					
Wall Mounted Unit (4)		SR								◎	◎			
ART COOL Mirror	AM**B* NS*	SJ		○	○	○								
		SK						○	○					
	AC**B* NS*	SJ			○*	○*								
		SK						○*	○*					
ART COOL Color		SJ			○*	○*								
		SK						○*	○*					
ART COOL Gallery		SF			○	○								
ART COOL Silver		SJ			○*	○*								
		SK						○*						
Ceiling Mounted Cassette	1-way	TU			○	○								
	4-Way	TR	○	○	●	●								
		TQ						●						
	Dual Vane 4-Way	TP-B							●	◎				
		TM-A									◎	◎	◎	
Round	TY								◎		◎			
Ceiling Concealed Duct	Middle Static Pressure	M1						●	●	◎				
		M2								◎	◎			
		M3										◎	◎	
	Low Static Pressure (Slim)	L5			●	●								
		L6						●						
		L3							●					
Ceiling Suspended Unit		VM1						◎	◎	◎				
		VM2								◎	◎	◎		
Console		QA			●	●		●						

**Note**

- Refer the Combination Table of Product Data Book for Outdoor Units.
  - ◎ : Connectable with SINGLE model only.
  - : Connectable with MULTI model only(R32/R410A common use).
  - : Connectable with SINGLE or MULTI model(R32/R410A common use for MULTI model only.).
  - \* : Residential Single Split compatible.
- This product contains Fluorinated greenhouse gases.

## 2. External Appearance

<p>• <b>Wall Mounted Unit (1)</b></p> <p>AMNW07GSJL0 [DM07RP NSJ]                      ASNW09GJ1Z0 [DM09RP NSJ]                      ASNW12GJ1Z0 [DM12RP NSJ]                      ASNW18GK1Z0 [DM18RP NSK]                      ASNW24GK1Z0 [DM24RP NSK]</p> <p>AMNW05GSJB0 [PM05SP NSJ]                      AMNW07GSJB0 [PM07SP NSJ]                      ESNW09GJ2F0 [PM09SP NSJ]                      ESNW12GJ2F0 [PM12SP NSJ]                      ZMNV15GJBW2 [PM15SK NSJ]                      ESNW18GK2F0 [PM18SP NSK]                      ESNW24GK2F0 [PM24SP NSK]</p> <p>ZMNV05GABW2 [PM05SK NSA]                      ZMNV07GABW2 [PM07SK NSA]</p> 	<p>• <b>Wall Mounted Unit (2)</b></p> <p>S3NM09JL1ZA [DC09RQ NSJ]                      S3NM12JL1ZA [DC12RQ NSJ]                      S3NM18KL1ZA [DC18RQ NSK]                      S3NM24K21ZA [DC24RQ NSK]</p> <p>ZMNV07GJLW1 [DM07RK NSJ]                      S3NM09JL1MA [DC09RK NSJ]                      S3NM12JL1MA [DC12RK NSJ]                      S3NM18KL1MA [DC18RK NSK]                      S3NM24K21MA [DC24RK NSK]</p> <p>S3NM09JA2DA [PC09SK NSJ]                      S3NM12JA2DA [PC12SK NSJ]                      S3NM18KL2DA [PC18SK NSK]                      S3NM24K22DA [PC24SK NSK]</p> <p>ZMNV07GSJB1 [MS07ET NSJ]                      S3NM09JA3FA [S09ET NSJ]                      S3NM12JA3FA [S12ET NSJ]                      S3NM18KL3FA [S18ET NSK]                      S3NM24K23FA [S24ET NSK]</p> <p>ZMNV07GSAB1 [MS07ET NSA]</p> <p>S3NM09JA10B [AP09RK NSJ]                      S3NM12JA10B [AP12RK NSJ]</p>  
<p>• <b>Wall Mounted Unit (3)</b></p> <p>ZMNV05GSJCO [MJ05PC NSJ]                      ZMNV07GSJCO [MJ07PC NSJ]                      ZMNV09GSJCO [MJ09PC NSJ]                      ZMNV12GSJCO [MJ12PC NSJ]                      ZMNV15GSJCO [MJ15PC NSJ]                      ZMNV18GSKCO [MJ18PC NSK]                      ZMNV24GSKCO [MJ24PC NSK]</p> 	<p>• <b>Wall Mounted Unit (4)</b></p> <p>ZJNV30GRLA1 [US30F NR0]                      ZJNV36GRLA1 [US36F NR0]</p> 
<p>• <b>ARTCOOL Mirror</b></p> <p>AMNW07GSJR0 [AM07BP NSJ]</p> <p>S3NM09JARZA [AC09BQ NSJ]                      S3NM12JARZA [AC12BQ NSJ]                      S3NM18KLRZA [AC18BQ NSK]                      S3NM24K2RZA [AC24BQ NSK]</p> <p>ZMNV07GJRW1 [AM07BK NSJ]                      S3NM09JARMA [AC09BK NSJ]                      S3NM12JARMA [AC12BK NSJ]                      S3NM18KL RMA [AC18BK NSK]                      S3NM24K2RMA [AC24BK NSK]</p> 	<p>• <b>ARTCOOL Color</b></p> <p>S3NM09JAMMA [AB09BK NSJ]                      S3NM12JAMMA [AB12BK NSJ]                      S3NM18KLMMA [AB18BK NSK]                      S3NM24K2MMA [AB24BK NSK]</p> 
<p>• <b>ARTCOOL Gallery</b></p> <p>ZMNV09GAF10 [MA09R NF1]                      ZMNV12GAF10 [MA12R NF1]</p> 	<p>• <b>ARTCOOL Silver</b></p> <p>S3NM09JASZA [AC09SQ NSJ]                      S3NM12JASZA [AC12SQ NSJ]                      S3NM18KLSZA [AC18SQ NSK]</p> 
<p>• <b>Ceiling Mounted Cassette 1-way</b></p> <p>ZMNV09GTUA0 [MT09R NU1]                      ZMNV12GTUA0 [MT11R NU1]</p> 	<p>• <b>Ceiling Mounted Cassette 4-way</b></p> <p>ZMNV05GTRA0 [MT06R NR0]                      ZMNV07GTRA0 [MT08R NR0]                      ZTNW09GRLA1 [CT09F NR0]                      ZTNW12GRLA1 [CT12F NR0]                      ZTNW18GQLA1 [CT18F NQ0]</p> 
<p>• <b>Ceiling Mounted Cassette (Dual Vane 4-Way)</b></p> <p>ZTNW24GBLA1 [CT24F NB0]                      ZTNW30GBLA1 [UT30F NB0]                      ZTNW36GALA1 [UT36F NA0]                      ZTNW42GALA1 [UT42F NA0]                      ZTNW48GALA1 [UT48F NA0]                      ZTNW60GALA1 [UT60F NA0]</p> 	<p>• <b>Ceiling Mounted Cassette (Round)</b></p> <p>ZTNW36GYLA0 [UT36F NY0]                      ZTNW48GYLA0 [UT48F NY0]</p> 

## 2. External Appearance

<p>• <b>Ceiling Concealed Duct – Middle static pressure</b></p> <p>ZBNW18GM1A1 [CM18F N10]                  ZBNW24GM1A1 [CM24F N10]                  ZBNW30GM1A1 [UM30F N10]                  ZBNW36GM2A1 [UM36F N20]                  ZBNW42GM2A1 [UM42F N20]                  ZBNW48GM3A1 [UM48F N30]                  ZBNW60GM3A1 [UM60F N30]</p> 	<p>• <b>Ceiling Concealed Duct – Low static pressure</b></p> <p>ZBNW09GL5A1 [CL09F N50]                  ZBNW12GL5A1 [CL12F N50]                  ZBNW18GL6A1 [CL18F N60]                  ZBNW24GL3A1 [CL24F N30]</p> 
<p>• <b>Ceiling Suspended Unit</b></p> <p>ZVNW18GM1A1 [UV18F N10]                  ZVNW24GM1A1 [UV24F N10]                  ZVNW30GM1A1 [UV30F N10]                  ZVNW36GM2A1 [UV36F N20]                  ZVNW42GM2A1 [UV42F N20]                  ZVNW48GM2A1 [UV48F N20]                  ZVNW60GM2A1 [UV60F N20]</p> 	<p>• <b>Console</b></p> <p>ZQNW09GALA1 [UQ09F NA0]                  ZQNW12GALA1 [UQ12F NA0]                  ZQNW18GALA1 [UQ18F NA0]</p> 

### 3. Nomenclature

#### 3.1 Factory Model Name

##### ■ Basic (Except for the exception case below)

Model Name	ZTN	W	18	G	Q	L	A	1
No.	1	2	3	4	5	6	7	8

No.	Signification
1	<p><b>Z*N : Indoor units using R32</b> * Indicates Product type</p> <p>M : Only for Multi systems T : Ceiling Mounted Cassette B : Ceiling Concealed Duct V : Ceiling Suspended Unit</p> <p><b>A*N, E*N, U*N : Indoor units using R410A and R32 Commonly</b> * Indicates Product type</p> <p>M : Only for Multi systems J, S : Wall Mounted unit / ARTCOOL Mirror</p>
2	<p><b>Model type</b></p> <p>W/H : DC Inverter Heat pump</p>
3	<p><b>Nominal Capacity</b></p> <p>Ex) 7,000 Btu/h Class → '07', 18,000 Btu/h Class → '18'</p>
4	<p><b>Electrical rating</b></p> <p>G: 1Ø, 220-240V, 50 Hz / 1Ø, 220V, 60 Hz</p>
5	<p><b>Indoor unit type for ASN-, ESN-, USN-, Z*N- series models</b> Chassis name</p> <p><b>Indoor unit type for AMN-, Z*N- series models</b> S : Wall Mounted Unit / ART COOL Mirror T : Ceiling Mounted Cassette A : ART COOL</p>
6	<p><b>Indoor unit type for ASN-, ESN-, USN-, ZTN- series models</b> L : Basic 1 : Deluxe type 2 : Standard plus type 3 : Standard type R : ARTCOOL Mirror type</p> <p><b>Indoor unit type for AMN-, Z*N- series models</b> Chassis name</p>
7	<p><b>Product type (Z*N- series)</b> A : Basic, C : Standard plus (S)</p> <p><b>Functions for Wall Mounted Unit (AMN-, ASN-, ESN-, ZMN- series)</b> L/Z : Ionizer + 4 Way Air flow + Wi-Fi B/F : Non-Ionizer + 4 Way Air flow + Wi-Fi W : 4 Way Air flow + Wi-Fi + Allergy Filter</p> <p><b>Functions for ART COOL Mirror (USN- series)</b> Z : Ionizer + 4 Way</p> <p><b>Panel Color for ART COOL Mirror(AMN-, ZMN- series)</b> R : Mirror W : Mirror + Allergy Filter</p> <p><b>Panel Color for ART COOL</b> 1 : Gallery</p>
8	<p><b>Serial number</b></p>

### 3. Nomenclature

#### ■ Residential Single Split compatible

Model Name	S	3	N	M	09	J	L	1	Z	A
No.	1	2	3	4	5	6	7	8	9	10

No.	Signification
1	<b>Product Type</b> S, Z: Split
2	<b>Refrigerant</b> 3, M : R32 4 : R410A
3	<b>Supply Type</b> N : Indoor Unit U : Outdoor Unit
4	<b>Model Type</b> M : Common Indoor unit for Multi and Residential system W : Indoor units only for Multi system
5	<b>Nominal Capacity</b> Ex) 7,000 Btu/h Class → '07', 18,000 Btu/h Class → '18'
6	<b>Indoor unit Chassis name</b> J : SJ K : SK
7	<b>Outdoor unit Chassis name for Residential system</b> A : UA3 L : UL2 2 : U24A 4 : U36A
8	<b>Look &amp; Color (SJ, SK Chassis)</b> 1 : R Look (White Panel : Transparent) 2 : Semi-R Look (White Panel : Silver Deco) 3 : E Look (White Pane) R : ARTCOOL Mirror M : ARTCOOL Color S : ARTCOOL Silver
9	<b>Function</b> B : Non-Ionizer + 4way F : Non-Ionizer + 4way + Wi-Fi D : Non-Ionizer + 4way + Wi-Fi + Allergy Filter Z : Ionizer + 4way + Wi-Fi Y : Air purification + 4way + Wi-Fi 0 : Air purification + 4way + Wi-Fi + Allergy Filter G : Ionizer + 4way + Wi-Fi + UV Nano M : Ionizer + 4way + Wi-Fi + UV Nano + Allergy Filter
10	<b>Standard Model No.</b>

## 3. Nomenclature

### 3.2 Buyer Model Name

#### ■ Basic (Except for the exception case below)

Model Name	C	T	18	F	N	Q	0
No.	1	2	3	4	5	6	7

No.	Signification
1	<b>Connectable Outdoor unit type</b> M : Indoor units only for Multi systems U : Indoor units only for Single CAC systems C : Common Indoor Unit for Multi and Single CAC
2	<b>Product type</b> T : Ceiling Mounted Cassette M, B, L: Ceiling Concealed Duct V : Ceiling Suspended Unit A : ART COOL J : Wall Mounted Unit Q : Console
3	<b>Nominal Capacity</b> Ex) 7,000 Btu/h Class → '07', 18,000 Btu/h Class → '18'
4	<b>Detailed product type</b> R : Indoor Units using R32 F : Free Combination
5	<b>Indoor Unit / Outdoor Units</b> N : Indoor Unit U : Outdoor Unit
6	<b>Chassis name</b>
7	<b>Serial number</b>

### 3. Nomenclature

#### ■ Wall Mounted Unit (1) / ARTCOOL Mirror / ARTCOOL Silver

Model Name	P	M	07	S	P	N	SJ
No.	1	2	3	4	5	6	7

No.	Signification
1	<b>Product type</b> D : Deluxe P : Standard plus A : ARTCOOL Mirror
2	<b>Connectable Outdoor unit type</b> M, C, S: Multi Compatible
3	<b>Nominal Capacity</b> Ex) 7,000 Btu/h Class → '07', 18,000 Btu/h Class → '18'
4	<b>Product Look</b> R : R-Look E : E-Look S : Semi R-Look B : Mirror-Look
5	<b>Serial</b>
6	<b>Indoor Unit / Outdoor Units</b> N : Indoor Unit U : Outdoor Unit
7	<b>Chassis name</b>



### 3. Nomenclature

#### ■ ARTCOOL Color

Model Name	A	B	09	B	K	N	SJ
No.	1	2	3	4	5	6	7

No.	Signification
1	<b>Product type</b> A : ARTCOOL Color
2	<b>Connectable Outdoor unit type</b> B : Multi Compatible
3	<b>Nominal Capacity</b> Ex) 9,000 Btu/h Class → '09', 18,000 Btu/h Class → '18'
4	<b>Product Look</b> B : Color
5	<b>Serial</b>
6	<b>Indoor Unit / Outdoor Units</b> N : Indoor Unit U : Outdoor Unit
7	<b>Chassis name</b>

### 3. Nomenclature

#### ■ Wall Mounted Unit (2)

Model Name	D	C	09	R	Q	N	SJ
No.	1	2	3	4	5	6	7

No.	Signification
1	<b>Product type</b> D : Deluxe P : Standard plus A : Air Purifying M, S: Standard 2
2	<b>Connectable Outdoor unit type</b> C, M, S, P, - : Multi Compatible
3	<b>Nominal Capacity</b> Ex) 7,000 Btu/h Class → '07', 18,000 Btu/h Class → '18'
4	<b>Product Look</b> R : R-Look S : Semi R-Look E : E-Look B : Black Mirror-Look
5	<b>Serial</b>
6	<b>Indoor Unit / Outdoor Units</b> N : Indoor Unit U : Outdoor Unit
7	<b>Chassis name</b>

### 3. Nomenclature

#### ■ Wall Mounted Unit (3)

Model Name	M	J	05	PC	N	SJ
No.	1	2	3	4	5	6

No.	Signification
1	<b>Connectable Outdoor unit type</b> M : Indoor units only for Multi systems
2	<b>Product type</b> J : Wall Mounted Unit
3	<b>Nominal Capacity</b> Ex) 7,000 Btu/h Class → '07', 18,000 Btu/h Class → '18'
4	<b>Detailed product type</b> PC : Standard plus (S)
5	<b>Indoor Unit / Outdoor Units</b> N : Indoor Unit U : Outdoor Unit
6	<b>Chassis name</b>

# MULTI/SINGLE

Indoor unit

## Product data

**Wall Mounted Unit (1)**

**Wall Mounted Unit (2)**

**Wall Mounted Unit (3)**

**Wall Mounted Unit (4)**

**ARTCOOL Mirror**

**ARTCOOL Color**

**ARTCOOL**

**ARTCOOL Silver**

**Ceiling Mounted cassette 1-way**

**Ceiling Mounted cassette 4-way**

**Ceiling Mounted cassette (Dual Vane 4-Way)**

**Ceiling Mounted cassette (Round)**

**Ceiling concealed duct - Middle static pressure**

**Ceiling concealed duct - Low static pressure**

**Ceiling Suspended Unit**

**Console**

# **MULTI/SINGLE**

Indoor unit

## **Wall Mounted Unit (1)**

- 1.List of Functions**
- 2.Specifications**
- 3.Dimensions**
- 4.Piping diagrams**
- 5.Wiring diagrams**
- 6.Air flow and temperature distribution**
- 7.Sound levels**
- 8.Installation**

# 1. List of functions

## ■ Deluxe

### ◆ List of function

Category	Functions	AMNW07GSJL0 [DM07RP NSJ], ASNW09GJ1Z0 [DM09RP NSJ] ASNW12GJ1Z0 [DM12RP NSJ], ASNW18GK1Z0 [DM18RP NSK] ASNW24GK1Z0 [DM24RP NSK]
Air Flow	Air Supply Outlet	1
	Airflow Direction Control (left & right)	Auto
	Airflow Direction Control (up & down)	Auto
	Auto Swing (left & right)	O
	Auto Swing (up & down)	O
	Airflow Steps (fan/cool/heat)	6 / 6 / 6
	Fan Speed Auto*	Advanced
	Power Cool/Heat	O / O
	Swirl Wind*	X
	Refresh Mode**	X
	Smart Mode**	X
	Indirect Wind*	O
	Direct Wind*	O
Dry Operation	O	
Air Purification	Air Purify	X
	Ionizer	O
	UV-C	X
	Pre-Filter	O
	PM1.0 Filter	X
	Allergy Filter	X
Reliability	Hot Start	O
	Self Diagnosis	O
Convenience	Auto Mode	O
	Auto Dry Operation	O
	Auto Restart	O
	Child Lock*	O
	Forced Operation	O
	Group Control*	X
	Sleep Timer	O
	Turn On/Off Reservation	O
	Schedule*	O
	Two Thermistor Control*	O
	External On/Off	X
Installation	Drain Pump	X
	E.S.P. Control*	X
	High Ceiling Operation*	X
Special Functions	Wi-Fi	Embedded
	Auto Elevation Grille	X
	Human Detection Function**	X
	Floor Detection Function**	X

#### Note

- O : Applied, X : Not Applied, - : Unconfirmed or irrelevant  
Embedded : A kit is provided by default for using this function when the product is manufactured.  
Accessory : Ordered and purchased separately the accessory package referring to the model name provided and install at field. Accessory line-ups varies by region, so check your local catalogue or local sales material.
- Some functions can be limited by remote controller.
- In case of cassette type indoor units, Air Purification Kit and Auto Elevation Grille functions are not applicable at the same time.
- 'Auto Mode' varies depending on the outdoor unit type.  
- Auto Change Over(Single Heat Pump Outdoor Unit)  
- Auto Mode Select(Multi Heat Pump Outdoor Unit)  
- Auto Intensity Control(Cooling Only Outdoor Unit)
- \* : These functions need to connect the wired remote controller.
- \*\* : This functions need to connect to the Standard III wired remote controller.

# 1. List of functions

## ◆ Accessory Compatibility List

Category		Product	Remark	AMNW07GSJL0 [DM07RP NSJ] ASNW09GJ1Z0 [DM09RP NSJ] ASNW12GJ1Z0 [DM12RP NSJ] ASNW18GK1Z0 [DM18RP NSK] ASNW24GK1Z0 [DM24RP NSK]
Wireless Remote Controller		PQWRHQ0FDB	Heat Pump	O (Embedded)
		PWLSSB21H	Heat Pump	O
Wired Remote Controller	Simple	PQRCVCL0Q(W)	Simple	O
		PQRCHCA0Q(W)	for Hotel	O
	Standard	PREMTB001	Standard II (White)	O
		PREMTBB01	Standard II (Black)	O
		PREMTB100	Standard III (White)	O
		PREMTBB10	Standard III (Black)	O
Premium	PREMTA000(A/B)	Premium	X	
Dry contact	Simple Contact	PDRYCB000	Simple Dry Contact	O
	Communication type	PDRYCB400	2 Points Dry Contact (For Setback)	O
		PDRYCB300	For 3rd Party Thermostat	O
		PDRYCB320	For 3rd Party Thermostat (Analog Input)	O
		PDRYCB500	For Modbus	O
Gateway	IDU PI485	PHNFP14A0	Without case	X
		PSNFP14A0	With case	X
ETC	Remote temperature sensor	PQRSTA0	-	X
	Zone controller	ABZCA	-	X
	CO <sub>2</sub> Sensor	PES-C0RV0	For ERV, ERV DX Indoor units	X
	Group control wire	PZCWRCG3	0.25m	X
	2-Remo Control Wire	PZCWRC2	0.25m	X
	Extension Wire	PZCWRC1	10m	O
	Wi-Fi Controller*	PWFMDD200	-	O (Embedded)
	Human detecting sensor	PTVSA00	-	X

### Note

1. O: Possible, X: Impossible, -: Not applicable, Embedded: Included with product.
2. \*: Some advanced functions controlled by individual controller cannot be operated.
3. If there is a difference in development time between the product and the remote controller, some functions cannot be operated.
4. Selecting a wireless remote controller in case of ducted type indoor units requires either a connection to the wired remote controller (Standard II) or an IR receiver accessory to be connected to the duct in order to receive the signal.
5. If you need more detail, please refer to the **BECON** PDB or the manual of product. (<http://partner.lge.com/global> : Home> Doc.Library> Product > Control(BECON))
6. Do not install both the IR Receiver and Wired Remote Controller. This may cause malfunctions.

# 1. List of functions

## ■ Standard plus

### ◆ List of function

Category	Functions	AMNW05GSJB0 [PM05SP NSJ], AMNW07GSJB0 [PM07SP NSJ] ESNW09GJ2F0 [PM09SP NSJ], ESNW12GJ2F0 [PM12SP NSJ] ESNW18GK2F0 [PM18SP NSK] ESNW24GK2F0 [PM24SP NSK]
Air Flow	Air Supply Outlet	1
	Airflow Direction Control (left & right)	Auto
	Airflow Direction Control (up & down)	Auto
	Auto Swing (left & right)	O
	Auto Swing (up & down)	O
	Airflow Steps (fan/cool/heat)	6 / 6 / 6
	Fan Speed Auto*	Advanced
	Power Cool/Heat	O / O
	Swirl Wind*	X
	Refresh Mode**	X
	Smart Mode**	X
	Indirect Wind*	O
	Direct Wind*	O
Dry Operation	O	
Air Purification	Air Purify	X
	Ionizer	X
	UV-C	X
	Pre-Filter	O
	PM1.0 Filter	X
	Allergy Filter	X
Reliability	Hot Start	O
	Self Diagnosis	O
Convenience	Auto Mode	O
	Auto Dry Operation	O
	Auto Restart	O
	Child Lock*	O
	Forced Operation	O
	Group Control*	X
	Sleep Timer	O
	Turn On/Off Reservation	O
	Schedule*	O
	Two Thermistor Control*	O
External On/Off	X	
Installation	Drain Pump	X
	E.S.P. Control*	X
	High Ceiling Operation*	X
Special Functions	Wi-Fi	Embedded
	Auto Elevation Grille	X
	Human Detection Function**	X
	Floor Detection Function**	X

#### Note

- O : Applied, X : Not Applied, - : Unconfirmed or irrelevant  
Embedded : A kit is provided by default for using this function when the product is manufactured.  
Accessory : Ordered and purchased separately the accessory package referring to the model name provided and install at field. Accessory line-ups varies by region, so check your local catalogue or local sales material.
- Some functions can be limited by remote controller.
- In case of cassette type indoor units, Air Purification Kit and Auto Elevation Grille functions are not applicable at the same time.
- 'Auto Mode' varies depending on the outdoor unit type.
  - Auto Change Over(Single Heat Pump Outdoor Unit)
  - Auto Mode Select(Multi Heat Pump Outdoor Unit)
  - Auto Intensity Control(Cooling Only Outdoor Unit)
- \* : These functions need to connect the wired remote controller.
- \*\* : This functions need to connect to the Standard III wired remote controller.



# 1. List of functions

## ◆ List of function

Category	Functions	ZMNW15GJBW2 [PM15SK NSJ]
		ZMNW05GABW2 [PM05SK NSA], ZMNW07GABW2 [PM07SK NSA]
Air Flow	Air Supply Outlet	1
	Airflow Direction Control (left & right)	Auto
	Airflow Direction Control (up & down)	Auto
	Auto Swing (left & right)	O
	Auto Swing (up & down)	O
	Airflow Steps (fan/cool/heat)	6 / 6 / 6
	Fan Speed Auto*	Advanced
	Power Cool/Heat	O / O
	Swirl Wind*	X
	Refresh Mode**	X
	Smart Mode**	X
	Indirect Wind*	O
	Direct Wind*	O
Dry Operation	O	
Air Purification	Air Purify	X
	Ionizer	X
	UV-C	X
	Pre-Filter	O
	PM1.0 Filter	X
	Allergy Filter	O
Reliability	Hot Start	O
	Self Diagnosis	O
Convenience	Auto Mode	O
	Auto Dry Operation	O
	Auto Restart	O
	Child Lock*	O
	Forced Operation	O
	Group Control*	X
	Sleep Timer	O
	Turn On/Off Reservation	O
	Schedule*	O
	Two Thermistor Control*	O
External On/Off	X	
Installation	Drain Pump	X
	E.S.P. Control*	X
	High Ceiling Operation*	X
Special Functions	Wi-Fi	Embedded
	Auto Elevation Grille	X
	Human Detection Function**	X
	Floor Detection Function**	X

### Note

- O : Applied, X : Not Applied, - : Unconfirmed or irrelevant  
Embedded : A kit is provided by default for using this function when the product is manufactured.  
Accessory : Ordered and purchased separately the accessory package referring to the model name provided and install at field. Accessory line-ups varies by region, so check your local catalogue or local sales material.
- Some functions can be limited by remote controller.
- In case of cassette type indoor units, Air Purification Kit and Auto Elevation Grille functions are not applicable at the same time.
- 'Auto Mode' varies depending on the outdoor unit type.  
- Auto Change Over(Single Heat Pump Outdoor Unit)  
- Auto Mode Select(Multi Heat Pump Outdoor Unit)  
- Auto Intensity Control(Cooling Only Outdoor Unit)
- \* : These functions need to connect the wired remote controller.
- \*\* : This functions need to connect to the Standard III wired remote controller.

# 1. List of functions

## ◆ Accessory Compatibility List

Category		Product	Remark	AMNW05GSJB0 [PM05SP NSJ] AMNW07GSJB0 [PM07SP NSJ] ESNW09GJ2F0 [PM09SP NSJ] ESNW12GJ2F0 [PM12SP NSJ] ZMNNW15GJBW2 [PM15SK NSJ] ESNW18GK2F0 [PM18SP NSK] ESNW24GK2F0 [PM24SP NSK] ZMNNW05GABW2 [PM05SK NSA] ZMNNW07GABW2 [PM07SK NSA]
Wireless Remote Controller		PQWRHQ0FDB	Heat Pump	O (Embedded)
		PWLSSB21H	Heat Pump	O
Wired Remote Controller	Simple	PQRCVCL0Q(W)	Simple	O
		PQRCHCA0Q(W)	for Hotel	O
	Standard	PREMTB001	Standard II (White)	O
		PREMTBB01	Standard II (Black)	O
		PREMTB100	Standard III (White)	O
		PREMTBB10	Standard III (Black)	O
Premium	PREMTA000(A/B)	Premium	X	
Dry contact	Simple Contact	PDRYCB000	Simple Dry Contact	O
	Communication type	PDRYCB400	2 Points Dry Contact (For Setback)	O
		PDRYCB300	For 3rd Party Thermostat	O
		PDRYCB320	For 3rd Party Thermostat (Analog Input)	O
		PDRYCB500	For Modbus	O
Gateway	IDU PI485	PHNFP14A0	Without case	X
		PSNFP14A0	With case	X
ETC	Remote temperature sensor	PQRSTA0	-	X
	Zone controller	ABZCA	-	X
	CO <sub>2</sub> Sensor	PES-C0RV0	For ERV, ERV DX Indoor units	X
	Group control wire	PZCWRCG3	0.25m	X
	2-Remo Control Wire	PZCWRC2	0.25m	X
	Extension Wire	PZCWRC1	10m	O
	Wi-Fi Controller*	PWFMDD200	-	O (Embedded)
Human detecting sensor	PTVSA00	-	X	

### Note

1. O: Possible, X: Impossible, -: Not applicable, Embedded: Included with product.
2. \*: Some advanced functions controlled by individual controller cannot be operated.
3. If there is a difference in development time between the product and the remote controller, some functions cannot be operated.
4. Selecting a wireless remote controller in case of ducted type indoor units requires either a connection to the wired remote controller (Standard II) or an IR receiver accessory to be connected to the duct in order to receive the signal.
5. If you need more detail, please refer to the **BECON** PDB or the manual of product. (<http://partner.lge.com/global> : Home> Doc.Library> Product > Control(BECON))
6. Do not install both the IR Receiver and Wired Remote Controller. This may cause malfunctions.

## 2. Specifications

### ■ Deluxe

Model Name				AMNW07GSJL0 [DM07RP NSJ]	ASNW09GJ1Z0 [DM09RP NSJ]
Power Supply			V, Ø, Hz	220-240, 1, 50	220-240, 1, 50
				220, 1, 60	220, 1, 60
Capacity(Nominal)	Cooling	kW		2.1	2.5
	Heating	kW		2.3	3.2
Power Input	Min./Nom./Max.		W	9 / 17 / 30	9 / 18 / 30
Running Current	Min./Nom./Max.		A	0.12 / 0.15 / 0.20	0.12 / 0.16 / 0.20
Casing Color			-	Munsell 7.5BG 10/2 (RAL 9016)	
Dimensions	Body	W x H x D	mm	837 x 308 x 189	837 x 308 x 189
		W x H x D	inch	32-15/16 x 12-1/8 x 7-7/16	32-15/16 x 12-1/8 x 7-7/16
	Shipping	W x H x D	mm	892 x 381 x 249	892 x 381 x 249
		W x H x D	inch	35-1/8 x 15 x 9-13/16	35-1/8 x 15 x 9-13/16
Weight	Body		kg (lbs)	8.3 (18.3)	8.3 (18.3)
	Shipping		kg (lbs)	11.6 (25.6)	11.6 (25.6)
Heat Exchanger	(Row x Column x Fins per inch) x No.		-	(2 x 23 x 22) x 1	(2 x 23 x 22) x 1
	Face Area		m <sup>2</sup> (ft <sup>2</sup> )	0.20 (2.15)	0.20 (2.15)
Fan	Type		-	Cross Flow Fan	Cross Flow Fan
	Air Flow Rate	H / M / L	m <sup>3</sup> /min	7.5 / 6.1 / 4.9	7.7 / 6.4 / 5.0
		H / M / L	ft <sup>3</sup> /min	265 / 215 / 173	272 / 226 / 177
Fan Motor	Type		-	BLDC	BLDC
	Output		W x No.	30 x 1	30 x 1
Sound Pressure Level	H / M / L		dB(A)	35 / 31 / 26	36 / 32 / 27
Sound Power Level	Rated		dB(A)	56	56
Piping Connections	Liquid		mm(inch)	Ø 6.35 (1/4)	Ø 6.35 (1/4)
	Gas		mm(inch)	Ø 9.52 (3/8)	Ø 9.52 (3/8)
	Drain	O.D. / I.D.	mm	Ø 21.5 / 16.0	Ø 21.5 / 16.0
Safety Devices			-	Fuse	
			-	Thermal Protector for Fan Motor	
Connections Method			-	Flared	Flared
Power and Communication Cable (included Earth)			No. x mm <sup>2</sup> (AWG)	4C x 0.75 (18)	4C x 0.75 (18)

#### Note

- Due to our policy of innovation some specifications may be changed without notification.
- Wiring cable size must comply with the applicable local and national code. And "Electric characteristics" chapter should be considered for electrical work and design. Especially the power cable and circuit breaker should be selected in accordance with that.
- Sound Level Values are measured at Noise Measuring chamber accordance with standard. Therefore, these values depend on the ambient conditions and values are normally higher in actual operation(Sound Pressure : LG Internal standard, Sound Power : EN 12102 (ISO 3741).
- Capacities are net capacities and based on the following conditions. Refer to the Outdoor Unit Specifications for calculating the real capacity.
  - Cooling : Indoor Ambient Temp. 27°CDB / 19°CWB, Outdoor Ambient Temp. 35°CDB / 24°CWB
  - Heating : Indoor Ambient Temp. 20°CDB / 15°CWB, Outdoor Ambient Temp. 7°CDB / 6°CWB
  - Interconnected Pipe is standard length and difference of Elevation (Outdoor ~ Indoor Unit) is 0m.

## 2. Specifications

Model Name			ASNW12GJ1Z0 [DM12RP NSJ]	ASNW18GK1Z0 [DM18RP NSK]	
Power Supply		V, Ø, Hz	220-240, 1, 50	220-240, 1, 50	
			220, 1, 60	220, 1, 60	
Capacity(Nominal)	Cooling	kW	3.5	5.0	
	Heating	kW	4.0	5.8	
Power Input	Min./Nom./Max.	W	9 / 19 / 30	26 / 39 / 60	
Running Current	Min./Nom./Max.	A	0.12 / 0.17 / 0.20	0.22 / 0.28 / 0.40	
Casing Color		-	Munsell 7.5BG 10/2 (RAL 9016)		
Dimensions	Body	W x H x D	mm	837 x 308 x 189	998 x 345 x 210
		W x H x D	inch	32-15/16 x 12-1/8 x 7-7/16	39-9/32 x 13-19/32 x 8-9/32
	Shipping	W x H x D	mm	892 x 381 x 249	1,063 x 420 x 274
		W x H x D	inch	35-1/8 x 15 x 9-13/16	41-27/32 x 16-17/32 x 10-25/32
Weight	Body	kg (lbs)	8.3 (18.3)	12.0 (26.5)	
	Shipping	kg (lbs)	11.6 (25.6)	15.8 (34.8)	
Heat Exchanger	(Row x Column x Fins per inch) x No.	-	(2 x 23 x 22) x 1	(2 x 16 x 20) x 1 + (1 x 8 x 22) x 1	
	Face Area	m <sup>2</sup> (ft <sup>2</sup> )	0.20 (2.15)	0.28 (3.01)	
Fan	Type	-	Cross Flow Fan	Cross Flow Fan	
	Air Flow Rate	H / M / L	m <sup>3</sup> /min	8.1 / 6.7 / 5.3	14.2 / 11.3 / 9.9
		H / M / L	ft <sup>3</sup> /min	286 / 237 / 187	501 / 399 / 350
Fan Motor	Type	-	BLDC	BLDC	
	Output	W x No.	30 x 1	60 x 1	
Sound Pressure Level	H / M / L	dB(A)	38 / 34 / 29	44 / 38 / 34	
Sound Power Level	Rated	dB(A)	56	60	
Piping Connections	Liquid	mm(inch)	Ø 6.35 (1/4)	Ø 6.35 (1/4)	
	Gas	mm(inch)	Ø 9.52 (3/8)	Ø 12.7 (1/2)	
	Drain	O.D. / I.D.	mm	Ø 21.5 / 16.0	Ø 21.5 / 16.0
Safety Devices		-	Fuse		
		-	Thermal Protector for Fan Motor		
Connections Method		-	Flared	Flared	
Power and Communication Cable (included Earth)		No. x mm <sup>2</sup> (AWG)	4C x 0.75 (18)	4C x 0.75 (18)	

**Note**

1. Due to our policy of innovation some specifications may be changed without notification.
2. Wiring cable size must comply with the applicable local and national code. And "Electric characteristics" chapter should be considered for electrical work and design. Especially the power cable and circuit breaker should be selected in accordance with that.
3. Sound Level Values are measured at Noise Measuring chamber accordance with standard. Therefore, these values depend on the ambient conditions and values are normally higher in actual operation(Sound Pressure : LG Internal standard, Sound Power : EN 12102 (ISO 3741).
4. Capacities are net capacities and based on the following conditions. Refer to the Outdoor Unit Specifications for calculating the real capacity.
  - Cooling : Indoor Ambient Temp. 27°CDB / 19°CWB, Outdoor Ambient Temp. 35°CDB / 24°CWB
  - Heating : Indoor Ambient Temp. 20°CDB / 15°CWB, Outdoor Ambient Temp. 7°CDB / 6°CWB
  - Interconnected Pipe is standard length and difference of Elevation (Outdoor ~ Indoor Unit) is 0m.

## 2. Specifications

Model Name				ASNW24GK1Z0 [DM24RP NSK]
Power Supply		V, Ø, Hz	220-240, 1, 50 220, 1, 60	
Capacity(Nominal)	Cooling	kW	6.6	
	Heating	kW	7.5	
Power Input	Min./Nom./Max.	W	27 / 45 / 60	
Running Current	Min./Nom./Max.	A	0.24 / 0.33 / 0.40	
Casing Color		-	Munsell 7.5BG 10/2 (RAL 9016)	
Dimensions	Body	W x H x D	mm	998 x 345 x 210
		W x H x D	inch	39-9/32 x 13-19/32 x 8-9/32
	Shipping	W x H x D	mm	1,063 x 420 x 274
		W x H x D	inch	14-27/32 x 16-17/32 x 10-25/32
Weight	Body	kg (lbs)	12.0 (26.5)	
	Shipping	kg (lbs)	15.9 (35.1)	
Heat Exchanger	(Row x Column x Fins per inch) x No.	-	(2 x 16 x 20) x 1 + (1 x 8 x 22) x 1	
	Face Area	m <sup>2</sup> (ft <sup>2</sup> )	0.28 (3.01)	
Fan	Type	-	Cross Flow Fan	
	Air Flow Rate	H / M / L	m <sup>3</sup> /min	15.2 / 12.7 / 10.2
		H / M / L	ft <sup>3</sup> /min	537 / 448 / 360
Fan Motor	Type	-	BLDC	
	Output	W x No.	60 x 1	
Sound Pressure Level	H / M / L	dB(A)	47 / 41 / 36	
Sound Power Level	Rated	dB(A)	64	
Piping Connections	Liquid		mm(inch)	Ø 6.35 (1/4)
	Gas		mm(inch)	Ø 12.7 (1/2)
	Drain	O.D. / I.D.	mm	Ø 21.5 / 16.0
Safety Devices		-	Fuse	
		-	Thermal Protector for Fan Motor	
Connections Method		-	Flared	
Power and Communication Cable (included Earth)		No. x mm <sup>2</sup> (AWG)	4C x 0.75 (18)	
<b>Note</b>				
1. Due to our policy of innovation some specifications may be changed without notification.				
2. Wiring cable size must comply with the applicable local and national code. And "Electric characteristics" chapter should be considered for electrical work and design. Especially the power cable and circuit breaker should be selected in accordance with that.				
3. Sound Level Values are measured at Noise Measuring chamber accordance with standard. Therefore, these values depend on the ambient conditions and values are normally higher in actual operation(Sound Pressure : LG Internal standard, Sound Power : EN 12102 (ISO 3741).				
4. Capacities are net capacities and based on the following conditions. Refer to the Outdoor Unit Specifications for calculating the real capacity.				
<ul style="list-style-type: none"> <li>• Cooling : Indoor Ambient Temp. 27°CDB / 19°CWB, Outdoor Ambient Temp. 35°CDB / 24°CWB</li> <li>• Heating : Indoor Ambient Temp. 20°CDB / 15°CWB, Outdoor Ambient Temp. 7°CDB / 6°CWB</li> <li>• Interconnected Pipe is standard length and difference of Elevation (Outdoor ~ Indoor Unit) is 0m.</li> </ul>				

## 2. Specifications

### ■ Standard plus

Model Name				AMNW05GSJB0 [PM05SP NSJ]	AMNW07GSJB0 [PM07SP NSJ]
Power Supply		V, Ø, Hz		220-240, 1, 50	220-240, 1, 50
				220, 1, 60	220, 1, 60
Capacity(Nominal)	Cooling	kW		1.5	2.1
	Heating	kW		1.6	2.3
Power Input	Min./Nom./Max.		W	11 / 16 / 30	11 / 17 / 30
Running Current	Min./Nom./Max.		A	0.10 / 0.13 / 0.20	0.10 / 0.14 / 0.20
Casing Color				Munsell 7.5BG 10/2 (RAL 9016)	
Dimensions	Body	W x H x D	mm	837 x 308 x 189	837 x 308 x 189
		W x H x D	inch	32-15/16 x 12-1/8 x 7-7/16	32-15/16 x 12-1/8 x 7-7/16
	Shipping	W x H x D	mm	909 x 383 x 256	909 x 383 x 256
		W x H x D	inch	35-25/32 x 15-3/32 x 10-3/32	35-25/32 x 15-3/32 x 10-3/32
Weight	Body		kg (lbs)	8.7 (19.2)	8.7 (19.2)
	Shipping		kg (lbs)	12.0 (26.5)	12.0 (26.5)
Heat Exchanger	(Row x Column x Fins per inch) x No.		-	(2 x 15 x 21) x 1	(2 x 15 x 21) x 1
	Face Area		m <sup>2</sup> (ft <sup>2</sup> )	0.19 (2.05)	0.19 (2.05)
Fan	Type		-	Cross Flow Fan	Cross Flow Fan
	Air Flow Rate	H / M / L	m <sup>3</sup> /min	8.3 / 6.7 / 5.6	8.6 / 7.2 / 5.6
		H / M / L	ft <sup>3</sup> /min	293 / 237 / 198	304 / 254 / 198
Fan Motor	Type		-	BLDC	BLDC
	Output		W x No.	30 x 1	30 x 1
Sound Pressure Level		H / M / L	dB(A)	34 / 31 / 27	35 / 32 / 27
Sound Power Level		Rated	dB(A)	57	57
Piping Connections	Liquid		mm(inch)	Ø 6.35 (1/4)	Ø 6.35 (1/4)
	Gas		mm(inch)	Ø 9.52 (3/8)	Ø 9.52 (3/8)
	Drain	O.D. / I.D.	mm	Ø 21.5 / 16.0	Ø 21.5 / 16.0
Safety Devices			-	Fuse	
			-	Thermal Protector for Fan Motor	
Connections Method			-	Flared	Flared
Power and Communication Cable (included Earth)			No. x mm <sup>2</sup> (AWG)	4C x 0.75 (18)	4C x 0.75 (18)

**Note**

1. Due to our policy of innovation some specifications may be changed without notification.
2. Wiring cable size must comply with the applicable local and national code. And "Electric characteristics" chapter should be considered for electrical work and design. Especially the power cable and circuit breaker should be selected in accordance with that.
3. Sound Level Values are measured at Noise Measuring chamber accordance with standard. Therefore, these values depend on the ambient conditions and values are normally higher in actual operation(Sound Pressure : LG Internal standard, Sound Power : EN 12102 (ISO 3741).
4. Capacities are net capacities and based on the following conditions. Refer to the Outdoor Unit Specifications for calculating the real capacity.
  - Cooling : Indoor Ambient Temp. 27°CDB / 19°CWB, Outdoor Ambient Temp. 35°CDB / 24°CWB
  - Heating : Indoor Ambient Temp. 20°CDB / 15°CWB, Outdoor Ambient Temp. 7°CDB / 6°CWB
  - Interconnected Pipe is standard length and difference of Elevation (Outdoor ~ Indoor Unit) is 0m.

## 2. Specifications

Model Name				ESNW09GJ2F0 [PM09SP NSJ]	ESNW12GJ2F0 [PM12SP NSJ]
Power Supply		V, Ø, Hz		220-240, 1, 50	220-240, 1, 50
				220, 1, 60	220, 1, 60
Capacity(Nominal)	Cooling	kW		2.5	3.5
	Heating	kW		3.2	3.8
Power Input	Min./Nom./Max.		W	11 / 18 / 30	11 / 19 / 30
Running Current	Min./Nom./Max.		A	0.10 / 0.16 / 0.20	0.10 / 0.17 / 0.20
Casing Color			-	Munsell 7.5BG 10/2 (RAL 9016)	
Dimensions	Body	W x H x D	mm	837 x 308 x 189	837 x 308 x 189
		W x H x D	inch	32-15/16 x 12-1/8 x 7-7/16	32-15/16 x 12-1/8 x 7-7/16
	Shipping	W x H x D	mm	909 x 383 x 256	909 x 383 x 256
		W x H x D	inch	35-25/32 x 15-3/32 x 10-3/32	35-25/32 x 15-3/32 x 10-3/32
Weight	Body		kg (lbs)	8.7 (19.2)	8.7 (19.2)
	Shipping		kg (lbs)	12.0 (26.5)	12.0 (26.5)
Heat Exchanger	(Row x Column x Fins per inch) x No.		-	(2 x 15 x 21) x 1	(2 x 15 x 21) x 1
	Face Area		m <sup>2</sup> (ft <sup>2</sup> )	0.19 (2.05)	0.19 (2.05)
Fan	Type		-	Cross Flow Fan	Cross Flow Fan
	Air Flow Rate	H / M / L	m <sup>3</sup> /min	9.2 / 7.4 / 5.6	9.6 / 8.1 / 5.6
		H / M / L	ft <sup>3</sup> /min	325 / 261 / 198	339 / 286 / 198
Fan Motor	Type		-	BLDC	BLDC
	Output		W x No.	30 x 1	30 x 1
Sound Pressure Level		H / M / L	dB(A)	36 / 33 / 27	40 / 35 / 27
Sound Power Level		Rated	dB(A)	57	57
Piping Connections	Liquid		mm(inch)	Ø 6.35 (1/4)	Ø 6.35 (1/4)
	Gas		mm(inch)	Ø 9.52 (3/8)	Ø 9.52 (3/8)
	Drain	O.D. / I.D.	mm	Ø 21.5 / 16.0	Ø 21.5 / 16.0
Safety Devices			-	Fuse	
			-	Thermal Protector for Fan Motor	
Connections Method			-	Flared	Flared
Power and Communication Cable (included Earth)			No. x mm <sup>2</sup> (AWG)	4C x 0.75 (18)	4C x 0.75 (18)

### Note

1. Due to our policy of innovation some specifications may be changed without notification.
2. Wiring cable size must comply with the applicable local and national code. And "Electric characteristics" chapter should be considered for electrical work and design. Especially the power cable and circuit breaker should be selected in accordance with that.
3. Sound Level Values are measured at Noise Measuring chamber accordance with standard. Therefore, these values depend on the ambient conditions and values are normally higher in actual operation(Sound Pressure : LG Internal standard, Sound Power : EN 12102 (ISO 3741).
4. Capacities are net capacities and based on the following conditions. Refer to the Outdoor Unit Specifications for calculating the real capacity.
  - Cooling : Indoor Ambient Temp. 27°CDB / 19°CWB, Outdoor Ambient Temp. 35°CDB / 24°CWB
  - Heating : Indoor Ambient Temp. 20°CDB / 15°CWB, Outdoor Ambient Temp. 7°CDB / 6°CWB
  - Interconnected Pipe is standard length and difference of Elevation (Outdoor ~ Indoor Unit) is 0m.

## 2. Specifications

Model Name			ZMNW15GJBW2 [PM15SK NSJ]	ESNW18GK2F0 [PM18SP NSK]
Power Supply		V, Ø, Hz	220-240, 1, 50 220, 1, 60	220-240, 1, 50 220, 1, 60
Capacity(Nominal)	Cooling	kW	4.2	5.0
	Heating	kW	5.4	5.8
Power Input	Min./Nom./Max.	W	12 / 21 / 30	26 / 39 / 60
Running Current	Min./Nom./Max.	A	0.12 / 0.18 / 0.20	0.22 / 0.28 / 0.40
Casing Color		-	Munsell 7.5BG 10/2 (RAL 9016)	
Dimensions	Body	W x H x D	mm	837 x 308 x 189
		W x H x D	inch	32-15/16 x 12-1/8 x 7-7/16
	Shipping	W x H x D	mm	882 x 385 x 253
		W x H x D	inch	34-23/32 x 15-5/32 x 9-31/32
Weight	Body	kg (lbs)	8.7 (19.2)	12.0 (26.5)
	Shipping	kg (lbs)	11.0 (24.3)	15.8 (34.8)
Heat Exchanger	(Row x Column x Fins per inch) x No.	-	(2 x 15 x 21) x 1	(2 x 16 x 20) x 1 + (1 x 8 x 22) x 1
	Face Area	m <sup>2</sup> (ft <sup>2</sup> )	0.19 (2.05)	0.28 (3.01)
Fan	Type	-	Cross Flow Fan	Cross Flow Fan
	Air Flow Rate	H / M / L	m <sup>3</sup> /min	10.0 / 8.5 / 6.1
		H / M / L	ft <sup>3</sup> /min	353 / 300 / 215
Fan Motor	Type	-	BLDC	BLDC
	Output	W x No.	30 x 1	60 x 1
Sound Pressure Level	H / M / L	dB(A)	41 / 36 / 29	44 / 38 / 35
Sound Power Level	Rated	dB(A)	57	59
Piping Connections	Liquid	mm(inch)	Ø 6.35 (1/4)	Ø 6.35 (1/4)
	Gas	mm(inch)	Ø 9.52 (3/8)	Ø 12.7 (1/2)
	Drain	O.D. / I.D.	mm	Ø 21.5 / 16.0
Safety Devices		-	Fuse	
		-	Thermal Protector for Fan Motor	
Connections Method		-	Flared	Flared
Power and Communication Cable (included Earth)		No. x mm <sup>2</sup> (AWG)	4C x 0.75 (18)	4C x 0.75 (18)

### Note

- Due to our policy of innovation some specifications may be changed without notification.
- Wiring cable size must comply with the applicable local and national code. And "Electric characteristics" chapter should be considered for electrical work and design. Especially the power cable and circuit breaker should be selected in accordance with that.
- Sound Level Values are measured at Noise Measuring chamber accordance with standard. Therefore, these values depend on the ambient conditions and values are normally higher in actual operation(Sound Pressure : LG Internal standard, Sound Power : EN 12102 (ISO 3741).
- Capacities are net capacities and based on the following conditions. Refer to the Outdoor Unit Specifications for calculating the real capacity.
  - Cooling : Indoor Ambient Temp. 27°CDB / 19°CWB, Outdoor Ambient Temp. 35°CDB / 24°CWB
  - Heating : Indoor Ambient Temp. 20°CDB / 15°CWB, Outdoor Ambient Temp. 7°CDB / 6°CWB
  - Interconnected Pipe is standard length and difference of Elevation (Outdoor ~ Indoor Unit) is 0m.



## 2. Specifications

Model Name			ESNW24GK2F0 [PM24SP NSK]	
Power Supply		V, Ø, Hz	220-240, 1, 50 220, 1, 60	
Capacity(Nominal)	Cooling	kW	6.6	
	Heating	kW	7.5	
Power Input	Min./Nom./Max.	W	27 / 45 / 60	
Running Current	Min./Nom./Max.	A	0.24 / 0.33 / 0.40	
Casing Color			-	Munsell 7.5BG 10/2 (RAL 9016)
Dimensions	Body	W x H x D	mm	998 x 345 x 210
		W x H x D	inch	39-9/32 x 13-19/32 x 8-9/32
	Shipping	W x H x D	mm	1,080 x 422 x 281
		W x H x D	inch	42-17/32 x 16-5/8 x 11-1/16
Weight	Body	kg (lbs)	12.8 (28.2)	
	Shipping	kg (lbs)	16.2 (35.7)	
Heat Exchanger	(Row x Column x Fins per inch) x No.	-	(2 x 16 x 20) x 1 + (1 x 8 x 22) x 1	
	Face Area	m <sup>2</sup> (ft <sup>2</sup> )	0.28 (3.01)	
Fan	Type	-	Cross Flow Fan	
	Air Flow Rate	H / M / L	m <sup>3</sup> /min	15.2 / 12.7 / 10.2
		H / M / L	ft <sup>3</sup> /min	537 / 449 / 360
Fan Motor	Type	-	BLDC	
	Output	W x No.	60 x 1	
Sound Pressure Level	H / M / L	dB(A)	46 / 41 / 36	
Sound Power Level	Rated	dB(A)	65	
Piping Connections	Liquid		mm(inch)	Ø 6.35 (1/4)
	Gas		mm(inch)	Ø 12.7 (1/2)
	Drain	O.D. / I.D.	mm	Ø 21.5 / 16.0
Safety Devices			-	Fuse
			-	Thermal Protector for Fan Motor
Connections Method			-	Flared
Power and Communication Cable (included Earth)		No. x mm <sup>2</sup> (AWG)	4C x 0.75 (18)	

### Note

- Due to our policy of innovation some specifications may be changed without notification.
- Wiring cable size must comply with the applicable local and national code. And "Electric characteristics" chapter should be considered for electrical work and design. Especially the power cable and circuit breaker should be selected in accordance with that.
- Sound Level Values are measured at Noise Measuring chamber accordance with standard. Therefore, these values depend on the ambient conditions and values are normally higher in actual operation(Sound Pressure : LG Internal standard, Sound Power : EN 12102 (ISO 3741).
- Capacities are net capacities and based on the following conditions. Refer to the Outdoor Unit Specifications for calculating the real capacity.
  - Cooling : Indoor Ambient Temp. 27°CDB / 19°CWB, Outdoor Ambient Temp. 35°CDB / 24°CWB
  - Heating : Indoor Ambient Temp. 20°CDB / 15°CWB, Outdoor Ambient Temp. 7°CDB / 6°CWB
  - Interconnected Pipe is standard length and difference of Elevation (Outdoor ~ Indoor Unit) is 0m.

## 2. Specifications

Model Name			ZMNW05GABW2 [PM05SK NSA]	ZMNW07GABW2 [PM07SK NSA]
Power Supply		V, Ø, Hz	220-240, 1, 50 220, 1, 60	220-240, 1, 50 220, 1, 60
Capacity(Nominal)	Cooling	kW	1.5	2.1
	Heating	kW	1.6	2.3
Power Input	Min./Nom./Max.	W	11 / 17 / 30	11 / 18 / 30
Running Current	Min./Nom./Max.	A	0.10 / 0.13 / 0.20	0.10 / 0.14 / 0.20
Casing Color		-	Munsell 7.5BG 10/2 (RAL 9016)	
Dimensions	Body	W x H x D	mm	754 x 308 x 189
		W x H x D	inch	29-11/16 x 12-1/8 x 7-7/16
	Shipping	W x H x D	mm	800 x 381 x 246
		W x H x D	inch	31-1/2 x 15 x 9-11/16
Weight	Body	kg (lbs)	7.8 (17.2)	7.8 (17.2)
	Shipping	kg (lbs)	9.5 (20.9)	9.5 (20.9)
Heat Exchanger	(Row x Column x Fins per inch) x No.		-	(2 x 15 x 21) x 1
	Face Area		m <sup>2</sup> (ft <sup>2</sup> )	0.17 (1.83)
	Corrosion Protection		-	PCM
	Fin Type		-	Slit
	Material, Tube / Fin		-	Cu / Al
Fan	Type		-	Cross Flow Fan
	Air Flow Rate	(Cooling) SH / H / M / L	m <sup>3</sup> /min	- / 6.3 / 5.0 / 3.5
			ft <sup>3</sup> /min	- / 222 / 177 / 124
		(Heating) SH / H / M / L	m <sup>3</sup> /min	- / 6.8 / 5.3 / 4.5
			ft <sup>3</sup> /min	- / 240 / 187 / 159
Fan Motor	Type		-	BLDC
	Output		W x No.	30 x 1
Sound Pressure Level	(Cooling) SH / H / M / L / SL		dB(A)	- / 36 / 31 / 27 / -
	(Heating) SH / H / M / L / SL		dB(A)	- / 35 / 29 / 25 / -
Sound Power Level	Rated		dB(A)	57
Piping Connections	Liquid		mm(inch)	Ø 6.35 (1/4)
	Gas		mm(inch)	Ø 9.52 (3/8)
	Drain	O.D. / I.D.	mm	Ø 21.5 / 16.0
Safety Devices		-	Fuse	Fuse
		-	Thermal Protector for Fan Motor	
Connections Method		-	Flared	Flared
Power and Communication Cable (included Earth)		No. x mm <sup>2</sup> (AWG)	4C x 0.75 (18)	4C x 0.75 (18)

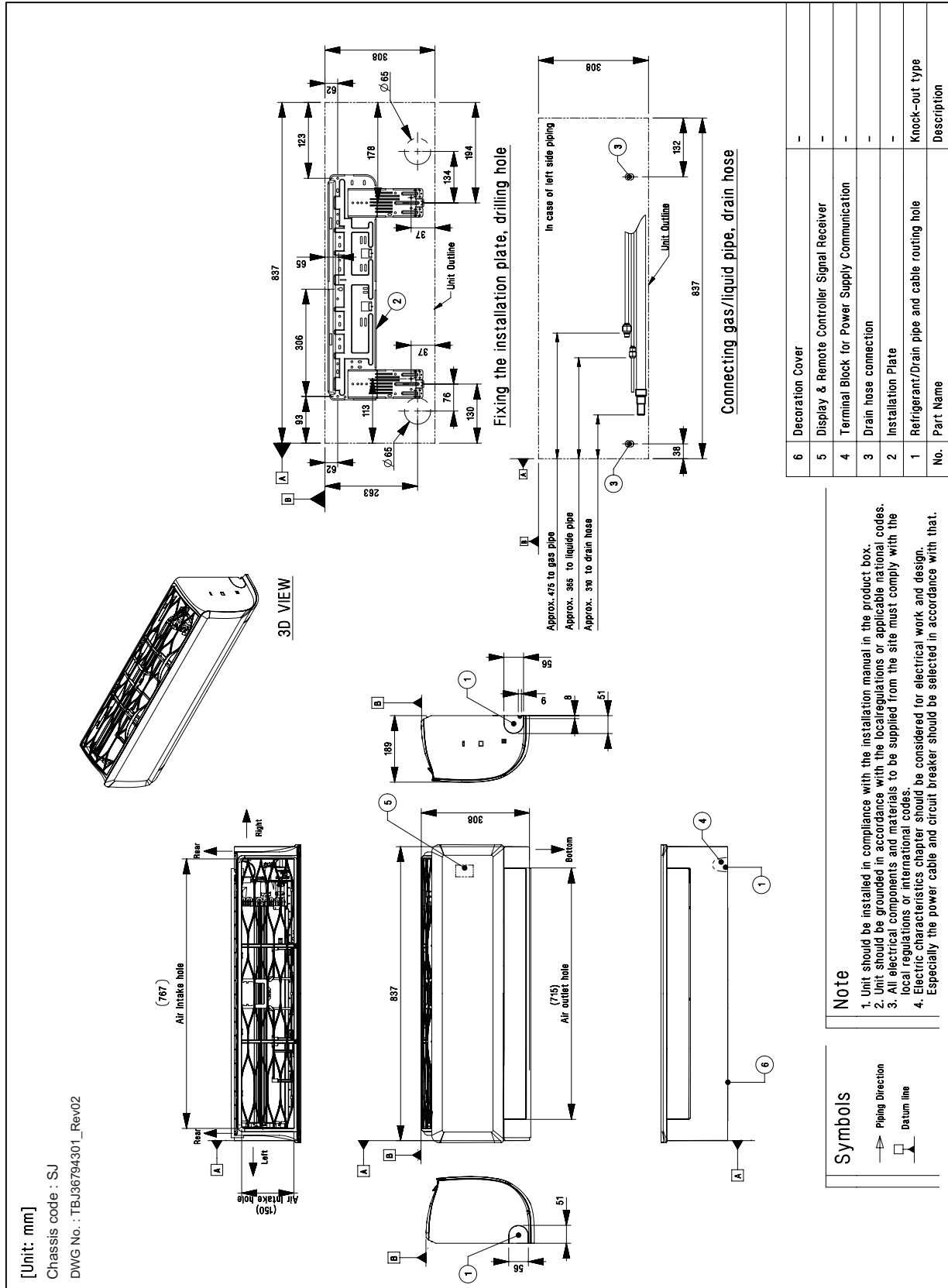
### Note

- Due to our policy of innovation some specifications may be changed without notification.
- Wiring cable size must comply with the applicable local and national code. And "Electric characteristics" chapter should be considered for electrical work and design. Especially the power cable and circuit breaker should be selected in accordance with that.
- Sound Level Values are measured at Noise Measuring chamber accordance with standard. Therefore, these values depend on the ambient conditions and values are normally higher in actual operation(Sound Pressure : LG Internal standard, Sound Power : EN 12102 (ISO 3741).
- Capacities are net capacities and based on the following conditions. Refer to the Outdoor Unit Specifications for calculating the real capacity.
  - Cooling : Indoor Ambient Temp. 27°CDB / 19°CWB, Outdoor Ambient Temp. 35°CDB / 24°CWB
  - Heating : Indoor Ambient Temp. 20°CDB / 15°CWB, Outdoor Ambient Temp. 7°CDB / 6°CWB
  - Interconnected Pipe is standard length and difference of Elevation (Outdoor ~ Indoor Unit) is 0m.

# 3. Dimensions

## Deluxe (SJ Chassis)

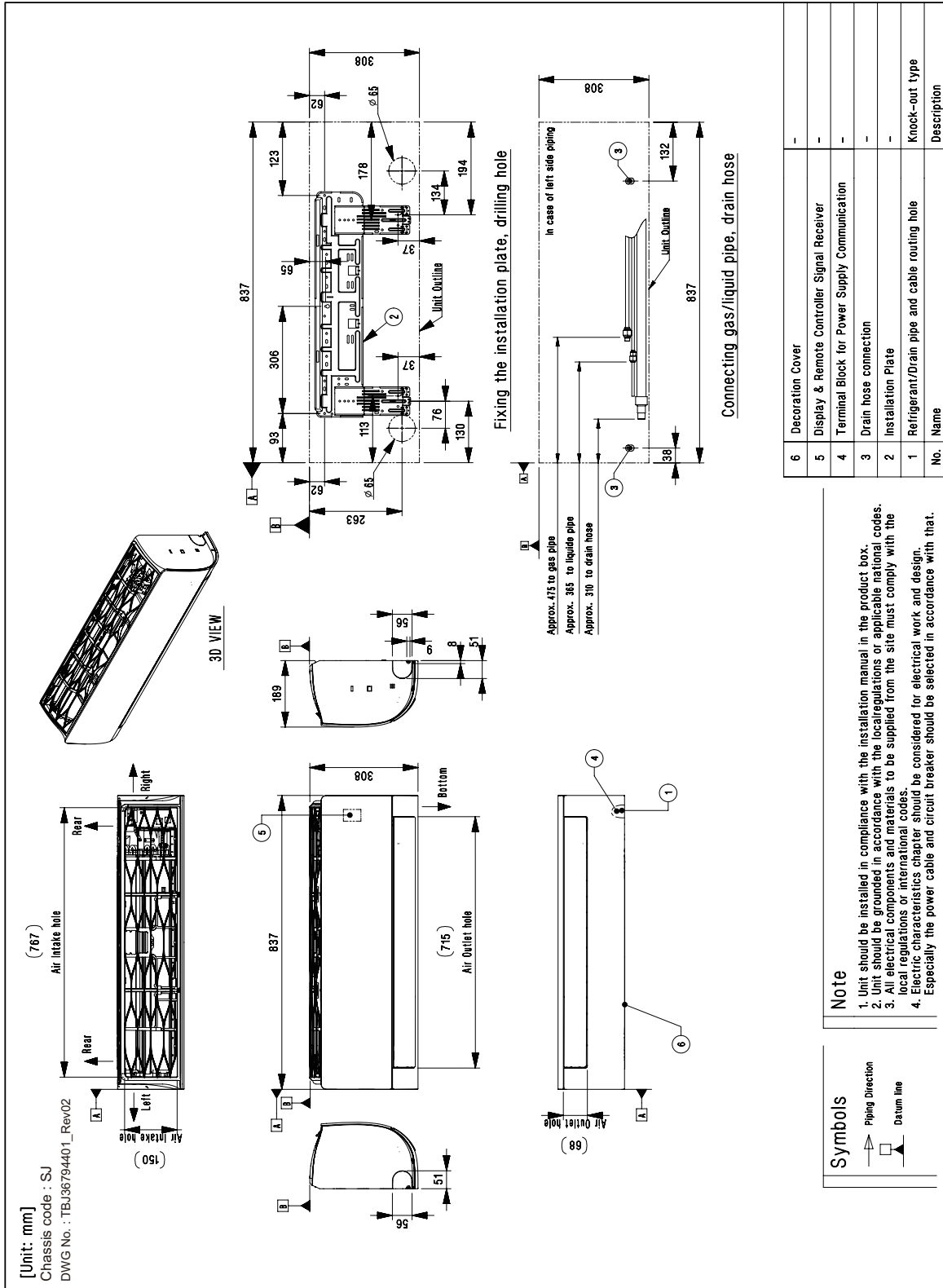
◆ AMNW07GSJL0 [DM07RP NSJ], ASNW09GJ1Z0 [DM09RP NSJ], ASNW12GJ1Z0 [DM12RP NSJ]



# 3. Dimensions

## ■ Standard Plus (SJ Chassis)

◆ AMNW05GSJB0 [PM05SP NSJ], AMNW07GSJB0 [PM07SP NSJ], ESNW09GJ2F0 [PM09SP NSJ], ESNW12GJ2F0 [PM12SP NSJ], ZMNW15GJBW2 [PM15SK NSJ]

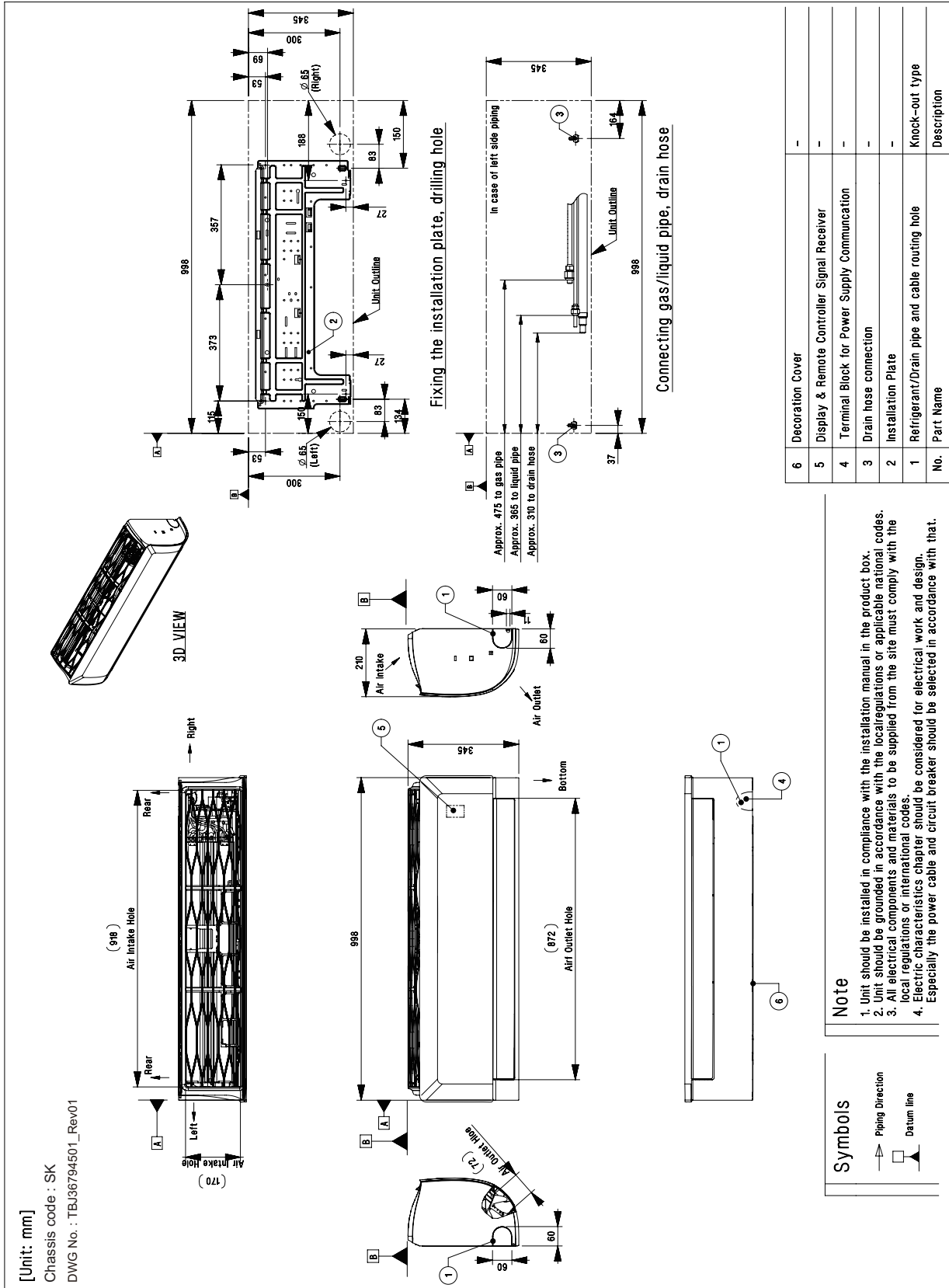




### 3. Dimensions

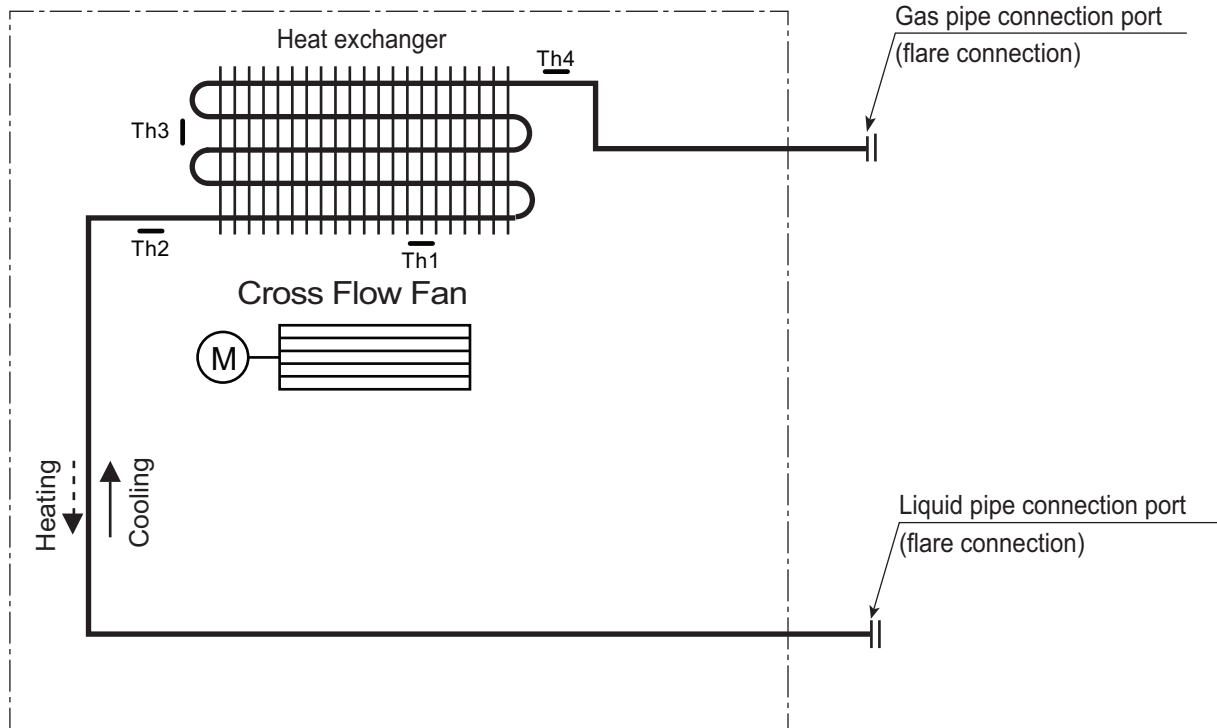
■ Deluxe / Standard Plus (SK Chassis)

◆ ASNW18GK1Z0 [DM18RP NSK], ASNW24GK1Z0 [DM24RP NSK], ESNW18GK2F0 [PM18SP NSK], ESNW24GK2F0 [PM24SP NSK]



## 4. Piping diagrams

### Models : Deluxe, Standard Plus



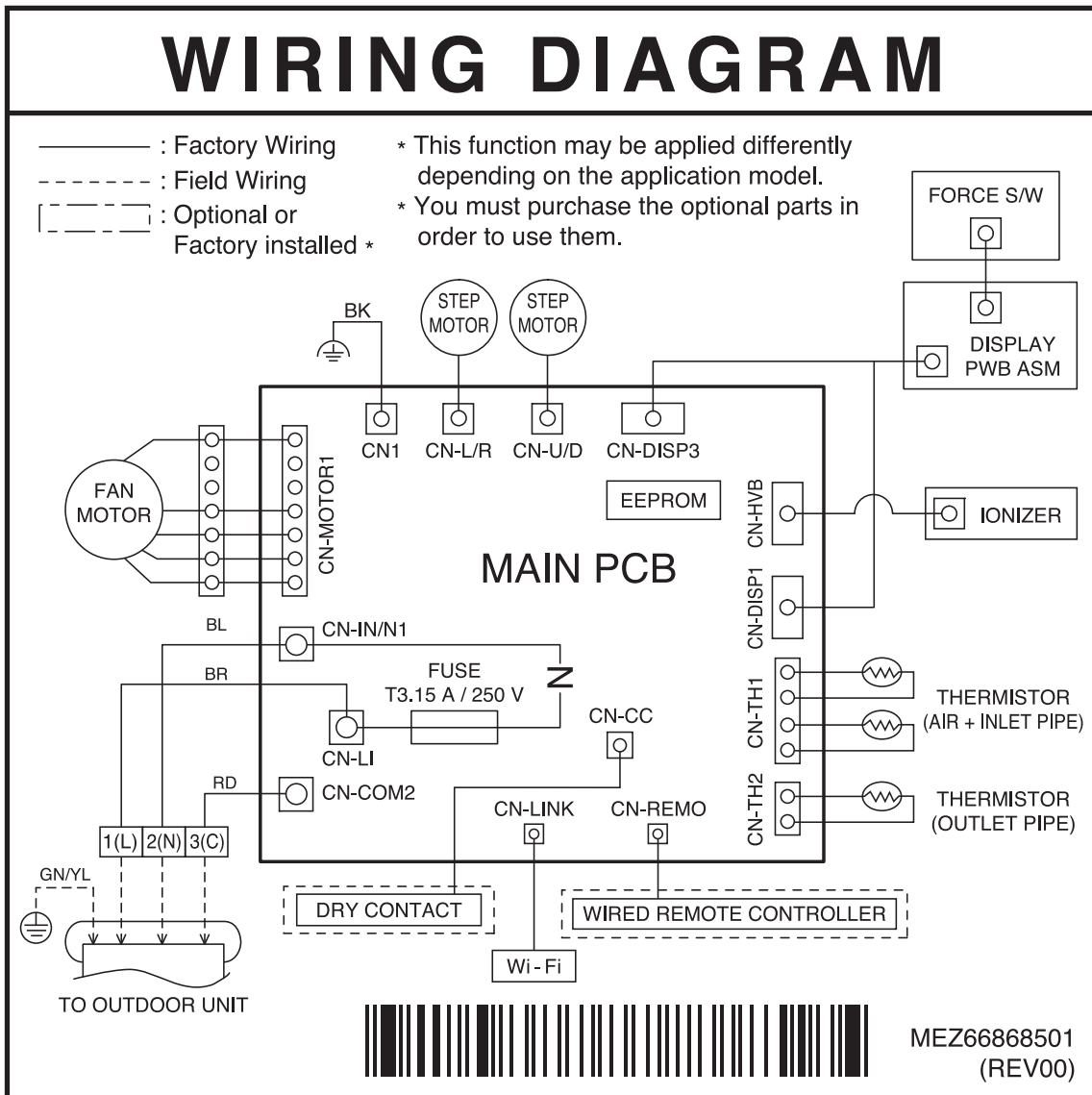
LOC.	Description	PCB Connector
Th1	Thermistor for suction air temperature	CN-TH1
Th2	Thermistor for evaporator inlet temperature	
Th3*	Thermistor for evaporator middle temperature	CN-TH3
Th4	Thermistor for evaporator outlet temperature	CN-TH2

- \* : AMNW07GSJL0 [DM07RP NSJ], ZMNW05GABW2 [PM05SK NSA], ZMNW07GABW2 [PM07SK NSA]  
Models not available.

# 5. Wiring Diagrams

## Deluxe

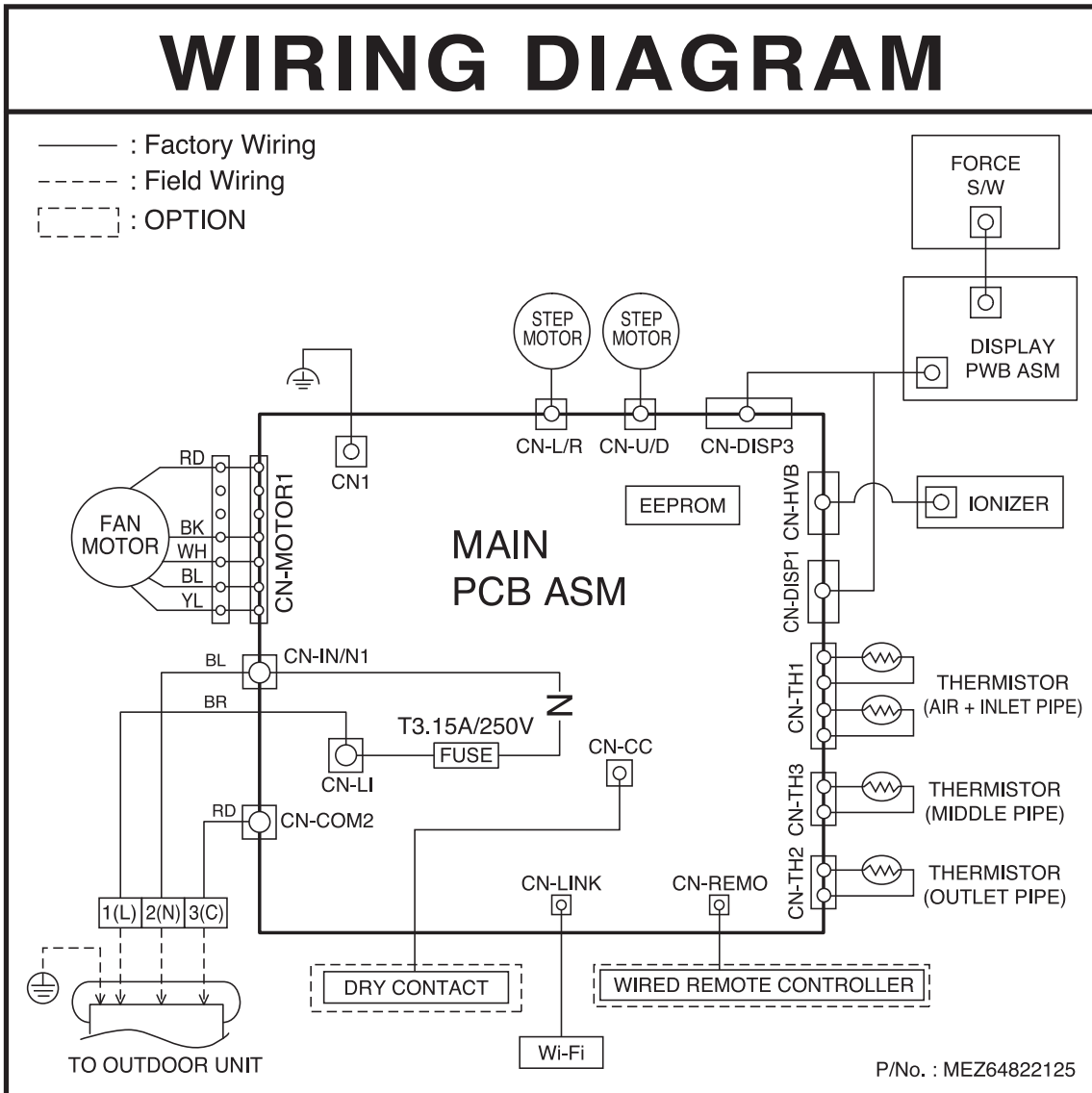
### AMNW07GSJL0 [DM07RP NSJ]





# 5. Wiring Diagrams

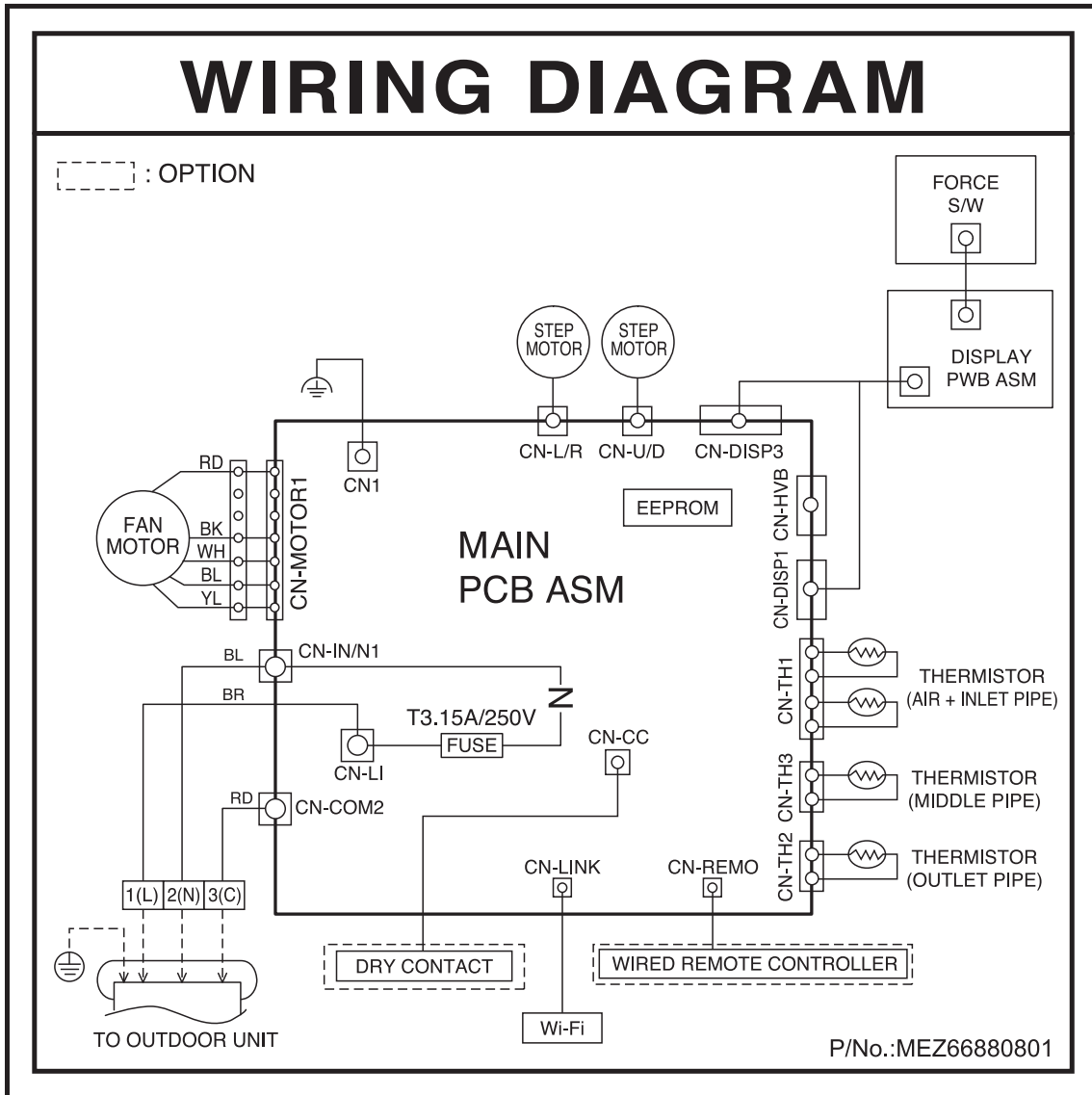
◆ ASNW09GJ1Z0 [DM09RP NSJ], ASNW12GJ1Z0 [DM12RP NSJ], ASNW18GK1Z0 [DM18RP NSK], ASNW24GK1Z0 [DM24RP NSK]



# 5. Wiring Diagrams

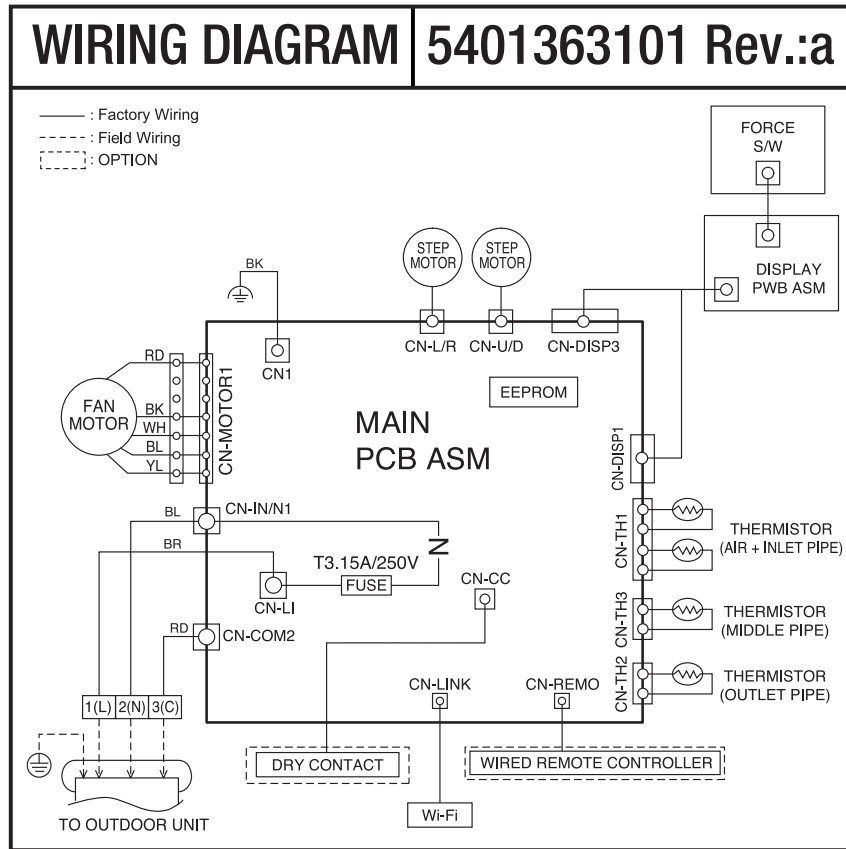
■ Standard plus

◆ AMNW05GSJB0 [PM05SP NSJ], AMNW07GSJB0 [PM07SP NSJ], ESNW09GJ2F0 [PM09SP NSJ], ESNW12GJ2F0 [PM12SP NSJ], ESNW18GK2F0 [PM18SP NSK], ESNW24GK2F0 [PM24SP NSK]



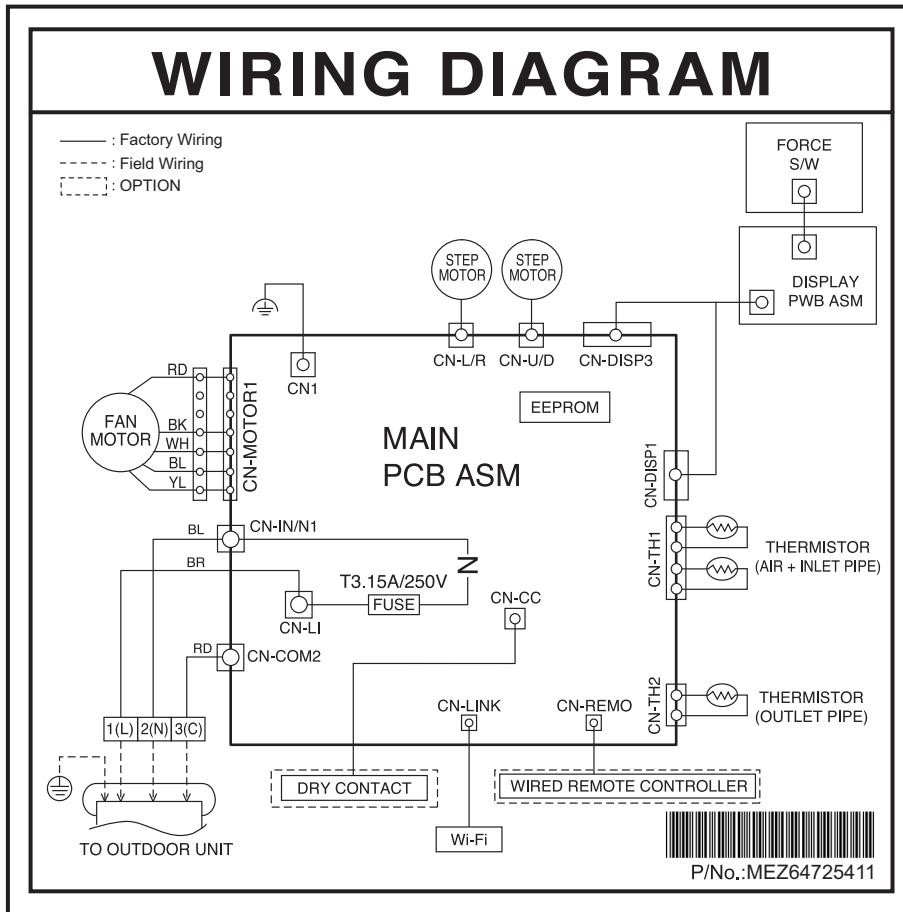
# 5. Wiring Diagrams

◆ ZMNW15GJBW2 [PM15SK NSJ]



# 5. Wiring Diagrams

◆ ZMNW05GABW2 [PM05SK NSA], ZMNW07GABW2 [PM07SK NSA]



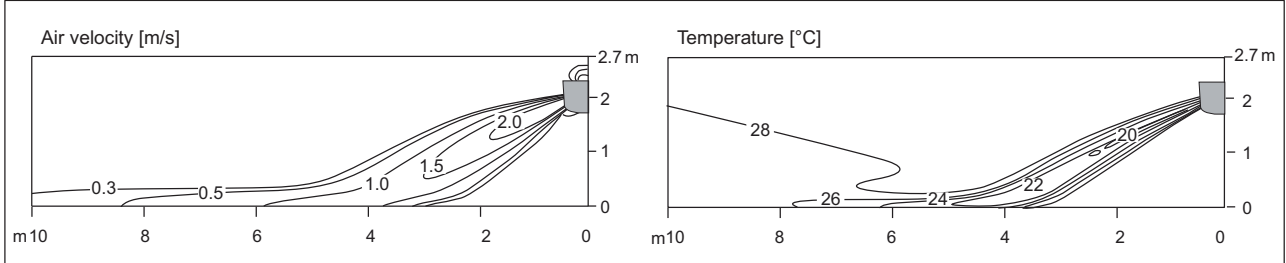
## 6. Air flow and temperature distributions (reference data)

■ Models : AMNW07GSJL0 [DM07RP NSJ], ASNW09GJ1Z0 [DM09RP NSJ]  
ASNW12GJ1Z0 [DM12RP NSJ]

### ◆ Cooling

#### Side View

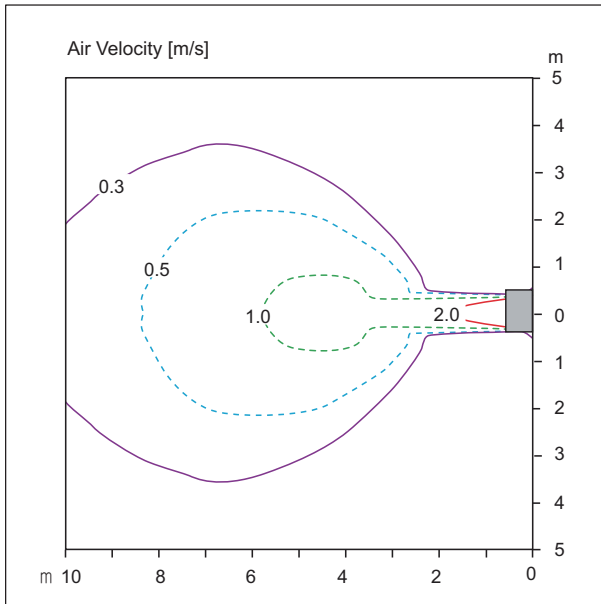
Discharge angle: 35°



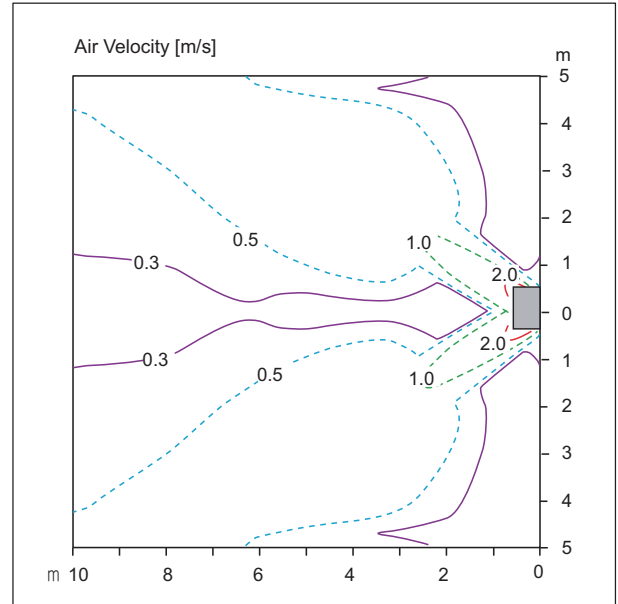
- Vertical Louver : Center
- Fan speed : Super High

#### Top View

Discharge angle: 35°



- Vertical Louver : Center
- Vertical Vane : 0°
- Fan speed : Super High
- Air speed 0.3m/s Range : 11.0m



- Vertical Louver : Left & Right
- Vertical Vane : 55°
- Fan speed : Super High

### Note

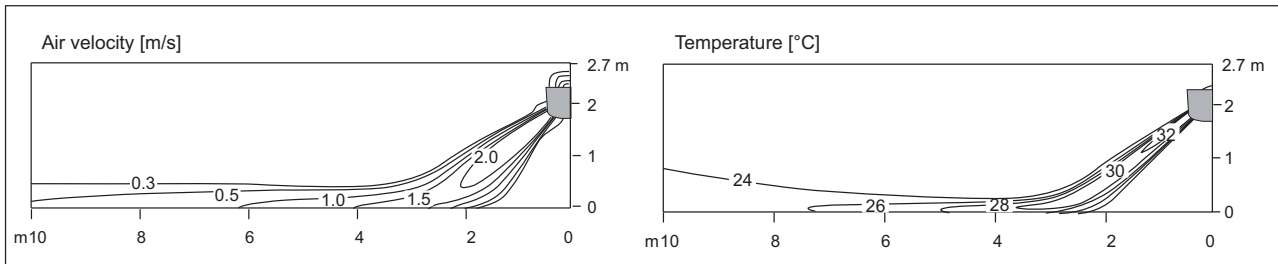
- These figures are accordance with normal certain condition and environment. (Airflow step is 'Super High', Air discharge angle is fixed as indicated angle.)
- Indoor airflow distribution under actual installation or operating conditions depends on ambient temperature, ceiling height, product installation direction / location, indoor / Heating load, and other obstacles, etc.

## 6. Air flow and temperature distributions (reference data)

### ◆ Heating

#### Side View

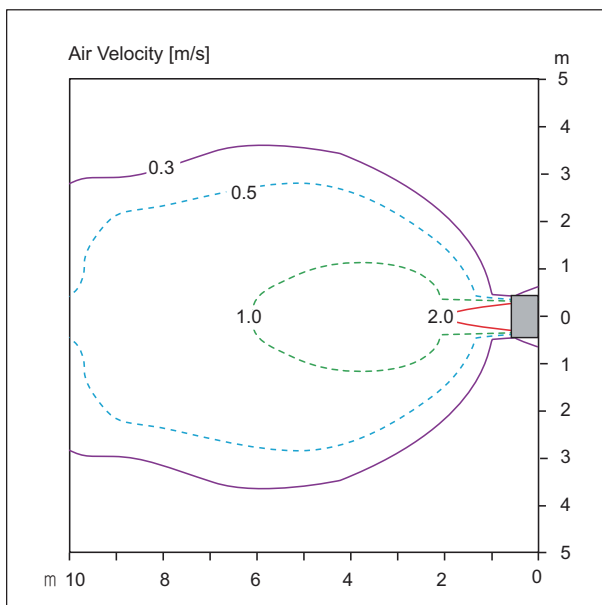
Discharge angle: 55°



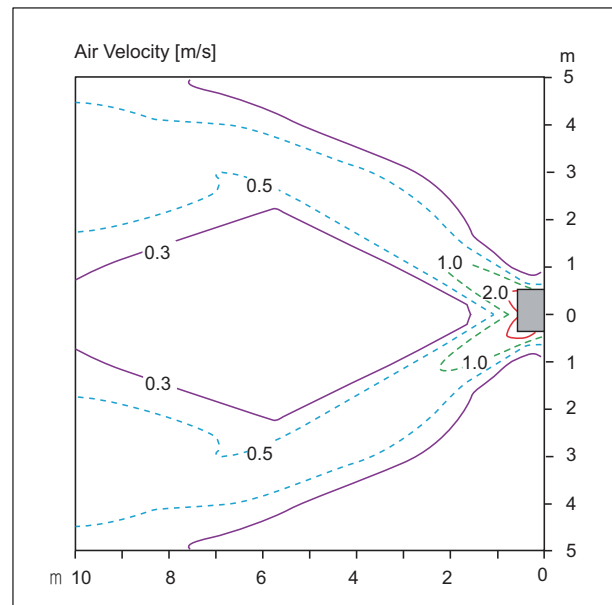
- Vertical Louver : Center
- Fan speed : Super High

#### Top View

Discharge angle: 55°



- Vertical Louver : Center
- Vertical Vane : 0°
- Fan speed : Super High
- Air speed 0.3m/s Range : 13.2m



- Vertical Louver : Left & Right
- Vertical Vane : 55°
- Fan speed : Super High

### Note

- These figures are accordance with normal certain condition and environment. (Airflow step is 'Super High', Air discharge angle is fixed as indicated angle.)
- Indoor airflow distribution under actual installation or operating conditions depends on ambient temperature, ceiling height, product installation direction / location, indoor / Heating load, and other obstacles, etc.

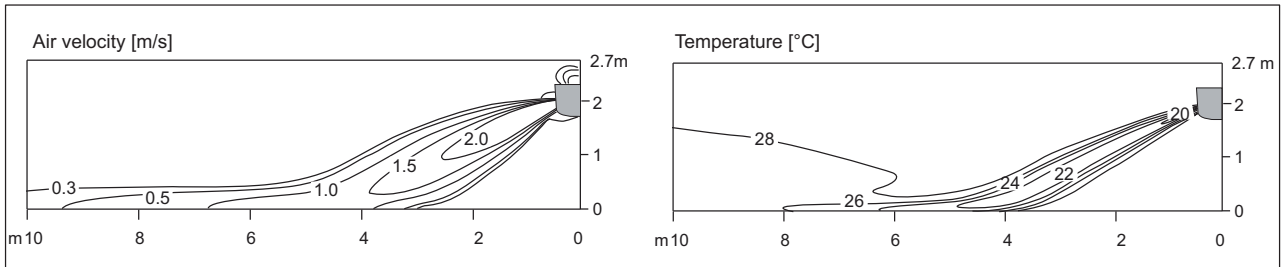
## 6. Air flow and temperature distributions (reference data)

- Models : AMNW05GSJB0 [PM05SP NSJ], AMNW07GSJB0 [PM07SP NSJ], ESNW09GJ2F0 [PM09SP NSJ], ESNW12GJ2F0 [PM12SP NSJ], ZMNW15GJBW2 [PM15SK NSJ]

### ◆ Cooling

#### Side View

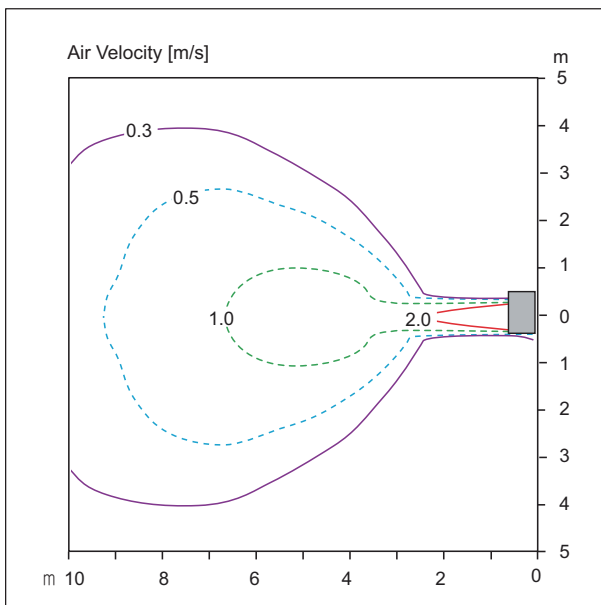
Discharge angle: 35°



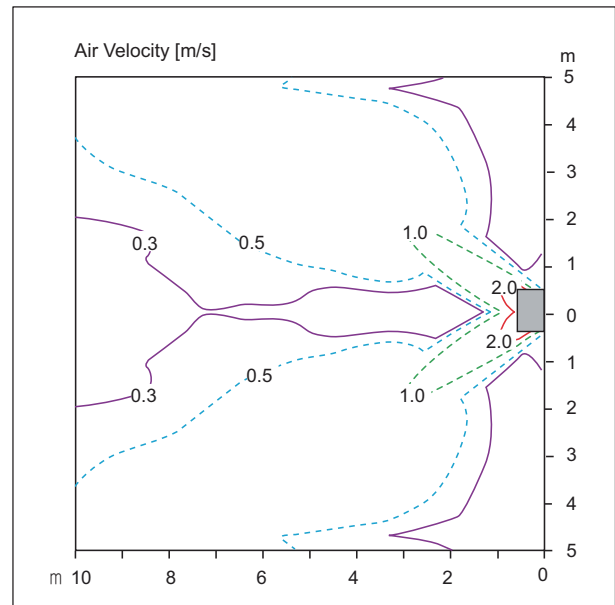
- Vertical Louver : Center
- Fan speed : Super High

#### Top View

Discharge angle: 35°



- Vertical Louver : Center
- Vertical Vane : 0°
- Fan speed : Super High
- Air speed 0.3m/s Range : 11.5m



- Vertical Louver : Left & Right
- Vertical Vane : 55°
- Fan speed : Super High

### Note

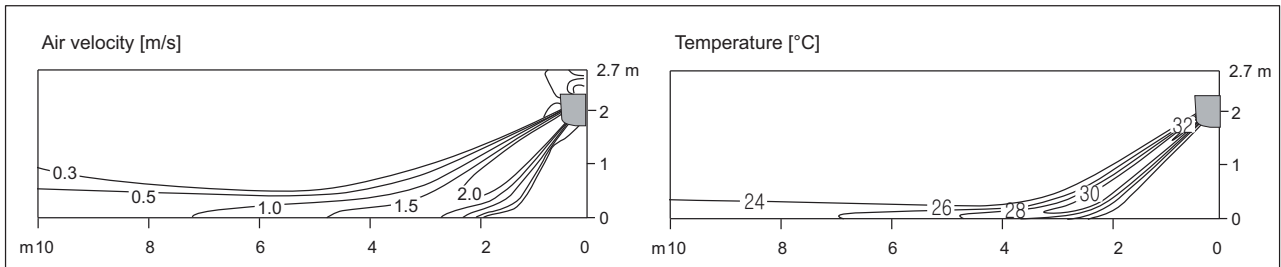
- These figures are accordance with normal certain condition and environment. (Airflow step is 'Super High', Air discharge angle is fixed as indicated angle.)
- Indoor airflow distribution under actual installation or operating conditions depends on ambient temperature, ceiling height, product installation direction / location, indoor / Heating load, and other obstacles, etc.

## 6. Air flow and temperature distributions (reference data)

### ◆ Heating

#### Side View

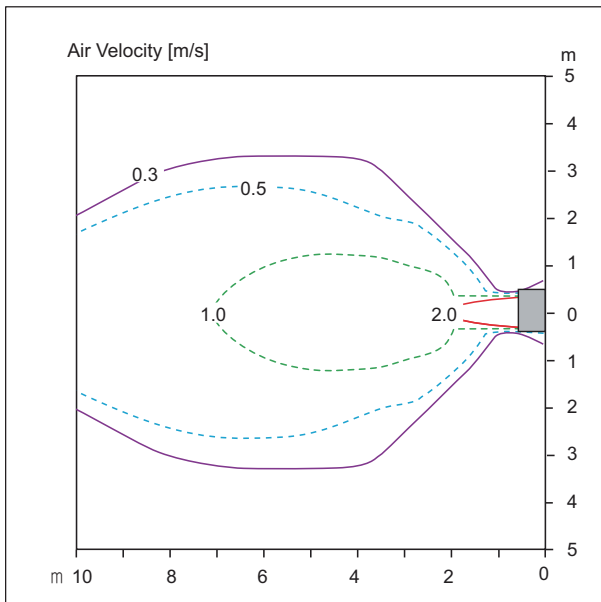
Discharge angle: 55°



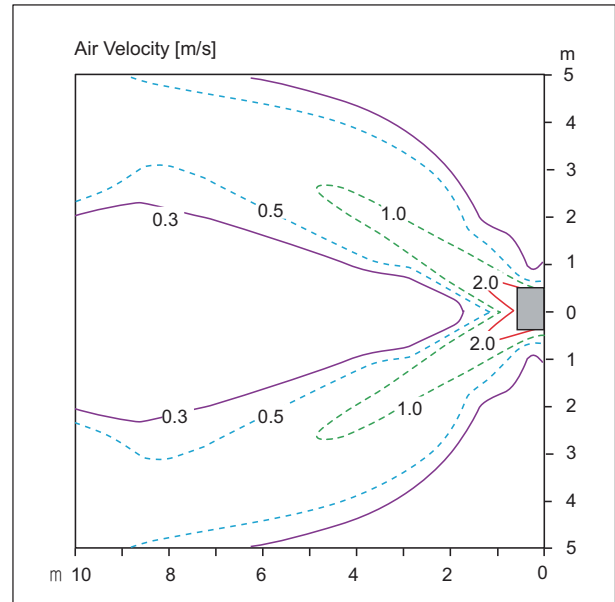
- Vertical Louver : Center
- Fan speed : Super High

#### Top View

Discharge angle: 55°



- Vertical Louver : Center
- Vertical Vane : 0°
- Fan speed : Super High
- Air speed 0.3m/s Range : 13.5m



- Vertical Louver : Left & Right
- Vertical Vane : 55°
- Fan speed : Super High

### Note

- These figures are accordance with normal certain condition and environment. (Airflow step is 'Super High', Air discharge angle is fixed as indicated angle.)
- Indoor airflow distribution under actual installation or operating conditions depends on ambient temperature, ceiling height, product installation direction / location, indoor / Heating load, and other obstacles, etc.



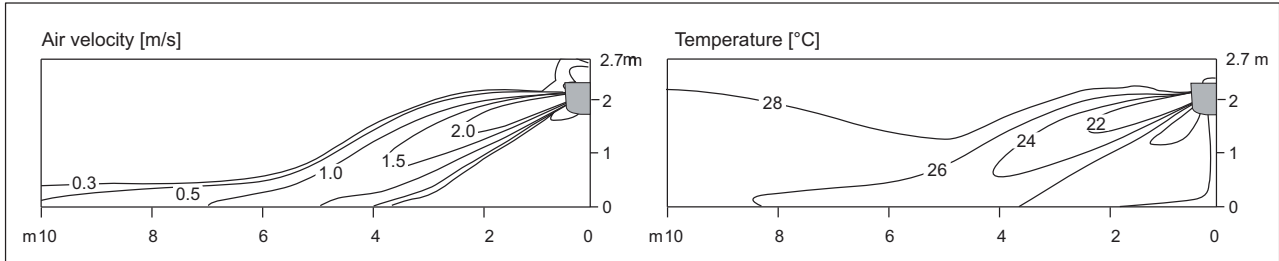
## 6. Air flow and temperature distributions (reference data)

### ■ Models : ASNW18GK1Z0 [DM18RP NSK], ESNW18GK2F0 [PM18SP NSK]

#### ◆ Cooling

##### Side View

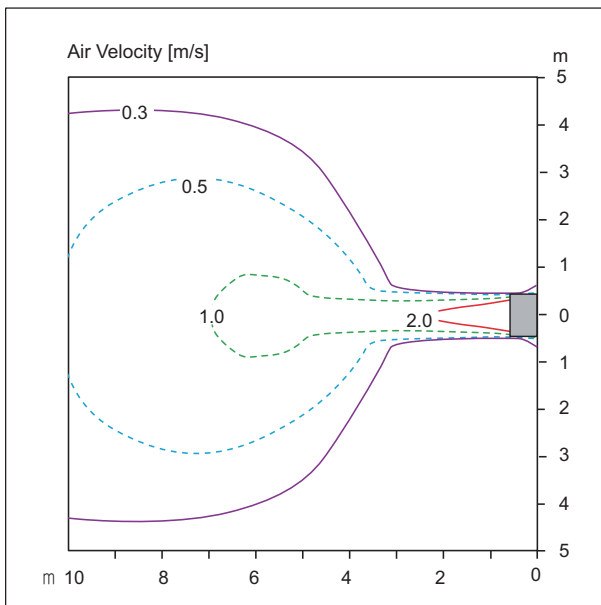
Discharge angle: 25°



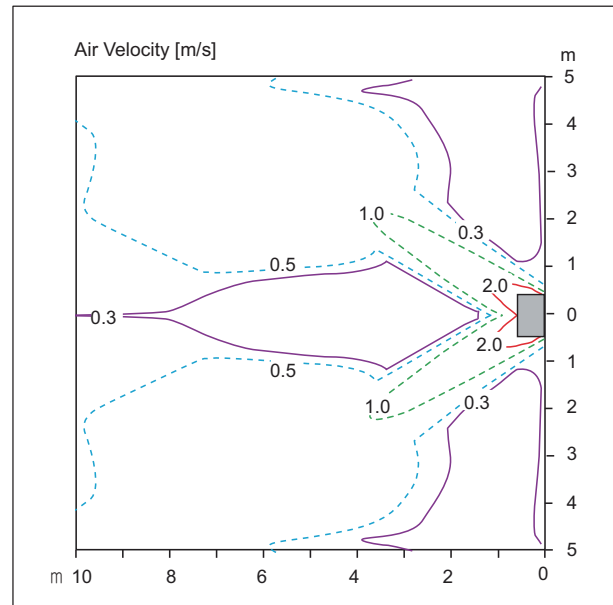
- Vertical Louver : Center
- Fan speed : Super High

##### Top View

Discharge angle: 25°



- Vertical Louver : Center
- Vertical Vane : 0°
- Fan speed : Super High
- Air speed 0.3m/s Range : 12.9m



- Vertical Louver : Left & Right
- Vertical Vane : 50°
- Fan speed : Super High

#### Note

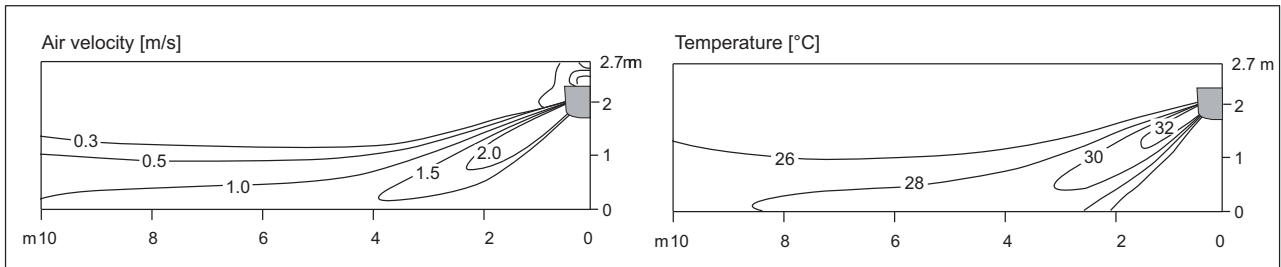
- These figures are accordance with normal certain condition and environment. (Airflow step is 'Super High', Air discharge angle is fixed as indicated angle.)
- Indoor airflow distribution under actual installation or operating conditions depends on ambient temperature, ceiling height, product installation direction / location, indoor / Heating load, and other obstacles, etc.

## 6. Air flow and temperature distributions (reference data)

### ◆ Heating

#### Side View

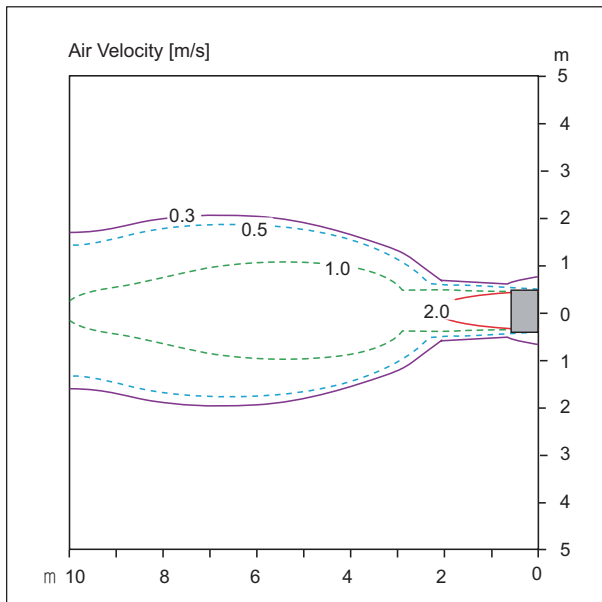
Discharge angle: 45°



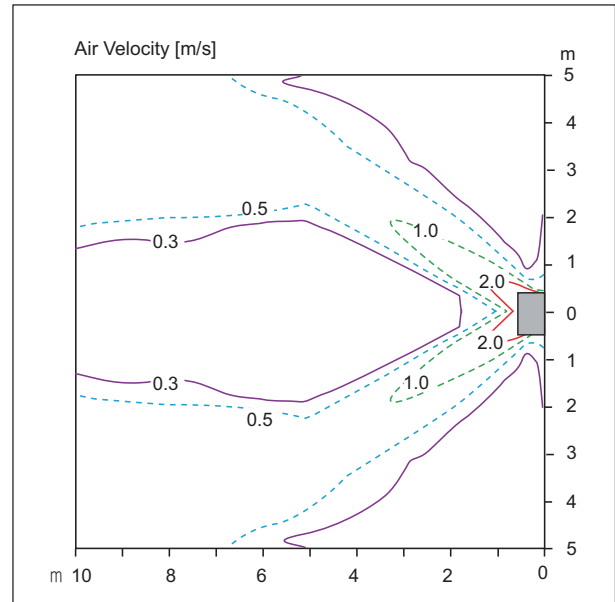
- Vertical Louver : Center
- Fan speed : Super High

#### Top View

Discharge angle: 45°



- Vertical Louver : Center
- Vertical Vane : 0°
- Fan speed : Super High
- Air speed 0.3m/s Range : 20.0m



- Vertical Louver : Left & Right
- Vertical Vane : 50°
- Fan speed : Super High

### Note

- These figures are accordance with normal certain condition and environment. (Airflow step is 'Super High', Air discharge angle is fixed as indicated angle.)
- Indoor airflow distribution under actual installation or operating conditions depends on ambient temperature, ceiling height, product installation direction / location, indoor / Heating load, and other obstacles, etc.

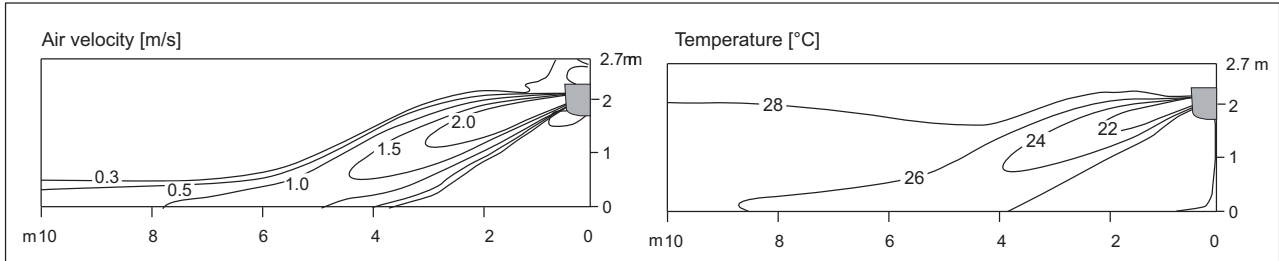
## 6. Air flow and temperature distributions (reference data)

### ■ Models : ASNW24GK1Z0 [DM24RP NSK], ESNW24GK2F0 [PM24SP NSK]

#### ◆ Cooling

##### Side View

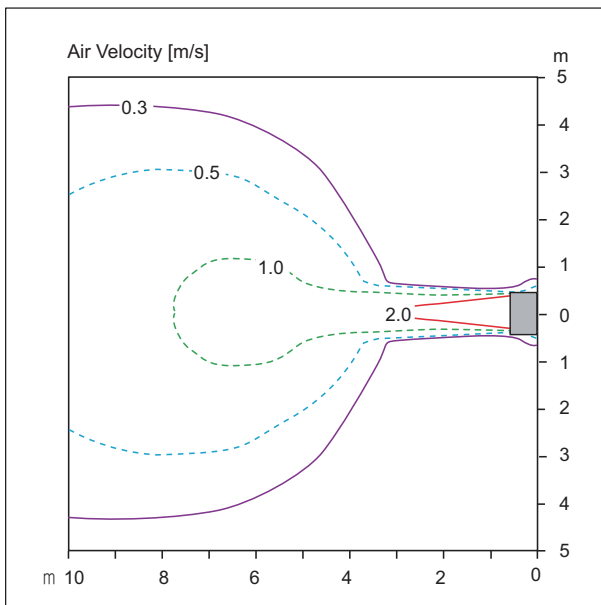
Discharge angle: 25°



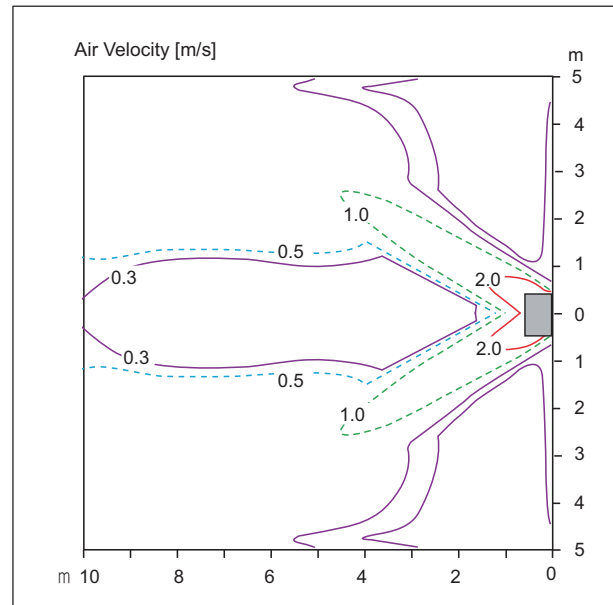
- Vertical Louver : Center
- Fan speed : Super High

##### Top View

Discharge angle: 25°



- Vertical Louver : Center
- Vertical Vane : 0°
- Fan speed : Super High
- Air speed 0.3m/s Range : 15.0m



- Vertical Louver : Left & Right
- Vertical Vane : 50°
- Fan speed : Super High

#### Note

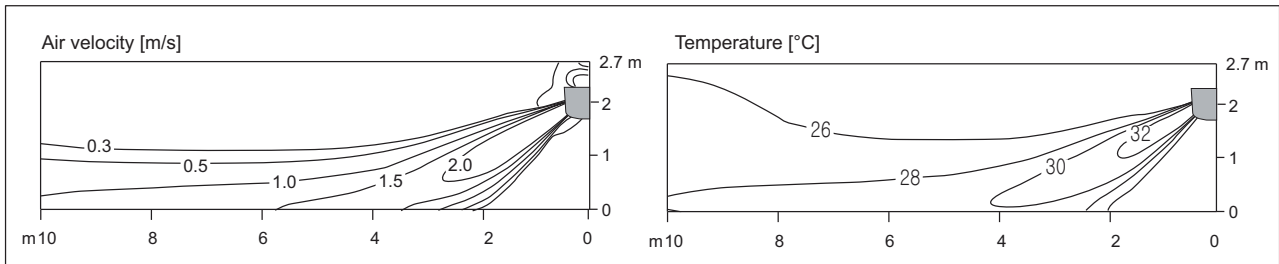
- These figures are accordance with normal certain condition and environment. (Airflow step is 'Super High', Air discharge angle is fixed as indicated angle.)
- Indoor airflow distribution under actual installation or operating conditions depends on ambient temperature, ceiling height, product installation direction / location, indoor / Heating load, and other obstacles, etc.

## 6. Air flow and temperature distributions (reference data)

### ◆ Heating

#### Side View

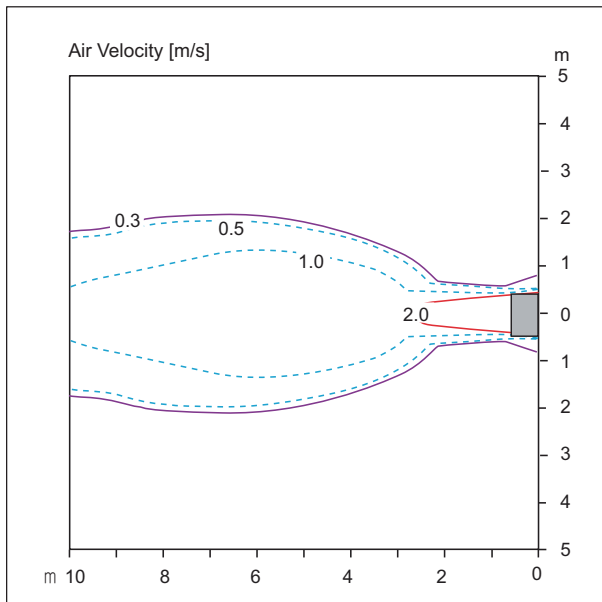
Discharge angle: 45°



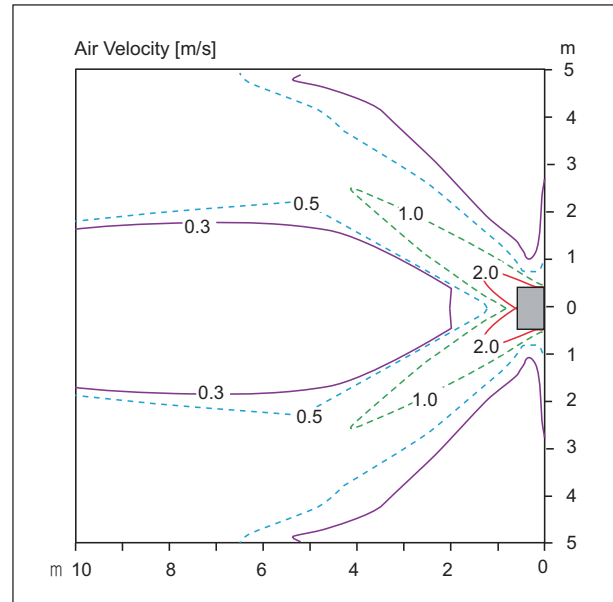
- Vertical Louver : Center
- Fan speed : Super High

#### Top View

Discharge angle: 45°



- Vertical Louver : Center
- Vertical Vane : 0°
- Fan speed : Super High
- Air speed 0.3m/s Range : 20.0m



- Vertical Louver : Left & Right
- Vertical Vane : 50°
- Fan speed : Super High

### Note

- These figures are accordance with normal certain condition and environment. (Airflow step is 'Super High', Air discharge angle is fixed as indicated angle.)
- Indoor airflow distribution under actual installation or operating conditions depends on ambient temperature, ceiling height, product installation direction / location, indoor / Heating load, and other obstacles, etc.

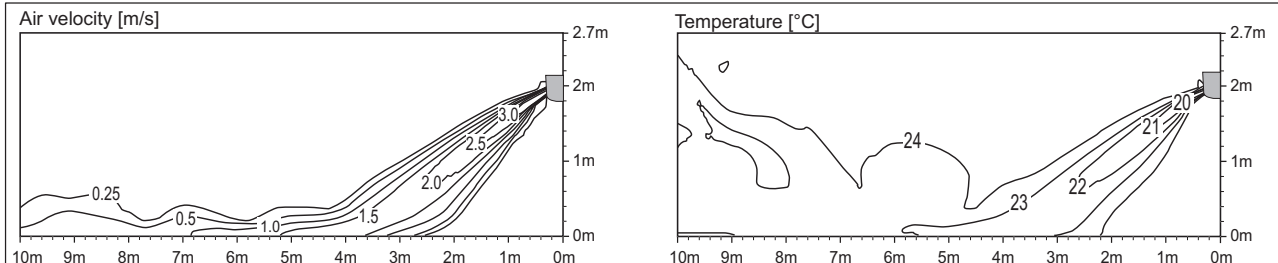
## 6. Air flow and temperature distributions (reference data)

### ■ Models : ZMNW05GABW2 [PM05SK NSA]

#### ◆ Cooling

##### Side View

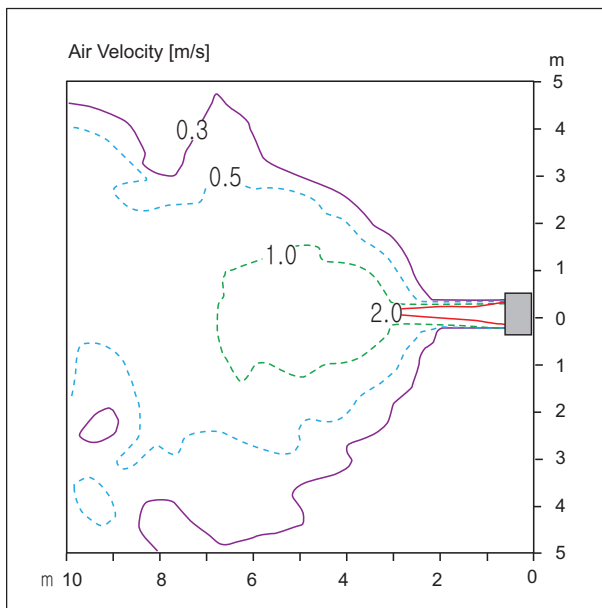
Discharge angle: 35°



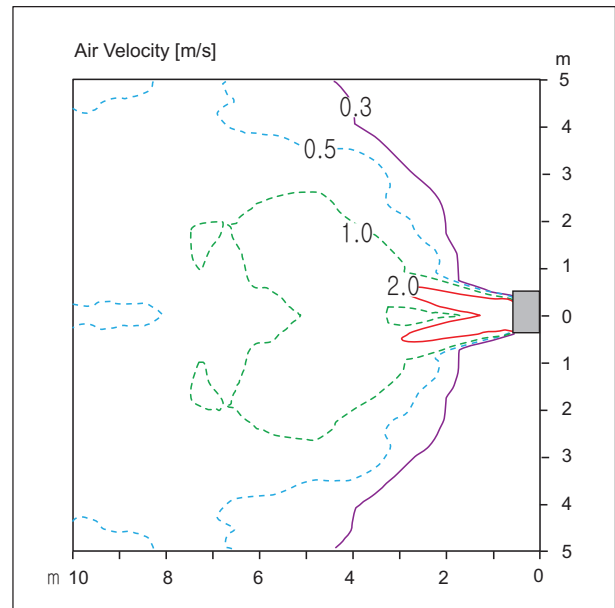
- Vertical Louver : Center
- Fan speed : Super High

##### Top View

Discharge angle: 35°



- Vertical Louver : Center
- Vertical Vane : 0°
- Fan speed : Super High
- Air speed 0.3m/s Range : 11.0m



- Vertical Louver : Left & Right
- Vertical Vane : 55°
- Fan speed : Super High

#### Note

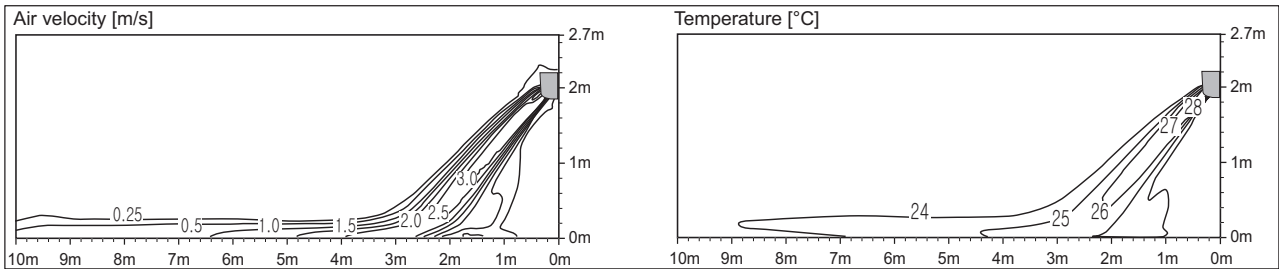
- These figures are accordance with normal certain condition and environment.  
(Airflow step is 'Super High', Air discharge angle is fixed as indicated angle.)
- Indoor airflow distribution under actual installation or operating conditions depends on ambient temperature, ceiling height, product installation direction / location, indoor / Heating load, and other obstacles, etc.

## 6. Air flow and temperature distributions (reference data)

### ◆ Heating

#### Side View

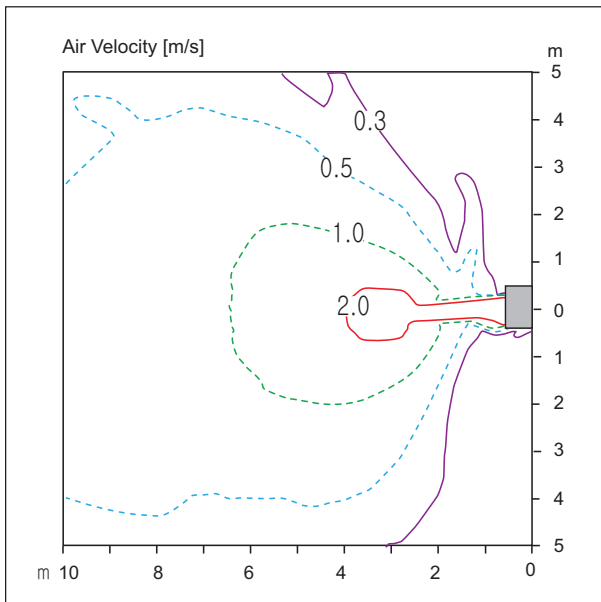
Discharge angle: 55°



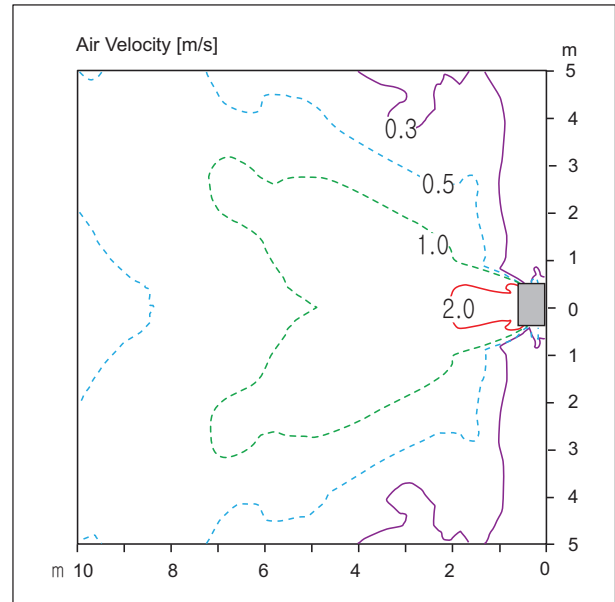
- Vertical Louver : Center
- Fan speed : Super High

#### Top View

Discharge angle: 55°



- Vertical Louver : Center
- Vertical Vane : 0°
- Fan speed : Super High
- Air speed 0.3m/s Range : 13.2m



- Vertical Louver : Left & Right
- Vertical Vane : 55°
- Fan speed : Super High

### Note

- These figures are accordance with normal certain condition and environment. (Airflow step is 'Super High', Air discharge angle is fixed as indicated angle.)
- Indoor airflow distribution under actual installation or operating conditions depends on ambient temperature, ceiling height, product installation direction / location, indoor / Heating load, and other obstacles, etc.

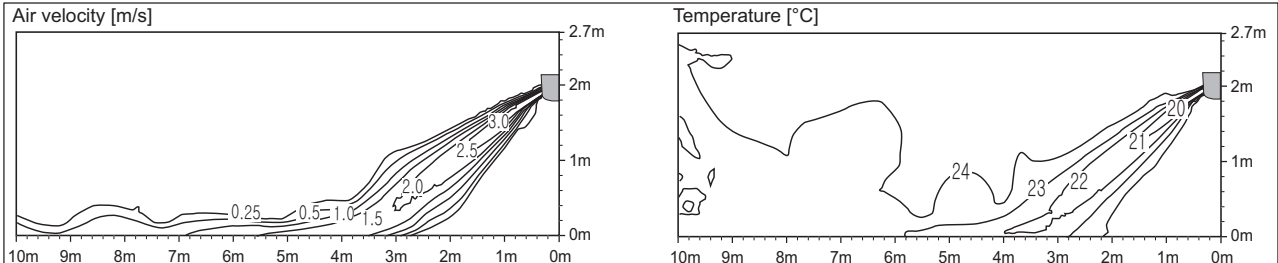
## 6. Air flow and temperature distributions (reference data)

### ■ Models : ZMNW07GABW2 [PM07SK NSA]

#### ◆ Cooling

##### Side View

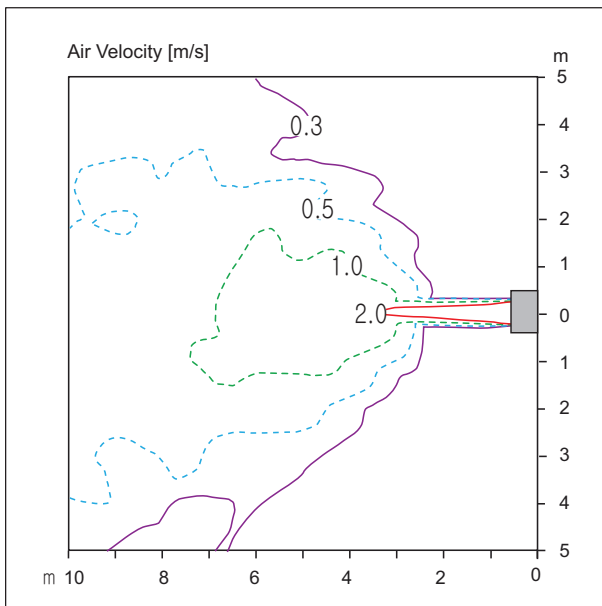
Discharge angle: 35°



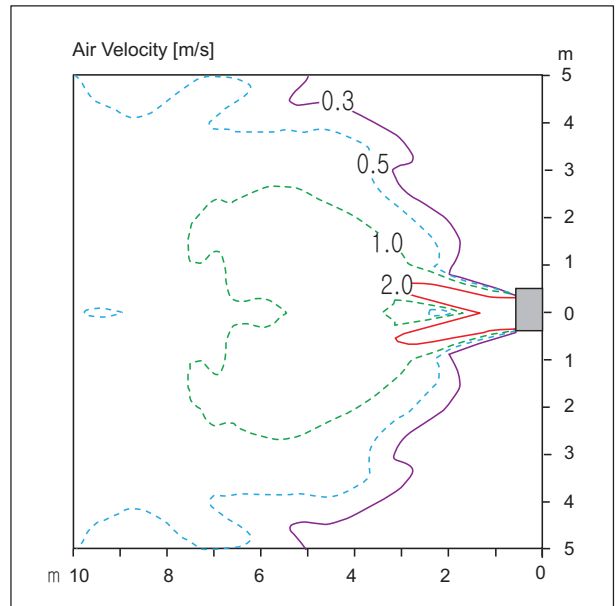
- Vertical Louver : Center
- Fan speed : Super High

##### Top View

Discharge angle: 35°



- Vertical Louver : Center
- Vertical Vane : 0°
- Fan speed : Super High
- Air speed 0.3m/s Range : 11.5m



- Vertical Louver : Left & Right
- Vertical Vane : 55°
- Fan speed : Super High

#### Note

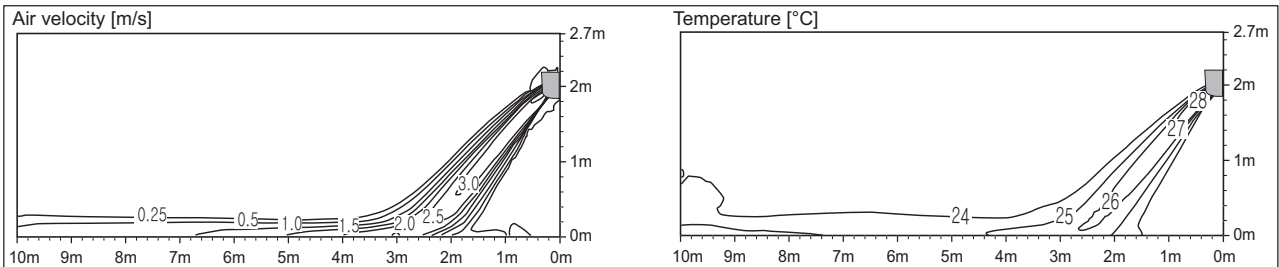
- These figures are accordance with normal certain condition and environment.  
(Airflow step is 'Super High', Air discharge angle is fixed as indicated angle.)
- Indoor airflow distribution under actual installation or operating conditions depends on ambient temperature, ceiling height, product installation direction / location, indoor / Heating load, and other obstacles, etc.

## 6. Air flow and temperature distributions (reference data)

### ◆ Heating

#### Side View

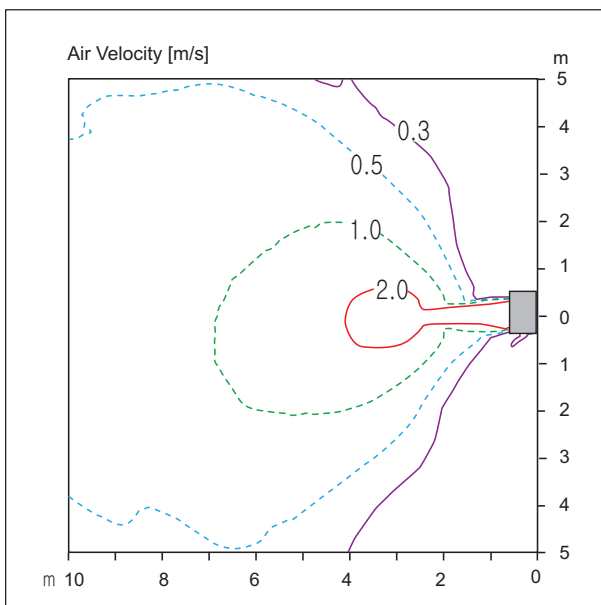
Discharge angle: 55°



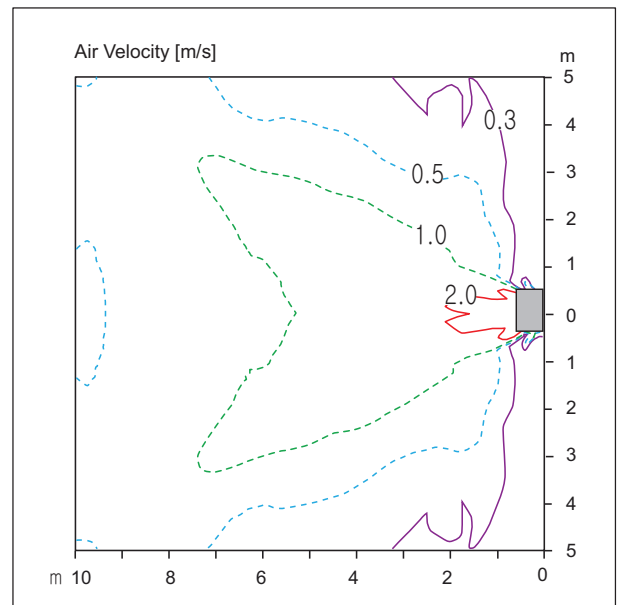
- Vertical Louver : Center
- Fan speed : Super High

#### Top View

Discharge angle: 55°



- Vertical Louver : Center
- Vertical Vane : 0°
- Fan speed : Super High
- Air speed 0.3m/s Range : 13.5m



- Vertical Louver : Left & Right
- Vertical Vane : 55°
- Fan speed : Super High

### Note

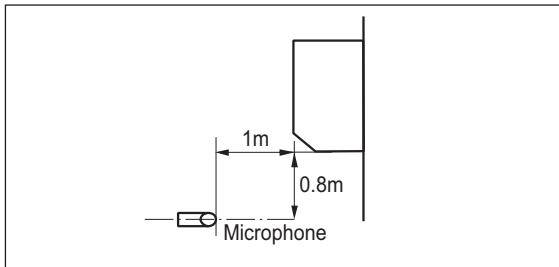
- These figures are accordance with normal certain condition and environment. (Airflow step is 'Super High', Air discharge angle is fixed as indicated angle.)
- Indoor airflow distribution under actual installation or operating conditions depends on ambient temperature, ceiling height, product installation direction / location, indoor / Heating load, and other obstacles, etc.



## 7. Sound levels

### 7.1 Sound pressure level

#### ■ Overall



#### Note

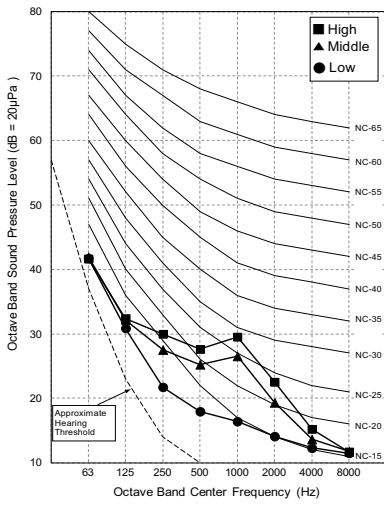
1. Sound measured at some distance away from the center of the unit.
2. Data is valid at free field condition.
3. Reference acoustic pressure 0dB = 20μPa.
4. Data is valid at nominal operation condition.  
Refer to the Model Specifications for nominal conditions (Power source and Ambient temperature, etc)
5. Sound levels can be increased in accordance with installation and operating conditions. (Static pressure mode, used air guide, Room target temperature setting, etc)
6. Sound level will vary depending on a range of factors such as the construction (acoustic absorption coefficient) of particular room in which the equipment is installed.
7. Sound pressure level is measured on the rated condition in the anechoic rooms. (LG Internal Standard)  
Therefore, these values can be increased owing to ambient conditions during operation.

Model	50Hz, 220-240V		
	Sound pressure Levels [dB(A)]		
	H	M	L
AMNW07GSJL0 [DM07RP NSJ]	35	31	26
ASNW09GJ1Z0 [DM09RP NSJ]	36	32	27
ASNW12GJ1Z0 [DM12RP NSJ]	38	34	29
ASNW18GK1Z0 [DM18RP NSK]	44	38	34
ASNW24GK1Z0 [DM24RP NSK]	47	41	36

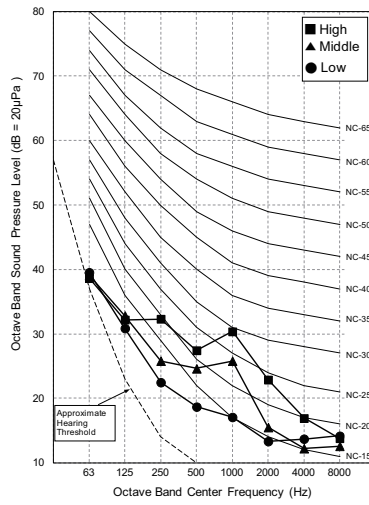
Model	50Hz, 220-240V		
	Sound pressure Levels [dB(A)]		
	H	M	L
AMNW05GSJB0 [PM05SP NSJ]	34	31	27
AMNW07GSJB0 [PM07SP NSJ]	35	32	27
ESNW09GJ2F0 [PM09SP NSJ]	36	33	27
ESNW12GJ2F0 [PM12SP NSJ]	40	35	27
ZMNW15GJBW2 [PM15SK NSJ]	41	36	29
ESNW18GK2F0 [PM18SP NSK]	44	38	35
ESNW24GK2F0 [PM24SP NSK]	46	41	36
ZMNW05GABW2 [PM05SK NSA]	36	31	27
ZMNW07GABW2 [PM07SK NSA]	37	32	27

# 7. Sound levels

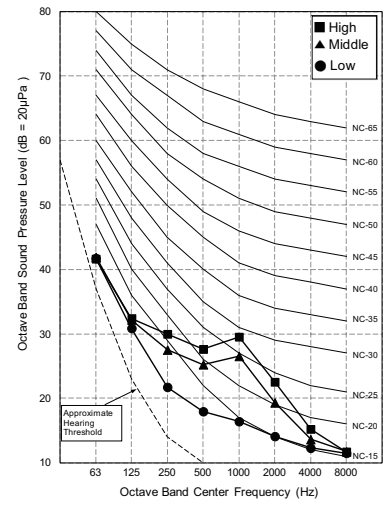
AMNW05GSJB0 [PM05SP NSJ]



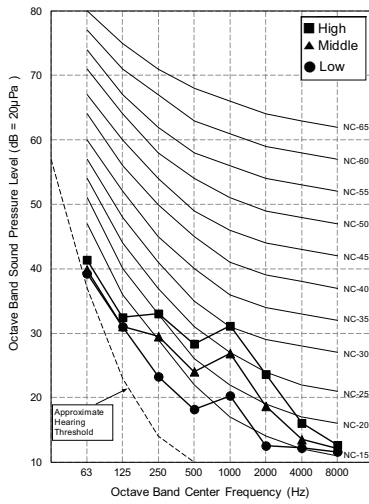
AMNW07GSJL0 [DM07RP NSJ]



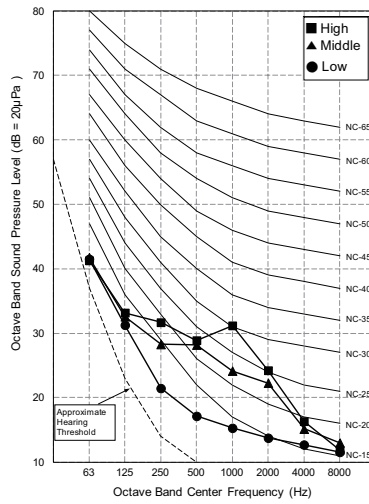
AMNW07GSJB0 [PM07SP NSJ]



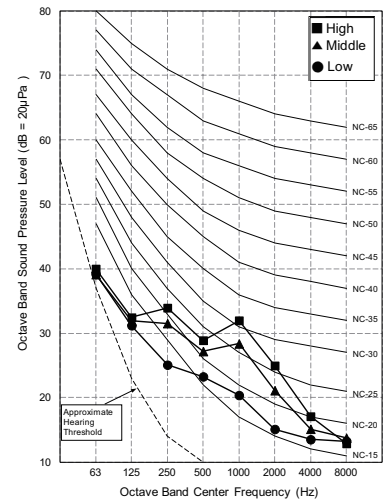
ASNW09GJ1Z0 [DM09RP NSJ]



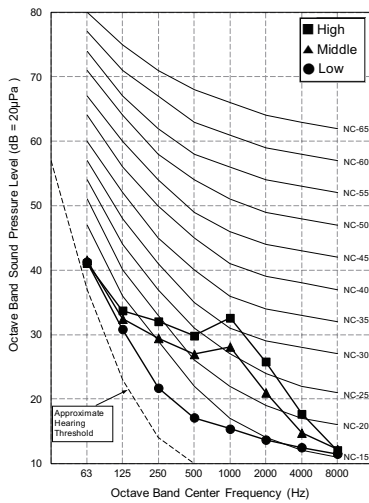
ESNW09GJ2F0 [PM09SP NSJ]



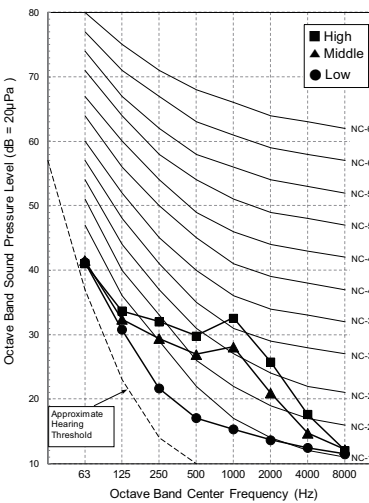
ASNW12GJ1Z0 [DM12RP NSJ]



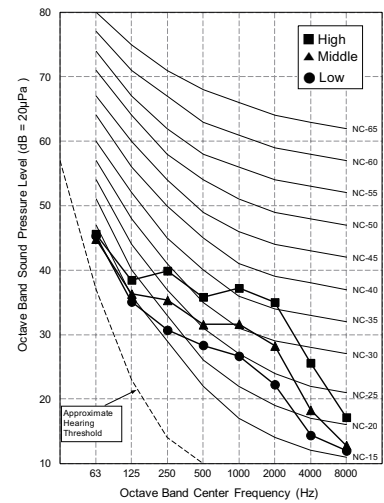
ESNW12GJ2F0 [PM12SP NSJ]



ZMNW15GJBW2 [PM15SK NSJ]

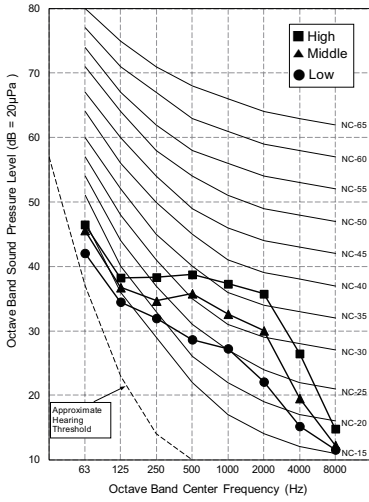


ASNW18GK1Z0 [DM18RP NSK]

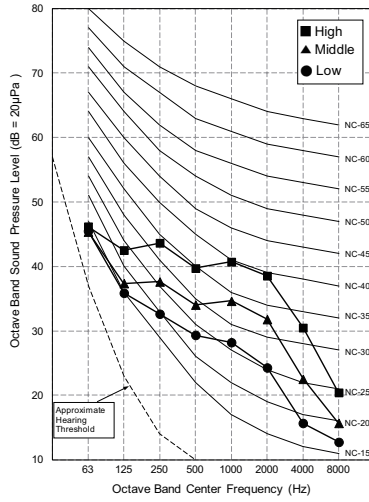


# 7. Sound levels

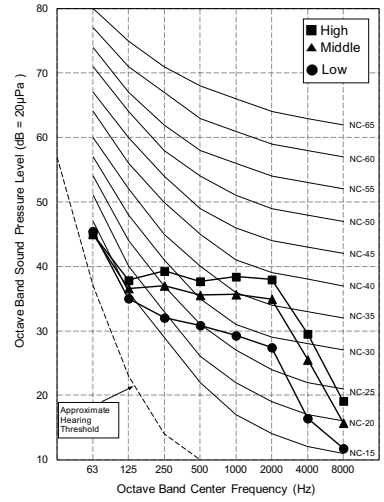
ESNW18GK2F0 [PM18SP NSK]



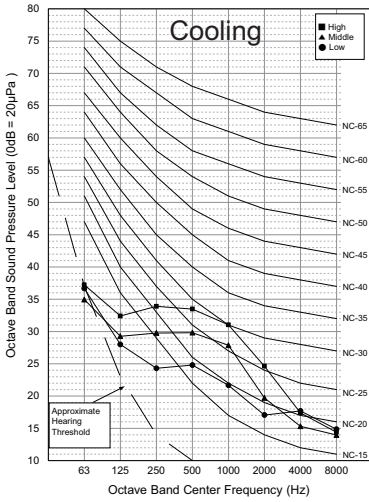
ASNW24GK1Z0 [DM24RP NSK]



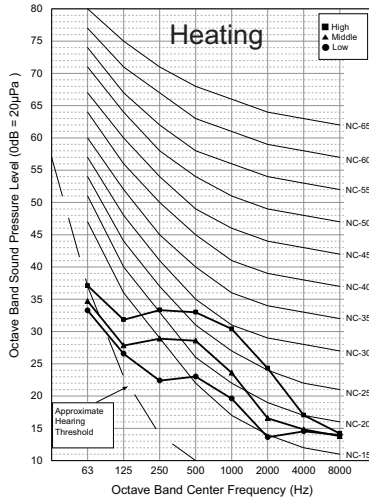
ESNW24GK2F0 [PM24SP NSK]



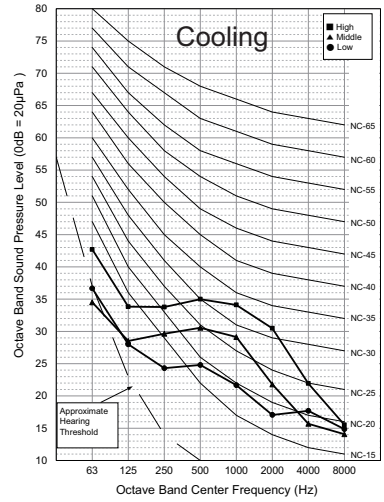
ZMNW05GABW2 [PM05SK NSA]



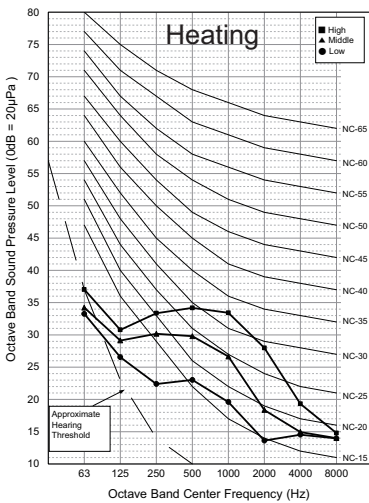
ZMNW05GABW2 [PM05SK NSA]



ZMNW07GABW2 [PM07SK NSA]



ZMNW07GABW2 [PM07SK NSA]



## 7. Sound levels

### 7.2 Sound power level

#### Note

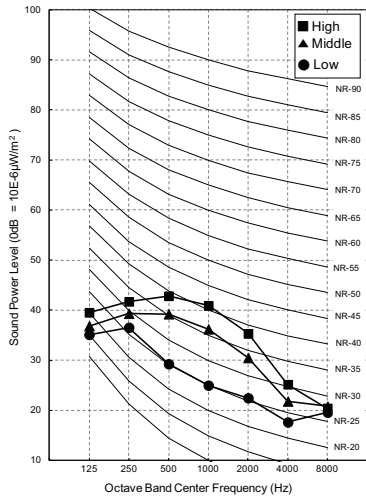
1. Data is valid at diffuse field condition.
2. Data is valid at nominal operation condition.  
Refer to the Model Specifications for nominal conditions(Power source and Ambient temperature, etc)
3. Sound level can be increased in static pressure mode or used air guide.
4. Sound level will vary depending on a range of factors such as the construction (acoustic absorption coefficient).
5. Reference acoustic intensity 0dB =  $10E-6\mu W/m^2$
6. Sound power level is measured on the rated condition in the reverberation rooms by ISO 3741 standard.  
Therefore, these values can be increased owing to ambient conditions during operation.

Model	Sound power Levels [dB(A)]
AMNW07GSJL0 [DM07RP NSJ]	56
ASNW09GJ1Z0 [DM09RP NSJ]	56
ASNW12GJ1Z0 [DM12RP NSJ]	56
ASNW18GK1Z0 [DM18RP NSK]	60
ASNW24GK1Z0 [DM24RP NSK]	64

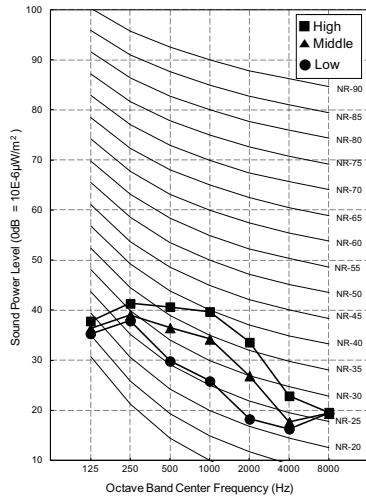
Model	Sound power Levels [dB(A)]
AMNW05GSJB0 [PM05SP NSJ]	57
AMNW07GSJB0 [PM07SP NSJ]	57
ESNW09GJ2F0 [PM09SP NSJ]	57
ESNW12GJ2F0 [PM12SP NSJ]	57
ZMNW15GJBW2 [PM15SK NSJ]	57
ESNW18GK2F0 [PM18SP NSK]	59
ESNW24GK2F0 [PM24SP NSK]	65
ZMNW05GABW2 [PM05SK NSA]	57
ZMNW07GABW2 [PM07SK NSA]	57

# 7. Sound levels

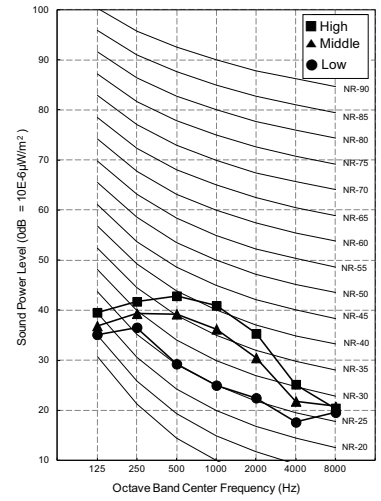
AMNW05GSJB0 [PM05SP NSJ]



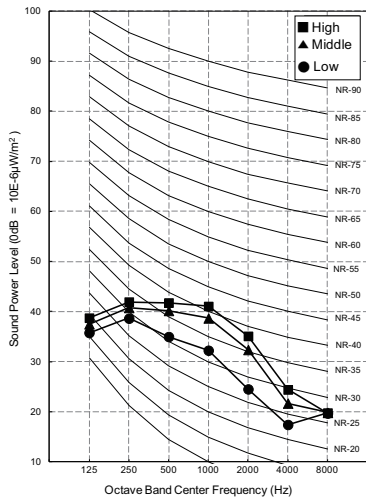
AMNW07GSJL0 [DM07RP NSJ]



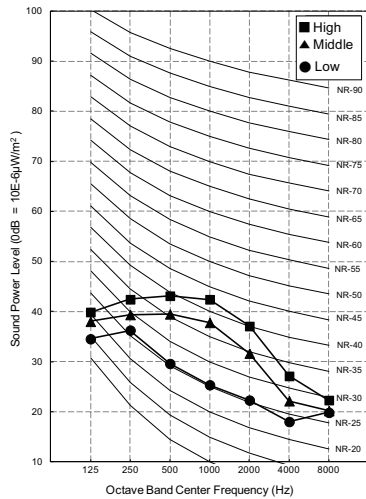
AMNW07GSJB0 [PM07SP NSJ]



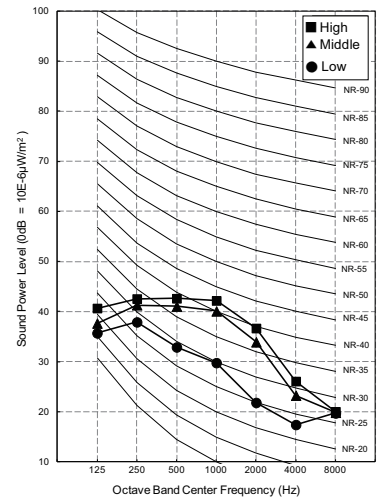
ASNW09GJ1Z0 [DM09RP NSJ]



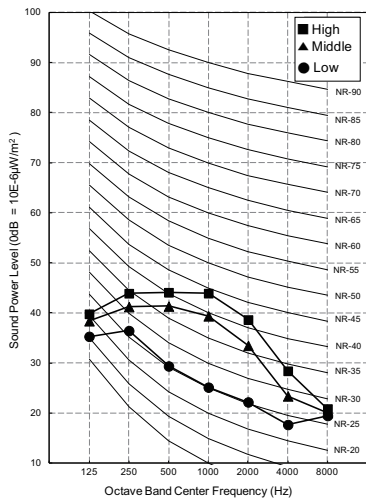
ESNW09GJ2F0 [PM09SP NSJ]



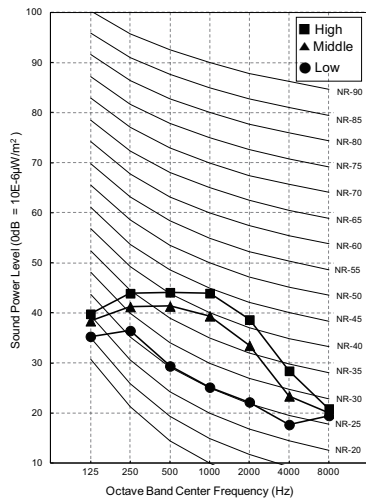
ASNW12GJ1Z0 [DM12RP NSJ]



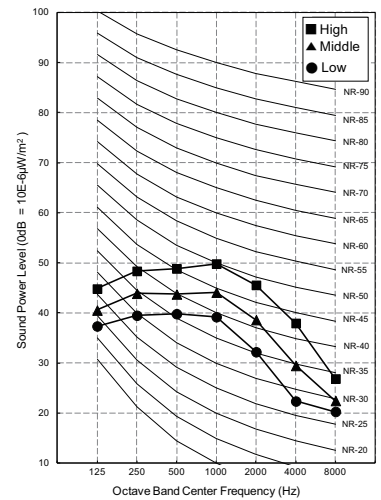
ESNW12GJ2F0 [PM12SP NSJ]



ZMNW15GJBW2 [PM15SK NSJ]

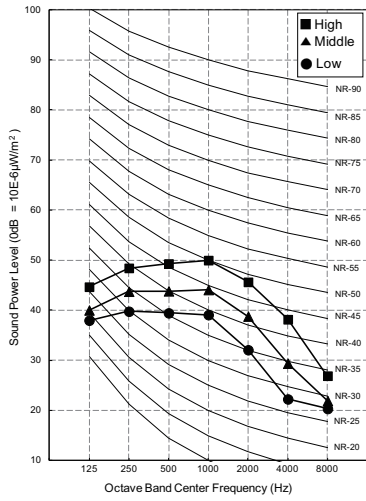


ASNW18GK1Z0 [DM18RP NSK]

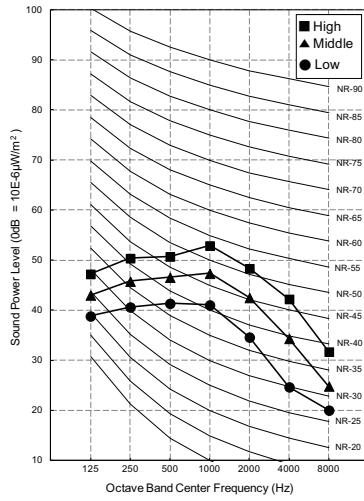


# 7. Sound levels

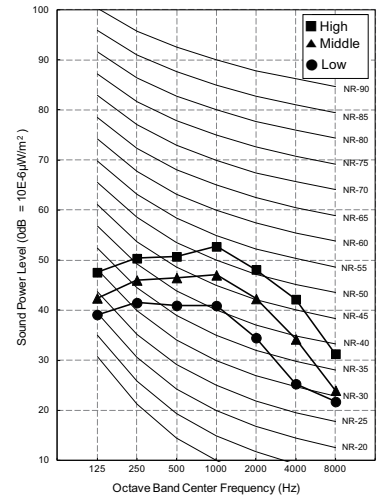
ESNW18GK2F0 [PM18SP NSK]



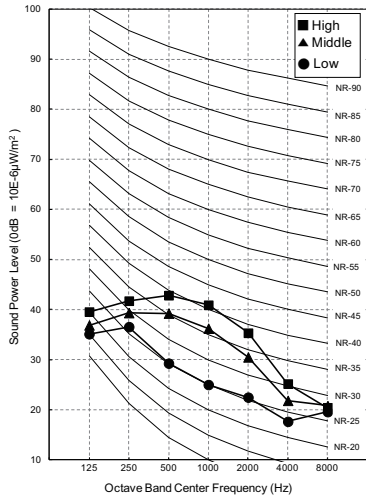
ASNW24GK1Z0 [DM24RP NSK]



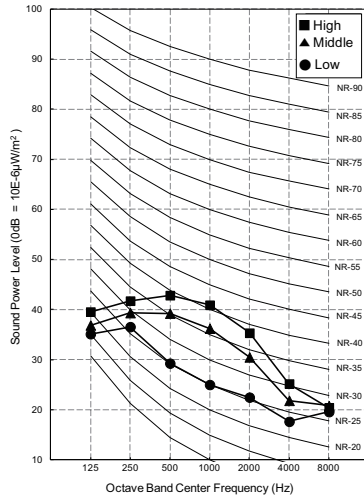
ESNW24GK2F0 [PM24SP NSK]



ZMNW05GABW2 [PM05SK NSA]



ZMNW07GABW2 [PM07SK NSA]

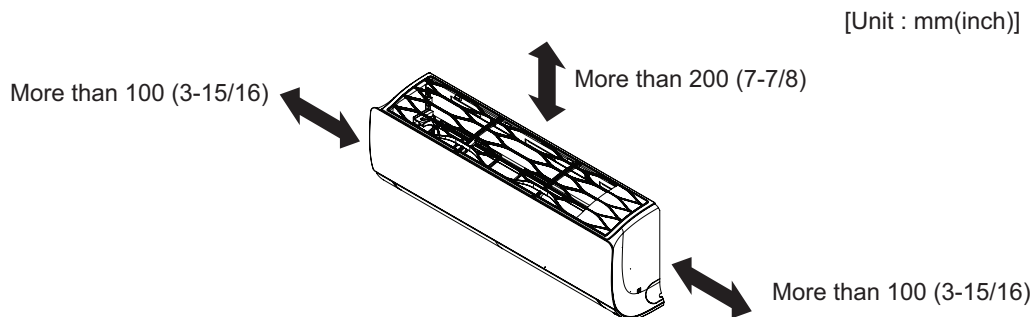


## 8. Installation

- Please read the instruction sheets completely before installing the product.
- When the power cord is damaged, replacement work shall be performed by authorized personnel only.
- Installation work must be performed in accordance with the national wiring standards.
- Teach the customer the operation and maintenance procedures, using the operation manual. (air filter cleaning, temperature control, etc.)

### 8.1 Selection of the best location

- The unit must be installed indoor area.
- Do not install the unit near the door.
- There should not be any obstacles to the air circulation or installation. Ensure the spaces from the wall, ceiling, or other obstacles.
- The place where the indoor unit can be connected with outdoor unit easily.
- The place where the unit is leveled.
- The place shall allow easy water drainage.
- The place where bear a load exceeding four times of the indoor unit weight.
- The mounting ceiling or wall should be solid enough to protect it from the vibration.
- The place where the unit is not affected by an electrical noise.
- The place where noise prevention is taken into consideration.
- The place where the maintenance space for product is sufficient.
- There should not be any heat source or steam near the unit.



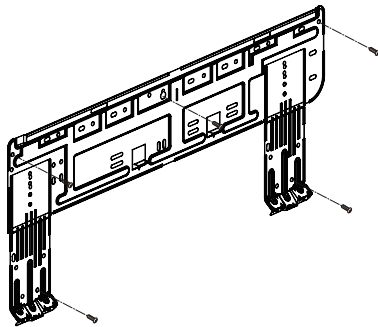


## 8. Installation

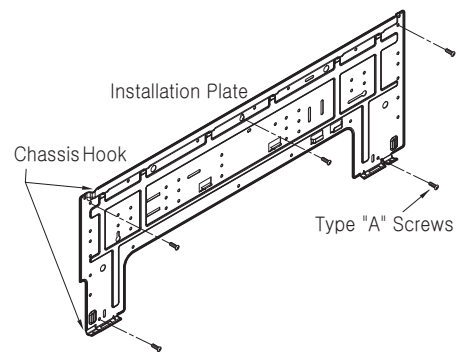
### ■ Fixing Installation Plate

- The wall you select should be strong and solid enough to prevent vibration.
  1. Mount the installation plate on the wall with type "A" screws which are provided with product. (Refer to the Installation manual.) If mounting the unit on a concrete wall, use anchor bolts.
    - Mount the installation plate horizontally by aligning the centerline using Horizontal meter.
  2. Measure the wall and mark the centerline. It is also important to use caution concerning the location of the installation plate. Routing of the wiring to power outlets is through the walls typically. Drilling the hole through the wall for piping connections must be done safely.

**SJ Chassis**

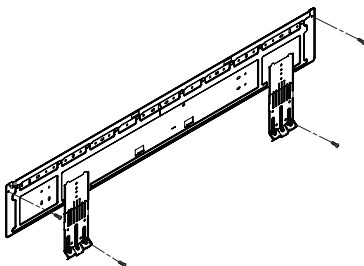


**SK Chassis**

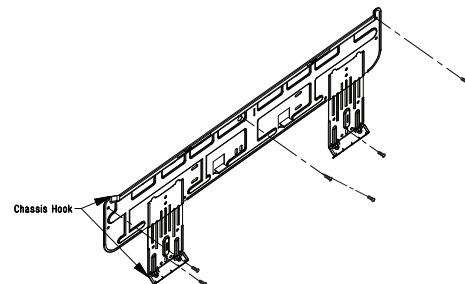


\* According to product type, model line up, sales region..etc, applicability of each chassis could be different.

**SR Chassis**



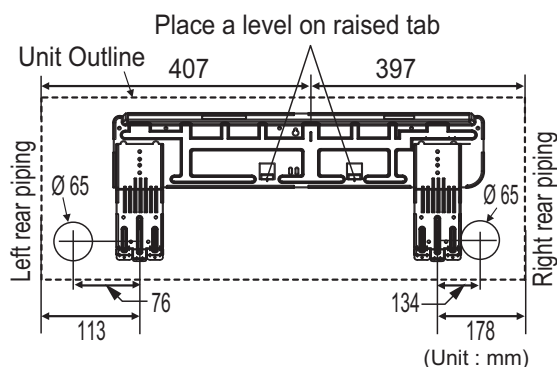
**SA Chassis**



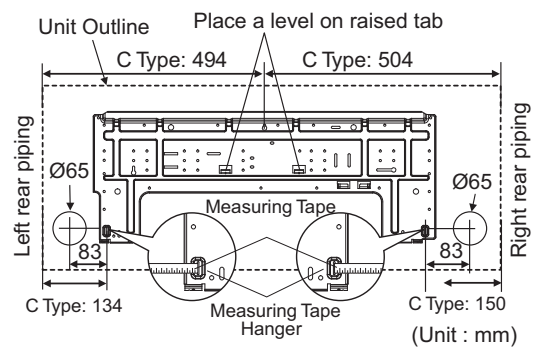
\* According to product type, model line up, sales region..etc, applicability of each chassis could be different.

### ■ The lower left and the right side piping of Installation Plate

**SJ chassis**



**SK chassis**

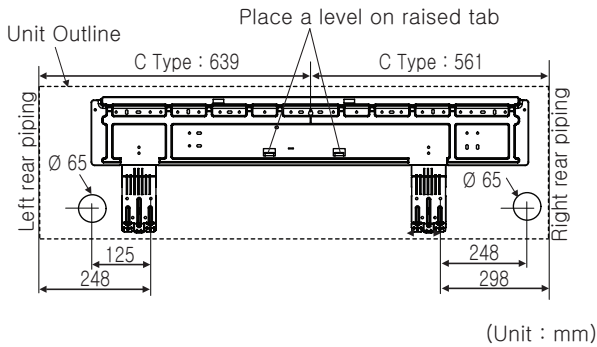


\* According to product type, model line up, sales region..etc, applicability of each chassis could be different.

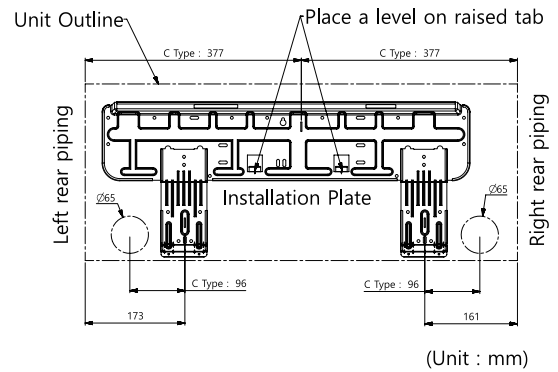


## 8. Installation

**SR chassis**



**SA chassis**



\* According to product type, model line up, sales region..etc, applicability of each chassis could be different.

### **CAUTION**

In case that the unit is installed near the sea, the installation parts may be corroded by salt. The installation parts (and the unit) should be taken appropriate anti-corrosion measures.

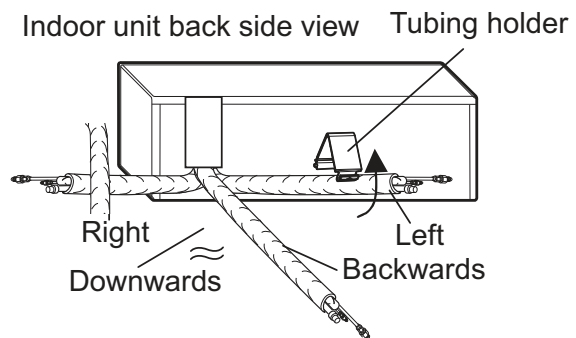
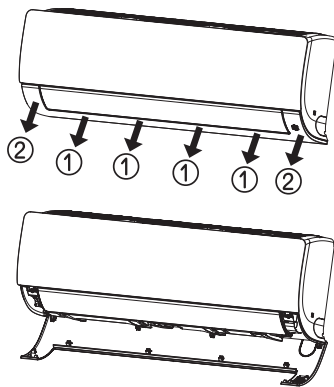
## 8. Installation

### 8.2 Connection of pipes and cables

#### 8.2.1 Preparing work for installation

##### ■ SJ/SK/SR/SA chassis

1. Pull the cover at the bottom of the indoor unit. Pull the cover ①→②.
2. Remove the chassis cover from the unit.
3. Pull back the tubing holder.
4. Remove pipe port cover and positioning the tubing.

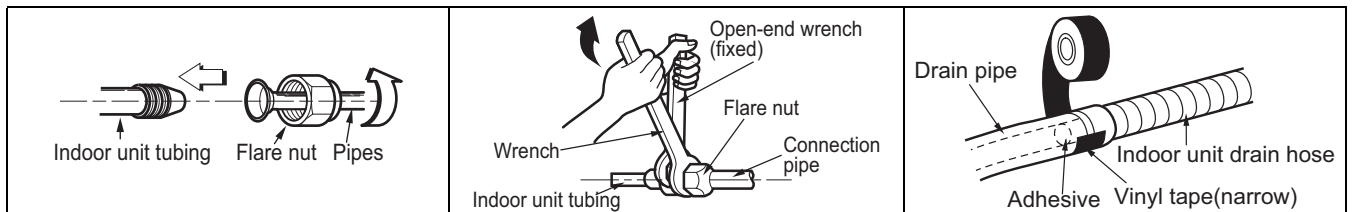


※ The feature can be changed according to type of model.

\* The feature can be changed according to type of model.

\* According to product type, model line up, sales region..etc, applicability of each chassis could be different.

##### ■ Connecting the installation pipe and drain hose

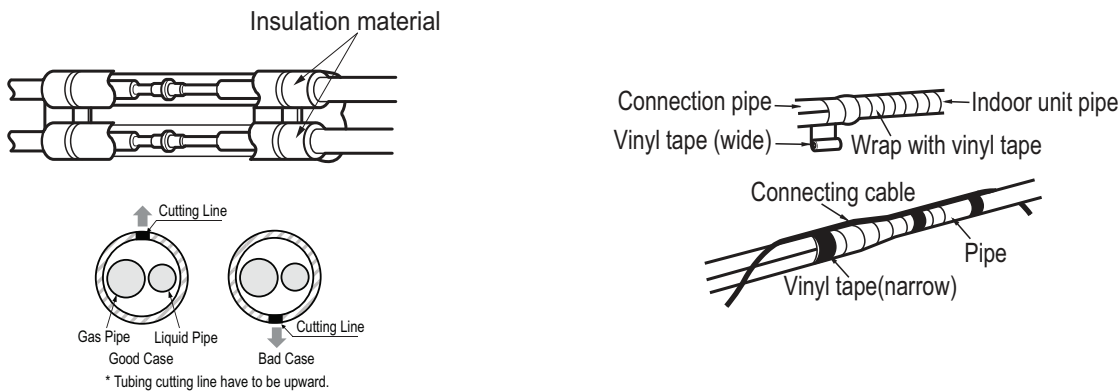


1. Align the center of the pipes and sufficiently tighten the flare nut by hand.
2. Tighten the flare nut with a wrench.
3. When needed to extend the drain hose of indoor unit, assembly the drain pipe as shown on the drawing.

##### ■ Wrap the insulation material around the connecting portion.

1. Overlap the connection pipe insulation material and the indoor unit pipe insulation material. Bind them together with vinyl tape so that there may be no gap.
2. Set the tubing cutting line upward. Wrap the area which accommodates the rear piping housing section with vinyl tape.
3. Bundle the piping and drain hose together by wrapping them with vinyl tape sufficient enough to cover where they fit into the rear piping housing section. Be sure that the drain hose is located at the lowest side of the bundle. Locating at the upper side can cause overflow from the drain pan through the inside of the unit.

## 8. Installation



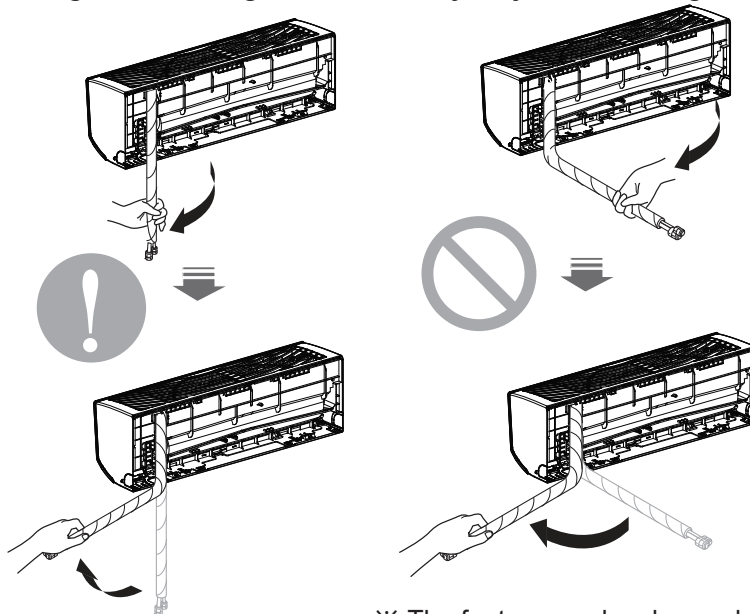
### ⚠ CAUTION

If the drain hose is routed inside the room insulate the hose with an insulation material\* so that dripping from sweating condensation) will not damage furniture or floors.

\* Foamed polyethylene or equivalent is recommended.

### ⚠ CAUTION

- Press on the tubing cover and unfold the tubing to downward slowly. And then bend to the left side slowly.
- Following bending case from right to left directly may cause damage to the tubing.



※ The feature can be changed according to type

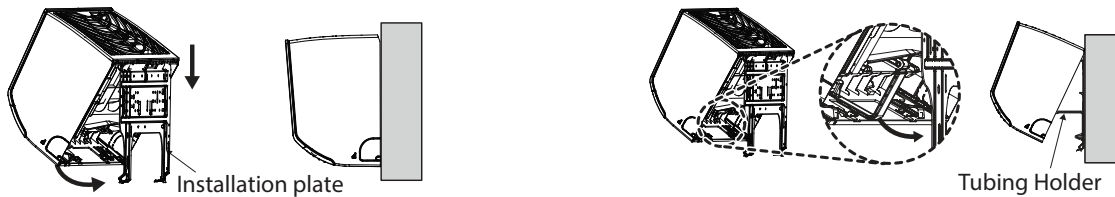
- Installation Information. For right piping. Follow the instruction above.

### 8.2.2 Installation of Indoor Unit

#### ■ Seat the indoor unit on the installation plate

1. Hook the indoor unit onto the upper portion of the installation plate.(engage the three hooks at the top of the indoor unit with the upper edge of the installation plate) Ensure that the hooks are properly seated on the installation plate by moving it left and right
2. Unlock the tubing holder from the chassis and mount between the chassis and installation plate in order to separate the bottom side of the indoor unit from the wall.

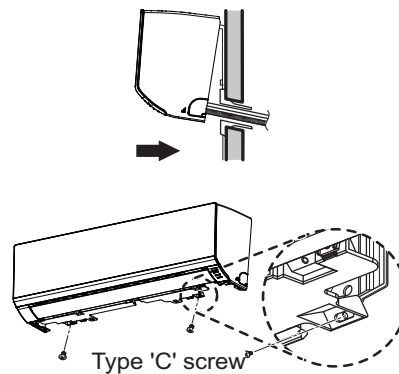
## 8. Installation



\* The feature can be changed according to type of model.

### 8.2.3 Finishing the indoor unit installation

1. Mount the tubing holder in the original position.
2. Ensure that the hooks are properly seated on the installation plate by moving it left and right.
3. Press the lower left and right sides of the unit against the installation plate until the hooks engage into their slots (clicking sound).
4. Finish the assembly by screwing the unit to the installation plate by using two pieces of type "C" screws. And assemble a chassis cover. (SJ/SK chassis) Recover the chassis cover in Original place. (SV chassis)



\* The feature can be changed according to type of model.

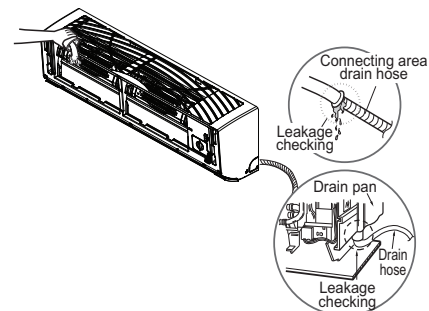
#### **CAUTION**

- The indoor unit can be dropped from the wall, the indoor unit is not screwed correct position on the install plate.
- To avoid the gap between the indoor unit and wall , screw the indoor unit to the install plate correctly.

### 8.2.4 Checking the Drainage

#### ◆ To check the drainage.

1. Pour a glass of water on the evaporator.
2. Ensure the water flows through the drain hose of the indoor unit without any leakage and goes out the drain exit.

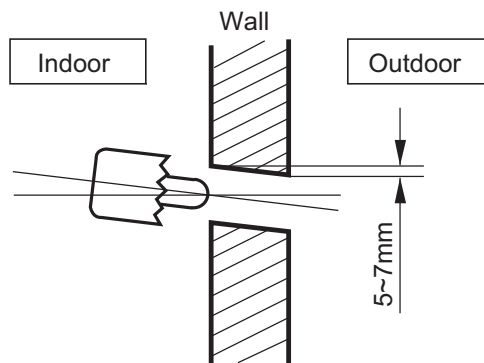


\* The feature can be changed according to type of model.

## 8. Installation

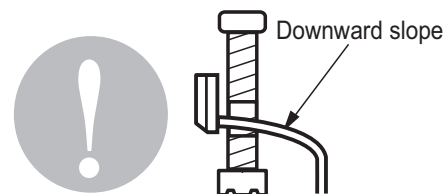
### ◆ Drill a Hole in the wall

1. Drill the piping hole with a  $\varnothing$  70mm hole core drill.  
Drill the piping hole at either the right or the left with the holes slightly slanted to the outdoor side.

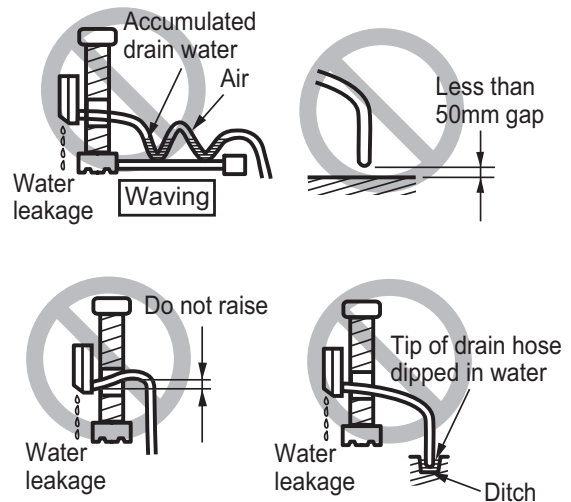


### ◆ Drain Piping

1. The drain hose should point downward for easy drain flow



2. Do not make drain piping like the following.



\* The feature can be changed according to type of model.

## 8. Installation

---

### 8.3 Wiring the cable to the indoor units

#### 8.3.1 General instructions

- All field supplied parts and materials, electric works must conform to local codes. Use copper wire only.
- Follow the "**WIRING DIAGRAM**" attached to the unit body to wire the outdoor unit, indoor units and the remote controller.
- All wiring must be performed by an authorized electrician.
- A circuit breaker capable of shutting down the power supply to the entire system must be installed.

#### CAUTION

After the confirmation of the above conditions, prepare the wiring as follows:

- Never fail to have separate power specially for the air conditioner.
- Provide a circuit breaker switch between power source and the unit.
- Confirm the Specification of power source.
- Confirm that electrical capacity is sufficient.
- Be sure that the starting voltage is maintained at more than 90 percent of the rated voltage marked on the name plate.
- Confirm that the cable thickness is as specified in the power sources specification.  
(Particularly note the relation between cable length and thickness.)
- Do not install the leakage breaker in a place which is wet or moist.  
Water or moist may cause short circuit.
- The following troubles would be caused by voltage drop-down.
  - » Vibration of a magnetic switch, damage on the contact point there of, fuse breaking, disturbance to the normal function of a overload protection device.
  - » Proper starting power is not given to the compressor.

#### 8.3.2 Wiring connection

- Connect the wires to the terminals on the control board individually according to the outdoor unit connection.
- Ensure that the color of the wires of outdoor unit and the terminal No. are the same as those of indoor unit respectively.
- In case of the system with multiple indoor units, mark each indoor unit as unit A, unit B, etc and be sure the terminal board wiring to the outdoor unit and indoor units are properly matched. If wiring and piping between the outdoor unit and an indoor unit are mismatched, the system may cause a malfunction.

#### 8.3.3 Clamping of cables

1. Arrange 2 power cables on the control panel.
2. First, fasten the steel clamp with a screw to the inner boss of control panel.
3. For connecting of communication (transmission) cable, put the cable(or thinner cable) on the clamp and tighten it with a plastic clamp to the other boss of the control panel. In case that communication (transmission) cable is not needed to connect, fix the other side of the clamp with a screw strongly.

## 8. Installation

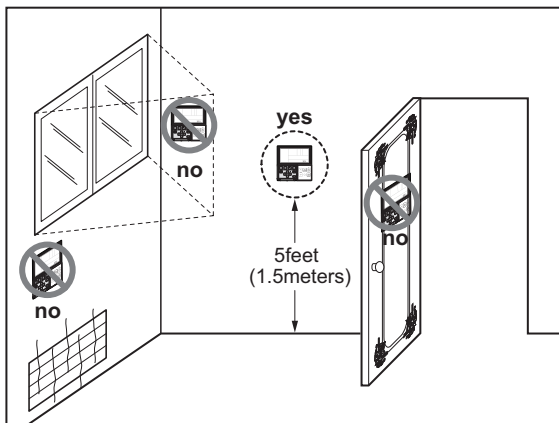
### **⚠ WARNING**

- Make sure that the screws of the terminal are fixed tightly.
- The screw which fasten the wiring in the casing of electrical fittings are liable to come loose from vibrations to which the unit is subjected during the course of transportation. Check them and make sure that they are all tightly fastened. (If they are loose, it could give rise to burn-out of the wires.)
- Make sure to attach the sealing material or (field supplied) to hole of wiring to prevent the infiltration of foreign particle from outside. Otherwise a short-circuit may occur inside the electric parts box.
- When clamping the wires, be sure no pressure is applied to the wire connections by using the included clamping material to make appropriate clamps. Also, when wiring, make sure the cover on the electric parts box fits snugly by arranging the wires neatly and attaching the electric parts box cover firmly. When attaching the electric parts box cover, make sure no wires get caught in the edges. Pass wiring through the wiring through holes to prevent damage to them.
- Make sure the remote controller wiring, the wiring between the units, and other electrical wiring do not pass through the same locations outside of the unit, separating them properly, otherwise electrical noise (external static) could cause product malfunction.

### 8.3.4 Wired Remote Controller Installation (Optional)

Since the room temperature sensor is in the remote controller, the remote controller box should be installed in a place away from direct sunlight, high humidity and direct supply of cold air to maintain proper space temperature.

Install the remote controller about 5ft(1.5m) above the floor in an area with good air circulation at an average temperature.



#### • Do not install the remote controller where it can be affected by :

- Drafts, or dead spots behind doors and in corners.
- Hot or cold air from ducts.
- Radiant heat from sun or appliances.
- Concealed pipes and chimneys.
- Uncontrolled areas such as an outside wall behind the remote controller.
- This remote controller is equipped with a seven segment LED. display. For proper display of the remote controller LED's, the remote controller should be installed properly. (The standard height is 1.2~1.5 m from floor level.)

# **MULTI/SINGLE**

Indoor unit

## **Wall Mounted Unit (2)**

- 1.List of Functions**
- 2.Specifications**
- 3.Dimensions**
- 4.Piping diagrams**
- 5.Wiring diagrams**
- 6.Air flow and temperature distribution**
- 7.Sound levels**
- 8.Installation**



# 1. List of functions

## ■ Deluxe

### ◆ List of function

Category	Functions	S3NM09JL1ZA [DC09RQ NSJ], S3NM12JL1ZA [DC12RQ NSJ] S3NM18KL1ZA [DC18RQ NSK], S3NM24K21ZA [DC24RQ NSK]
Air Flow	Air Supply Outlet	1
	Airflow Direction Control (left & right)	Auto
	Airflow Direction Control (up & down)	Auto
	Auto Swing (left & right)	O
	Auto Swing (up & down)	O
	Airflow Steps (fan/cool/heat)	6 / 6 / 6
	Fan Speed Auto*	Advanced
	Power Cool/Heat	O / O
	Swirl Wind*	X
	Refresh Mode**	X
	Smart Mode**	X
	Indirect Wind*	O
	Direct Wind*	O
Dry Operation	O	
Air Purification	Air Purify	X
	Ionizer	O
	UV-C	X
	Pre-Filter	O
	PM1.0 Filter	X
	Allergy Filter	X
Reliability	Hot Start	O
	Self Diagnosis	O
Convenience	Auto Mode	O
	Auto Dry Operation	O
	Auto Restart	O
	Child Lock*	O
	Forced Operation	O
	Group Control*	X
	Sleep Timer	O
	Turn On/Off Reservation	O
	Schedule*	O
	Two Thermistor Control*	O
External On/Off	X	
Installation	Drain Pump	X
	E.S.P. Control*	X
	High Ceiling Operation*	X
Special Functions	Wi-Fi	Embedded
	Auto Elevation Grille	X
	Human Detection Function**	X
	Floor Detection Function**	X

#### Note

- O : Applied, X : Not Applied, - : Unconfirmed or irrelevant  
Embedded : A kit is provided by default for using this function when the product is manufactured.  
Accessory : Ordered and purchased separately the accessory package referring to the model name provided and install at field. Accessory line-ups varies by region, so check your local catalogue or local sales material.
- Some functions can be limited by remote controller.
- In case of cassette type indoor units, Air Purification Kit and Auto Elevation Grille functions are not applicable at the same time.
- 'Auto Mode' varies depending on the outdoor unit type.
  - Auto Change Over(Single Heat Pump Outdoor Unit)
  - Auto Mode Select(Multi Heat Pump Outdoor Unit)
  - Auto Intensity Control(Cooling Only Outdoor Unit)
- \* : These functions need to connect the wired remote controller.
- \*\* : This functions need to connect to the Standard III wired remote controller.

# 1. List of functions

## ◆ List of function

Category	Functions	ZMNW07GJLW1 [DM07RK NSJ] S3NM09JL1MA [DC09RK NSJ], S3NM12JL1MA [DC12RK NSJ] S3NM18KL1MA [DC18RK NSK], S3NM24K21MA [DC24RK NSK]
Air Flow	Air Supply Outlet	1
	Airflow Direction Control (left & right)	Auto
	Airflow Direction Control (up & down)	Auto
	Auto Swing (left & right)	O
	Auto Swing (up & down)	O
	Airflow Steps (fan/cool/heat)	6 / 6 / 6
	Fan Speed Auto*	Advanced
	Power Cool/Heat	O / O
	Swirl Wind*	X
	Refresh Mode**	X
	Smart Mode**	X
	Indirect Wind*	O
	Direct Wind*	O
Dry Operation	O	
Air Purification	Air Purify	X
	Ionizer	O
	UV-C	O
	Pre-Filter	O
	PM1.0 Filter	X
	Allergy Filter	O
Reliability	Hot Start	O
	Self Diagnosis	O
Convenience	Auto Mode	O
	Auto Dry Operation	O
	Auto Restart	O
	Child Lock*	O
	Forced Operation	O
	Group Control*	X
	Sleep Timer	O
	Turn On/Off Reservation	O
	Schedule*	O
	Two Thermistor Control*	O
	External On/Off	X
Installation	Drain Pump	X
	E.S.P. Control*	X
	High Ceiling Operation*	X
Special Functions	Wi-Fi	Embedded
	Auto Elevation Grille	X
	Human Detection Function**	X
	Floor Detection Function**	X

### Note

- O : Applied, X : Not Applied, - : Unconfirmed or irrelevant  
Embedded : A kit is provided by default for using this function when the product is manufactured.  
Accessory : Ordered and purchased separately the accessory package referring to the model name provided and install at field. Accessory line-ups varies by region, so check your local catalogue or local sales material.
- Some functions can be limited by remote controller.
- In case of cassette type indoor units, Air Purification Kit and Auto Elevation Grille functions are not applicable at the same time.
- 'Auto Mode' varies depending on the outdoor unit type.  
- Auto Change Over(Single Heat Pump Outdoor Unit)  
- Auto Mode Select(Multi Heat Pump Outdoor Unit)  
- Auto Intensity Control(Cooling Only Outdoor Unit)
- \* : These functions need to connect the wired remote controller.
- \*\* : This functions need to connect to the Standard III wired remote controller.

# 1. List of functions

## ◆ Accessory Compatibility List

Category		Product	Remark	S3NM09JL1ZA [DC09RQ NSJ] S3NM12JL1ZA [DC12RQ NSJ] S3NM18KL1ZA [DC18RQ NSK] S3NM24K21ZA [DC24RQ NSK] ZMNW07GJLW1 [DM07RK NSJ] S3NM09JL1MA [DC09RK NSJ] S3NM12JL1MA [DC12RK NSJ] S3NM18KL1MA [DC18RK NSK] S3NM24K21MA [DC24RK NSK]
Wireless Remote Controller		PQWRHQ0FDB	Heat Pump	O (Embedded)
		PWLSSB21H	Heat Pump	O
Wired Remote Controller	Simple	PQRCVCL0Q(W)	Simple	O
		PQRCHCA0Q(W)	for Hotel	O
	Standard	PREMTB001	Standard II (White)	O
		PREMTBB01	Standard II (Black)	O
		PREMTB100	Standard III (White)	O
	Premium	PREMTBB10	Standard III (Black)	O
PREMTA000(A/B)		Premium	X	
Dry contact	Simple Contact	PDRYCB000	Simple Dry Contact	O
	Communication type	PDRYCB400	2 Points Dry Contact (For Setback)	O
		PDRYCB300	For 3rd Party Thermostat	O
		PDRYCB320	For 3rd Party Thermostat (Analog Input)	O
		PDRYCB500	For Modbus	O
Gateway	IDU PI485	PHNFP14A0	Without case	X
		PSNFP14A0	With case	X
ETC	Remote temperature sensor	PQRSTA0	-	X
	Zone controller	ABZCA	-	X
	CO <sub>2</sub> Sensor	PES-C0RV0	For ERV, ERV DX Indoor units	X
	Group control wire	PZCWRCG3	0.25m	X
	2-Remo Control Wire	PZCWRC2	0.25m	X
	Extension Wire	PZCWRC1	10m	O
	Wi-Fi Controller*	PWFMDD200	-	O (Embedded)
Human detecting sensor	PTVSAA0	-	X	

### Note

1. O: Possible, X: Impossible, -: Not applicable, Embedded: Included with product.
2. \*: Some advanced functions controlled by individual controller cannot be operated.
3. If there is a difference in development time between the product and the remote controller, some functions cannot be operated.
4. Selecting a wireless remote controller in case of ducted type indoor units requires either a connection to the wired remote controller (Standard II) or an IR receiver accessory to be connected to the duct in order to receive the signal.
5. If you need more detail, please refer to the **BECON** PDB or the manual of product. (<http://partner.lge.com/global> : Home> Doc.Library> Product > Control(BECON))
6. Do not install both the IR Receiver and Wired Remote Controller. This may cause malfunctions.

# 1. List of functions

## ■ Standard plus

### ◆ List of function

Category	Functions	S3NM09JA2DA [PC09SK NSJ], S3NM12JA2DA [PC12SK NSJ] S3NM18KL2DA [PC18SK NSK], S3NM24K22DA [PC24SK NSK]
Air Flow	Air Supply Outlet	1
	Airflow Direction Control (left & right)	Auto
	Airflow Direction Control (up & down)	Auto
	Auto Swing (left & right)	O
	Auto Swing (up & down)	O
	Airflow Steps (fan/cool/heat)	6 / 6 / 6
	Fan Speed Auto*	Advanced
	Power Cool/Heat	O / O
	Swirl Wind*	X
	Refresh Mode**	X
	Smart Mode**	X
	Indirect Wind*	O
	Direct Wind*	O
Dry Operation	O	
Air Purification	Air Purify	X
	Ionizer	X
	UV-C	X
	Pre-Filter	O
	PM1.0 Filter	X
	Allergy Filter	O
Reliability	Hot Start	O
	Self Diagnosis	O
Convenience	Auto Mode	O
	Auto Dry Operation	O
	Auto Restart	O
	Child Lock*	O
	Forced Operation	O
	Group Control*	X
	Sleep Timer	O
	Turn On/Off Reservation	O
	Schedule*	O
	Two Thermistor Control*	O
External On/Off	X	
Installation	Drain Pump	X
	E.S.P. Control*	X
	High Ceiling Operation*	X
Special Functions	Wi-Fi	Embedded
	Auto Elevation Grille	X
	Human Detection Function**	X
	Floor Detection Function**	X

#### Note

- O : Applied, X : Not Applied, - : Unconfirmed or irrelevant  
Embedded : A kit is provided by default for using this function when the product is manufactured.  
Accessory : Ordered and purchased separately the accessory package referring to the model name provided and install at field. Accessory line-ups varies by region, so check your local catalogue or local sales material.
- Some functions can be limited by remote controller.
- In case of cassette type indoor units, Air Purification Kit and Auto Elevation Grille functions are not applicable at the same time.
- 'Auto Mode' varies depending on the outdoor unit type.
  - Auto Change Over(Single Heat Pump Outdoor Unit)
  - Auto Mode Select(Multi Heat Pump Outdoor Unit)
  - Auto Intensity Control(Cooling Only Outdoor Unit)
- \* : These functions need to connect the wired remote controller.
- \*\* : This functions need to connect to the Standard III wired remote controller.

# 1. List of functions

## ◆ Accessory Compatibility List

Category		Product	Remark	S3NM09JA2DA [PC09SK NSJ] S3NM12JA2DA [PC12SK NSJ] S3NM18KL2DA [PC18SK NSK] S3NM24K22DA [PC24SK NSK]
Wireless Remote Controller		PQWRHQ0FDB	Heat Pump	O (Embedded)
		PWLSSB21H	Heat Pump	O
Wired Remote Controller	Simple	PQRCVCL0Q(W)	Simple	O
		PQRCHCA0Q(W)	for Hotel	O
	Standard	PREMTB001	Standard II (White)	O
		PREMTBB01	Standard II (Black)	O
		PREMTB100	Standard III (White)	O
		PREMTBB10	Standard III (Black)	O
	Premium	PREMTA000(A/B)	Premium	X
Dry contact	Simple Contact	PDRYCB000	Simple Dry Contact	O
	Communication type	PDRYCB400	2 Points Dry Contact (For Setback)	O
		PDRYCB300	For 3rd Party Thermostat	O
		PDRYCB320	For 3rd Party Thermostat (Analog Input)	O
		PDRYCB500	For Modbus	O
Gateway	IDU PI485	PHNFP14A0	Without case	X
		PSNFP14A0	With case	X
ETC	Remote temperature sensor	PQRSTA0	-	X
	Zone controller	ABZCA	-	X
	CO <sub>2</sub> Sensor	PES-C0RV0	For ERV, ERV DX Indoor units	X
	Group control wire	PZCWRCG3	0.25m	X
	2-Remo Control Wire	PZCWRC2	0.25m	X
	Extension Wire	PZCWRC1	10m	O
	Wi-Fi Controller*	PWFMD200	-	O (Embedded)
Human detecting sensor	PTVSA00	-	X	

### Note

1. O: Possible, X: Impossible, -: Not applicable, Embedded: Included with product.
2. \*: Some advanced functions controlled by individual controller cannot be operated.
3. If there is a difference in development time between the product and the remote controller, some functions cannot be operated.
4. Selecting a wireless remote controller in case of ducted type indoor units requires either a connection to the wired remote controller (Standard II) or an IR receiver accessory to be connected to the duct in order to receive the signal.
5. If you need more detail, please refer to the **BECON** PDB or the manual of product. (<http://partner.lge.com/global> : Home> Doc.Library> Product > Control(BECON))
6. Do not install both the IR Receiver and Wired Remote Controller. This may cause malfunctions.

# 1. List of functions

## ■ Standard 2

### ◆ List of function

Category	Functions	ZMNW07GSJB1 [MS07ET NSJ] S3NM09JA3FA [S09ET NSJ] S3NM12JA3FA [S12ET NSJ] S3NM18KL3FA [S18ET NSK] S3NM24K23FA [S24ET NSK] ZMNW07GSAB1 [MS07ET NSA]
Air Flow	Air Supply Outlet	1
	Airflow Direction Control (left & right)	Auto
	Airflow Direction Control (up & down)	Auto
	Auto Swing (left & right)	O
	Auto Swing (up & down)	O
	Airflow Steps (fan/cool/heat)	6 / 6 / 6
	Fan Speed Auto*	Advanced
	Power Cool/Heat	O / O
	Swirl Wind*	X
	Refresh Mode**	X
	Smart Mode**	X
	Indirect Wind*	O
Air Purification	Direct Wind*	O
	Dry Operation	O
	Air Purify	X
	Ionizer	X
	UV-C	X
	Pre-Filter	O
Reliability	PM1.0 Filter	X
	Allergy Filter	X
Convenience	Hot Start	O
	Self Diagnosis	O
	Auto Mode	O
	Auto Dry Operation	O
	Auto Restart	O
	Child Lock*	O
	Forced Operation	O
	Group Control*	X
	Sleep Timer	O
	Turn On/Off Reservation	O
	Schedule*	O
Installation	Two Thermistor Control*	O
	External On/Off	X
	Drain Pump	X
Special Functions	E.S.P. Control*	X
	High Ceiling Operation*	X
	Wi-Fi	Embedded
	Auto Elevation Grille	X
	Human Detection Function**	X
	Floor Detection Function**	X

#### Note

- O : Applied, X : Not Applied, - : Unconfirmed or irrelevant  
Embedded : A kit is provided by default for using this function when the product is manufactured.  
Accessory : Ordered and purchased separately the accessory package referring to the model name provided and install at field. Accessory line-ups varies by region, so check your local catalogue or local sales material.
- Some functions can be limited by remote controller.
- In case of cassette type indoor units, Air Purification Kit and Auto Elevation Grille functions are not applicable at the same time.
- 'Auto Mode' varies depending on the outdoor unit type.
  - Auto Change Over(Single Heat Pump Outdoor Unit)
  - Auto Mode Select(Multi Heat Pump Outdoor Unit)
  - Auto Intensity Control(Cooling Only Outdoor Unit)
- \* : These functions need to connect the wired remote controller.
- \*\* : This functions need to connect to the Standard III wired remote controller.

# 1. List of functions

## ◆ Accessory Compatibility List

Category		Product	Remark	ZMNW07GSJB1 [MS07ET NSJ] S3NM09JA3FA [S09ET NSJ] S3NM12JA3FA [S12ET NSJ] S3NM18KL3FA [S18ET NSK] S3NM24K23FA [S24ET NSK] ZMNW07GSAB1 [MS07ET NSA]
Wireless Remote Controller		PQWRHQ0FDB	Heat Pump	O (Embedded)
		PWLSSB21H	Heat Pump	O
Wired Remote Controller	Simple	PQRCVCL0Q(W)	Simple	O
		PQRCHCA0Q(W)	for Hotel	O
	Standard	PREMTB001	Standard II (White)	O
		PREMTBB01	Standard II (Black)	O
		PREMTB100	Standard III (White)	O
		PREMTBB10	Standard III (Black)	O
Premium	PREMTA000(A/B)	Premium	X	
Dry contact	Simple Contact	PDRYCB000	Simple Dry Contact	O
	Communication type	PDRYCB400	2 Points Dry Contact (For Setback)	O
		PDRYCB300	For 3rd Party Thermostat	O
		PDRYCB320	For 3rd Party Thermostat (Analog Input)	O
		PDRYCB500	For Modbus	O
Gateway	IDU PI485	PHNFP14A0	Without case	X
		PSNFP14A0	With case	X
ETC	Remote temperature sensor	PQRSTA0	-	X
	Zone controller	ABZCA	-	X
	CO <sub>2</sub> Sensor	PES-C0RV0	For ERV, ERV DX Indoor units	X
	Group control wire	PZCWRCG3	0.25m	X
	2-Remo Control Wire	PZCWRC2	0.25m	X
	Extension Wire	PZCWRC1	10m	O
	Wi-Fi Controller*	PWFMDD200	-	O (Embedded)
Human detecting sensor	PTVSA00	-	X	

### Note

1. O: Possible, X: Impossible, -: Not applicable, Embedded: Included with product.
2. \*: Some advanced functions controlled by individual controller cannot be operated.
3. If there is a difference in development time between the product and the remote controller, some functions cannot be operated.
4. Selecting a wireless remote controller in case of ducted type indoor units requires either a connection to the wired remote controller (Standard II) or an IR receiver accessory to be connected to the duct in order to receive the signal.
5. If you need more detail, please refer to the **BECON** PDB or the manual of product. (<http://partner.lge.com/global> : Home> Doc.Library> Product > Control(BECON))
6. Do not install both the IR Receiver and Wired Remote Controller. This may cause malfunctions.

# 1. List of functions

## ■ Air Purification

### ◆ List of function

Category	Functions	S3NM09JA10B [AP09RK NSJ] S3NM12JA10B [AP12RK NSJ]
Air Flow	Air Supply Outlet	1
	Airflow Direction Control (left & right)	Auto
	Airflow Direction Control (up & down)	Auto
	Auto Swing (left & right)	O
	Auto Swing (up & down)	O
	Airflow Steps (fan/cool/heat)	6 / 6 / 6
	Fan Speed Auto*	Advanced
	Power Cool/Heat	O / O
	Swirl Wind*	X
	Refresh Mode**	X
	Smart Mode**	X
	Indirect Wind*	O
	Direct Wind*	O
Dry Operation	O	
Air Purification	Air Purify	X
	Ionizer	O
	UV-C	O
	Pre-Filter	O
	PM1.0 Filter	O
	Allergy Filter	O
Reliability	Hot Start	O
	Self Diagnosis	O
Convenience	Auto Mode	O
	Auto Dry Operation	O
	Auto Restart	O
	Child Lock*	O
	Forced Operation	O
	Group Control*	X
	Sleep Timer	O
	Turn On/Off Reservation	O
	Schedule*	O
	Two Thermistor Control*	O
External On/Off	X	
Installation	Drain Pump	X
	E.S.P. Control*	X
	High Ceiling Operation*	X
Special Functions	Wi-Fi	Embedded
	Auto Elevation Grille	X
	Human Detection Function**	X
	Floor Detection Function**	X

#### Note

- O : Applied, X : Not Applied, - : Unconfirmed or irrelevant  
Embedded : A kit is provided by default for using this function when the product is manufactured.  
Accessory : Ordered and purchased separately the accessory package referring to the model name provided and install at field. Accessory line-ups varies by region, so check your local catalogue or local sales material.
- Some functions can be limited by remote controller.
- In case of cassette type indoor units, Air Purification Kit and Auto Elevation Grille functions are not applicable at the same time.
- 'Auto Mode' varies depending on the outdoor unit type.
  - Auto Change Over(Single Heat Pump Outdoor Unit)
  - Auto Mode Select(Multi Heat Pump Outdoor Unit)
  - Auto Intensity Control(Cooling Only Outdoor Unit)
- \* : These functions need to connect the wired remote controller.
- \*\* : This functions need to connect to the Standard III wired remote controller.



# 1. List of functions

## ◆ Accessory Compatibility List

Category		Product	Remark	S3NM09JA10B [AP09RK NSJ] S3NM12JA10B [AP12RK NSJ]
Wireless Remote Controller		PQWRHQ0FDB	Heat Pump	O (Embedded)
		PWLSSB21H	Heat Pump	O
Wired Remote Controller	Simple	PQRCVCL0Q(W)	Simple	O
		PQRCHCA0Q(W)	for Hotel	O
	Standard	PREMTB001	Standard II (White)	O
		PREMTBB01	Standard II (Black)	O
		PREMTB100	Standard III (White)	O
		PREMTBB10	Standard III (Black)	O
Premium	PREMTA000(A/B)	Premium	X	
Dry contact	Simple Contact	PDRYCB000	Simple Dry Contact	O
	Communication type	PDRYCB400	2 Points Dry Contact (For Setback)	O
		PDRYCB300	For 3rd Party Thermostat	O
		PDRYCB320	For 3rd Party Thermostat (Analog Input)	O
		PDRYCB500	For Modbus	O
Gateway	IDU PI485	PHNFP14A0	Without case	X
		PSNFP14A0	With case	X
ETC	Remote temperature sensor	PQRSTA0	-	X
	Zone controller	ABZCA	-	X
	CO <sub>2</sub> Sensor	PES-C0RV0	For ERV, ERV DX Indoor units	X
	Group control wire	PZCWRCG3	0.25m	X
	2-Remo Control Wire	PZCWRC2	0.25m	X
	Extension Wire	PZCWRC1	10m	O
	Wi-Fi Controller*	PWFMDD200	-	O (Embedded)
Human detecting sensor	PTVSA00	-	X	

### Note

1. O: Possible, X: Impossible, -: Not applicable, Embedded: Included with product.
2. \*: Some advanced functions controlled by individual controller cannot be operated.
3. If there is a difference in development time between the product and the remote controller, some functions cannot be operated.
4. Selecting a wireless remote controller in case of ducted type indoor units requires either a connection to the wired remote controller (Standard II) or an IR receiver accessory to be connected to the duct in order to receive the signal.
5. If you need more detail, please refer to the **BECON** PDB or the manual of product. (<http://partner.lge.com/global> : Home> Doc.Library> Product > Control(BECON))
6. Do not install both the IR Receiver and Wired Remote Controller. This may cause malfunctions.

## 2. Specifications

### Deluxe

Model Name			S3NM09JL1ZA [DC09RQ NSJ]	S3NM12JL1ZA [DC12RQ NSJ]
Power Supply		V, Ø, Hz	220-240, 1, 50	220-240, 1, 50
			220, 1, 60	220, 1, 60
Capacity(Nominal)	Cooling	kW	2.5	3.5
	Heating	kW	3.2	4.0
Power Input	Min./Nom./Max.		9 / 18 / 30	9 / 19 / 30
Running Current	Min./Nom./Max.		0.12 / 0.16 / 0.20	0.12 / 0.17 / 0.20
Casing Color			Munsell 7.5BG 10/2 (RAL 9016)	
Dimensions	Body	W x H x D	mm	837 × 308 × 189
		W x H x D	inch	32-15/16 x 12-1/8 x 7-7/16
	Shipping	W x H x D	mm	882 x 385 x 253
		W x H x D	inch	34-23/32 x 15-5/32 x 9-31/32
Weight	Body		kg (lbs)	9.1 (20.1)
	Shipping		kg (lbs)	11.3 (24.9)
Heat Exchanger	(Row x Column x Fins per inch) x No.		-	(2 x 23 x 22) x 1
	Face Area		m <sup>2</sup> (ft <sup>2</sup> )	0.20 (2.15)
	Corrosion Protection		-	PCM
	Fin Type		-	Slit
	Material, Tube / Fin		-	Cu / Al
Fan	Type		-	Cross Flow Fan
	Air Flow Rate	(Cooling) SH / H / M / L	m <sup>3</sup> /min	10.1 / 7.7 / 6.4 / 5.0
			ft <sup>3</sup> /min	357 / 272 / 226 / 177
		(Heating) SH / H / M / L	m <sup>3</sup> /min	- / 7.7 / 6.4 / 5.0
			ft <sup>3</sup> /min	- / 272 / 226 / 177
Fan Motor	Type		-	BLDC
	Output		W x No.	30 x 1
Sound Pressure Level	(Cooling) SH / H / M / L / SL		dB(A)	- / 36 / 32 / 27 / 19
	(Heating) SH / H / M / L / SL		dB(A)	- / 36 / 32 / 27 / -
Sound Power Level	Rated		dB(A)	56
Piping Connections	Liquid		mm(inch)	Ø 6.35 (1/4)
	Gas		mm(inch)	Ø 9.52 (3/8)
	Drain	O.D. / I.D.	mm	Ø 21.5 / 16.0
Safety Devices			-	Fuse
			-	Thermal Protector for Fan Motor
Connections Method			-	Flared
Power and Communication Cable (included Earth)			No. x mm <sup>2</sup>	4C x 0.75

#### Note

- Due to our policy of innovation some specifications may be changed without notification.
- Wiring cable size must comply with the applicable local and national code. And "Electric characteristics" chapter should be considered for electrical work and design. Especially the power cable and circuit breaker should be selected in accordance with that.
- Sound Level Values are measured at Noise Measuring chamber accordance with standard. Therefore, these values depend on the ambient conditions and values are normally higher in actual operation(Sound Pressure : LG Internal standard, Sound Power : EN 12102 (ISO 3741)).
- Capacities are net capacities and based on the following conditions. Refer to the Outdoor Unit Specifications for calculating the real capacity.
  - Cooling : Indoor Ambient Temp. 27°CDB / 19°CWB, Outdoor Ambient Temp. 35°CDB / 24°CWB
  - Heating : Indoor Ambient Temp. 20°CDB / 15°CWB, Outdoor Ambient Temp. 7°CDB / 6°CWB
  - Interconnected Pipe is standard length and difference of Elevation (Outdoor ~ Indoor Unit) is 0m.

## 2. Specifications

Model Name			S3NM18KL1ZA [DC18RQ NSK]	
Power Supply		V, Ø, Hz	220-240, 1, 50	
			220, 1, 60	
Capacity(Nominal)	Cooling	kW	5.0	
	Heating	kW	5.8	
Power Input	Min./Nom./Max.	W	26 / 39 / 60	
Running Current	Min./Nom./Max.	A	0.22 / 0.28 / 0.40	
Casing Color			-	
			Munsell 7.5BG 10/2 (RAL 9016)	
Dimensions	Body	W x H x D	mm	998 x 345 x 210
		W x H x D	inch	39-9/32 x 13-19/32 x 8-9/32
	Shipping	W x H x D	mm	1,053 x 424 x 278
		W x H x D	inch	41-15/32 x 16-11/16 x 10-15/16
Weight	Body		kg (lbs)	11.9 (26.2)
	Shipping		kg (lbs)	15.2 (33.5)
Heat Exchanger	(Row x Column x Fins per inch) x No.		-	(2 x 16 x 20) x 1
	Face Area		m <sup>2</sup> (ft <sup>2</sup> )	0.28 (3.01)
	Corrosion Protection		-	PCM
	Fin Type		-	Slit
	Material, Tube / Fin		-	Cu / Al
Fan	Type		-	Cross Flow Fan
	Air Flow Rate	(Cooling) SH / H / M / L	m <sup>3</sup> /min	16.8 / 15.5 / 13.1 / 10.5
			ft <sup>3</sup> /min	593 / 547 / 463 / 371
		(Heating) SH / H / M / L	m <sup>3</sup> /min	- / 15.5 / 13.1 / 10.5
			ft <sup>3</sup> /min	- / 547 / 463 / 371
Fan Motor	Type		-	BLDC
	Output		W x No.	60 x 1
Sound Pressure Level	(Cooling) SH / H / M / L / SL		dB(A)	- / 47 / 42 / 34 / 31
	(Heating) SH / H / M / L / SL		dB(A)	- / 47 / 42 / 34 / -
Sound Power Level	Rated		dB(A)	60
Piping Connections	Liquid		mm(inch)	Ø 6.35 (1/4)
	Gas		mm(inch)	Ø 12.7 (1/2)
	Drain	O.D. / I.D.	mm	Ø 21.5 / 16.0
Safety Devices			-	Fuse
			-	Thermal Preotector for Fan Motor
Connections Method			-	Flared
Power and Communication Cable (included Earth)			No. x mm <sup>2</sup>	4C x 0.75

### Note

1. Due to our policy of innovation some specifications may be changed without notification.
2. Wiring cable size must comply with the applicable local and national code. And "Electric characteristics" chapter should be considered for electrical work and design. Especially the power cable and circuit breaker should be selected in accordance with that.
3. Sound Level Values are measured at Noise Measuring chamber accordance with standard. Therefore, these values depend on the ambient conditions and values are normally higher in actual operation(Sound Pressure : LG Internal standard, Sound Power : EN 12102 (ISO 3741).
4. Capacities are net capacities and based on the following conditions. Refer to the Outdoor Unit Specifications for calculating the real capacity.
  - Cooling : Indoor Ambient Temp. 27°CDB / 19°CWB, Outdoor Ambient Temp. 35°CDB / 24°CWB
  - Heating : Indoor Ambient Temp. 20°CDB / 15°CWB, Outdoor Ambient Temp. 7°CDB / 6°CWB
  - Interconnected Pipe is standard length and difference of Elevation (Outdoor ~ Indoor Unit) is 0m.

## 2. Specifications

Model Name			S3NM24K21ZA [DC24RQ NSK]	
Power Supply		V, Ø, Hz	220-240, 1, 50	
			220, 1, 60	
Capacity(Nominal)	Cooling	kW	6.6	
	Heating	kW	7.5	
Power Input	Min./Nom./Max.	W	27 / 45 / 60	
Running Current	Min./Nom./Max.	A	0.24 / 0.33 / 0.40	
Casing Color			- Munsell 7.5BG 10/2 (RAL 9016)	
Dimensions	Body	W x H x D	mm	998 x 345 x 210
		W x H x D	inch	39-9/32 x 13-19/32 x 8-9/32
	Shipping	W x H x D	mm	1,053 x 424 x 278
		W x H x D	inch	41-15/32 x 16-11/16 x 10-15/16
Weight	Body	kg (lbs)	12.7 (28.0)	
	Shipping	kg (lbs)	16.0 (35.3)	
Heat Exchanger	(Row x Column x Fins per inch) x No.		-	(2 x 16 x 20) x 1
	Face Area		m <sup>2</sup> (ft <sup>2</sup> )	0.28 (3.01)
	Corrosion Protection		-	PCM
	Fin Type		-	Slit
	Material, Tube / Fin		-	Cu / Al
Fan	Type		-	Cross Flow Fan
	Air Flow Rate	(Cooling) SH / H / M / L	m <sup>3</sup> /min	18.3 / 16.1 / 13.1 / 10.5
			ft <sup>3</sup> /min	646 / 569 / 463 / 371
		(Heating) SH / H / M / L	m <sup>3</sup> /min	- / 16.1 / 13.1 / 10.5
			ft <sup>3</sup> /min	- / 569 / 463 / 371
Fan Motor	Type		-	BLDC
	Output		W x No.	58 x 1
Sound Pressure Level		(Cooling) SH / H / M / L / SL	dB(A)	- / 47 / 42 / 34 / 31
		(Heating) SH / H / M / L / SL	dB(A)	- / 47 / 42 / 34 / -
Sound Power Level		Rated	dB(A)	64
Piping Connections	Liquid		mm(inch)	Ø 6.35 (1/4)
	Gas		mm(inch)	Ø 15.88 (5/8)
	Drain	O.D. / I.D.	mm	Ø 21.5 / 16.0
Safety Devices			-	Fuse
			-	Thermal Preotector for Fan Motor
Connections Method			-	Flared
Power and Communication Cable (included Earth)			No. x mm <sup>2</sup>	4C x 1.0

**Note**

1. Due to our policy of innovation some specifications may be changed without notification.
2. Wiring cable size must comply with the applicable local and national code. And "Electric characteristics" chapter should be considered for electrical work and design. Especially the power cable and circuit breaker should be selected in accordance with that.
3. Sound Level Values are measured at Noise Measuring chamber accordance with standard. Therefore, these values depend on the ambient conditions and values are normally higher in actual operation(Sound Pressure : LG Internal standard, Sound Power : EN 12102 (ISO 3741).
4. Capacities are net capacities and based on the following conditions. Refer to the Outdoor Unit Specifications for calculating the real capacity.
  - Cooling : Indoor Ambient Temp. 27°CDB / 19°CWB, Outdoor Ambient Temp. 35°CDB / 24°CWB
  - Heating : Indoor Ambient Temp. 20°CDB / 15°CWB, Outdoor Ambient Temp. 7°CDB / 6°CWB
  - Interconnected Pipe is standard length and difference of Elevation (Outdoor ~ Indoor Unit) is 0m.

## 2. Specifications

Model Name			ZMNW07GJLW1 [DM07RK NSJ]	
Power Supply		V, Ø, Hz	220-240, 1, 50 220, 1, 60	
Capacity(Nominal)	Cooling	kW	2.1	
	Heating	kW	2.3	
Power Input	Min./Nom./Max.	W	9 / 17 / 30	
Running Current	Min./Nom./Max.	A	0.12 / 0.15 / 0.20	
Casing Color		-	Munsell 7.5BG 10/2 (RAL 9016)	
Dimensions	Body	W x H x D	mm	837 x 308 x 189
		W x H x D	inch	32-15/16 x 12-1/8 x 7-7/16
	Shipping	W x H x D	mm	882 x 385 x 253
		W x H x D	inch	34-23/32 x 15-5/32 x 9-31/32
Weight	Body	kg (lbs)	9.1 (20.1)	
	Shipping	kg (lbs)	11.6 (25.6)	
Heat Exchanger	(Row x Column x Fins per inch) x No.		-	(2 x 23 x 22) x 1
	Face Area		m <sup>2</sup> (ft <sup>2</sup> )	0.20 (2.15)
	Corrosion Protection		-	PCM
	Fin Type		-	Slit
	Material, Tube / Fin		-	Cu / Al
Fan	Type		-	Cross Flow Fan
	Air Flow Rate	(Cooling) SH / H / M / L	m <sup>3</sup> /min	10.1 / 7.4 / 6.1 / 5.0
			ft <sup>3</sup> /min	357 / 261 / 215 / 177
		(Heating) SH / H / M / L	m <sup>3</sup> /min	- / 7.4 / 6.1 / 5.0
ft <sup>3</sup> /min			- / 261 / 215 / 177	
Fan Motor	Type		-	BLDC
	Output		W x No.	30 x 1
Sound Pressure Level	(Cooling) SH / H / M / L / SL		dB(A)	- / 36 / 31 / 27 / 19
	(Heating) SH / H / M / L / SL		dB(A)	- / 36 / 31 / 27 / -
Sound Power Level		Rated	dB(A)	56
Piping Connections	Liquid		mm(inch)	Ø 6.35 (1/4)
	Gas		mm(inch)	Ø 9.52 (3/8)
	Drain	O.D. / I.D.	mm	Ø 21.5 / 16.0
Safety Devices				Fuse
				Thermal Protector for Fan Motor
Connections Method				Flared
Power and Communication Cable (included Earth)		No. x mm <sup>2</sup>	4C x 0.75	

### Note

- Due to our policy of innovation some specifications may be changed without notification.
- Wiring cable size must comply with the applicable local and national code. And "Electric characteristics" chapter should be considered for electrical work and design. Especially the power cable and circuit breaker should be selected in accordance with that.
- Sound Level Values are measured at Noise Measuring chamber accordance with standard. Therefore, these values depend on the ambient conditions and values are normally higher in actual operation(Sound Pressure : LG Internal standard, Sound Power : EN 12102 (ISO 3741).
- Capacities are net capacities and based on the following conditions. Refer to the Outdoor Unit Specifications for calculating the real capacity.
  - Cooling : Indoor Ambient Temp. 27°CDB / 19°CWB, Outdoor Ambient Temp. 35°CDB / 24°CWB
  - Heating : Indoor Ambient Temp. 20°CDB / 15°CWB, Outdoor Ambient Temp. 7°CDB / 6°CWB
  - Interconnected Pipe is standard length and difference of Elevation (Outdoor ~ Indoor Unit) is 0m.

## 2. Specifications

Model Name			S3NM09JL1MA [DC09RK NSJ]	S3NM12JL1MA [DC12RK NSJ]
Power Supply		V, Ø, Hz	220-240, 1, 50 220, 1, 60	220-240, 1, 50 220, 1, 60
Capacity(Nominal)	Cooling	kW	2.5	3.5
	Heating	kW	3.2	4.0
Power Input	Min./Nom./Max.	W	9 / 18 / 30	9 / 19 / 30
Running Current	Min./Nom./Max.	A	0.12 / 0.16 / 0.20	0.12 / 0.17 / 0.20
Casing Color		-	Munsell 7.5BG 10/2 (RAL 9016)	
Dimensions	Body	W x H x D	mm	837 × 308 × 189
		W x H x D	inch	32-15/16 x 12-1/8 x 7-7/16
	Shipping	W x H x D	mm	882 × 385 × 253
		W x H x D	inch	34-23/32 x 15-5/32 x 9-31/32
Weight	Body	kg (lbs)	9.1 (20.1)	9.1 (20.1)
	Shipping	kg (lbs)	11.9 (26.2)	11.9 (26.2)
Heat Exchanger	(Row x Column x Fins per inch) x No.		-	(2 x 23 x 22) x 1
	Face Area		m <sup>2</sup> (ft <sup>2</sup> )	0.19 (2.05)
	Corrosion Protection		-	PCM
	Fin Type		-	Slit
	Material, Tube / Fin		-	Cu / Al
Fan	Type		-	Cross Flow Fan
	Air Flow Rate	(Cooling) SH / H / M / L	m <sup>3</sup> /min	10.1 / 7.7 / 6.4 / 5.0
			ft <sup>3</sup> /min	357 / 272 / 226 / 177
		(Heating) SH / H / M / L	m <sup>3</sup> /min	- / 7.7 / 6.4 / 5.0
			ft <sup>3</sup> /min	- / 272 / 226 / 177
Fan Motor	Type		-	BLDC
	Output		W x No.	30 x 1
Sound Pressure Level	(Cooling) SH / H / M / L / SL		dB(A)	- / 36 / 32 / 27 / 19
	(Heating) SH / H / M / L / SL		dB(A)	- / 36 / 32 / 27 / -
Sound Power Level	Rated		dB(A)	56
Piping Connections	Liquid		mm(inch)	Ø 6.35 (1/4)
	Gas		mm(inch)	Ø 9.52 (3/8)
	Drain	O.D. / I.D.	mm	Ø 21.5 / 16.0
Safety Devices		-	Fuse	
		-	Thermal Protector for Fan Motor	
Connections Method		-	Flared	Flared
Power and Communication Cable (included Earth)		No. x mm <sup>2</sup>	4C x 0.75	4C x 0.75

### Note

- Due to our policy of innovation some specifications may be changed without notification.
- Wiring cable size must comply with the applicable local and national code. And "Electric characteristics" chapter should be considered for electrical work and design. Especially the power cable and circuit breaker should be selected in accordance with that.
- Sound Level Values are measured at Noise Measuring chamber accordance with standard. Therefore, these values depend on the ambient conditions and values are normally higher in actual operation(Sound Pressure : LG Internal standard, Sound Power : EN 12102 (ISO 3741).
- Capacities are net capacities and based on the following conditions. Refer to the Outdoor Unit Specifications for calculating the real capacity.
  - Cooling : Indoor Ambient Temp. 27°CDB / 19°CWB, Outdoor Ambient Temp. 35°CDB / 24°CWB
  - Heating : Indoor Ambient Temp. 20°CDB / 15°CWB, Outdoor Ambient Temp. 7°CDB / 6°CWB
  - Interconnected Pipe is standard length and difference of Elevation (Outdoor ~ Indoor Unit) is 0m.

## 2. Specifications

Model Name			S3NM18KL1MA [DC18RK NSK]	S3NM24K21MA [DC24RK NSK]
Power Supply		V, Ø, Hz	220-240, 1, 50 220, 1, 60	220-240, 1, 50 220, 1, 60
Capacity(Nominal)	Cooling	kW	5.0	6.6
	Heating	kW	5.8	7.5
Power Input	Min./Nom./Max.	W	26 / 39 / 60	27 / 45 / 60
Running Current	Min./Nom./Max.	A	0.22 / 0.28 / 0.40	0.24 / 0.33 / 0.40
Casing Color		-	Munsell 7.5BG 10/2 (RAL 9016)	Munsell 7.5BG 10/2 (RAL 9016)
Dimensions	Body	W x H x D	mm	998 x 345 x 210
		W x H x D	inch	39-9/32 x 13-19/32 x 8-9/32
	Shipping	W x H x D	mm	1,053 x 424 x 278
		W x H x D	inch	41-15/32 x 16-11/16 x 10-15/16
Weight	Body	kg (lbs)	11.9 (26.2)	12.7 (28.0)
	Shipping	kg (lbs)	15.2 (33.5)	16.0 (35.3)
Heat Exchanger	(Row x Column x Fins per inch) x No.		-	(2 x 16 x 20) x 1
	Face Area		m <sup>2</sup> (ft <sup>2</sup> )	0.28 (3.01)
	Corrosion Protection		-	PCM
	Fin Type		-	Slit
	Material, Tube / Fin		-	Cu / Al
Fan	Type		-	Cross Flow Fan
	Air Flow Rate	(Cooling) SH / H / M / L	m <sup>3</sup> /min	16.8 / 15.5 / 13.1 / 10.5
			ft <sup>3</sup> /min	593 / 547 / 463 / 371
		(Heating) SH / H / M / L	m <sup>3</sup> /min	- / 15.5 / 13.1 / 10.5
			ft <sup>3</sup> /min	- / 547 / 463 / 371
Fan Motor	Type		-	BLDC
	Output		W x No.	30 x 1 60 x 1
Sound Pressure Level	(Cooling) SH / H / M / L / SL		dB(A)	- / 47 / 42 / 34 / 31
	(Heating) SH / H / M / L / SL		dB(A)	- / 47 / 42 / 34 / -
Sound Power Level	Rated		dB(A)	60 64
Piping Connections	Liquid		mm(inch)	Ø 6.35 (1/4) Ø 6.35 (1/4)
	Gas		mm(inch)	Ø 12.7 (1/2) Ø 15.88 (5/8)
	Drain	O.D. / I.D.	mm	Ø 21.5 / 16.0 Ø 21.5 / 16.0
Safety Devices		-	Fuse Thermal Preotector for Fan Motor	
Connections Method		-	Flared	Flared
Power and Communication Cable (included Earth)		No. x mm <sup>2</sup>	4C x 0.75	4C x 0.75

**Note**

1. Due to our policy of innovation some specifications may be changed without notification.
2. Wiring cable size must comply with the applicable local and national code. And "Electric characteristics" chapter should be considered for electrical work and design. Especially the power cable and circuit breaker should be selected in accordance with that.
3. Sound Level Values are measured at Noise Measuring chamber accordance with standard. Therefore, these values depend on the ambient conditions and values are normally higher in actual operation(Sound Pressure : LG Internal standard, Sound Power : EN 12102 (ISO 3741).
4. Capacities are net capacities and based on the following conditions. Refer to the Outdoor Unit Specifications for calculating the real capacity.
  - Cooling : Indoor Ambient Temp. 27°CDB / 19°CWB, Outdoor Ambient Temp. 35°CDB / 24°CWB
  - Heating : Indoor Ambient Temp. 20°CDB / 15°CWB, Outdoor Ambient Temp. 7°CDB / 6°CWB
  - Interconnected Pipe is standard length and difference of Elevation (Outdoor ~ Indoor Unit) is 0m.

## 2. Specifications

### ■ Standard plus

Model Name			S3NM09JA2DA [PC09SK NSJ]	S3NM12JA2DA [PC12SK NSJ]
Power Supply		V, Ø, Hz	220-240, 1, 50	220-240, 1, 50
			220, 1, 60	220, 1, 60
Capacity(Nominal)	Cooling	kW	2.5	3.5
	Heating	kW	3.3	4.0
Power Input	Min./Nom./Max.	W	11 / 18 / 30	11 / 19 / 30
Running Current	Min./Nom./Max.	A	0.10 / 0.16 / 0.20	0.10 / 0.17 / 0.20
Casing Color		-	Munsell 7.5BG 10/2 (RAL 9016)	
Dimensions	Body	W x H x D	mm	837 x 308 x 189
		W x H x D	inch	32-15/16 x 12-1/8 x 7-7/16
	Shipping	W x H x D	mm	882 x 385 x 253
		W x H x D	inch	34-23/32 x 15-5/32 x 9-31/32
Weight	Body	kg (lbs)	8.7 (19.2)	8.7 (19.2)
	Shipping	kg (lbs)	11.8 (26.0)	11.8 (26.0)
Heat Exchanger	(Row x Column x Fins per inch) x No.		-	(2 x 15 x 21) x 1
	Face Area		m <sup>2</sup> (ft <sup>2</sup> )	0.19 (2.05)
	Corrosion Protection		-	PCM
	Fin Type		-	Slit
	Material, Tube / Fin		-	Cu / Al
Fan	Type		-	Cross Flow Fan
	Air Flow Rate	SH / H / M / L	m <sup>3</sup> /min	12.2 / 9.2 / 7.4 / 5.6
		SH / H / M / L	ft <sup>3</sup> /min	431 / 325 / 261 / 198
Fan Motor	Type		-	BLDC
	Output		W x No.	30 x 1
Sound Pressure Level		SH / H / M / L / SL	dB(A)	44 / 36 / 33 / 27 / 19
Sound Power Level		Rated	dB(A)	57
Piping Connections	Liquid		mm(inch)	Ø 6.35 (1/4)
	Gas		mm(inch)	Ø 9.52 (3/8)
	Drain	O.D. / I.D.	mm	Ø 21.5 / 16.0
Safety Devices		-	Fuse	Fuse
		-	Thermal Protector for Fan Motor	
Connections Method		-	Flared	Flared
Power and Communication Cable (included Earth)		No. x mm <sup>2</sup>	4C x 0.75	4C x 0.75

#### Note

1. Due to our policy of innovation some specifications may be changed without notification.
2. Wiring cable size must comply with the applicable local and national code. And "Electric characteristics" chapter should be considered for electrical work and design. Especially the power cable and circuit breaker should be selected in accordance with that.
3. Sound Level Values are measured at Noise Measuring chamber accordance with standard. Therefore, these values depend on the ambient conditions and values are normally higher in actual operation(Sound Pressure : LG Internal standard, Sound Power : EN 12102 (ISO 3741).
4. Capacities are net capacities and based on the following conditions. Refer to the Outdoor Unit Specifications for calculating the real capacity.
  - Cooling : Indoor Ambient Temp. 27°CDB / 19°CWB, Outdoor Ambient Temp. 35°CDB / 24°CWB
  - Heating : Indoor Ambient Temp. 20°CDB / 15°CWB, Outdoor Ambient Temp. 7°CDB / 6°CWB
  - Interconnected Pipe is standard length and difference of Elevation (Outdoor ~ Indoor Unit) is 0m.



## 2. Specifications

Model Name				S3NM18KL2DA [PC18SK NSK]	
Power Supply		V, Ø, Hz		220-240, 1, 50	
				220, 1, 60	
Capacity(Nominal)	Cooling	kW		5.0	
	Heating	kW		5.8	
Power Input	Min./Nom./Max.		W	26 / 39 / 60	
Running Current	Min./Nom./Max.		A	0.22 / 0.28 / 0.40	
Casing Color			-	Munsell 7.5BG 10/2 (RAL 9016)	
Dimensions	Body	W x H x D		mm	998 x 345 x 210
		W x H x D		inch	39-9/32 x 13-19/32 x 8-9/32
	Shipping	W x H x D		mm	1,053 x 424 x 278
		W x H x D		inch	41-15/32 x 16-11/16 x 10-15/16
Weight	Body		kg (lbs)	11.9 (26.2)	
	Shipping		kg (lbs)	15.2 (33.5)	
Heat Exchanger	(Row x Column x Fins per inch) x No.		-	(2 x 16 x 20) x 1	
	Face Area		m <sup>2</sup> (ft <sup>2</sup> )	0.28 (3.01)	
	Corrosion Protection		-	PCM	
	Fin Type		-	Slit	
	Material, Tube / Fin		-	Cu / Al	
Fan	Type		-	Cross Flow Fan	
	Air Flow Rate	SH / H / M / L	m <sup>3</sup> /min	18.5 / 14.2 / 11.3 / 9.9	
		SH / H / M / L	ft <sup>3</sup> /min	653 / 501 / 399 / 350	
Fan Motor	Type		-	BLDC	
	Output		W x No.	30 x 1	
Sound Pressure Level		SH / H / M / L / SL	dB(A)	48 / 44 / 38 / 35 / 31	
Sound Power Level		Rated	dB(A)	60	
Piping Connections	Liquid		mm(inch)	Ø 6.35 (1/4)	
	Gas		mm(inch)	Ø 12.7 (1/2)	
	Drain	O.D. / I.D.	mm	Ø 21.5 / 16.0	
Safety Devices			-	Fuse	
			-	Thermal Protector for Fan Motor	
Connections Method			-	Flared	
Power and Communication Cable (included Earth)			No. x mm <sup>2</sup>	4C x 0.75	
<b>Note</b>					
1. Due to our policy of innovation some specifications may be changed without notification.					
2. Wiring cable size must comply with the applicable local and national code. And "Electric characteristics" chapter should be considered for electrical work and design. Especially the power cable and circuit breaker should be selected in accordance with that.					
3. Sound Level Values are measured at Noise Measuring chamber accordance with standard. Therefore, these values depend on the ambient conditions and values are normally higher in actual operation(Sound Pressure : LG Internal standard, Sound Power : EN 12102 (ISO 3741).					
4. Capacities are net capacities and based on the following conditions. Refer to the Outdoor Unit Specifications for calculating the real capacity.					
• Cooling : Indoor Ambient Temp. 27°CDB / 19°CWB, Outdoor Ambient Temp. 35°CDB / 24°CWB					
• Heating : Indoor Ambient Temp. 20°CDB / 15°CWB, Outdoor Ambient Temp. 7°CDB / 6°CWB					
• Interconnected Pipe is standard length and difference of Elevation (Outdoor ~ Indoor Unit) is 0m.					

## 2. Specifications

Model Name			S3NM24K22DA [PC24SK NSK]	
Power Supply		V, Ø, Hz	220-240, 1, 50	
			220, 1, 60	
Capacity(Nominal)	Cooling	kW	6.6	
	Heating	kW	7.5	
Power Input	Min./Nom./Max.	W	27 / 45 / 60	
Running Current	Min./Nom./Max.	A	0.24 / 0.33 / 0.40	
Casing Color			-	Munsell 7.5BG 10/2 (RAL 9016)
Dimensions	Body	W x H x D	mm	998 x 345 x 210
		W x H x D	inch	39-9/32 x 13-19/32 x 8-9/32
	Shipping	W x H x D	mm	1,053 x 424 x 278
		W x H x D	inch	41-15/32 x 16-11/16 x 10-15/16
Weight	Body	kg (lbs)	12.7 (28.0)	
	Shipping	kg (lbs)	16.0 (35.3)	
Heat Exchanger	(Row x Column x Fins per inch) x No.		-	(2 x 16 x 20) x 1
	Face Area		m <sup>2</sup> (ft <sup>2</sup> )	0.28 (3.01)
	Corrosion Protection		-	PCM
	Fin Type		-	Slit
	Material, Tube / Fin		-	Cu / Al
Fan	Type		-	Cross Flow Fan
	Air Flow Rate	(Cooling) SH / H / M / L	m <sup>3</sup> /min	18.3 / 16.1 / 13.1 / 10.5
			ft <sup>3</sup> /min	646 / 569 / 463 / 371
		(Heating) SH / H / M / L	m <sup>3</sup> /min	19.8 / 17.6 / 14.3 / 11.0
			ft <sup>3</sup> /min	699 / 622 / 505 / 388
Fan Motor	Type		-	BLDC
	Output		W x No.	60 x 1
Sound Pressure Level		(Cooling) SH / H / M / L / SL	dB(A)	49 / 47 / 42 / 34 / 31
		(Heating) SH / H / M / L / SL	dB(A)	50 / 47 / 42 / 34 / -
Sound Power Level		Rated	dB(A)	65
Piping Connections	Liquid		mm(inch)	Ø 6.35 (1/4)
	Gas		mm(inch)	Ø 15.88 (5/8)
	Drain	O.D. / I.D.	mm	Ø 21.5 / 16.0
Safety Devices			-	Fuse
			-	Thermal Preotector for Fan Motor
Connections Method			-	Flared
Power and Communication Cable (included Earth)			No. x mm <sup>2</sup>	4C x 0.75

### Note

1. Due to our policy of innovation some specifications may be changed without notification.
2. Wiring cable size must comply with the applicable local and national code. And "Electric characteristics" chapter should be considered for electrical work and design. Especially the power cable and circuit breaker should be selected in accordance with that.
3. Sound Level Values are measured at Noise Measuring chamber accordance with standard. Therefore, these values depend on the ambient conditions and values are normally higher in actual operation(Sound Pressure : LG Internal standard, Sound Power : EN 12102 (ISO 3741).
4. Capacities are net capacities and based on the following conditions. Refer to the Outdoor Unit Specifications for calculating the real capacity.
  - Cooling : Indoor Ambient Temp. 27°CDB / 19°CWB, Outdoor Ambient Temp. 35°CDB / 24°CWB
  - Heating : Indoor Ambient Temp. 20°CDB / 15°CWB, Outdoor Ambient Temp. 7°CDB / 6°CWB
  - Interconnected Pipe is standard length and difference of Elevation (Outdoor ~ Indoor Unit) is 0m.

## 2. Specifications

### Standard 2

Model Name				ZMNW07GSJB1 [MS07ET NSJ]
Power Supply		V, Ø, Hz		220-240, 1, 50 220, 1, 60
Capacity(Nominal)	Cooling	kW		2.1
	Heating	kW		2.3
Power Input	Min./Nom./Max.		W	11 / 17 / 30
Running Current	Min./Nom./Max.		A	0.10 / 0.14 / 0.20
Casing Color				Munsell 7.5BG 10/2 (RAL 9016)
Dimensions	Body	W x H x D	mm	837 x 308 x 189
		W x H x D	inch	32-15/16 x 12-1/8 x 7-7/16
	Shipping	W x H x D	mm	909 x 383 x 256
		W x H x D	inch	35-25/32 x 15-3/32 x 10-3/32
Weight	Body		kg (lbs)	8.7 (19.2)
	Shipping		kg (lbs)	12.0 (26.5)
Heat Exchanger	(Row x Column x Fins per inch) x No.		-	(2 x 15 x 21) x 1
	Face Area		m <sup>2</sup> (ft <sup>2</sup> )	0.19 (2.05)
	Corrosion Protection		-	PCM
	Fin Type		-	Slit
	Material, Tube / Fin		-	Cu / Al
Fan	Type		-	Cross Flow Fan
	Air Flow Rate	H / M / L	m <sup>3</sup> /min	8.6 / 7.2 / 5.6
		H / M / L	ft <sup>3</sup> /min	304 / 254 / 198
Fan Motor	Type		-	BLDC
	Output		W x No.	30 x 1
Sound Pressure Level		H / M / L	dB(A)	35 / 32 / 27
Sound Power Level		Rated	dB(A)	57
Piping Connections	Liquid		mm(inch)	Ø 6.35 (1/4)
	Gas		mm(inch)	Ø 9.52 (3/8)
	Drain	O.D. / I.D.	mm	Ø 21.5 / 16.0
Safety Devices				Fuse Thermal Protector for Fan Motor
Connections Method				Flared
Power and Communication Cable (included Earth)			No. x mm <sup>2</sup>	4C x 0.75

**Note**

- Due to our policy of innovation some specifications may be changed without notification.
- Wiring cable size must comply with the applicable local and national code. And "Electric characteristics" chapter should be considered for electrical work and design. Especially the power cable and circuit breaker should be selected in accordance with that.
- Sound Level Values are measured at Noise Measuring chamber accordance with standard. Therefore, these values depend on the ambient conditions and values are normally higher in actual operation(Sound Pressure : LG Internal standard, Sound Power : EN 12102 (ISO 3741).
- Capacities are net capacities and based on the following conditions. Refer to the Outdoor Unit Specifications for calculating the real capacity.
  - Cooling : Indoor Ambient Temp. 27°CDB / 19°CWB, Outdoor Ambient Temp. 35°CDB / 24°CWB
  - Heating : Indoor Ambient Temp. 20°CDB / 15°CWB, Outdoor Ambient Temp. 7°CDB / 6°CWB
  - Interconnected Pipe is standard length and difference of Elevation (Outdoor ~ Indoor Unit) is 0m.

## 2. Specifications

Model Name			S3NM09JA3FA [S09ET NSJ]	S3NM12JA3FA [S12ET NSJ]
Power Supply		V, Ø, Hz	220-240, 1, 50 220, 1, 60	220-240, 1, 50 220, 1, 60
Capacity(Nominal)	Cooling	kW	2.5	3.5
	Heating	kW	3.3	4.0
Power Input	Min./Nom./Max.	W	11 / 18 / 30	11 / 19 / 30
Running Current	Min./Nom./Max.	A	0.10 / 0.16 / 0.20	0.10 / 0.17 / 0.20
Casing Color		-	Munsell 7.5BG 10/2 (RAL 9016)	
Dimensions	Body	W x H x D	mm	837 x 308 x 189
		W x H x D	inch	32-15/16 x 12-1/8 x 7-7/16
	Shipping	W x H x D	mm	882 x 385 x 253
		W x H x D	inch	34-23/32 x 15-5/32 x 9-31/32
Weight	Body	kg (lbs)	8.7 (19.2)	8.7 (19.2)
	Shipping	kg (lbs)	11.7 (25.8)	11.7 (25.8)
Heat Exchanger	(Row x Column x Fins per inch) x No.		-	(2 x 15 x 21) x 1
	Face Area		m <sup>2</sup> (ft <sup>2</sup> )	0.19 (2.05)
	Corrosion Protection		-	PCM
	Fin Type		-	Slit
	Material, Tube / Fin		-	Cu / Al
Fan	Type		-	Cross Flow Fan
	Air Flow Rate	SH / H / M / L	m <sup>3</sup> /min	12.2 / 9.2 / 7.4 / 5.6
		SH / H / M / L	ft <sup>3</sup> /min	431 / 325 / 261 / 198
Fan Motor	Type		-	BLDC
	Output		W x No.	30 x 1
Sound Pressure Level		SH / H / M / L / SL	dB(A)	44 / 36 / 33 / 27 / 19
Sound Power Level		Rated	dB(A)	57
Piping Connections	Liquid		mm(inch)	Ø 6.35 (1/4)
	Gas		mm(inch)	Ø 9.52 (3/8)
	Drain	O.D. / I.D.	mm	Ø 21.5 / 16.0
Safety Devices		-	Fuse	Fuse
		-	Thermal Protector for Fan Motor	
Connections Method		-	Flared	Flared
Power and Communication Cable (included Earth)		No. x mm <sup>2</sup>	4C x 0.75	4C x 0.75
<b>Note</b>				
1. Due to our policy of innovation some specifications may be changed without notification.				
2. Wiring cable size must comply with the applicable local and national code. And "Electric characteristics" chapter should be considered for electrical work and design. Especially the power cable and circuit breaker should be selected in accordance with that.				
3. Sound Level Values are measured at Noise Measuring chamber accordance with standard. Therefore, these values depend on the ambient conditions and values are normally higher in actual operation(Sound Pressure : LG Internal standard, Sound Power : EN 12102 (ISO 3741).				
4. Capacities are net capacities and based on the following conditions. Refer to the Outdoor Unit Specifications for calculating the real capacity.				
<ul style="list-style-type: none"> <li>• Cooling : Indoor Ambient Temp. 27°CDB / 19°CWB, Outdoor Ambient Temp. 35°CDB / 24°CWB</li> <li>• Heating : Indoor Ambient Temp. 20°CDB / 15°CWB, Outdoor Ambient Temp. 7°CDB / 6°CWB</li> <li>• Interconnected Pipe is standard length and difference of Elevation (Outdoor ~ Indoor Unit) is 0m.</li> </ul>				

## 2. Specifications

Model Name				S3NM18KL3FA [S18ET NSK]
Power Supply		V, Ø, Hz		220-240, 1, 50
				220, 1, 60
Capacity(Nominal)	Cooling	kW		5.0
	Heating	kW		5.8
Power Input	Min./Nom./Max.		W	26 / 39 / 60
Running Current	Min./Nom./Max.		A	0.22 / 0.28 / 0.40
Casing Color				Munsell 7.5BG 10/2 (RAL 9016)
Dimensions	Body	W x H x D	mm	998 x 345 x 210
		W x H x D	inch	39-9/32 x 13-19/32 x 8-9/32
	Shipping	W x H x D	mm	1,053 x 424 x 278
		W x H x D	inch	41-15/32 x 16-11/16 x 10-15/16
Weight	Body		kg (lbs)	11.9 (26.2)
	Shipping		kg (lbs)	14.8 (32.6)
Heat Exchanger	(Row x Column x Fins per inch) x No.		-	(2 x 16 x 20) x 1
	Face Area		m <sup>2</sup> (ft <sup>2</sup> )	0.28 (3.01)
	Corrosion Protection		-	PCM
	Fin Type		-	Slit
	Material, Tube / Fin		-	Cu / Al
Fan	Type		-	Cross Flow Fan
	Air Flow Rate	SH / H / M / L	m <sup>3</sup> /min	18.5 / 14.2 / 11.3 / 9.9
		SH / H / M / L	ft <sup>3</sup> /min	653 / 501 / 399 / 350
Fan Motor	Type		-	BLDC
	Output		W x No.	60 x 1
Sound Pressure Level		SH / H / M / L / SL	dB(A)	48 / 44 / 38 / 35 / 31
Sound Power Level		Rated	dB(A)	60
Piping Connections	Liquid		mm(inch)	Ø 6.35 (1/4)
	Gas		mm(inch)	Ø 12.7 (1/2)
	Drain	O.D. / I.D.	mm	Ø 21.5 / 16.0
Safety Devices				-
				-
Connections Method				Flared
Power and Communication Cable (included Earth)			No. x mm <sup>2</sup>	4C x 0.75
<b>Note</b>				
1. Due to our policy of innovation some specifications may be changed without notification.				
2. Wiring cable size must comply with the applicable local and national code. And "Electric characteristics" chapter should be considered for electrical work and design. Especially the power cable and circuit breaker should be selected in accordance with that.				
3. Sound Level Values are measured at Noise Measuring chamber accordance with standard. Therefore, these values depend on the ambient conditions and values are normally higher in actual operation(Sound Pressure : LG Internal standard, Sound Power : EN 12102 (ISO 3741).				
4. Capacities are net capacities and based on the following conditions. Refer to the Outdoor Unit Specifications for calculating the real capacity.				
• Cooling : Indoor Ambient Temp. 27°CDB / 19°CWB, Outdoor Ambient Temp. 35°CDB / 24°CWB				
• Heating : Indoor Ambient Temp. 20°CDB / 15°CWB, Outdoor Ambient Temp. 7°CDB / 6°CWB				
• Interconnected Pipe is standard length and difference of Elevation (Outdoor ~ Indoor Unit) is 0m.				

## 2. Specifications

Model Name			S3NM24K23FA [S24ET NSK]	
Power Supply		V, Ø, Hz	220-240, 1, 50	
			220, 1, 60	
Capacity(Nominal)	Cooling	kW	6.6	
	Heating	kW	7.5	
Power Input	Min./Nom./Max.	W	27 / 45 / 60	
Running Current	Min./Nom./Max.	A	0.24 / 0.33 / 0.40	
Casing Color			-	Munsell 7.5BG 10/2 (RAL 9016)
Dimensions	Body	W x H x D	mm	998 x 345 x 210
		W x H x D	inch	39-9/32 x 13-19/32 x 8-9/32
	Shipping	W x H x D	mm	1,053 x 424 x 278
		W x H x D	inch	41-15/32 x 16-11/16 x 10-15/16
Weight	Body		kg (lbs)	12.7 (28.0)
	Shipping		kg (lbs)	16.0 (35.3)
Heat Exchanger	(Row x Column x Fins per inch) x No.		-	(2 x 16 x 20) x 1
	Face Area		m <sup>2</sup> (ft <sup>2</sup> )	0.28 (3.01)
	Corrosion Protection		-	PCM
	Fin Type		-	Slit
	Material, Tube / Fin		-	Cu / Al
Fan	Type		-	Cross Flow Fan
	Air Flow Rate	(Cooling) SH / H / M / L	m <sup>3</sup> /min	18.3 / 16.1 / 13.1 / 10.5
			ft <sup>3</sup> /min	646 / 569 / 463 / 371
		(Heating) SH / H / M / L	m <sup>3</sup> /min	19.8 / 17.6 / 14.3 / 11.0
			ft <sup>3</sup> /min	699 / 622 / 505 / 388
Fan Motor	Type		-	BLDC
	Output		W x No.	58 x 1
Sound Pressure Level		(Cooling) SH / H / M / L / SL	dB(A)	49 / 47 / 42 / 34 / 31
		(Heating) SH / H / M / L / SL	dB(A)	50 / 47 / 42 / 34 / -
Sound Power Level		Rated	dB(A)	65
Piping Connections	Liquid		mm(inch)	Ø 6.35 (1/4)
	Gas		mm(inch)	Ø 15.88 (5/8)
	Drain	O.D. / I.D.	mm	Ø 21.5 / 16.0
Safety Devices			-	Fuse
			-	Thermal Preotector for Fan Motor
Connections Method			-	Flared
Power and Communication Cable (included Earth)			No. x mm <sup>2</sup>	4C x 1.0

### Note

1. Due to our policy of innovation some specifications may be changed without notification.
2. Wiring cable size must comply with the applicable local and national code. And "Electric characteristics" chapter should be considered for electrical work and design. Especially the power cable and circuit breaker should be selected in accordance with that.
3. Sound Level Values are measured at Noise Measuring chamber accordance with standard. Therefore, these values depend on the ambient conditions and values are normally higher in actual operation(Sound Pressure : LG Internal standard, Sound Power : EN 12102 (ISO 3741).
4. Capacities are net capacities and based on the following conditions. Refer to the Outdoor Unit Specifications for calculating the real capacity.
  - Cooling : Indoor Ambient Temp. 27°CDB / 19°CWB, Outdoor Ambient Temp. 35°CDB / 24°CWB
  - Heating : Indoor Ambient Temp. 20°CDB / 15°CWB, Outdoor Ambient Temp. 7°CDB / 6°CWB
  - Interconnected Pipe is standard length and difference of Elevation (Outdoor ~ Indoor Unit) is 0m.

## 2. Specifications

Model Name			ZMNW07GSAB1 [MS07ET NSA]	
Power Supply		V, Ø, Hz	220-240, 1, 50	
			220, 1, 60	
Capacity(Nominal)	Cooling	kW	2.1	
	Heating	kW	2.3	
Power Input	Min./Nom./Max.	W	11 / 18 / 30	
Running Current	Min./Nom./Max.	A	0.10 / 0.14 / 0.20	
Casing Color			-	Munsell 7.5BG 10/2 (RAL 9016)
Dimensions	Body	W x H x D	mm	754 x 308 x 189
		W x H x D	inch	29-11/16 x 12-1/8 x 7-7/16
	Shipping	W x H x D	mm	808 x 381 x 246
		W x H x D	inch	31-1/2 x 15 x 9-11/16
Weight	Body		kg (lbs)	7.8 (17.2)
	Shipping		kg (lbs)	9.5 (20.9)
Heat Exchanger	(Row x Column x Fins per inch) x No.		-	(2 x 15 x 21) x 1
	Face Area		m <sup>2</sup> (ft <sup>2</sup> )	0.17 (1.83)
	Corrosion Protection		-	PCM
	Fin Type		-	Slit
	Material, Tube / Fin		-	Cu / Al
Fan	Type		-	Cross Flow Fan
	Air Flow Rate	(Cooling) SH / H / M / L	m <sup>3</sup> /min	- / 6.6 / 5.3 / 3.5
			ft <sup>3</sup> /min	- / 233 / 187 / 124
		(Heating) SH / H / M / L	m <sup>3</sup> /min	- / 7.2 / 5.7 / 4.5
			ft <sup>3</sup> /min	- / 254 / 201 / 159
Fan Motor	Type		-	BLDC
	Output		W x No.	30 x 1
Sound Pressure Level	(Cooling) SH / H / M / L / SL		dB(A)	- / 37 / 32 / 27 / -
	(Heating) SH / H / M / L / SL		dB(A)	- / 37 / 31 / 25 / -
Sound Power Level	Rated		dB(A)	57
Piping Connections	Liquid		mm(inch)	Ø 6.35 (1/4)
	Gas		mm(inch)	Ø 9.52 (3/8)
	Drain	O.D. / I.D.	mm	Ø 21.5 / 16.0
Safety Devices			-	Fuse
			-	Thermal Preotector for Fan Motor
Connections Method			-	Flared
Power and Communication Cable (included Earth)			No. x mm <sup>2</sup>	4C x 0.75

### Note

1. Due to our policy of innovation some specifications may be changed without notification.
2. Wiring cable size must comply with the applicable local and national code. And "Electric characteristics" chapter should be considered for electrical work and design. Especially the power cable and circuit breaker should be selected in accordance with that.
3. Sound Level Values are measured at Noise Measuring chamber accordance with standard. Therefore, these values depend on the ambient conditions and values are normally higher in actual operation(Sound Pressure : LG Internal standard, Sound Power : EN 12102 (ISO 3741).
4. Capacities are net capacities and based on the following conditions. Refer to the Outdoor Unit Specifications for calculating the real capacity.
  - Cooling : Indoor Ambient Temp. 27°CDB / 19°CWB, Outdoor Ambient Temp. 35°CDB / 24°CWB
  - Heating : Indoor Ambient Temp. 20°CDB / 15°CWB, Outdoor Ambient Temp. 7°CDB / 6°CWB
  - Interconnected Pipe is standard length and difference of Elevation (Outdoor ~ Indoor Unit) is 0m.

## 2. Specifications

### Air Purification

Model Name			S3NM09JA10B [AP09RK NSJ]	
Power Supply		V, Ø, Hz	220-240, 1, 50	
			220, 1, 60	
Capacity(Nominal)	Cooling	kW	2.5	
	Heating	kW	3.3	
Power Input	Min./Nom./Max.	W	11 / 18 / 30	
Running Current	Min./Nom./Max.	A	0.10 / 0.16 / 0.20	
Casing Color		-	Munsell 7.5PB 0.2/20 (RAL 9005)	
Dimensions	Body	W x H x D	mm	857 x 348 x 189
		W x H x D	inch	33-3/4 x 13-11/16 x 7-7/16
	Shipping	W x H x D	mm	921 x 398 x 256
		W x H x D	inch	36-1/4 x 15-21/32 x 10-3/32
Weight	Body	kg (lbs)	9.4 (20.7)	
	Shipping	kg (lbs)	12.6 (27.8)	
Heat Exchanger	(Row x Column x Fins per inch) x No.		-	(2 x 15 x 21) x 1
	Face Area		m <sup>2</sup> (ft <sup>2</sup> )	0.19 (2.05)
	Corrosion Protection		-	PCM
	Fin Type		-	Slit
	Material, Tube / Fin		-	Cu / Al
Fan	Type		-	Cross Flow Fan
	Air Flow Rate	(Cooling) SH / H / M / L	m <sup>3</sup> /min	11.0 / 10.0 / 6.6 / 4.2
			ft <sup>3</sup> /min	388 / 353 / 233 / 148
		(Heating) SH / H / M / L	m <sup>3</sup> /min	11.8 / 10.0 / 6.6 / 5.6
			ft <sup>3</sup> /min	417 / 353 / 233 / 198
Fan Motor	Type	-	BLDC	
	Output	W x No.	30 x 1	
Sound Pressure Level	(Cooling) SH / H / M / L / SL		dB(A)	47 / 41 / 35 / 27 / 21
	(Heating) SH / H / M / L / SL		dB(A)	45 / 41 / 35 / 30 / -
Sound Power Level	Rated		dB(A)	59
Piping Connections	Liquid		mm(inch)	Ø 6.35 (1/4)
	Gas		mm(inch)	Ø 9.52 (3/8)
	Drain	O.D. / I.D.	mm	21.5 / 16.0
Safety Devices		-	Fuse	
		-	Thermal Protector for Fan Motor	
Connections Method		-	Flared	
Power and Communication Cable (included Earth)		No. x mm <sup>2</sup>	4C x 0.75	

**Note**

1. Due to our policy of innovation some specifications may be changed without notification.
2. Wiring cable size must comply with the applicable local and national code. And "Electric characteristics" chapter should be considered for electrical work and design. Especially the power cable and circuit breaker should be selected in accordance with that.
3. Sound Level Values are measured at Noise Measuring chamber accordance with standard. Therefore, these values depend on the ambient conditions and values are normally higher in actual operation(Sound Pressure : LG Internal standard, Sound Power : EN 12102 (ISO 3741).
4. Capacities are net capacities and based on the following conditions. Refer to the Outdoor Unit Specifications for calculating the real capacity.
  - Cooling : Indoor Ambient Temp. 27°CDB / 19°CWB, Outdoor Ambient Temp. 35°CDB / 24°CWB
  - Heating : Indoor Ambient Temp. 20°CDB / 15°CWB, Outdoor Ambient Temp. 7°CDB / 6°CWB
  - Interconnected Pipe is standard length and difference of Elevation (Outdoor ~ Indoor Unit) is 0m.



## 2. Specifications

Model Name			S3NM12JA10B [AP12RK NSJ]	
Power Supply		V, Ø, Hz	220-240, 1, 50	
			220, 1, 60	
Capacity(Nominal)	Cooling	kW	3.5	
	Heating	kW	4.0	
Power Input	Min./Nom./Max.	W	11 / 19 / 30	
Running Current	Min./Nom./Max.	A	0.10 / 0.17 / 0.20	
Casing Color			-	Munsell 7.5PB 0.2/20 (RAL 9005)
Dimensions	Body	W x H x D	mm	857 x 348 x 189
		W x H x D	inch	33-3/4 x 13-11/16 x 7-7/16
	Shipping	W x H x D	mm	921 x 398 x 256
		W x H x D	inch	36-1/4 x 15-21/32 x 10-3/32
Weight	Body		kg (lbs)	9.4 (20.7)
	Shipping		kg (lbs)	12.6 (27.8)
Heat Exchanger	(Row x Column x Fins per inch) x No.		-	(2 x 15 x 21) x 1
	Face Area		m <sup>2</sup> (ft <sup>2</sup> )	0.19 (2.05)
	Corrosion Protection		-	PCM
	Fin Type		-	Slit
	Material, Tube / Fin		-	Cu / Al
Fan	Type		-	Cross Flow Fan
	Air Flow Rate	(Cooling) SH / H / M / L	m <sup>3</sup> /min	11.0 / 10.0 / 6.6 / 4.2
			ft <sup>3</sup> /min	388 / 353 / 233 / 148
		(Heating) SH / H / M / L	m <sup>3</sup> /min	11.8 / 10.0 / 6.6 / 5.6
			ft <sup>3</sup> /min	417 / 353 / 233 / 198
Fan Motor	Type		-	BLDC
	Output		W x No.	30 x 1
Sound Pressure Level	(Cooling) SH / H / M / L / SL		dB(A)	47 / 41 / 35 / 27 / 21
	(Heating) SH / H / M / L / SL		dB(A)	45 / 41 / 35 / 30 / -
Sound Power Level	Rated		dB(A)	59
Piping Connections	Liquid		mm(inch)	Ø 6.35 (1/4)
	Gas		mm(inch)	Ø 9.52 (3/8)
	Drain	O.D. / I.D.	mm	21.5 / 16.0
Safety Devices			-	Fuse
			-	Thermal Preotector for Fan Motor
Connections Method			-	Flared
Power and Communication Cable (included Earth)			No. x mm <sup>2</sup>	4C x 0.75

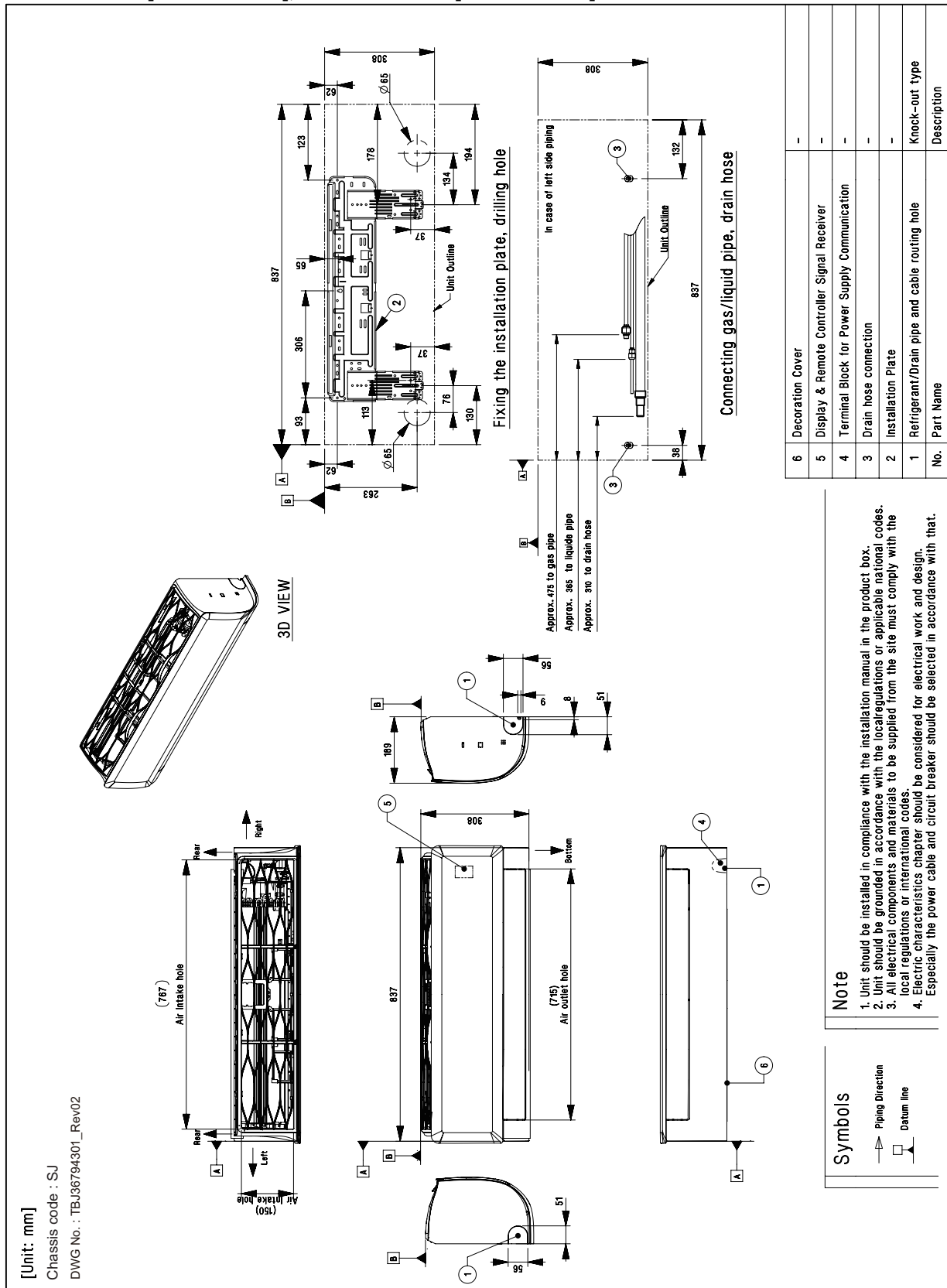
**Note**

1. Due to our policy of innovation some specifications may be changed without notification.
2. Wiring cable size must comply with the applicable local and national code. And "Electric characteristics" chapter should be considered for electrical work and design. Especially the power cable and circuit breaker should be selected in accordance with that.
3. Sound Level Values are measured at Noise Measuring chamber accordance with standard. Therefore, these values depend on the ambient conditions and values are normally higher in actual operation(Sound Pressure : LG Internal standard, Sound Power : EN 12102 (ISO 3741).
4. Capacities are net capacities and based on the following conditions. Refer to the Outdoor Unit Specifications for calculating the real capacity.
  - Cooling : Indoor Ambient Temp. 27°CDB / 19°CWB, Outdoor Ambient Temp. 35°CDB / 24°CWB
  - Heating : Indoor Ambient Temp. 20°CDB / 15°CWB, Outdoor Ambient Temp. 7°CDB / 6°CWB
  - Interconnected Pipe is standard length and difference of Elevation (Outdoor ~ Indoor Unit) is 0m.

# 3. Dimensions

## ◆ Deluxe (SJ Chassis)

S3NM09JL1ZA [DC09RQ NSJ], S3NM12JL1ZA [DC12RQ NSJ], ZMNW07GJLW1 [DM07RK NSJ], S3NM09JL1MA [DC09RK NSJ], S3NM12JL1MA [DC12RK NSJ]



# 3. Dimensions

## ◆ Standard Plus / Standard 2 (SJ Chassis)

S3NM09JA2DA [PC09SK NSJ], S3NM12JA2DA [PC12SK NSJ], ZMNW07GSJB1 [MS07ET NSJ], S3NM09JA3FA [S09ET NSJ], S3NM12JA3FA [S12ET NSJ]

3D VIEW

Height: 150

Depth: 767

Rear Air Intake hole

Top View Dimensions: 837, 308, 123, 178, 194, 62, 37, 113, 76, 130, 263, 65, 93, 306, 59, 37, 132, 38, 68.

Front View Dimensions: 189, 56, 51.

Side View Dimensions: 837, 715, 308, 51, 56.

**Fixing the installation plate, drilling hole**

In case of left side piping

Approx. 475 to gas pipe  
Approx. 365 to liquid pipe  
Approx. 310 to drain hose

**Connecting gas/liquid pipe, drain hose**

**Note**

- Unit should be installed in compliance with the installation manual in the product box.
- Unit should be grounded in accordance with the local regulations or applicable national codes.
- All electrical components and materials to be supplied from the site must comply with the local regulations or international codes.
- Electric characteristics chapter should be considered for electrical work and design. Especially the power cable and circuit breaker should be selected in accordance with that.

**Symbols**

- Piping Direction
- Datum line

No.	Name	Description
6	Decoration Cover	-
5	Display & Remote Controller Signal Receiver	-
4	Terminal Block for Power Supply Communication	-
3	Drain hose connection	-
2	Installation Plate	-
1	Refrigerant/Drain pipe and cable routing hole	Knock-out type

### 3. Dimensions

◆ Air Purification (SJ Chassis)

S3NM09JA10B [AP09RK NSJ], S3NM12JA10B [AP12RK NSJ]

[Unit: mm]  
Chassis : SJ  
DWG No. : TBJ36794304\_Rev01

No.	Part Name	Knock-out type	Description
1	Refrigerant, Drain pipe and cable routing hole	Knock-out type	
2	Installation Plate		
3	Drain hose connection		
4	Terminal Block for Power Supply Communication		
5	Display & Remote Controller Signal Receiver		
6	Decoration Cover		

\* If airflow direction control is available  
 Cooling: 15°, 45°  
 Heating: 15°, 65°  
 Up & Down, Left & Right

### 3. Dimensions

◆ Standard 2 (SA Chassis)

ZMNW07GSAB1 [MS07ET NSA]

[Unit: mm]  
Chassis code : SA  
DWG No. : TBN35346301\_Rev01

3D View

Rear Air Intake Hole (680.5)  
Left Air Intake Hole (150)

Air outlet hole (635)

754  
308  
51

754  
308  
51

Unit Outline  
Fitting the Installation Plate, Drilling Hole

Approx. 228 to gas pipe  
Approx. 218 to liquids pipe  
Approx. 190 to liquids pipe

In case of left side piping

Unit Outline

Connecting gas/liquid pipe

**Note**

- Unit should be installed in compliance with the installation manual in the product box.
- Unit should be grounded in accordance with the local regulations or applicable national codes.
- All electrical components and materials to be supplied from the site must comply with the local regulations or international codes.
- Electric characteristics chapter should be considered for electrical work and design. Especially the power cable and circuit breaker should be selected in accordance with that.

**Symbols**

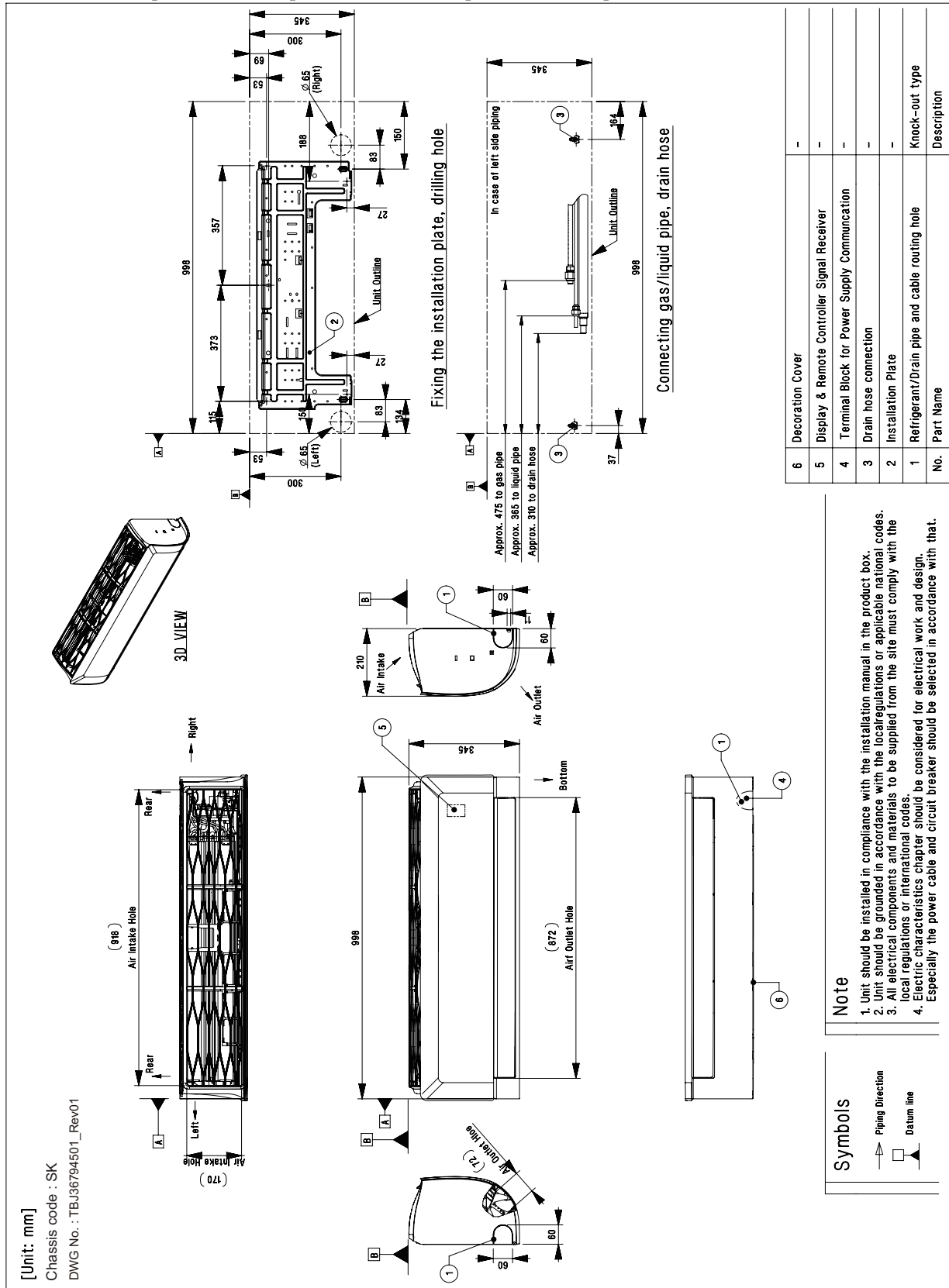
↑ Piping Direction  
□ Datum line

No.	Part Name	Description
6	Decoration Cover	-
5	Display & Remote Controller Signal Receiver	-
4	Terminal Block for Power Supply Communication	-
3	Drain hose connection	-
2	Installation Plate	-
1	Refrigerant/Drain pipe and cable routing hole	Knock-out type

### 3. Dimensions

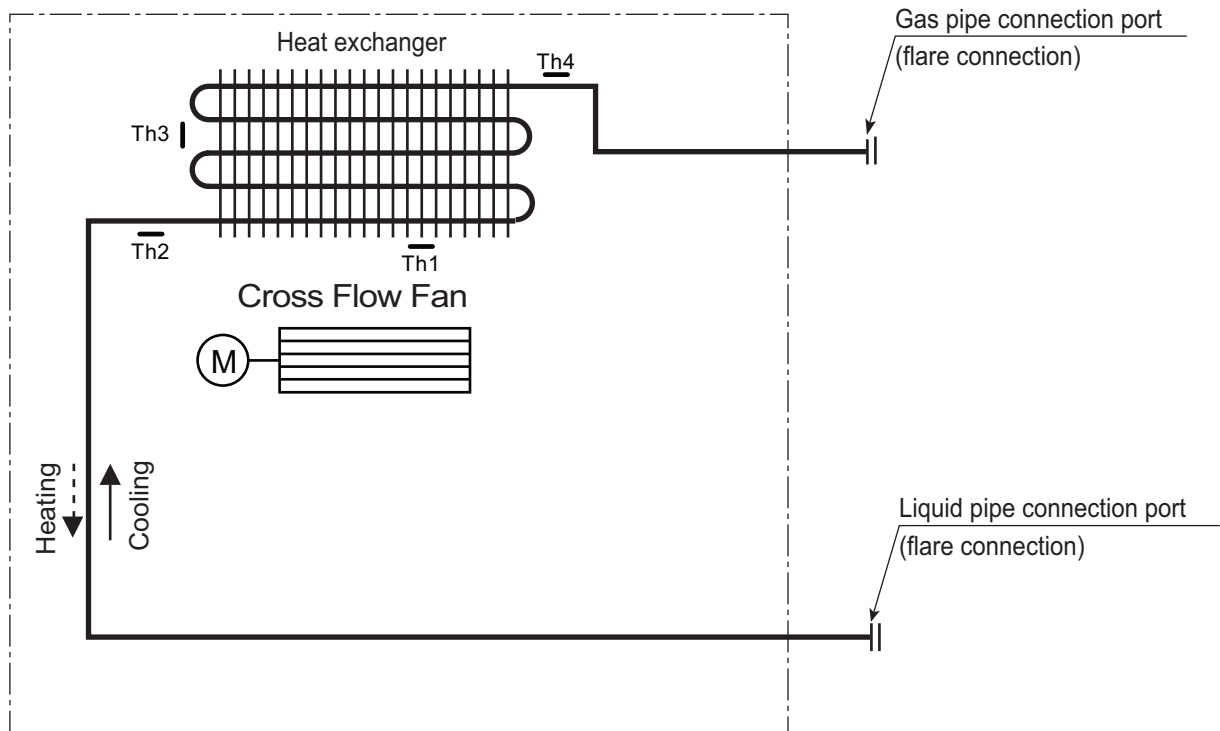
◆ Deluxe / Standard Plus / Standard 2 (SK Chassis)

S3NM18KL1ZA [DC18RQ NSK], S3NM18KL2DA [PC18SK NSK], S3NM24K21ZA [DC24RQ NSK], S3NM24K22DA [PC24SK NSK], S3NM18KL3FA [S18ET NSK], S3NM24K23FA [S24ET NSK], S3NM18KL1MA [DC18RK NSK], S3NM24K21MA [DC24RK NSK]



## 4. Piping diagrams

### ■ Models : Deluxe, Standard Plus, Standard 2, Air Purification



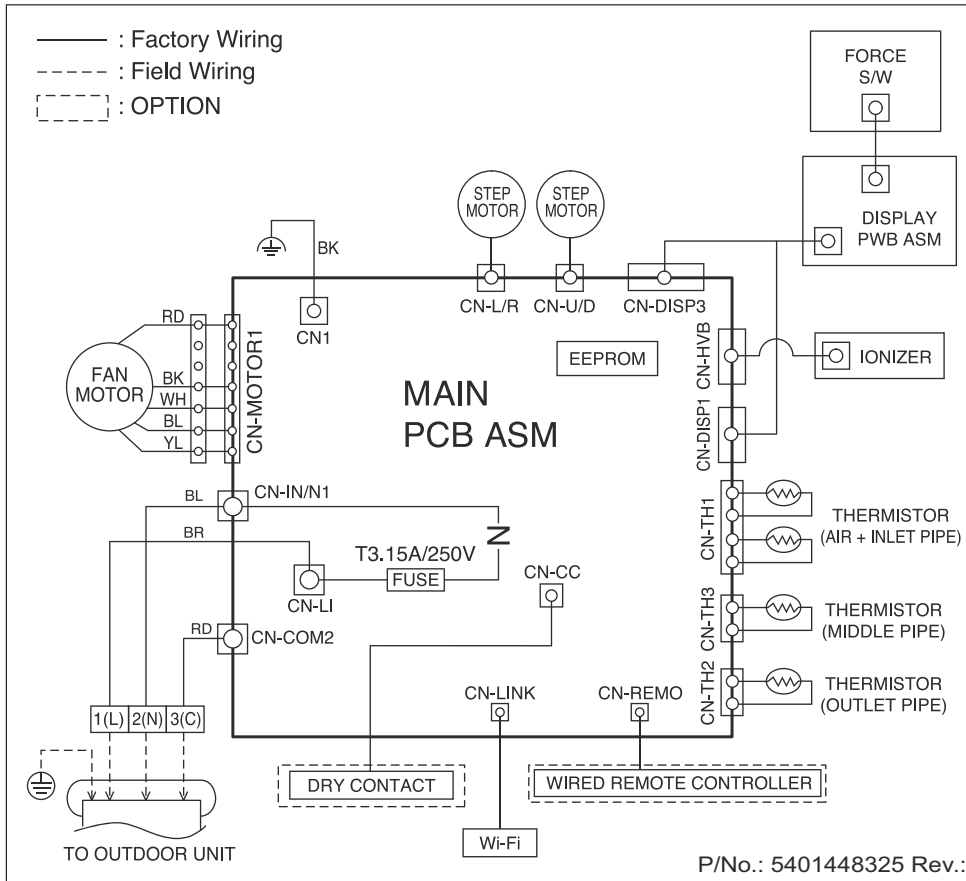
LOC.	Description	PCB Connector
Th1	Thermistor for suction air temperature	CN-TH1
Th2	Thermistor for evaporator inlet temperature	
Th3*	Thermistor for evaporator middle temperature	CN-TH3
Th4	Thermistor for evaporator outlet temperature	CN-TH2

- \* : ZMNW07GSAB1 [MS07ET NSA] model is not available.

# 5. Wiring Diagrams

## Deluxe

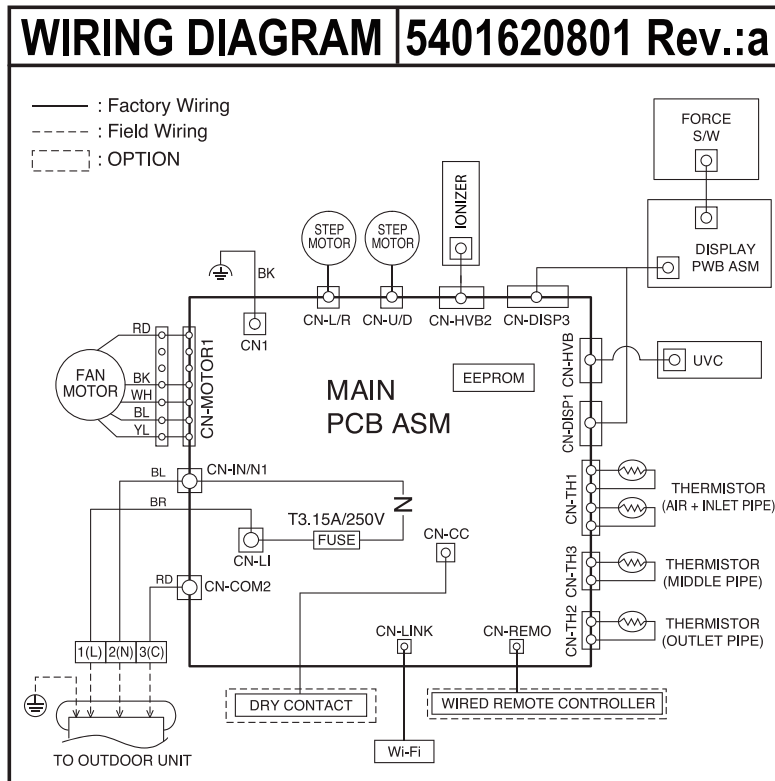
- ◆ Models : S3NM09JL1ZA [DC09RQ NSJ], S3NM12JL1ZA [DC12RQ NSJ], S3NM18KL1ZA [DC18RQ NSK], S3NM24K21ZA [DC24RQ NSK]





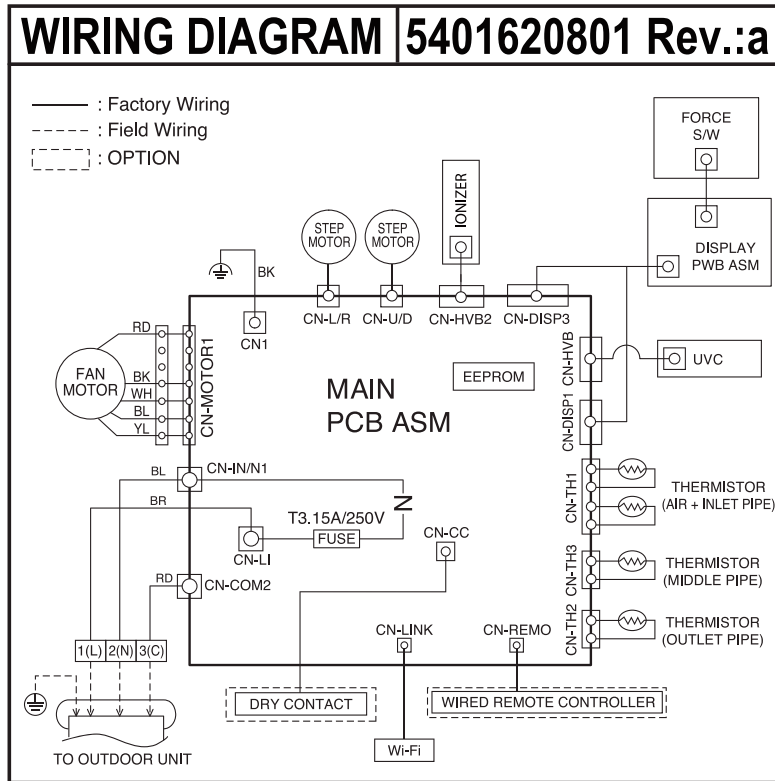
# 5. Wiring Diagrams

◆ ZMNW07GJLW1 [DM07RK NSJ]



# 5. Wiring Diagrams

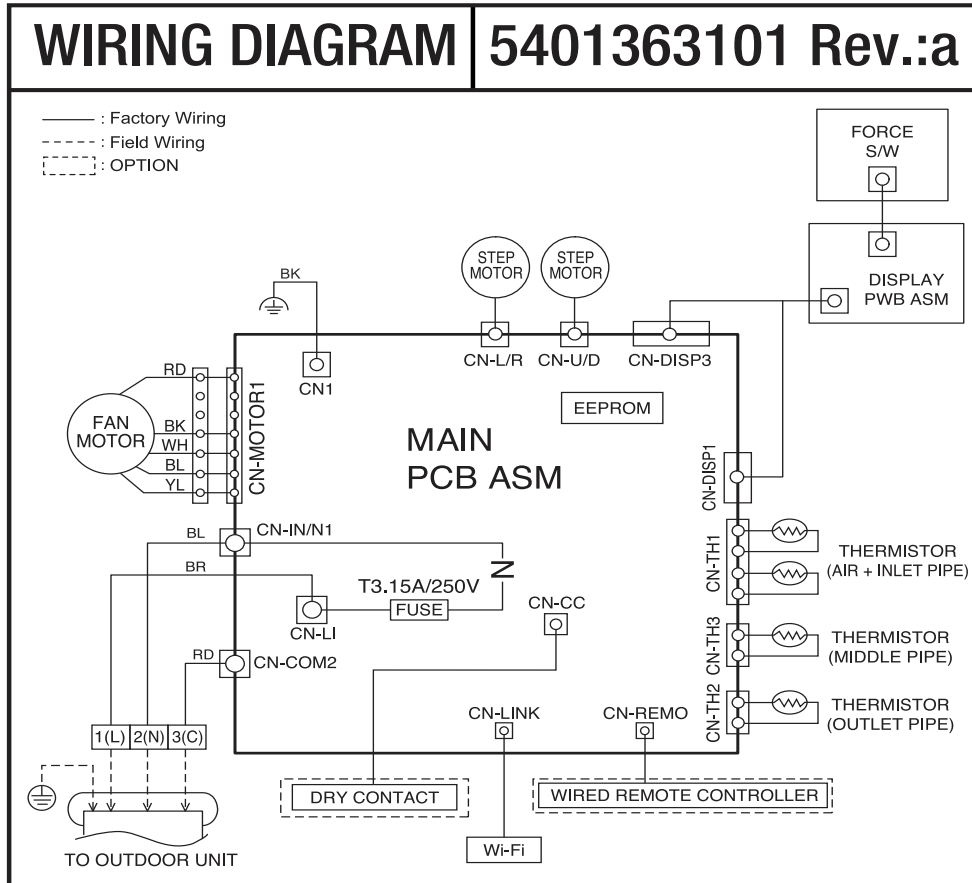
- ◆ Models : S3NM09JL1MA [DC09RK NSJ], S3NM12JL1MA [DC12RK NSJ], S3NM18KL1MA [DC18RK NSK], S3NM24K21MA [DC24RK NSK]



# 5. Wiring Diagrams

## Standard plus

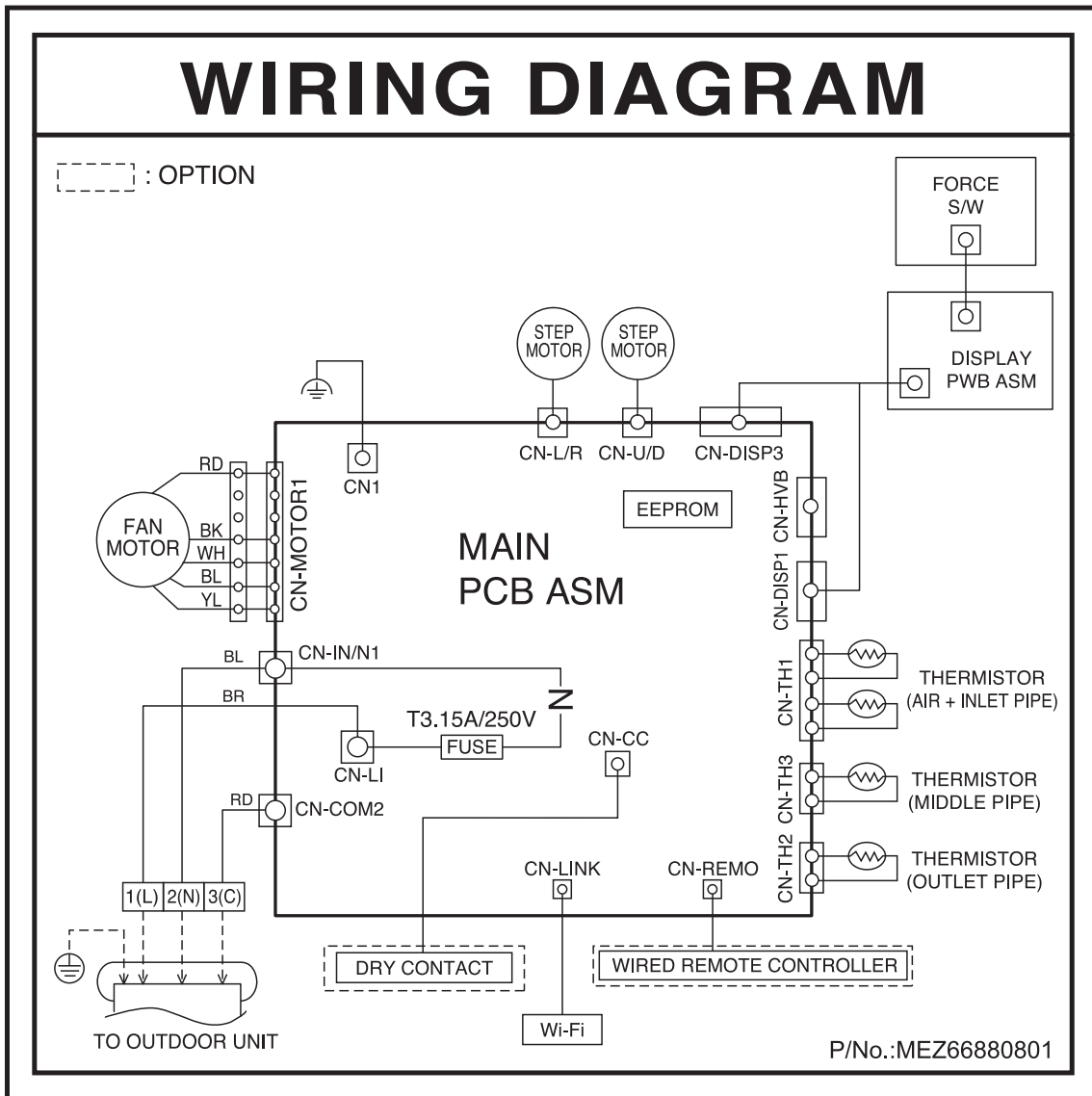
- ◆ Models : S3NM09JA2DA [PC09SK NSJ], S3NM12JA2DA [PC12SK NSJ], S3NM18KL2DA [PC18SK NSK], S3NM24K22DA [PC24SK NSK]



# 5. Wiring Diagrams

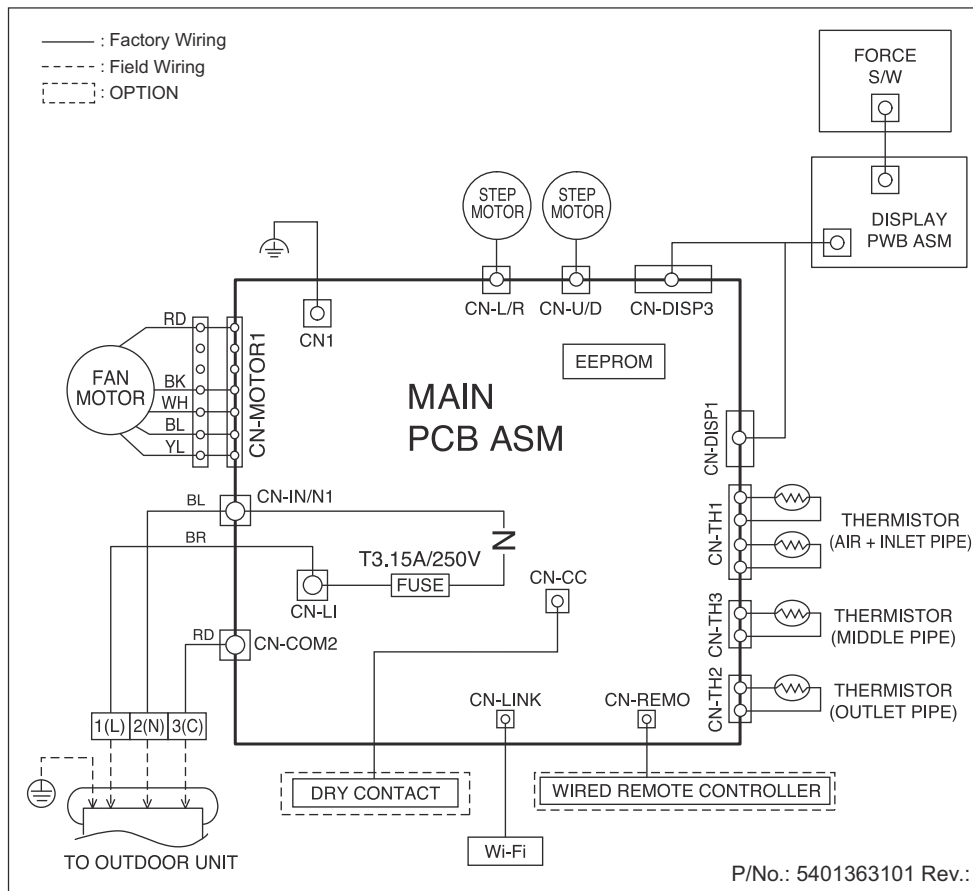
■ Standard 2

◆ ZMNW07GSJB1 [MS07ET NSJ]



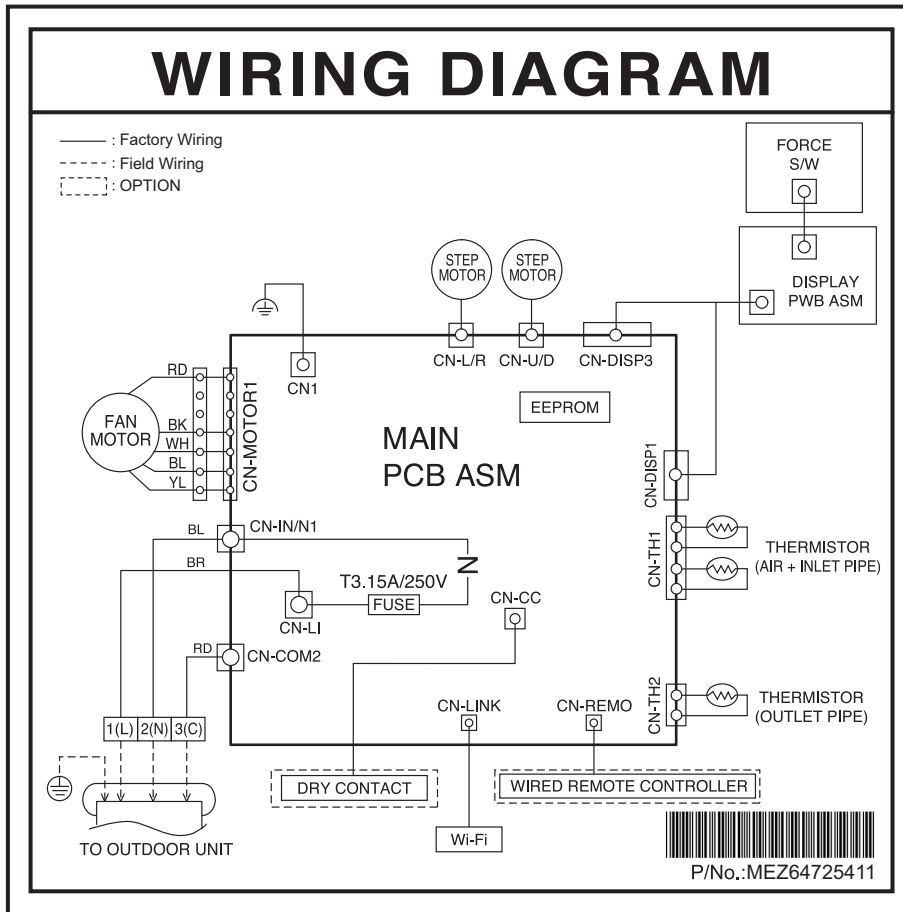
# 5. Wiring Diagrams

- ◆ Models : S3NM09JA3FA [S09ET NSJ], S3NM12JA3FA [S12ET NSJ], S3NM18KL3FA [S18ET NSK], S3NM24K23FA [S24ET NSK]



# 5. Wiring Diagrams

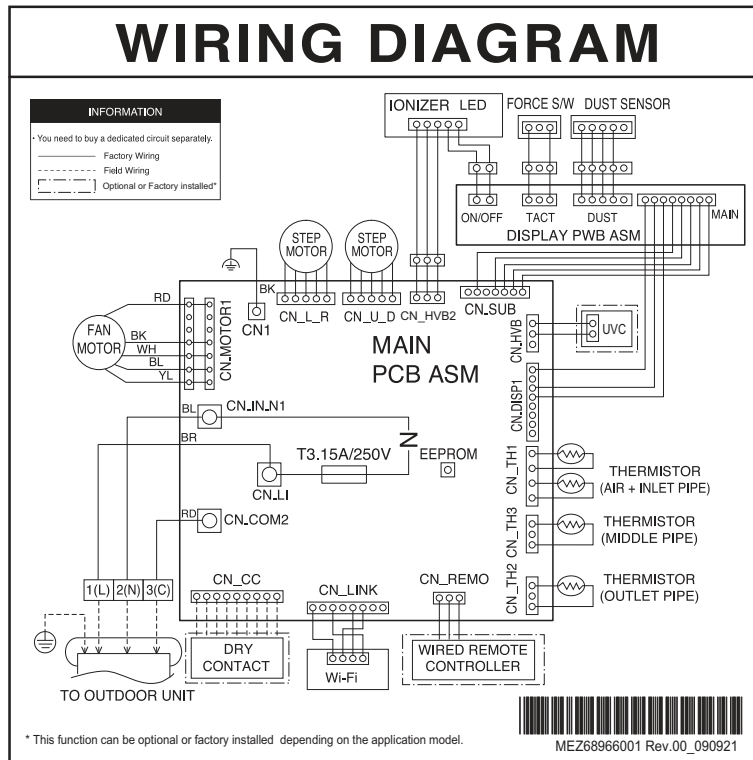
◆ ZMNW07GSAB1 [MS07ET NSA]



# 5. Wiring Diagrams

## ■ Air Purification

◆ Models : S3NM09JA10B [AP09RK NSJ], S3NM12JA10B [AP12RK NSJ]



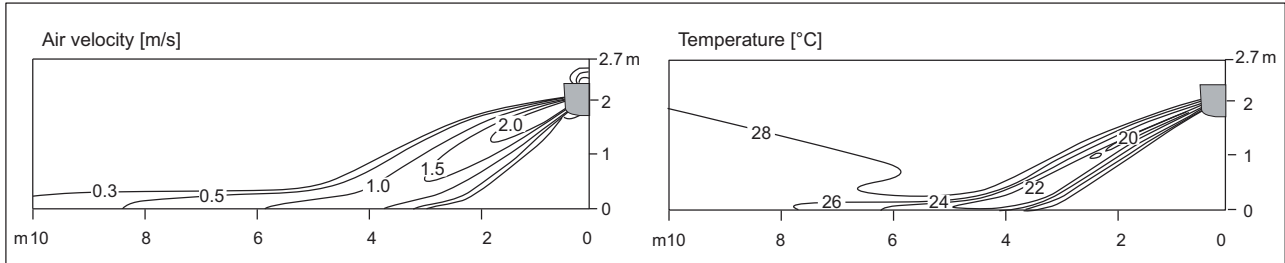
## 6. Air flow and temperature distributions (reference data)

### ■ Models : ZMNW07GJLW1 [DM07RK NSJ]

#### ◆ Cooling

##### Side View

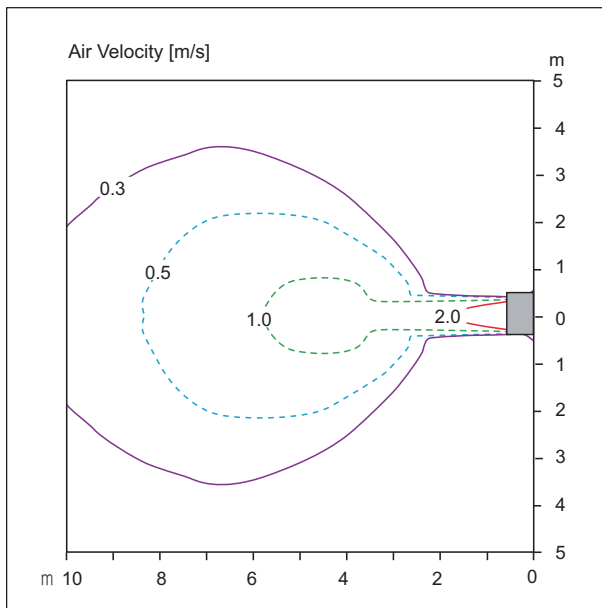
Discharge angle: 35°



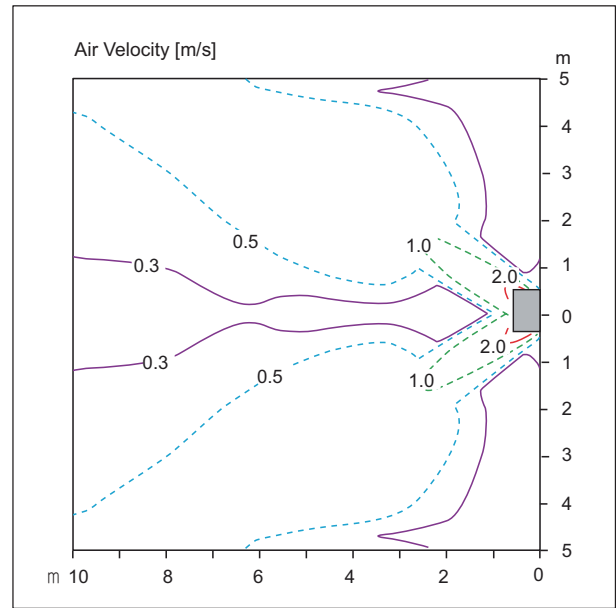
- Vertical Louver : Center
- Fan speed : Super High

##### Top View

Discharge angle: 35°



- Vertical Louver : Center
- Vertical Vane : 0°
- Fan speed : Super High
- Air speed 0.3m/s Range : 11.0m



- Vertical Louver : Left & Right
- Vertical Vane : 55°
- Fan speed : Super High

#### Note

- These figures are accordance with normal certain condition and environment.  
(Airflow step is 'Super High', Air discharge angle is fixed as indicated angle.)
- Indoor airflow distribution under actual installation or operating conditions depends on ambient temperature, ceiling height, product installation direction / location, indoor / Heating load, and other obstacles, etc.

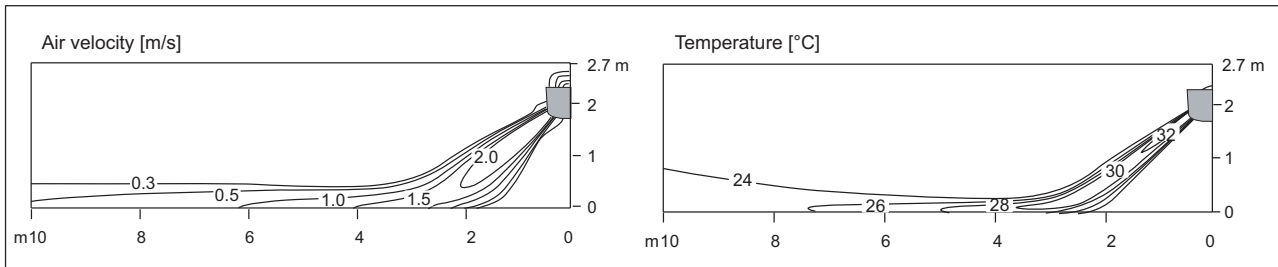


## 6. Air flow and temperature distributions (reference data)

### ◆ Heating

#### Side View

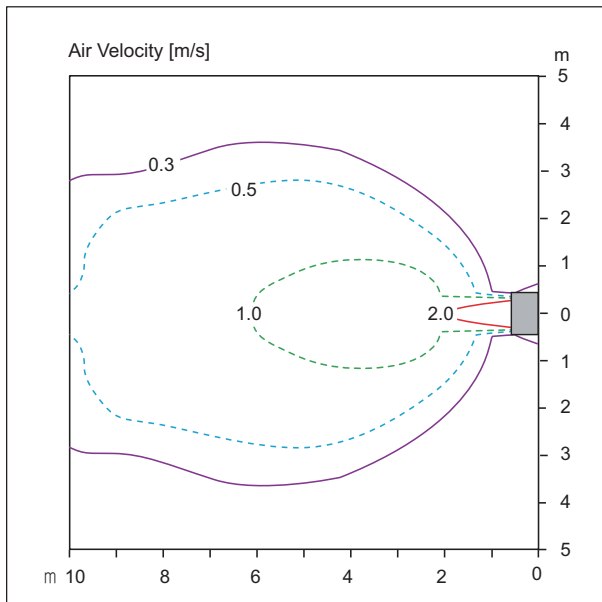
Discharge angle: 55°



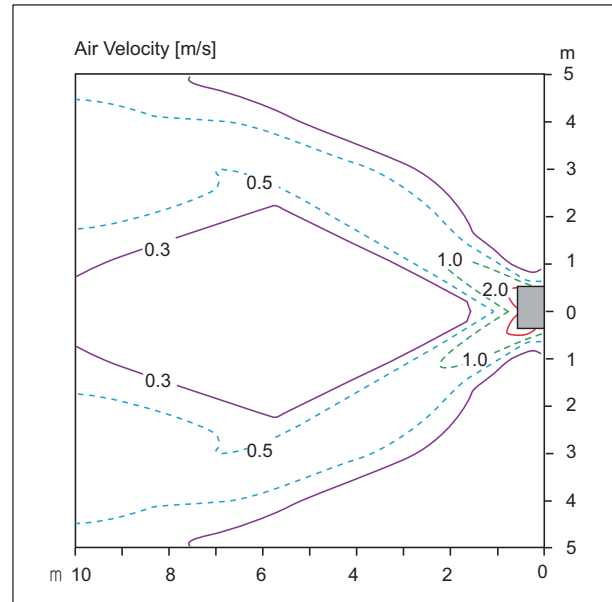
- Vertical Louver : Center
- Fan speed : Super High

#### Top View

Discharge angle: 55°



- Vertical Louver : Center
- Vertical Vane : 0°
- Fan speed : Super High
- Air speed 0.3m/s Range : 13.2m



- Vertical Louver : Left & Right
- Vertical Vane : 55°
- Fan speed : Super High

### Note

- These figures are accordance with normal certain condition and environment. (Airflow step is 'Super High', Air discharge angle is fixed as indicated angle.)
- Indoor airflow distribution under actual installation or operating conditions depends on ambient temperature, ceiling height, product installation direction / location, indoor / Heating load, and other obstacles, etc.

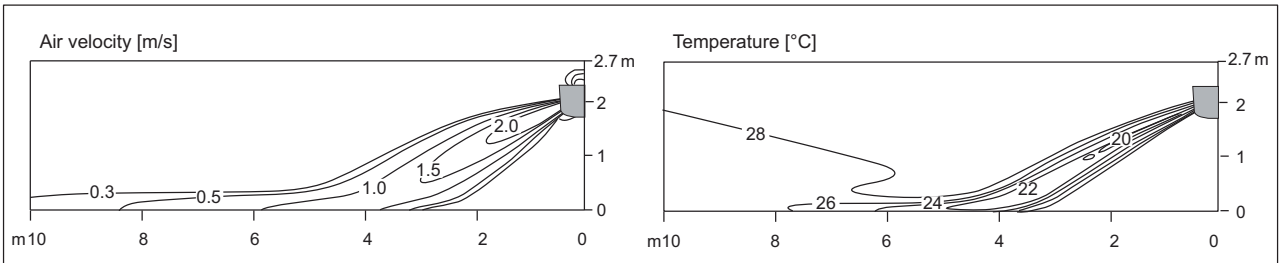
## 6. Air flow and temperature distributions (reference data)

- Models : S3NM09JL1ZA [DC09RQ NSJ], S3NM12JL1ZA [DC12RQ NSJ], S3NM09JL1MA [DC09RK NSJ], S3NM12JL1MA [DC12RK NSJ]

### ◆ Cooling

#### Side View

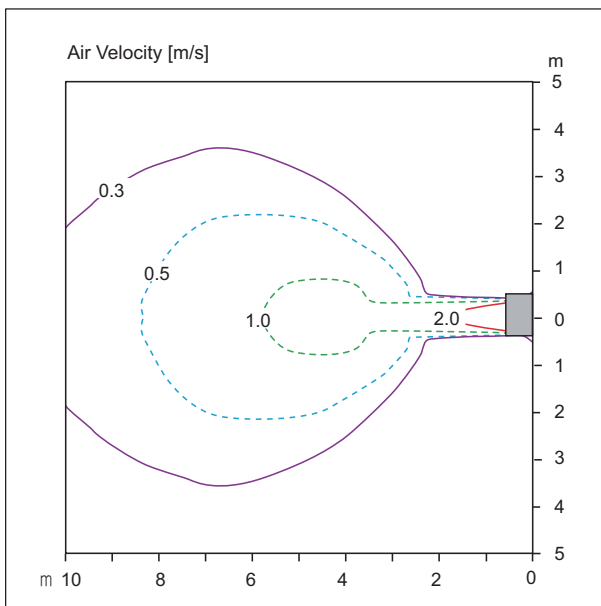
Discharge angle: 35°



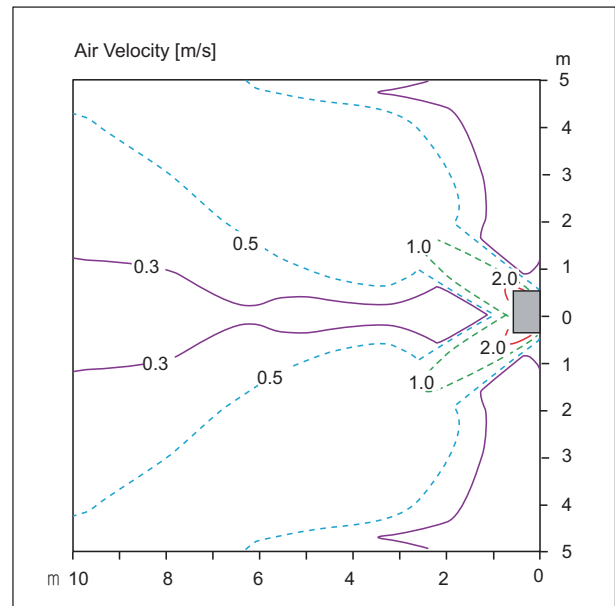
- Vertical Louver : Center
- Fan speed : Super High

#### Top View

Discharge angle: 35°



- Vertical Louver : Center
- Vertical Vane : 0°
- Fan speed : Super High
- Air speed 0.3m/s Range : 11.0m



- Vertical Louver : Left & Right
- Vertical Vane : 55°
- Fan speed : Super High

### Note

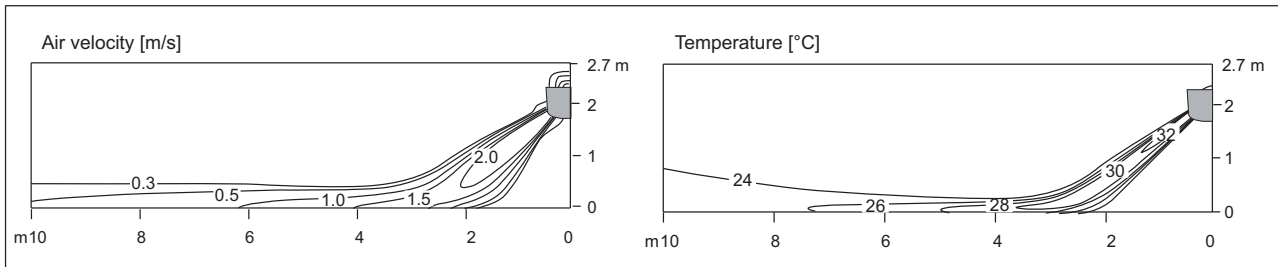
- These figures are accordance with normal certain condition and environment. (Airflow step is 'Super High', Air discharge angle is fixed as indicated angle.)
- Indoor airflow distribution under actual installation or operating conditions depends on ambient temperature, ceiling height, product installation direction / location, indoor / Heating load, and other obstacles, etc.

## 6. Air flow and temperature distributions (reference data)

### ◆ Heating

#### Side View

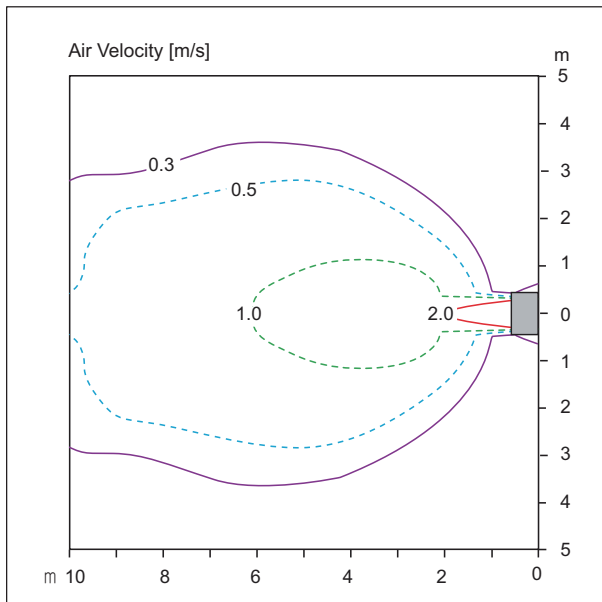
Discharge angle: 55°



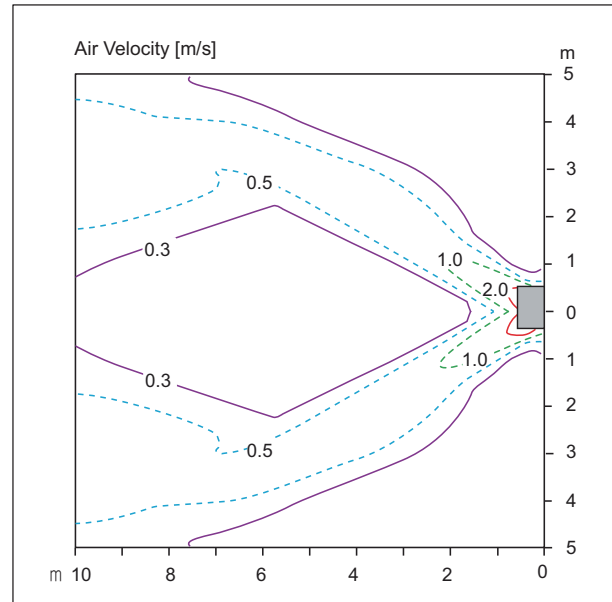
- Vertical Louver : Center
- Fan speed : Super High

#### Top View

Discharge angle: 55°



- Vertical Louver : Center
- Vertical Vane : 0°
- Fan speed : Super High
- Air speed 0.3m/s Range : 13.2m



- Vertical Louver : Left & Right
- Vertical Vane : 55°
- Fan speed : Super High

### Note

- These figures are accordance with normal certain condition and environment. (Airflow step is 'Super High', Air discharge angle is fixed as indicated angle.)
- Indoor airflow distribution under actual installation or operating conditions depends on ambient temperature, ceiling height, product installation direction / location, indoor / Heating load, and other obstacles, etc.

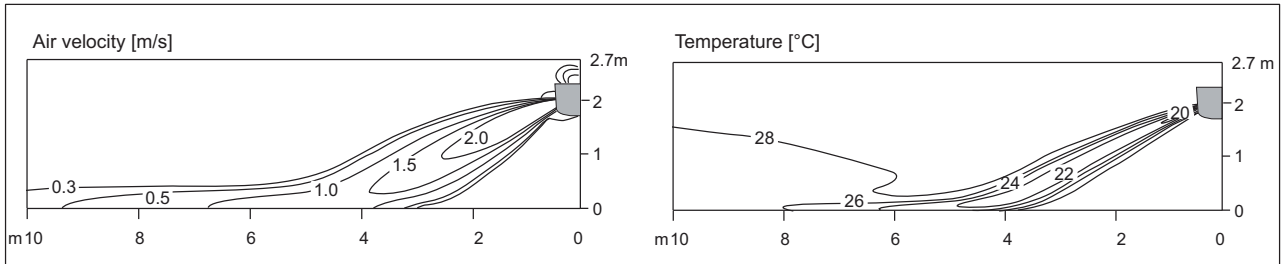
## 6. Air flow and temperature distributions (reference data)

- Models : S3NM09JA2DA [PC09SK NSJ], S3NM12JA2DA [PC12SK NSJ], ZMNW07GSJB1 [MS07ET NSJ], S3NM09JA3FA [S09ET NSJ], S3NM12JA3FA [S12ET NSJ], S3NM09JA10B [AP09RK NSJ], S3NM12JA10B [AP12RK NSJ]

### ◆ Cooling

#### Side View

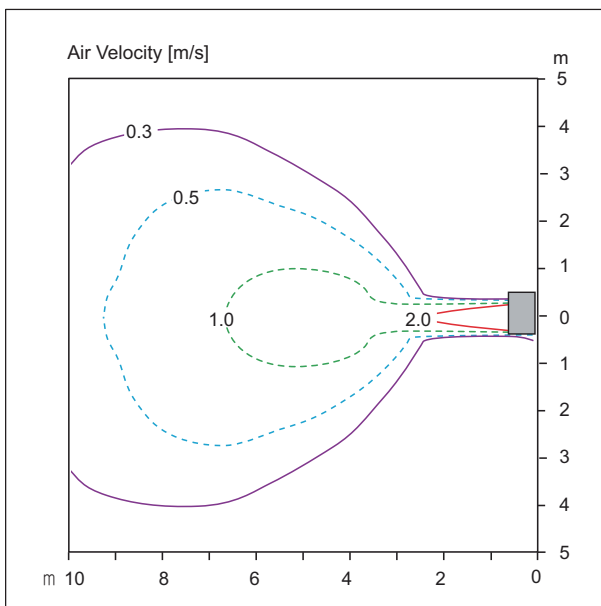
Discharge angle: 35°



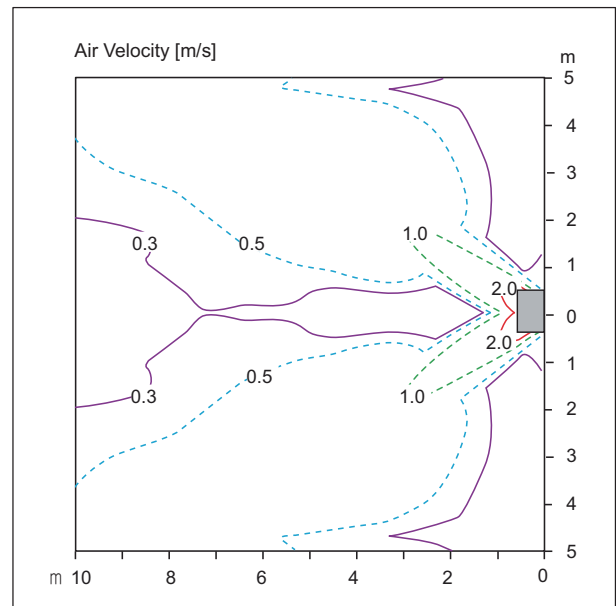
- Vertical Louver : Center
- Fan speed : Super High

#### Top View

Discharge angle: 35°



- Vertical Louver : Center
- Vertical Vane : 0°
- Fan speed : Super High
- Air speed 0.3m/s Range : 11.5m



- Vertical Louver : Left & Right
- Vertical Vane : 55°
- Fan speed : Super High

### Note

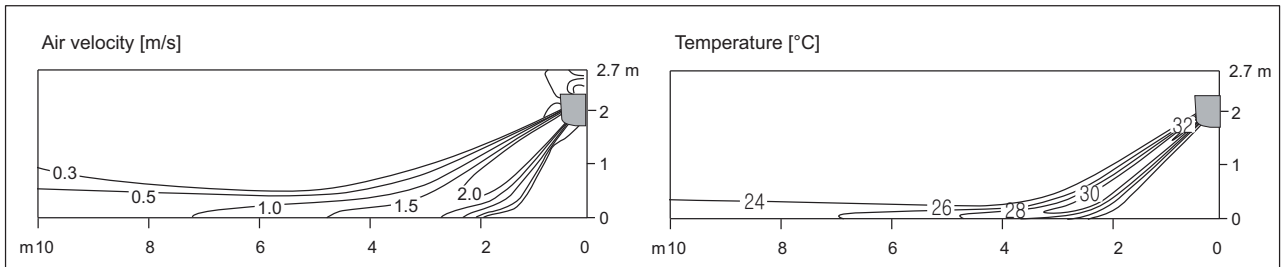
- These figures are accordance with normal certain condition and environment. (Airflow step is 'Super High', Air discharge angle is fixed as indicated angle.)
- Indoor airflow distribution under actual installation or operating conditions depends on ambient temperature, ceiling height, product installation direction / location, indoor / Heating load, and other obstacles, etc.

## 6. Air flow and temperature distributions (reference data)

### ◆ Heating

#### Side View

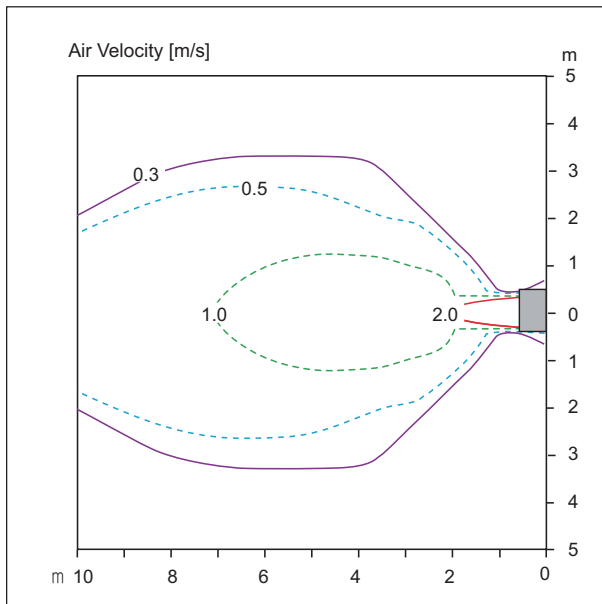
Discharge angle: 55°



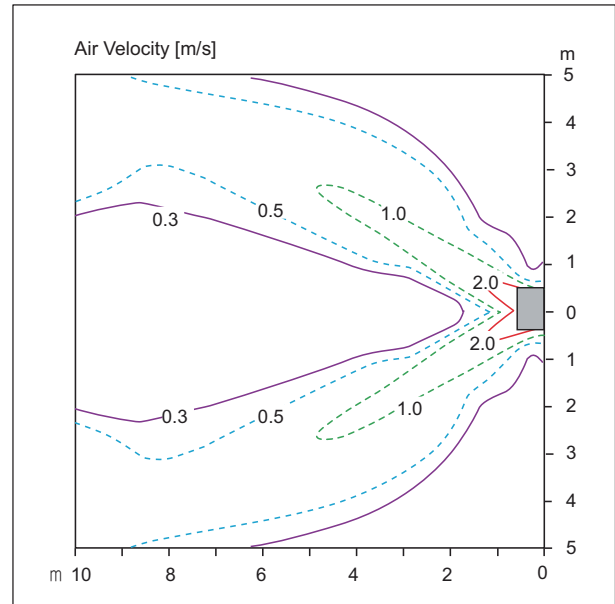
- Vertical Louver : Center
- Fan speed : Super High

#### Top View

Discharge angle: 55°



- Vertical Louver : Center
- Vertical Vane : 0°
- Fan speed : Super High
- Air speed 0.3m/s Range : 13.5m



- Vertical Louver : Left & Right
- Vertical Vane : 55°
- Fan speed : Super High

### Note

- These figures are accordance with normal certain condition and environment. (Airflow step is 'Super High', Air discharge angle is fixed as indicated angle.)
- Indoor airflow distribution under actual installation or operating conditions depends on ambient temperature, ceiling height, product installation direction / location, indoor / Heating load, and other obstacles, etc.

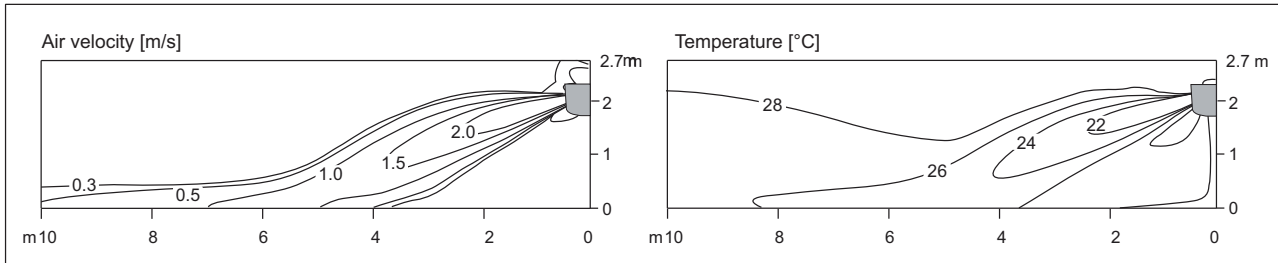
## 6. Air flow and temperature distributions (reference data)

- Models : S3NM18KL1ZA [DC18RQ NSK], S3NM18KL2DA [PC18SK NSK], S3NM18KL3FA [S18ET NSK], S3NM18KL1MA [DC18RK NSK]

### ◆ Cooling

#### Side View

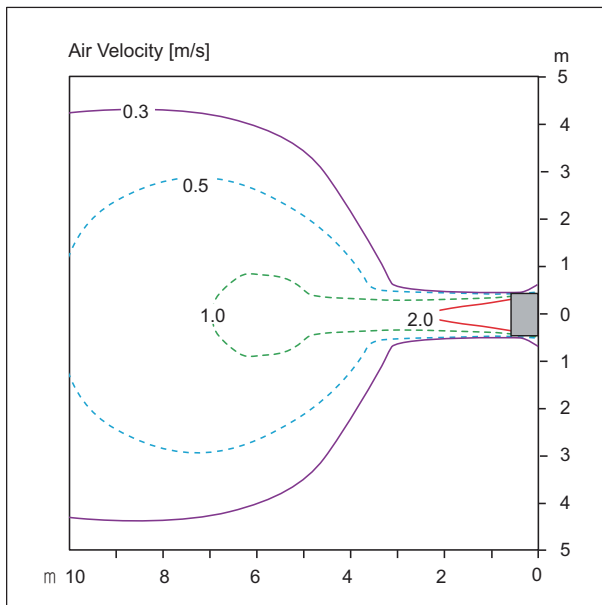
Discharge angle: 25°



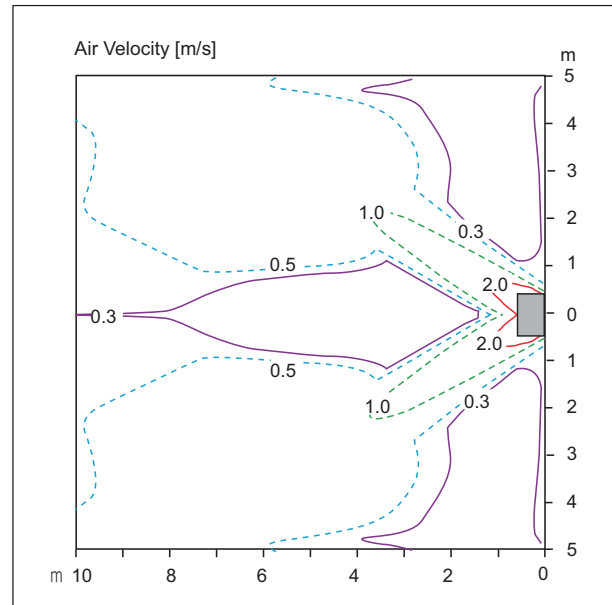
- Vertical Louver : Center
- Fan speed : Super High

#### Top View

Discharge angle: 25°



- Vertical Louver : Center
- Vertical Vane : 0°
- Fan speed : Super High
- Air speed 0.3m/s Range : 12.9m



- Vertical Louver : Left & Right
- Vertical Vane : 50°
- Fan speed : Super High

### Note

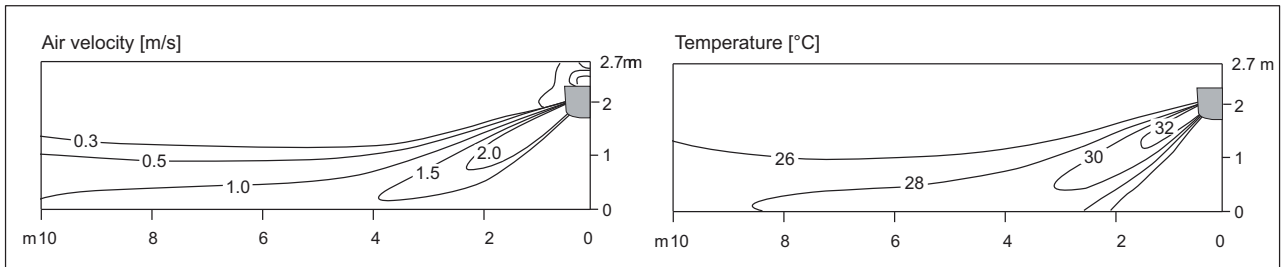
- These figures are accordance with normal certain condition and environment. (Airflow step is 'Super High', Air discharge angle is fixed as indicated angle.)
- Indoor airflow distribution under actual installation or operating conditions depends on ambient temperature, ceiling height, product installation direction / location, indoor / Heating load, and other obstacles, etc.

## 6. Air flow and temperature distributions (reference data)

### ◆ Heating

#### Side View

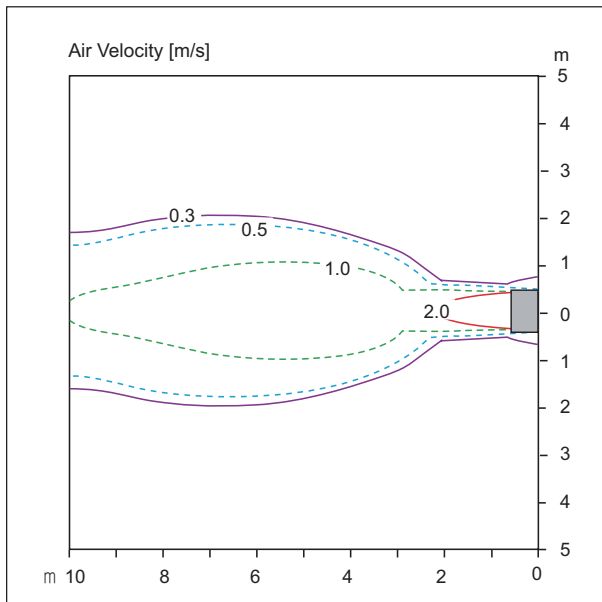
Discharge angle: 45°



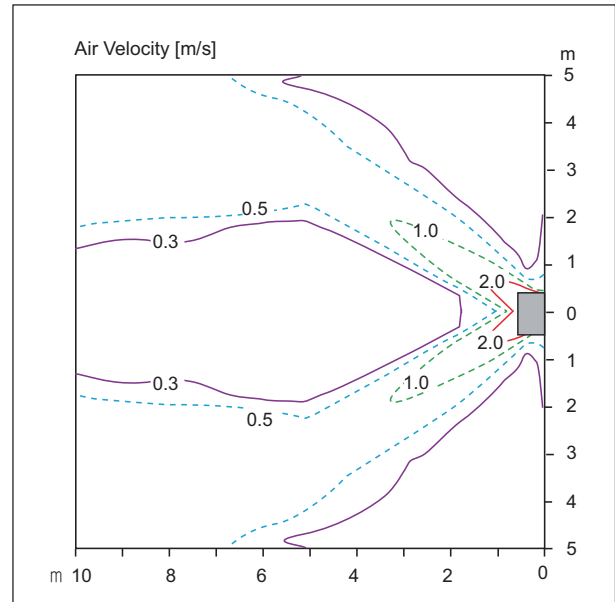
- Vertical Louver : Center
- Fan speed : Super High

#### Top View

Discharge angle: 45°



- Vertical Louver : Center
- Vertical Vane : 0°
- Fan speed : Super High
- Air speed 0.3m/s Range : 20.0m



- Vertical Louver : Left & Right
- Vertical Vane : 50°
- Fan speed : Super High

### Note

- These figures are accordance with normal certain condition and environment. (Airflow step is 'Super High', Air discharge angle is fixed as indicated angle.)
- Indoor airflow distribution under actual installation or operating conditions depends on ambient temperature, ceiling height, product installation direction / location, indoor / Heating load, and other obstacles, etc.

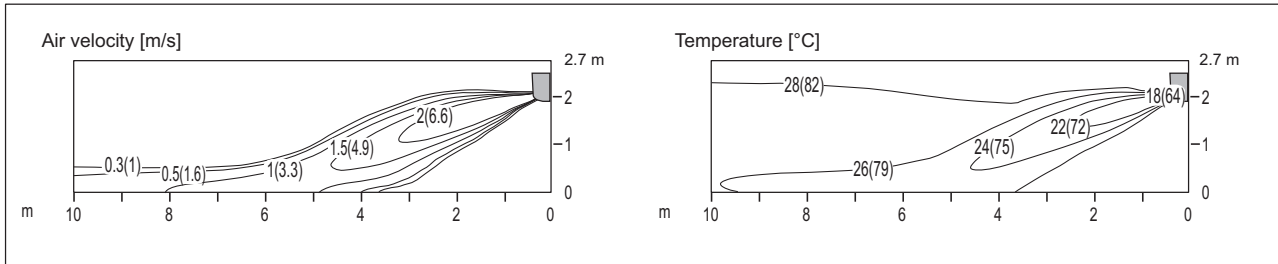
## 6. Air flow and temperature distributions (reference data)

- Models : S3NM24K21ZA [DC24RQ NSK], S3NM24K22DA [PC24SK NSK], S3NM24K23FA [S24ET NSK], S3NM24K21MA [DC24RK NSK]

### ◆ Cooling

Side View

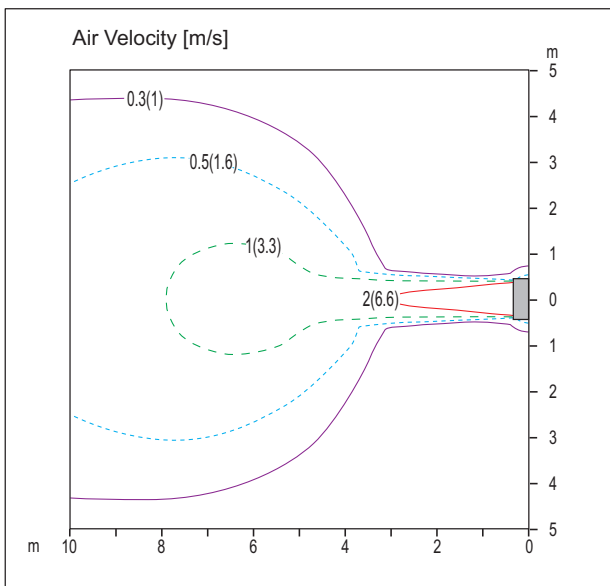
Discharge angle: 25°



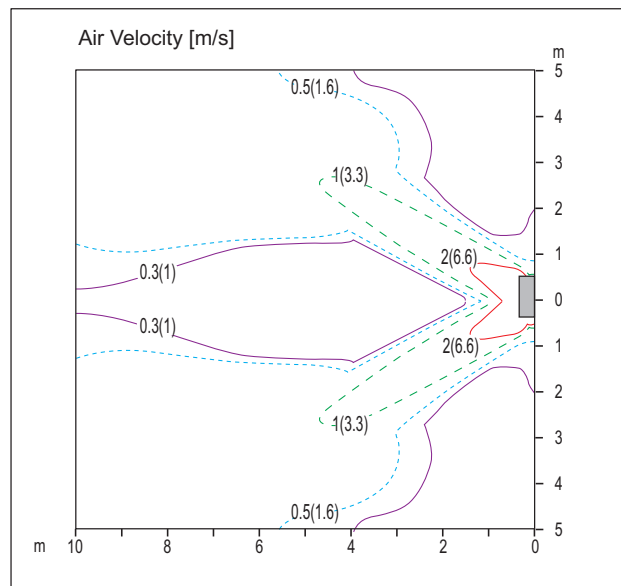
- Vertical Louver : Center
- Fan speed : Super High

Top View

Discharge angle: 25°



- Vertical Louver : Center
- Vertical Vane : 0°
- Fan speed : Super High
- Air speed 0.3m/s Range : 15.4m



- Vertical Louver : Left & Right
- Vertical Vane : 50°
- Fan speed : Super High

### Note

- These figures are accordance with normal certain condition and environment. (Airflow step is 'Super High', Air discharge angle is fixed as indicated angle.)
- Indoor airflow distribution under actual installation or operating conditions depends on ambient temperature, ceiling height, product installation direction / location, indoor / Heating load, and other obstacles, etc.

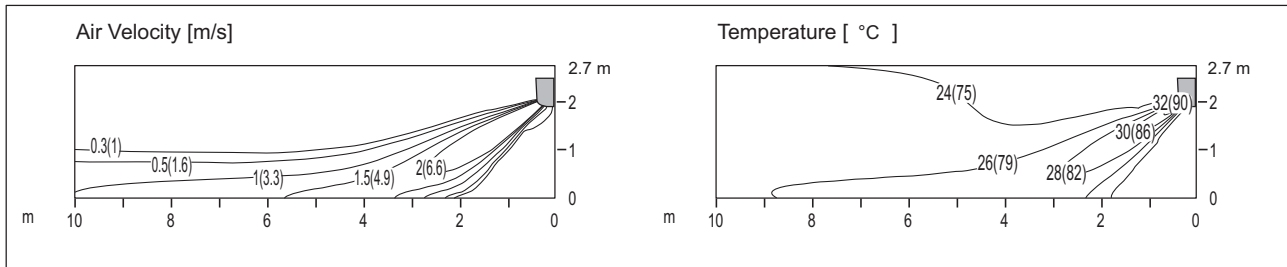


## 6. Air flow and temperature distributions (reference data)

### ◆ Heating

Side View

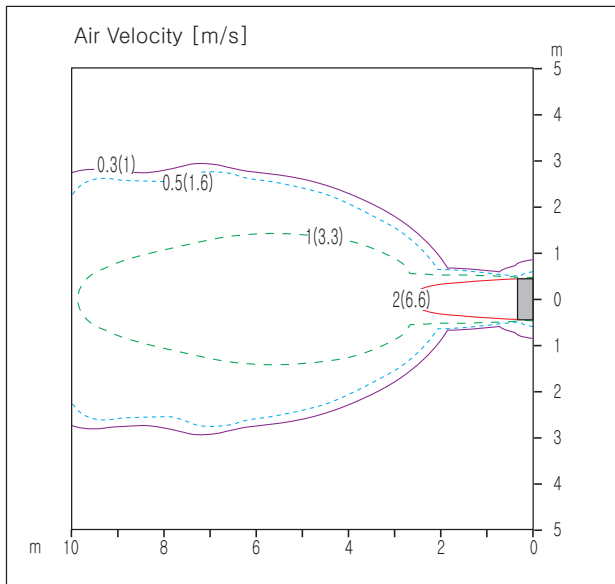
Discharge angle: 45°



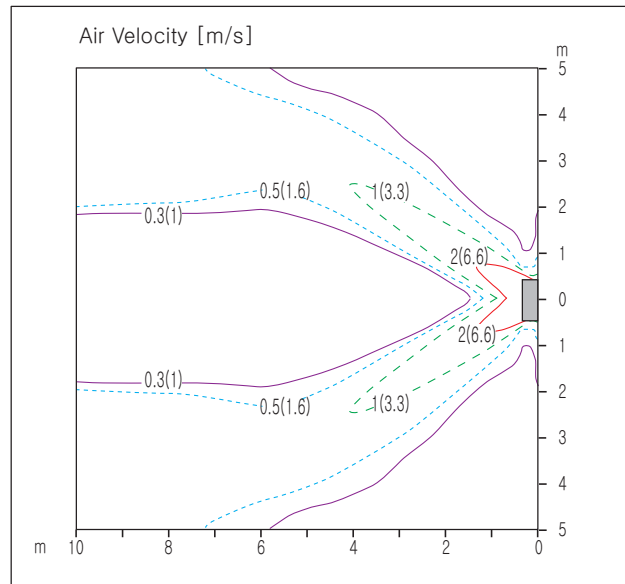
- Vertical Louver : Center
- Fan speed : Super High

### Top View

Discharge angle: 45°



- Vertical Louver : Center
- Vertical Vane : 0°
- Fan speed : Super High
- Air speed 0.3m/s Range : 19.5m



- Vertical Louver : Left & Right
- Vertical Vane : 50°
- Fan speed : Super High

### Note

- These figures are accordance with normal certain condition and environment. (Airflow step is 'Super High', Air discharge angle is fixed as indicated angle.)
- Indoor airflow distribution under actual installation or operating conditions depends on ambient temperature, ceiling height, product installation direction / location, indoor / Heating load, and other obstacles, etc.

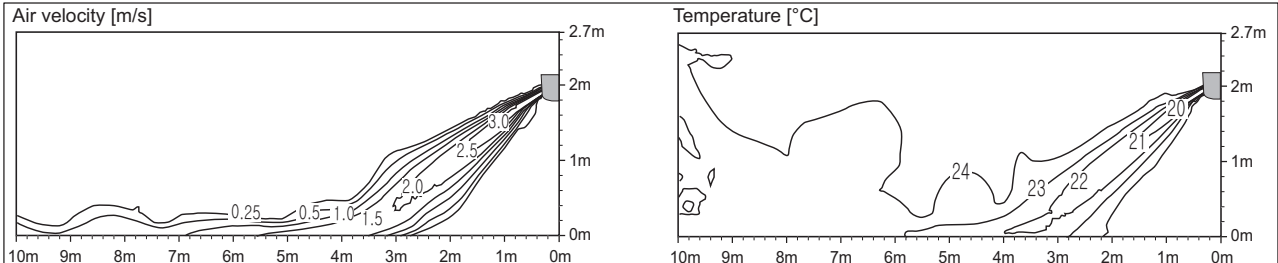
## 6. Air flow and temperature distributions (reference data)

### ■ Models : ZMNW07GSAB1 [MS07ET NSA]

#### ◆ Cooling

##### Side View

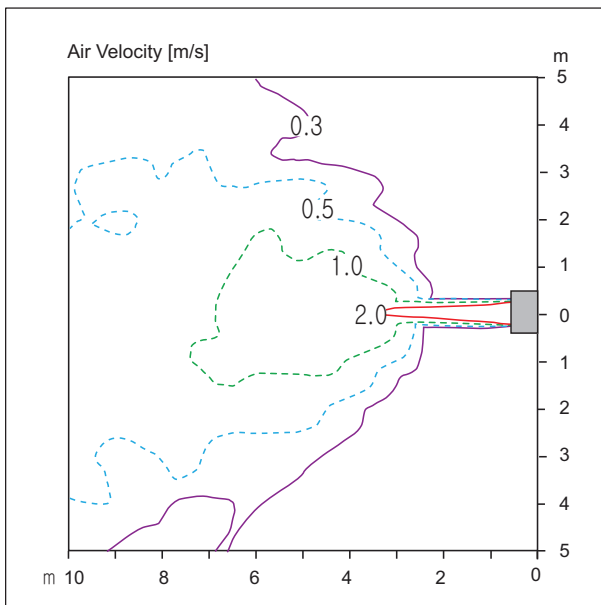
Discharge angle: 35°



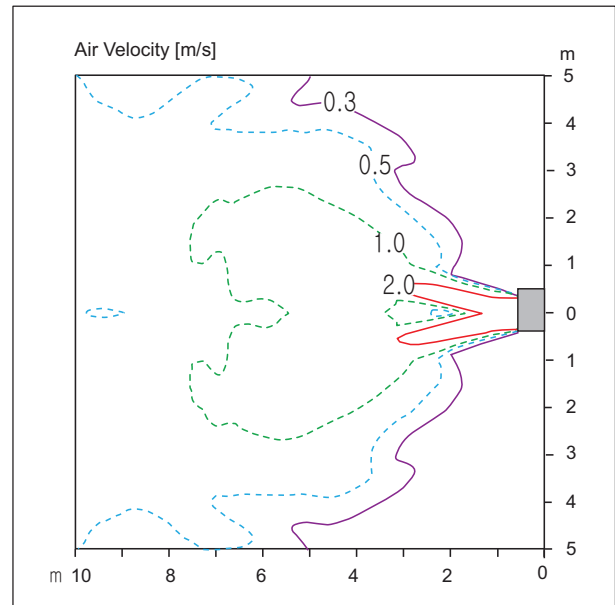
- Vertical Louver : Center
- Fan speed : Super High

##### Top View

Discharge angle: 35°



- Vertical Louver : Center
- Vertical Vane : 0°
- Fan speed : Super High
- Air speed 0.3m/s Range : 11.5m



- Vertical Louver : Left & Right
- Vertical Vane : 55°
- Fan speed : Super High

#### Note

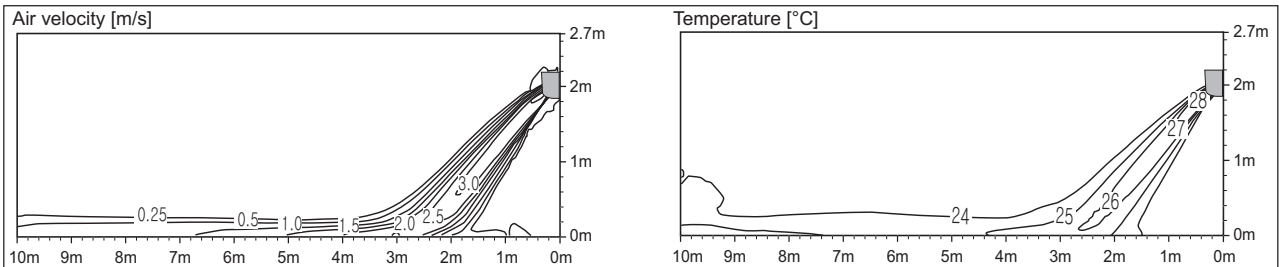
- These figures are accordance with normal certain condition and environment. (Airflow step is 'Super High', Air discharge angle is fixed as indicated angle.)
- Indoor airflow distribution under actual installation or operating conditions depends on ambient temperature, ceiling height, product installation direction / location, indoor / Heating load, and other obstacles, etc.

## 6. Air flow and temperature distributions (reference data)

### ◆ Heating

#### Side View

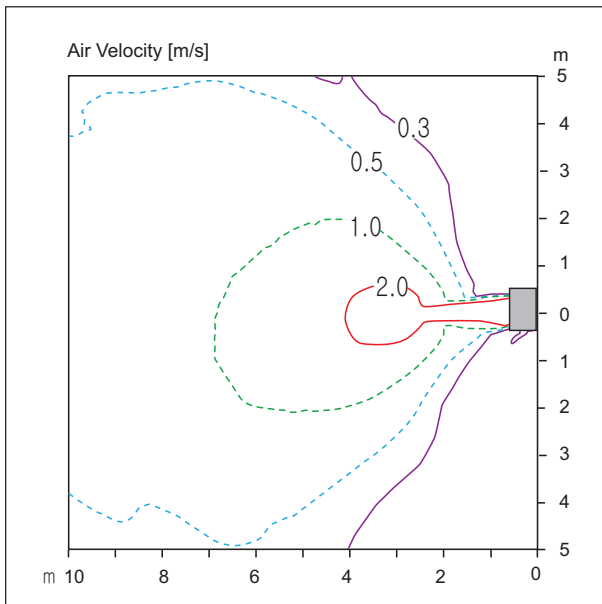
Discharge angle: 55°



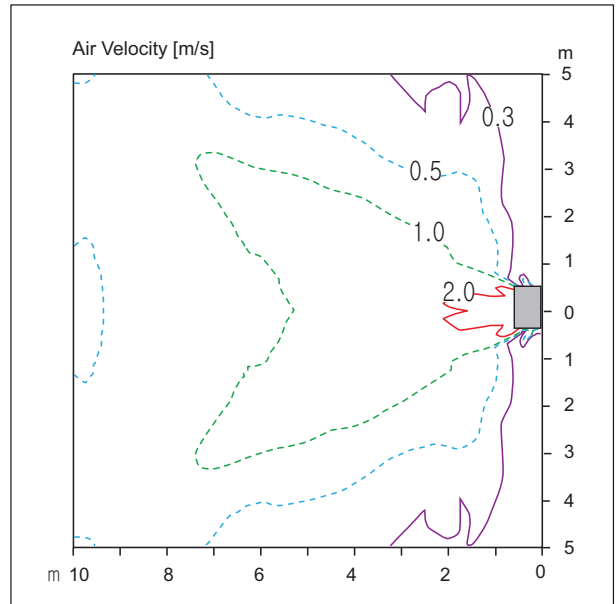
- Vertical Louver : Center
- Fan speed : Super High

#### Top View

Discharge angle: 55°



- Vertical Louver : Center
- Vertical Vane : 0°
- Fan speed : Super High
- Air speed 0.3m/s Range : 13.5m



- Vertical Louver : Left & Right
- Vertical Vane : 55°
- Fan speed : Super High

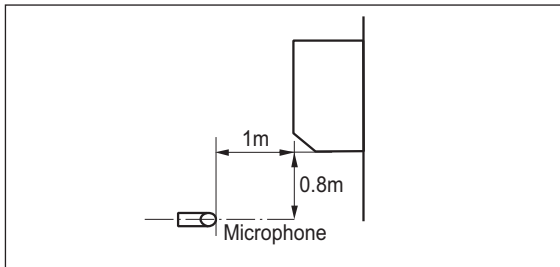
### Note

- These figures are accordance with normal certain condition and environment. (Airflow step is 'Super High', Air discharge angle is fixed as indicated angle.)
- Indoor airflow distribution under actual installation or operating conditions depends on ambient temperature, ceiling height, product installation direction / location, indoor / Heating load, and other obstacles, etc.

## 7. Sound levels

### 7.1 Sound pressure level

#### Overall



**Note**

1. Sound measured at some distance away from the center of the unit.
2. Data is valid at free field condition.
3. Reference acoustic pressure 0dB = 20μPa.
4. Data is valid at nominal operation condition.  
Refer to the Model Specifications for nominal conditions (Power source and Ambient temperature, etc)
5. Sound levels can be increased in accordance with installation and operating conditions. (Static pressure mode, used air guide, Room target temperature setting, etc)
6. Sound level will vary depending on a range of factors such as the construction (acoustic absorption coefficient) of particular room in which the equipment is installed.
7. Sound pressure level is measured on the rated condition in the anechoic rooms. (LG Internal Standard)  
Therefore, these values can be increased owing to ambient conditions during operation.

Model (Deluxe)	50Hz, 220-240V		
	Sound pressure Levels [dB(A)]		
	H	M	L
S3NM09JL1ZA [DC09RQ NSJ]	36	32	27
S3NM12JL1ZA [DC12RQ NSJ]	38	34	29
S3NM18KL1ZA [DC18RQ NSK]	47	42	34
S3NM24K21ZA [DC24RQ NSK]	47	42	34
ZMNW07GJLW1 [DM07RK NSJ]	36	31	27
S3NM09JL1MA [DC09RK NSJ]	36	32	27
S3NM12JL1MA [DC12RK NSJ]	38	34	29
S3NM18KL1MA [DC18RK NSK]	47	42	34
S3NM24K21MA [DC24RK NSK]	47	42	34

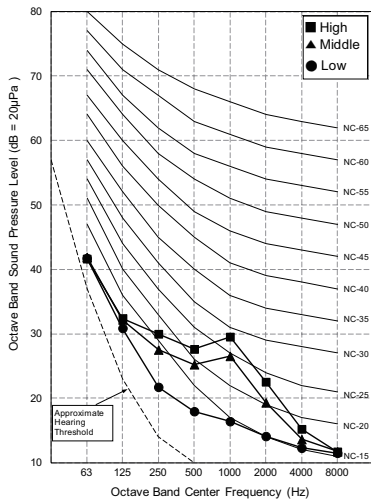
Model (Standard plus)	50Hz, 220-240V		
	Sound pressure Levels [dB(A)]		
	H	M	L
S3NM09JA2DA [PC09SK NSJ]	36	33	27
S3NM12JA2DA [PC12SK NSJ]	40	35	27
S3NM18KL2DA [PC18SK NSK]	44	38	35
S3NM24K22DA [PC24SK NSK]	47	42	34

Model (Standard 2)	50Hz, 220-240V		
	Sound pressure Levels [dB(A)]		
	H	M	L
ZMNW07GSJB1 [MS07ET NSJ]	35	32	27
S3NM09JA3FA [S09ET NSJ]	36	33	27
S3NM12JA3FA [S12ET NSJ]	40	35	27
S3NM18KL3FA [S18ET NSK]	44	38	35
S3NM24K23FA [S24ET NSK]	47	42	34
ZMNW07GSAB1 [MS07ET NSA]	37	32	27

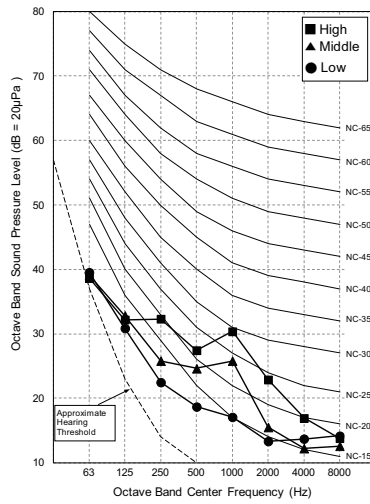
Model (Air Purification)	50Hz, 220-240V		
	Sound pressure Levels [dB(A)]		
	H	M	L
S3NM09JA10B [AP09RK NSJ]	41	35	27
S3NM12JA10B [AP12RK NSJ]	41	35	27

# 7. Sound levels

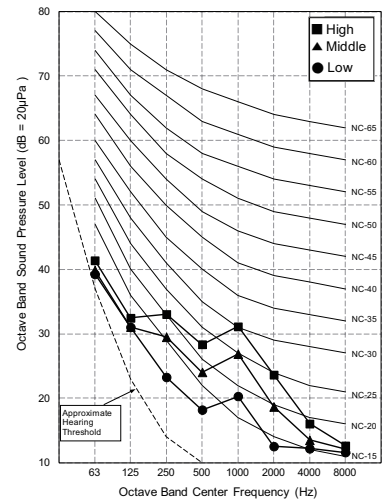
ZMNV07GSJB1 [MS07ET NSJ]



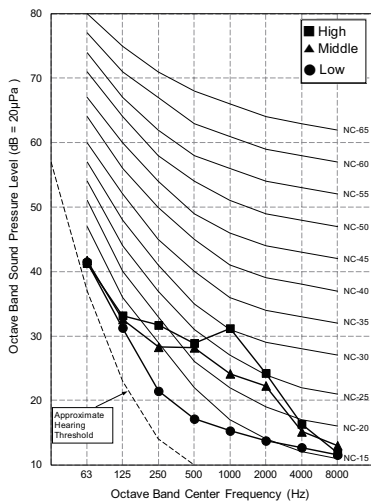
ZMNV07GJLW1 [DM07RK NSJ]



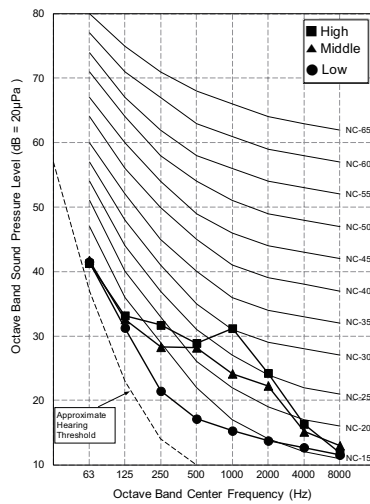
S3NM09JL1ZA [DC09RQ NSJ]  
S3NM09JL1MA [DC09RK NSJ]



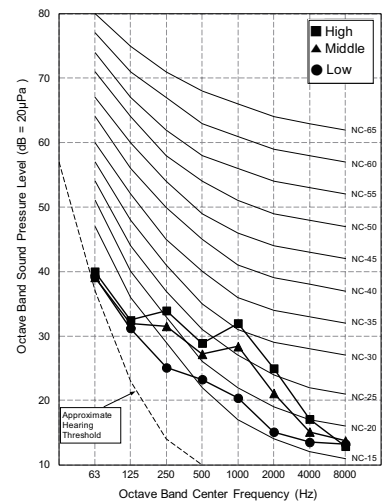
S3NM09JA2DA [PC09SK NSJ]  
S3NM09JA3FA [S09ET NSJ]



S3NM09JA10B [AP09RK NSJ]

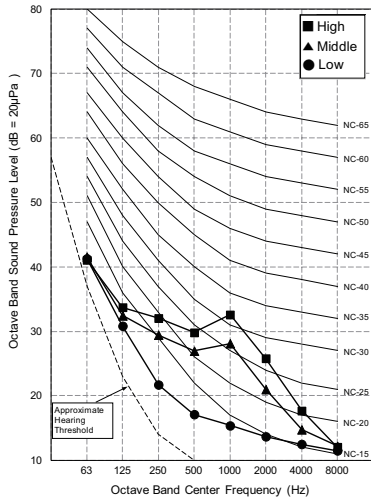


S3NM12JL1ZA [DC12RQ NSJ]  
S3NM12JL1MA [DC12RK NSJ]

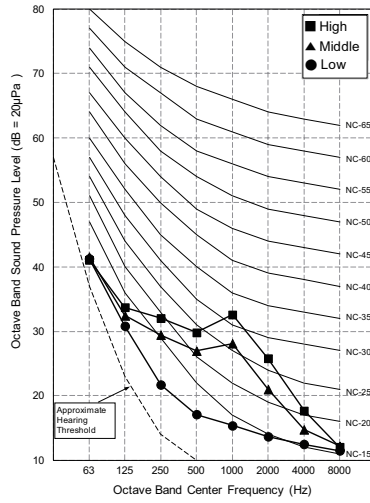


# 7. Sound levels

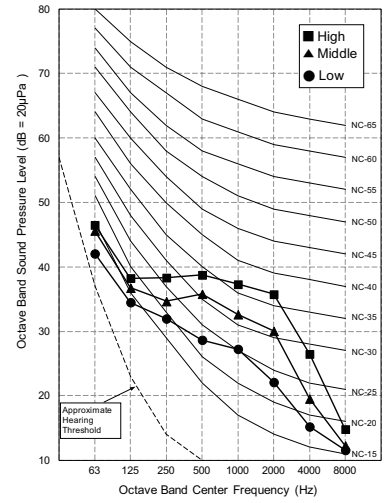
**S3NM12JA2DA [PC12SK NSJ]  
S3NM12JA3FA [S12ET NSJ]**



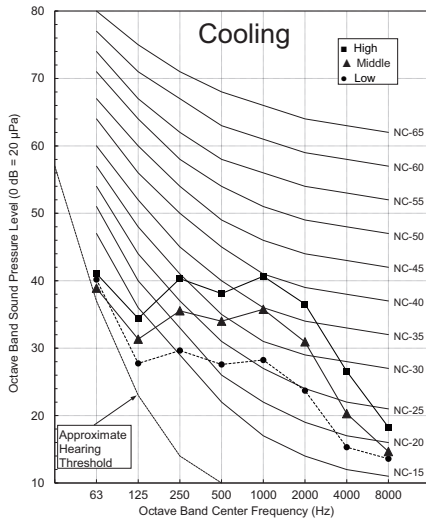
**S3NM12JA10B [AP12RK NSJ]**



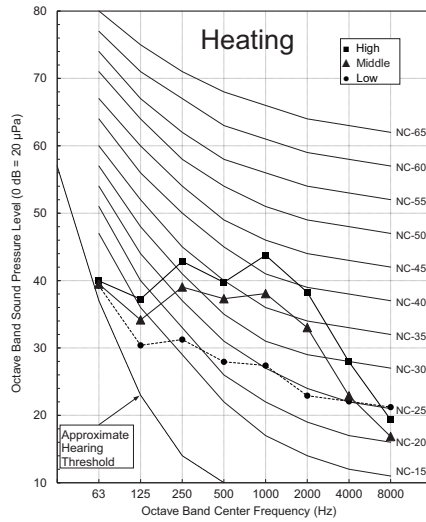
**S3NM18KL1ZA [DC18RQ NSK]  
S3NM18KL2DA [PC18SK NSK]  
S3NM18KL3FA [S18ET NSK]  
S3NM18KL1MA [DC18RK NSK]**



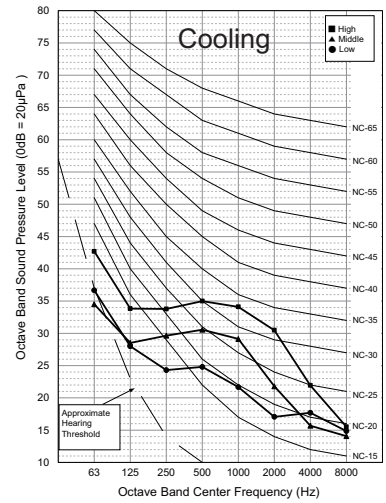
**S3NM24K21ZA [DC24RQ NSK]  
S3NM24K22DA [PC24SK NSK]  
S3NM24K23FA [S24ET NSK]  
S3NM24K21MA [DC24RK NSK]**



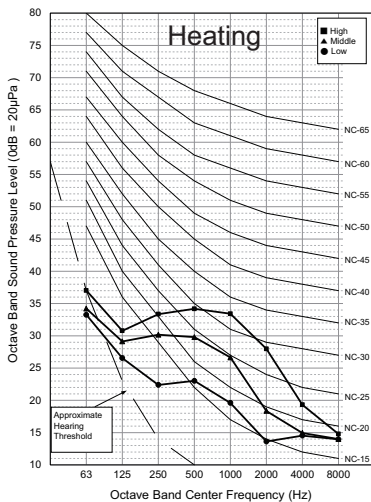
**S3NM24K21ZA [DC24RQ NSK]  
S3NM24K22DA [PC24SK NSK]  
S3NM24K23FA [S24ET NSK]  
S3NM24K21MA [DC24RK NSK]**



**ZMNW07GSAB1 [MS07ET NSA]**



**ZMNW07GSAB1 [MS07ET NSA]**



## 7. Sound levels

### 7.2 Sound power level

#### Note

1. Data is valid at diffuse field condition.
2. Data is valid at nominal operation condition.  
Refer to the Model Specifications for nominal conditions(Power source and Ambient temperature, etc)
3. Sound level can be increased in static pressure mode or used air guide.
4. Sound level will vary depending on a range of factors such as the construction (acoustic absorption coefficient).
5. Reference acoustic intensity 0dB =  $10E-6\mu W/m^2$
6. Sound power level is measured on the rated condition in the reverberation rooms by ISO 3741 standard.  
Therefore, these values can be increased owing to ambient conditions during operation.

Model (Deluxe)	Sound power Levels [dB(A)]
	H
S3NM09JL1ZA [DC09RQ NSJ]	56
S3NM12JL1ZA [DC12RQ NSJ]	56
S3NM18KL1ZA [DC18RQ NSK]	60
S3NM24K21ZA [DC24RQ NSK]	64
ZMNW07GJLW1 [DM07RK NSJ]	56
S3NM09JL1MA [DC09RK NSJ]	56
S3NM12JL1MA [DC12RK NSJ]	56
S3NM18KL1MA [DC18RK NSK]	60
S3NM24K21MA [DC24RK NSK]	64

Model (Standard plus)	Sound power Levels [dB(A)]
	H
S3NM09JA2DA [PC09SK NSJ]	57
S3NM12JA2DA [PC12SK NSJ]	57
S3NM18KL2DA [PC18SK NSK]	60
S3NM24K22DA [PC24SK NSK]	65

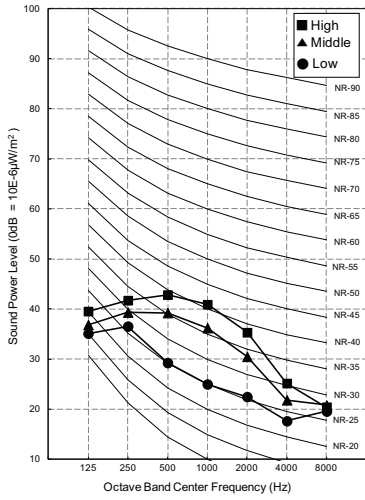
Model (Standard 2)	Sound power Levels [dB(A)]
	H
ZMNW07GSJB1 [MS07ET NSJ]	57
S3NM09JA3FA [S09ET NSJ]	57
S3NM12JA3FA [S12ET NSJ]	57
S3NM18KL3FA [S18ET NSK]	60
S3NM24K23FA [S24ET NSK]	65
ZMNW07GSAB1 [MS07ET NSA]	57

Model (Air Purification)	Sound power Levels [dB(A)]
	H
S3NM09JA10B [AP09RK NSJ]	59
S3NM12JA10B [AP12RK NSJ]	59

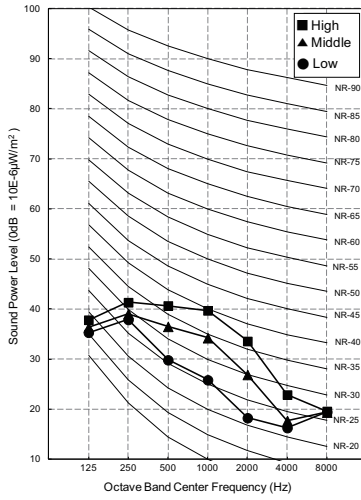


# 7. Sound levels

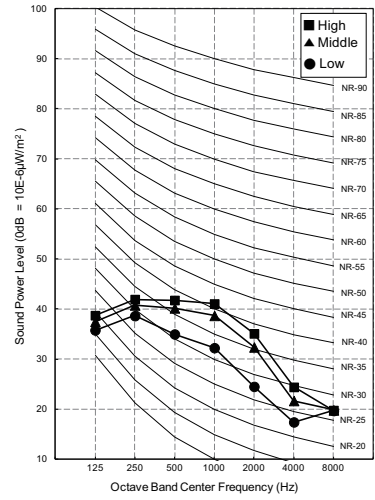
ZMNW07GSJB1 [MS07ET NSJ]



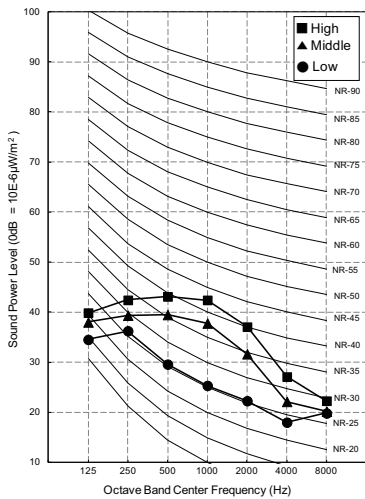
ZMNW07GJLW1 [DM07RK NSJ]



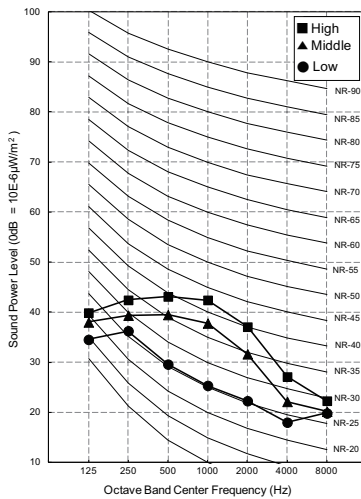
S3NM09JL1ZA [DC09RQ NSJ]  
S3NM09JL1MA [DC09RK NSJ]



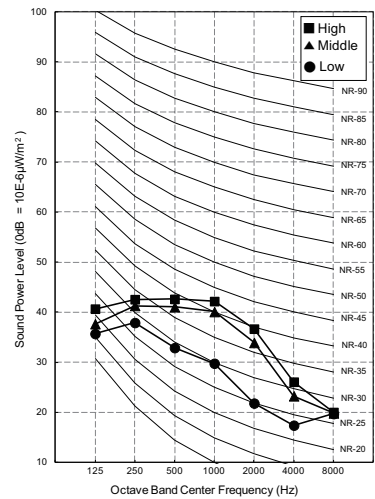
S3NM09JA2DA [PC09SK NSJ]  
S3NM09JA3FA [S09ET NSJ]



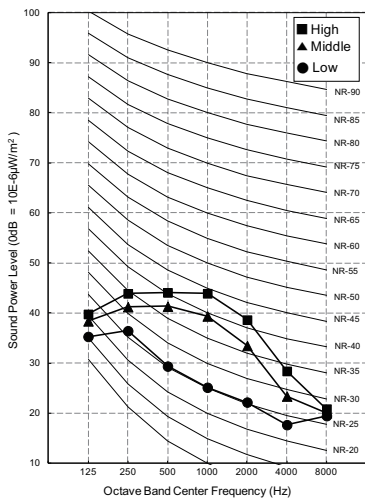
S3NM09JA10B [AP09RK NSJ]



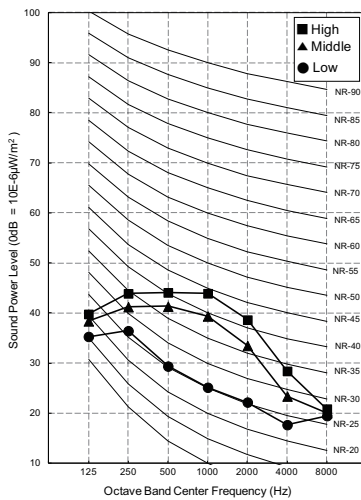
S3NM12JL1ZA [DC12RQ NSJ]  
S3NM12JL1MA [DC12RK NSJ]



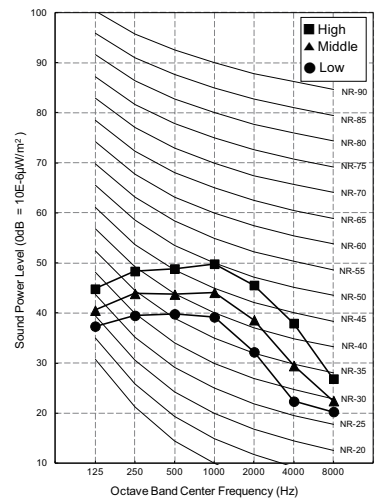
S3NM12JA2DA [PC12SK NSJ]  
S3NM12JA3FA [S12ET NSJ]



S3NM12JA10B [AP12RK NSJ]



S3NM18KL1ZA [DC18RQ NSK]  
S3NM18KL2DA [PC18SK NSK]  
S3NM18KL3FA [S18ET NSK]  
S3NM18KL1MA [DC18RK NSK]



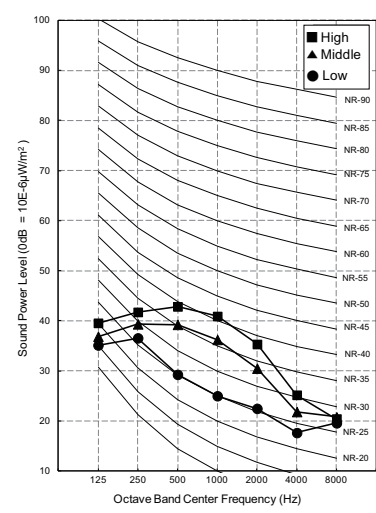
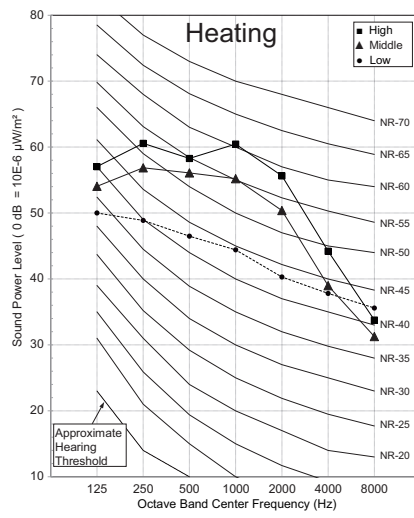
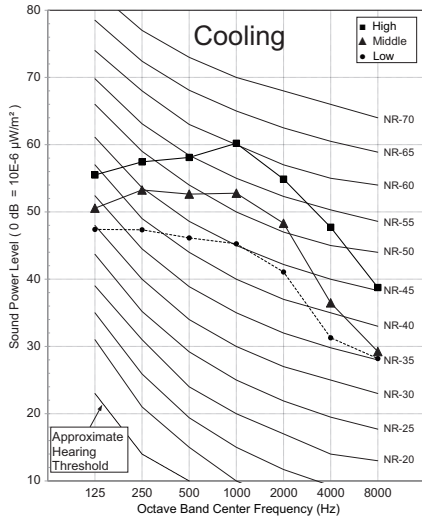


# 7. Sound levels

S3NM24K21ZA [DC24RQ NSK]  
 S3NM24K22DA [PC24SK NSK]  
 S3NM24K23FA [S24ET NSK]  
 S3NM24K21MA [DC24RK NSK]

S3NM24K21ZA [DC24RQ NSK]  
 S3NM24K22DA [PC24SK NSK]  
 S3NM24K23FA [S24ET NSK]  
 S3NM24K21MA [DC24RK NSK]

ZMNW07GSAB1 [MS07ET NSA]

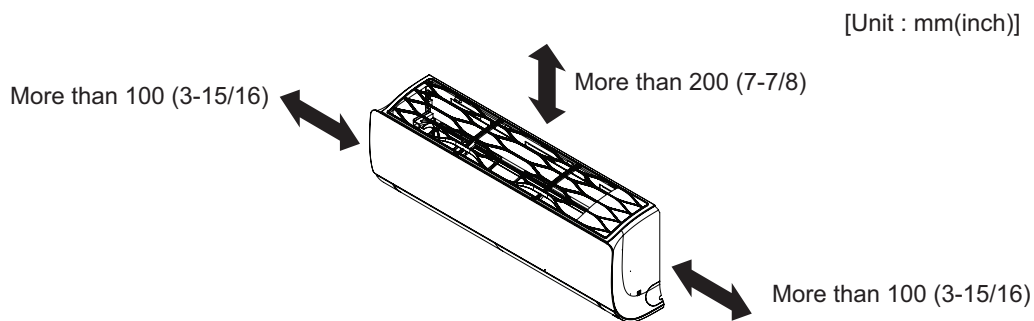


## 8. Installation

- Please read the instruction sheets completely before installing the product.
- When the power cord is damaged, replacement work shall be performed by authorized personnel only.
- Installation work must be performed in accordance with the national wiring standards.
- Teach the customer the operation and maintenance procedures, using the operation manual. (air filter cleaning, temperature control, etc.)

### 8.1 Selection of the best location

- The unit must be installed indoor area.
- Do not install the unit near the door.
- There should not be any obstacles to the air circulation or installation. Ensure the spaces from the wall, ceiling, or other obstacles.
- The place where the indoor unit can be connected with outdoor unit easily.
- The place where the unit is leveled.
- The place shall allow easy water drainage.
- The place where bear a load exceeding four times of the indoor unit weight.
- The mounting ceiling or wall should be solid enough to protect it from the vibration.
- The place where the unit is not affected by an electrical noise.
- The place where noise prevention is taken into consideration.
- The place where the maintenance space for product is sufficient.
- There should not be any heat source or steam near the unit.

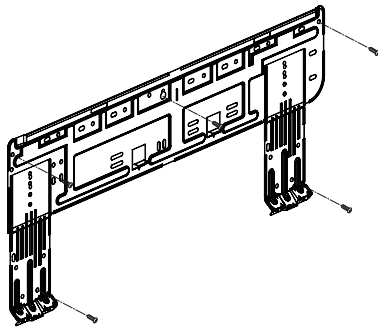


## 8. Installation

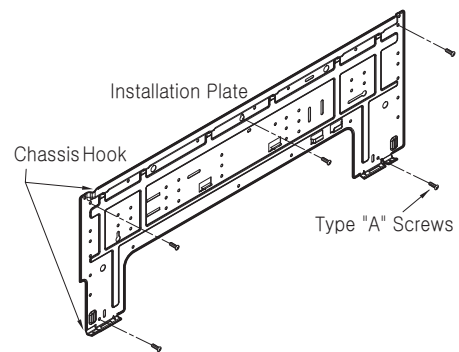
### ■ Fixing Installation Plate

- The wall you select should be strong and solid enough to prevent vibration.
  1. Mount the installation plate on the wall with type "A" screws which are provided with product. (Refer to the Installation manual.) If mounting the unit on a concrete wall, use anchor bolts.
    - Mount the installation plate horizontally by aligning the centerline using Horizontal meter.
  2. Measure the wall and mark the centerline. It is also important to use caution concerning the location of the installation plate. Routing of the wiring to power outlets is through the walls typically. Drilling the hole through the wall for piping connections must be done safely.

**SJ Chassis**

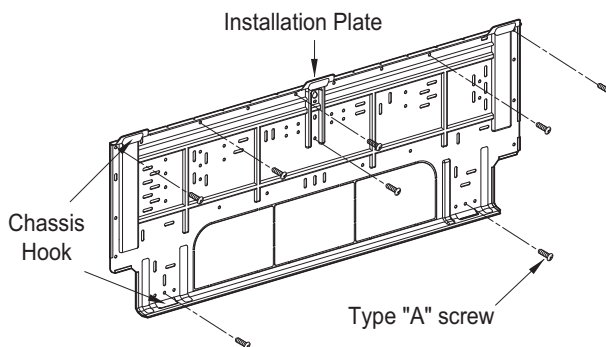


**SK Chassis**



\* According to product type, model line up, sales region..etc, applicability of each chassis could be different.

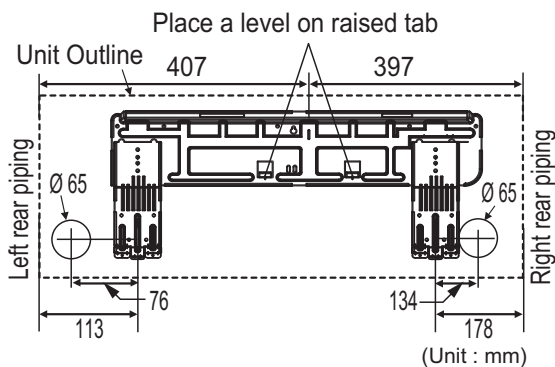
**SV Chassis**



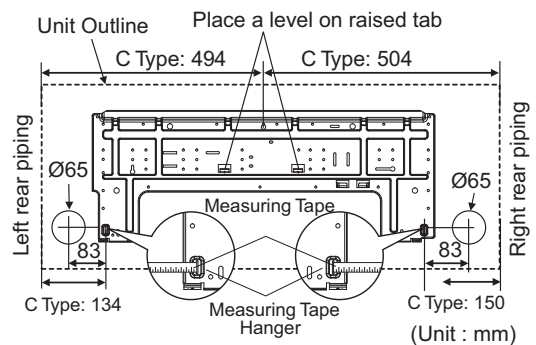
\* According to product type, model line up, sales region..etc, applicability of each chassis could be different.

### ■ The lower left and the right side piping of Installation Plate

**SJ chassis**



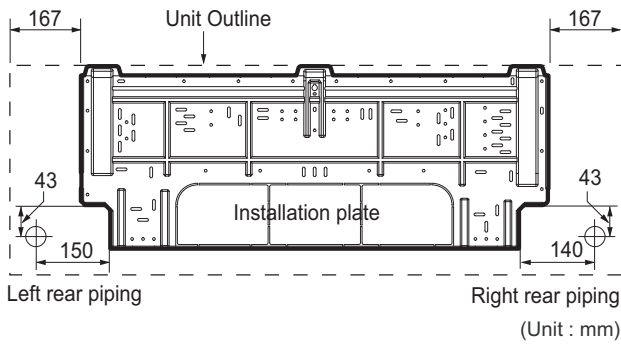
**SK chassis**



\* According to product type, model line up, sales region..etc, applicability of each chassis could be different.

## 8. Installation

### SV chassis



\* According to product type, model line up, sales region..etc, applicability of each chassis could be different.

### **!** CAUTION

In case that the unit is installed near the sea, the installation parts may be corroded by salt. The installation parts (and the unit) should be taken appropriate anti-corrosion measures.

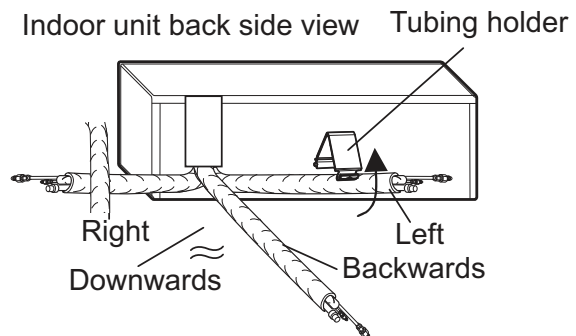
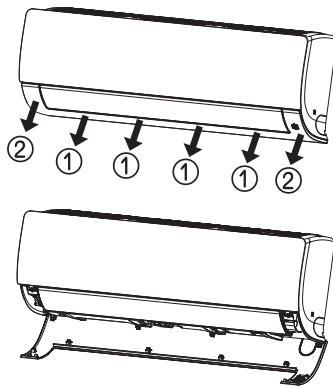
## 8. Installation

### 8.2 Connection of pipes and cables

#### 8.2.1 Preparing work for installation

##### ■ SJ/SK chassis

1. Pull the cover at the bottom of the indoor unit. Pull the cover ①→②.
2. Remove the chassis cover from the unit.
3. Pull back the tubing holder.
4. Remove pipe port cover and positioning the tubing.



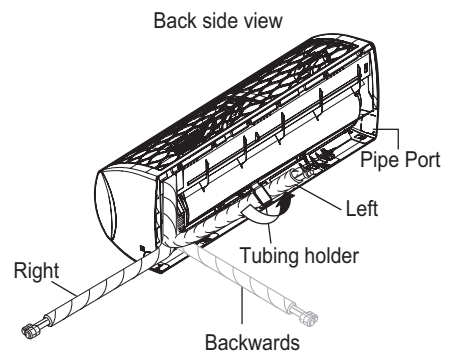
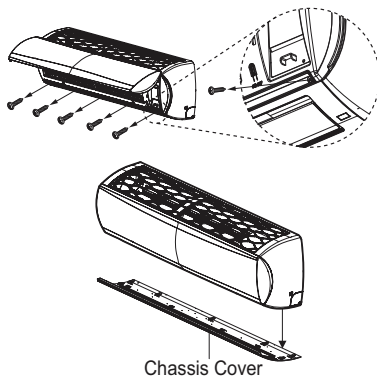
※ The feature can be changed according to type of model.

\* The feature can be changed according to type of model.

\* According to product type, model line up, sales region..etc, applicability of each chassis could be different.

##### ■ SV chassis

1. Open the panel of the indoor unit.
2. Remove the chassis cover from the unit by loosening 5 screws.
3. Pull back the tubing holder.
4. Remove pipe port cover and position the piping.

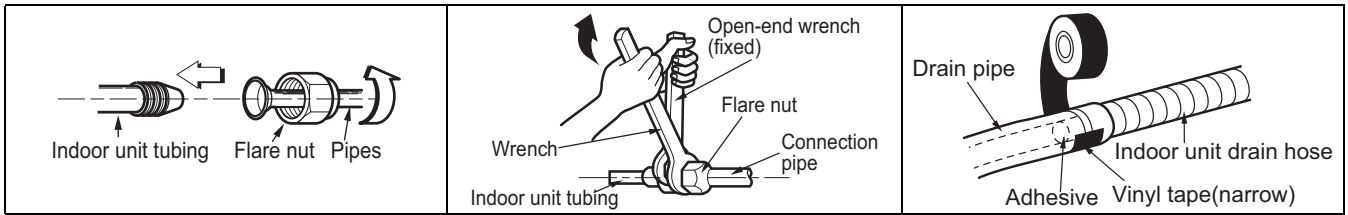


\* The feature can be changed according to type of model.

\* According to product type, model line up, sales region..etc, applicability of each chassis could be different.

## 8. Installation

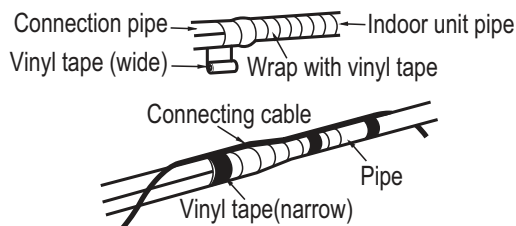
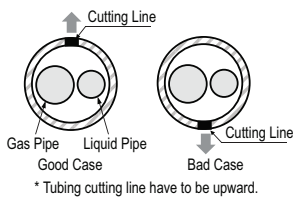
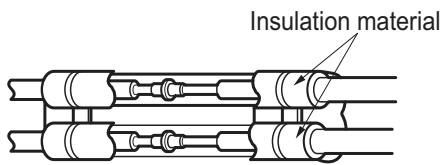
### ■ Connecting the installation pipe and drain hose



1. Align the center of the pipes and sufficiently tighten the flare nut by hand.
2. Tighten the flare nut with a wrench.
3. When needed to extend the drain hose of indoor unit, assembly the drain pipe as shown on the drawing.

### ■ Wrap the insulation material around the connecting portion.

1. Overlap the connection pipe insulation material and the indoor unit pipe insulation material. Bind them together with vinyl tape so that there may be no gap.
2. Set the tubing cutting line upward. Wrap the area which accommodates the rear piping housing section with vinyl tape.
3. Bundle the piping and drain hose together by wrapping them with vinyl tape sufficient enough to cover where they fit into the rear piping housing section. Be sure that the drain hose is located at the lowest side of the bundle. Locating at the upper side can cause overflow from the drain pan through the inside of the unit.



### ⚠ CAUTION

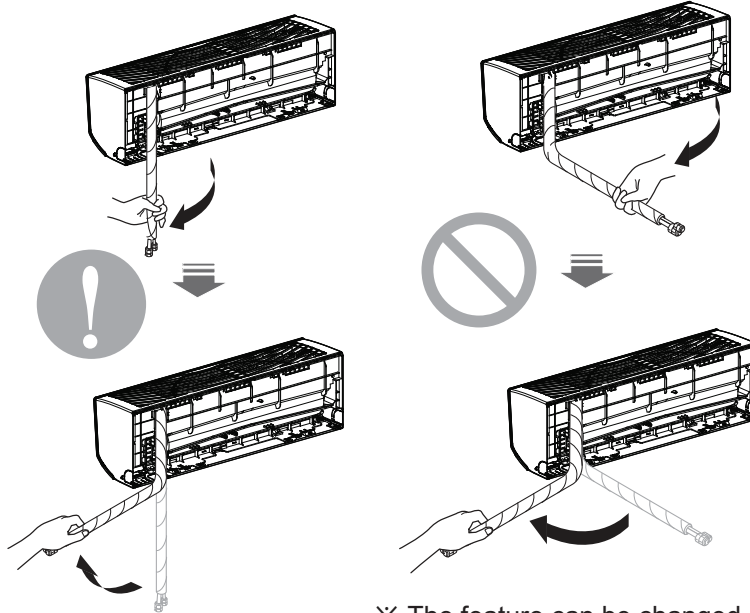
If the drain hose is routed inside the room insulate the hose with an insulation material\* so that dripping from sweating condensation) will not damage furniture or floors.

\* Foamed polyethylene or equivalent is recommended.

## 8. Installation

### ⚠ CAUTION

- Press on the tubing cover and unfold the tubing to downward slowly. And then bend to the left side slowly.
- Following bending case from right to left directly may cause damage to the tubing.



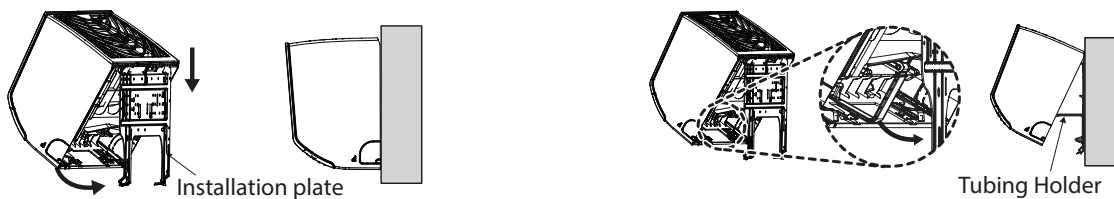
※ The feature can be changed according to type

- Installation Information. For right piping. Follow the instruction above.

### 8.2.2 Installation of Indoor Unit

#### ■ Seat the indoor unit on the installation plate

1. Hook the indoor unit onto the upper portion of the installation plate. (engage the three hooks at the top of the indoor unit with the upper edge of the installation plate) Ensure that the hooks are properly seated on the installation plate by moving it left and right
2. Unlock the tubing holder from the chassis and mount between the chassis and installation plate in order to separate the bottom side of the indoor unit from the wall.

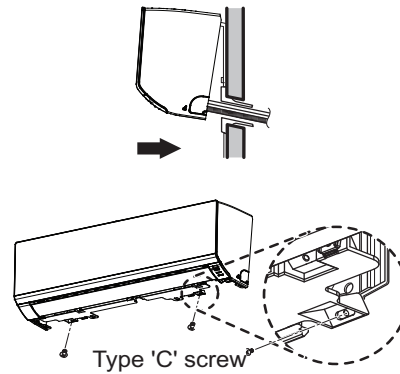


\* The feature can be changed according to type of model.

## 8. Installation

### 8.2.3 Finishing the indoor unit installation

1. Mount the tubing holder in the original position.
2. Ensure that the hooks are properly seated on the installation plate by moving it left and right.
3. Press the lower left and right sides of the unit against the installation plate until the hooks engage into their slots (clicking sound).
4. Finish the assembly by screwing the unit to the installation plate by using two pieces of type "C" screws. And assemble a chassis cover. (SJ/SK chassis) Recover the chassis cover in Original place. (SV chassis)



\* The feature can be changed according to type of model.

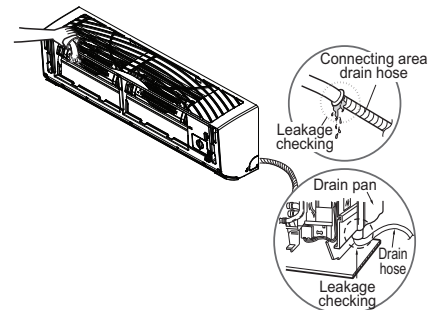
#### **CAUTION**

- The indoor unit can be dropped from the wall, the indoor unit is not screwed correct position on the install plate.
- To avoid the gap between the indoor unit and wall , screw the indoor unit to the install plate correctly.

### 8.2.4 Checking the Drainage

#### ◆ To check the drainage.

1. Pour a glass of water on the evaporator.
2. Ensure the water flows through the drain hose of the indoor unit without any leakage and goes out the drain exit.



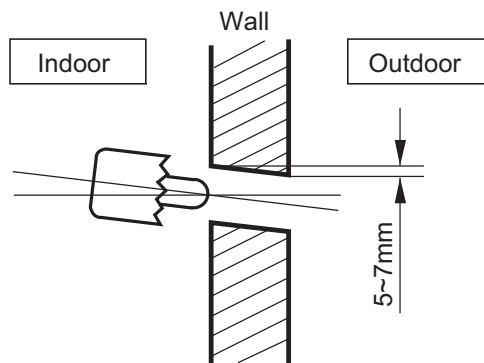
\* The feature can be changed according to type of model.



## 8. Installation

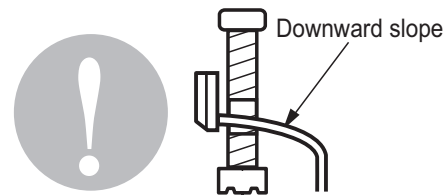
### ◆ Drill a Hole in the wall

1. Drill the piping hole with a  $\varnothing$  70mm hole core drill.  
Drill the piping hole at either the right or the left with the holes slightly slanted to the outdoor side.

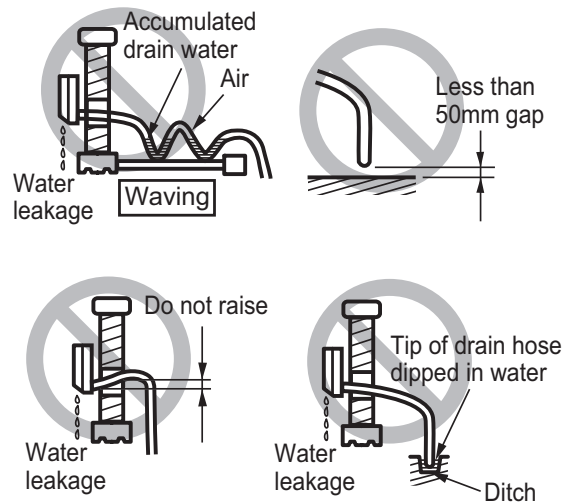


### ◆ Drain Piping

1. The drain hose should point downward for easy drain flow



2. Do not make drain piping like the following.



\* The feature can be changed according to type of model.

## 8. Installation

---

### 8.3 Wiring the cable to the indoor units

#### 8.3.1 General instructions

- All field supplied parts and materials, electric works must conform to local codes. Use copper wire only.
  - Follow the "**WIRING DIAGRAM**" attached to the unit body to wire the outdoor unit, indoor units and the remote controller.
  - All wiring must be performed by an authorized electrician.
  - A circuit breaker capable of shutting down the power supply to the entire system must be installed.
- 

#### CAUTION

After the confirmation of the above conditions, prepare the wiring as follows:

- Never fail to have separate power specially for the air conditioner.
  - Provide a circuit breaker switch between power source and the unit.
  - Confirm the Specification of power source.
  - Confirm that electrical capacity is sufficient.
  - Be sure that the starting voltage is maintained at more than 90 percent of the rated voltage marked on the name plate.
  - Confirm that the cable thickness is as specified in the power sources specification.  
(Particularly note the relation between cable length and thickness.)
  - Do not install the leakage breaker in a place which is wet or moist.  
Water or moist may cause short circuit.
  - The following troubles would be caused by voltage drop-down.
    - » Vibration of a magnetic switch, damage on the contact point there of, fuse breaking, disturbance to the normal function of a overload protection device.
    - » Proper starting power is not given to the compressor.
- 

#### 8.3.2 Wiring connection

- Connect the wires to the terminals on the control board individually according to the outdoor unit connection.
- Ensure that the color of the wires of outdoor unit and the terminal No. are the same as those of indoor unit respectively.
- In case of the system with multiple indoor units, mark each indoor unit as unit A, unit B, etc and be sure the terminal board wiring to the outdoor unit and indoor units are properly matched. If wiring and piping between the outdoor unit and an indoor unit are mismatched, the system may cause a malfunction.

#### 8.3.3 Clamping of cables

1. Arrange 2 power cables on the control panel.
2. First, fasten the steel clamp with a screw to the inner boss of control panel.
3. For connecting of communication (transmission) cable, put the cable(or thinner cable) on the clamp and tighten it with a plastic clamp to the other boss of the control panel. In case that communication (transmission) cable is not needed to connect, fix the other side of the clamp with a screw strongly.

## 8. Installation

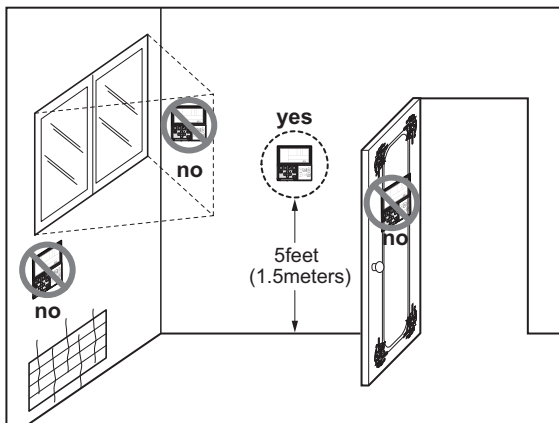
### **⚠ WARNING**

- Make sure that the screws of the terminal are fixed tightly.
- The screw which fasten the wiring in the casing of electrical fittings are liable to come loose from vibrations to which the unit is subjected during the course of transportation. Check them and make sure that they are all tightly fastened. (If they are loose, it could give rise to burn-out of the wires.)
- Make sure to attach the sealing material or (field supplied) to hole of wiring to prevent the infiltration of foreign particle from outside. Otherwise a short-circuit may occur inside the electric parts box.
- When clamping the wires, be sure no pressure is applied to the wire connections by using the included clamping material to make appropriate clamps. Also, when wiring, make sure the cover on the electric parts box fits snugly by arranging the wires neatly and attaching the electric parts box cover firmly. When attaching the electric parts box cover, make sure no wires get caught in the edges. Pass wiring through the wiring through holes to prevent damage to them.
- Make sure the remote controller wiring, the wiring between the units, and other electrical wiring do not pass through the same locations outside of the unit, separating them properly, otherwise electrical noise (external static) could cause product malfunction.

### 8.3.4 Wired Remote Controller Installation (Optional)

Since the room temperature sensor is in the remote controller, the remote controller box should be installed in a place away from direct sunlight, high humidity and direct supply of cold air to maintain proper space temperature.

Install the remote controller about 5ft(1.5m) above the floor in an area with good air circulation at an average temperature.



#### • Do not install the remote controller where it can be affected by :

- Drafts, or dead spots behind doors and in corners.
- Hot or cold air from ducts.
- Radiant heat from sun or appliances.
- Concealed pipes and chimneys.
- Uncontrolled areas such as an outside wall behind the remote controller.
- This remote controller is equipped with a seven segment LED. display. For proper display of the remote controller LED's, the remote controller should be installed properly. (The standard height is 1.2~1.5 m from floor level.)

# **MULTI/SINGLE**

Indoor unit

## **Wall Mounted Unit (3)**

- 1.List of Functions**
- 2.Specifications**
- 3.Dimensions**
- 4.Piping diagrams**
- 5.Wiring diagrams**
- 6.Air flow and temperature distribution**
- 7.Sound levels**
- 8.Installation**

# 1. List of functions

## ■ Standard plus (S)

### ◆ List of function

Category	Functions	ZMNW05GSJC0 [MJ05PC NSJ], ZMNW07GSJC0 [MJ07PC NSJ] ZMNW09GSJC0 [MJ09PC NSJ], ZMNW12GSJC0 [MJ12PC NSJ] ZMNW15GSJC0 [MJ15PC NSJ], ZMNW18GSKC0 [MJ18PC NSK] ZMNW24GSKC0 [MJ24PC NSK]
Air Flow	Air Supply Outlet	1
	Airflow Direction Control (left & right)	Auto
	Airflow Direction Control (up & down)	Auto
	Auto Swing (left & right)	O
	Auto Swing (up & down)	O
	Airflow Steps (fan/cool/heat)	6 / 6 / 6
	Fan Speed Auto*	Advanced
	Power Cool/Heat	O / O
	Swirl Wind*	X
	Refresh Mode**	X
	Smart Mode**	X
	Indirect Wind*	O
	Direct Wind*	O
Dry Operation	O	
Air Purification	Air Purify	X
	Ionizer	X
	UV-C	X
	Pre-Filter	O
	PM1.0 Filter	X
Reliability	Hot Start	O
	Self Diagnosis	O
Convenience	Auto Mode	O
	Auto Dry Operation	O
	Auto Restart	O
	Child Lock*	O
	Forced Operation	O
	Group Control*	X
	Sleep Timer	O
	Turn On/Off Reservation	O
	Schedule*	O
	Two Thermistor Control*	O
External On/Off	X	
Installation	Drain Pump	X
	E.S.P. Control*	X
	High Ceiling Operation*	X
Special Functions	Wi-Fi	Embedded
	Auto Elevation Grille	X
	Human Detection Function**	X
	Floor Detection Function**	X

#### Note

1. O : Applied, X : Not Applied, - : Unconfirmed or irrelevant

Embedded : A kit is provided by default for using this function when the product is manufactured.

Accessory : Ordered and purchased separately the accessory package referring to the model name provided and install at field. Accessory line-ups varies by region, so check your local catalogue or local sales material.

2. Some functions can be limited by remote controller.

3. In case of cassette type indoor units, Air Purification Kit and Auto Elevation Grille functions are not applicable at the same time.

4. 'Auto Mode' varies depending on the outdoor unit type.

- Auto Change Over(Single Heat Pump Outdoor Unit)

- Auto Mode Select(Multi Heat Pump Outdoor Unit)

- Auto Intensity Control(Cooling Only Outdoor Unit)

5. \* : These functions need to connect the wired remote controller.

6. \*\* : This functions need to connect to the Standard III wired remote controller.

# 1. List of functions

## ◆ Accessory Compatibility List

Category		Product	Remark	ZMNW05GSJC0 [MJ05PC NSJ] ZMNW07GSJC0 [MJ07PC NSJ] ZMNW09GSJC0 [MJ09PC NSJ] ZMNW12GSJC0 [MJ12PC NSJ] ZMNW15GSJC0 [MJ15PC NSJ] ZMNW18GSKC0 [MJ18PC NSK] ZMNW24GSKC0 [MJ24PC NSK]
Wireless Remote Controller		PQWRHQ0FDB	Heat Pump	O (Embedded)
		PWLSSB21H	Heat Pump	O
Wired Remote Controller	Simple	PQRCVCL0Q(W)	Simple	O
		PQRCHCA0Q(W)	for Hotel	O
	Standard	PREMTB001	Standard II (White)	O
		PREMTBB01	Standard II (Black)	O
		PREMTB100	Standard III (White)	O
		PREMTBB10	Standard III (Black)	O
	Premium	PREMTA000(A/B)	Premium	X
Dry contact	Simple Contact	PDRYCB000	Simple Dry Contact	O
	Communication type	PDRYCB400	2 Points Dry Contact (For Setback)	O
		PDRYCB300	For 3rd Party Thermostat	O
		PDRYCB320	For 3rd Party Thermostat (Analog Input)	O
		PDRYCB500	For Modbus	O
Gateway	IDU PI485	PHNFP14A0	Without case	X
		PSNFP14A0	With case	X
ETC	Remote temperature sensor	PQRSTA0	-	X
	Zone controller	ABZCA	-	X
	CO <sub>2</sub> Sensor	PES-C0RV0	For ERV, ERV DX Indoor units	X
	Group control wire	PZCWRCG3	0.25m	X
	2-Remo Control Wire	PZCWRC2	0.25m	X
	Extension Wire	PZCWRC1	10m	O
	Wi-Fi Controller*	PWFMDD200	-	O (Embedded)
Human detecting sensor	PTVSA00	-	X	

### Note

1. O: Possible, X: Impossible, -: Not applicable, Embedded: Included with product.
2. \*: Some advanced functions controlled by individual controller cannot be operated.
3. If there is a difference in development time between the product and the remote controller, some functions cannot be operated.
4. Selecting a wireless remote controller in case of ducted type indoor units requires either a connection to the wired remote controller (Standard II) or an IR receiver accessory to be connected to the duct in order to receive the signal.
5. If you need more detail, please refer to the **BECON** PDB or the manual of product. (<http://partner.lge.com/global> : Home> Doc.Library> Product > Control(BECON))

## 2. Specifications

### ■ Standard plus (S)

Model Name			ZMNW05GSJC0 [MJ05PC NSJ]	ZMNW07GSJC0 [MJ07PC NSJ]
Power Supply		V, Ø, Hz	220-240,1, 50	220-240,1, 50
			220, 1, 60	220, 1, 60
Capacity(Nominal)	Cooling	kW	1.5	2.1
	Heating	kW	1.6	2.4
Power Input	Min./Nom./Max.		11 / 16 / 30	11 / 17 / 30
Running Current	Min./Nom./Max.		0.10 / 0.13 / 0.20	0.10 / 0.14 / 0.20
Casing Color		-	Munsell 7.5BG 10/2 (RAL 9016)	
Dimensions	Body	W x H x D	mm	818 x 316 x 189
		W x H x D	inch	32-7/32 x 12-7/16 x 7-7/16
	Shipping	W x H x D	mm	892 x 381 x 249
		W x H x D	inch	35-1/8 x 15 x 9-13/16
Weight	Body		kg (lbs)	8.2 (18.1)
	Shipping		kg (lbs)	10.2 (22.5)
Heat Exchanger	(Row x Column x Fins per inch) x No.		-	(2 x 23 x 22) x 1
	Face Area		m <sup>2</sup> (ft <sup>2</sup> )	0.20 (2.15)
Fan	Type		-	Cross Flow Fan
	Air Flow Rate	H / M / L	m <sup>3</sup> /min	7.1 / 5.7 / 4.6
		H / M / L	ft <sup>3</sup> /min	251 / 201 / 162
Fan Motor	Type		-	BLDC
	Output		W x No.	30 x 1
Sound Pressure Level	H / M / L		dB(A)	34 / 31 / 26
Sound Power Level	Rated		dB(A)	56
Piping Connections	Liquid		mm(inch)	Ø 6.35 (1/4)
	Gas		mm(inch)	Ø 9.52 (3/8)
	Drain	O.D. / I.D.	mm	Ø 21.5 / 16.0
Safety Devices		-	Fuse	Fuse
		-	Thermal Protector for Fan Motor	
Connections Method		-	Flared	Flared
Power and Communication Cable (included Earth)		No. x mm <sup>2</sup> (AWG)	4C x 0.75 (18)	4C x 0.75 (18)

**Note**

1. Due to our policy of innovation some specifications may be changed without notification.
2. Wiring cable size must comply with the applicable local and national code. And "Electric characteristics" chapter should be considered for electrical work and design. Especially the power cable and circuit breaker should be selected in accordance with that.
3. Sound Level Values are measured at Noise Measuring chamber accordance with standard. Therefore, these values depend on the ambient conditions and values are normally higher in actual operation(Sound Pressure : LG Internal standard, Sound Power : EN 12102 (ISO 3741).
4. Capacities are net capacities and based on the following conditions. Refer to the Outdoor Unit Specifications for calculating the real capacity.
  - Cooling : Indoor Ambient Temp. 27°CDB / 19°CWB, Outdoor Ambient Temp. 35°CDB / 24°CWB
  - Heating : Indoor Ambient Temp. 20°CDB / 15°CWB, Outdoor Ambient Temp. 7°CDB / 6°CWB
  - Interconnected Pipe is standard length and difference of Elevation (Outdoor ~ Indoor Unit) is 0m.

## 2. Specifications

Model Name				ZMNW09GSJC0 [MJ09PC NSJ]	ZMNW12GSJC0 [MJ12PC NSJ]
Power Supply		V, Ø, Hz		220-240, 1, 50	220-240, 1, 50
				220, 1, 60	220, 1, 60
Capacity(Nominal)	Cooling	kW		2.6	3.5
	Heating	kW		3.2	4
Power Input	Min./Nom./Max.		W	11 / 18 / 30	11 / 19 / 30
Running Current	Min./Nom./Max.		A	0.10 / 0.16 / 0.20	0.10 / 0.17 / 0.20
Casing Color			-	Munsell 7.5BG 10/2 (RAL 9016)	
Dimensions	Body	W x H x D	mm	818 x 316 x 189	818 x 316 x 189
		W x H x D	inch	32-7/32 x 12-7/16 x 7-7/16	32-7/32 x 12-7/16 x 7-7/16
	Shipping	W x H x D	mm	892 x 381 x 249	892 x 381 x 249
		W x H x D	inch	35-1/8 x 15 x 9-13/16	35-1/8 x 15 x 9-13/16
Weight	Body		kg (lbs)	8.2 (18.1)	8.2 (18.1)
	Shipping		kg (lbs)	10.2 (22.5)	10.2 (22.5)
Heat Exchanger	(Row x Column x Fins per inch) x No.		-	(2 x 23 x 22) x 1	(2 x 23 x 22) x 1
	Face Area		m <sup>2</sup> (ft <sup>2</sup> )	0.20 (2.15)	0.20 (2.15)
Fan	Type		-	Cross Flow Fan	Cross Flow Fan
	Air Flow Rate	H / M / L	m <sup>3</sup> /min	7.6 / 6.2 / 4.8	8.0 / 6.6 / 5.5
		H / M / L	ft <sup>3</sup> /min	268 / 218 / 169	282 / 233 / 177
Fan Motor	Type		-	BLDC	BLDC
	Output		W x No.	30 x 1	30 x 1
Sound Pressure Level		H / M / L	dB(A)	36 / 32 / 27	38 / 34 / 29
Sound Power Level		Rated	dB(A)	56	56
Piping Connections	Liquid		mm(inch)	Ø 6.35 (1/4)	Ø 6.35 (1/4)
	Gas		mm(inch)	Ø 9.52 (3/8)	Ø 9.52 (3/8)
	Drain	O.D. / I.D.	mm	Ø 21.5 / 16.0	Ø 21.5 / 16.0
Safety Devices			-	Fuse	Fuse
			-	Thermal Protector for Fan Motor	
Connections Method			-	Flared	Flared
Power and Communication Cable (included Earth)			No. x mm <sup>2</sup> (AWG)	4C x 0.75 (18)	4C x 0.75 (18)

### Note

1. Due to our policy of innovation some specifications may be changed without notification.
2. Wiring cable size must comply with the applicable local and national code. And "Electric characteristics" chapter should be considered for electrical work and design. Especially the power cable and circuit breaker should be selected in accordance with that.
3. Sound Level Values are measured at Noise Measuring chamber accordance with standard. Therefore, these values depend on the ambient conditions and values are normally higher in actual operation(Sound Pressure : LG Internal standard, Sound Power : EN 12102 (ISO 3741).
4. Capacities are net capacities and based on the following conditions. Refer to the Outdoor Unit Specifications for calculating the real capacity.
  - Cooling : Indoor Ambient Temp. 27°CDB / 19°CWB, Outdoor Ambient Temp. 35°CDB / 24°CWB
  - Heating : Indoor Ambient Temp. 20°CDB / 15°CWB, Outdoor Ambient Temp. 7°CDB / 6°CWB
  - Interconnected Pipe is standard length and difference of Elevation (Outdoor ~ Indoor Unit) is 0m.



## 2. Specifications

Model Name				ZMNW15GSJC0 [MJ15PC NSJ]
Power Supply		V, Ø, Hz		220-240, 1, 50
				220, 1, 60
Capacity(Nominal)	Cooling	kW		4.2
	Heating	kW		5.4
Power Input	Min./Nom./Max.		W	12 / 21 / 30
Running Current	Min./Nom./Max.		A	0.12 / 0.18 / 0.20
Casing Color				Munsell 7.5BG 10/2 (RAL 9016)
Dimensions	Body	W x H x D	mm	818 x 316 x 189
		W x H x D	inch	32-7/32 x 12-7/16 x 7-7/16
	Shipping	W x H x D	mm	892 x 381 x 249
		W x H x D	inch	35-1/8 x 15 x 9-13/16
Weight	Body		kg (lbs)	8.2 (18.1)
	Shipping		kg (lbs)	10.2 (22.5)
Heat Exchanger	(Row x Column x Fins per inch) x No.		-	(2 x 23 x 22) x 1
	Face Area		m <sup>2</sup> (ft <sup>2</sup> )	0.20 (2.15)
Fan	Type		-	Cross Flow Fan
	Air Flow Rate	H / M / L	m <sup>3</sup> /min	8.9 / 7.2 / 5.6
		H / M / L	ft <sup>3</sup> /min	314 / 254 / 198
Fan Motor	Type		-	BLDC
	Output		W x No.	30 x 1
Sound Pressure Level		H / M / L	dB(A)	42 / 35 / 30
Sound Power Level		Rated	dB(A)	57
Piping Connections	Liquid		mm(inch)	Ø 6.35 (1/4)
	Gas		mm(inch)	Ø 9.52 (3/8)
	Drain	O.D. / I.D.	mm	Ø 21.5 / 16.0
Safety Devices			-	Fuse
			-	Thermal Protector for Fan Motor
Connections Method			-	Flared
Power and Communication Cable (included Earth)			No. x mm <sup>2</sup> (AWG)	4C x 0.75 (18)

### Note

- Due to our policy of innovation some specifications may be changed without notification.
- Wiring cable size must comply with the applicable local and national code. And "Electric characteristics" chapter should be considered for electrical work and design. Especially the power cable and circuit breaker should be selected in accordance with that.
- Sound Level Values are measured at Noise Measuring chamber accordance with standard. Therefore, these values depend on the ambient conditions and values are normally higher in actual operation(Sound Pressure : LG Internal standard, Sound Power : EN 12102 (ISO 3741).
- Capacities are net capacities and based on the following conditions. Refer to the Outdoor Unit Specifications for calculating the real capacity.
  - Cooling : Indoor Ambient Temp. 27°CDB / 19°CWB, Outdoor Ambient Temp. 35°CDB / 24°CWB
  - Heating : Indoor Ambient Temp. 20°CDB / 15°CWB, Outdoor Ambient Temp. 7°CDB / 6°CWB
  - Interconnected Pipe is standard length and difference of Elevation (Outdoor ~ Indoor Unit) is 0m.

## 2. Specifications

Model Name			ZMNW18GSKC0 [MJ18PC NSK]	ZMNW24GSKC0 [MJ24PC NSK]
Power Supply		V, Ø, Hz	220-240, 1, 50	220-240, 1, 50
			220, 1, 60	220, 1, 60
Capacity(Nominal)	Cooling	kW	5.3	7
	Heating	kW	6.3	7.5
Power Input	Min./Nom./Max.	W	26 / 39 / 60	27 / 45 / 60
Running Current	Min./Nom./Max.	A	0.22 / 0.28 / 0.40	0.24 / 0.33 / 0.40
Casing Color		-	Munsell 7.5BG 10/2 (RAL 9016)	
Dimensions	Body	W x H x D	mm	975 x 354 x 209
		W x H x D	inch	38-3/8 x 13-15/16 x 8-7/32
	Shipping	W x H x D	mm	1,063 x 420 x 274
		W x H x D	inch	41-27/32 x 16-17/32 x 10-25/32
Weight	Body	kg (lbs)	10.9 (24.0)	11.5 (25.4)
	Shipping	kg (lbs)	13.9 (30.6)	14.5 (32.0)
Heat Exchanger	(Row x Column x Fins per inch) x No.	-	(2 x 16 x 20) x 1	(2 x 16 x 20) x 1
	Face Area	m <sup>2</sup> (ft <sup>2</sup> )	0.24 (2.58)	0.24 (2.58)
Fan	Type	-	Cross Flow Fan	Cross Flow Fan
	Air Flow Rate	H / M / L	m <sup>3</sup> /min	15.8 / 12.4 / 10.0
		H / M / L	ft <sup>3</sup> /min	558 / 438 / 353
Fan Motor	Type	-	BLDC	BLDC
	Output	W x No.	30 x 1	60 x 1
Sound Pressure Level	H / M / L	dB(A)	44 / 38 / 34	46 / 41 / 36
Sound Power Level	Rated	dB(A)	59	65
Piping Connections	Liquid	mm(inch)	Ø 6.35 (1/4)	Ø 6.35 (1/4)
	Gas	mm(inch)	Ø 12.7 (1/2)	Ø 12.7 (1/2)
	Drain	O.D. / I.D.	mm	Ø 21.5 / 16.0
Safety Devices		-	Fuse	Fuse
		-	Thermal Protector for Fan Motor	
Connections Method		-	Flared	Flared
Power and Communication Cable (included Earth)		No. x mm <sup>2</sup> (AWG)	4C x 0.75 (18)	4C x 0.75 (18)

### Note

- Due to our policy of innovation some specifications may be changed without notification.
- Wiring cable size must comply with the applicable local and national code. And "Electric characteristics" chapter should be considered for electrical work and design. Especially the power cable and circuit breaker should be selected in accordance with that.
- Sound Level Values are measured at Noise Measuring chamber accordance with standard. Therefore, these values depend on the ambient conditions and values are normally higher in actual operation(Sound Pressure : LG Internal standard, Sound Power : EN 12102 (ISO 3741)).
- Capacities are net capacities and based on the following conditions. Refer to the Outdoor Unit Specifications for calculating the real capacity.
  - Cooling : Indoor Ambient Temp. 27°CDB / 19°CWB, Outdoor Ambient Temp. 35°CDB / 24°CWB
  - Heating : Indoor Ambient Temp. 20°CDB / 15°CWB, Outdoor Ambient Temp. 7°CDB / 6°CWB
  - Interconnected Pipe is standard length and difference of Elevation (Outdoor ~ Indoor Unit) is 0m.

# 3. Dimensions

## ◆ SJ Chassis

ZMNW05GSJC0 [MJ05PC NSJ], ZMNW07GSJC0 [MJ07PC NSJ], ZMNW09GSJC0 [MJ09PC NSJ], ZMNW12GSJC0 [MJ12PC NSJ], ZMNW15GSJC0 [MJ15PC NSJ]

[Unit : mm]  
Chassi code : SJ  
DWG No. : TBN35166201\_Rev03

3D VIEW

△ Fixing the installation plate, drilling hole

Connecting gas/liquid pipe, drain hose

Approx. 475 to gas pipe  
Approx. 365 to liquid pipe  
Approx. 310 to drain hose

In case of left side piping

No.	Part Name	Knock-out type	Description
6	Decoration Cover	-	-
5	Display & Remote Controller Signal Receiver	-	-
4	Terminal Block for Power Supply Communication	-	-
3	Drain hose connection	-	-
2	Installation Plate	-	-
1	Refrigerant/Drain pipe and cable routing hole	Knock-out type	-

**Note**

- Unit should be installed in compliance with the installation manual in the product box.
- Unit should be grounded in accordance with the local regulations or applicable national codes.
- All electrical components and materials to be supplied from the site must comply with the local regulations or international codes.
- Electrical characteristics chapter should be considered for electrical work and design. Especially the power cable and circuit breaker should be selected in accordance with that.

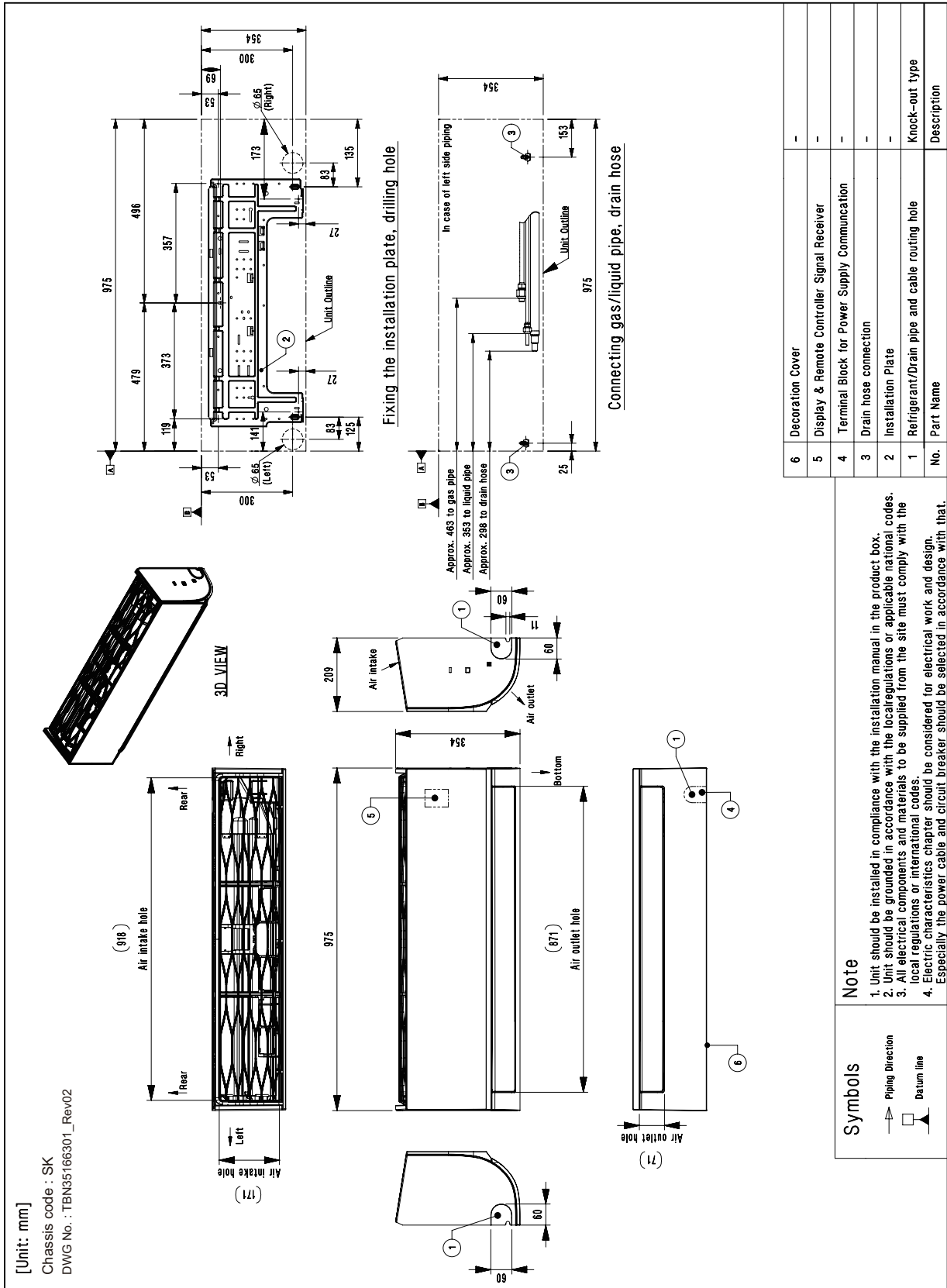
**Symbols**

↑ Piping Direction  
□ Datum line

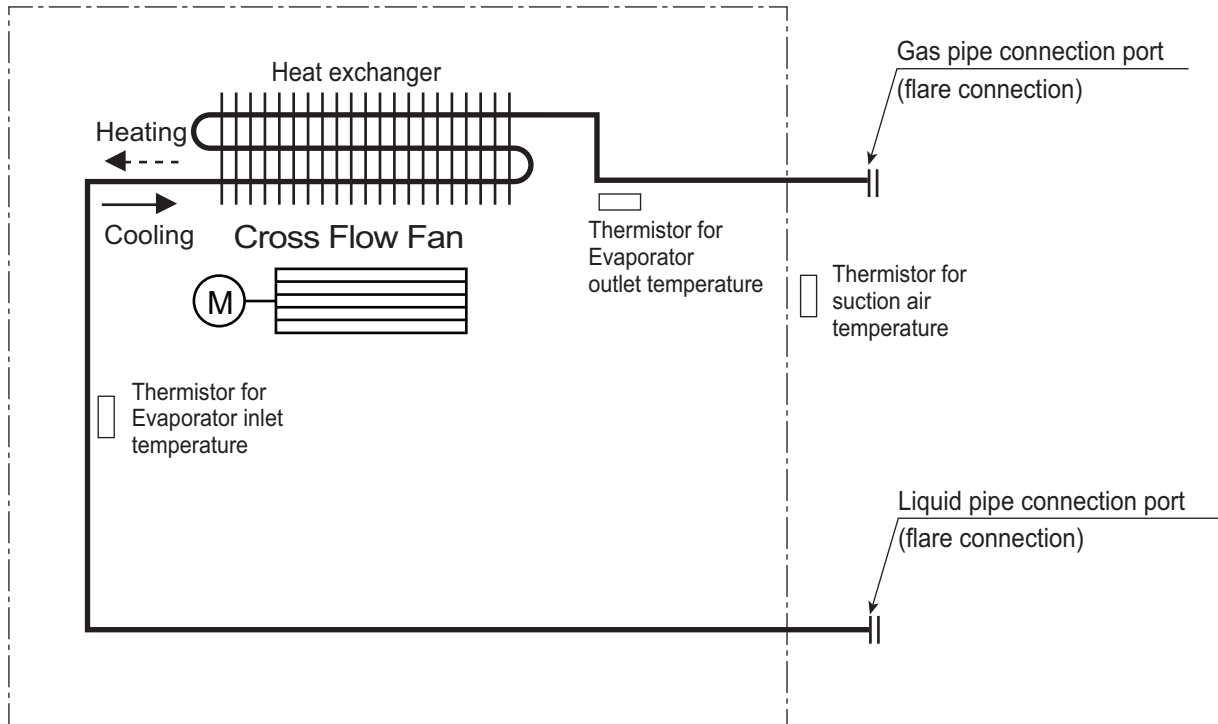
# 3. Dimensions

## ◆ SK Chassis

ZMNW18GSKC0 [MJ18PC NSK], ZMNW24GSKC0 [MJ24PC NSK]



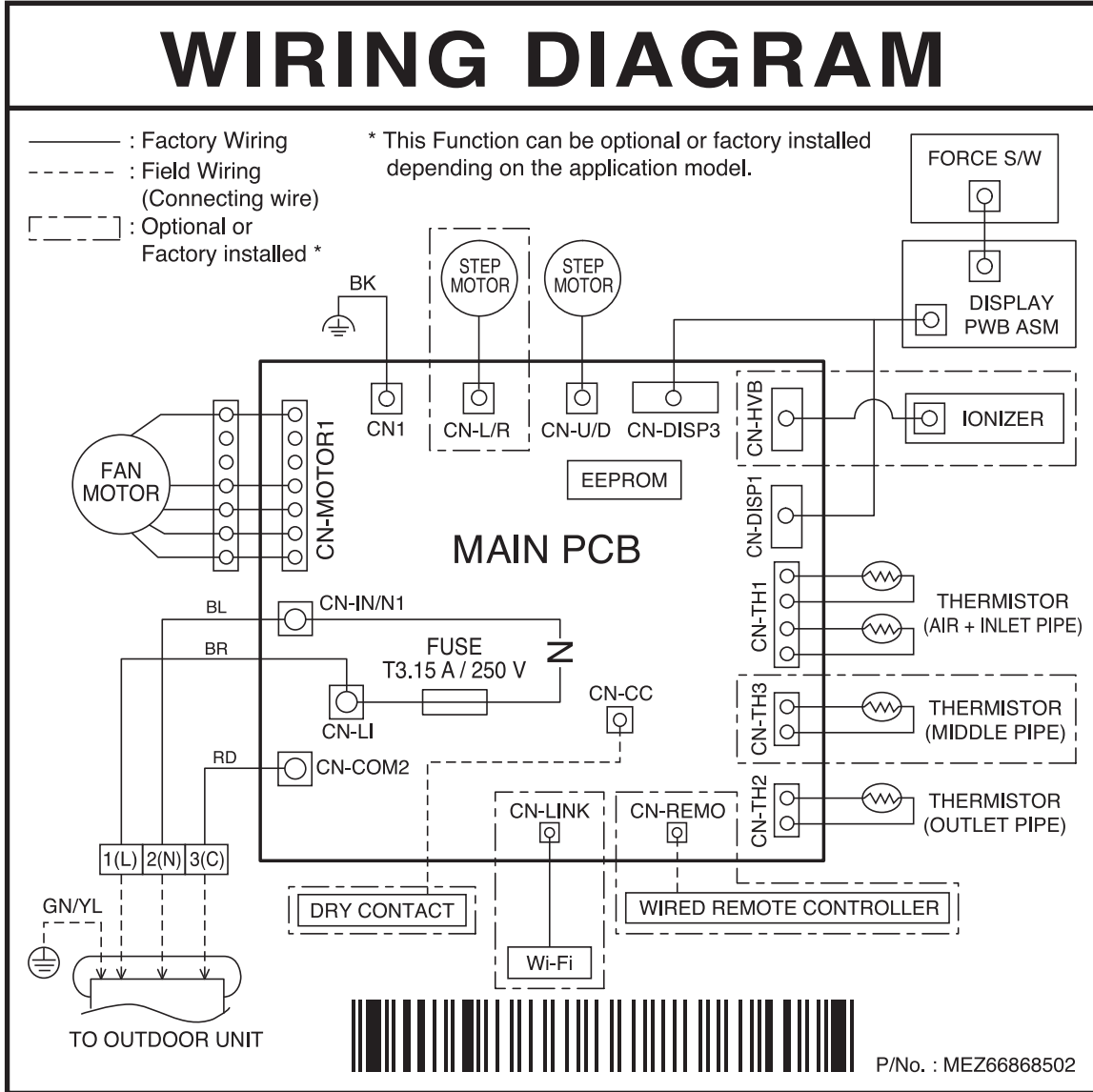
# 4. Piping diagrams



Description	PCB Connector
Thermistor for suction air temperature	CN-TH1
Thermistor for evaporator inlet temperature	
Thermistor for evaporator outlet temperature	CN-TH2

# 5. Wiring Diagrams

- ◆ Models : ZMNW05GSJC0 [MJ05PC NSJ], ZMNW07GSJC0 [MJ07PC NSJ], ZMNW09GSJC0 [MJ09PC NSJ], ZMNW12GSJC0 [MJ12PC NSJ], ZMNW15GSJC0 [MJ15PC NSJ], ZMNW18GSKC0 [MJ18PC NSK], ZMNW24GSKC0 [MJ24PC NSK]



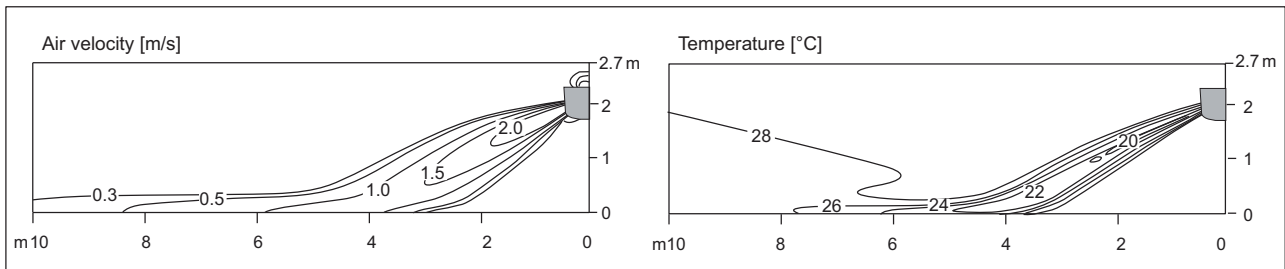
## 6. Air flow and temperature distributions (reference data)

- Models : ZMNW05GSJC0 [MJ05PC NSJ], ZMNW07GSJC0 [MJ07PC NSJ], ZMNW09GSJC0 [MJ09PC NSJ], ZMNW12GSJC0 [MJ12PC NSJ], ZMNW15GSJC0 [MJ15PC NSJ]

### ◆ Cooling

#### Side View

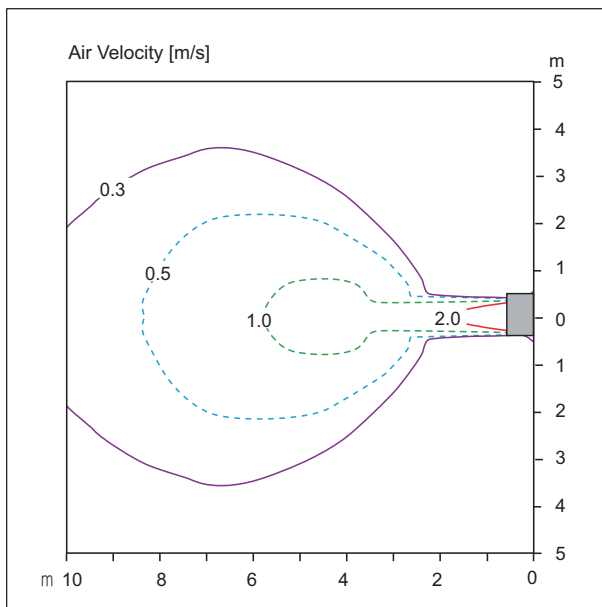
Discharge angle: 35°



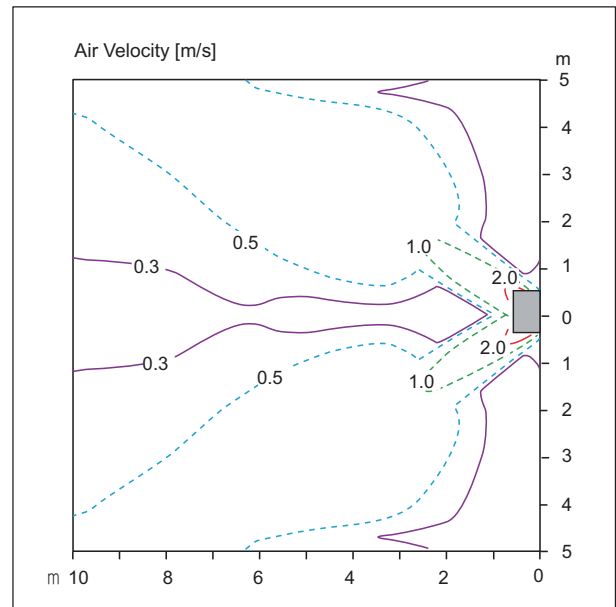
- Vertical Louver : Center
- Fan speed : Super High

#### Top View

Discharge angle: 35°



- Vertical Louver : Center
- Vertical Vane : 0°
- Fan speed : Super High
- Air speed 0.3m/s Range : 11.0m



- Vertical Louver : Left & Right
- Vertical Vane : 55°
- Fan speed : Super High

### Note

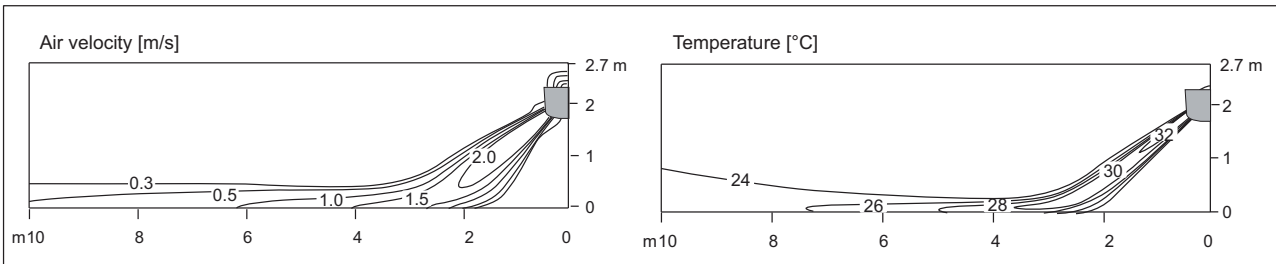
- These figures are accordance with normal certain condition and environment. (Airflow step is 'Super High', Air discharge angle is fixed as indicated angle.)
- Indoor airflow distribution under actual installation or operating conditions depends on ambient temperature, ceiling height, product installation direction / location, indoor / Heating load, and other obstacles, etc.

## 6. Air flow and temperature distributions (reference data)

### ◆ Heating

#### Side View

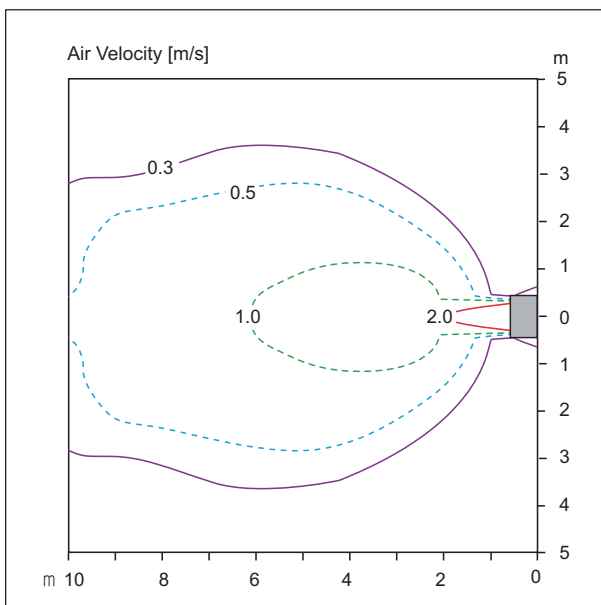
Discharge angle: 55°



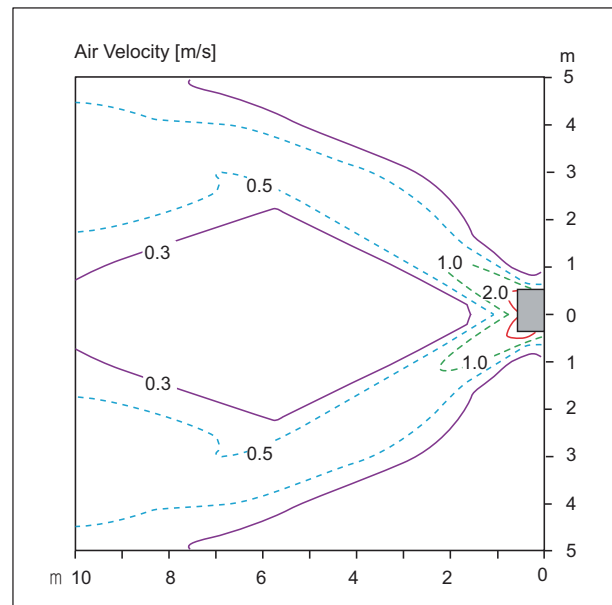
- Vertical Louver : Center
- Fan speed : Super High

#### Top View

Discharge angle: 55°



- Vertical Louver : Center
- Vertical Vane : 0°
- Fan speed : Super High
- Air speed 0.3m/s Range : 13.2m



- Vertical Louver : Left & Right
- Vertical Vane : 55°
- Fan speed : Super High

### Note

- These figures are accordance with normal certain condition and environment. (Airflow step is 'Super High', Air discharge angle is fixed as indicated angle.)
- Indoor airflow distribution under actual installation or operating conditions depends on ambient temperature, ceiling height, product installation direction / location, indoor / Heating load, and other obstacles, etc.



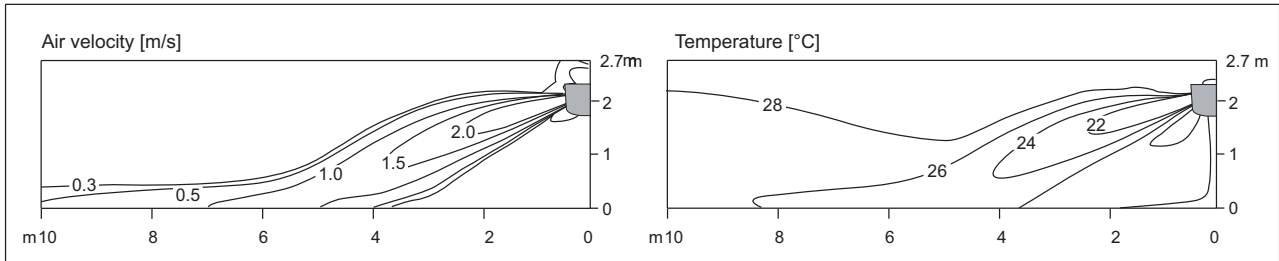
## 6. Air flow and temperature distributions (reference data)

### ■ Models : ZMNW18GSKC0 [MJ18PC NSK]

#### ◆ Cooling

##### Side View

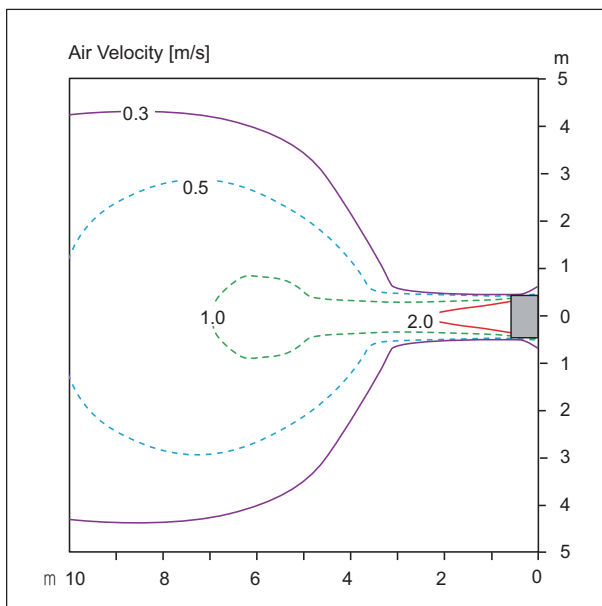
Discharge angle: 25°



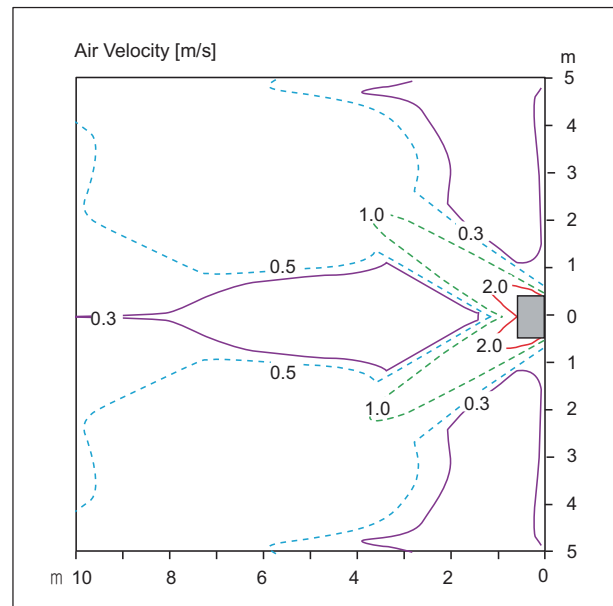
- Vertical Louver : Center
- Fan speed : Super High

##### Top View

Discharge angle: 25°



- Vertical Louver : Center
- Vertical Vane : 0°
- Fan speed : Super High
- Air speed 0.3m/s Range : 12.9m



- Vertical Louver : Left & Right
- Vertical Vane : 50°
- Fan speed : Super High

#### Note

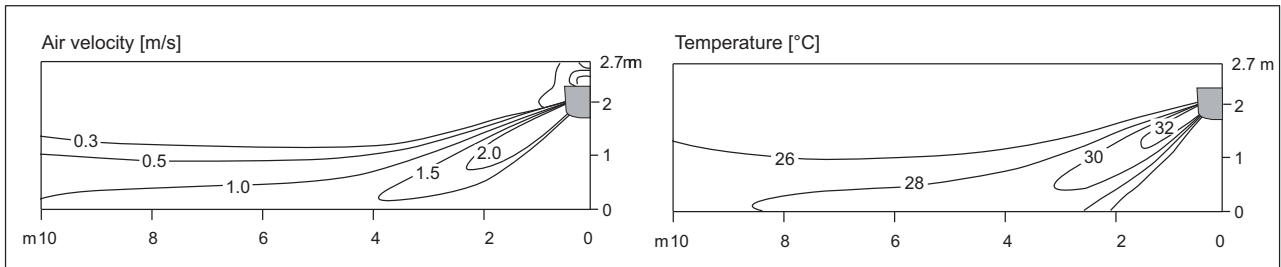
- These figures are accordance with normal certain condition and environment. (Airflow step is 'Super High', Air discharge angle is fixed as indicated angle.)
- Indoor airflow distribution under actual installation or operating conditions depends on ambient temperature, ceiling height, product installation direction / location, indoor / Heating load, and other obstacles, etc.

## 6. Air flow and temperature distributions (reference data)

### ◆ Heating

#### Side View

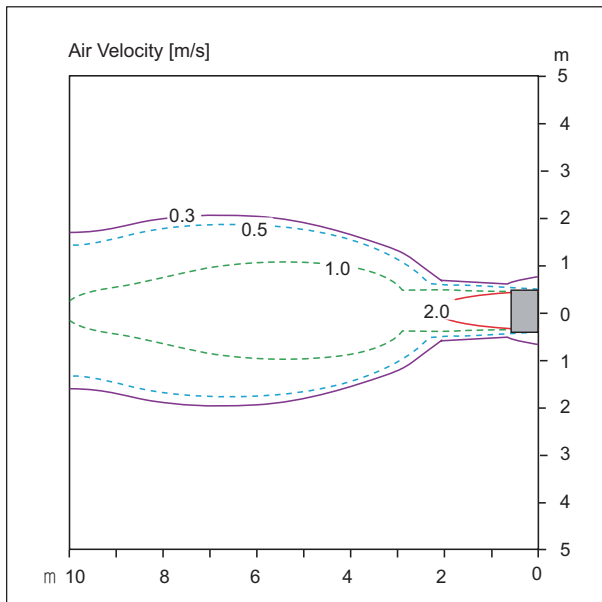
Discharge angle: 45°



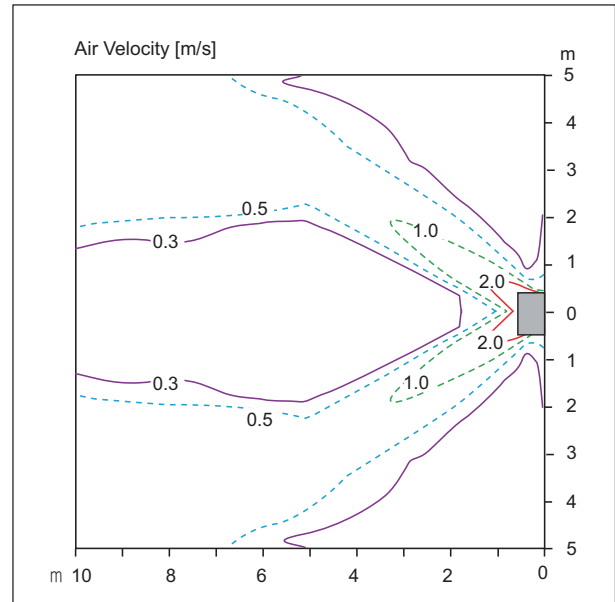
- Vertical Louver : Center
- Fan speed : Super High

#### Top View

Discharge angle: 45°



- Vertical Louver : Center
- Vertical Vane : 0°
- Fan speed : Super High
- Air speed 0.3m/s Range : 20.0m



- Vertical Louver : Left & Right
- Vertical Vane : 50°
- Fan speed : Super High

### Note

- These figures are accordance with normal certain condition and environment. (Airflow step is 'Super High', Air discharge angle is fixed as indicated angle.)
- Indoor airflow distribution under actual installation or operating conditions depends on ambient temperature, ceiling height, product installation direction / location, indoor / Heating load, and other obstacles, etc.

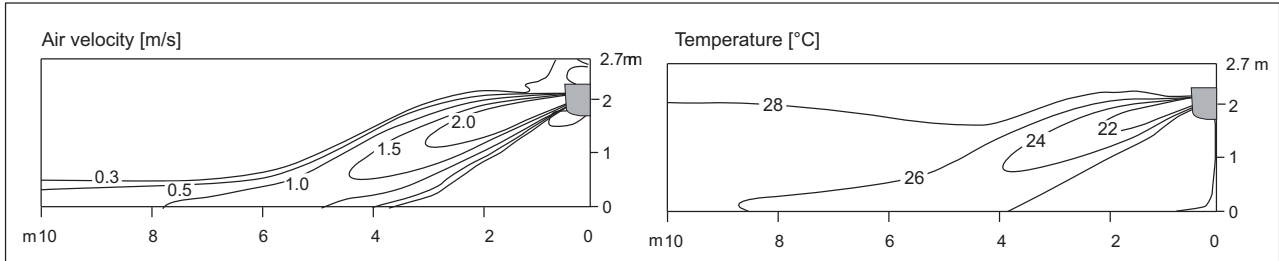
## 6. Air flow and temperature distributions (reference data)

### ■ Models : ZMNW24GSKC0 [MJ24PC NSK]

#### ◆ Cooling

##### Side View

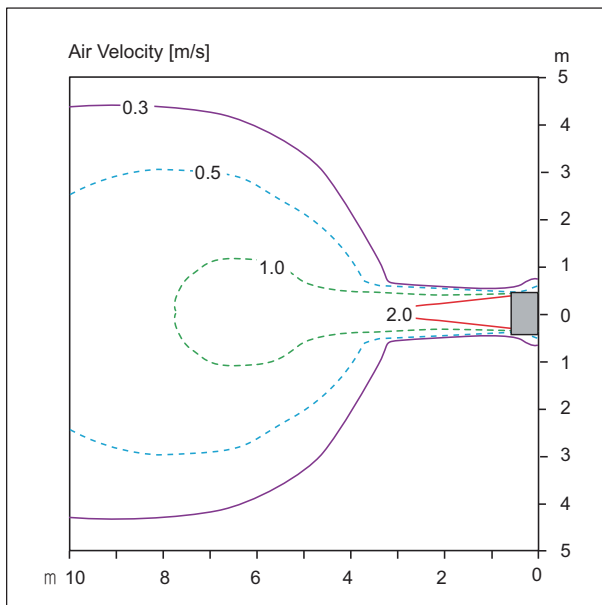
Discharge angle: 25°



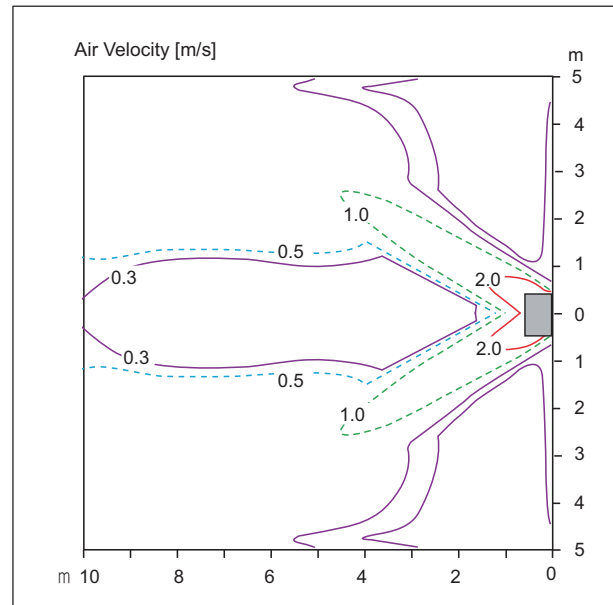
- Vertical Louver : Center
- Fan speed : Super High

##### Top View

Discharge angle: 25°



- Vertical Louver : Center
- Vertical Vane : 0°
- Fan speed : Super High
- Air speed 0.3m/s Range : 15.0m



- Vertical Louver : Left & Right
- Vertical Vane : 50°
- Fan speed : Super High

#### Note

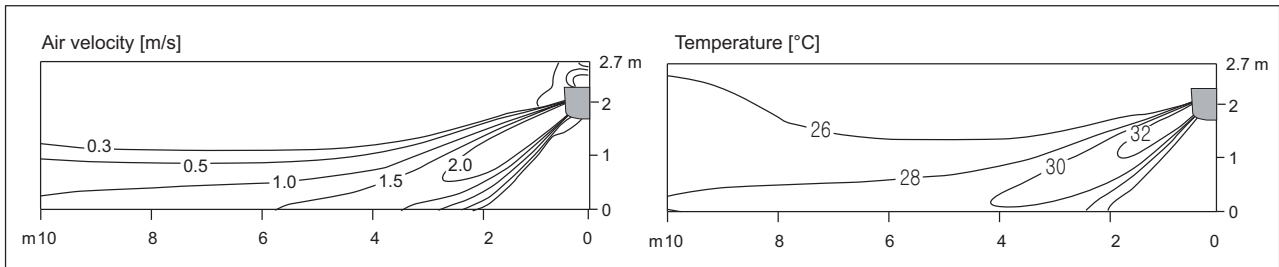
- These figures are accordance with normal certain condition and environment. (Airflow step is 'Super High', Air discharge angle is fixed as indicated angle.)
- Indoor airflow distribution under actual installation or operating conditions depends on ambient temperature, ceiling height, product installation direction / location, indoor / Heating load, and other obstacles, etc.

## 6. Air flow and temperature distributions (reference data)

### ◆ Heating

#### Side View

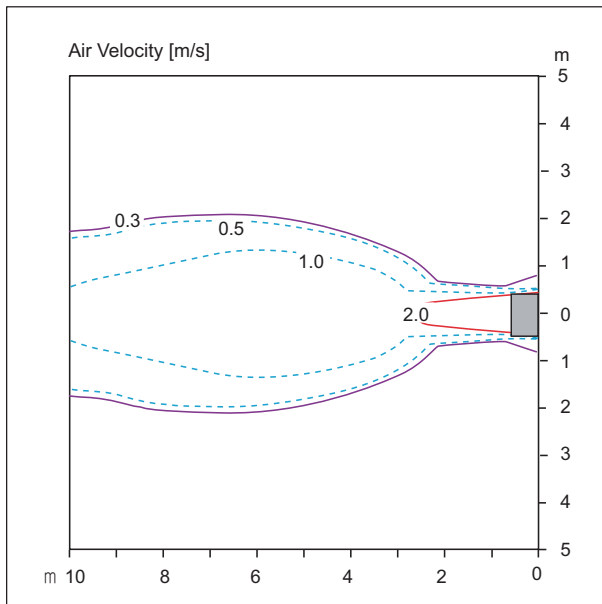
Discharge angle: 45°



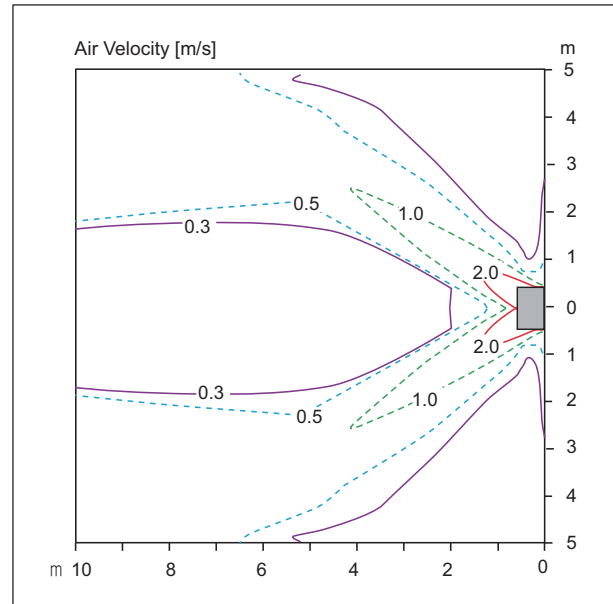
- Vertical Louver : Center
- Fan speed : Super High

#### Top View

Discharge angle: 45°



- Vertical Louver : Center
- Vertical Vane : 0°
- Fan speed : Super High
- Air speed 0.3m/s Range : 20.0m



- Vertical Louver : Left & Right
- Vertical Vane : 50°
- Fan speed : Super High

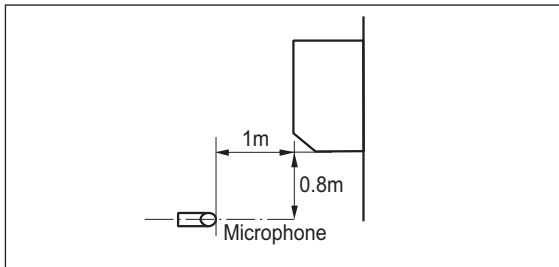
### Note

- These figures are accordance with normal certain condition and environment. (Airflow step is 'Super High', Air discharge angle is fixed as indicated angle.)
- Indoor airflow distribution under actual installation or operating conditions depends on ambient temperature, ceiling height, product installation direction / location, indoor / Heating load, and other obstacles, etc.

## 7. Sound levels

### 7.1 Sound pressure level

#### ■ Overall



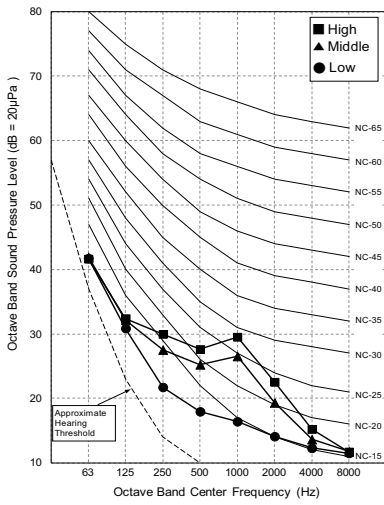
#### Note

1. Sound measured at some distance away from the center of the unit.
2. Data is valid at free field condition.
3. Reference acoustic pressure 0dB = 20μPa.
4. Data is valid at nominal operation condition.  
Refer to the Model Specifications for nominal conditions (Power source and Ambient temperature, etc)
5. Sound levels can be increased in accordance with installation and operating conditions. (Static pressure mode, used air guide, Room target temperature setting, etc)
6. Sound level will vary depending on a range of factors such as the construction (acoustic absorption coefficient) of particular room in which the equipment is installed.
7. Sound pressure level is measured on the rated condition in the anechoic rooms. (LG Internal Standard)  
Therefore, these values can be increased owing to ambient conditions during operation.

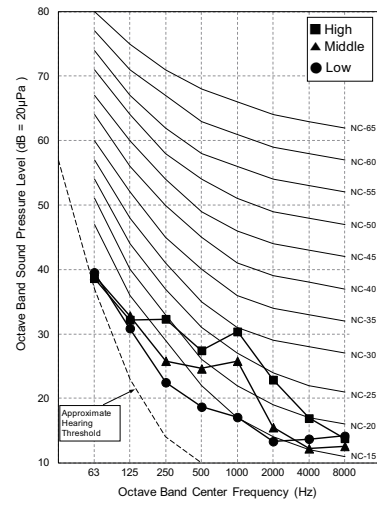
Model	50Hz, 220-240V		
	Sound pressure Levels [dB(A)]		
	H	M	L
ZMNW05GSJC0 [MJ05PC NSJ]	34	31	26
ZMNW07GSJC0 [MJ07PC NSJ]	35	31	26
ZMNW09GSJC0 [MJ09PC NSJ]	36	32	27
ZMNW12GSJC0 [MJ12PC NSJ]	38	34	29
ZMNW15GSJC0 [MJ15PC NSJ]	42	35	30
ZMNW18GSKC0 [MJ18PC NSK]	44	38	34
ZMNW24GSKC0 [MJ24PC NSK]	46	41	36

# 7. Sound levels

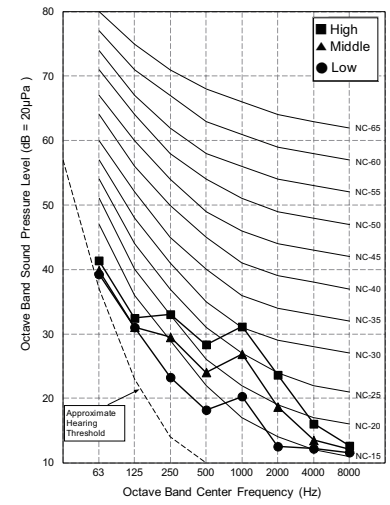
ZMNW05GSJC0 [MJ05PC NSJ]



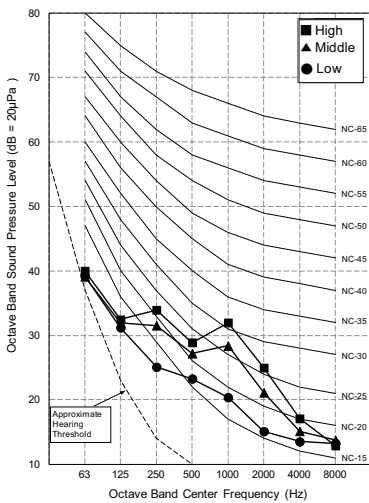
ZMNW07GSJC0 [MJ07PC NSJ]



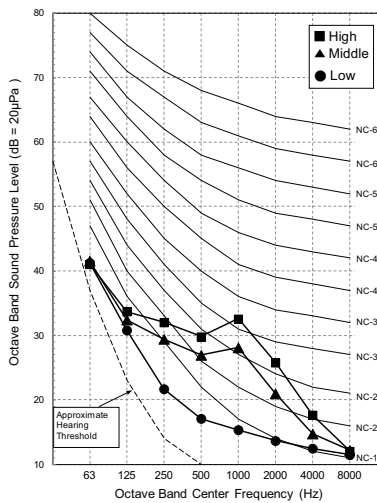
ZMNW09GSJC0 [MJ09PC NSJ]



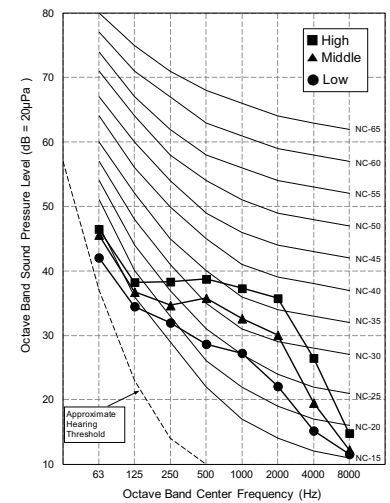
ZMNW12GSJC0 [MJ12PC NSJ]



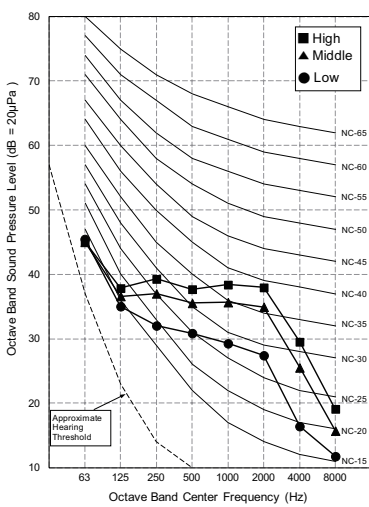
ZMNW15GSJC0 [MJ15PC NSJ]



ZMNW18GSKC0 [MJ18PC NSK]



ZMNW24GSKC0 [MJ24PC NSK]



## 7. Sound levels

### 7.2 Sound power level

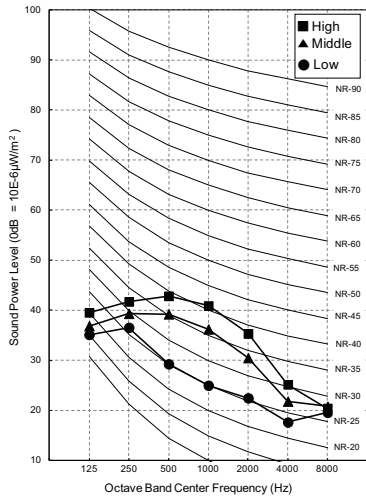
#### Note

1. Data is valid at diffuse field condition.
2. Data is valid at nominal operation condition.  
Refer to the Model Specifications for nominal conditions(Power source and Ambient temperature, etc)
3. Sound level can be increased in static pressure mode or used air guide.
4. Sound level will vary depending on a range of factors such as the construction (acoustic absorption coefficient).
5. Reference acoustic intensity 0dB =  $10E-6\mu W/m^2$
6. Sound power level is measured on the rated condition in the reverberation rooms by ISO 3741 standard.  
Therefore, these values can be increased owing to ambient conditions during operation.

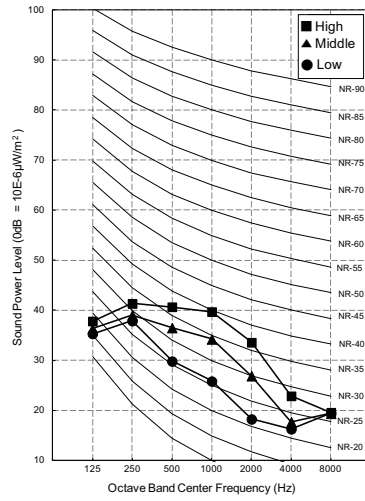
Model	Sound power Levels [dB(A)]
ZMNW05GSJC0 [MJ05PC NSJ]	56
ZMNW07GSJC0 [MJ07PC NSJ]	56
ZMNW09GSJC0 [MJ09PC NSJ]	56
ZMNW12GSJC0 [MJ12PC NSJ]	56
ZMNW15GSJC0 [MJ15PC NSJ]	57
ZMNW18GSKC0 [MJ18PC NSK]	59
ZMNW24GSKC0 [MJ24PC NSK]	65

# 7. Sound levels

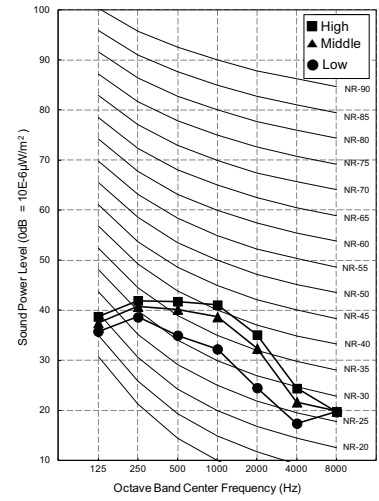
ZMNW05GSJC0 [MJ05PC NSJ]



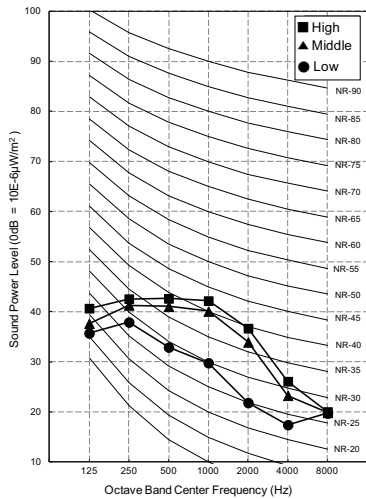
ZMNW07GSJC0 [MJ07PC NSJ]



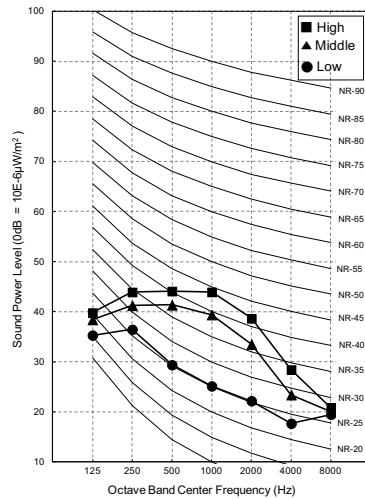
ZMNW09GSJC0 [MJ09PC NSJ]



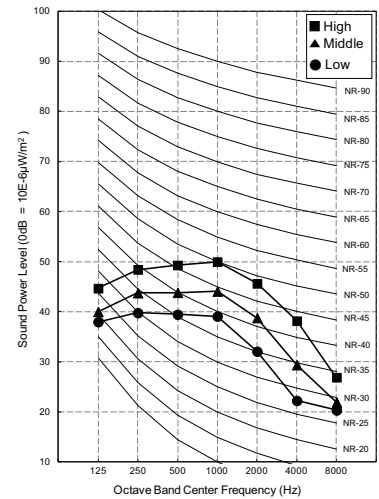
ZMNW12GSJC0 [MJ12PC NSJ]



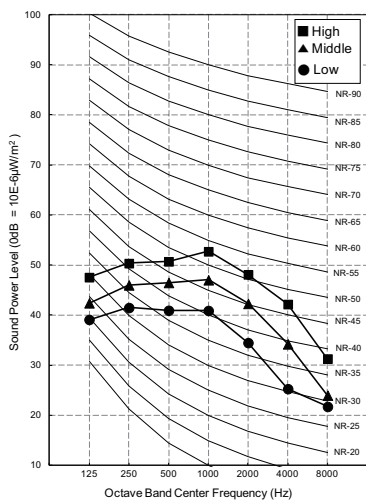
ZMNW15GSJC0 [MJ15PC NSJ]



ZMNW18GSKC0 [MJ18PC NSK]



ZMNW24GSKC0 [MJ24PC NSK]



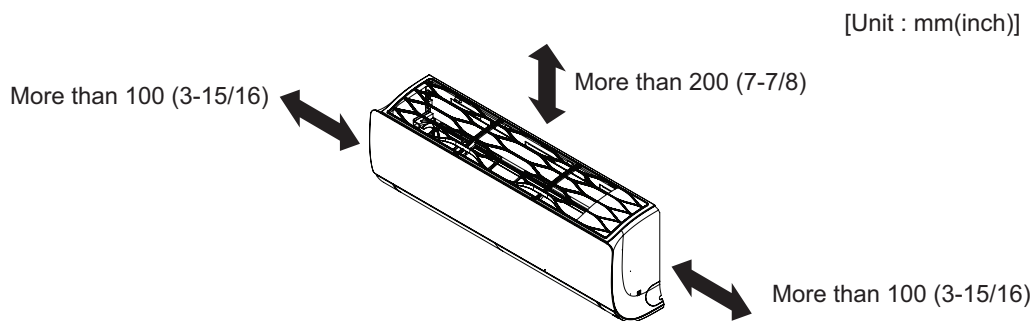


## 8. Installation

- Please read the instruction sheets completely before installing the product.
- When the power cord is damaged, replacement work shall be performed by authorized personnel only.
- Installation work must be performed in accordance with the national wiring standards.
- Teach the customer the operation and maintenance procedures, using the operation manual. (air filter cleaning, temperature control, etc.)

### 8.1 Selection of the best location

- The unit must be installed indoor area.
- Do not install the unit near the door.
- There should not be any obstacles to the air circulation or installation. Ensure the spaces from the wall, ceiling, or other obstacles.
- The place where the indoor unit can be connected with outdoor unit easily.
- The place where the unit is leveled.
- The place shall allow easy water drainage.
- The place where bear a load exceeding four times of the indoor unit weight.
- The mounting ceiling or wall should be solid enough to protect it from the vibration.
- The place where the unit is not affected by an electrical noise.
- The place where noise prevention is taken into consideration.
- The place where the maintenance space for product is sufficient.
- There should not be any heat source or steam near the unit.

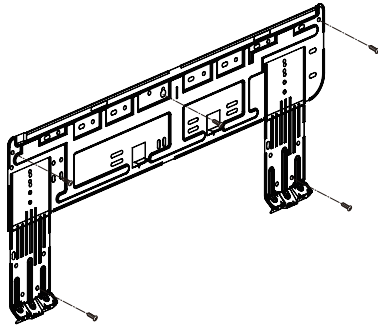


## 8. Installation

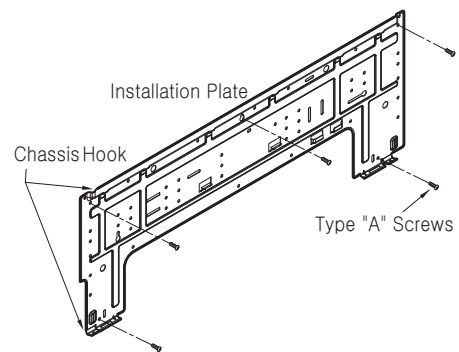
### ■ Fixing Installation Plate

- The wall you select should be strong and solid enough to prevent vibration.
  1. Mount the installation plate on the wall with type "A" screws which are provided with product. (Refer to the Installation manual.) If mounting the unit on a concrete wall, use anchor bolts.
    - Mount the installation plate horizontally by aligning the centerline using Horizontal meter.
  2. Measure the wall and mark the centerline. It is also important to use caution concerning the location of the installation plate. Routing of the wiring to power outlets is through the walls typically. Drilling the hole through the wall for piping connections must be done safely.

**SJ Chassis**

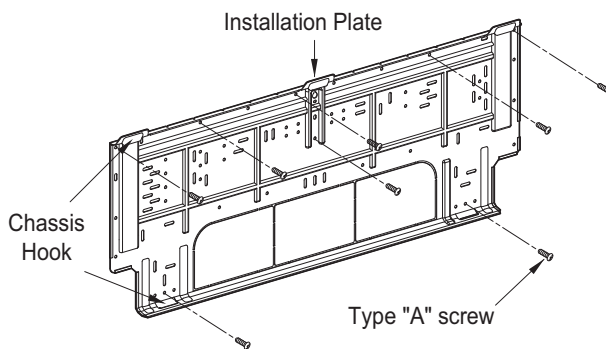


**SK Chassis**

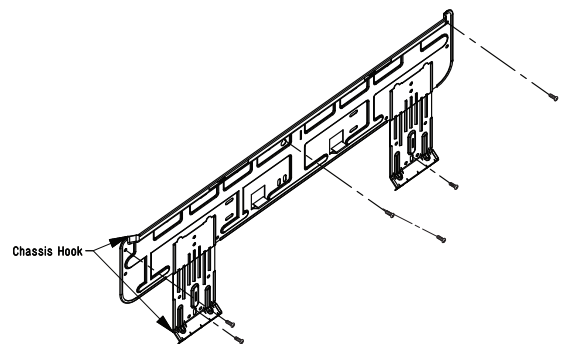


\* According to product type, model line up, sales region..etc, applicability of each chassis could be different.

**SV Chassis**



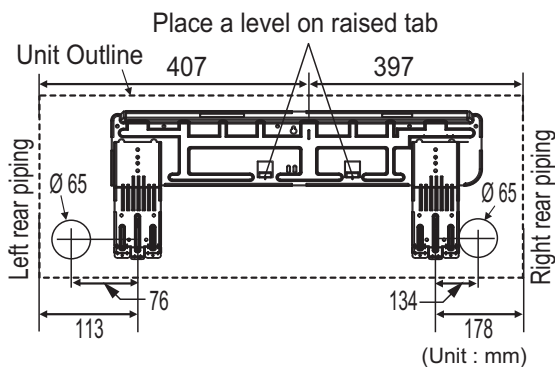
**SA Chassis**



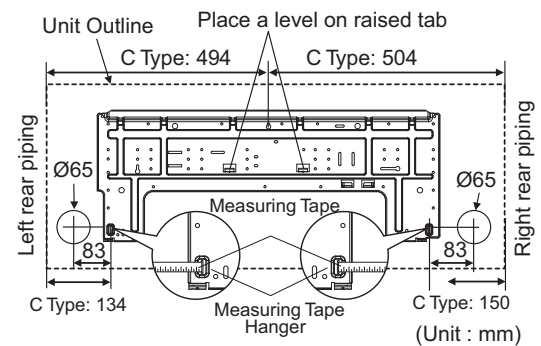
\* According to product type, model line up, sales region..etc, applicability of each chassis could be different.

### ■ The lower left and the right side piping of Installation Plate

**SJ chassis**



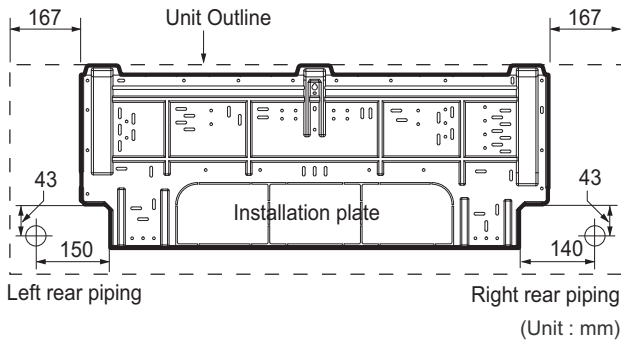
**SK chassis**



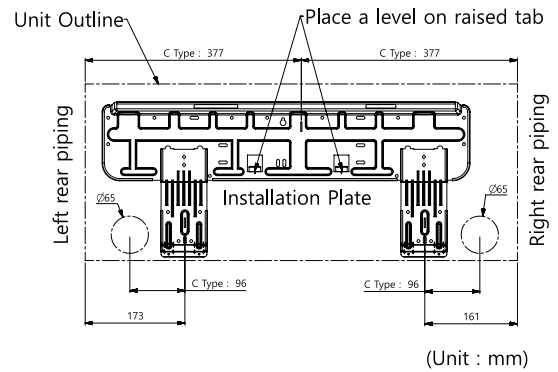
\* According to product type, model line up, sales region..etc, applicability of each chassis could be different.

## 8. Installation

**SV chassis**



**SA chassis**



\* According to product type, model line up, sales region..etc, applicability of each chassis could be different.

### **! CAUTION**

In case that the unit is installed near the sea, the installation parts may be corroded by salt. The installation parts (and the unit) should be taken appropriate anti-corrosion measures.

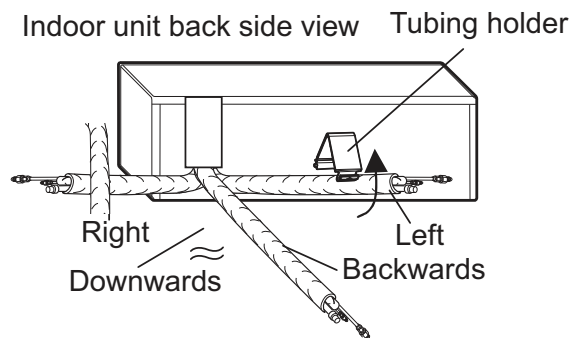
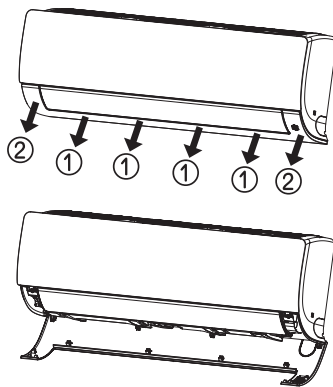
## 8. Installation

### 8.2 Connection of pipes and cables

#### 8.2.1 Preparing work for installation

##### ■ SJ/SK/SA chassis

1. Pull the cover at the bottom of the indoor unit. Pull the cover ①→②.
2. Remove the chassis cover from the unit.
3. Pull back the tubing holder.
4. Remove pipe port cover and positioning the tubing.



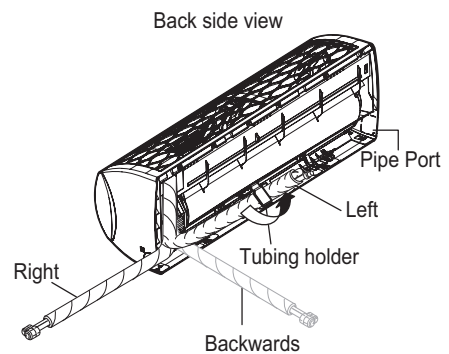
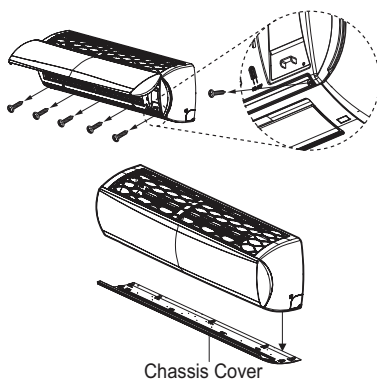
※ The feature can be changed according to type of model.

\* The feature can be changed according to type of model.

\* According to product type, model line up, sales region..etc, applicability of each chassis could be different.

##### ■ SV chassis

1. Open the panel of the indoor unit.
2. Remove the chassis cover from the unit by loosening 5 screws.
3. Pull back the tubing holder.
4. Remove pipe port cover and position the piping.

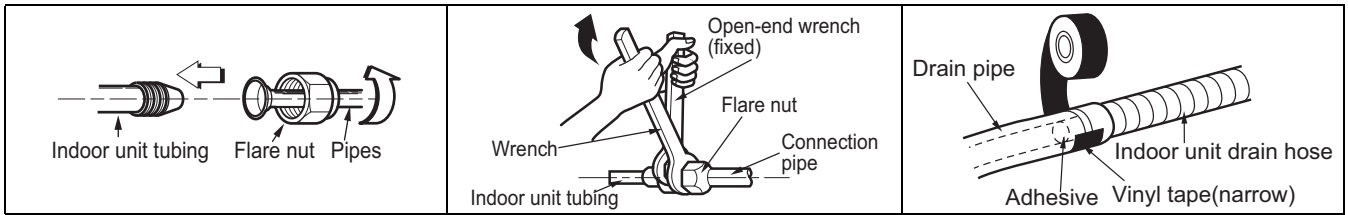


\* The feature can be changed according to type of model.

\* According to product type, model line up, sales region..etc, applicability of each chassis could be different.

## 8. Installation

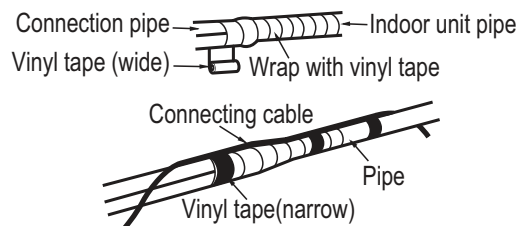
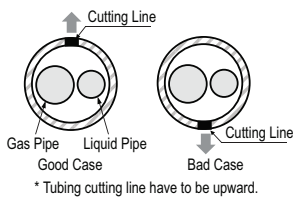
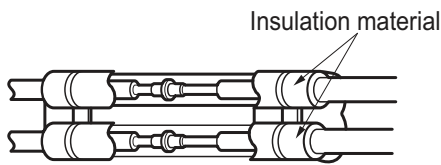
### ■ Connecting the installation pipe and drain hose



1. Align the center of the pipes and sufficiently tighten the flare nut by hand.
2. Tighten the flare nut with a wrench.
3. When needed to extend the drain hose of indoor unit, assembly the drain pipe as shown on the drawing.

### ■ Wrap the insulation material around the connecting portion.

1. Overlap the connection pipe insulation material and the indoor unit pipe insulation material. Bind them together with vinyl tape so that there may be no gap.
2. Set the tubing cutting line upward. Wrap the area which accommodates the rear piping housing section with vinyl tape.
3. Bundle the piping and drain hose together by wrapping them with vinyl tape sufficient enough to cover where they fit into the rear piping housing section. Be sure that the drain hose is located at the lowest side of the bundle. Locating at the upper side can cause overflow from the drain pan through the inside of the unit.



### ⚠ CAUTION

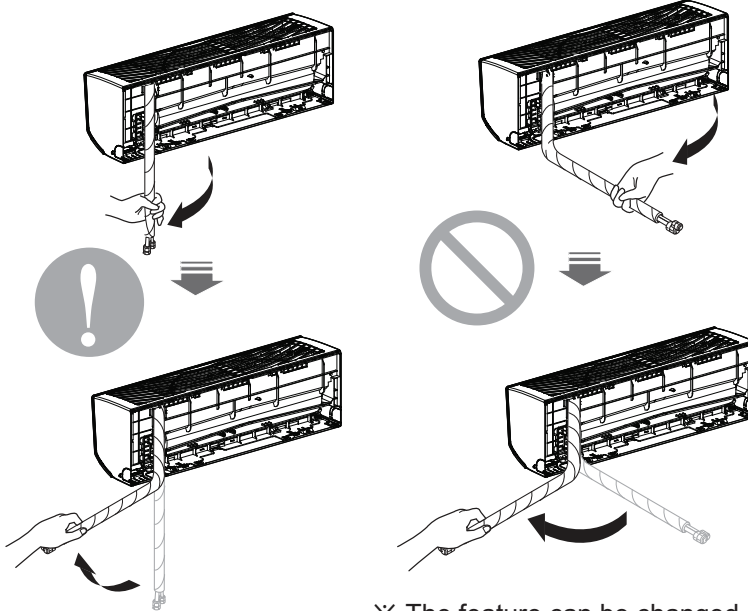
If the drain hose is routed inside the room insulate the hose with an insulation material\* so that dripping from sweating condensation) will not damage furniture or floors.

\* Foamed polyethylene or equivalent is recommended.

## 8. Installation

### ⚠ CAUTION

- Press on the tubing cover and unfold the tubing to downward slowly. And then bend to the left side slowly.
- Following bending case from right to left directly may cause damage to the tubing.



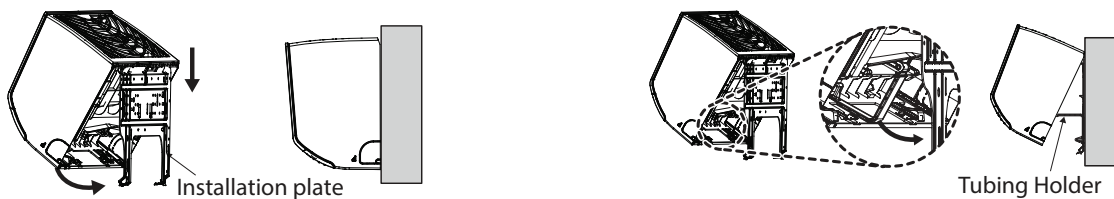
※ The feature can be changed according to type

- Installation Information. For right piping. Follow the instruction above.

### 8.2.2 Installation of Indoor Unit

#### ■ Seat the indoor unit on the installation plate

1. Hook the indoor unit onto the upper portion of the installation plate. (engage the three hooks at the top of the indoor unit with the upper edge of the installation plate) Ensure that the hooks are properly seated on the installation plate by moving it left and right
2. Unlock the tubing holder from the chassis and mount between the chassis and installation plate in order to separate the bottom side of the indoor unit from the wall.

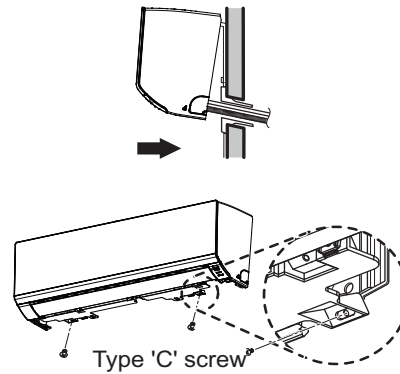


\* The feature can be changed according to type of model.

## 8. Installation

### 8.2.3 Finishing the indoor unit installation

1. Mount the tubing holder in the original position.
2. Ensure that the hooks are properly seated on the installation plate by moving it left and right.
3. Press the lower left and right sides of the unit against the installation plate until the hooks engage into their slots (clicking sound).
4. Finish the assembly by screwing the unit to the installation plate by using two pieces of type "C" screws. And assemble a chassis cover. (SJ/SK chassis) Recover the chassis cover in Original place. (SV chassis)



\* The feature can be changed according to type of model.

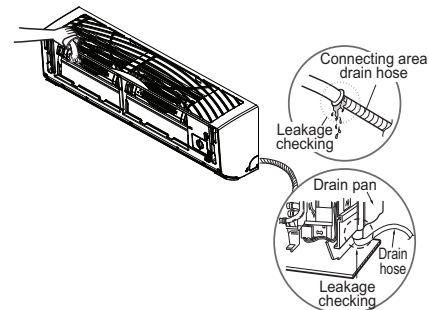
### ⚠ CAUTION

- The indoor unit can be dropped from the wall, the indoor unit is not screwed correct position on the install plate.
- To avoid the gap between the indoor unit and wall , screw the indoor unit to the install plate correctly.

### 8.2.4 Checking the Drainage

#### ◆ To check the drainage.

1. Pour a glass of water on the evaporator.
2. Ensure the water flows through the drain hose of the indoor unit without any leakage and goes out the drain exit.

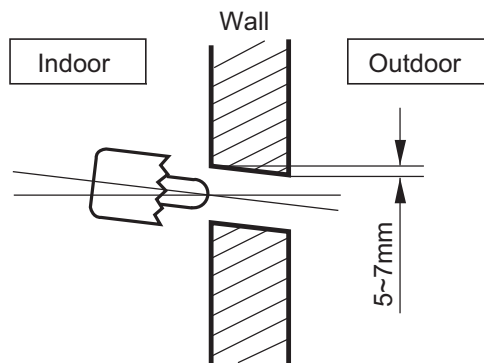


\* The feature can be changed according to type of model.

## 8. Installation

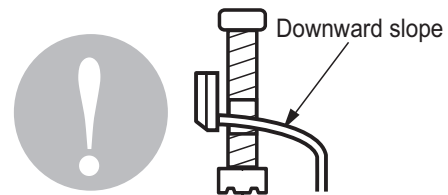
### ◆ Drill a Hole in the wall

1. Drill the piping hole with a  $\varnothing$  70mm hole core drill.  
Drill the piping hole at either the right or the left with the holes slightly slanted to the outdoor side.

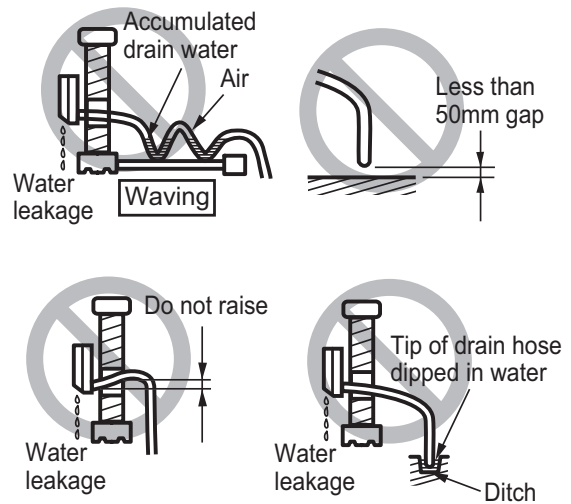


### ◆ Drain Piping

1. The drain hose should point downward for easy drain flow



2. Do not make drain piping like the following.



\* The feature can be changed according to type of model.



## 8. Installation

---

### 8.3 Wiring the cable to the indoor units

#### 8.3.1 General instructions

- All field supplied parts and materials, electric works must conform to local codes. Use copper wire only.
- Follow the "**WIRING DIAGRAM**" attached to the unit body to wire the outdoor unit, indoor units and the remote controller.
- All wiring must be performed by an authorized electrician.
- A circuit breaker capable of shutting down the power supply to the entire system must be installed.

#### CAUTION

After the confirmation of the above conditions, prepare the wiring as follows:

- Never fail to have separate power specially for the air conditioner.
- Provide a circuit breaker switch between power source and the unit.
- Confirm the Specification of power source.
- Confirm that electrical capacity is sufficient.
- Be sure that the starting voltage is maintained at more than 90 percent of the rated voltage marked on the name plate.
- Confirm that the cable thickness is as specified in the power sources specification.  
(Particularly note the relation between cable length and thickness.)
- Do not install the leakage breaker in a place which is wet or moist.  
Water or moist may cause short circuit.
- The following troubles would be caused by voltage drop-down.
  - » Vibration of a magnetic switch, damage on the contact point there of, fuse breaking, disturbance to the normal function of a overload protection device.
  - » Proper starting power is not given to the compressor.

#### 8.3.2 Wiring connection

- Connect the wires to the terminals on the control board individually according to the outdoor unit connection.
- Ensure that the color of the wires of outdoor unit and the terminal No. are the same as those of indoor unit respectively.
- In case of the system with multiple indoor units, mark each indoor unit as unit A, unit B, etc and be sure the terminal board wiring to the outdoor unit and indoor units are properly matched. If wiring and piping between the outdoor unit and an indoor unit are mismatched, the system may cause a malfunction.

#### 8.3.3 Clamping of cables

1. Arrange 2 power cables on the control panel.
2. First, fasten the steel clamp with a screw to the inner boss of control panel.
3. For connecting of communication (transmission) cable, put the cable(or thinner cable) on the clamp and tighten it with a plastic clamp to the other boss of the control panel. In case that communication (transmission) cable is not needed to connect, fix the other side of the clamp with a screw strongly.

## 8. Installation

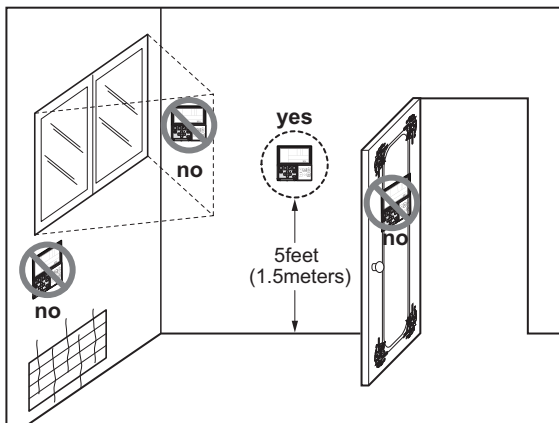
### ⚠ WARNING

- Make sure that the screws of the terminal are fixed tightly.
- The screw which fasten the wiring in the casing of electrical fittings are liable to come loose from vibrations to which the unit is subjected during the course of transportation. Check them and make sure that they are all tightly fastened. (If they are loose, it could give rise to burn-out of the wires.)
- Make sure to attach the sealing material or (field supplied) to hole of wiring to prevent the infiltration of foreign particle from outside. Otherwise a short-circuit may occur inside the electric parts box.
- When clamping the wires, be sure no pressure is applied to the wire connections by using the included clamping material to make appropriate clamps. Also, when wiring, make sure the cover on the electric parts box fits snugly by arranging the wires neatly and attaching the electric parts box cover firmly. When attaching the electric parts box cover, make sure no wires get caught in the edges. Pass wiring through the wiring through holes to prevent damage to them.
- Make sure the remote controller wiring, the wiring between the units, and other electrical wiring do not pass through the same locations outside of the unit, separating them properly, otherwise electrical noise (external static) could cause product malfunction.

### 8.3.4 Wired Remote Controller Installation (Optional)

Since the room temperature sensor is in the remote controller, the remote controller box should be installed in a place away from direct sunlight, high humidity and direct supply of cold air to maintain proper space temperature.

Install the remote controller about 5ft(1.5m) above the floor in an area with good air circulation at an average temperature.



#### • Do not install the remote controller where it can be affected by :

- Drafts, or dead spots behind doors and in corners.
- Hot or cold air from ducts.
- Radiant heat from sun or appliances.
- Concealed pipes and chimneys.
- Uncontrolled areas such as an outside wall behind the remote controller.
- This remote controller is equipped with a seven segment LED. display. For proper display of the remote controller LED's, the remote controller should be installed properly. (The standard height is 1.2~1.5 m from floor level.)

# **MULTI/SINGLE**

Indoor unit

## **Wall Mounted Unit (4)**

- 1.List of Functions**
- 2.Specifications**
- 3.Dimensions**
- 4.Piping Diagrams**
- 5.Wiring Diagrams**
- 6.Air flow and temperature distribution**
- 7.Sound Levels**
- 8.Installation**

# 1. List of functions

## ◆ List of function

Category	Functions	ZJNW30GRLA1 [US30F NR0] ZJNW36GRLA1 [US36F NR0]
Air Flow	Air Supply Outlet	1
	Airflow Direction Control (left & right)	Auto
	Airflow Direction Control (up & down)	Auto
	Auto Swing (left & right)	O
	Auto Swing (up & down)	O
	Airflow Steps (fan/cool/heat)	6 / 6 / 6
	Fan Speed Auto*	Advanced
	Power Cool/Heat	O / O
	Swirl Wind*	X
	Refresh Mode**	X
	Smart Mode**	X
	Indirect Wind*	O
	Direct Wind*	O
Dry Operation	O	
Air Purification	Air Purify	X
	Ionizer	O
	UV-C	X
	Pre-Filter	O
	PM1.0 Filter	X
Reliability	Hot Start	O
	Self Diagnosis	O
Convenience	Auto Mode	O
	Auto Dry Operation	O
	Auto Restart	O
	Child Lock*	O
	Forced Operation	O
	Group Control*	X
	Sleep Timer	O
	Turn On/Off Reservation	O
	Schedule*	O
	Two Thermistor Control*	O
External On/Off	X	
Installation	Drain Pump	X
	E.S.P. Control*	X
	High Ceiling Operation*	X
Special Functions	Wi-Fi	Embedded
	Auto Elevation Grille	X
	Human Detection Function**	X
	Floor Detection Function**	X

### Note

- O : Applied, X : Not Applied, - : Unconfirmed or irrelevant  
Embedded : A kit is provided by default for using this function when the product is manufactured.  
Accessory : Ordered and purchased separately the accessory package referring to the model name provided and install at field. Accessory line-ups varies by region, so check your local catalogue or local sales material.
- Some functions can be limited by remote controller.
- In case of cassette type indoor units, Air Purification Kit and Auto Elevation Grille functions are not applicable at the same time.
- 'Auto Mode' varies depending on the outdoor unit type.  
- Auto Change Over(Single Heat Pump Outdoor Unit)  
- Auto Mode Select(Multi Heat Pump Outdoor Unit)  
- Auto Intensity Control(Cooling Only Outdoor Unit)
- \* : These functions need to connect the wired remote controller.
- \*\* : This functions need to connect to the Standard III wired remote controller.

# 1. List of functions

## ◆ Accessory Compatibility List

Category		Product	Remark	ZJNW30GRLA1 [US30F NR0] ZJNW36GRLA1 [US36F NR0]
Wireless Remote Controller		PQWRHQ0FDB	Heat Pump	O (Embedded)
		PWLSSB21H	Heat Pump	O
Wired Remote Controller	Simple	PQRCVCL0Q(W)	Simple	O
		PQRCHCA0Q(W)	for Hotel	O
	Standard	PREMTB001	Standard II (White)	O
		PREMTBB01	Standard II (Black)	O
		PREMTB100	Standard III (White)	O
		PREMTBB10	Standard III (Black)	O
Premium	PREMTA000(A/B)	Premium	O	
Dry contact	Simple Contact	PDRYCB000	Simple Dry Contact	O
	Communication type	PDRYCB400	2 Points Dry Contact (For Setback)	O
		PDRYCB300	For 3rd Party Thermostat	O
		PDRYCB320	For 3rd Party Thermostat (Analog Input)	O
		PDRYCB500	For Modbus	O
Gateway	IDU PI485	PHNFP14A0	Without case	X
		PSNFP14A0	With case	X
ETC	Remote temperature sensor	PQRSTA0	-	X
	Zone controller	ABZCA	-	X
	CO <sub>2</sub> Sensor	PES-C0RV0	For ERV, ERV DX Indoor units	X
	Group control wire	PZCWRCG3	0.25m	X
	2-Remo Control Wire	PZCWRC2	0.25m	X
	Extension Wire	PZCWRC1	10m	O
	Wi-Fi Controller*	PWFMDD200	-	O (Embedded)
	Human detecting sensor	PTVSA00	-	X

### Note

1. O: Possible, X: Impossible, -: Not applicable, Embedded: Included with product.
2. \*: Some advanced functions controlled by individual controller cannot be operated.
3. If there is a difference in development time between the product and the remote controller, some functions cannot be operated.
4. Selecting a wireless remote controller in case of ducted type indoor units requires either a connection to the wired remote controller (Standard II) or an IR receiver accessory to be connected to the duct in order to receive the signal.
5. If you need more detail, please refer to the **BECON** PDB or the manual of product. (<http://partner.lge.com/global> : Home> Doc.Library> Product > Control(BECON))

## 2. Specifications

Model Name				ZJNW30GRLA1 [US30F NR0]	ZJNW36GRLA1 [US36F NR0]
Power Supply			V, Ø, Hz	220-240, 1, 50	220-240, 1, 50
				220, 1, 60	220, 1, 60
Capacity(Nominal)	Cooling			8.0	9.5
	Heating			9.0	10.8
Power Input		H / M / L	W	47 / 42 / 36	65 / 47 / 42
Running Current		H / M / L	A	0.32 / 0.28 / 0.25	0.43 / 0.32 / 0.28
		Max.	A	0.90	0.90
Casing Color(RAL)			-	Magic White(9016)	Magic White(9016)
Dimensions	Body	W x H x D	mm	1,200 x 360 x 265	1,200 x 360 x 265
		W x H x D	inch	47-1/4 x 14-3/16 x 10-7/16	47-1/4 x 14-3/16 x 10-7/16
	Shipping	W x H x D	mm	1,280 x 360 x 455	1,280 x 360 x 455
		W x H x D	inch	50-13/32 x 14-3/16 x 17-29/32	50-13/32 x 14-3/16 x 17-29/32
Weight	Body		kg (lbs)	18.3	18.3
	Shipping		kg (lbs)	22.9	22.9
Heat Exchanger	(Row x Column x Fins per inch) x No.		-	(3 x 18 x 21) x 1	(3 x 18 x 21) x 1
	Face Area		m <sup>2</sup> (ft <sup>2</sup> )	0.35	0.35
Fan	Type		-	Cross Flow Fan	Cross Flow Fan
	Air Flow Rate	H / M / L	m <sup>3</sup> /min	21.0 / 17.0 / 13.0	25.0 / 21.0 / 17.0
		H / M / L	ft <sup>3</sup> /min	742 / 600 / 459	883 / 742 / 600
Fan Motor	Type		-	BLDC	BLDC
	Output		W x No.	113 x 1	113 x 1
Sound Pressure Level	Cooling	H / M / L	dB(A)	46 / 42 / 38	51 / 46 / 42
	Heating	H / M / L	dB(A)	46 / 42 / 38	51 / 46 / 42
Sound Power Level	Cooling	Rated	dB(A)	62	65
	Heating	Rated	dB(A)	-	-
Piping Connections	Liquid		mm(inch)	Φ9.52 (3/8)	Φ9.52 (3/8)
	Gas		mm(inch)	Φ15.88 (5/8)	Φ15.88 (5/8)
	Drain	O.D. / I.D.	mm	Φ 16.5 / 14.5	Φ 16.5 / 14.5
Safety Devices			-	Fuse	Fuse
			-	Thermal Protector for Fan Motor	Thermal Protector for Fan Motor
Connections Method			-	Flared	Flared
Power and Communication Cable (included Earth)			No. x mm <sup>2</sup> (AWG)	4C x 0.75 (18)	4C x 0.75 (18)

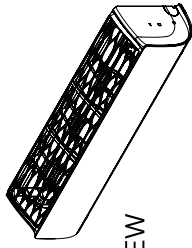
### Note

- Due to our policy of innovation some specifications may be changed without notification.
- Wiring cable size must comply with the applicable local and national code. And "Electric characteristics" chapter should be considered for electrical work and design. Especially the power cable and circuit breaker should be selected in accordance with that.
- Sound Level Values are measured at Noise Measuring chamber accordance with standard. Therefore, these values depend on the ambient conditions and values are normally higher in actual operation(Sound Pressure : LG Internal standard, Sound Power : EN 12102 (ISO 3741).
- Capacities are net capacities and based on the following conditions. Refer to the Outdoor Unit Specifications for calculating the real capacity.
  - Cooling : Indoor Ambient Temp. 27°CDB / 19°CWB, Outdoor Ambient Temp. 35°CDB / 24°CWB
  - Heating : Indoor Ambient Temp. 20°CDB / 15°CWB, Outdoor Ambient Temp. 7°CDB / 6°CWB
  - Interconnected Pipe is standard length and difference of Elevation (Outdoor ~ Indoor Unit) is 0m.

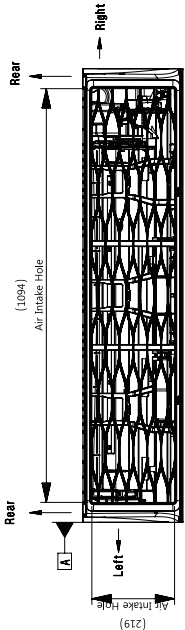
# 3. Dimensions

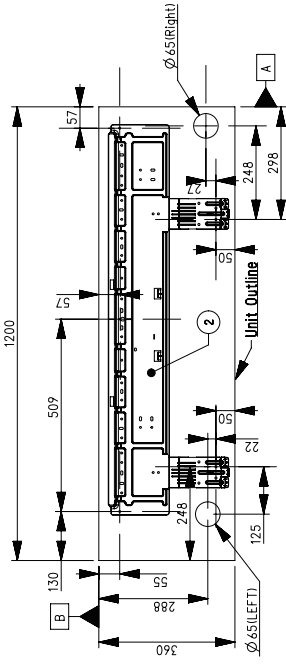
## ■ ZJNW30GRLA1 [US30F NR0], ZJNW36GRLA1 [US36F NR0]

[Unit: mm]  
Chassis code : SR  
P/No. : TBJ37614504\_rev.01

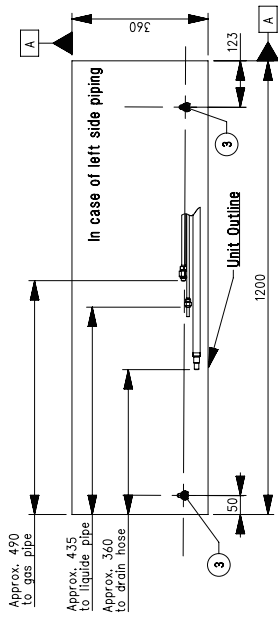


**3D VIEW**

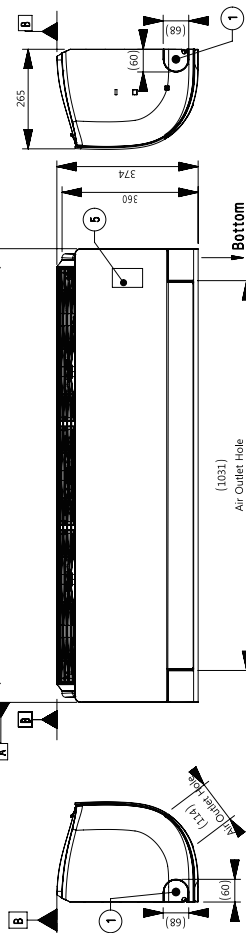


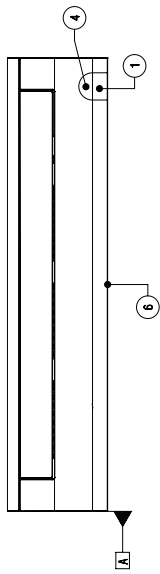


**Fixing the installation plate, drilling hole**



**Connecting gas/liquid pipe, drain hose**





**Note**

1. Unit should be installed in compliance with the installation manual in the product box.
2. Unit should be grounded in accordance with the local regulations or applicable national codes.
3. All electrical components and materials to be supplied from the site must comply with the local regulations or international codes.
4. Electric characteristics chapter should be considered for electrical work and design. Especially the power cable and circuit breaker should be selected in accordance with that.

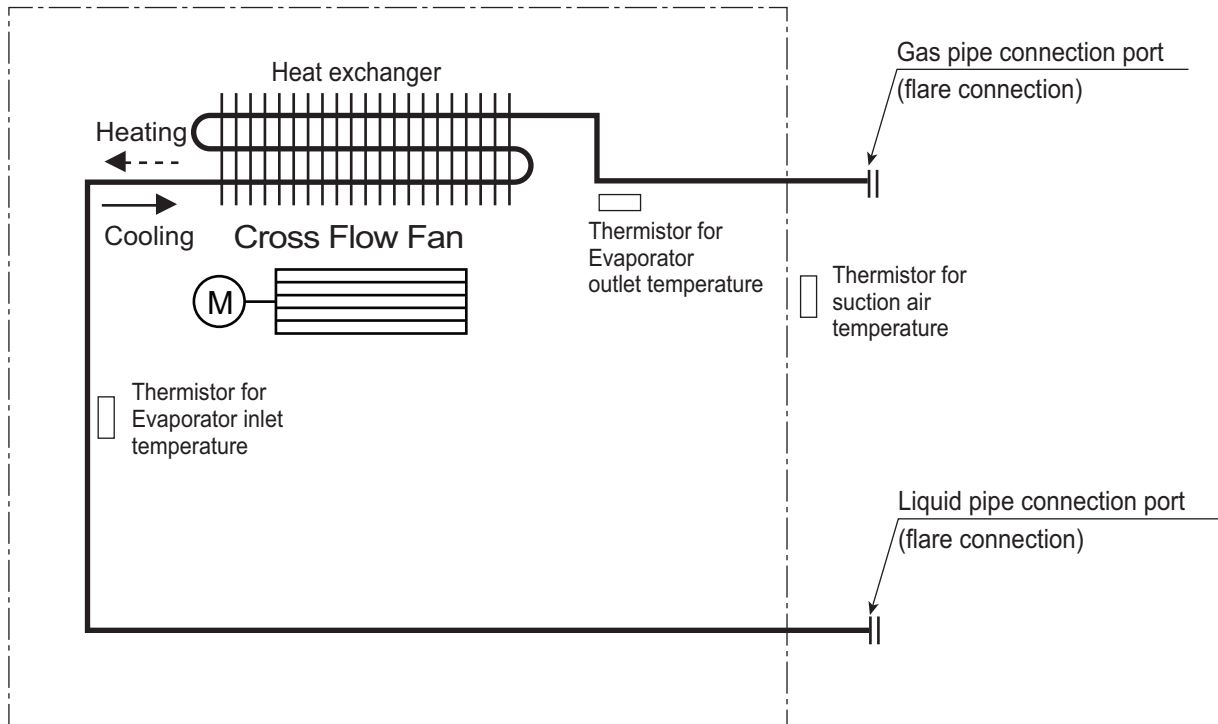
**Symbols**

- Piping Direction
- Datum line

No.	Part Name	Description
6	Decoration Cover	-
5	Display & Remote Controller Signal Receiver	-
4	Terminal Block for Power Supply and Communication	-
3	Drain hose connection	-
2	Installation Plate	-
1	Refrigerant/Drain pipe and cable routing hole	Knock-out type

# 4. Piping Diagrams

## ■ ZJNW30GRLA1 [US30F NR0] / ZJNW36GRLA1 [US36F NR0]

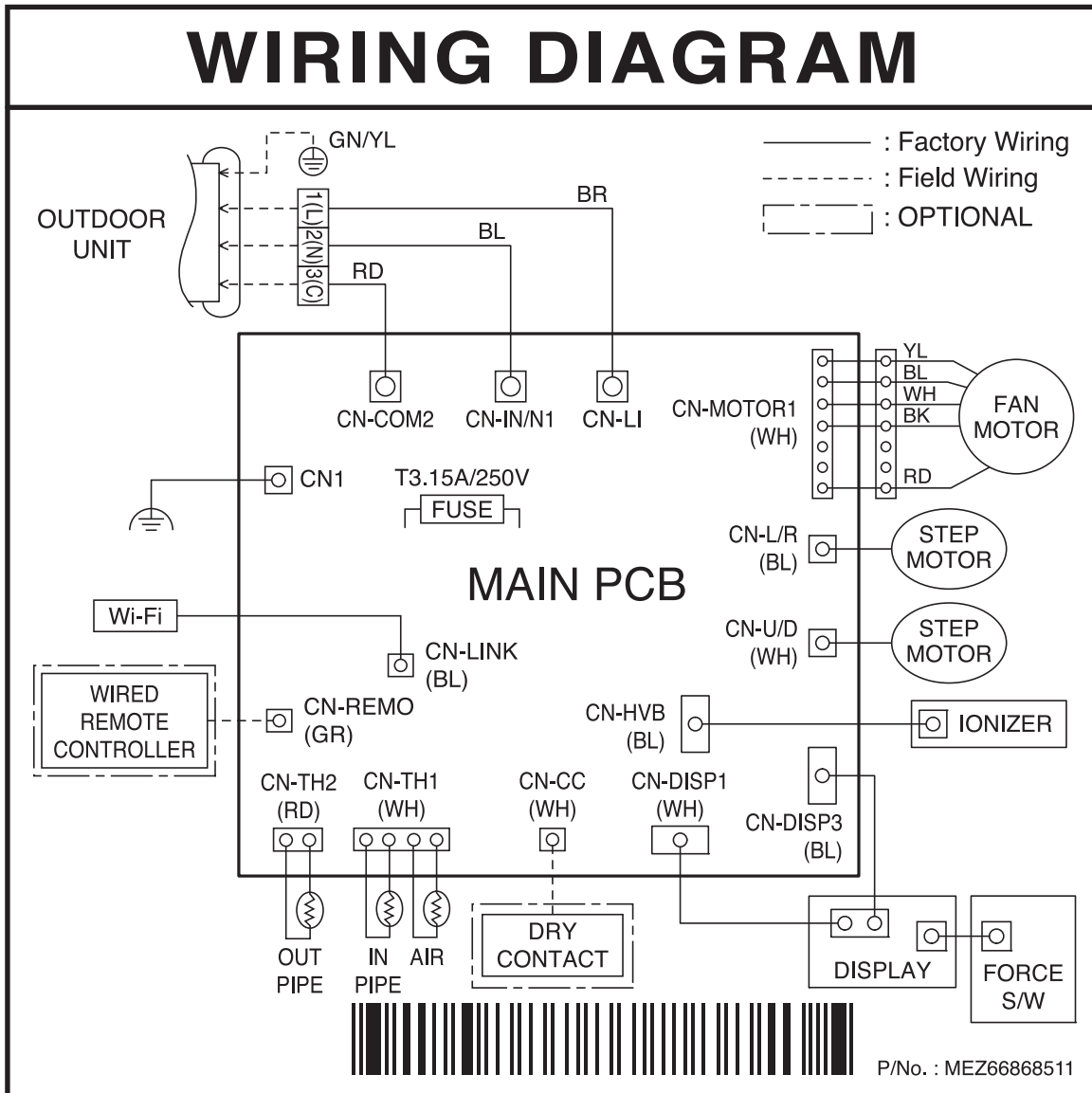


Description	PCB Connector
Thermistor for suction air temperature	CN-TH1
Thermistor for evaporator inlet temperature	
Thermistor for evaporator outlet temperature	CN-TH2



# 5. Wiring Diagrams

## ■ ZJNW30GRLA1 [US30F NR0], ZJNW36GRLA1 [US36F NR0]

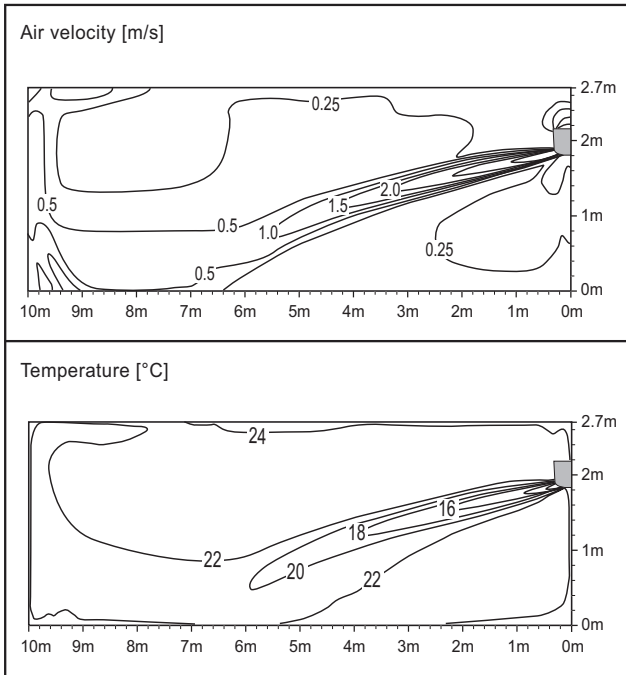


## 6. Air flow and temperature distributions (reference data)

### ZJNW30GRLA1 [US30F NR0]

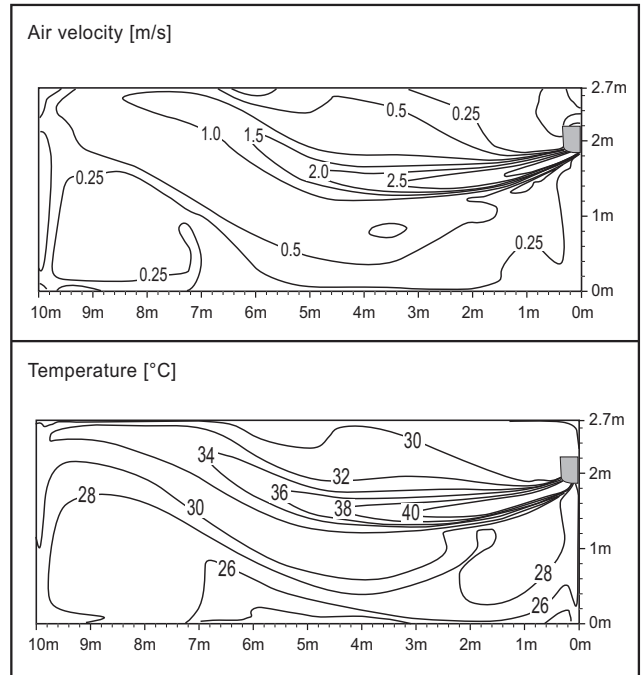
#### Cooling

Discharge angle: 22°



#### Heating

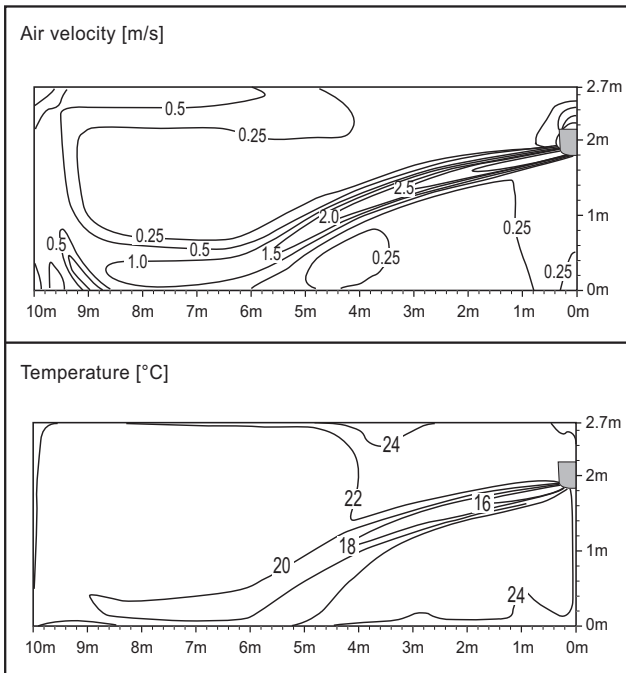
Discharge angle: 42°



### ZJNW36GRLA1 [US36F NR0]

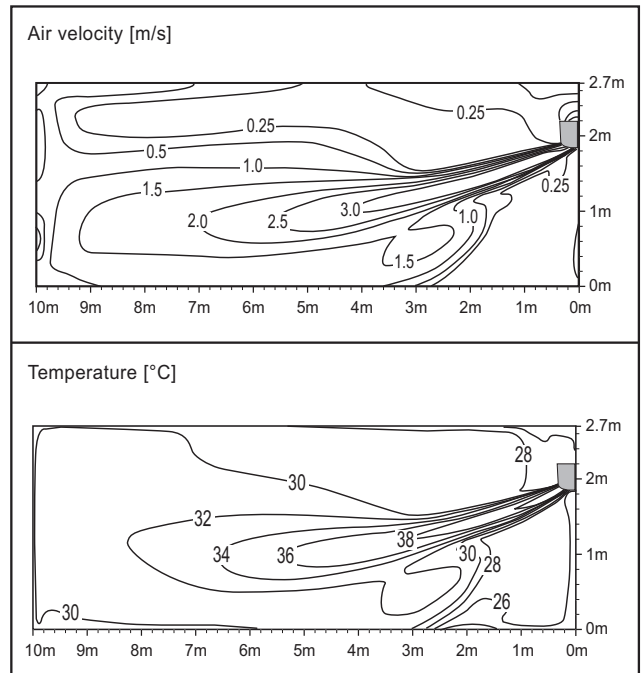
#### Cooling

Discharge angle: 22°



#### Heating

Discharge angle: 44°



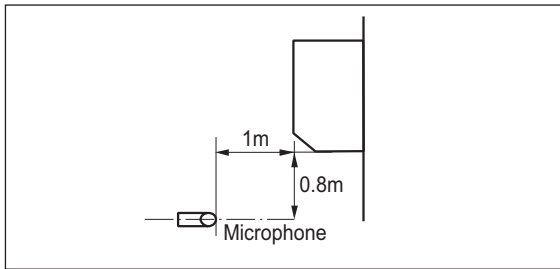
**Note**

- These figures are accordance with normal certain condition and environment. (Airflow step is 'High', Air discharge angle is fixed as indicated angle.)
- Indoor airflow distribution under actual installation or operating conditions depends on ambient temperature, ceiling height, product installation direction / location, indoor / Heating load, and other obstacles, etc.

# 7. Sound levels

## 7.1 Sound pressure level

### Overall

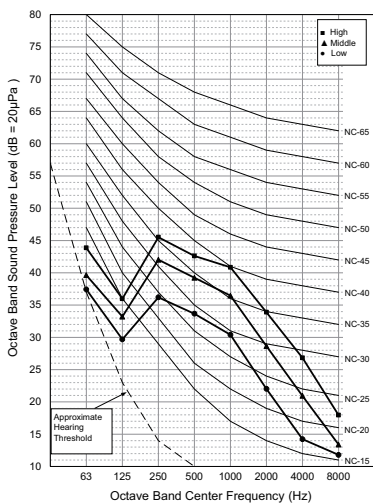


**Note**

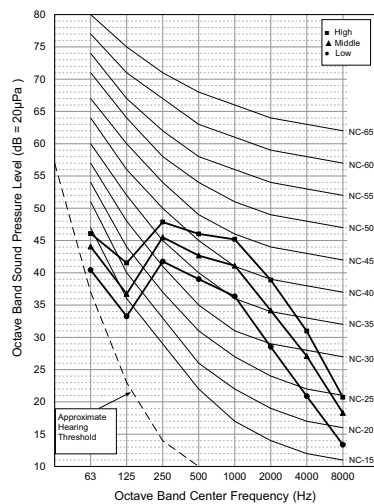
- 1.Sound measured at some distance away from the center of the unit.
- 2.Data is valid at free field condition.
- 3.Reference acoustic pressure 0dB = 20μPa.
- 4.Data is valid at nominal operation condition.  
Refer to the Model Specifications for nominal conditions(Power source and Ambient temperature, etc)
- 5.Sound levels can be increased in accordance with installation and operating conditions. (Static pressure mode, used air guide, Room target temperature setting, etc)
- 6.Sound level will vary depending on a range of factors such as the construction(acoustic absorption coefficient) of particular room in which the equipment is installed.
- 7.Sound pressure level is measured on the rated condition in the anechoic rooms. (LG Internal Standard)  
Therefore, these values can be increased owing to ambient conditions during operation.

Model	50Hz, 220-240V		
	Sound pressure Levels [dB(A)]		
	H	M	L
ZJNW30GRLA1 [US30F NR0]	46	42	38
ZJNW36GRLA1 [US36F NR0]	51	46	42

**ZJNW30GRLA1 [US30F NR0]**



**ZJNW36GRLA1 [US36F NR0]**



# 7. Sound levels

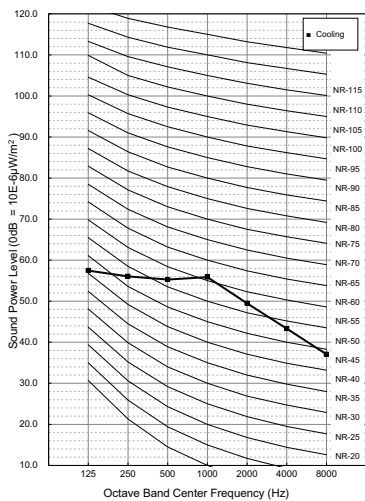
## 7.2 Sound power level

### Note

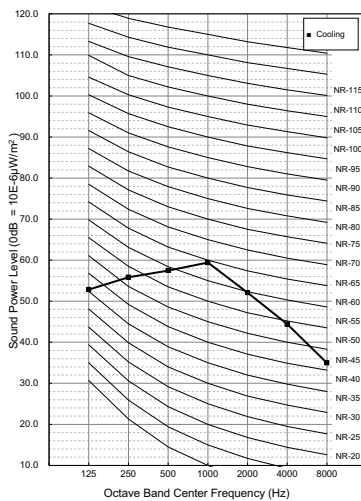
1. Data is valid at diffuse field condition.
2. Data is valid at nominal operation condition.  
Refer to the Model Specifications for nominal conditions(Power source and Ambient temperature, etc)
3. Sound level can be increased in static pressure mode or used air guide.
4. Sound level will vary depending on a range of factors such as the construction (acoustic absorption coefficient).
5. Reference acoustic intensity 0dB =  $10E-6\mu W/m^2$
6. Sound power level is measured on the rated condition in the reverberation rooms by ISO 3741 standard.  
Therefore, these values can be increased owing to ambient conditions during operation.

Model	Sound power Levels [dB(A)]
ZJNW30GRLA1 [US30F NR0]	62
ZJNW36GRLA1 [US36F NR0]	65

ZJNW30GRLA1 [US30F NR0]



ZJNW36GRLA1 [US36F NR0]

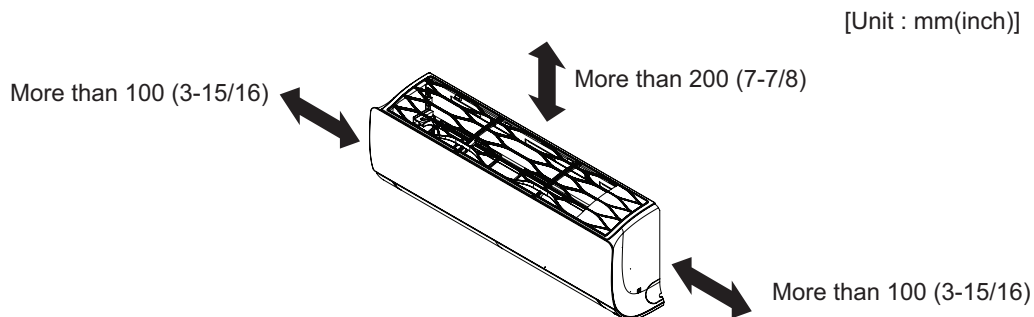


## 8. Installation

- Please read the instruction sheets completely before installing the product.
- When the power cord is damaged, replacement work shall be performed by authorized personnel only.
- Installation work must be performed in accordance with the national wiring standards.
- Teach the customer the operation and maintenance procedures, using the operation manual. (air filter cleaning, temperature control, etc.)

### 8.1 Selection of the best location

- The unit must be installed indoor area.
- Do not install the unit near the door.
- There should not be any obstacles to the air circulation or installation. Ensure the spaces from the wall, ceiling, or other obstacles.
- The place where the indoor unit can be connected with outdoor unit easily.
- The place where the unit is leveled.
- The place shall allow easy water drainage.
- The place where bear a load exceeding four times of the indoor unit weight.
- The mounting ceiling or wall should be solid enough to protect it from the vibration.
- The place where the unit is not affected by an electrical noise.
- The place where noise prevention is taken into consideration.
- The place where the maintenance space for product is sufficient.
- There should not be any heat source or steam near the unit.

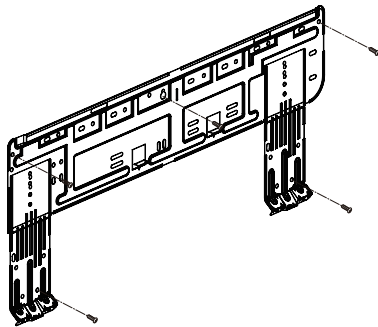


## 8. Installation

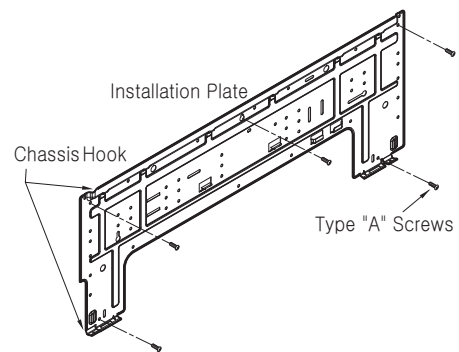
### ■ Fixing Installation Plate

- The wall you select should be strong and solid enough to prevent vibration.
  1. Mount the installation plate on the wall with type "A" screws which are provided with product. (Refer to the Installation manual.) If mounting the unit on a concrete wall, use anchor bolts.
    - Mount the installation plate horizontally by aligning the centerline using Horizontal meter.
  2. Measure the wall and mark the centerline. It is also important to use caution concerning the location of the installation plate. Routing of the wiring to power outlets is through the walls typically. Drilling the hole through the wall for piping connections must be done safely.

**SJ Chassis**

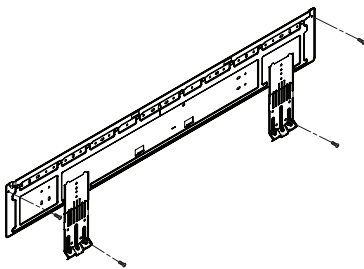


**SK Chassis**

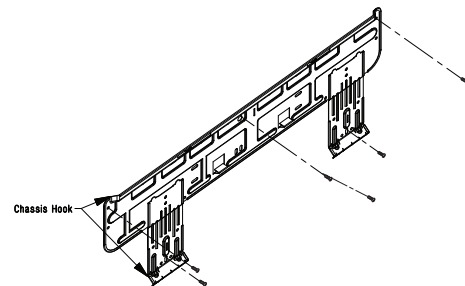


\* According to product type, model line up, sales region..etc, applicability of each chassis could be different.

**SR Chassis**



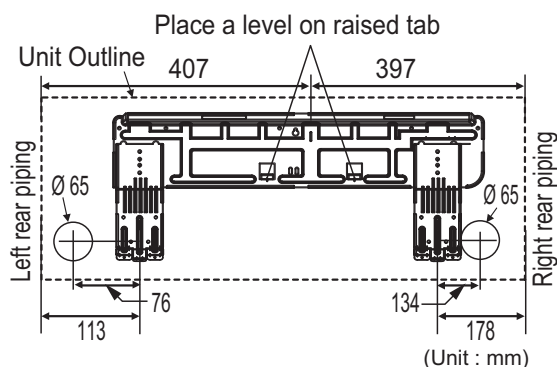
**SA Chassis**



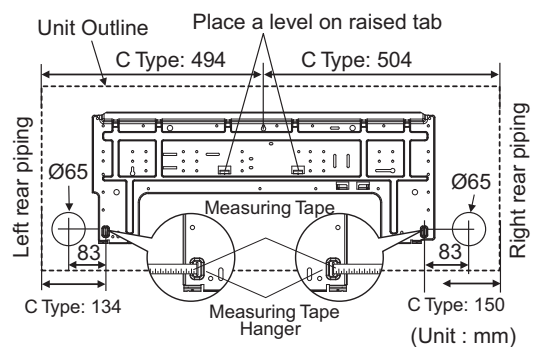
\* According to product type, model line up, sales region..etc, applicability of each chassis could be different.

### ■ The lower left and the right side piping of Installation Plate

**SJ chassis**



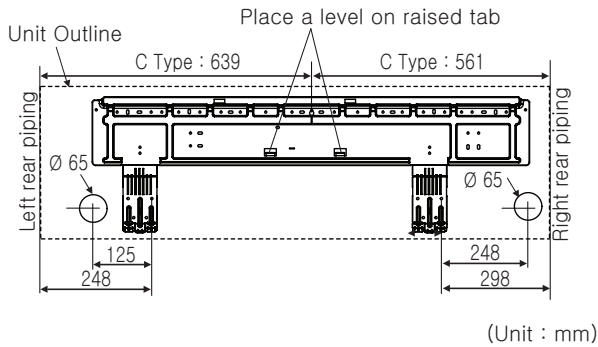
**SK chassis**



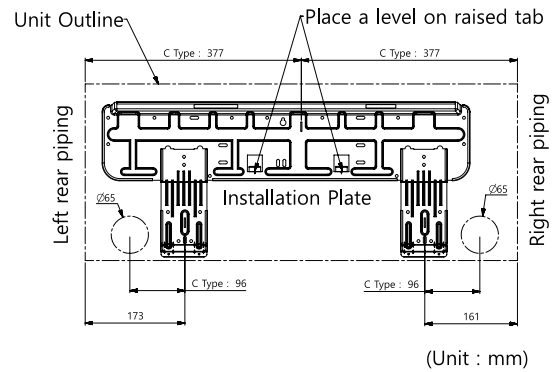
\* According to product type, model line up, sales region..etc, applicability of each chassis could be different.

## 8. Installation

**SR chassis**



**SA chassis**



\* According to product type, model line up, sales region..etc, applicability of each chassis could be different.

### **! CAUTION**

In case that the unit is installed near the sea, the installation parts may be corroded by salt. The installation parts (and the unit) should be taken appropriate anti-corrosion measures.

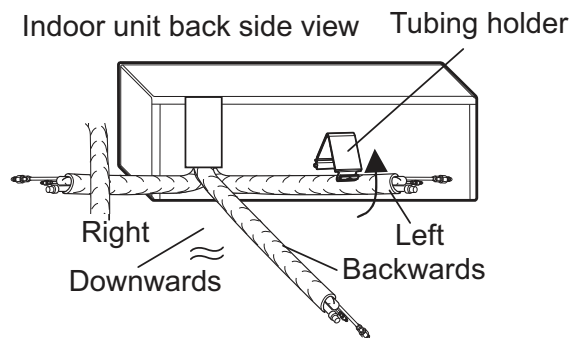
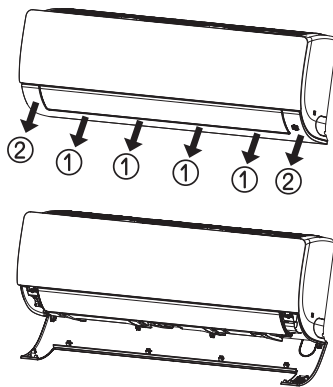
## 8. Installation

### 8.2 Connection of pipes and cables

#### 8.2.1 Preparing work for installation

##### ■ SJ/SK/SR/SA chassis

1. Pull the cover at the bottom of the indoor unit. Pull the cover ①→②.
2. Remove the chassis cover from the unit.
3. Pull back the tubing holder.
4. Remove pipe port cover and positioning the tubing.

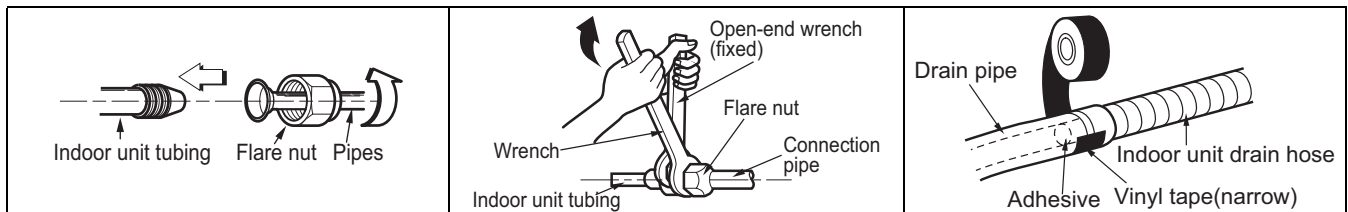


※ The feature can be changed according to type of model.

\* The feature can be changed according to type of model.

\* According to product type, model line up, sales region..etc, applicability of each chassis could be different.

##### ■ Connecting the installation pipe and drain hose



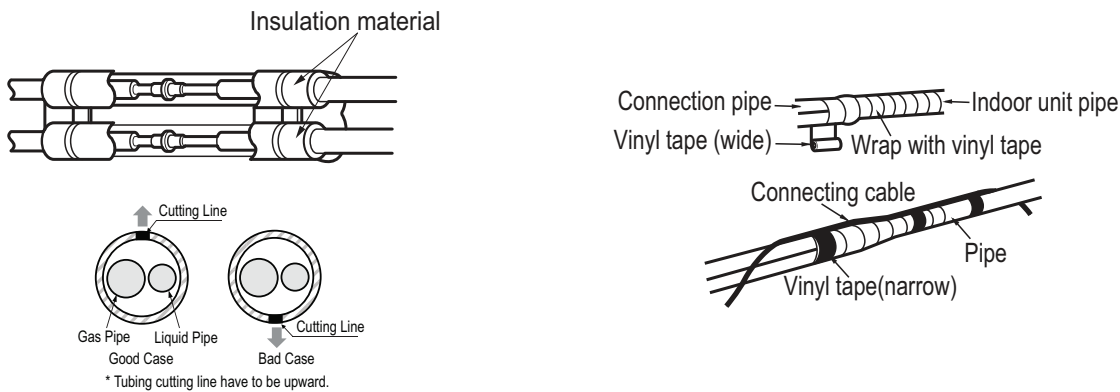
1. Align the center of the pipes and sufficiently tighten the flare nut by hand.
2. Tighten the flare nut with a wrench.
3. When needed to extend the drain hose of indoor unit, assembly the drain pipe as shown on the drawing.

##### ■ Wrap the insulation material around the connecting portion.

1. Overlap the connection pipe insulation material and the indoor unit pipe insulation material. Bind them together with vinyl tape so that there may be no gap.
2. Set the tubing cutting line upward. Wrap the area which accommodates the rear piping housing section with vinyl tape.
3. Bundle the piping and drain hose together by wrapping them with vinyl tape sufficient enough to cover where they fit into the rear piping housing section. Be sure that the drain hose is located at the lowest side of the bundle. Locating at the upper side can cause overflow from the drain pan through the inside of the unit.



## 8. Installation



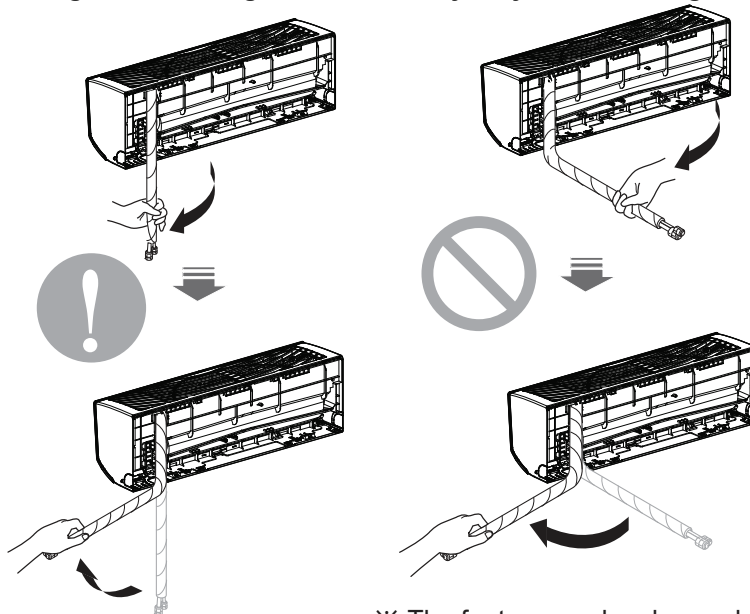
### ⚠ CAUTION

If the drain hose is routed inside the room insulate the hose with an insulation material\* so that dripping from sweating condensation) will not damage furniture or floors.

\* Foamed polyethylene or equivalent is recommended.

### ⚠ CAUTION

- Press on the tubing cover and unfold the tubing to downward slowly. And then bend to the left side slowly.
- Following bending case from right to left directly may cause damage to the tubing.



※ The feature can be changed according to type

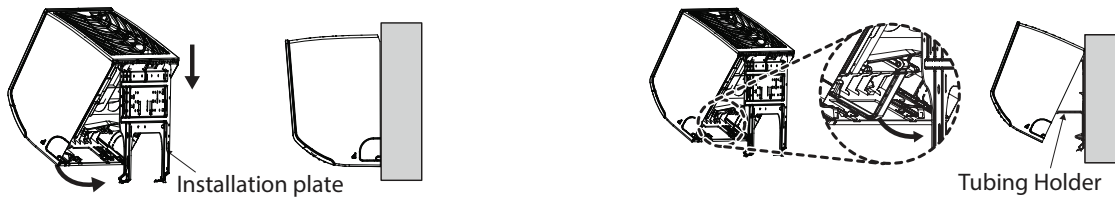
- Installation Information. For right piping. Follow the instruction above.

### 8.2.2 Installation of Indoor Unit

#### ■ Seat the indoor unit on the installation plate

1. Hook the indoor unit onto the upper portion of the installation plate.(engage the three hooks at the top of the indoor unit with the upper edge of the installation plate) Ensure that the hooks are properly seated on the installation plate by moving it left and right
2. Unlock the tubing holder from the chassis and mount between the chassis and installation plate in order to separate the bottom side of the indoor unit from the wall.

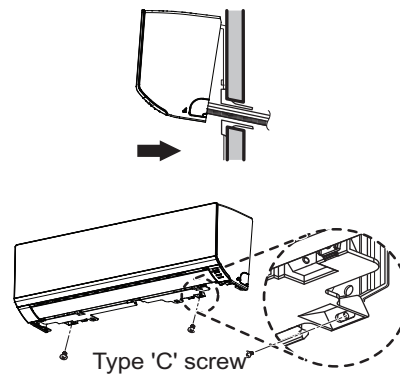
## 8. Installation



\* The feature can be changed according to type of model.

### 8.2.3 Finishing the indoor unit installation

1. Mount the tubing holder in the original position.
2. Ensure that the hooks are properly seated on the installation plate by moving it left and right.
3. Press the lower left and right sides of the unit against the installation plate until the hooks engage into their slots (clicking sound).
4. Finish the assembly by screwing the unit to the installation plate by using two pieces of type "C" screws. And assemble a chassis cover. (SJ/SK chassis) Recover the chassis cover in Original place. (SV chassis)



\* The feature can be changed according to type of model.

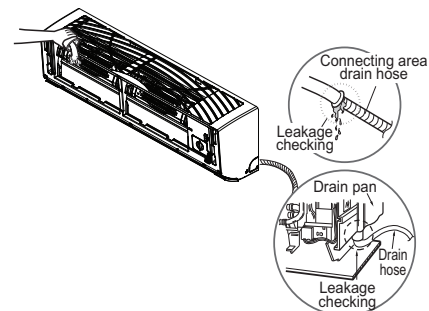
### **CAUTION**

- The indoor unit can be dropped from the wall, the indoor unit is not screwed correct position on the install plate.
- To avoid the gap between the indoor unit and wall , screw the indoor unit to the install plate correctly.

### 8.2.4 Checking the Drainage

#### ◆ To check the drainage.

1. Pour a glass of water on the evaporator.
2. Ensure the water flows through the drain hose of the indoor unit without any leakage and goes out the drain exit.

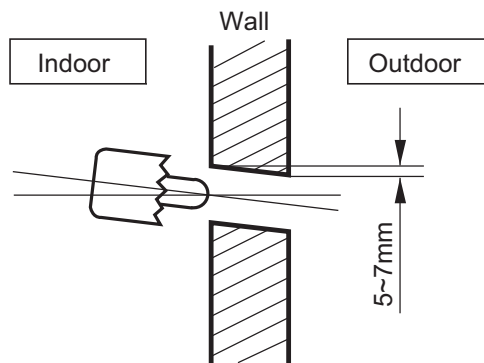


\* The feature can be changed according to type of model.

## 8. Installation

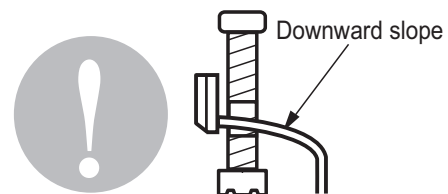
### ◆ Drill a Hole in the wall

1. Drill the piping hole with a  $\varnothing$  70mm hole core drill.  
Drill the piping hole at either the right or the left with the holes slightly slanted to the outdoor side.

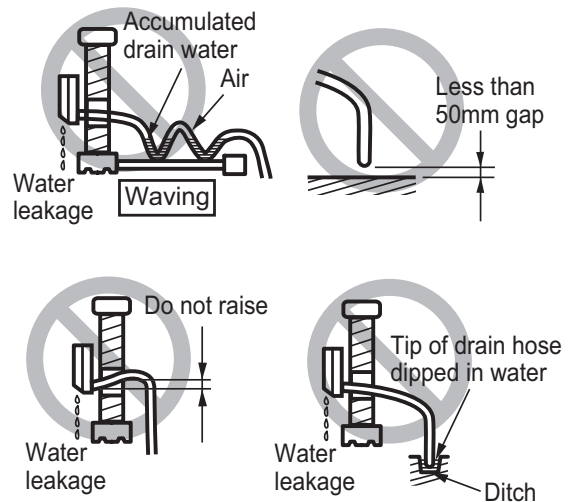


### ◆ Drain Piping

1. The drain hose should point downward for easy drain flow



2. Do not make drain piping like the following.



\* The feature can be changed according to type of model.

## 8. Installation

---

### 8.3 Wiring the cable to the indoor units

#### 8.3.1 General instructions

- All field supplied parts and materials, electric works must conform to local codes. Use copper wire only.
  - Follow the "**WIRING DIAGRAM**" attached to the unit body to wire the outdoor unit, indoor units and the remote controller.
  - All wiring must be performed by an authorized electrician.
  - A circuit breaker capable of shutting down the power supply to the entire system must be installed.
- 

#### CAUTION

After the confirmation of the above conditions, prepare the wiring as follows:

- Never fail to have separate power specially for the air conditioner.
  - Provide a circuit breaker switch between power source and the unit.
  - Confirm the Specification of power source.
  - Confirm that electrical capacity is sufficient.
  - Be sure that the starting voltage is maintained at more than 90 percent of the rated voltage marked on the name plate.
  - Confirm that the cable thickness is as specified in the power sources specification.  
(Particularly note the relation between cable length and thickness.)
  - Do not install the leakage breaker in a place which is wet or moist.  
Water or moist may cause short circuit.
  - The following troubles would be caused by voltage drop-down.
    - » Vibration of a magnetic switch, damage on the contact point there of, fuse breaking, disturbance to the normal function of a overload protection device.
    - » Proper starting power is not given to the compressor.
- 

#### 8.3.2 Wiring connection

- Connect the wires to the terminals on the control board individually according to the outdoor unit connection.
- Ensure that the color of the wires of outdoor unit and the terminal No. are the same as those of indoor unit respectively.
- In case of the system with multiple indoor units, mark each indoor unit as unit A, unit B, etc and be sure the terminal board wiring to the outdoor unit and indoor units are properly matched. If wiring and piping between the outdoor unit and an indoor unit are mismatched, the system may cause a malfunction.

#### 8.3.3 Clamping of cables

1. Arrange 2 power cables on the control panel.
2. First, fasten the steel clamp with a screw to the inner boss of control panel.
3. For connecting of communication (transmission) cable, put the cable(or thinner cable) on the clamp and tighten it with a plastic clamp to the other boss of the control panel. In case that communication (transmission) cable is not needed to connect, fix the other side of the clamp with a screw strongly.

## 8. Installation

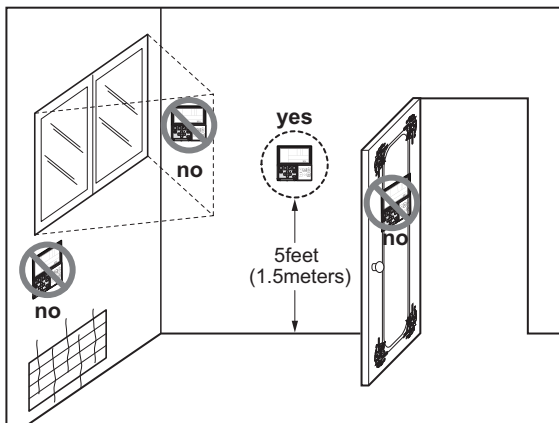
### ⚠ WARNING

- Make sure that the screws of the terminal are fixed tightly.
- The screw which fasten the wiring in the casing of electrical fittings are liable to come loose from vibrations to which the unit is subjected during the course of transportation. Check them and make sure that they are all tightly fastened. (If they are loose, it could give rise to burn-out of the wires.)
- Make sure to attach the sealing material or (field supplied) to hole of wiring to prevent the infiltration of foreign particle from outside. Otherwise a short-circuit may occur inside the electric parts box.
- When clamping the wires, be sure no pressure is applied to the wire connections by using the included clamping material to make appropriate clamps. Also, when wiring, make sure the cover on the electric parts box fits snugly by arranging the wires neatly and attaching the electric parts box cover firmly. When attaching the electric parts box cover, make sure no wires get caught in the edges. Pass wiring through the wiring through holes to prevent damage to them.
- Make sure the remote controller wiring, the wiring between the units, and other electrical wiring do not pass through the same locations outside of the unit, separating them properly, otherwise electrical noise (external static) could cause product malfunction.

### 8.3.4 Wired Remote Controller Installation (Optional)

Since the room temperature sensor is in the remote controller, the remote controller box should be installed in a place away from direct sunlight, high humidity and direct supply of cold air to maintain proper space temperature.

Install the remote controller about 5ft(1.5m) above the floor in an area with good air circulation at an average temperature.



#### • Do not install the remote controller where it can be affected by :

- Drafts, or dead spots behind doors and in corners.
- Hot or cold air from ducts.
- Radiant heat from sun or appliances.
- Concealed pipes and chimneys.
- Uncontrolled areas such as an outside wall behind the remote controller.
- This remote controller is equipped with a seven segment LED. display. For proper display of the remote controller LED's, the remote controller should be installed properly. (The standard height is 1.2~1.5 m from floor level.)

# MULTI/SINGLE

Indoor unit

## **ART COOL Mirror**

- 1.List of Functions**
- 2.Specifications**
- 3.Dimensions**
- 4.Piping diagrams**
- 5.Wiring diagrams**
- 6.Air flow and temperature distribution**
- 7.Sound levels**
- 8.Installation**

# 1. List of functions

## ◆ List of function

Category	Functions	AMNW07GSJR0 [AM07BP NSJ], S3NM09JARZA [AC09BQ NSJ], S3NM12JARZA [AC12BQ NSJ], S3NM18KLRZA [AC18BQ NSK], S3NM24K2RZA [AC24BQ NSK]
Air Flow	Air Supply Outlet	1
	Airflow Direction Control (left & right)	Auto
	Airflow Direction Control (up & down)	Auto
	Auto Swing (left & right)	O
	Auto Swing (up & down)	O
	Airflow Steps (fan/cool/heat)	6 / 6 / 6
	Fan Speed Auto*	Advanced
	Power Cool/Heat	O / O
	Swirl Wind*	X
	Refresh Mode**	X
	Smart Mode**	X
	Indirect Wind*	O
	Direct Wind*	O
Dry Operation	O	
Air Purification	Air Purify	X
	Ionizer	O
	UV-C	X
	Pre-Filter	O
	PM1.0 Filter	X
	Allergy Filter	X
Reliability	Hot Start	O
	Self Diagnosis	O
Convenience	Auto Mode	O
	Auto Dry Operation	O
	Auto Restart	O
	Child Lock*	O
	Forced Operation	O
	Group Control*	X
	Sleep Timer	O
	Turn On/Off Reservation	O
	Schedule*	O
	Two Thermistor Control*	O
External On/Off	X	
Installation	Drain Pump	X
	E.S.P. Control*	X
	High Ceiling Operation*	X
Special Functions	Wi-Fi	Embedded
	Auto Elevation Grille	X
	Human Detection Function**	X
	Floor Detection Function**	X

### Note

- O : Applied, X : Not Applied, - : Unconfirmed or irrelevant  
Embedded : A kit is provided by default for using this function when the product is manufactured.  
Accessory : Ordered and purchased separately the accessory package referring to the model name provided and install at field. Accessory line-ups varies by region, so check your local catalogue or local sales material.
- Some functions can be limited by remote controller.
- In case of cassette type indoor units, Air Purification Kit and Auto Elevation Grille functions are not applicable at the same time.
- 'Auto Mode' varies depending on the outdoor unit type.
  - Auto Change Over(Single Heat Pump Outdoor Unit)
  - Auto Mode Select(Multi Heat Pump Outdoor Unit)
  - Auto Intensity Control(Cooling Only Outdoor Unit)
- \* : These functions need to connect the wired remote controller.
- \*\* : This functions need to connect to the Standard III wired remote controller.

# 1. List of functions

## ◆ List of function

Category	Functions	ZMNV07GJRW1 [AM07BK NSJ], S3NM09JARMA [AC09BK NSJ], S3NM12JARMA [AC12BK NSJ] S3NM18KLRMA [AC18BK NSK], S3NM24K2RMA [AC24BK NSK]
Air Flow	Air Supply Outlet	1
	Airflow Direction Control (left & right)	Auto
	Airflow Direction Control (up & down)	Auto
	Auto Swing (left & right)	O
	Auto Swing (up & down)	O
	Airflow Steps (fan/cool/heat)	6 / 6 / 6
	Fan Speed Auto*	Advanced
	Power Cool/Heat	O / O
	Swirl Wind*	X
	Refresh Mode**	X
	Smart Mode**	X
	Indirect Wind*	O
	Direct Wind*	O
Dry Operation	O	
Air Purification	Air Purify	X
	Ionizer	O
	UV-C	O
	Pre-Filter	O
	PM1.0 Filter	X
	Allergy Filter	O
Reliability	Hot Start	O
	Self Diagnosis	O
Convenience	Auto Mode	O
	Auto Dry Operation	O
	Auto Restart	O
	Child Lock*	O
	Forced Operation	O
	Group Control*	X
	Sleep Timer	O
	Turn On/Off Reservation	O
	Schedule*	O
	Two Thermistor Control*	O
External On/Off	X	
Installation	Drain Pump	X
	E.S.P. Control*	X
	High Ceiling Operation*	X
Special Functions	Wi-Fi	Embedded
	Auto Elevation Grille	X
	Human Detection Function**	X
	Floor Detection Function**	X

### Note

- O : Applied, X : Not Applied, - : Unconfirmed or irrelevant  
Embedded : A kit is provided by default for using this function when the product is manufactured.  
Accessory : Ordered and purchased separately the accessory package referring to the model name provided and install at field. Accessory line-ups varies by region, so check your local catalogue or local sales material.
- Some functions can be limited by remote controller.
- In case of cassette type indoor units, Air Purification Kit and Auto Elevation Grille functions are not applicable at the same time.
- 'Auto Mode' varies depending on the outdoor unit type.
  - Auto Change Over(Single Heat Pump Outdoor Unit)
  - Auto Mode Select(Multi Heat Pump Outdoor Unit)
  - Auto Intensity Control(Cooling Only Outdoor Unit)
- \* : These functions need to connect the wired remote controller.
- \*\* : This functions need to connect to the Standard III wired remote controller.



# 1. List of functions

## ◆ Accessory Compatibility List

Category		Product	Remark	AMNW07GSJR0 [AM07BP NSJ] ZMNW07GJRW1 [AM07BK NSJ] S3NM09JARZA [AC09BQ NSJ] S3NM09JARMA [AC09BK NSJ] S3NM12JARZA [AC12BQ NSJ] S3NM12JARMA [AC12BK NSJ] S3NM18KLRZA [AC18BQ NSK] S3NM18KLARMA [AC18BK NSK] S3NM24K2RZA [AC24BQ NSK] S3NM24K2RMA [AC24BK NSK]
Wireless Remote Controller		PQWRHQ0FDB	Heat Pump	O (Embedded)
		PWLSSB21H	Heat Pump	O
Wired Remote Controller	Simple	PQRCVCL0Q(W)	Simple	O
		PQRCHCA0Q(W)	for Hotel	O
	Standard	PREMTB001	Standard II (White)	O
		PREMTBB01	Standard II (Black)	O
		PREMTB100	Standard III (White)	O
		PREMTBB10	Standard III (Black)	O
	Premium	PREMTA000(A/B)	Premium	X
Dry contact	Simple Contact	PDRYCB000	Simple Dry Contact	O
	Communication type	PDRYCB400	2 Points Dry Contact (For Setback)	O
		PDRYCB300	For 3rd Party Thermostat	O
		PDRYCB320	For 3rd Party Thermostat (Analog Input)	O
		PDRYCB500	For Modbus	O
Gateway	IDU PI485	PHNFP14A0	Without case	X
		PSNFP14A0	With case	X
ETC	Remote temperature sensor	PQRSTA0	-	X
	Zone controller	ABZCA	-	X
	CO <sub>2</sub> Sensor	PES-C0RV0	For ERV, ERV DX Indoor units	X
	Group control wire	PZCWRCG3	0.25m	X
	2-Remo Control Wire	PZCWRC2	0.25m	X
	Extension Wire	PZCWRC1	10m	O
	Wi-Fi Controller*	PWFMDD200	-	O (Embedded)
Human detecting sensor	PTVSA00	-	X	

### Note

1. O: Possible, X: Impossible, -: Not applicable, Embedded: Included with product.
2. \*: Some advanced functions controlled by individual controller cannot be operated.
3. If there is a difference in development time between the product and the remote controller, some functions cannot be operated.
4. Selecting a wireless remote controller in case of ducted type indoor units requires either a connection to the wired remote controller (Standard II) or an IR receiver accessory to be connected to the duct in order to receive the signal.
5. If you need more detail, please refer to the **BECON** PDB or the manual of product. (<http://partner.lge.com/global> : Home> Doc.Library> Product > Control(BECON))
6. Do not install both the IR Receiver and Wired Remote Controller. This may cause malfunctions.

## 2. Specifications

Model Name			AMNW07GSJR0 [AM07BP NSJ]	
Power Supply		V, Ø, Hz	220-240, 1, 50	
			220, 1, 60	
Capacity(Nominal)	Cooling	kW	2.1	
	Heating	kW	2.3	
Power Input	Min./Nom./Max.	W	11 / 17 / 30	
Running Current	Min./Nom./Max.	A	0.10 / 0.14 / 0.20	
Casing Color			-	
			Munsell 7.5PB 0.2/20 (RAL 9005)	
Dimensions	Body	W × H × D	mm	837 × 308 × 192
		W × H × D	inch	32-15/16 × 12-1/8 × 7-9/16
	Shipping	W × H × D	mm	909 × 383 × 256
		W × H × D	inch	35-25/32 × 15-3/32 × 10-3/32
Weight	Body		kg (lbs)	9.1 (20.1)
	Shipping		kg (lbs)	12.5 (27.6)
Heat Exchanger	(Row×Column×Fins per inch) × No.		-	(2 × 15 × 21) × 1
	Face Area		m <sup>2</sup> (ft <sup>2</sup> )	0.19 (2.05)
	Corrosion Protection		-	PCM
	Fin Type		-	Slit
	Material, Tube / Fin		-	Cu / Al
Fan	Type		-	Cross Flow Fan
	Air Flow Rate	H / M / L	m <sup>3</sup> /min	8.6 / 7.2 / 5.6
		H / M / L	ft <sup>3</sup> /min	304 / 254 / 198
Fan Motor	Type		-	BLDC
	Output		W × No.	30 × 1
Sound Pressure Level		H / M / L	dB(A)	35 / 32 / 27
Sound Power Level		Rated	dB(A)	57
Piping Connections	Liquid		mm(inch)	Ø 6.35 (1/4)
	Gas		mm(inch)	Ø 9.52 (3/8)
	Drain	O.D. / I.D.	mm	Ø 21.5 / 16.0
Safety Devices			-	Fuse
			-	Thermal Protector for Fan Motor
Connections Method			-	Flared
Power and Communication Cable (included Earth)		No. x mm <sup>2</sup>	4C × 0.75	

### Note

- Due to our policy of innovation some specifications may be changed without notification.
- Wiring cable size must comply with the applicable local and national code. And "Electric characteristics" chapter should be considered for electrical work and design. Especially the power cable and circuit breaker should be selected in accordance with that.
- Sound Level Values are measured at Noise Measuring chamber accordance with standard. Therefore, these values depend on the ambient conditions and values are normally higher in actual operation(Sound Pressure : LG Internal standard, Sound Power : EN 12102 (ISO 3741).
- Capacities are net capacities and based on the following conditions. Refer to the Outdoor Unit Specifications for calculating the real capacity.
  - Cooling : Indoor Ambient Temp. 27°CDB / 19°CWB, Outdoor Ambient Temp. 35°CDB / 24°CWB
  - Heating : Indoor Ambient Temp. 20°CDB / 15°CWB, Outdoor Ambient Temp. 7°CDB / 6°CWB
  - Interconnected Pipe is standard length and difference of Elevation (Outdoor ~ Indoor Unit) is 0m.

## 2. Specifications

Model Name			ZMNW07GJRW1 [AM07BK NSJ]	
Power Supply		V, Ø, Hz	220-240, 1, 50 220, 1, 60	
Capacity(Nominal)	Cooling	kW	2.1	
	Heating	kW	2.3	
Power Input	Min./Nom./Max.	W	11 / 17 / 30	
Running Current	Min./Nom./Max.	A	0.10 / 0.14 / 0.20	
Casing Color		-	Munsell 7.5PB 0.2/20 (RAL 9005)	
Dimensions	Body	W × H × D	mm	837 × 308 × 192
		W × H × D	inch	32-15/16 × 12-1/8 × 7-9/16
	Shipping	W × H × D	mm	882 × 385 × 253
		W × H × D	inch	34-23/32 × 15-5/32 × 9-31/32
Weight	Body	kg (lbs)	9.9 (21.8)	
	Shipping	kg (lbs)	12.5 (27.6)	
Heat Exchanger	(Row×Column×Fins per inch) × No.		-	(2 × 15 × 21) × 1
	Face Area		m <sup>2</sup> (ft <sup>2</sup> )	0.19 (2.05)
	Corrosion Protection		-	PCM
	Fin Type		-	Slit
	Material, Tube / Fin		-	Cu / Al
Fan	Type		-	Cross Flow Fan
	Air Flow Rate	(Cooling) SH / H / M / L	m <sup>3</sup> /min	11.1 / 8.6 / 7.2 / 5.0
			ft <sup>3</sup> /min	392 / 304 / 254 / 177
		(Heating) SH / H / M / L	m <sup>3</sup> /min	- / 8.6 / 7.2 / 5.0
ft <sup>3</sup> /min			- / 304 / 254 / 177	
Fan Motor	Type		-	BLDC
	Output		W × No.	30 × 1
Sound Pressure Level		(Cooling) SH / H / M / L / SL	dB(A)	- / 36 / 32 / 26 / 19
		(Heating) SH / H / M / L / SL	dB(A)	- / 36 / 32 / 26 / -
Sound Power Level		Rated	dB(A)	57
Piping Connections	Liquid		mm(inch)	Ø 6.35 (1/4)
	Gas		mm(inch)	Ø 9.52 (3/8)
	Drain	O.D. / I.D.	mm	Ø 21.5 / 16.0
Safety Devices		-	-	Fuse
Connections Method		-	-	Flared
Power and Communication Cable (included Earth)		No. x mm <sup>2</sup>		4C × 0.75

### Note

1. Due to our policy of innovation some specifications may be changed without notification.
2. Wiring cable size must comply with the applicable local and national code. And "Electric characteristics" chapter should be considered for electrical work and design. Especially the power cable and circuit breaker should be selected in accordance with that.
3. Sound Level Values are measured at Noise Measuring chamber accordance with standard. Therefore, these values depend on the ambient conditions and values are normally higher in actual operation(Sound Pressure : LG Internal standard, Sound Power : EN 12102 (ISO 3741).
4. Capacities are net capacities and based on the following conditions. Refer to the Outdoor Unit Specifications for calculating the real capacity.
  - Cooling : Indoor Ambient Temp. 27°CDB / 19°CWB, Outdoor Ambient Temp. 35°CDB / 24°CWB
  - Heating : Indoor Ambient Temp. 20°CDB / 15°CWB, Outdoor Ambient Temp. 7°CDB / 6°CWB
  - Interconnected Pipe is standard length and difference of Elevation (Outdoor ~ Indoor Unit) is 0m.

## 2. Specifications

Model Name			S3NM09JARZA [AC09BQ NSJ]		
Power Supply		V, Ø, Hz	220-240, 1, 50		
			220, 1, 60		
Capacity(Nominal)	Cooling	kW	2.5		
	Heating	kW	3.3		
Power Input	Min./Nom./Max.	W	11 / 18 / 30		
Running Current	Min./Nom./Max.	A	0.10 / 0.16 / 0.20		
Casing Color			-	Munsell 7.5PB 0.2/20 (RAL 9005)	
Dimensions	Body	W x H x D	mm	837 x 308 x 192	
		W x H x D	inch	32-15/16 x 12-1/8 x 7-9/16	
	Shipping	W x H x D	mm	914 x 388 x 261	
		W x H x D	inch	35-31/32 x 15-9/32 x 10-9/32	
Weight	Body		kg (lbs)	9.9 (21.8)	
	Shipping		kg (lbs)	13.6 (30.0)	
Heat Exchanger	(Row x Column x Fins per inch) x No.		-	(2 x 15 x 21) x 1	
	Face Area		m <sup>2</sup> (ft <sup>2</sup> )	0.19 (2.05)	
	Corrosion Protection		-	PCM	
	Fin Type		-	Slit	
	Material, Tube / Fin		-	Cu / Al	
Fan	Type		-	Cross Flow Fan	
	Air Flow Rate	(Cooling) SH / H / M / L	m <sup>3</sup> /min	11.1 / 9.1 / 7.6 / 5.0	
			ft <sup>3</sup> /min	392 / 321 / 268 / 177	
		(Heating) SH / H / M / L	m <sup>3</sup> /min	- / 9.1 / 7.6 / 5.0	
			ft <sup>3</sup> /min	- / 321 / 268 / 177	
Fan Motor	Type		-	BLDC	
	Output		W x No.	30 x 1	
Sound Pressure Level	(Cooling) SH / H / M / L / SL		dB(A)	- / 38 / 33 / 26 / 19	
	(Heating) SH / H / M / L / SL		dB(A)	- / 38 / 33 / 26 / -	
Sound Power Level	Rated		dB(A)	57	
Piping Connections	Liquid		mm(inch)	Ø 6.35 (1/4)	
	Gas		mm(inch)	Ø 9.52 (3/8)	
	Drain	O.D. / I.D.	mm	21.5 / 16.0	
Safety Devices			-	Fuse	
			-	Thermal Preotector for Fan Motor	
Connections Method			-	Flared	
Power and Communication Cable (included Earth)			No. x mm <sup>2</sup>	4C x 1.0	

### Note

1. Due to our policy of innovation some specifications may be changed without notification.
2. Wiring cable size must comply with the applicable local and national code. And "Electric characteristics" chapter should be considered for electrical work and design. Especially the power cable and circuit breaker should be selected in accordance with that.
3. Sound Level Values are measured at Noise Measuring chamber accordance with standard. Therefore, these values depend on the ambient conditions and values are normally higher in actual operation(Sound Pressure : LG Internal standard, Sound Power : EN 12102 (ISO 3741).
4. Capacities are net capacities and based on the following conditions. Refer to the Outdoor Unit Specifications for calculating the real capacity.
  - Cooling : Indoor Ambient Temp. 27°CDB / 19°CWB, Outdoor Ambient Temp. 35°CDB / 24°CWB
  - Heating : Indoor Ambient Temp. 20°CDB / 15°CWB, Outdoor Ambient Temp. 7°CDB / 6°CWB
  - Interconnected Pipe is standard length and difference of Elevation (Outdoor ~ Indoor Unit) is 0m.

## 2. Specifications

Model Name			S3NM09JARMA [AC09BK NSJ]	
Power Supply		V, Ø, Hz	220-240, 1, 50	
			220, 1, 60	
Capacity(Nominal)	Cooling	kW	2.5	
	Heating	kW	3.3	
Power Input	Min./Nom./Max.	W	11 / 18 / 30	
Running Current	Min./Nom./Max.	A	0.10 / 0.16 / 0.20	
Casing Color			-	Munsell 7.5PB 0.2/20 (RAL 9005)
Dimensions	Body	W x H x D	mm	837 x 308 x 192
		W x H x D	inch	32-15/16 x 12-1/8 x 7-9/16
	Shipping	W x H x D	mm	882 x 385 x 253
		W x H x D	inch	34-23/32 x 15-5/32 x 9-31/32
Weight	Body		kg (lbs)	9.9 (21.8)
	Shipping		kg (lbs)	13.6 (30.0)
Heat Exchanger	(Row x Column x Fins per inch) x No.		-	(2 x 15 x 21) x 1
	Face Area		m <sup>2</sup> (ft <sup>2</sup> )	0.19 (2.05)
	Corrosion Protection		-	PCM
	Fin Type		-	Slit
	Material, Tube / Fin		-	Cu / Al
Fan	Type		-	Cross Flow Fan
	Air Flow Rate	(Cooling) SH / H / M / L	m <sup>3</sup> /min	11.1 / 9.1 / 7.6 / 5.0
			ft <sup>3</sup> /min	392 / 321 / 268 / 177
		(Heating) SH / H / M / L	m <sup>3</sup> /min	- / 9.1 / 7.6 / 5.0
			ft <sup>3</sup> /min	- / 321 / 268 / 177
Fan Motor	Type		-	BLDC
	Output		W x No.	30 x 1
Sound Pressure Level		(Cooling) SH / H / M / L / SL	dB(A)	- / 38 / 33 / 26 / 19
		(Heating) SH / H / M / L / SL	dB(A)	- / 38 / 33 / 26 / -
Sound Power Level		Rated	dB(A)	57
Piping Connections	Liquid		mm(inch)	Ø 6.35 (1/4)
	Gas		mm(inch)	Ø 9.52 (3/8)
	Drain	O.D. / I.D.	mm	21.5 / 16.0
Safety Devices			-	Fuse
			-	Thermal Preotector for Fan Motor
Connections Method			-	Flared
Power and Communication Cable (included Earth)			No. x mm <sup>2</sup>	4C x 0.75

### Note

1. Due to our policy of innovation some specifications may be changed without notification.
2. Wiring cable size must comply with the applicable local and national code. And "Electric characteristics" chapter should be considered for electrical work and design. Especially the power cable and circuit breaker should be selected in accordance with that.
3. Sound Level Values are measured at Noise Measuring chamber accordance with standard. Therefore, these values depend on the ambient conditions and values are normally higher in actual operation(Sound Pressure : LG Internal standard, Sound Power : EN 12102 (ISO 3741).
4. Capacities are net capacities and based on the following conditions. Refer to the Outdoor Unit Specifications for calculating the real capacity.
  - Cooling : Indoor Ambient Temp. 27°CDB / 19°CWB, Outdoor Ambient Temp. 35°CDB / 24°CWB
  - Heating : Indoor Ambient Temp. 20°CDB / 15°CWB, Outdoor Ambient Temp. 7°CDB / 6°CWB
  - Interconnected Pipe is standard length and difference of Elevation (Outdoor ~ Indoor Unit) is 0m.

## 2. Specifications

Model Name			S3NM12JARZA [AC12BQ NSJ]	
Power Supply		V, Ø, Hz	220-240, 1, 50	
			220, 1, 60	
Capacity(Nominal)	Cooling	kW	3.5	
	Heating	kW	4.0	
Power Input	Min./Nom./Max.	W	11 / 19 / 30	
Running Current	Min./Nom./Max.	A	0.10 / 0.17 / 0.20	
Casing Color			-	Munsell 7.5PB 0.2/20 (RAL 9005)
Dimensions	Body	W x H x D	mm	837 x 308 x 192
		W x H x D	inch	32-15/16 x 12-1/8 x 7-9/16
	Shipping	W x H x D	mm	914 x 388 x 261
		W x H x D	inch	35-31/32 x 15-9/32 x 10-9/32
Weight	Body		kg (lbs)	9.9 (21.8)
	Shipping		kg (lbs)	13.6 (30.0)
Heat Exchanger	(Row x Column x Fins per inch) x No.		-	(2 x 15 x 21) x 1
	Face Area		m <sup>2</sup> (ft <sup>2</sup> )	0.19 (2.05)
	Corrosion Protection		-	PCM
	Fin Type		-	Slit
	Material, Tube / Fin		-	Cu / Al
Fan	Type		-	Cross Flow Fan
	Air Flow Rate	(Cooling) SH / H / M / L	m <sup>3</sup> /min	11.1 / 9.6 / 8.1 / 5.0
			ft <sup>3</sup> /min	392 / 339 / 286 / 177
		(Heating) SH / H / M / L	m <sup>3</sup> /min	- / 9.6 / 8.1 / 5.0
			ft <sup>3</sup> /min	- / 339 / 286 / 177
Fan Motor	Type		-	BLDC
	Output		W x No.	30 x 1
Sound Pressure Level	(Cooling) SH / H / M / L / SL		dB(A)	- / 39 / 35 / 26 / 19
	(Heating) SH / H / M / L / SL		dB(A)	- / 39 / 35 / 26 / -
Sound Power Level	Rated		dB(A)	57
Piping Connections	Liquid		mm(inch)	Ø 6.35 (1/4)
	Gas		mm(inch)	Ø 9.52 (3/8)
	Drain	O.D. / I.D.	mm	21.5 / 16.0
Safety Devices			-	Fuse
			-	Thermal Preotector for Fan Motor
Connections Method			-	Flared
Power and Communication Cable (included Earth)			No. x mm <sup>2</sup>	4C x 1.0

### Note

1. Due to our policy of innovation some specifications may be changed without notification.
2. Wiring cable size must comply with the applicable local and national code. And "Electric characteristics" chapter should be considered for electrical work and design. Especially the power cable and circuit breaker should be selected in accordance with that.
3. Sound Level Values are measured at Noise Measuring chamber accordance with standard. Therefore, these values depend on the ambient conditions and values are normally higher in actual operation(Sound Pressure : LG Internal standard, Sound Power : EN 12102 (ISO 3741).
4. Capacities are net capacities and based on the following conditions. Refer to the Outdoor Unit Specifications for calculating the real capacity.
  - Cooling : Indoor Ambient Temp. 27°CDB / 19°CWB, Outdoor Ambient Temp. 35°CDB / 24°CWB
  - Heating : Indoor Ambient Temp. 20°CDB / 15°CWB, Outdoor Ambient Temp. 7°CDB / 6°CWB
  - Interconnected Pipe is standard length and difference of Elevation (Outdoor ~ Indoor Unit) is 0m.

## 2. Specifications

Model Name				S3NM12JARMA [AC12BK NSJ]	
Power Supply		V, Ø, Hz		220-240, 1, 50	
				220, 1, 60	
Capacity(Nominal)	Cooling	kW		3.5	
	Heating	kW		4.0	
Power Input	Min./Nom./Max.		W	11 / 19 / 30	
Running Current	Min./Nom./Max.		A	0.10 / 0.17 / 0.20	
Casing Color			-	Munsell 7.5PB 0.2/20 (RAL 9005)	
Dimensions	Body	W x H x D		mm	837 x 308 x 192
		W x H x D		inch	32-15/16 x 12-1/8 x 7-9/16
	Shipping	W x H x D		mm	882 x 385 x 253
		W x H x D		inch	34-23/32 x 15-5/32 x 9-31/32
Weight	Body		kg (lbs)	9.9 (21.8)	
	Shipping		kg (lbs)	13.6 (30.0)	
Heat Exchanger	(Row x Column x Fins per inch) x No.		-	(2 x 15 x 21) x 1	
	Face Area		m <sup>2</sup> (ft <sup>2</sup> )	0.19 (2.05)	
	Corrosion Protection		-	PCM	
	Fin Type		-	Slit	
	Material, Tube / Fin		-	Cu / Al	
Fan	Type		-	Cross Flow Fan	
	Air Flow Rate	(Cooling) SH / H / M / L	m <sup>3</sup> /min	11.1 / 9.6 / 8.1 / 5.0	
			ft <sup>3</sup> /min	392 / 339 / 286 / 177	
		(Heating) SH / H / M / L	m <sup>3</sup> /min	- / 9.6 / 8.1 / 5.0	
			ft <sup>3</sup> /min	- / 339 / 286 / 177	
Fan Motor	Type		-	BLDC	
	Output		W x No.	30 x 1	
Sound Pressure Level		(Cooling) SH / H / M / L / SL	dB(A)	- / 39 / 35 / 26 / 19	
		(Heating) SH / H / M / L / SL	dB(A)	- / 39 / 35 / 26 / -	
Sound Power Level		Rated	dB(A)	57	
Piping Connections	Liquid		mm(inch)	Ø 6.35 (1/4)	
	Gas		mm(inch)	Ø 9.52 (3/8)	
	Drain	O.D. / I.D.	mm	21.5 / 16.0	
Safety Devices			-	Fuse	
			-	Thermal Preotector for Fan Motor	
Connections Method			-	Flared	
Power and Communication Cable (included Earth)			No. x mm <sup>2</sup>	4C x 0.75	

### Note

1. Due to our policy of innovation some specifications may be changed without notification.
2. Wiring cable size must comply with the applicable local and national code. And "Electric characteristics" chapter should be considered for electrical work and design. Especially the power cable and circuit breaker should be selected in accordance with that.
3. Sound Level Values are measured at Noise Measuring chamber accordance with standard. Therefore, these values depend on the ambient conditions and values are normally higher in actual operation(Sound Pressure : LG Internal standard, Sound Power : EN 12102 (ISO 3741).
4. Capacities are net capacities and based on the following conditions. Refer to the Outdoor Unit Specifications for calculating the real capacity.
  - Cooling : Indoor Ambient Temp. 27°CDB / 19°CWB, Outdoor Ambient Temp. 35°CDB / 24°CWB
  - Heating : Indoor Ambient Temp. 20°CDB / 15°CWB, Outdoor Ambient Temp. 7°CDB / 6°CWB
  - Interconnected Pipe is standard length and difference of Elevation (Outdoor ~ Indoor Unit) is 0m.

## 2. Specifications

Model Name			S3NM18KLRZA [AC18BQ NSK]	
Power Supply		V, Ø, Hz	220-240, 1, 50	
			220, 1, 60	
Capacity(Nominal)	Cooling	kW	5.0	
	Heating	kW	5.8	
Power Input	Min./Nom./Max.	W	26 / 39 / 60	
Running Current	Min./Nom./Max.	A	0.22 / 0.28 / 0.40	
Casing Color			-	Munsell 7.5PB 0.2/20 (RAL 9005)
Dimensions	Body	W x H x D	mm	998 × 345 × 212
		W x H x D	inch	39-9/32 × 13-19/32 × 8-11/32
	Shipping	W x H x D	mm	1,085 × 427 × 286
		W x H x D	inch	42-23/32 x 16-13/16 x 11-1/4
Weight	Body		kg (lbs)	12.8(28.2)
	Shipping		kg (lbs)	17.4(38.3)
Heat Exchanger	(Row x Column x Fins per inch) x No.		-	(2 × 16 × 20) × 1
	Face Area		m <sup>2</sup> (ft <sup>2</sup> )	0.28 (3.01)
	Corrosion Protection		-	PCM
	Fin Type		-	Slit
	Material, Tube / Fin		-	Cu / Al
Fan	Type		-	Cross Flow Fan
	Air Flow Rate	(Cooling) SH / H / M / L	m <sup>3</sup> /min	16.8 / 15.5 / 13.1 / 10.5
			ft <sup>3</sup> /min	593 / 547 / 463 / 371
		(Heating) SH / H / M / L	m <sup>3</sup> /min	- / 15.5 / 13.1 / 10.5
			ft <sup>3</sup> /min	- / 547 / 463 / 371
Fan Motor	Type		-	BLDC
	Output		W x No.	30 x 1
Sound Pressure Level	(Cooling) SH / H / M / L / SL		dB(A)	- / 47 / 42 / 34 / 31
	(Heating) SH / H / M / L / SL		dB(A)	- / 47 / 42 / 34 / -
Sound Power Level	Rated		dB(A)	59
Piping Connections	Liquid		mm(inch)	Ø 6.35 (1/4)
	Gas		mm(inch)	Ø 12.7 (1/2)
	Drain	O.D. / I.D.	mm	21.5 / 16.0
Safety Devices			-	Fuse
			-	Thermal Preotector for Fan Motor
Connections Method			-	Flared
Power and Communication Cable (included Earth)			No. x mm <sup>2</sup>	4C x 1.0

### Note

1. Due to our policy of innovation some specifications may be changed without notification.
2. Wiring cable size must comply with the applicable local and national code. And "Electric characteristics" chapter should be considered for electrical work and design. Especially the power cable and circuit breaker should be selected in accordance with that.
3. Sound Level Values are measured at Noise Measuring chamber accordance with standard. Therefore, these values depend on the ambient conditions and values are normally higher in actual operation(Sound Pressure : LG Internal standard, Sound Power : EN 12102 (ISO 3741).
4. Capacities are net capacities and based on the following conditions. Refer to the Outdoor Unit Specifications for calculating the real capacity.
  - Cooling : Indoor Ambient Temp. 27°CDB / 19°CWB, Outdoor Ambient Temp. 35°CDB / 24°CWB
  - Heating : Indoor Ambient Temp. 20°CDB / 15°CWB, Outdoor Ambient Temp. 7°CDB / 6°CWB
  - Interconnected Pipe is standard length and difference of Elevation (Outdoor ~ Indoor Unit) is 0m.



## 2. Specifications

Model Name				S3NM18KLRMA [AC18BK NSK]	
Power Supply		V, Ø, Hz		220-240, 1, 50	
				220, 1, 60	
Capacity(Nominal)	Cooling	kW		5.0	
	Heating	kW		5.8	
Power Input	Min./Nom./Max.		W	26 / 39 / 60	
Running Current	Min./Nom./Max.		A	0.22 / 0.28 / 0.40	
Casing Color			-	Munsell 7.5PB 0.2/20 (RAL 9005)	
Dimensions	Body	W x H x D		mm	998 x 345 x 212
		W x H x D		inch	39-9/32 x 13-19/32 x 8-11/32
	Shipping	W x H x D		mm	1,053 x 424 x 278
		W x H x D		inch	41-15/32 x 16-11/16 x 10-15/16
Weight	Body		kg (lbs)	12.8(28.2)	
	Shipping		kg (lbs)	17.4(38.3)	
Heat Exchanger	(Row x Column x Fins per inch) x No.		-	(2 x 16 x 20) x 1	
	Face Area		m <sup>2</sup> (ft <sup>2</sup> )	0.28 (3.01)	
	Corrosion Protection		-	PCM	
	Fin Type		-	Slit	
	Material, Tube / Fin		-	Cu / Al	
Fan	Type		-	Cross Flow Fan	
	Air Flow Rate	(Cooling) SH / H / M / L	m <sup>3</sup> /min	16.8 / 15.5 / 13.1 / 10.5	
			ft <sup>3</sup> /min	593 / 547 / 463 / 371	
		(Heating) SH / H / M / L	m <sup>3</sup> /min	- / 15.5 / 13.1 / 10.5	
			ft <sup>3</sup> /min	- / 547 / 463 / 371	
Fan Motor	Type		-	BLDC	
	Output		W x No.	30 x 1	
Sound Pressure Level		(Cooling) SH / H / M / L / SL		dB(A)	- / 47 / 42 / 34 / 31
		(Heating) SH / H / M / L / SL		dB(A)	- / 47 / 42 / 34 / -
Sound Power Level		Rated		dB(A)	59
Piping Connections	Liquid		mm(inch)	Ø 6.35 (1/4)	
	Gas		mm(inch)	Ø 12.7 (1/2)	
	Drain	O.D. / I.D.		mm	21.5 / 16.0
Safety Devices			-	Fuse	
			-	Thermal Preotector for Fan Motor	
Connections Method			-	Flared	
Power and Communication Cable (included Earth)			No. x mm <sup>2</sup>	4C x 0.75	

### Note

- Due to our policy of innovation some specifications may be changed without notification.
- Wiring cable size must comply with the applicable local and national code. And "Electric characteristics" chapter should be considered for electrical work and design. Especially the power cable and circuit breaker should be selected in accordance with that.
- Sound Level Values are measured at Noise Measuring chamber accordance with standard. Therefore, these values depend on the ambient conditions and values are normally higher in actual operation(Sound Pressure : LG Internal standard, Sound Power : EN 12102 (ISO 3741).
- Capacities are net capacities and based on the following conditions. Refer to the Outdoor Unit Specifications for calculating the real capacity.
  - Cooling : Indoor Ambient Temp. 27°CDB / 19°CWB, Outdoor Ambient Temp. 35°CDB / 24°CWB
  - Heating : Indoor Ambient Temp. 20°CDB / 15°CWB, Outdoor Ambient Temp. 7°CDB / 6°CWB
  - Interconnected Pipe is standard length and difference of Elevation (Outdoor ~ Indoor Unit) is 0m.

## 2. Specifications

Model Name				S3NM24K2RZA [AC24BQ NSK]	
Power Supply		V, Ø, Hz		220-240, 1, 50	
				220, 1, 60	
Capacity(Nominal)	Cooling	kW		6.6	
	Heating	kW		7.5	
Power Input	Min./Nom./Max.		W	27 / 45 / 60	
Running Current	Min./Nom./Max.		A	0.24 / 0.33 / 0.40	
Casing Color			-	Munsell 7.5PB 0.2/20 (RAL 9005)	
Dimensions	Body	W x H x D		mm	998 x 345 x 212
		W x H x D		inch	39-9/32 x 13-19/32 x 8-11/32
	Shipping	W x H x D		mm	1,085 x 427 x 286
		W x H x D		inch	42-23/32 x 16-13/16 x 11-1/4
Weight	Body		kg (lbs)	13.5 (29.8)	
	Shipping		kg (lbs)	18.3 (40.3)	
Heat Exchanger	(Row x Column x Fins per inch) x No.		-	(2 x 16 x 20) x 1	
	Face Area		m <sup>2</sup> (ft <sup>2</sup> )	0.28 (3.01)	
	Corrosion Protection		-	PCM	
	Fin Type		-	Slit	
	Material, Tube / Fin		-	Cu / Al	
Fan	Type		-	Cross Flow Fan	
	Air Flow Rate	(Cooling) SH / H / M / L	m <sup>3</sup> /min	18.3 / 16.1 / 13.1 / 10.5	
			ft <sup>3</sup> /min	646 / 569 / 463 / 371	
		(Heating) SH / H / M / L	m <sup>3</sup> /min	- / 16.1 / 13.1 / 10.5	
			ft <sup>3</sup> /min	- / 569 / 463 / 371	
Fan Motor	Type		-	BLDC	
	Output		W x No.	58 x 1	
Sound Pressure Level		(Cooling) SH / H / M / L / SL	dB(A)	- / 47 / 42 / 34 / 31	
		(Heating) SH / H / M / L / SL	dB(A)	- / 47 / 42 / 34 / -	
Sound Power Level		Rated	dB(A)	65	
Piping Connections	Liquid		mm(inch)	Ø 6.35 (1/4)	
	Gas		mm(inch)	Ø 15.88 (5/8)	
	Drain	O.D. / I.D.	mm	21.5 / 16.0	
Safety Devices			-	Fuse	
			-	Thermal Preotector for Fan Motor	
Connections Method			-	Flared	
Power and Communication Cable (included Earth)			No. x mm <sup>2</sup>	4C x 1.0	

### Note

1. Due to our policy of innovation some specifications may be changed without notification.
2. Wiring cable size must comply with the applicable local and national code. And "Electric characteristics" chapter should be considered for electrical work and design. Especially the power cable and circuit breaker should be selected in accordance with that.
3. Sound Level Values are measured at Noise Measuring chamber accordance with standard. Therefore, these values depend on the ambient conditions and values are normally higher in actual operation(Sound Pressure : LG Internal standard, Sound Power : EN 12102 (ISO 3741).
4. Capacities are net capacities and based on the following conditions. Refer to the Outdoor Unit Specifications for calculating the real capacity.
  - Cooling : Indoor Ambient Temp. 27°CDB / 19°CWB, Outdoor Ambient Temp. 35°CDB / 24°CWB
  - Heating : Indoor Ambient Temp. 20°CDB / 15°CWB, Outdoor Ambient Temp. 7°CDB / 6°CWB
  - Interconnected Pipe is standard length and difference of Elevation (Outdoor ~ Indoor Unit) is 0m.

## 2. Specifications

Model Name				S3NM24K2RMA [AC24BK NSK]	
Power Supply		V, Ø, Hz		220-240, 1, 50	
				220, 1, 60	
Capacity(Nominal)	Cooling	kW		6.6	
	Heating	kW		7.5	
Power Input	Min./Nom./Max.		W	27 / 45 / 60	
Running Current	Min./Nom./Max.		A	0.24 / 0.33 / 0.40	
Casing Color			-	Munsell 7.5PB 0.2/20 (RAL 9005)	
Dimensions	Body	W x H x D		mm	998 x 345 x 212
		W x H x D		inch	39-9/32 x 13-19/32 x 8-11/32
	Shipping	W x H x D		mm	1,053 x 424 x 278
		W x H x D		inch	41-15/32 x 16-11/16 x 10-15/16
Weight	Body		kg (lbs)	13.5 (29.8)	
	Shipping		kg (lbs)	18.3 (40.3)	
Heat Exchanger	(Row x Column x Fins per inch) x No.		-	(2 x 16 x 20) x 1	
	Face Area		m <sup>2</sup> (ft <sup>2</sup> )	0.28 (3.01)	
	Corrosion Protection		-	PCM	
	Fin Type		-	Slit	
	Material, Tube / Fin		-	Cu / Al	
Fan	Type		-	Cross Flow Fan	
	Air Flow Rate	(Cooling) SH / H / M / L	m <sup>3</sup> /min	18.3 / 16.1 / 13.1 / 10.5	
			ft <sup>3</sup> /min	646 / 569 / 463 / 371	
		(Heating) SH / H / M / L	m <sup>3</sup> /min	- / 16.1 / 13.1 / 10.5	
			ft <sup>3</sup> /min	- / 569 / 463 / 371	
Fan Motor	Type		-	BLDC	
	Output		W x No.	60 x 1	
Sound Pressure Level		(Cooling) SH / H / M / L / SL		dB(A)	- / 47 / 42 / 34 / 31
		(Heating) SH / H / M / L / SL		dB(A)	- / 47 / 42 / 34 / -
Sound Power Level		Rated		dB(A)	65
Piping Connections	Liquid		mm(inch)	Ø 6.35 (1/4)	
	Gas		mm(inch)	Ø 15.88 (5/8)	
	Drain	O.D. / I.D.		mm	21.5 / 16.0
Safety Devices			-	Fuse	
			-	Thermal Preotector for Fan Motor	
Connections Method			-	Flared	
Power and Communication Cable (included Earth)			No. x mm <sup>2</sup>	4C x 0.75	

**Note**

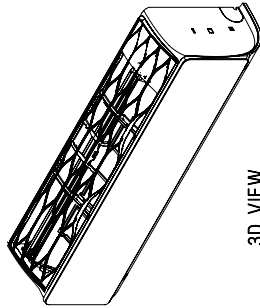
1. Due to our policy of innovation some specifications may be changed without notification.
2. Wiring cable size must comply with the applicable local and national code. And "Electric characteristics" chapter should be considered for electrical work and design. Especially the power cable and circuit breaker should be selected in accordance with that.
3. Sound Level Values are measured at Noise Measuring chamber accordance with standard. Therefore, these values depend on the ambient conditions and values are normally higher in actual operation(Sound Pressure : LG Internal standard, Sound Power : EN 12102 (ISO 3741).
4. Capacities are net capacities and based on the following conditions. Refer to the Outdoor Unit Specifications for calculating the real capacity.
  - Cooling : Indoor Ambient Temp. 27°CDB / 19°CWB, Outdoor Ambient Temp. 35°CDB / 24°CWB
  - Heating : Indoor Ambient Temp. 20°CDB / 15°CWB, Outdoor Ambient Temp. 7°CDB / 6°CWB
  - Interconnected Pipe is standard length and difference of Elevation (Outdoor ~ Indoor Unit) is 0m.

# 3. Dimensions

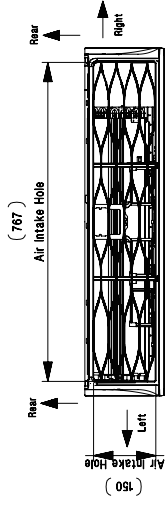
## ◆ ARTCOOL Mirror (SJ Chassis)

AMNW07GSJR0 [AM07BP NSJ], ZMNW07GJRW1 [AM07BK NSJ], S3NM09JARZA [AC09BQ NSJ], S3NM09JARMA [AC09BK NSJ], S3NM12JARZA [AC12BQ NSJ], S3NM12JARMA [AC12BK NSJ]

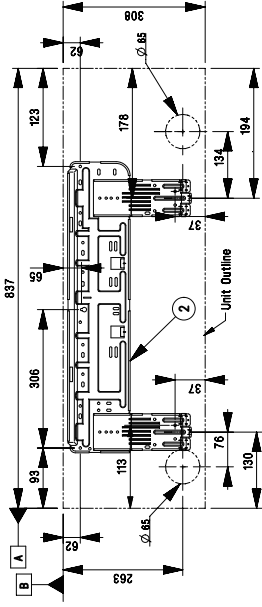
[Unit : mm]  
Chassi code : SJ  
DWG No. : TBJ36794302\_Rev02



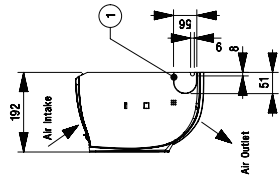
**3D VIEW**



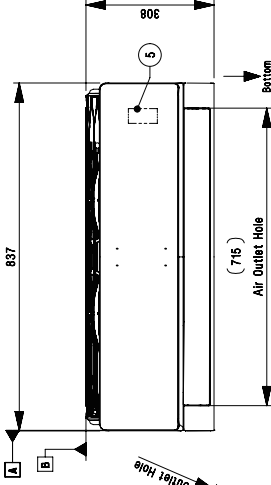
(767)  
Air Intake Hole  
Rear  
Right  
Left  
Air Intake Hole  
(150)



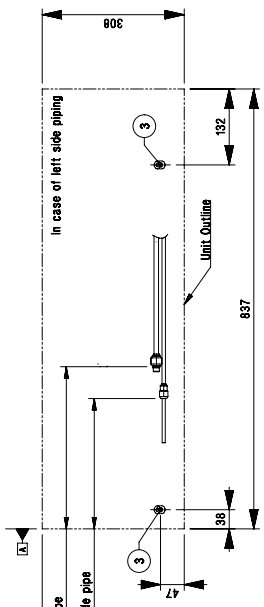
**Fixing the installation plate, drilling hole**



Air Intake  
Air Outlet  
51  
56  
1



837  
308  
Bottom  
Air Outlet Hole  
(715)  
5



**Connecting gas/liquid pipe**

Approx. 218 to gas pipe  
Approx. 218 to liquid pipe  
In case of left side piping  
Unit Outline  
837  
132  
38  
47  
3

**Note**

- Unit should be installed in compliance with the installation manual in the product box.
- Unit should be grounded in accordance with the local regulations or applicable national codes.
- All electrical components and materials to be supplied from the site must comply with the local regulations or international codes.
- Electric characteristics chapter should be considered for electrical work and design. Especially the power cable and circuit breaker should be selected in accordance with that.

**Symbols**

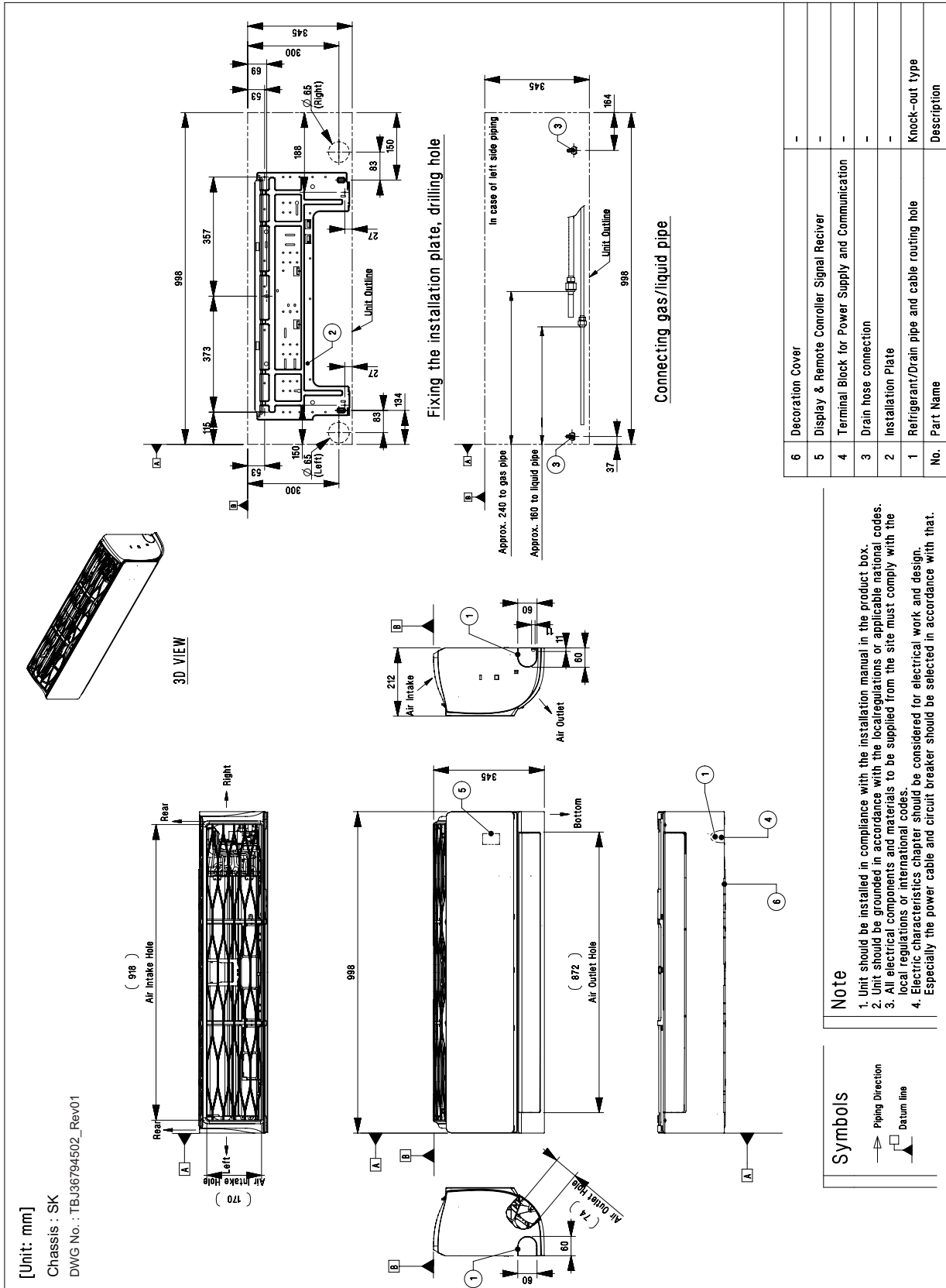
↑ Piping Direction  
□ Datum line

No.	Part Name	Description
6	Decoration Cover	-
5	Display & Remote Controller Signal Receiver	-
4	Terminal Block for Power Supply Communication	-
3	Drain hose connection	-
2	Installation Plate	-
1	Refrigerant, Drain pipe and cable routing hole	Knock-out type

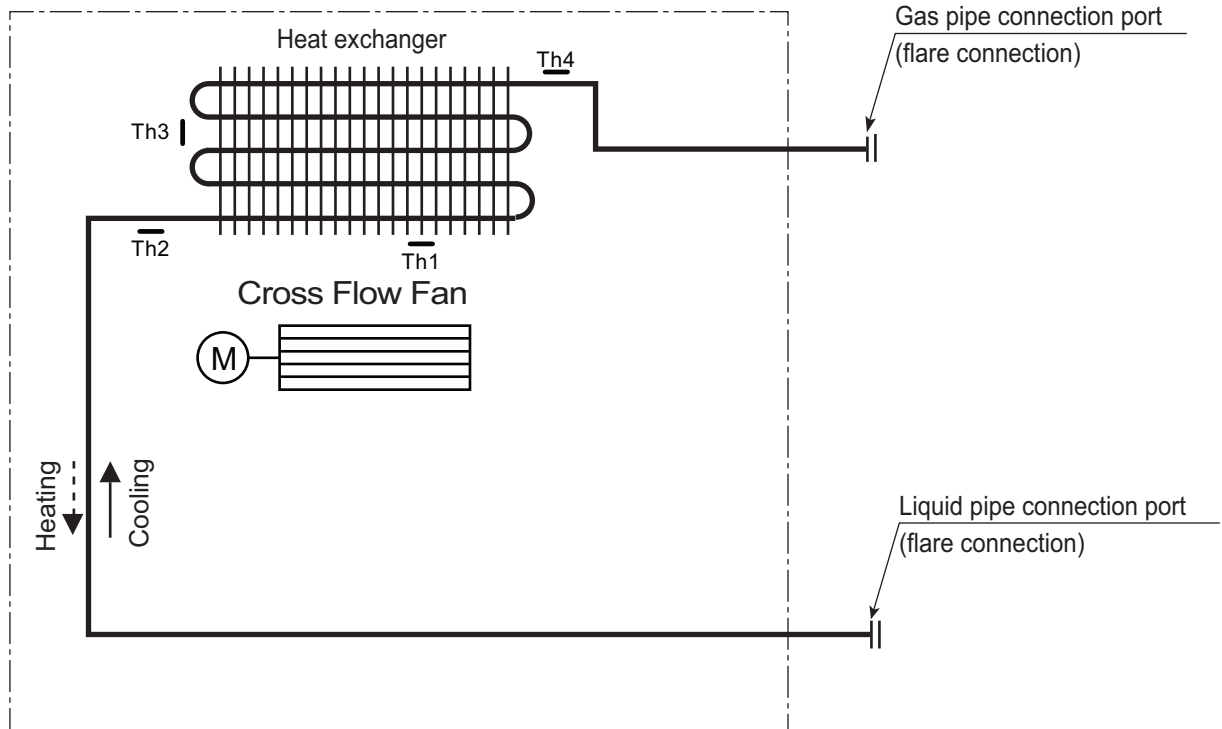
# 3. Dimensions

## ◆ ARTCOOL Mirror (SK Chassis)

S3NM18KLRZA[AC18BQ NSK], S3NM18KLRMA [AC18BK NSK], S3NM24K2RZA[AC24BQ NSK], S3NM24K2RMA [AC24BK NSK]



# 4. Piping diagrams

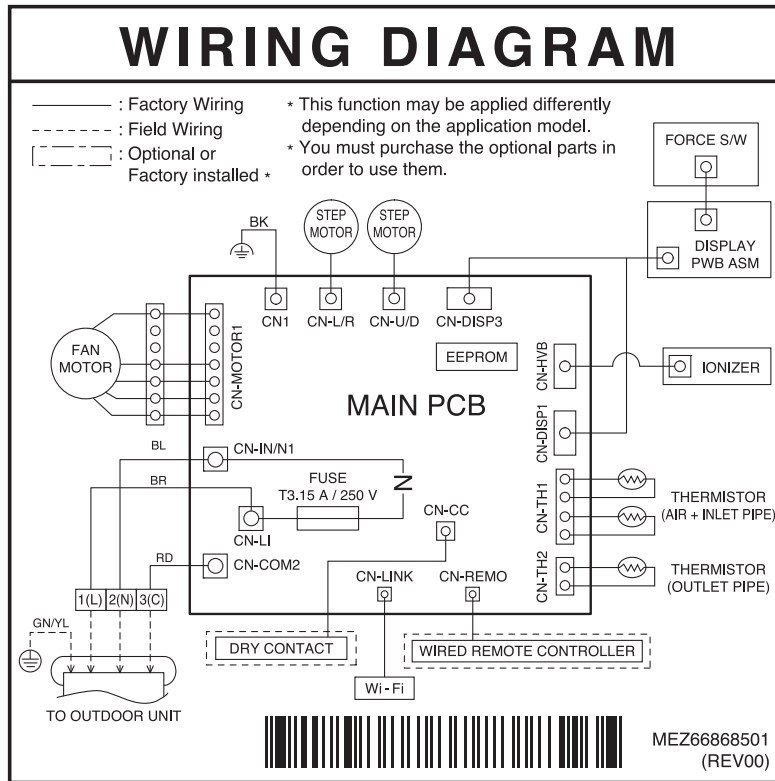


LOC.	Description	PCB Connector
Th1	Thermistor for suction air temperature	CN-TH1
Th2	Thermistor for evaporator inlet temperature	
Th3*	Thermistor for evaporator middle temperature	CN-TH3
Th4	Thermistor for evaporator outlet temperature	CN-TH2

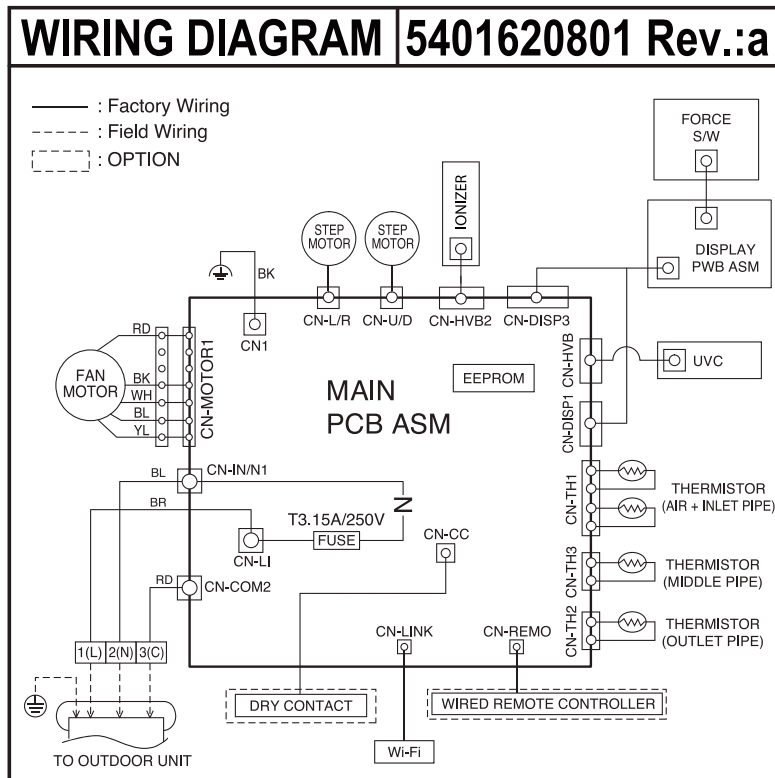
- \* : AMNW07GSJR0 [AM07BP NSJ] model is not available.

# 5. Wiring Diagrams

## Models : AMNW07GSJR0 [AM07BP NSJ]

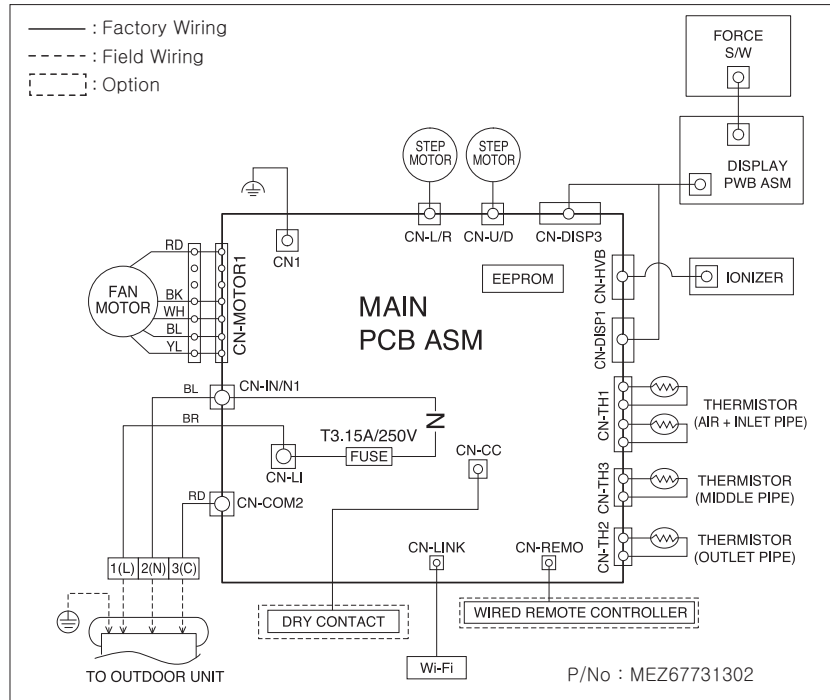


## Models : ZMNW07GJRW1 [AM07BK NSJ]

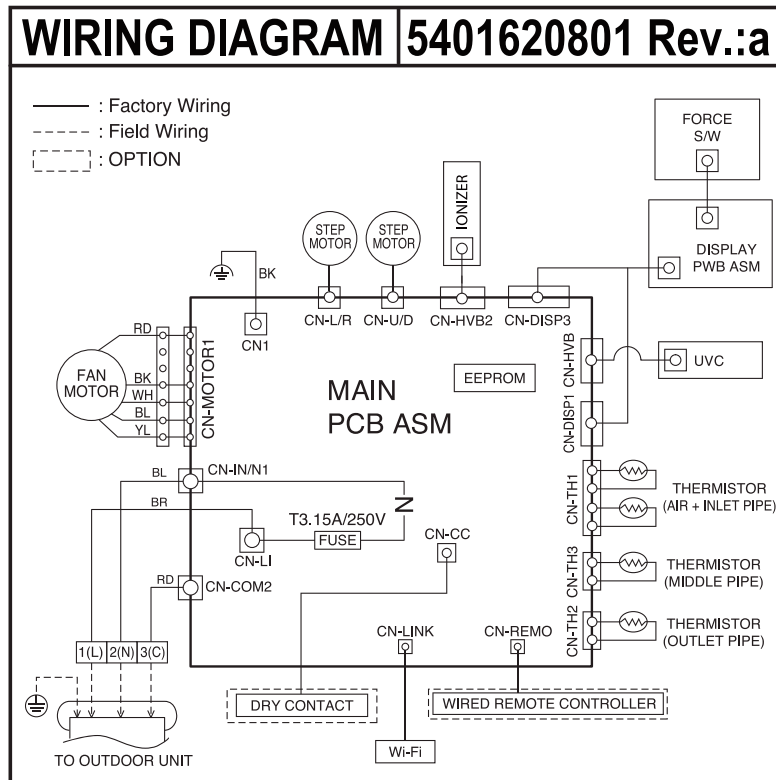


# 5. Wiring Diagrams

■ Models : S3NM09JARZA[AC09BQ NSJ], S3NM12JARZA[AC12BQ NSJ], S3NM18KLRZA[AC18BQ NSK], S3NM24K2RZA[AC24BQ NSK]



■ Models : S3NM09JARMA [AC09BK NSJ], S3NM12JARMA [AC12BK NSJ], S3NM18KLRMA [AC18BK NSK], S3NM24K2RMA [AC24BK NSK]





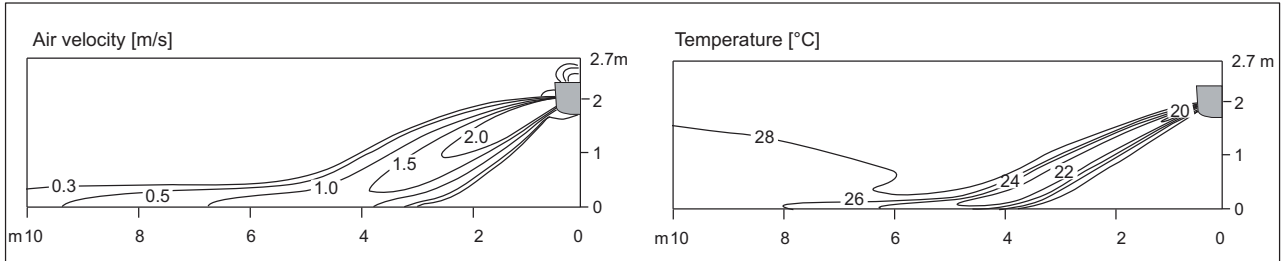
## 6. Air flow and temperature distributions (reference data)

■ Models : AMNW07GSJR0 [AM07BP NSJ], ZMNW07GJRW1 [AM07BK NSJ]

### ◆ Cooling

#### Side View

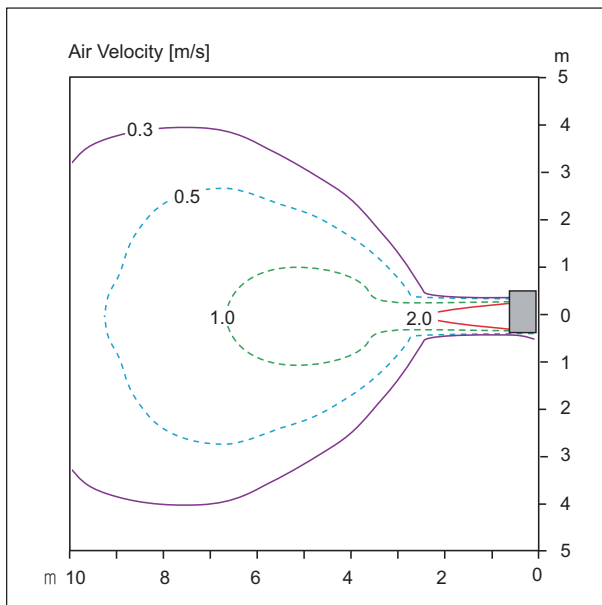
Discharge angle: 35°



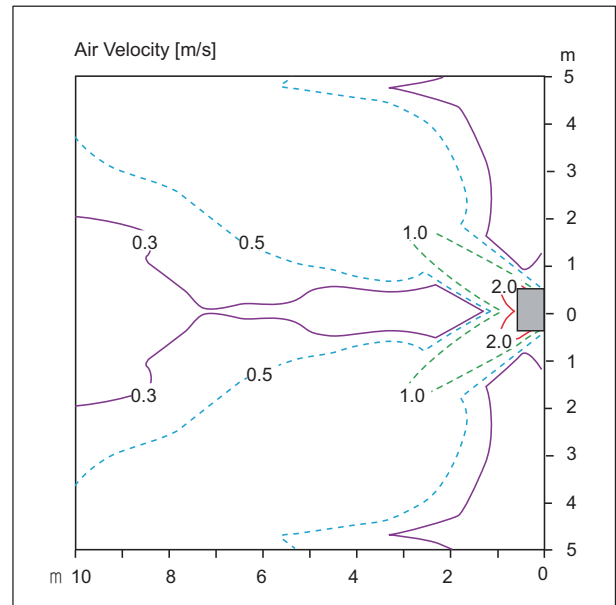
- Vertical Louver : Center
- Fan speed : Super High

#### Top View

Discharge angle: 35°



- Vertical Louver : Center
- Vertical Vane : 0°
- Fan speed : Super High
- Air speed 0.3m/s Range : 11.5m



- Vertical Louver : Left & Right
- Vertical Vane : 55°
- Fan speed : Super High

### Note

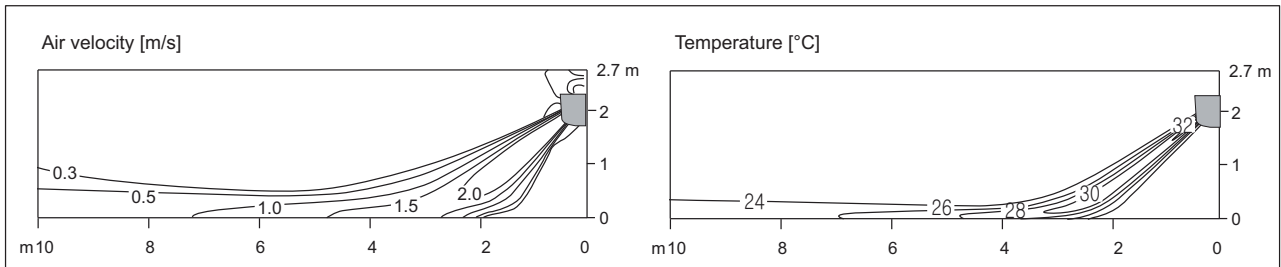
- These figures are accordance with normal certain condition and environment. (Airflow step is 'Super High', Air discharge angle is fixed as indicated angle.)
- Indoor airflow distribution under actual installation or operating conditions depends on ambient temperature, ceiling height, product installation direction / location, indoor / Heating load, and other obstacles, etc.

## 6. Air flow and temperature distributions (reference data)

### ◆ Heating

#### Side View

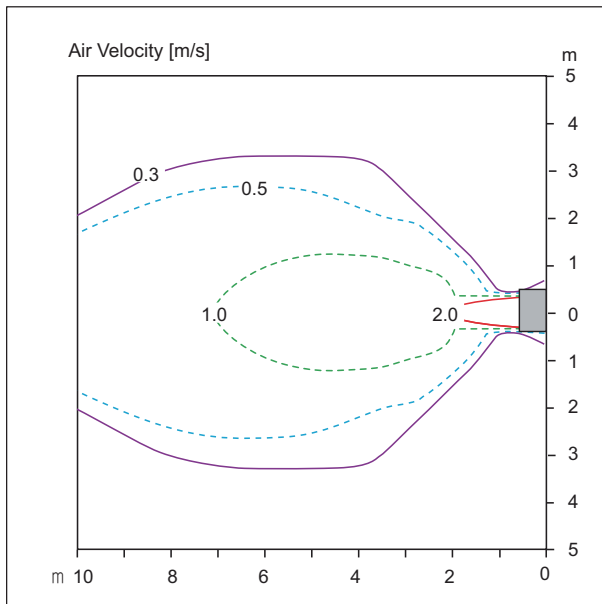
Discharge angle: 55°



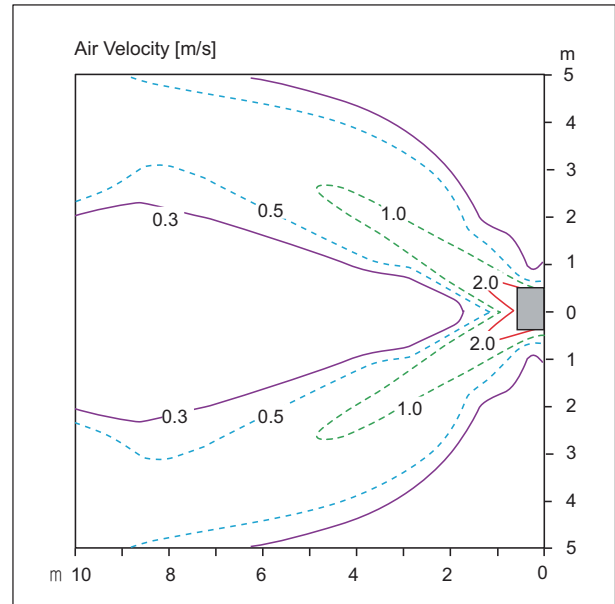
- Vertical Louver : Center
- Fan speed : Super High

#### Top View

Discharge angle: 55°



- Vertical Louver : Center
- Vertical Vane : 0°
- Fan speed : Super High
- Air speed 0.3m/s Range : 13.5m



- Vertical Louver : Left & Right
- Vertical Vane : 55°
- Fan speed : Super High

### Note

- These figures are accordance with normal certain condition and environment. (Airflow step is 'Super High', Air discharge angle is fixed as indicated angle.)
- Indoor airflow distribution under actual installation or operating conditions depends on ambient temperature, ceiling height, product installation direction / location, indoor / Heating load, and other obstacles, etc.

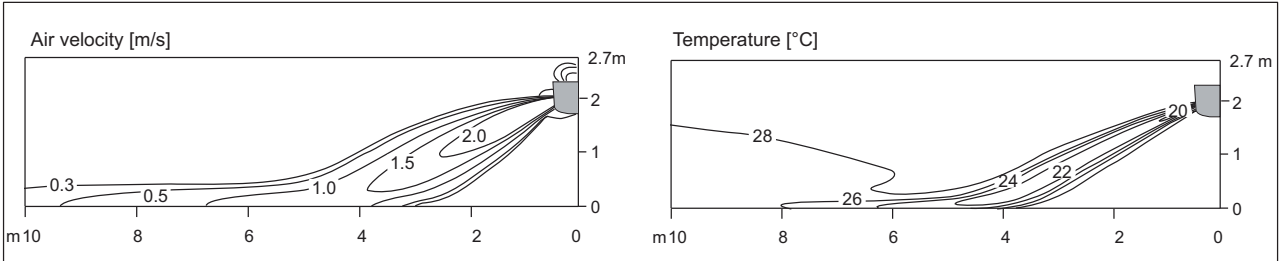
## 6. Air flow and temperature distributions (reference data)

- Models : S3NM09JARZA [AC09BQ NSJ], S3NM12JARZA [AC12BQ NSJ], S3NM09JARMA [AC09BK NSJ], S3NM12JARMA [AC12BK NSJ]

### ◆ Cooling

#### Side View

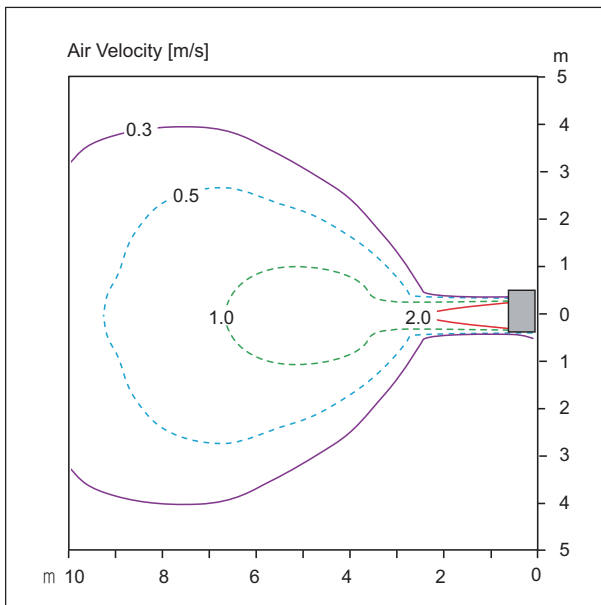
Discharge angle: 35°



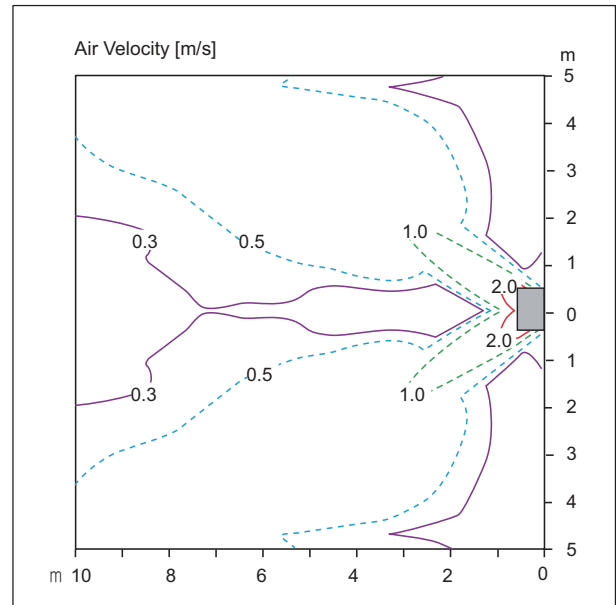
- Vertical Louver : Center
- Fan speed : Super High

#### Top View

Discharge angle: 35°



- Vertical Louver : Center
- Vertical Vane : 0°
- Fan speed : Super High
- Air speed 0.3m/s Range : 11.5m



- Vertical Louver : Left & Right
- Vertical Vane : 55°
- Fan speed : Super High

### Note

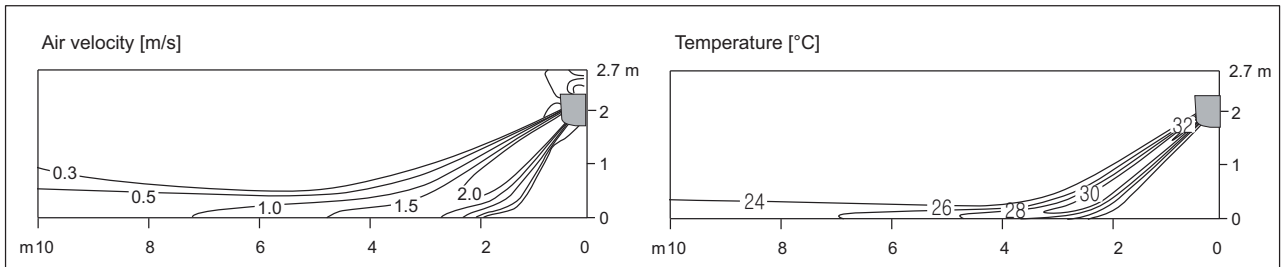
- These figures are accordance with normal certain condition and environment. (Airflow step is 'Super High', Air discharge angle is fixed as indicated angle.)
- Indoor airflow distribution under actual installation or operating conditions depends on ambient temperature, ceiling height, product installation direction / location, indoor / Heating load, and other obstacles, etc.

## 6. Air flow and temperature distributions (reference data)

### ◆ Heating

#### Side View

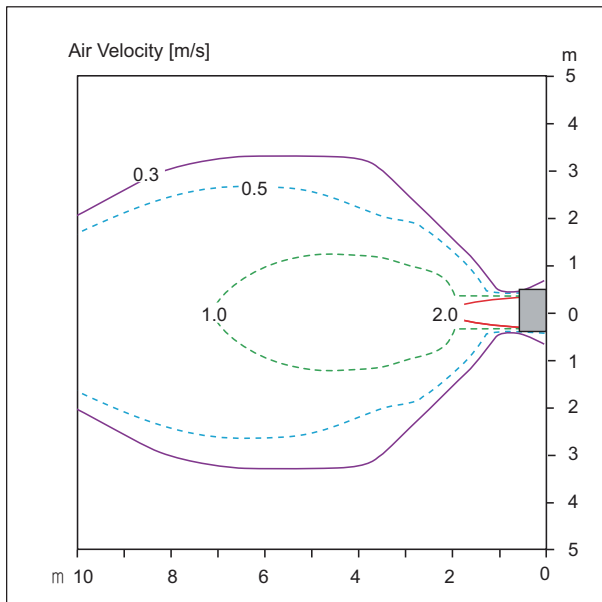
Discharge angle: 55°



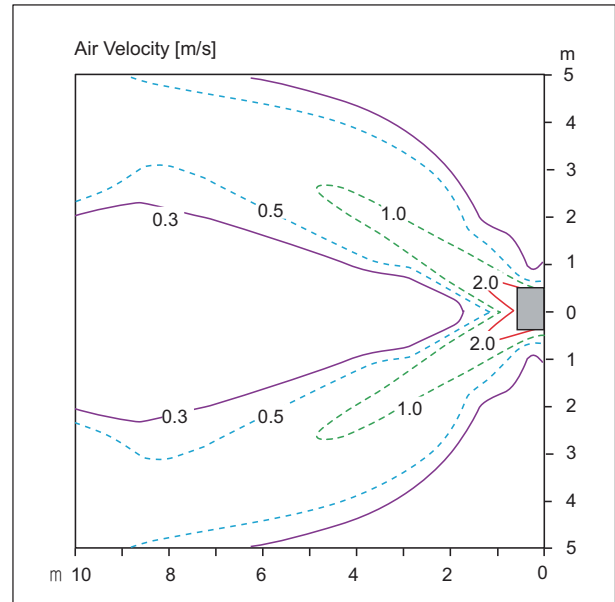
- Vertical Louver : Center
- Fan speed : Super High

#### Top View

Discharge angle: 55°



- Vertical Louver : Center
- Vertical Vane : 0°
- Fan speed : Super High
- Air speed 0.3m/s Range : 13.5m



- Vertical Louver : Left & Right
- Vertical Vane : 55°
- Fan speed : Super High

### Note

- These figures are accordance with normal certain condition and environment. (Airflow step is 'Super High', Air discharge angle is fixed as indicated angle.)
- Indoor airflow distribution under actual installation or operating conditions depends on ambient temperature, ceiling height, product installation direction / location, indoor / Heating load, and other obstacles, etc.

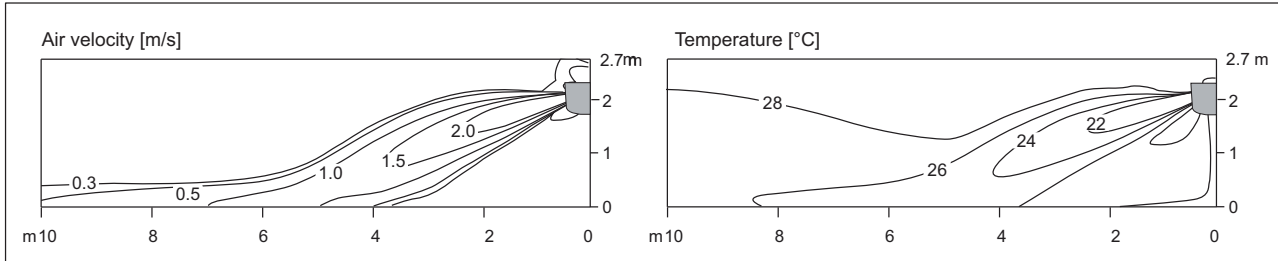
## 6. Air flow and temperature distributions (reference data)

### ■ Models : S3NM18KLRZA[AC18BQ NSK], S3NM18KLRMA [AC18BK NSK]

#### ◆ Cooling

##### Side View

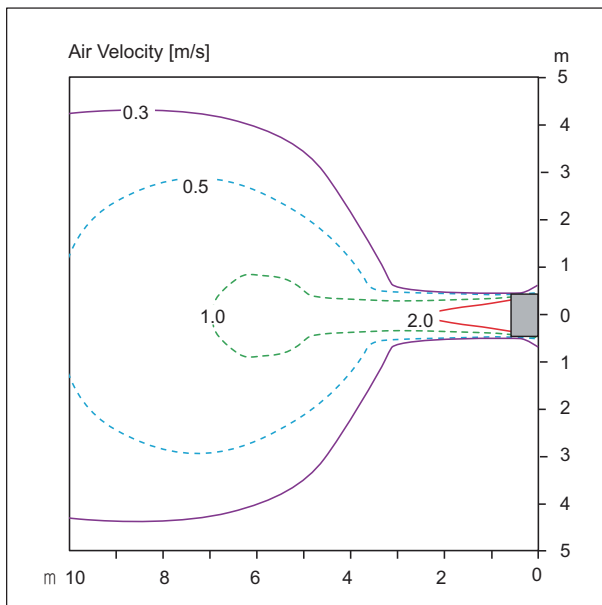
Discharge angle: 25°



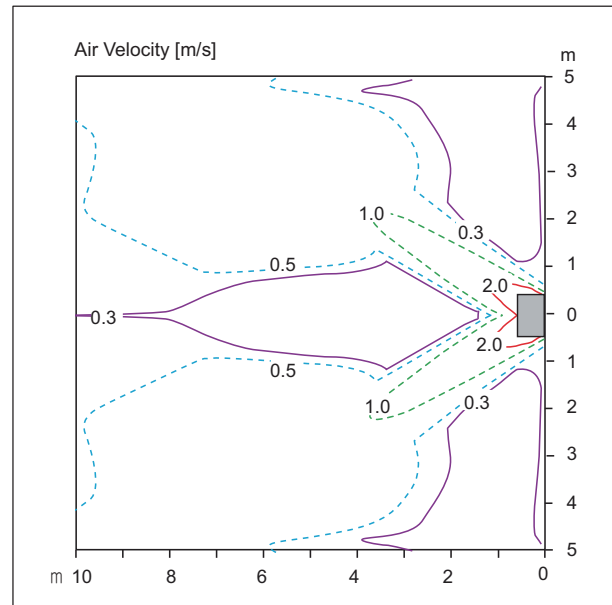
- Vertical Louver : Center
- Fan speed : Super High

##### Top View

Discharge angle: 25°



- Vertical Louver : Center
- Vertical Vane : 0°
- Fan speed : Super High
- Air speed 0.3m/s Range : 12.9m



- Vertical Louver : Left & Right
- Vertical Vane : 50°
- Fan speed : Super High

#### Note

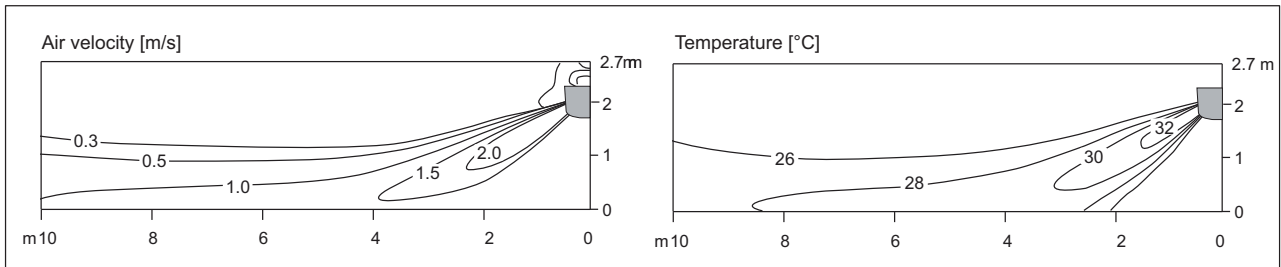
- These figures are accordance with normal certain condition and environment. (Airflow step is 'Super High', Air discharge angle is fixed as indicated angle.)
- Indoor airflow distribution under actual installation or operating conditions depends on ambient temperature, ceiling height, product installation direction / location, indoor / Heating load, and other obstacles, etc.

## 6. Air flow and temperature distributions (reference data)

### ◆ Heating

#### Side View

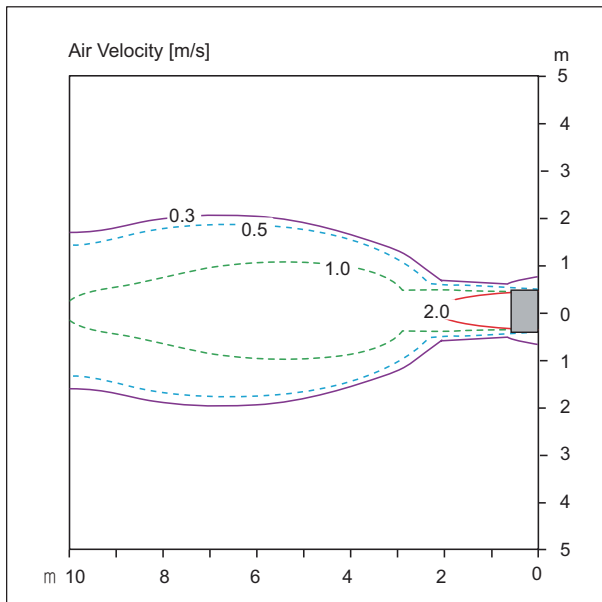
Discharge angle: 45°



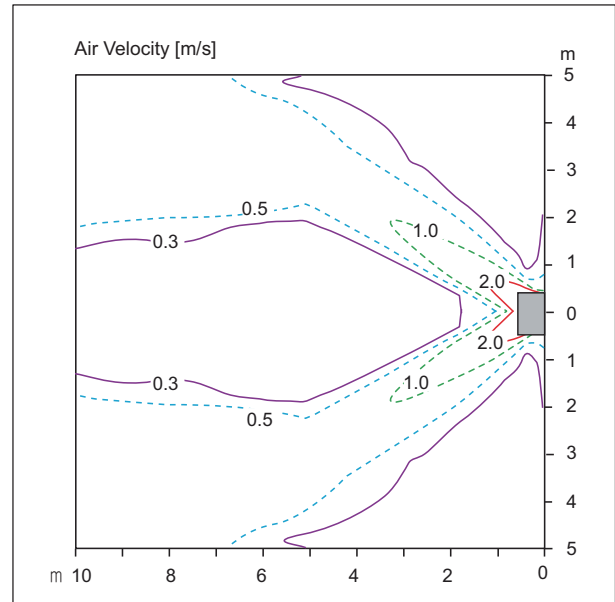
- Vertical Louver : Center
- Fan speed : Super High

#### Top View

Discharge angle: 45°



- Vertical Louver : Center
- Vertical Vane : 0°
- Fan speed : Super High
- Air speed 0.3m/s Range : 20.0m



- Vertical Louver : Left & Right
- Vertical Vane : 50°
- Fan speed : Super High

### Note

- These figures are accordance with normal certain condition and environment. (Airflow step is 'Super High', Air discharge angle is fixed as indicated angle.)
- Indoor airflow distribution under actual installation or operating conditions depends on ambient temperature, ceiling height, product installation direction / location, indoor / Heating load, and other obstacles, etc.

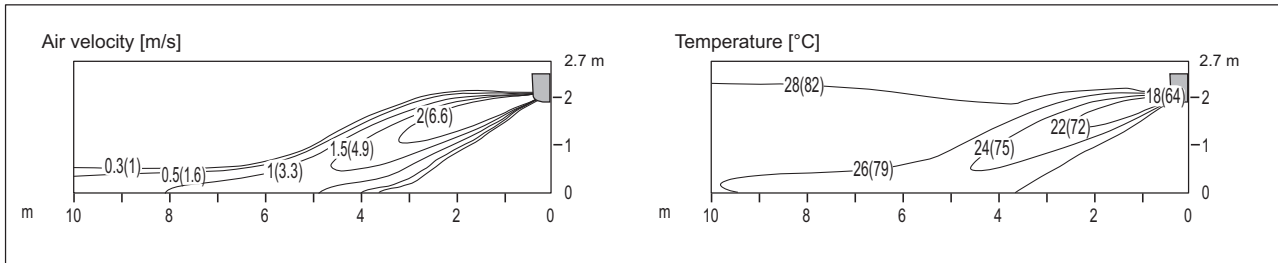
## 6. Air flow and temperature distributions (reference data)

### ■ Models : S3NM24K2RZA[AC24BQ NSK], S3NM24K2RMA [AC24BK NSK]

#### ◆ Cooling

Side View

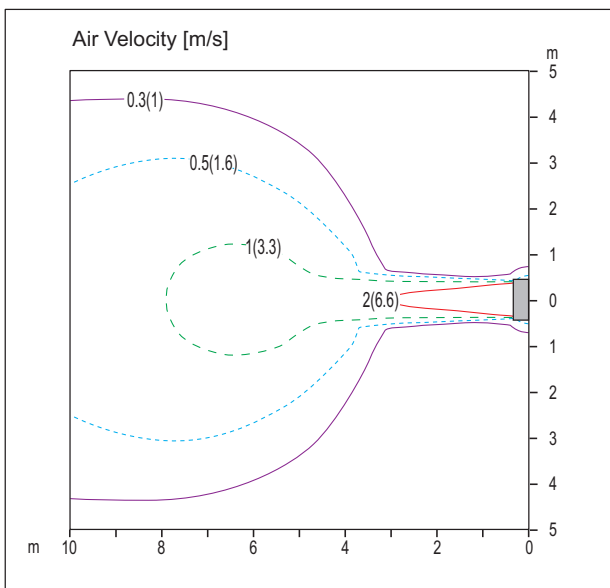
Discharge angle: 25°



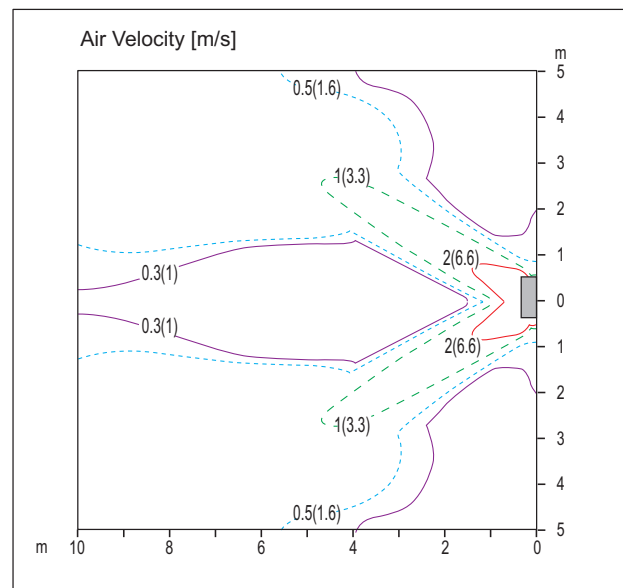
- Vertical Louver : Center
- Fan speed : Super High

Top View

Discharge angle: 25°



- Vertical Louver : Center
- Vertical Vane : 0°
- Fan speed : Super High
- Air speed 0.3m/s Range : 15.4m



- Vertical Louver : Left & Right
- Vertical Vane : 50°
- Fan speed : Super High

#### Note

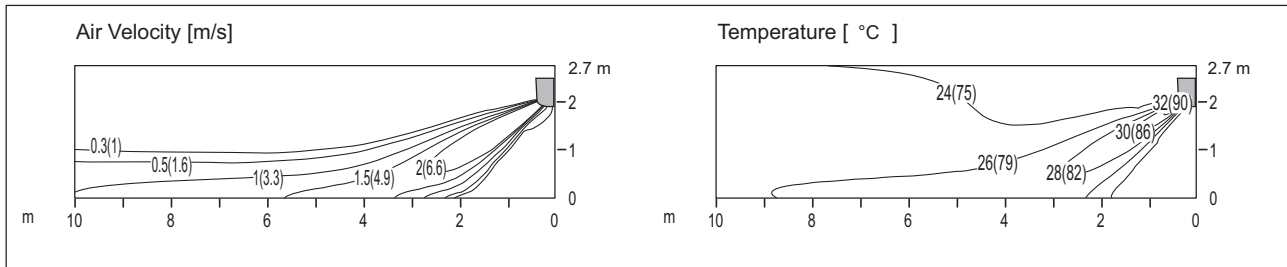
- These figures are accordance with normal certain condition and environment.  
(Airflow step is 'Super High', Air discharge angle is fixed as indicated angle.)
- Indoor airflow distribution under actual installation or operating conditions depends on ambient temperature, ceiling height, product installation direction / location, indoor / Heating load, and other obstacles, etc.

## 6. Air flow and temperature distributions (reference data)

### ◆ Heating

Side View

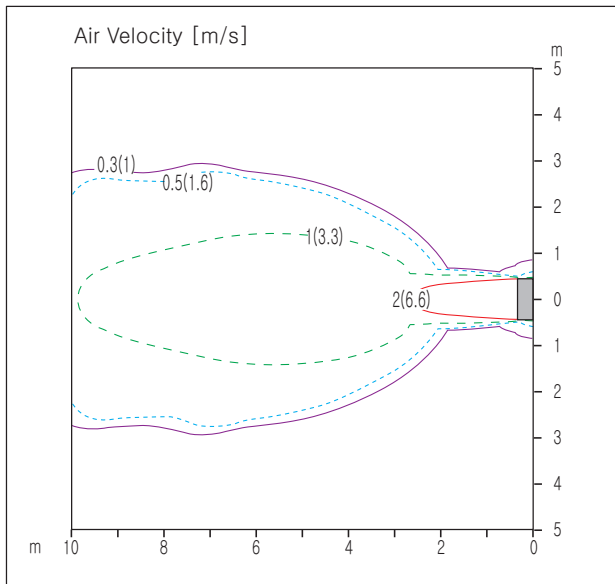
Discharge angle: 45°



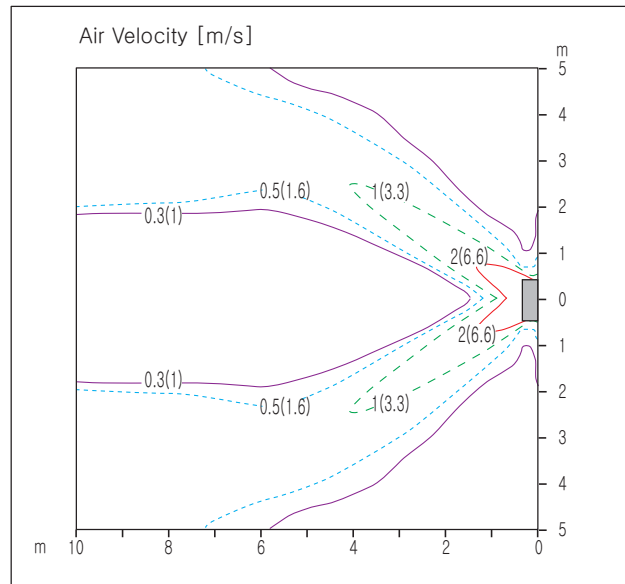
- Vertical Louver : Center
- Fan speed : Super High

### Top View

Discharge angle: 45°



- Vertical Louver : Center
- Vertical Vane : 0°
- Fan speed : Super High
- Air speed 0.3m/s Range : 19.5m



- Vertical Louver : Left & Right
- Vertical Vane : 50°
- Fan speed : Super High

### Note

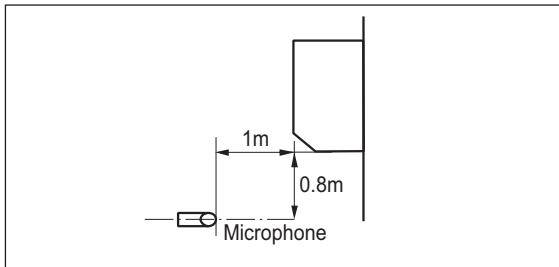
- These figures are accordance with normal certain condition and environment. (Airflow step is 'Super High', Air discharge angle is fixed as indicated angle.)
- Indoor airflow distribution under actual installation or operating conditions depends on ambient temperature, ceiling height, product installation direction / location, indoor / Heating load, and other obstacles, etc.



## 7. Sound levels

### 7.1 Sound pressure level

#### ■ Overall



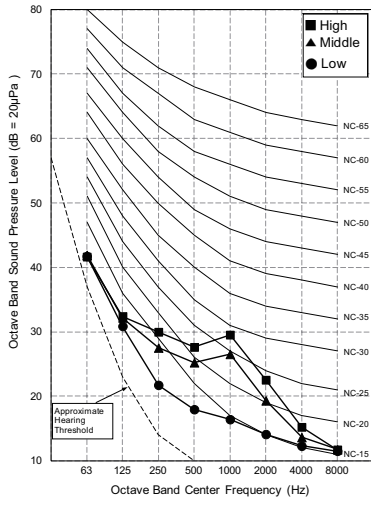
#### Note

1. Sound measured at some distance away from the center of the unit.
2. Data is valid at free field condition.
3. Reference acoustic pressure 0dB = 20 $\mu$ Pa.
4. Data is valid at nominal operation condition.  
Refer to the Model Specifications for nominal conditions (Power source and Ambient temperature, etc)
5. Sound levels can be increased in accordance with installation and operating conditions. (Static pressure mode, used air guide, Room target temperature setting, etc)
6. Sound level will vary depending on a range of factors such as the construction (acoustic absorption coefficient) of particular room in which the equipment is installed.
7. Sound pressure level is measured on the rated condition in the anechoic rooms. (LG Internal Standard)  
Therefore, these values can be increased owing to ambient conditions during operation.

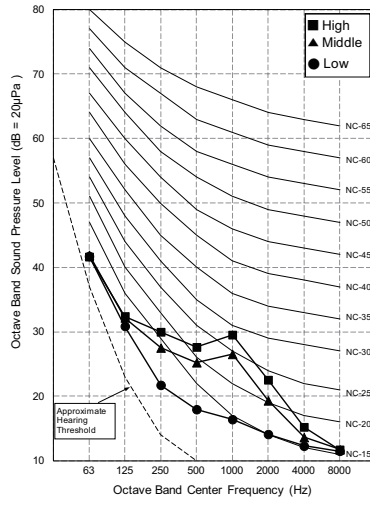
Model	50Hz, 220-240V		
	Sound pressure Levels [dB(A)]		
	H	M	L
AMNW07GSJR0 [AM07BP NSJ]	35	32	27
ZMNW07GJRW1 [AM07BK NSJ]	36	32	26
S3NM09JARZA [AC09BQ NSJ]	38	33	26
S3NM09JARMA [AC09BK NSJ]	38	33	26
S3NM12JARZA [AC12BQ NSJ]	39	35	26
S3NM12JARMA [AC12BK NSJ]	39	35	26
S3NM18KLRZA [AC18BQ NSK]	47	42	34
S3NM18KLRMA [AC18BK NSK]	47	42	34
S3NM24K2RZA [AC24BQ NSK]	47	42	34
S3NM24K2RMA [AC24BK NSK]	47	42	34

# 7. Sound levels

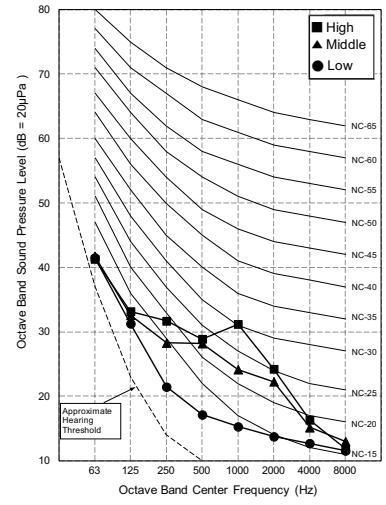
AMNW07GSJR0 [AM07BP NSJ]



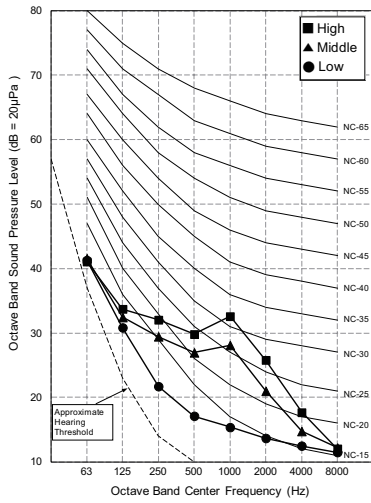
ZMNW07GJRW1 [AM07BK NSJ]



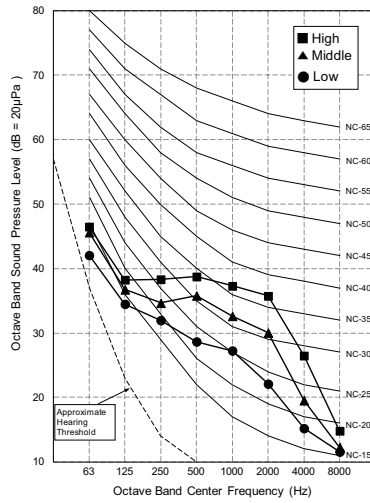
S3NM09JARZA [AC09BQ NSJ]  
S3NM09JARMA [AC09BK NSJ]



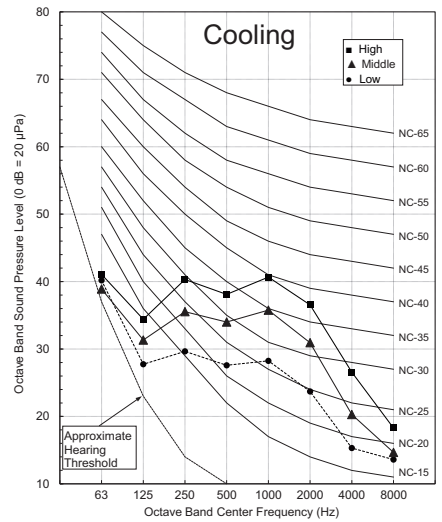
S3NM12JARZA [AC12BQ NSJ]  
S3NM12JARMA [AC12BK NSJ]



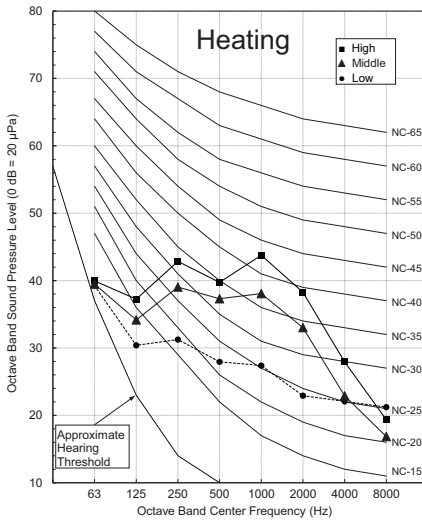
S3NM18KL RZA [AC18BQ NSK]  
S3NM18KL RMA [AC18BK NSK]



S3NM24K2RZA [AC24BQ NSK]  
S3NM24K2RMA [AC24BK NSK]



S3NM24K2RZA [AC24BQ NSK]  
S3NM24K2RMA [AC24BK NSK]



## 7. Sound levels

### 7.2 Sound power level

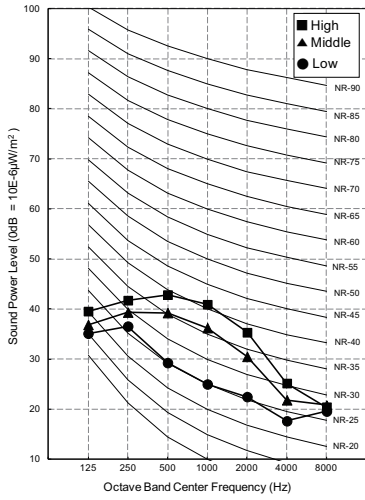
#### Note

1. Data is valid at diffuse field condition.
2. Data is valid at nominal operation condition.  
Refer to the Model Specifications for nominal conditions(Power source and Ambient temperature, etc)
3. Sound level can be increased in static pressure mode or used air guide.
4. Sound level will vary depending on a range of factors such as the construction (acoustic absorption coefficient).
5. Reference acoustic intensity 0dB =  $10E-6\mu W/m^2$
6. Sound power level is measured on the rated condition in the reverberation rooms by ISO 3741 standard.  
Therefore, these values can be increased owing to ambient conditions during operation.

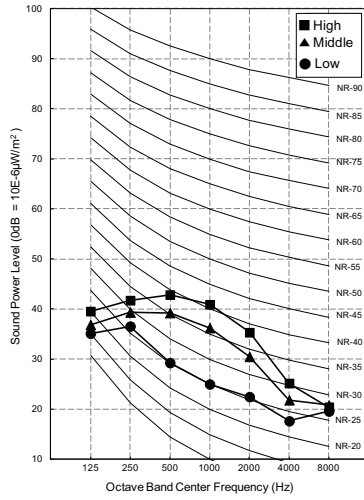
Model	Sound power Levels [dB(A)]
AMNW07GSJR0 [AM07BP NSJ]	57
ZMNW07GJRW1 [AM07BK NSJ]	57
S3NM09JARZA [AC09BQ NSJ]	57
S3NM09JARMA [AC09BK NSJ]	57
S3NM12JARZA [AC12BQ NSJ]	57
S3NM12JARMA [AC12BK NSJ]	57
S3NM18KLRZA [AC18BQ NSK]	59
S3NM18KLRMA [AC18BK NSK]	59
S3NM24K2RZA [AC24BQ NSK]	65
S3NM24K2RMA [AC24BK NSK]	65

# 7. Sound levels

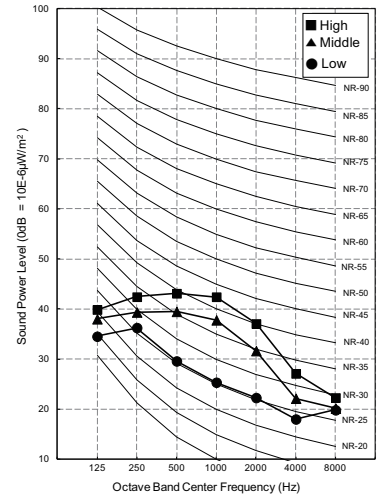
AMNW07GSJR0 [AM07BP NSJ]



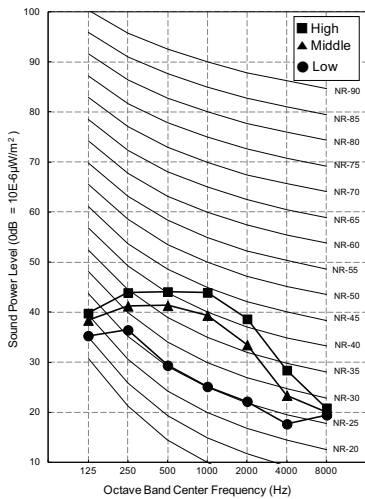
ZMNW07GJRW1 [AM07BK NSJ]



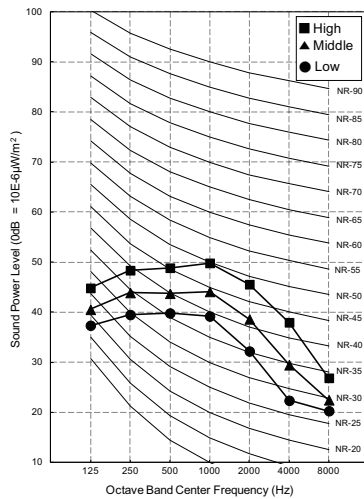
S3NM09JARZA [AC09BQ NSJ]  
S3NM09JARMA [AC09BK NSJ]



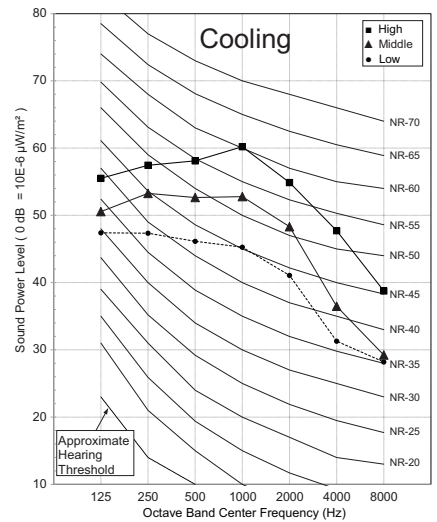
S3NM12JARZA [AC12BQ NSJ]  
S3NM12JARMA [AC12BK NSJ]



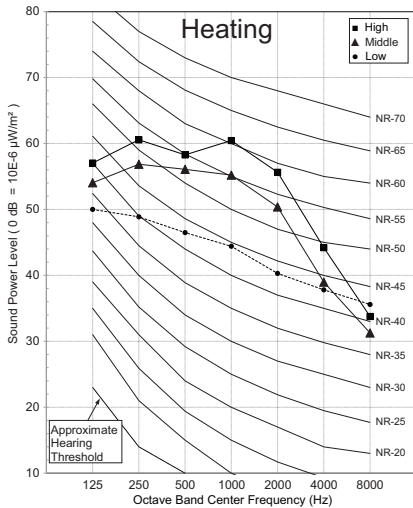
S3NM18KLRZA [AC18BQ NSK]  
S3NM18KLRMA [AC18BK NSK]



S3NM24K2RZA [AC24BQ NSK]  
S3NM24K2RMA [AC24BK NSK]



S3NM24K2RZA [AC24BQ NSK]  
S3NM24K2RMA [AC24BK NSK]

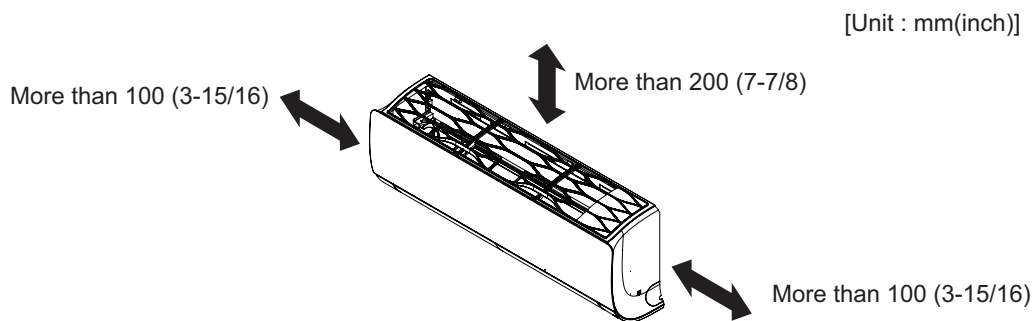


## 8. Installation

- Please read the instruction sheets completely before installing the product.
- When the power cord is damaged, replacement work shall be performed by authorized personnel only.
- Installation work must be performed in accordance with the national wiring standards.
- Teach the customer the operation and maintenance procedures, using the operation manual. (air filter cleaning, temperature control, etc.)

### 8.1 Selection of the best location

- The unit must be installed indoor area.
- Do not install the unit near the door.
- There should not be any obstacles to the air circulation or installation. Ensure the spaces from the wall, ceiling, or other obstacles.
- The place where the indoor unit can be connected with outdoor unit easily.
- The place where the unit is leveled.
- The place shall allow easy water drainage.
- The place where bear a load exceeding four times of the indoor unit weight.
- The mounting ceiling or wall should be solid enough to protect it from the vibration.
- The place where the unit is not affected by an electrical noise.
- The place where noise prevention is taken into consideration.
- The place where the maintenance space for product is sufficient.
- There should not be any heat source or steam near the unit.

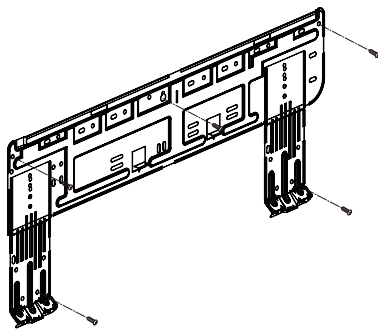


# 8. Installation

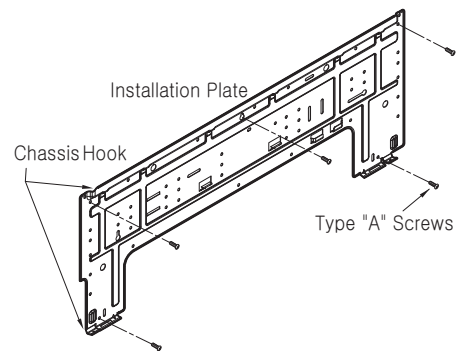
## ■ Fixing Installation Plate

- The wall you select should be strong and solid enough to prevent vibration.
  1. Mount the installation plate on the wall with type "A" screws which are provided with product. (Refer to the Installation manual.) If mounting the unit on a concrete wall, use anchor bolts.
    - Mount the installation plate horizontally by aligning the centerline using Horizontal meter.
  2. Measure the wall and mark the centerline. It is also important to use caution concerning the location of the installation plate. Routing of the wiring to power outlets is through the walls typically. Drilling the hole through the wall for piping connections must be done safely.

**SJ Chassis**

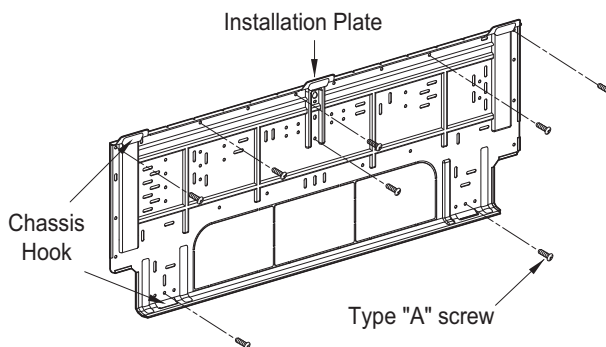


**SK Chassis**



\* According to product type, model line up, sales region..etc, applicability of each chassis could be different.

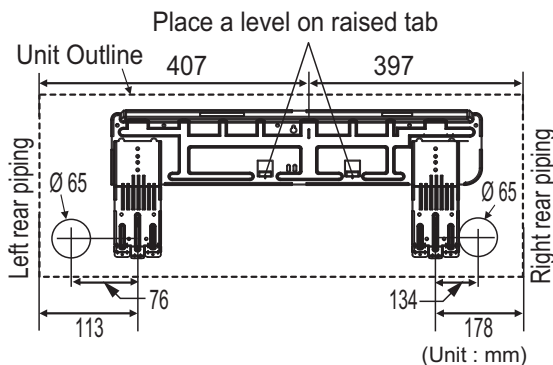
**SV Chassis**



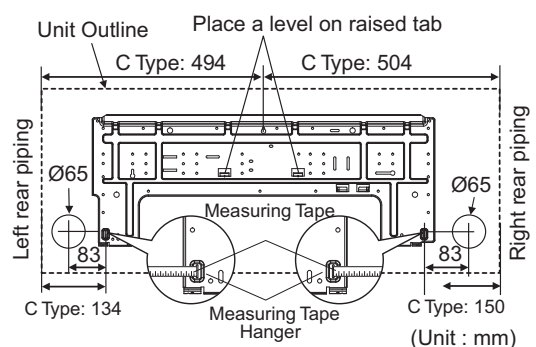
\* According to product type, model line up, sales region..etc, applicability of each chassis could be different.

## ■ The lower left and the right side piping of Installation Plate

**SJ chassis**



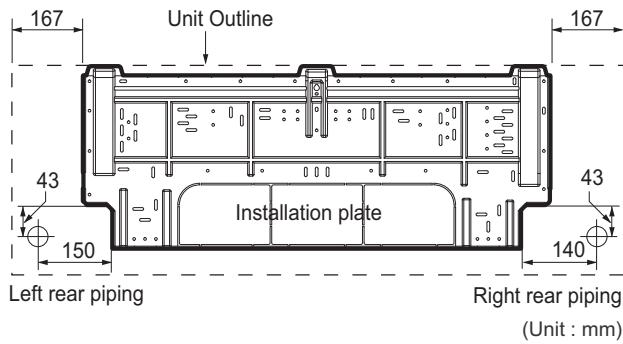
**SK chassis**



\* According to product type, model line up, sales region..etc, applicability of each chassis could be different.

## 8. Installation

### SV chassis



\* According to product type, model line up, sales region..etc, applicability of each chassis could be different.

### **!** CAUTION

In case that the unit is installed near the sea, the installation parts may be corroded by salt. The installation parts (and the unit) should be taken appropriate anti-corrosion measures.

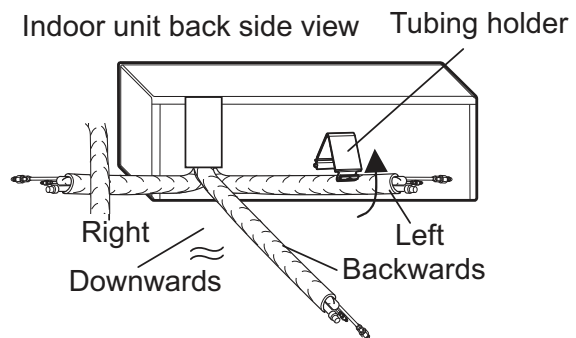
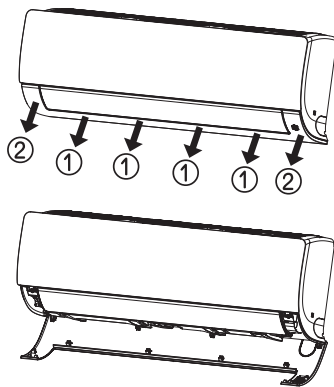
## 8. Installation

### 8.2 Connection of pipes and cables

#### 8.2.1 Preparing work for installation

##### ■ SJ/SK chassis

1. Pull the cover at the bottom of the indoor unit. Pull the cover ①→②.
2. Remove the chassis cover from the unit.
3. Pull back the tubing holder.
4. Remove pipe port cover and positioning the tubing.



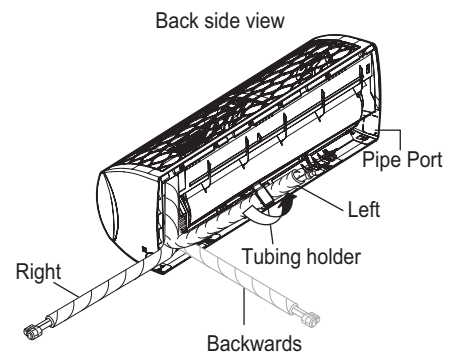
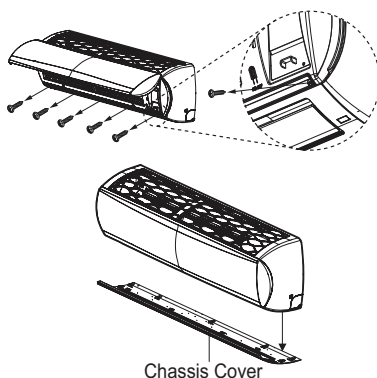
※ The feature can be changed according to type of model.

\* The feature can be changed according to type of model.

\* According to product type, model line up, sales region..etc, applicability of each chassis could be different.

##### ■ SV chassis

1. Open the panel of the indoor unit.
2. Remove the chassis cover from the unit by loosening 5 screws.
3. Pull back the tubing holder.
4. Remove pipe port cover and position the piping.



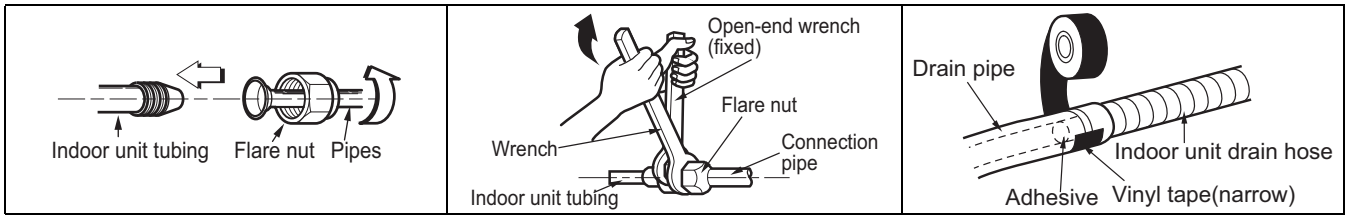
\* The feature can be changed according to type of model.

\* According to product type, model line up, sales region..etc, applicability of each chassis could be different.



## 8. Installation

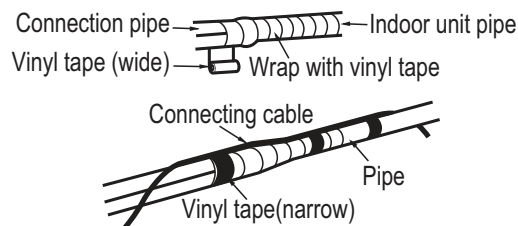
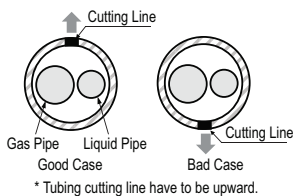
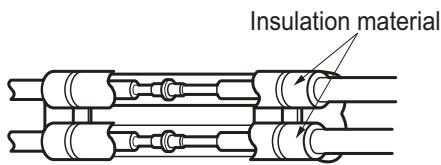
### ■ Connecting the installation pipe and drain hose



1. Align the center of the pipes and sufficiently tighten the flare nut by hand.
2. Tighten the flare nut with a wrench.
3. When needed to extend the drain hose of indoor unit, assembly the drain pipe as shown on the drawing.

### ■ Wrap the insulation material around the connecting portion.

1. Overlap the connection pipe insulation material and the indoor unit pipe insulation material. Bind them together with vinyl tape so that there may be no gap.
2. Set the tubing cutting line upward. Wrap the area which accommodates the rear piping housing section with vinyl tape.
3. Bundle the piping and drain hose together by wrapping them with vinyl tape sufficient enough to cover where they fit into the rear piping housing section. Be sure that the drain hose is located at the lowest side of the bundle. Locating at the upper side can cause overflow from the drain pan through the inside of the unit.



### ⚠ CAUTION

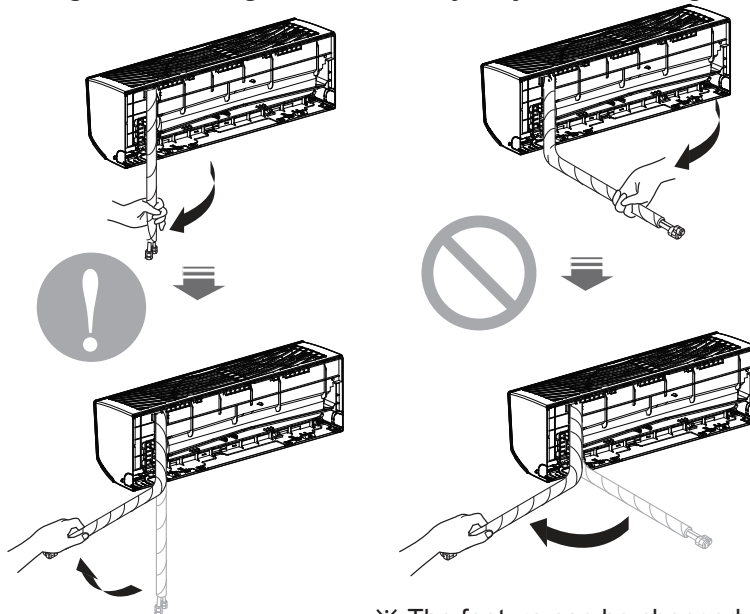
If the drain hose is routed inside the room insulate the hose with an insulation material\* so that dripping from sweating condensation) will not damage furniture or floors.

\* Foamed polyethylene or equivalent is recommended.

## 8. Installation

### ⚠ CAUTION

- Press on the tubing cover and unfold the tubing to downward slowly. And then bend to the left side slowly.
- Following bending case from right to left directly may cause damage to the tubing.



※ The feature can be changed according to type

- Installation Information. For right piping. Follow the instruction above.

### 8.2.2 Installation of Indoor Unit

#### ■ Seat the indoor unit on the installation plate

1. Hook the indoor unit onto the upper portion of the installation plate. (engage the three hooks at the top of the indoor unit with the upper edge of the installation plate) Ensure that the hooks are properly seated on the installation plate by moving it left and right
2. Unlock the tubing holder from the chassis and mount between the chassis and installation plate in order to separate the bottom side of the indoor unit from the wall.

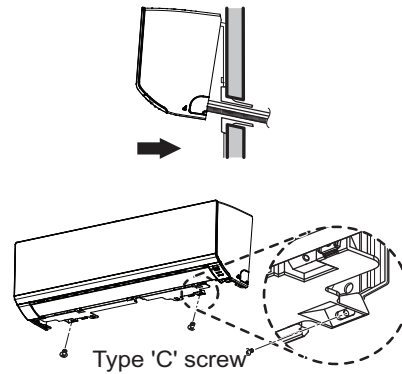


\* The feature can be changed according to type of model.

## 8. Installation

### 8.2.3 Finishing the indoor unit installation

1. Mount the tubing holder in the original position.
2. Ensure that the hooks are properly seated on the installation plate by moving it left and right.
3. Press the lower left and right sides of the unit against the installation plate until the hooks engage into their slots (clicking sound).
4. Finish the assembly by screwing the unit to the installation plate by using two pieces of type "C" screws. And assemble a chassis cover. (SJ/SK chassis) Recover the chassis cover in Original place. (SV chassis)



\* The feature can be changed according to type of model.

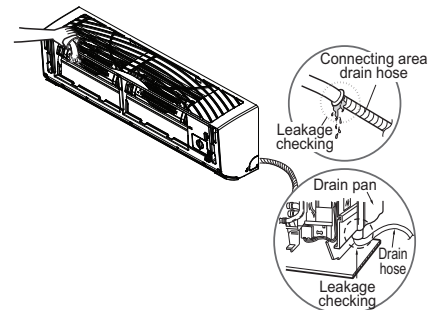
#### **CAUTION**

- The indoor unit can be dropped from the wall, the indoor unit is not screwed correct position on the install plate.
- To avoid the gap between the indoor unit and wall , screw the indoor unit to the install plate correctly.

### 8.2.4 Checking the Drainage

#### ◆ To check the drainage.

1. Pour a glass of water on the evaporator.
2. Ensure the water flows through the drain hose of the indoor unit without any leakage and goes out the drain exit.

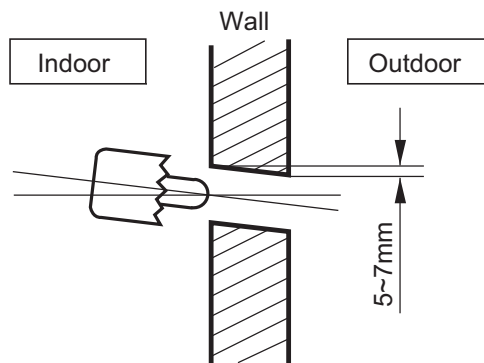


\* The feature can be changed according to type of model.

## 8. Installation

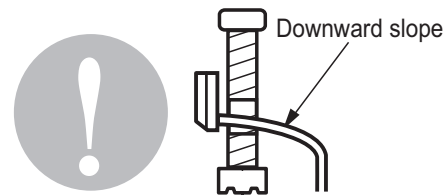
### ◆ Drill a Hole in the wall

1. Drill the piping hole with a  $\varnothing$  70mm hole core drill.  
Drill the piping hole at either the right or the left with the holes slightly slanted to the outdoor side.

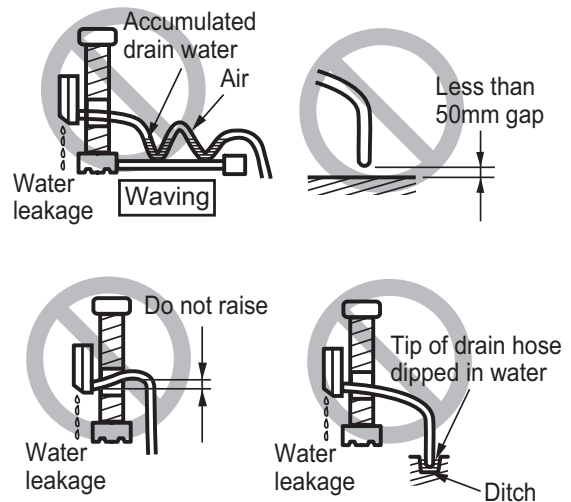


### ◆ Drain Piping

1. The drain hose should point downward for easy drain flow



2. Do not make drain piping like the following.



\* The feature can be changed according to type of model.

## 8. Installation

---

### 8.3 Wiring the cable to the indoor units

#### 8.3.1 General instructions

- All field supplied parts and materials, electric works must conform to local codes. Use copper wire only.
- Follow the "**WIRING DIAGRAM**" attached to the unit body to wire the outdoor unit, indoor units and the remote controller.
- All wiring must be performed by an authorized electrician.
- A circuit breaker capable of shutting down the power supply to the entire system must be installed.

#### CAUTION

After the confirmation of the above conditions, prepare the wiring as follows:

- Never fail to have separate power specially for the air conditioner.
- Provide a circuit breaker switch between power source and the unit.
- Confirm the Specification of power source.
- Confirm that electrical capacity is sufficient.
- Be sure that the starting voltage is maintained at more than 90 percent of the rated voltage marked on the name plate.
- Confirm that the cable thickness is as specified in the power sources specification.  
(Particularly note the relation between cable length and thickness.)
- Do not install the leakage breaker in a place which is wet or moist.  
Water or moist may cause short circuit.
- The following troubles would be caused by voltage drop-down.
  - » Vibration of a magnetic switch, damage on the contact point there of, fuse breaking, disturbance to the normal function of a overload protection device.
  - » Proper starting power is not given to the compressor.

#### 8.3.2 Wiring connection

- Connect the wires to the terminals on the control board individually according to the outdoor unit connection.
- Ensure that the color of the wires of outdoor unit and the terminal No. are the same as those of indoor unit respectively.
- In case of the system with multiple indoor units, mark each indoor unit as unit A, unit B, etc and be sure the terminal board wiring to the outdoor unit and indoor units are properly matched. If wiring and piping between the outdoor unit and an indoor unit are mismatched, the system may cause a malfunction.

#### 8.3.3 Clamping of cables

1. Arrange 2 power cables on the control panel.
2. First, fasten the steel clamp with a screw to the inner boss of control panel.
3. For connecting of communication (transmission) cable, put the cable(or thinner cable) on the clamp and tighten it with a plastic clamp to the other boss of the control panel. In case that communication (transmission) cable is not needed to connect, fix the other side of the clamp with a screw strongly.

## 8. Installation

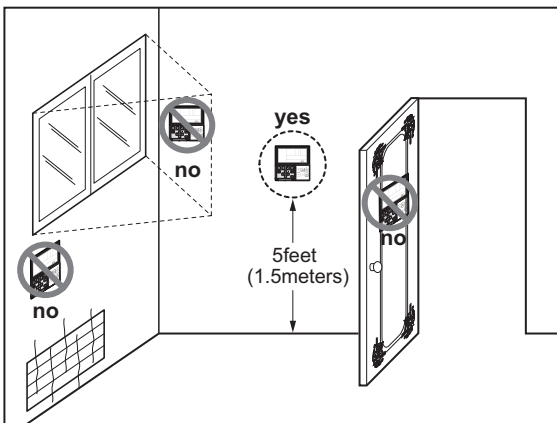
### ⚠ WARNING

- Make sure that the screws of the terminal are fixed tightly.
- The screw which fasten the wiring in the casing of electrical fittings are liable to come loose from vibrations to which the unit is subjected during the course of transportation. Check them and make sure that they are all tightly fastened. (If they are loose, it could give rise to burn-out of the wires.)
- Make sure to attach the sealing material or (field supplied) to hole of wiring to prevent the infiltration of foreign particle from outside. Otherwise a short-circuit may occur inside the electric parts box.
- When clamping the wires, be sure no pressure is applied to the wire connections by using the included clamping material to make appropriate clamps. Also, when wiring, make sure the cover on the electric parts box fits snugly by arranging the wires neatly and attaching the electric parts box cover firmly. When attaching the electric parts box cover, make sure no wires get caught in the edges. Pass wiring through the wiring through holes to prevent damage to them.
- Make sure the remote controller wiring, the wiring between the units, and other electrical wiring do not pass through the same locations outside of the unit, separating them properly, otherwise electrical noise (external static) could cause product malfunction.

### 8.3.4 Wired Remote Controller Installation (Optional)

Since the room temperature sensor is in the remote controller, the remote controller box should be installed in a place away from direct sunlight, high humidity and direct supply of cold air to maintain proper space temperature.

Install the remote controller about 5ft(1.5m) above the floor in an area with good air circulation at an average temperature.



#### • Do not install the remote controller where it can be affected by :

- Drafts, or dead spots behind doors and in corners.
- Hot or cold air from ducts.
- Radiant heat from sun or appliances.
- Concealed pipes and chimneys.
- Uncontrolled areas such as an outside wall behind the remote controller.
- This remote controller is equipped with a seven segment LED. display. For proper display of the remote controller LED's, the remote controller should be installed properly. (The standard height is 1.2~1.5 m from floor level.)

# MULTI/SINGLE

Indoor unit

## **ART COOL Color**

- 1.List of Functions**
- 2.Specifications**
- 3.Dimensions**
- 4.Piping diagrams**
- 5.Wiring diagrams**
- 6.Air flow and temperature distribution**
- 7.Sound levels**
- 8.Installation**

# 1. List of functions

## ◆ List of function

Category	Functions	S3NM09JAMMA [AB09BK NSJ], S3NM12JAMMA [AB12BK NSJ] S3NM18KLMMA [AB18BK NSK], S3NM24K2MMA [AB24BK NSK]
Air Flow	Air Supply Outlet	1
	Airflow Direction Control (left & right)	Auto
	Airflow Direction Control (up & down)	Auto
	Auto Swing (left & right)	O
	Auto Swing (up & down)	O
	Airflow Steps (fan/cool/heat)	6 / 6 / 6
	Fan Speed Auto*	Advanced
	Power Cool/Heat	O / O
	Swirl Wind*	X
	Refresh Mode**	X
	Smart Mode**	X
	Indirect Wind*	O
	Direct Wind*	O
Dry Operation	O	
Air Purification	Air Purify	X
	Ionizer	O
	UV-C	O
	Pre-Filter	O
	PM1.0 Filter	X
	Allergy Filter	O
Reliability	Hot Start	O
	Self Diagnosis	O
Convenience	Auto Mode	O
	Auto Dry Operation	O
	Auto Restart	O
	Child Lock*	O
	Forced Operation	O
	Group Control*	X
	Sleep Timer	O
	Turn On/Off Reservation	O
	Schedule*	O
	Two Thermistor Control*	O
External On/Off	X	
Installation	Drain Pump	X
	E.S.P. Control*	X
	High Ceiling Operation*	X
Special Functions	Wi-Fi	Embedded
	Auto Elevation Grille	X
	Human Detection Function**	X
	Floor Detection Function**	X

### Note

- O : Applied, X : Not Applied, - : Unconfirmed or irrelevant  
Embedded : A kit is provided by default for using this function when the product is manufactured.  
Accessory : Ordered and purchased separately the accessory package referring to the model name provided and install at field. Accessory line-ups varies by region, so check your local catalogue or local sales material.
- Some functions can be limited by remote controller.
- In case of cassette type indoor units, Air Purification Kit and Auto Elevation Grille functions are not applicable at the same time.
- 'Auto Mode' varies depending on the outdoor unit type.  
- Auto Change Over(Single Heat Pump Outdoor Unit)  
- Auto Mode Select(Multi Heat Pump Outdoor Unit)  
- Auto Intensity Control(Cooling Only Outdoor Unit)
- \* : These functions need to connect the wired remote controller.
- \*\* : This functions need to connect to the Standard III wired remote controller.



# 1. List of functions

## ◆ Accessory Compatibility List

Category		Product	Remark	S3NM09JAMMA [AB09BK NSJ] S3NM12JAMMA [AB12BK NSJ] S3NM18KLMMMA [AB18BK NSK] S3NM24K2MMA [AB24BK NSK]
Wireless Remote Controller		PQWRHQ0FDB	Heat Pump	O (Embedded)
		PWLSSB21H	Heat Pump	O
Wired Remote Controller	Simple	PQRCVCL0Q(W)	Simple	O
		PQRCHCA0Q(W)	for Hotel	O
	Standard	PREMTB001	Standard II (White)	O
		PREMTBB01	Standard II (Black)	O
		PREMTB100	Standard III (White)	O
		PREMTBB10	Standard III (Black)	O
	Premium	PREMTA000(A/B)	Premium	X
Dry contact	Simple Contact	PDRYCB000	Simple Dry Contact	O
	Communication type	PDRYCB400	2 Points Dry Contact (For Setback)	O
		PDRYCB300	For 3rd Party Thermostat	O
		PDRYCB320	For 3rd Party Thermostat (Analog Input)	O
		PDRYCB500	For Modbus	O
Gateway	IDU PI485	PHNFP14A0	Without case	X
		PSNFP14A0	With case	X
ETC	Remote temperature sensor	PQRSTA0	-	X
	Zone controller	ABZCA	-	X
	CO <sub>2</sub> Sensor	PES-C0RV0	For ERV, ERV DX Indoor units	X
	Group control wire	PZCWRCG3	0.25m	X
	2-Remo Control Wire	PZCWRC2	0.25m	X
	Extension Wire	PZCWRC1	10m	O
	Wi-Fi Controller*	PWFMD200	-	O (Embedded)
Human detecting sensor	PTVSA00	-	X	

### Note

1. O: Possible, X: Impossible, -: Not applicable, Embedded: Included with product.
2. \*: Some advanced functions controlled by individual controller cannot be operated.
3. If there is a difference in development time between the product and the remote controller, some functions cannot be operated.
4. Selecting a wireless remote controller in case of ducted type indoor units requires either a connection to the wired remote controller (Standard II) or an IR receiver accessory to be connected to the duct in order to receive the signal.
5. If you need more detail, please refer to the **BECON** PDB or the manual of product. (<http://partner.lge.com/global> : Home> Doc.Library> Product > Control(BECON))
6. Do not install both the IR Receiver and Wired Remote Controller. This may cause malfunctions.

## 2. Specifications

Model Name			S3NM09JAMMA [AB09BK NSJ]	
Power Supply		V, Ø, Hz	220-240, 1, 50	
			220, 1, 60	
Capacity(Nominal)	Cooling	kW	2.5	
	Heating	kW	3.3	
Power Input	Min./Nom./Max.	W	11 / 18 / 30	
Running Current	Min./Nom./Max.	A	0.10 / 0.16 / 0.20	
Casing Color			-	Munsell 9.54Y 8.34/1.31 (RAL 9001)
Dimensions	Body	W x H x D	mm	837 x 308 x 192
		W x H x D	inch	32-15/16 x 12-1/8 x 7-9/16
	Shipping	W x H x D	mm	882 x 385 x 253
		W x H x D	inch	34-23/32 x 15-5/32 x 9-31/32
Weight	Body		kg (lbs)	9.9 (21.8)
	Shipping		kg (lbs)	13.6 (30.0)
Heat Exchanger	(Row x Column x Fins per inch) x No.		-	(2 x 15 x 21) x 1
	Face Area		m <sup>2</sup> (ft <sup>2</sup> )	0.19 (2.05)
	Corrosion Protection		-	PCM
	Fin Type		-	Slit
	Material, Tube / Fin		-	Cu / Al
Fan	Type		-	Cross Flow Fan
	Air Flow Rate	(Cooling) SH / H / M / L	m <sup>3</sup> /min	11.1 / 9.1 / 7.6 / 5.0
			ft <sup>3</sup> /min	392 / 321 / 268 / 177
		(Heating) SH / H / M / L	m <sup>3</sup> /min	- / 9.1 / 7.6 / 5.0
			ft <sup>3</sup> /min	- / 321 / 268 / 177
Fan Motor	Type		-	BLDC
	Output		W x No.	30 x 1
Sound Pressure Level	(Cooling) SH / H / M / L / SL		dB(A)	- / 38 / 33 / 26 / 19
	(Heating) SH / H / M / L / SL		dB(A)	- / 38 / 33 / 26 / -
Sound Power Level	Rated		dB(A)	57
Piping Connections	Liquid		mm(inch)	Ø 6.35 (1/4)
	Gas		mm(inch)	Ø 9.52 (3/8)
	Drain	O.D. / I.D.	mm	21.5 / 16.0
Safety Devices			-	Fuse
			-	Thermal Preotector for Fan Motor
Connections Method			-	Flared
Power and Communication Cable (included Earth)			No. x mm <sup>2</sup>	4C x 0.75

### Note

1. Due to our policy of innovation some specifications may be changed without notification.
2. Wiring cable size must comply with the applicable local and national code. And "Electric characteristics" chapter should be considered for electrical work and design. Especially the power cable and circuit breaker should be selected in accordance with that.
3. Sound Level Values are measured at Noise Measuring chamber accordance with standard. Therefore, these values depend on the ambient conditions and values are normally higher in actual operation(Sound Pressure : LG Internal standard, Sound Power : EN 12102 (ISO 3741).
4. Capacities are net capacities and based on the following conditions. Refer to the Outdoor Unit Specifications for calculating the real capacity.
  - Cooling : Indoor Ambient Temp. 27°CDB / 19°CWB, Outdoor Ambient Temp. 35°CDB / 24°CWB
  - Heating : Indoor Ambient Temp. 20°CDB / 15°CWB, Outdoor Ambient Temp. 7°CDB / 6°CWB
  - Interconnected Pipe is standard length and difference of Elevation (Outdoor ~ Indoor Unit) is 0m.

## 2. Specifications

Model Name			S3NM12JAMMA [AB12BK NSJ]	
Power Supply		V, Ø, Hz	220-240, 1, 50	
			220, 1, 60	
Capacity(Nominal)	Cooling	kW	3.5	
	Heating	kW	4.0	
Power Input	Min./Nom./Max.	W	11 / 19 / 30	
Running Current	Min./Nom./Max.	A	0.10 / 0.17 / 0.20	
Casing Color			-	Munsell 9.54Y 8.34/1.31 (RAL 9001)
Dimensions	Body	W x H x D	mm	837 x 308 x 192
		W x H x D	inch	32-15/16 x 12-1/8 x 7-9/16
	Shipping	W x H x D	mm	882 x 385 x 253
		W x H x D	inch	34-23/32 x 15-5/32 x 9-31/32
Weight	Body		kg (lbs)	9.9 (21.8)
	Shipping		kg (lbs)	13.6 (30.0)
Heat Exchanger	(Row x Column x Fins per inch) x No.		-	(2 x 15 x 21) x 1
	Face Area		m <sup>2</sup> (ft <sup>2</sup> )	0.19 (2.05)
	Corrosion Protection		-	PCM
	Fin Type		-	Slit
	Material, Tube / Fin		-	Cu / Al
Fan	Type		-	Cross Flow Fan
	Air Flow Rate	(Cooling) SH / H / M / L	m <sup>3</sup> /min	11.1 / 9.6 / 8.1 / 5.0
			ft <sup>3</sup> /min	392 / 339 / 286 / 177
		(Heating) SH / H / M / L	m <sup>3</sup> /min	- / 9.6 / 8.1 / 5.0
			ft <sup>3</sup> /min	- / 339 / 286 / 177
Fan Motor	Type		-	BLDC
	Output		W x No.	30 x 1
Sound Pressure Level	(Cooling) SH / H / M / L / SL		dB(A)	- / 39 / 35 / 26 / 19
	(Heating) SH / H / M / L / SL		dB(A)	- / 39 / 35 / 26 / -
Sound Power Level	Rated		dB(A)	57
Piping Connections	Liquid		mm(inch)	Ø 6.35 (1/4)
	Gas		mm(inch)	Ø 9.52 (3/8)
	Drain	O.D. / I.D.	mm	21.5 / 16.0
Safety Devices			-	Fuse
			-	Thermal Preotector for Fan Motor
Connections Method			-	Flared
Power and Communication Cable (included Earth)			No. x mm <sup>2</sup>	4C x 0.75

### Note

- Due to our policy of innovation some specifications may be changed without notification.
- Wiring cable size must comply with the applicable local and national code. And "Electric characteristics" chapter should be considered for electrical work and design. Especially the power cable and circuit breaker should be selected in accordance with that.
- Sound Level Values are measured at Noise Measuring chamber accordance with standard. Therefore, these values depend on the ambient conditions and values are normally higher in actual operation(Sound Pressure : LG Internal standard, Sound Power : EN 12102 (ISO 3741).
- Capacities are net capacities and based on the following conditions. Refer to the Outdoor Unit Specifications for calculating the real capacity.
  - Cooling : Indoor Ambient Temp. 27°CDB / 19°CWB, Outdoor Ambient Temp. 35°CDB / 24°CWB
  - Heating : Indoor Ambient Temp. 20°CDB / 15°CWB, Outdoor Ambient Temp. 7°CDB / 6°CWB
  - Interconnected Pipe is standard length and difference of Elevation (Outdoor ~ Indoor Unit) is 0m.

## 2. Specifications

Model Name			S3NM18KLMMA [AB18BK NSK]	
Power Supply		V, Ø, Hz	220-240, 1, 50	
			220, 1, 60	
Capacity(Nominal)	Cooling	kW	5.0	
	Heating	kW	5.8	
Power Input	Min./Nom./Max.	W	26 / 39 / 60	
Running Current	Min./Nom./Max.	A	0.22 / 0.28 / 0.40	
Casing Color		-	Munsell 9.54Y 8.34/1.31 (RAL 9001)	
Dimensions	Body	W x H x D	mm	998 x 345 x 212
		W x H x D	inch	39-9/32 x 13-19/32 x 8-11/32
	Shipping	W x H x D	mm	1,053 x 424 x 278
		W x H x D	inch	41-15/32 x 16-11/16 x 10-15/16
Weight	Body	kg (lbs)	12.8(28.2)	
	Shipping	kg (lbs)	17.4(38.3)	
Heat Exchanger	(Row x Column x Fins per inch) x No.		-	(2 x 16 x 20) x 1
	Face Area		m <sup>2</sup> (ft <sup>2</sup> )	0.28 (3.01)
	Corrosion Protection		-	PCM
	Fin Type		-	Slit
	Material, Tube / Fin		-	Cu / Al
Fan	Type		-	Cross Flow Fan
	Air Flow Rate	(Cooling) SH / H / M / L	m <sup>3</sup> /min	16.8 / 15.5 / 13.1 / 10.5
			ft <sup>3</sup> /min	593 / 547 / 463 / 371
		(Heating) SH / H / M / L	m <sup>3</sup> /min	- / 15.5 / 13.1 / 10.5
			ft <sup>3</sup> /min	- / 547 / 463 / 371
Fan Motor	Type		-	BLDC
	Output		W x No.	30 x 1
Sound Pressure Level	(Cooling) SH / H / M / L / SL		dB(A)	- / 47 / 42 / 34 / 31
	(Heating) SH / H / M / L / SL		dB(A)	- / 47 / 42 / 34 / -
Sound Power Level	Rated		dB(A)	59
Piping Connections	Liquid		mm(inch)	Ø 6.35 (1/4)
	Gas		mm(inch)	Ø 12.7 (1/2)
	Drain	O.D. / I.D.	mm	21.5 / 16.0
Safety Devices		-	Fuse	
		-	Thermal Preotector for Fan Motor	
Connections Method		-	Flared	
Power and Communication Cable (included Earth)		No. x mm <sup>2</sup>	4C x 0.75	

### Note

1. Due to our policy of innovation some specifications may be changed without notification.
2. Wiring cable size must comply with the applicable local and national code. And "Electric characteristics" chapter should be considered for electrical work and design. Especially the power cable and circuit breaker should be selected in accordance with that.
3. Sound Level Values are measured at Noise Measuring chamber accordance with standard. Therefore, these values depend on the ambient conditions and values are normally higher in actual operation(Sound Pressure : LG Internal standard, Sound Power : EN 12102 (ISO 3741).
4. Capacities are net capacities and based on the following conditions. Refer to the Outdoor Unit Specifications for calculating the real capacity.
  - Cooling : Indoor Ambient Temp. 27°CDB / 19°CWB, Outdoor Ambient Temp. 35°CDB / 24°CWB
  - Heating : Indoor Ambient Temp. 20°CDB / 15°CWB, Outdoor Ambient Temp. 7°CDB / 6°CWB
  - Interconnected Pipe is standard length and difference of Elevation (Outdoor ~ Indoor Unit) is 0m.

## 2. Specifications

Model Name			S3NM24K2MMA [AB24BK NSK]	
Power Supply		V, Ø, Hz	220-240, 1, 50	
			220, 1, 60	
Capacity(Nominal)	Cooling	kW	6.6	
	Heating	kW	7.5	
Power Input	Min./Nom./Max.	W	27 / 45 / 60	
Running Current	Min./Nom./Max.	A	0.24 / 0.33 / 0.40	
Casing Color		-	Munsell 9.54Y 8.34/1.31 (RAL 9001)	
Dimensions	Body	W x H x D	mm	998 x 345 x 212
		W x H x D	inch	39-9/32 x 13-19/32 x 8-11/32
	Shipping	W x H x D	mm	1,053 x 424 x 278
		W x H x D	inch	41-15/32 x 16-11/16 x 10-15/16
Weight	Body	kg (lbs)	13.5 (29.8)	
	Shipping	kg (lbs)	18.3 (40.3)	
Heat Exchanger	(Row x Column x Fins per inch) x No.		-	(2 x 16 x 20) x 1
	Face Area		m <sup>2</sup> (ft <sup>2</sup> )	0.28 (3.01)
	Corrosion Protection		-	PCM
	Fin Type		-	Slit
	Material, Tube / Fin		-	Cu / Al
Fan	Type		-	Cross Flow Fan
	Air Flow Rate	(Cooling) SH / H / M / L	m <sup>3</sup> /min	18.3 / 16.1 / 13.1 / 10.5
			ft <sup>3</sup> /min	646 / 569 / 463 / 371
		(Heating) SH / H / M / L	m <sup>3</sup> /min	- / 16.1 / 13.1 / 10.5
			ft <sup>3</sup> /min	- / 569 / 463 / 371
Fan Motor	Type		-	BLDC
	Output		W x No.	60 x 1
Sound Pressure Level		(Cooling) SH / H / M / L / SL	dB(A)	- / 47 / 42 / 34 / 31
		(Heating) SH / H / M / L / SL	dB(A)	- / 47 / 42 / 34 / -
Sound Power Level		Rated	dB(A)	65
Piping Connections	Liquid		mm(inch)	Ø 6.35 (1/4)
	Gas		mm(inch)	Ø 15.88 (5/8)
	Drain	O.D. / I.D.	mm	21.5 / 16.0
Safety Devices				Fuse
				Thermal Preotector for Fan Motor
Connections Method				Flared
Power and Communication Cable (included Earth)		No. x mm <sup>2</sup>	4C x 0.75	

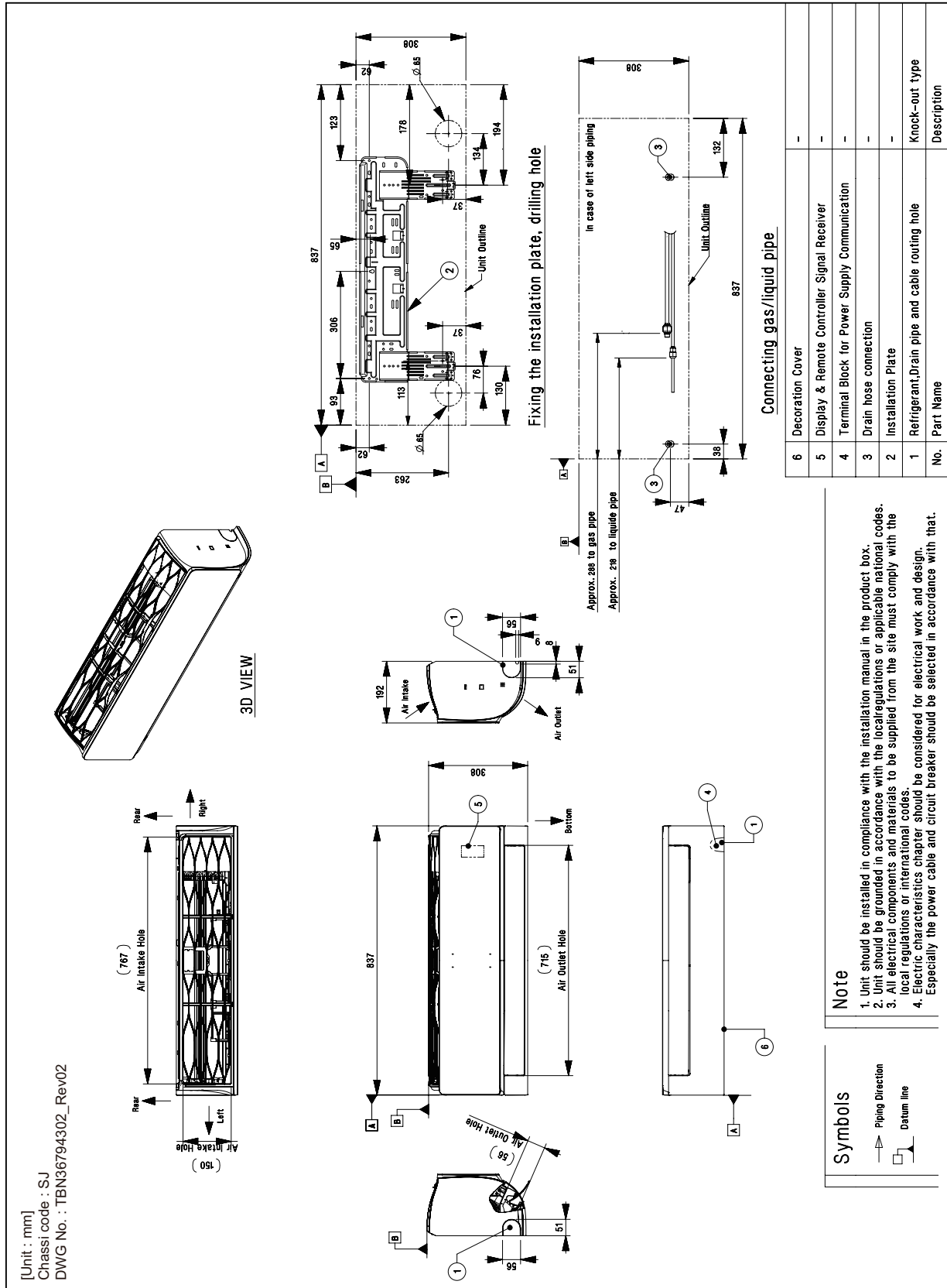
### Note

1. Due to our policy of innovation some specifications may be changed without notification.
2. Wiring cable size must comply with the applicable local and national code. And "Electric characteristics" chapter should be considered for electrical work and design. Especially the power cable and circuit breaker should be selected in accordance with that.
3. Sound Level Values are measured at Noise Measuring chamber accordance with standard. Therefore, these values depend on the ambient conditions and values are normally higher in actual operation(Sound Pressure : LG Internal standard, Sound Power : EN 12102 (ISO 3741).
4. Capacities are net capacities and based on the following conditions. Refer to the Outdoor Unit Specifications for calculating the real capacity.
  - Cooling : Indoor Ambient Temp. 27°CDB / 19°CWB, Outdoor Ambient Temp. 35°CDB / 24°CWB
  - Heating : Indoor Ambient Temp. 20°CDB / 15°CWB, Outdoor Ambient Temp. 7°CDB / 6°CWB
  - Interconnected Pipe is standard length and difference of Elevation (Outdoor ~ Indoor Unit) is 0m.

# 3. Dimensions

## ◆ ARTCOOL Color (SJ Chassis)

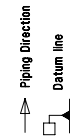
S3NM09JAMMA [AB09BK NSJ], S3NM12JAMMA [AB12BK NSJ]



**Note**

1. Unit should be installed in compliance with the installation manual in the product box.
2. Unit should be grounded in accordance with the local regulations or applicable national codes.
3. All electrical components and materials to be supplied from the site must comply with the local regulations or international codes.
4. Electric characteristics chapter should be considered for electrical work and design. Especially the power cable and circuit breaker should be selected in accordance with that.

**Symbols**



# 3. Dimensions

## ◆ ARTCOOL Color (SK Chassis)

S3NM18KLMMA [AB18BK NSK], S3NM24K2MMA [AB24BK NSK]

[Unit: mm]

Chassis : SK

DWG No. : TBJ36794502\_Rev01

3D VIEW

Top View Dimensions

Front View Dimensions

Side View Dimensions

Bottom View Dimensions

**Fixing the installation plate, drilling hole**

**Connecting gas/liquid pipe**

In case of left side piping

Approx. 240 to gas pipe

Approx. 180 to liquid pipe

**Note**

- Unit should be installed in compliance with the installation manual in the product box.
- Unit should be grounded in accordance with the local regulations or applicable national codes.
- All electrical components and materials to be supplied from the site must comply with the local regulations or international codes.
- Electric characteristics Chapter should be considered for electrical work and design. Especially the power cable and circuit breaker should be selected in accordance with that.

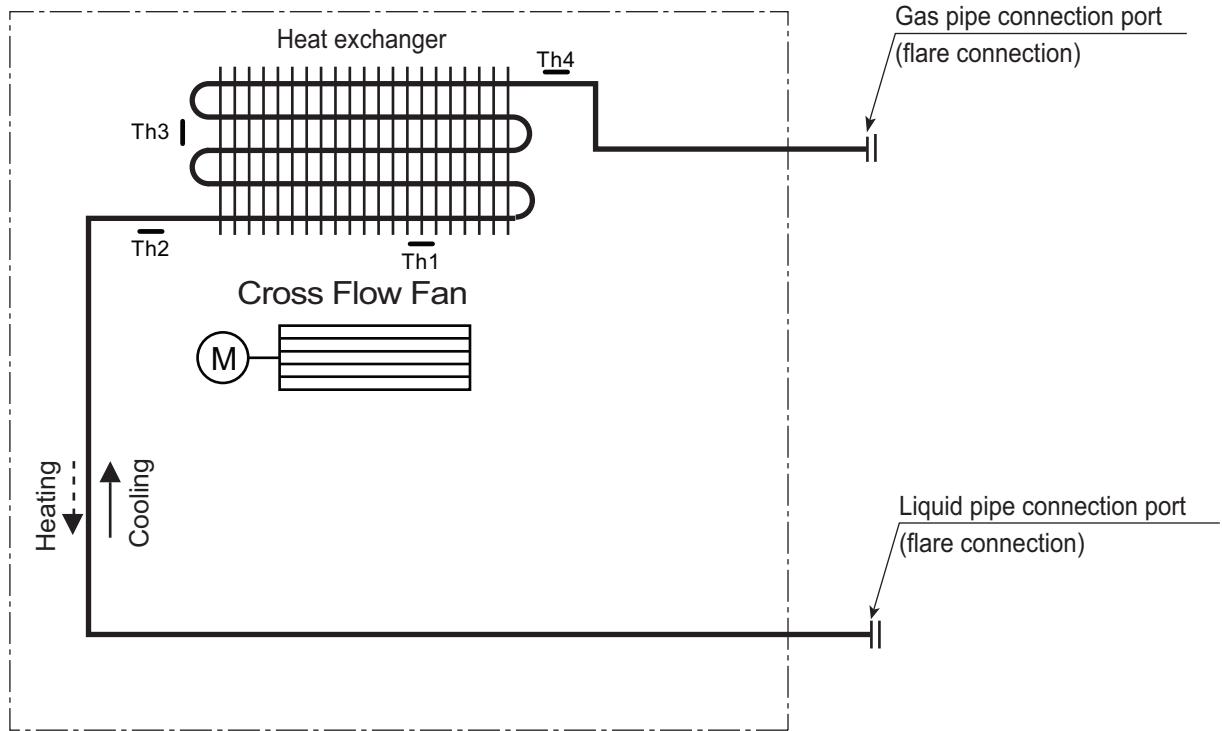
**Symbols**

↑ Piping Direction

□ Datum line

No.	Part Name	Description
6	Decoration Cover	-
5	Display & Remote Controller Signal Receiver	-
4	Terminal Block for Power Supply and Communication	-
3	Drain hose connection	-
2	Installation Plate	-
1	Refrigerant/Drain pipe and cable routing hole	Knock-out type

# 4. Piping diagrams

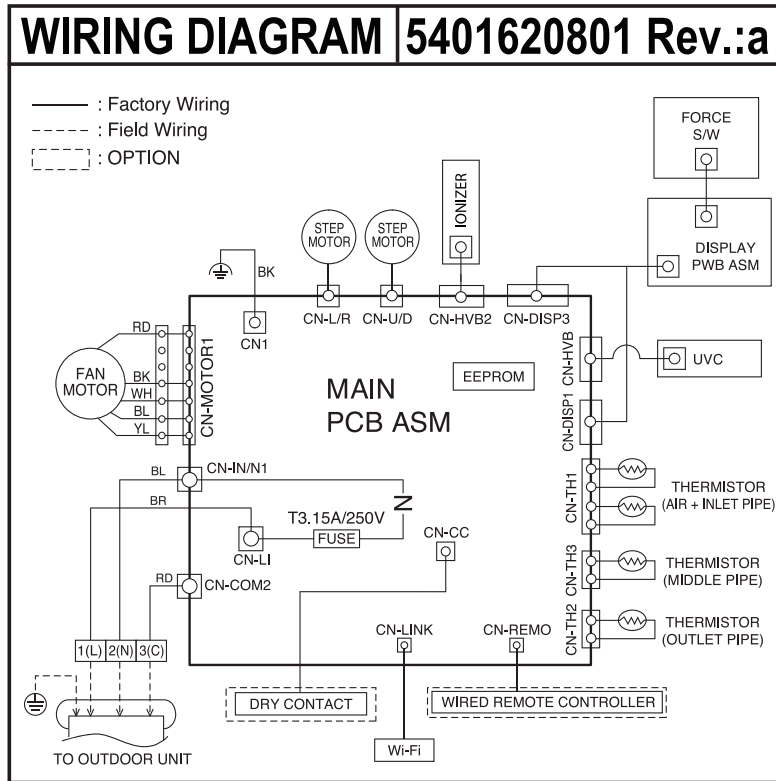


LOC.	Description	PCB Connector
Th1	Thermistor for suction air temperature	CN-TH1
Th2	Thermistor for evaporator inlet temperature	
Th3	Thermistor for evaporator middle temperature	CN-TH3
Th4	Thermistor for evaporator outlet temperature	CN-TH2



# 5. Wiring Diagrams

- Models : S3NM09JAMMA [AB09BK NSJ], S3NM12JAMMA [AB12BK NSJ], S3NM18KLMMA [AB18BK NSK], S3NM24K2MMA [AB24BK NSK]



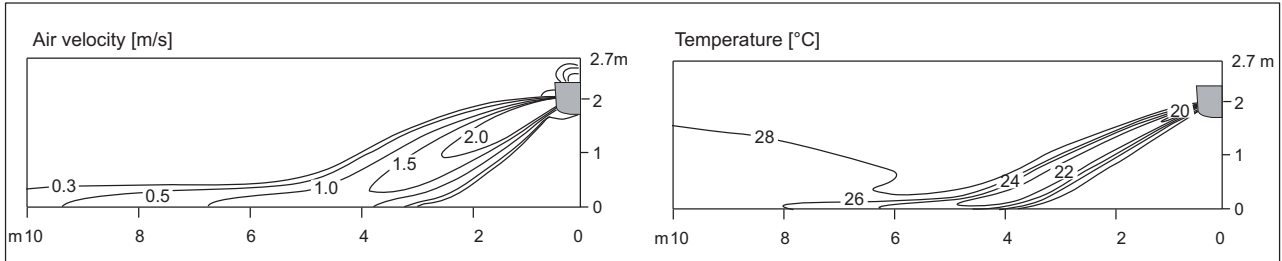
## 6. Air flow and temperature distributions (reference data)

### ■ Models : S3NM09JAMMA [AB09BK NSJ], S3NM12JAMMA [AB12BK NSJ]

#### ◆ Cooling

##### Side View

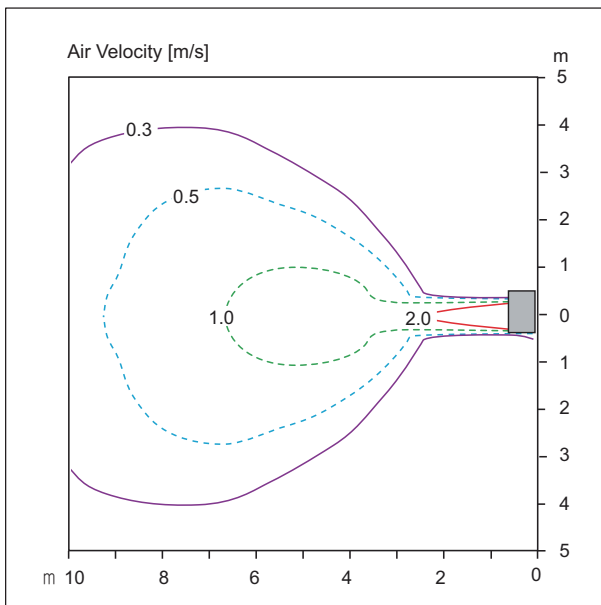
Discharge angle: 35°



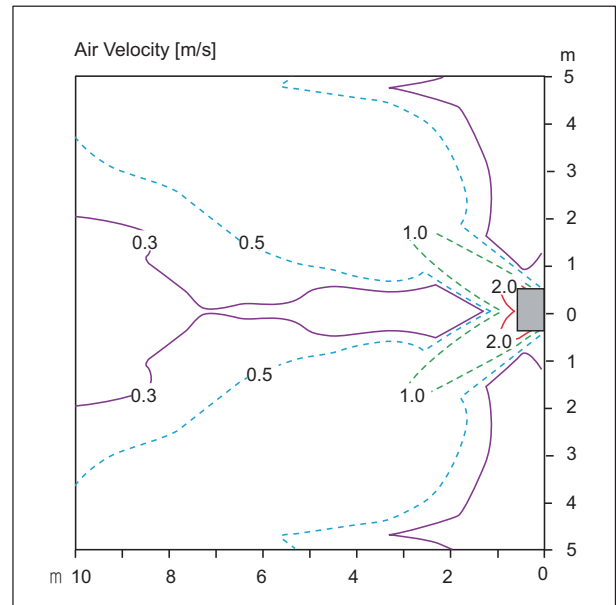
- Vertical Louver : Center
- Fan speed : Super High

##### Top View

Discharge angle: 35°



- Vertical Louver : Center
- Vertical Vane : 0°
- Fan speed : Super High
- Air speed 0.3m/s Range : 11.5m



- Vertical Louver : Left & Right
- Vertical Vane : 55°
- Fan speed : Super High

#### Note

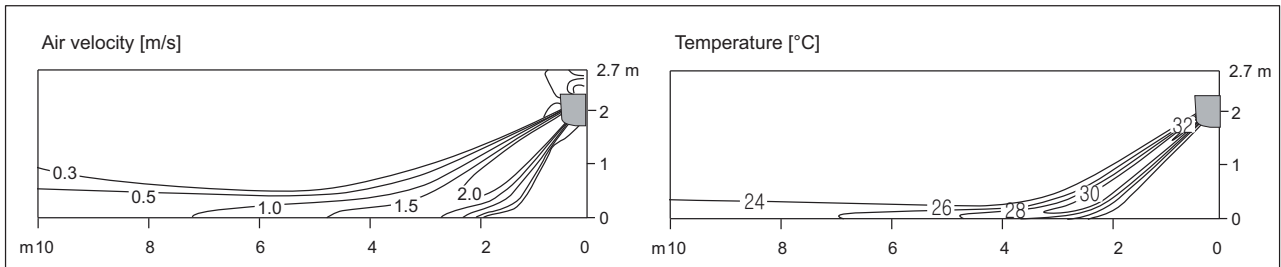
- These figures are accordance with normal certain condition and environment. (Airflow step is 'Super High', Air discharge angle is fixed as indicated angle.)
- Indoor airflow distribution under actual installation or operating conditions depends on ambient temperature, ceiling height, product installation direction / location, indoor / Heating load, and other obstacles, etc.

## 6. Air flow and temperature distributions (reference data)

### ◆ Heating

#### Side View

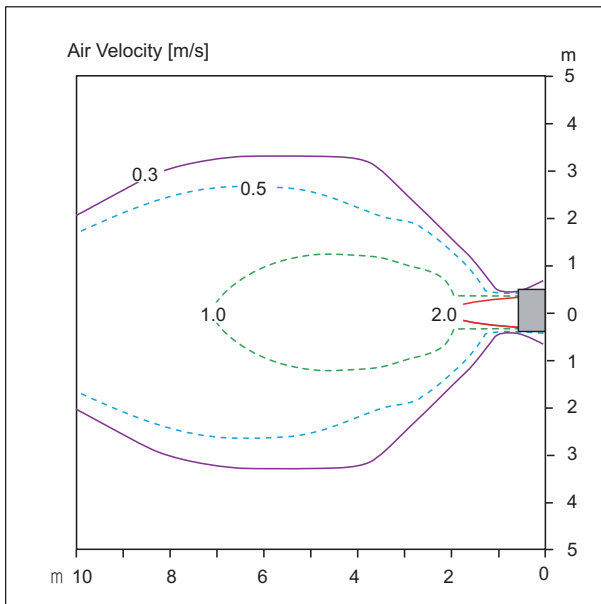
Discharge angle: 55°



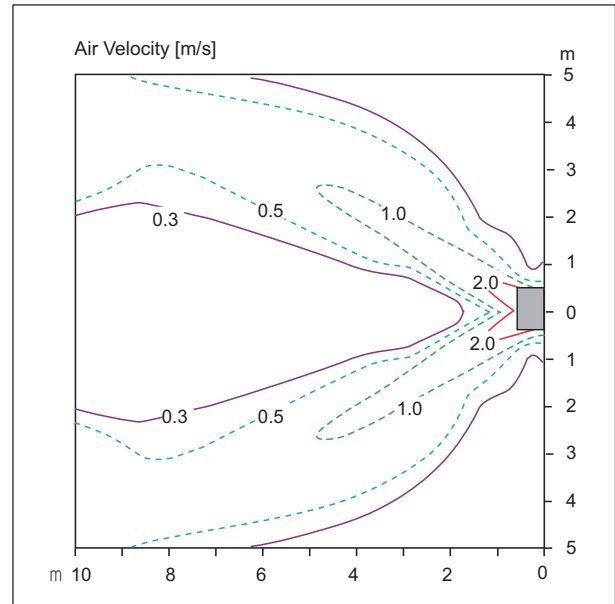
- Vertical Louver : Center
- Fan speed : Super High

#### Top View

Discharge angle: 55°



- Vertical Louver : Center
- Vertical Vane : 0°
- Fan speed : Super High
- Air speed 0.3m/s Range : 13.5m



- Vertical Louver : Left & Right
- Vertical Vane : 55°
- Fan speed : Super High

### Note

- These figures are accordance with normal certain condition and environment. (Airflow step is 'Super High', Air discharge angle is fixed as indicated angle.)
- Indoor airflow distribution under actual installation or operating conditions depends on ambient temperature, ceiling height, product installation direction / location, indoor / Heating load, and other obstacles, etc.

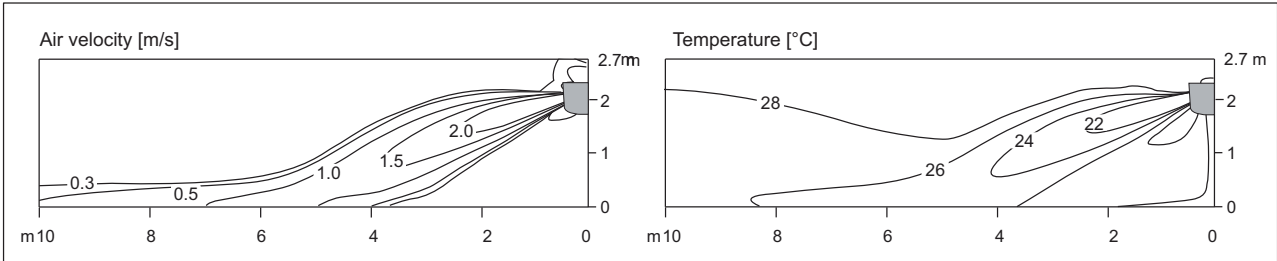
## 6. Air flow and temperature distributions (reference data)

### ■ Models : S3NM18KLMMA [AB18BK NSK]

#### ◆ Cooling

##### Side View

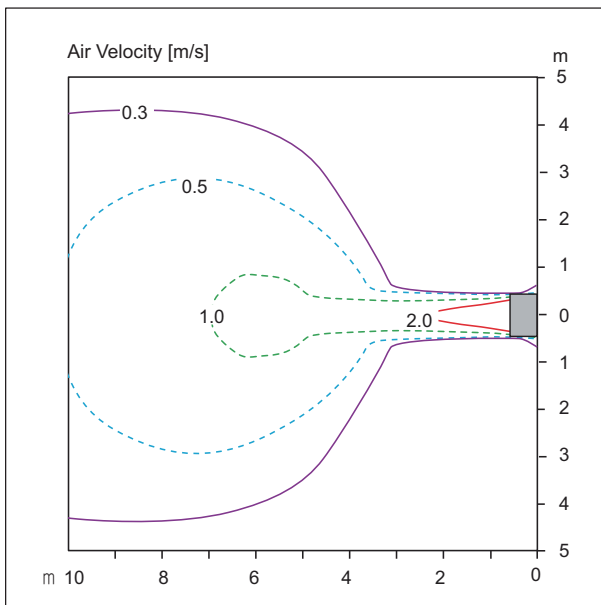
Discharge angle: 25°



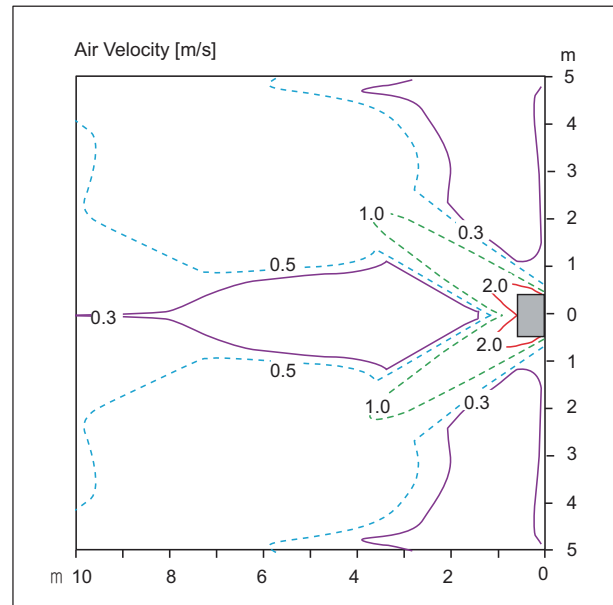
- Vertical Louver : Center
- Fan speed : Super High

##### Top View

Discharge angle: 25°



- Vertical Louver : Center
- Vertical Vane : 0°
- Fan speed : Super High
- Air speed 0.3m/s Range : 12.9m



- Vertical Louver : Left & Right
- Vertical Vane : 50°
- Fan speed : Super High

#### Note

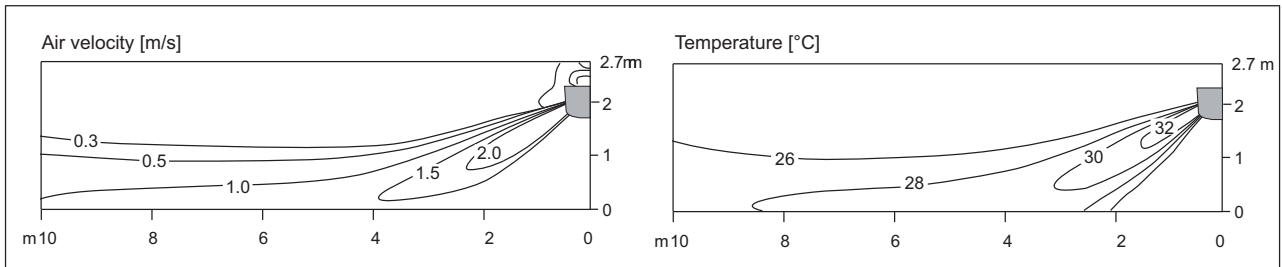
- These figures are accordance with normal certain condition and environment. (Airflow step is 'Super High', Air discharge angle is fixed as indicated angle.)
- Indoor airflow distribution under actual installation or operating conditions depends on ambient temperature, ceiling height, product installation direction / location, indoor / Heating load, and other obstacles, etc.

## 6. Air flow and temperature distributions (reference data)

### ◆ Heating

#### Side View

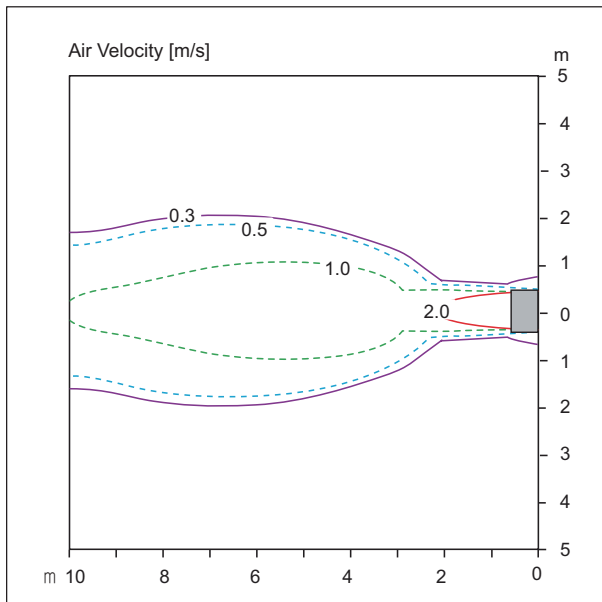
Discharge angle: 45°



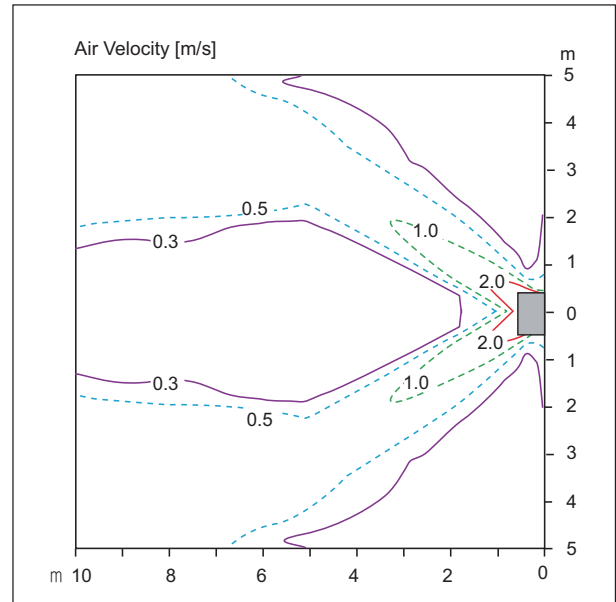
- Vertical Louver : Center
- Fan speed : Super High

#### Top View

Discharge angle: 45°



- Vertical Louver : Center
- Vertical Vane : 0°
- Fan speed : Super High
- Air speed 0.3m/s Range : 20.0m



- Vertical Louver : Left & Right
- Vertical Vane : 50°
- Fan speed : Super High

### Note

- These figures are accordance with normal certain condition and environment. (Airflow step is 'Super High', Air discharge angle is fixed as indicated angle.)
- Indoor airflow distribution under actual installation or operating conditions depends on ambient temperature, ceiling height, product installation direction / location, indoor / Heating load, and other obstacles, etc.

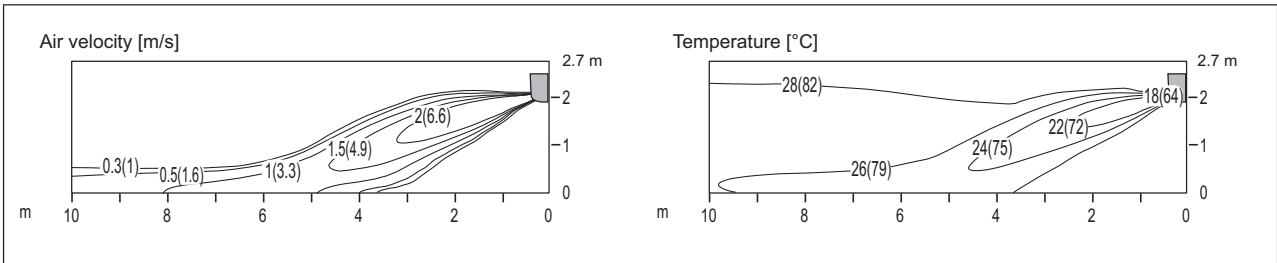
## 6. Air flow and temperature distributions (reference data)

### ■ Models : S3NM24K2MMA [AB24BK NSK]

#### ◆ Cooling

Side View

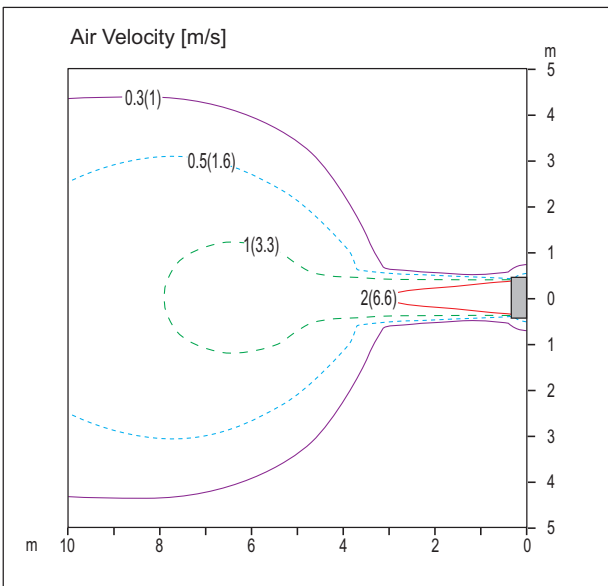
Discharge angle: 25°



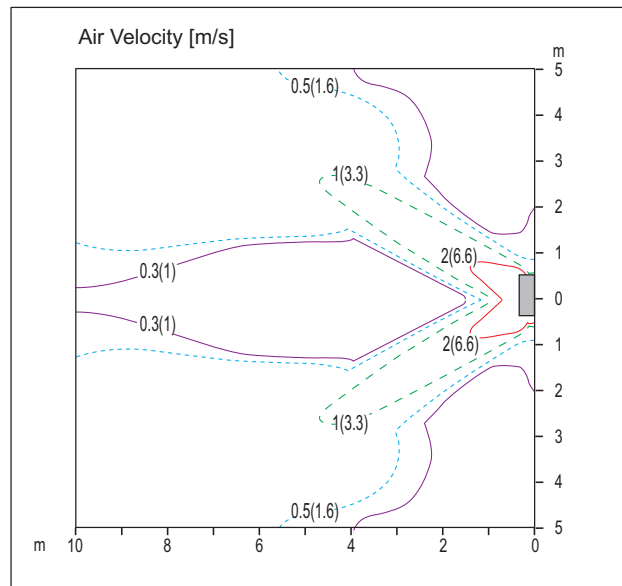
- Vertical Louver : Center
- Fan speed : Super High

Top View

Discharge angle: 25°



- Vertical Louver : Center
- Vertical Vane : 0°
- Fan speed : Super High
- Air speed 0.3m/s Range : 15.4m



- Vertical Louver : Left & Right
- Vertical Vane : 50°
- Fan speed : Super High

#### Note

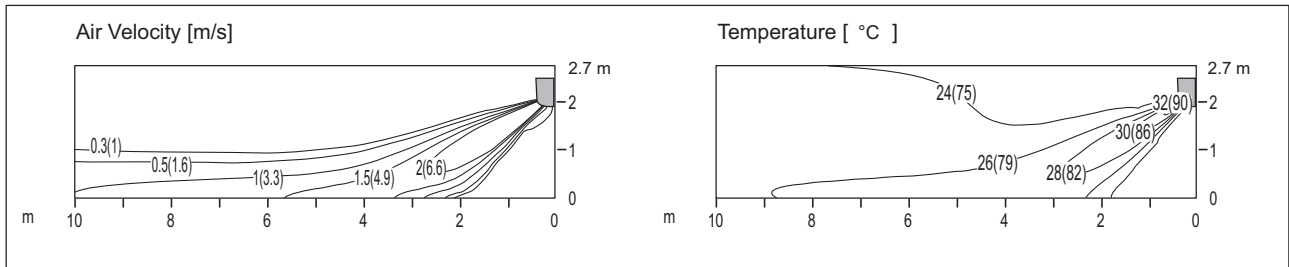
- These figures are accordance with normal certain condition and environment.  
(Airflow step is 'Super High', Air discharge angle is fixed as indicated angle.)
- Indoor airflow distribution under actual installation or operating conditions depends on ambient temperature, ceiling height, product installation direction / location, indoor / Heating load, and other obstacles, etc.

## 6. Air flow and temperature distributions (reference data)

### ◆ Heating

Side View

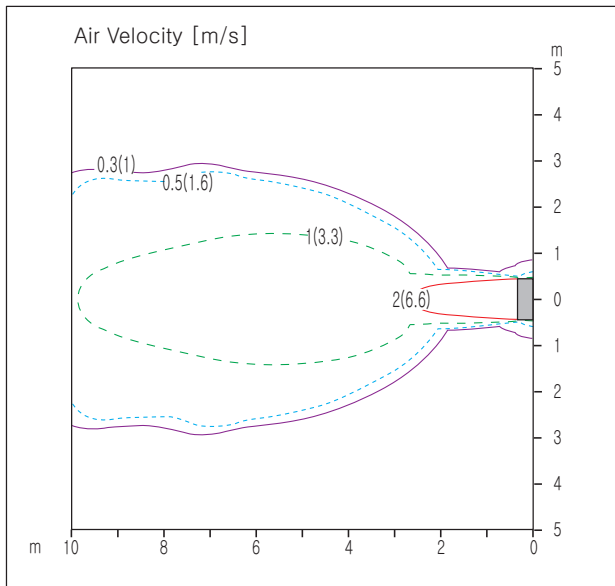
Discharge angle: 45°



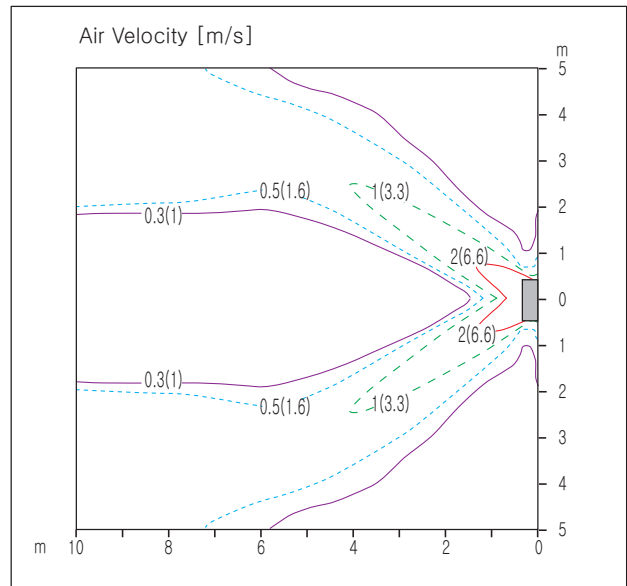
- Vertical Louver : Center
- Fan speed : Super High

### Top View

Discharge angle: 45°



- Vertical Louver : Center
- Vertical Vane : 0°
- Fan speed : Super High
- Air speed 0.3m/s Range : 19.5m



- Vertical Louver : Left & Right
- Vertical Vane : 50°
- Fan speed : Super High

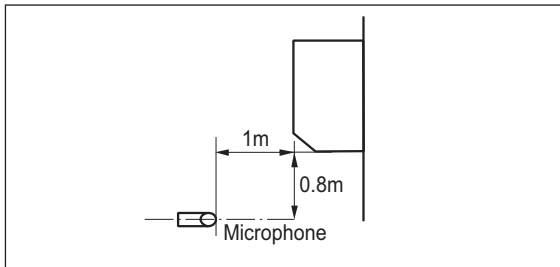
### Note

- These figures are accordance with normal certain condition and environment. (Airflow step is 'Super High', Air discharge angle is fixed as indicated angle.)
- Indoor airflow distribution under actual installation or operating conditions depends on ambient temperature, ceiling height, product installation direction / location, indoor / Heating load, and other obstacles, etc.

## 7. Sound levels

### 7.1 Sound pressure level

#### ■ Overall



#### Note

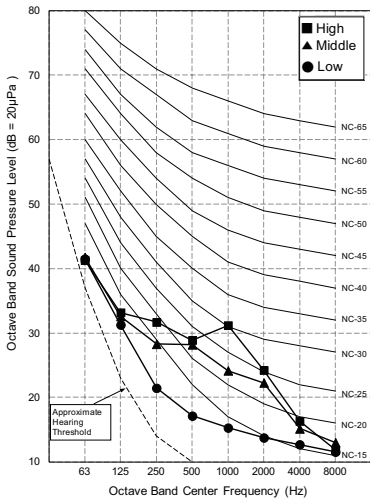
1. Sound measured at some distance away from the center of the unit.
2. Data is valid at free field condition.
3. Reference acoustic pressure 0dB = 20μPa.
4. Data is valid at nominal operation condition.  
Refer to the Model Specifications for nominal conditions (Power source and Ambient temperature, etc)
5. Sound levels can be increased in accordance with installation and operating conditions. (Static pressure mode, used air guide, Room target temperature setting, etc)
6. Sound level will vary depending on a range of factors such as the construction (acoustic absorption coefficient) of particular room in which the equipment is installed.
7. Sound pressure level is measured on the rated condition in the anechoic rooms. (LG Internal Standard)  
Therefore, these values can be increased owing to ambient conditions during operation.

Model	50Hz, 220-240V		
	Sound pressure Levels [dB(A)]		
	H	M	L
S3NM09JAMMA [AB09BK NSJ]	38	33	26
S3NM12JAMMA [AB12BK NSJ]	39	35	26
S3NM18KLMMA [AB18BK NSK]	47	42	34
S3NM24K2MMA [AB24BK NSK]	47	42	34

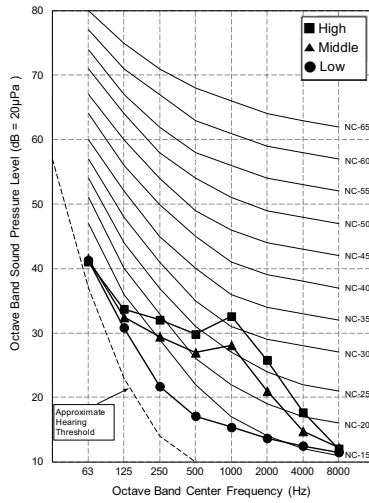


# 7. Sound levels

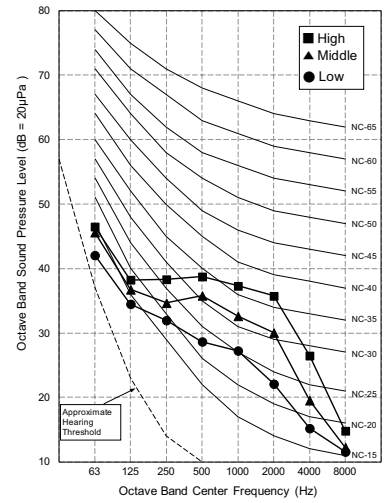
S3NM09JAMMA [AB09BK NSJ]



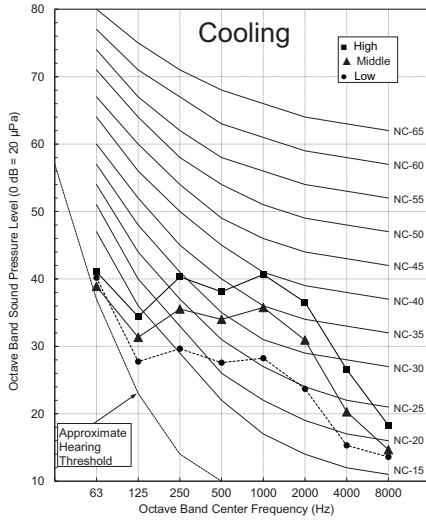
S3NM12JAMMA [AB12BK NSJ]



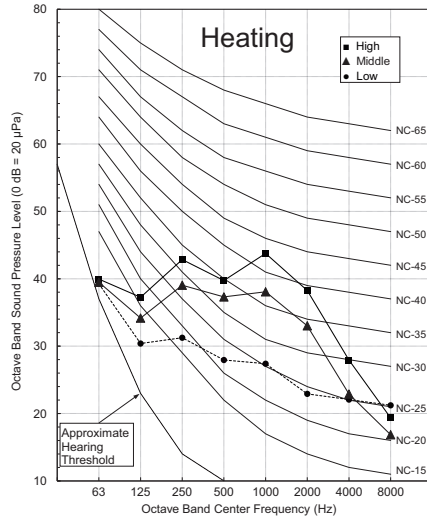
S3NM18KLMMMA [AB18BK NSK]



S3NM24K2MMA [AB24BK NSK]



S3NM24K2MMA [AB24BK NSK]



## 7. Sound levels

### 7.2 Sound power level

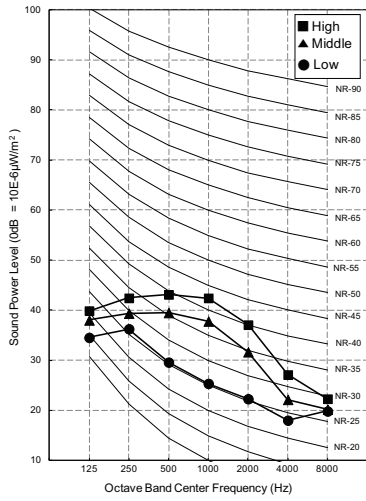
#### Note

1. Data is valid at diffuse field condition.
2. Data is valid at nominal operation condition.  
Refer to the Model Specifications for nominal conditions(Power source and Ambient temperature, etc)
3. Sound level can be increased in static pressure mode or used air guide.
4. Sound level will vary depending on a range of factors such as the construction (acoustic absorption coefficient).
5. Reference acoustic intensity 0dB =  $10E-6\mu W/m^2$
6. Sound power level is measured on the rated condition in the reverberation rooms by ISO 3741 standard.  
Therefore, these values can be increased owing to ambient conditions during operation.

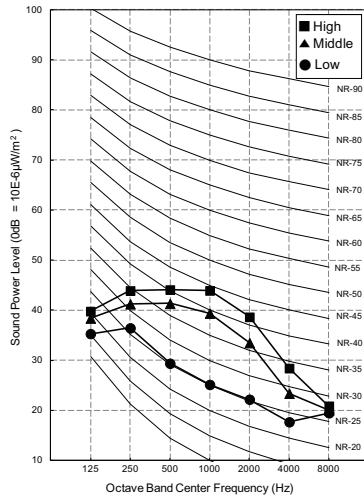
Model	Sound power Levels [dB(A)]
S3NM09JAMMA [AB09BK NSJ]	57
S3NM12JAMMA [AB12BK NSJ]	57
S3NM18KLMMA [AB18BK NSK]	59
S3NM24K2MMA [AB24BK NSK]	65

# 7. Sound levels

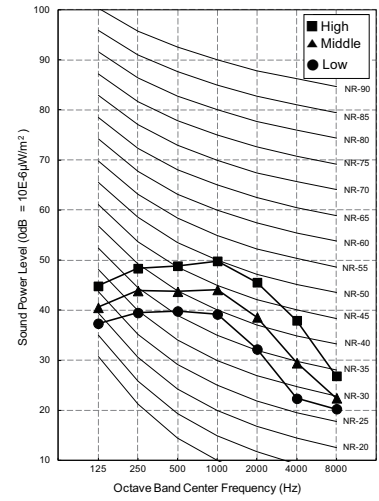
S3NM09JAMMA [AB09BK NSJ]



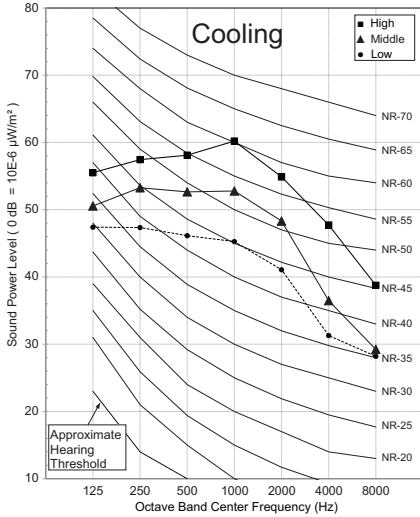
S3NM12JAMMA [AB12BK NSJ]



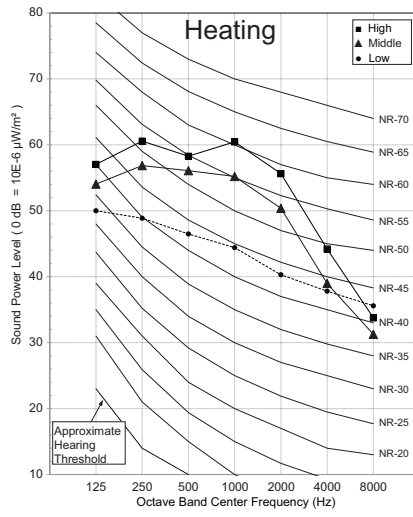
S3NM18KLMMMA [AB18BK NSK]



S3NM24K2MMA [AB24BK NSK]



S3NM24K2MMA [AB24BK NSK]

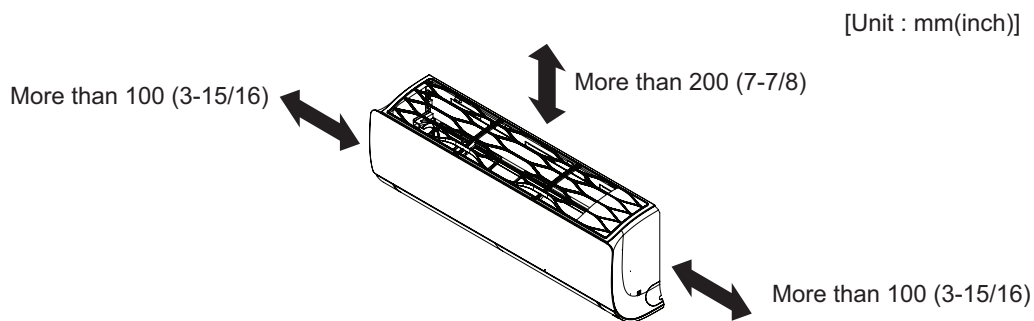


## 8. Installation

- Please read the instruction sheets completely before installing the product.
- When the power cord is damaged, replacement work shall be performed by authorized personnel only.
- Installation work must be performed in accordance with the national wiring standards.
- Teach the customer the operation and maintenance procedures, using the operation manual. (air filter cleaning, temperature control, etc.)

### 8.1 Selection of the best location

- The unit must be installed indoor area.
- Do not install the unit near the door.
- There should not be any obstacles to the air circulation or installation. Ensure the spaces from the wall, ceiling, or other obstacles.
- The place where the indoor unit can be connected with outdoor unit easily.
- The place where the unit is leveled.
- The place shall allow easy water drainage.
- The place where bear a load exceeding four times of the indoor unit weight.
- The mounting ceiling or wall should be solid enough to protect it from the vibration.
- The place where the unit is not affected by an electrical noise.
- The place where noise prevention is taken into consideration.
- The place where the maintenance space for product is sufficient.
- There should not be any heat source or steam near the unit.

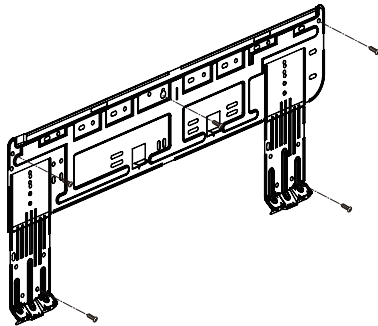


# 8. Installation

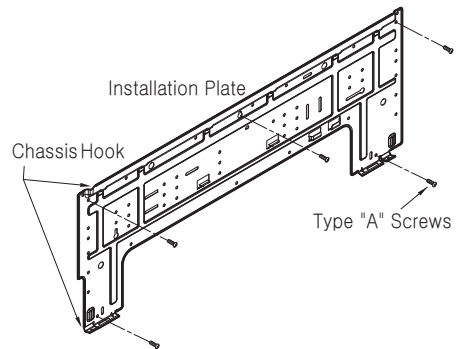
## ■ Fixing Installation Plate

- The wall you select should be strong and solid enough to prevent vibration.
  1. Mount the installation plate on the wall with type "A" screws which are provided with product. (Refer to the Installation manual.) If mounting the unit on a concrete wall, use anchor bolts.
    - Mount the installation plate horizontally by aligning the centerline using Horizontal meter.
  2. Measure the wall and mark the centerline. It is also important to use caution concerning the location of the installation plate. Routing of the wiring to power outlets is through the walls typically. Drilling the hole through the wall for piping connections must be done safely.

**SJ Chassis**

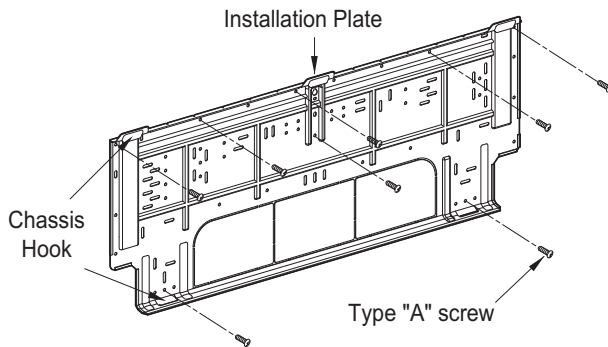


**SK Chassis**



\* According to product type, model line up, sales region..etc, applicability of each chassis could be different.

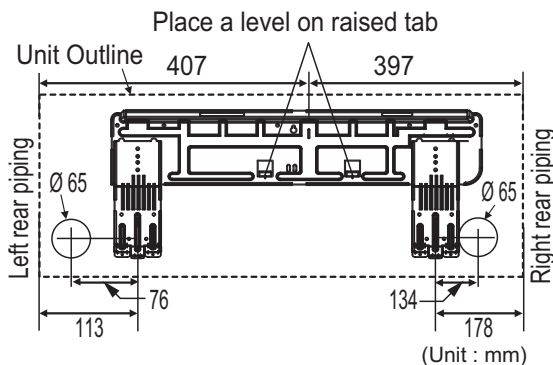
**SV Chassis**



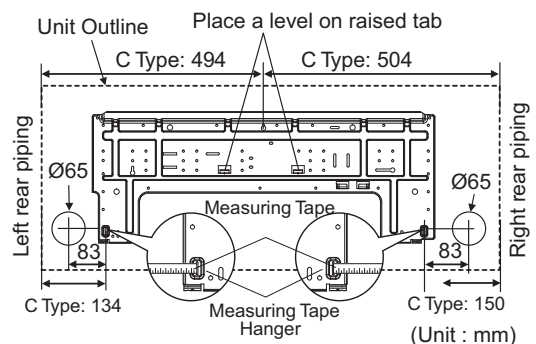
\* According to product type, model line up, sales region..etc, applicability of each chassis could be different.

## ■ The lower left and the right side piping of Installation Plate

**SJ chassis**



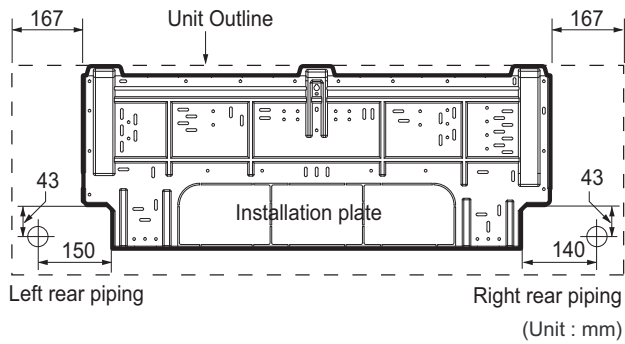
**SK chassis**



\* According to product type, model line up, sales region..etc, applicability of each chassis could be different.

## 8. Installation

### SV chassis



\* According to product type, model line up, sales region..etc, applicability of each chassis could be different.

### **!** CAUTION

In case that the unit is installed near the sea, the installation parts may be corroded by salt. The installation parts (and the unit) should be taken appropriate anti-corrosion measures.

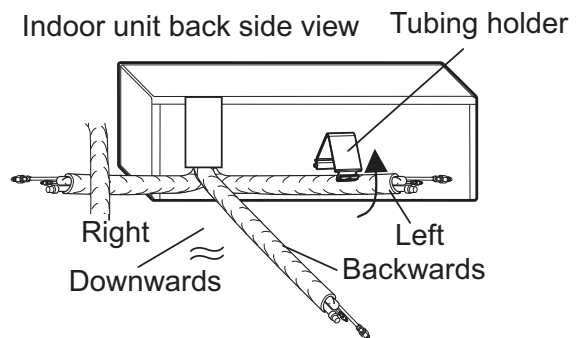
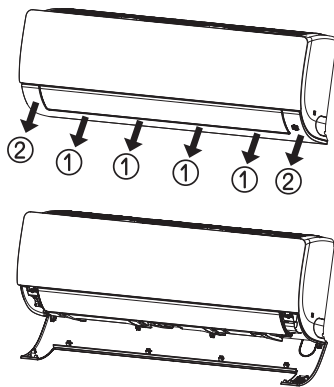
## 8. Installation

### 8.2 Connection of pipes and cables

#### 8.2.1 Preparing work for installation

##### ■ SJ/SK chassis

1. Pull the cover at the bottom of the indoor unit. Pull the cover ①→②.
2. Remove the chassis cover from the unit.
3. Pull back the tubing holder.
4. Remove pipe port cover and positioning the tubing.



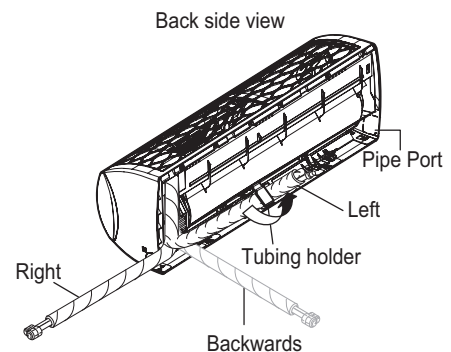
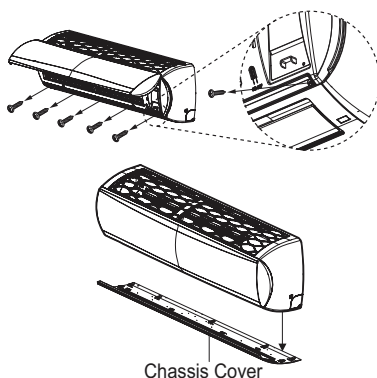
※ The feature can be changed according to type of model.

\* The feature can be changed according to type of model.

\* According to product type, model line up, sales region..etc, applicability of each chassis could be different.

##### ■ SV chassis

1. Open the panel of the indoor unit.
2. Remove the chassis cover from the unit by loosening 5 screws.
3. Pull back the tubing holder.
4. Remove pipe port cover and position the piping.

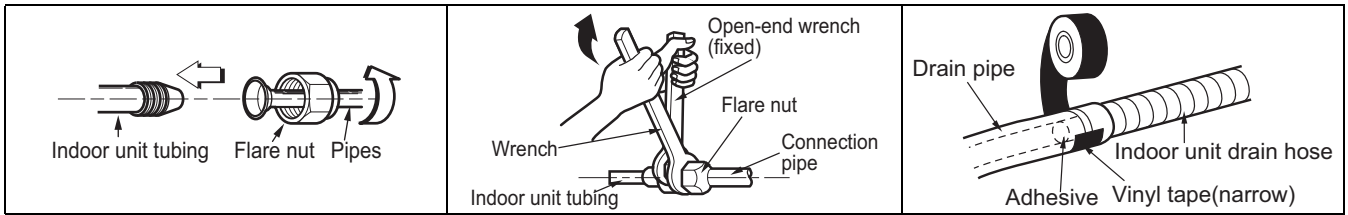


\* The feature can be changed according to type of model.

\* According to product type, model line up, sales region..etc, applicability of each chassis could be different.

## 8. Installation

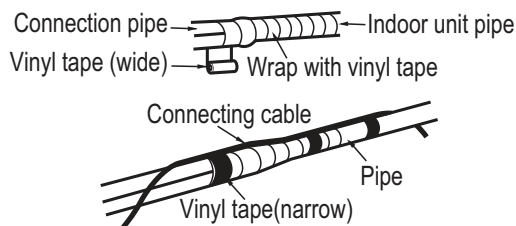
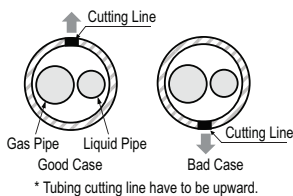
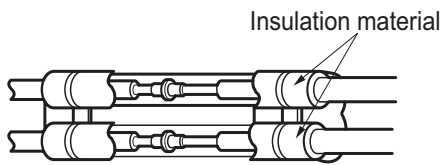
### ■ Connecting the installation pipe and drain hose



1. Align the center of the pipes and sufficiently tighten the flare nut by hand.
2. Tighten the flare nut with a wrench.
3. When needed to extend the drain hose of indoor unit, assembly the drain pipe as shown on the drawing.

### ■ Wrap the insulation material around the connecting portion.

1. Overlap the connection pipe insulation material and the indoor unit pipe insulation material. Bind them together with vinyl tape so that there may be no gap.
2. Set the tubing cutting line upward. Wrap the area which accommodates the rear piping housing section with vinyl tape.
3. Bundle the piping and drain hose together by wrapping them with vinyl tape sufficient enough to cover where they fit into the rear piping housing section. Be sure that the drain hose is located at the lowest side of the bundle. Locating at the upper side can cause overflow from the drain pan through the inside of the unit.



### ⚠ CAUTION

If the drain hose is routed inside the room insulate the hose with an insulation material\* so that dripping from sweating condensation) will not damage furniture or floors.

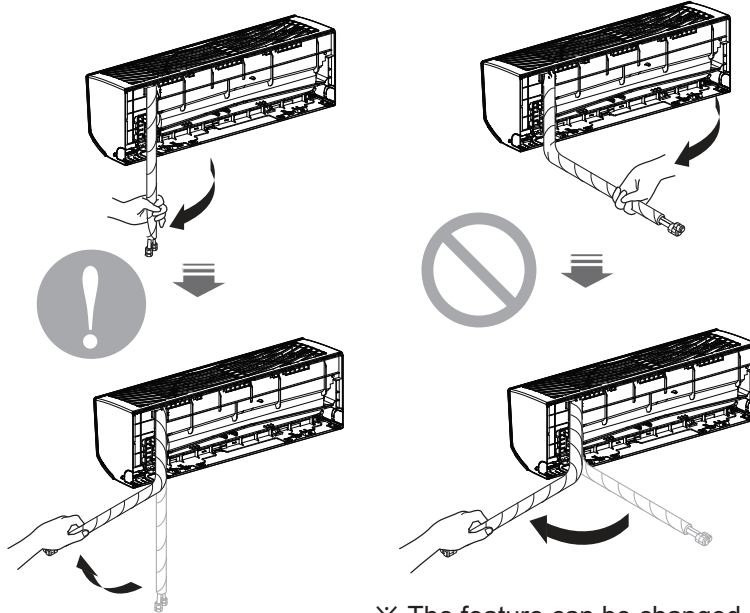
\* Foamed polyethylene or equivalent is recommended.



## 8. Installation

### ⚠ CAUTION

- Press on the tubing cover and unfold the tubing to downward slowly. And then bend to the left side slowly.
- Following bending case from right to left directly may cause damage to the tubing.



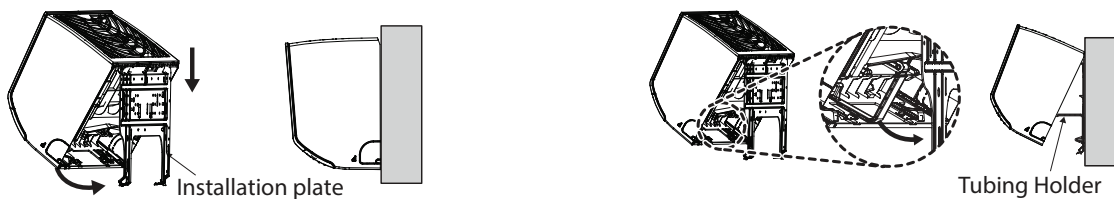
※ The feature can be changed according to type

- Installation Information. For right piping. Follow the instruction above.

### 8.2.2 Installation of Indoor Unit

#### ■ Seat the indoor unit on the installation plate

1. Hook the indoor unit onto the upper portion of the installation plate.(engage the three hooks at the top of the indoor unit with the upper edge of the installation plate) Ensure that the hooks are properly seated on the installation plate by moving it left and right
2. Unlock the tubing holder from the chassis and mount between the chassis and installation plate in order to separate the bottom side of the indoor unit from the wall.

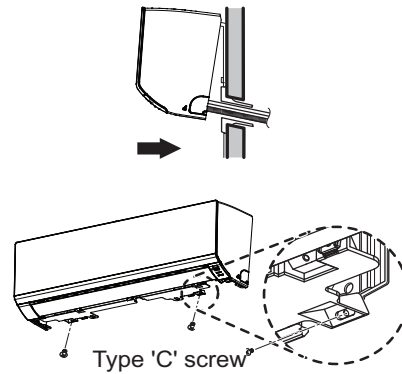


\* The feature can be changed according to type of model.

## 8. Installation

### 8.2.3 Finishing the indoor unit installation

1. Mount the tubing holder in the original position.
2. Ensure that the hooks are properly seated on the installation plate by moving it left and right.
3. Press the lower left and right sides of the unit against the installation plate until the hooks engage into their slots (clicking sound).
4. Finish the assembly by screwing the unit to the installation plate by using two pieces of type "C" screws. And assemble a chassis cover. (SJ/SK chassis) Recover the chassis cover in Original place. (SV chassis)



\* The feature can be changed according to type of model.

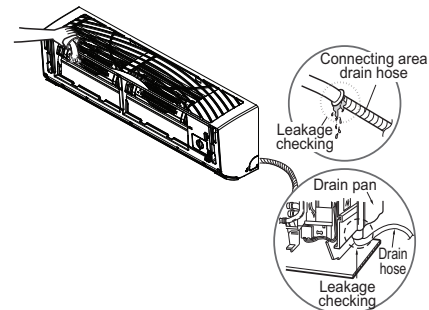
#### **CAUTION**

- The indoor unit can be dropped from the wall, the indoor unit is not screwed correct position on the install plate.
- To avoid the gap between the indoor unit and wall , screw the indoor unit to the install plate correctly.

### 8.2.4 Checking the Drainage

#### ◆ To check the drainage.

1. Pour a glass of water on the evaporator.
2. Ensure the water flows through the drain hose of the indoor unit without any leakage and goes out the drain exit.

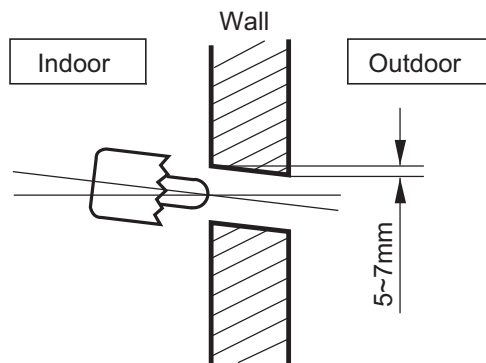


\* The feature can be changed according to type of model.

## 8. Installation

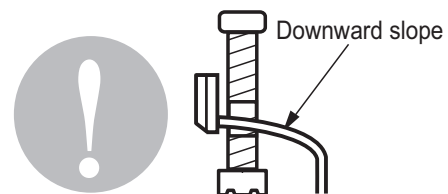
### ◆ Drill a Hole in the wall

1. Drill the piping hole with a  $\varnothing$  70mm hole core drill.  
Drill the piping hole at either the right or the left with the holes slightly slanted to the outdoor side.

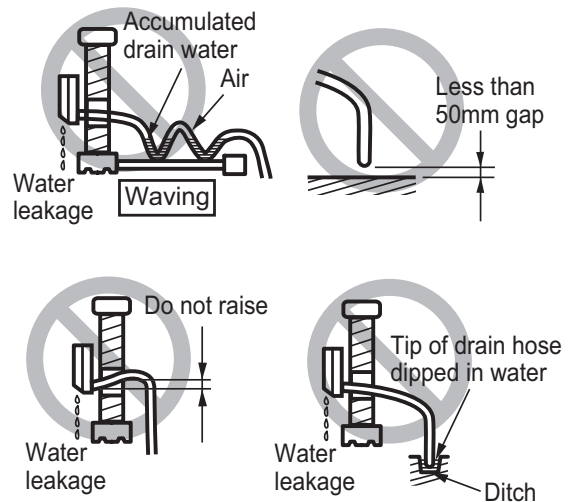


### ◆ Drain Piping

1. The drain hose should point downward for easy drain flow



2. Do not make drain piping like the following.



\* The feature can be changed according to type of model.

## 8. Installation

---

### 8.3 Wiring the cable to the indoor units

#### 8.3.1 General instructions

- All field supplied parts and materials, electric works must conform to local codes. Use copper wire only.
- Follow the "**WIRING DIAGRAM**" attached to the unit body to wire the outdoor unit, indoor units and the remote controller.
- All wiring must be performed by an authorized electrician.
- A circuit breaker capable of shutting down the power supply to the entire system must be installed.

#### CAUTION

After the confirmation of the above conditions, prepare the wiring as follows:

- Never fail to have separate power specially for the air conditioner.
- Provide a circuit breaker switch between power source and the unit.
- Confirm the Specification of power source.
- Confirm that electrical capacity is sufficient.
- Be sure that the starting voltage is maintained at more than 90 percent of the rated voltage marked on the name plate.
- Confirm that the cable thickness is as specified in the power sources specification.  
(Particularly note the relation between cable length and thickness.)
- Do not install the leakage breaker in a place which is wet or moist.  
Water or moist may cause short circuit.
- The following troubles would be caused by voltage drop-down.
  - » Vibration of a magnetic switch, damage on the contact point there of, fuse breaking, disturbance to the normal function of a overload protection device.
  - » Proper starting power is not given to the compressor.

#### 8.3.2 Wiring connection

- Connect the wires to the terminals on the control board individually according to the outdoor unit connection.
- Ensure that the color of the wires of outdoor unit and the terminal No. are the same as those of indoor unit respectively.
- In case of the system with multiple indoor units, mark each indoor unit as unit A, unit B, etc and be sure the terminal board wiring to the outdoor unit and indoor units are properly matched. If wiring and piping between the outdoor unit and an indoor unit are mismatched, the system may cause a malfunction.

#### 8.3.3 Clamping of cables

1. Arrange 2 power cables on the control panel.
2. First, fasten the steel clamp with a screw to the inner boss of control panel.
3. For connecting of communication (transmission) cable, put the cable(or thinner cable) on the clamp and tighten it with a plastic clamp to the other boss of the control panel. In case that communication (transmission) cable is not needed to connect, fix the other side of the clamp with a screw strongly.

## 8. Installation

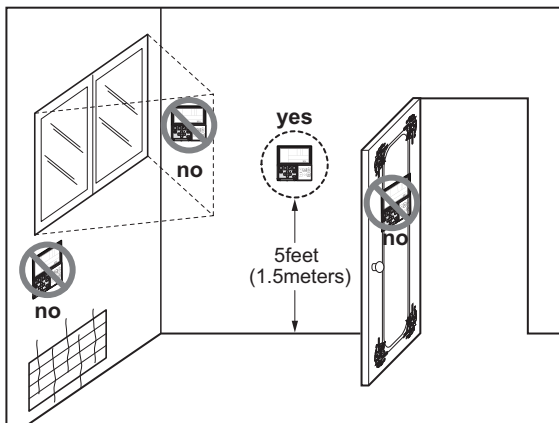
### **⚠ WARNING**

- Make sure that the screws of the terminal are fixed tightly.
- The screw which fasten the wiring in the casing of electrical fittings are liable to come loose from vibrations to which the unit is subjected during the course of transportation. Check them and make sure that they are all tightly fastened. (If they are loose, it could give rise to burn-out of the wires.)
- Make sure to attach the sealing material or (field supplied) to hole of wiring to prevent the infiltration of foreign particle from outside. Otherwise a short-circuit may occur inside the electric parts box.
- When clamping the wires, be sure no pressure is applied to the wire connections by using the included clamping material to make appropriate clamps. Also, when wiring, make sure the cover on the electric parts box fits snugly by arranging the wires neatly and attaching the electric parts box cover firmly. When attaching the electric parts box cover, make sure no wires get caught in the edges. Pass wiring through the wiring through holes to prevent damage to them.
- Make sure the remote controller wiring, the wiring between the units, and other electrical wiring do not pass through the same locations outside of the unit, separating them properly, otherwise electrical noise (external static) could cause product malfunction.

### 8.3.4 Wired Remote Controller Installation (Optional)

Since the room temperature sensor is in the remote controller, the remote controller box should be installed in a place away from direct sunlight, high humidity and direct supply of cold air to maintain proper space temperature.

Install the remote controller about 5ft(1.5m) above the floor in an area with good air circulation at an average temperature.



#### • Do not install the remote controller where it can be affected by :

- Drafts, or dead spots behind doors and in corners.
- Hot or cold air from ducts.
- Radiant heat from sun or appliances.
- Concealed pipes and chimneys.
- Uncontrolled areas such as an outside wall behind the remote controller.
- This remote controller is equipped with a seven segment LED. display. For proper display of the remote controller LED's, the remote controller should be installed properly. (The standard height is 1.2~1.5 m from floor level.)

# MULTI/SINGLE

Indoor unit

## **ART COOL**

- 1.List of Functions**
- 2.Specifications**
- 3.Dimensions**
- 4.Piping diagrams**
- 5.Wiring diagrams**
- 6.Air flow and temperature distribution**
- 7.Sound levels**
- 8.Installation**

# 1. List of functions

## ◆ List of function

Category	Functions	ZMNW09GAF10 [MA09R NF1] ZMNW12GAF10 [MA12R NF1]
Air Flow	Air Supply Outlet	3
	Airflow Direction Control (left & right)	X
	Airflow Direction Control (up & down)	Auto
	Auto Swing (left & right)	X
	Auto Swing (up & down)	O
	Airflow Steps (fan/cool/heat)	5 / 6 / 6
	Fan Speed Auto*	Advanced
	Power Cool/Heat	O / O
	Swirl Wind*	X
	Refresh Mode**	X
	Smart Mode**	X
	Indirect Wind*	X
	Direct Wind*	X
	Dry Operation	O
Air Purification	Air Purify	X
	Ionizer	X
	UV-C	X
	Pre-Filter	O
	PM1.0 Filter	X
Reliability	Hot Start	O
	Self Diagnosis	O
Convenience	Auto Mode	O
	Auto Dry Operation	O
	Auto Restart	O
	Child Lock*	O
	Forced Operation	O
	Group Control*	X
	Sleep Timer	O
	Turn On/Off Reservation	O
	Schedule*	X
	Two Thermistor Control*	X
External On/Off	X	
Installation	Drain Pump	X
	E.S.P. Control*	X
	High Ceiling Operation*	X
Special Functions	Wi-Fi	Accessory
	Auto Elevation Grille	X
	Human Detection Function**	X
	Floor Detection Function**	X

### Note

- O : Applied, X : Not Applied, - : Unconfirmed or irrelevant  
Embedded : A kit is provided by default for using this function when the product is manufactured.  
Accessory : Ordered and purchased separately the accessory package referring to the model name provided and install at field. Accessory line-ups varies by region, so check your local catalogue or local sales material.
- Some functions can be limited by remote controller.
- In case of cassette type indoor units, Air Purification Kit and Auto Elevation Grille functions are not applicable at the same time.
- 'Auto Mode' varies depending on the outdoor unit type.  
- Auto Change Over(Single Heat Pump Outdoor Unit)  
- Auto Mode Select(Multi Heat Pump Outdoor Unit)  
- Auto Intensity Control(Cooling Only Outdoor Unit)
- \* : These functions need to connect the wired remote controller.
- \*\* : This functions need to connect to the Standard III wired remote controller.

# 1. List of functions

## ◆ Accessory Compatibility List

Category		Product	Remark	ZMNW09GAF10 [MA09R NF1] ZMNW12GAF10 [MA12R NF1]
Wireless Remote Controller		PQWRHQ0FDB	Heat Pump	O (Embedded)
		PWLSSB21H	Heat Pump	O
Wired Remote Controller	Simple	PQRCVCL0Q(W)	Simple	X
		PQRCHCA0Q(W)	for Hotel	X
	Standard	PREMTB001	Standard II (White)	X
		PREMTBB01	Standard II (Black)	X
		PREMTB100	Standard III (White)	X
		PREMTBB10	Standard III (Black)	X
Premium	PREMTA000(A/B)	Premium	X	
Dry contact	Simple Contact	PDRYCB000	Simple Dry Contact	O
	Communication type	PDRYCB400	2 Points Dry Contact (For Setback)	O
		PDRYCB300	For 3rd Party Thermostat	O
		PDRYCB320	For 3rd Party Thermostat (Analog Input)	O
		PDRYCB500	For Modbus	O
Gateway	IDU PI485	PHNFP14A0	Without case	X
		PSNFP14A0	With case	X
ETC	Remote temperature sensor	PQRSTA0	-	X
	Zone controller	ABZCA	-	X
	CO <sub>2</sub> Sensor	PES-C0RV0	For ERV, ERV DX Indoor units	X
	Group control wire	PZCWRCG3	0.25m	X
	2-Remo Control Wire	PZCWRC2	0.25m	X
	Extension Wire	PZCWRC1	10m	X
	Wi-Fi Controller*	PWFMDD200	-	O
Human detecting sensor	PTVSA00	-	X	

### Note

1. O: Possible, X: Impossible, -: Not applicable, Embedded: Included with product.
2. \*: Some advanced functions controlled by individual controller cannot be operated.
3. If there is a difference in development time between the product and the remote controller, some functions cannot be operated.
4. Selecting a wireless remote controller in case of ducted type indoor units requires either a connection to the wired remote controller (Standard II) or an IR receiver accessory to be connected to the duct in order to receive the signal.
5. If you need more detail, please refer to the **BECON** PDB or the manual of product. (<http://partner.lge.com/global> : Home> Doc.Library> Product > Control(BECON))



## 2. Specifications

Model Name			ZMNW09GAF10 [MA09R NF1]	ZMNW12GAF10 [MA12R NF1]
Power Supply		V, Ø, Hz	220-240, 1, 50 220, 1, 60	220-240, 1, 50 220, 1, 60
Capacity(Nominal)	Cooling	kW	2.6	3.5
	Heating	kW	2.9	3.9
Power Input		W x No.	40 x 1	40 x 1
Running Current		A	0.2	0.2
Exterior	Color	-	Magic Gray	Magic Gray
	RAL (Classic)	-	RAL 9006	RAL 9006
Dimensions	Body	W x H x D	600 x 600 x 146	600 x 600 x 146
		W x H x D	23-5/8 x 23-5/8 x 5-3/4	23-5/8 x 23-5/8 x 5-3/4
Net Weight	Body	kg (lbs)	15.0 (33.1)	15.0 (33.1)
Heat Exchanger	(Row x Column x Fins per inch) x No.		-	(2 x 20 x 21) x 1
	Face Area		m <sup>2</sup> (ft <sup>2</sup> )	0.18 (1.92)
Fan	Type		-	Turbo Fan
	Air Flow Rate	H / M / L	m <sup>3</sup> /min	7.7 / 5.9 / 4.4
		H / M / L	ft <sup>3</sup> /min	272 / 208 / 155
Fan Motor	Type		-	BLDC
	Output		W x No.	24 x 1
Sound Pressure Level		H / M / L	dB(A)	38 / 32 / 27
Sound Power Level		Rated	dB(A)	52
Piping Connections	Liquid		mm(inch)	Ø 6.35 (1/4)
	Gas		mm(inch)	Ø 9.52 (3/8)
	Drain (O.D. / I.D.)		mm	Ø 21.5 / 16.0
Safety Devices		-	Fuse	
		-	Thermal Protector for Fan Motor	
Power and Communication Cable (included Earth)		No. x mm <sup>2</sup> (AWG)	4C x 0.75 (18)	4C x 0.75 (18)
<b>Note</b>				
1. Due to our policy of innovation some specifications may be changed without notification. 2. Wiring cable size must comply with the applicable local and national code. And "Electric characteristics" chapter should be considered for electrical work and design. Especially the power cable and circuit breaker should be selected in accordance with that. 3. Sound Level Values are measured at Noise Measuring chamber accordance with standard. Therefore, these values depend on the ambient conditions and values are normally higher in actual operation(Sound Pressure : LG Internal standard, Sound Power : EN 12102 (ISO 3741)). 4. Capacities are net capacities and based on the following conditions. Refer to the Outdoor Unit Specifications for calculating the real capacity. <ul style="list-style-type: none"> <li>• Cooling : Indoor Ambient Temp. 27°CDB / 19°CWB, Outdoor Ambient Temp. 35°CDB / 24°CWB</li> <li>• Heating : Indoor Ambient Temp. 20°CDB / 15°CWB, Outdoor Ambient Temp. 7°CDB / 6°CWB</li> <li>• Interconnected Pipe is standard length and difference of Elevation (Outdoor ~ Indoor Unit) is 0m.</li> </ul>				

# 3. Dimensions

## ZMNW09GAF10 [MA09R NF1] / ZMNW12GAF10 [MA12R NF1]

[Unit: mm]

**3D View**

**Connecting gas/liquid pipe, drain hose**

\* For dimensions of pipe holes and drilling points, refer the installation guide map pre-packed inside product box.

**Symbols**

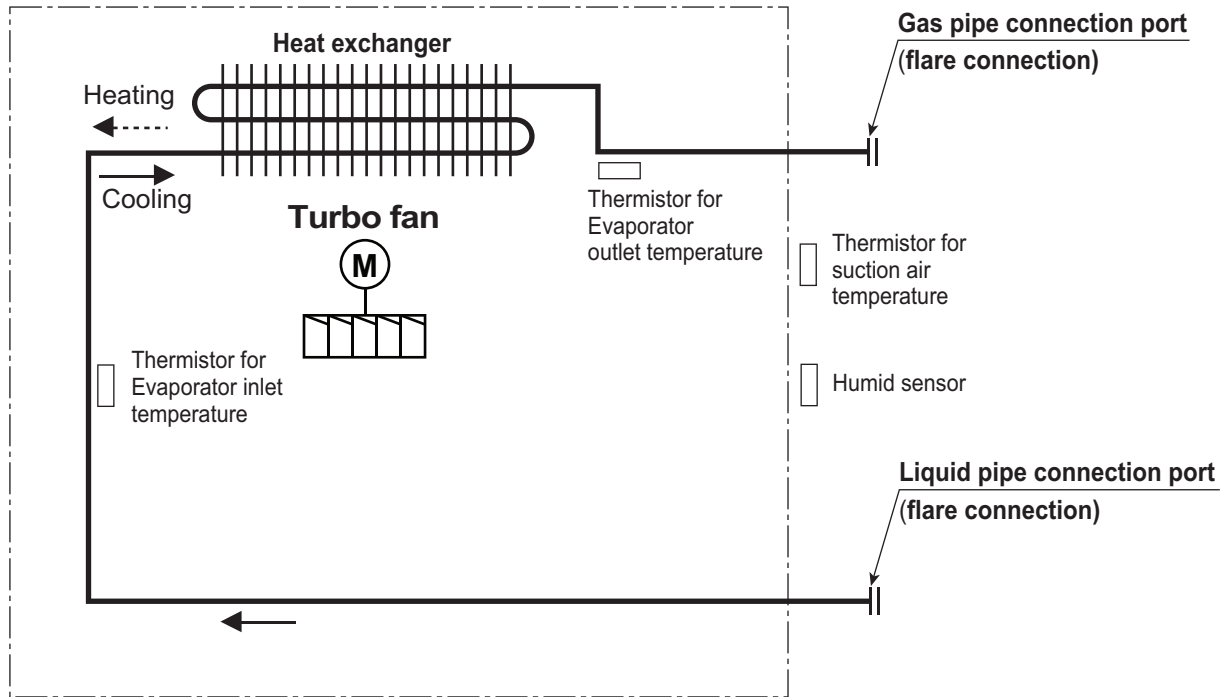
- ➔ Airflow Direction
- Piping Direction
- Datum line

**Notes**

1. Unit should be installed in compliance with the installation manual in the product box.
2. Unit should be grounded in accordance with the local regulations or applicable national codes.
3. All electrical components and materials to be supplied from the site must comply with the local regulations or international codes.
4. Electric characteristics chapter should be considered for electrical work and design. Especially the power cable and circuit breaker should be selected in accordance with that.

No.	Part Name	Description
7	Forced ON/OFF button	-
6	Remote Controller Signal Receiver	for wireless type
5	Corner Cover	-
4	Terminal Block for Power supply and communication	inside of front panel
3	Drain hose connection	-
2	Cable routing hole	-
1	Refrigerant/Drain pipe and cable routing hole	Knock-out type

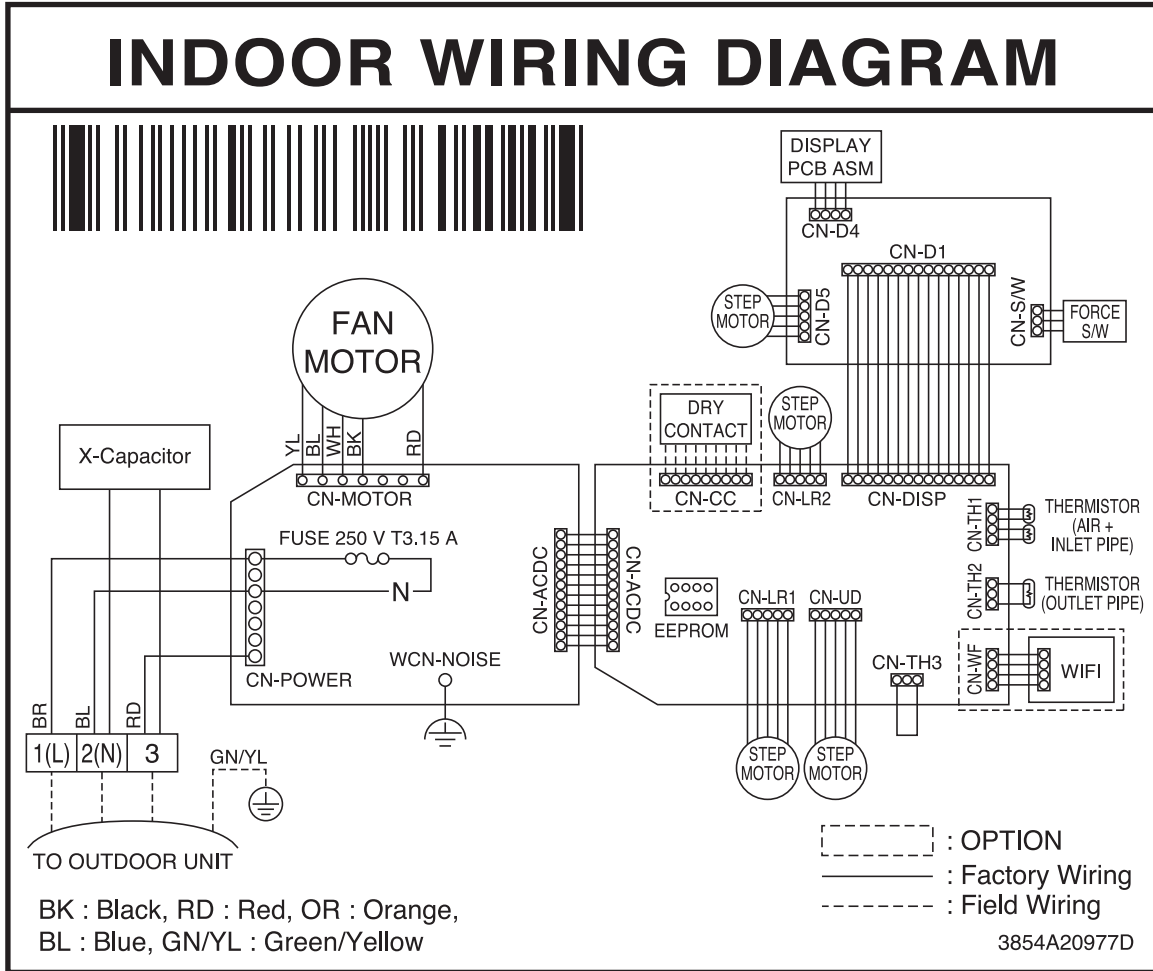
# 4. Piping diagrams



Description	PCB Connector
Thermistor for suction air temperature	CN-TH1
Thermistor for evaporator inlet temperature	
Thermistor for evaporator outlet temperature	CN-TH2

# 5. Wiring Diagrams

■ Models : ZMNW09GAF10 [MA09R NF1], ZMNW12GAF10 [MA12R NF1]



## 6. Air flow and temperature distributions (reference data)

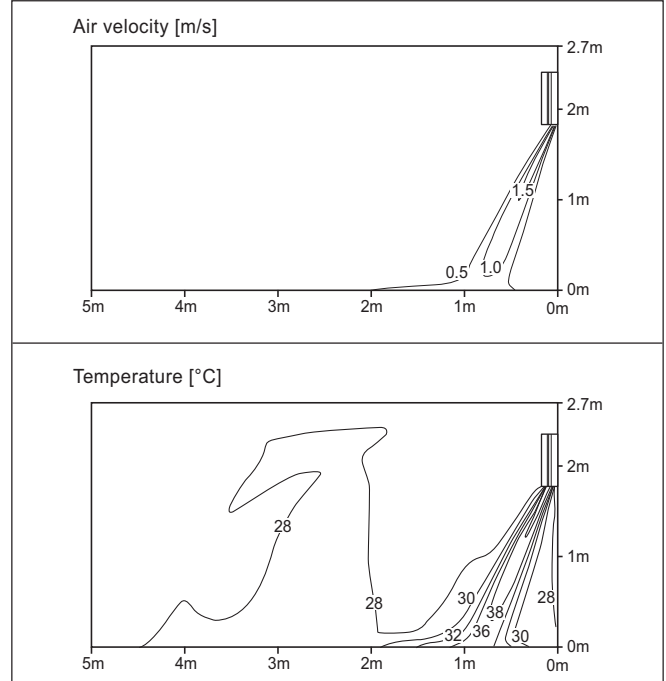
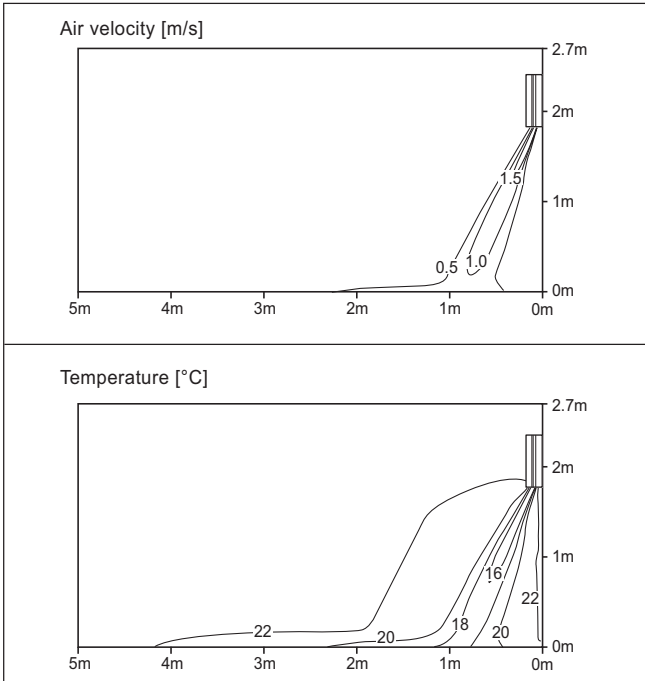
### ■ Model : ZMNW09GAF10 [MA09R NF1]

Cooling

Heating

Discharge angle: 20°

Discharge angle: 20°



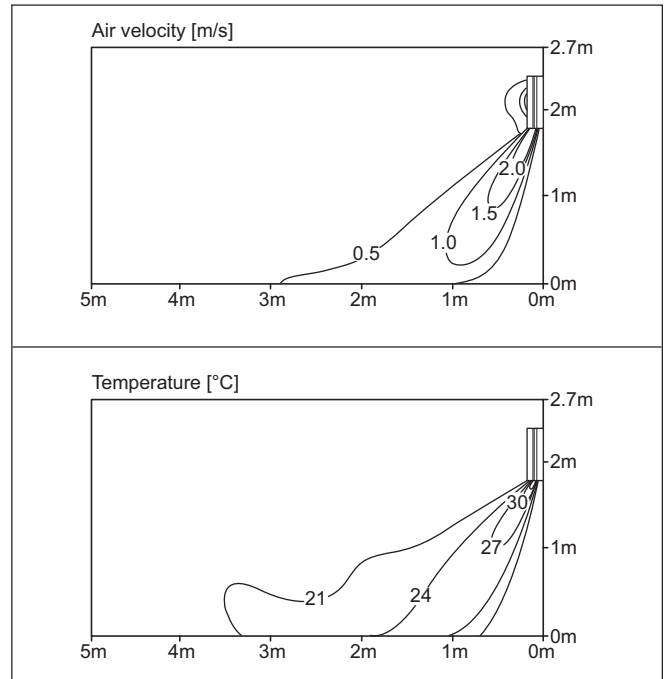
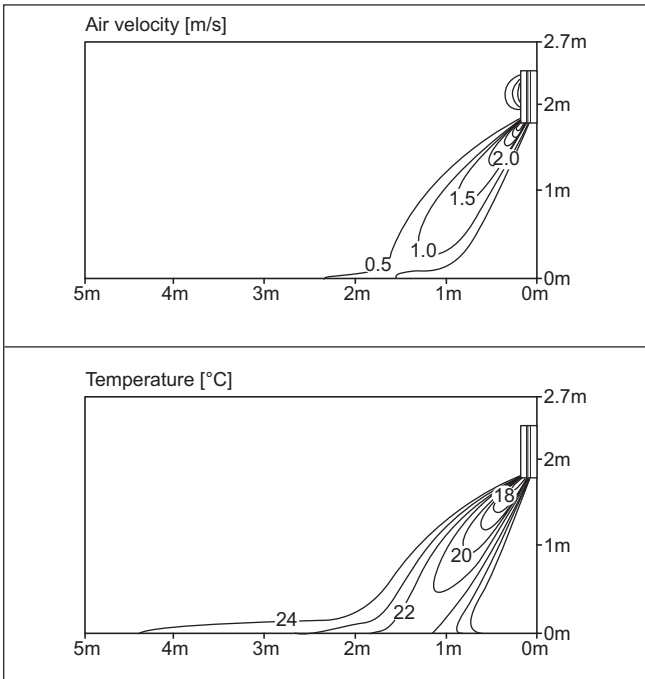
### ■ Model : ZMNW12GAF10 [MA12R NF1]

Cooling

Heating

Discharge angle: 40°

Discharge angle: 50°



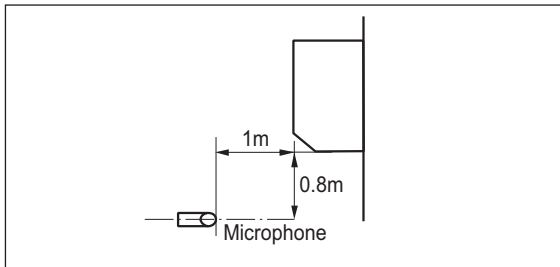
**Note**

- These figures are accordance with normal certain condition and environment. (Airflow step is 'High', Air discharge angle is fixed as indicated angle.)
- Indoor airflow distribution under actual installation or operating conditions depends on ambient temperature, ceiling height, product installation direction / location, indoor / Heating load, and other obstacles, etc.

# 7. Sound levels

## 7.1 Sound pressure level

### Overall

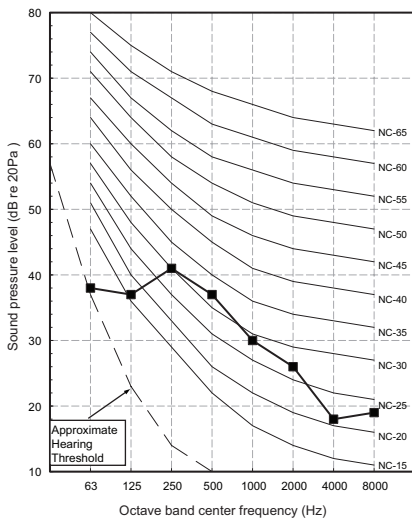


**Note**

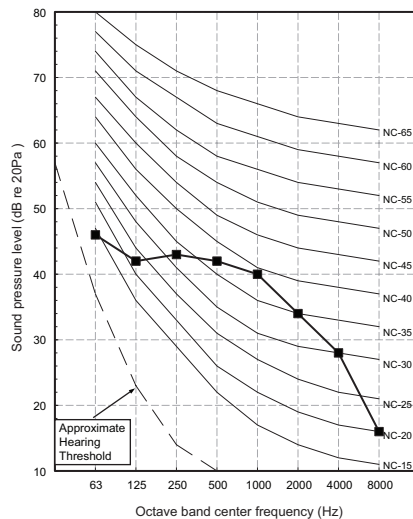
1. Sound measured at some distance away from the center of the unit.
2. Data is valid at free field condition.
3. Reference acoustic pressure 0dB = 20μPa.
4. Data is valid at nominal operation condition.  
Refer to the Model Specifications for nominal conditions(Power source and Ambient temperature, etc)
5. Sound levels can be increased in accordance with installation and operating conditions. (Static pressure mode, used air guide, Room target temperature setting, etc)
6. Sound level will vary depending on a range of factors such as the construction(acoustic absorption coefficient) of particular room in which the equipment is installed.
7. Sound pressure level is measured on the rated condition in the anechoic rooms. (LG Internal Standard)  
Therefore, these values can be increased owing to ambient conditions during operation.

Model	50Hz, 220-240V		
	Sound pressure Levels [dB(A)]		
	H	M	L
ZMNW09GAF10 [MA09R NF1]	38	32	27
ZMNW12GAF10 [MA12R NF1]	44	38	32

**ZMNW09GAF10 [MA09R NF1]**



**ZMNW12GAF10 [MA12R NF1]**



## 7. Sound levels

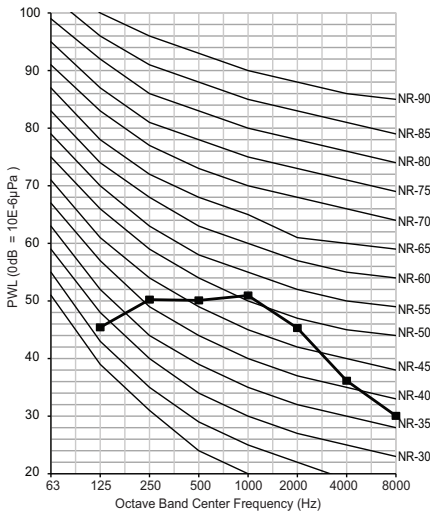
### 7.2 Sound power level

**Note**

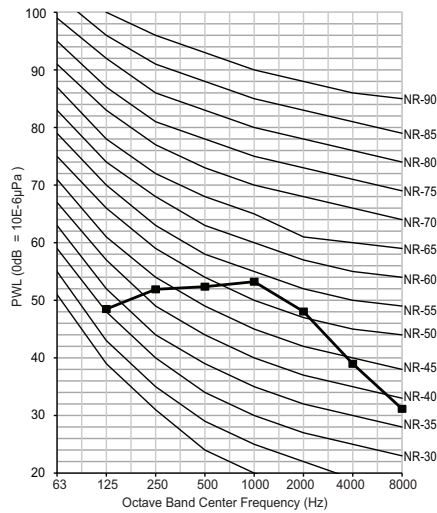
1. Data is valid at diffuse field condition.
2. Data is valid at nominal operation condition.  
Refer to the Model Specifications for nominal conditions(Power source and Ambient temperature, etc)
3. Sound level can be increased in static pressure mode or used air guide.
4. Sound level will vary depending on a range of factors such as the construction (acoustic absorption coefficient).
5. Reference acoustic intensity 0dB = 10E-6μW/m<sup>2</sup>
6. Sound power level is measured on the rated condition in the reverberation rooms by ISO 3741 standard.  
Therefore, these values can be increased owing to ambient conditions during operation.

Model	Sound power level [dB(A)]
ZMNW09GAF10 [MA09R NF1]	52
ZMNW12GAF10 [MA12R NF1]	54

**ZMNW09GAF10 [MA09R NF1]**



**ZMNW12GAF10 [MA12R NF1]**



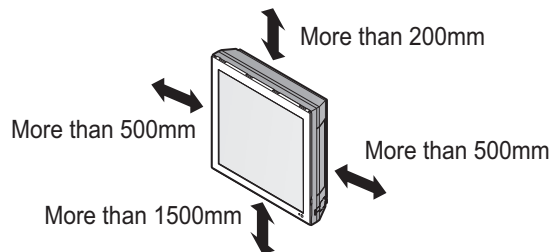
## 8. Installation

---

- Please read the instruction sheets completely before installing the product.
  - When the power cord is damaged, replacement work shall be performed by authorized personnel only.
  - Installation work must be performed in accordance with the national wiring standards by authorized personnel only.
- 

### 8.1 Selection of the best location

- Do not have any heat or steam near the unit.
- Select a place where there are no obstacles in front of the unit.
- Make sure that condensation drainage can be conveniently routed away.
- Do not install near a doorway.
- Ensure that the interval between a wall and the left (or right) of the unit is more than 500mm. The unit should be installed as high as possible on the wall, allowing a minimum of 200mm from ceiling.
- Use a stud finder to locate studs to prevent unnecessary damage to the wall.
- The mounting wall should be strong and solid enough to protect it from the vibration.



---

#### **⚠ CAUTION**

- Install the indoor unit on the wall where the height from the floors is more than 1.5 meters.
-

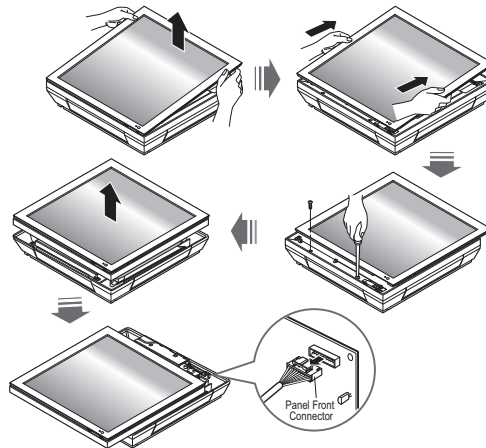


## 8. Installation

### 8.2 Preparing work for installation

#### 1. Open front panel

- 1) Pull the upper part of the front panel
- 2) Lift up the panel
- 3) To detach the front panel, remove the two screws at the lower part
- 4) Detach the front panel from the body
- 5) To detach the panel, disconnect the connector at the upper part

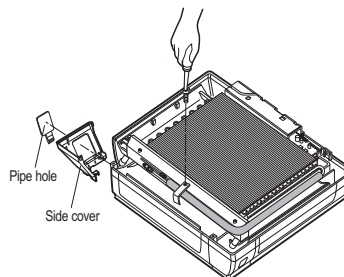


#### 2. Removing pipe cover and side cover

- 1) Remove the screw of the center tuning cover.
- 2) Pull up the side cover of desired connecting direction, then cover side is separated.
- 3) Pick the pipe hole of the side cover

### **CAUTION**

- After removing the pipe hole, cut the burr for safety.

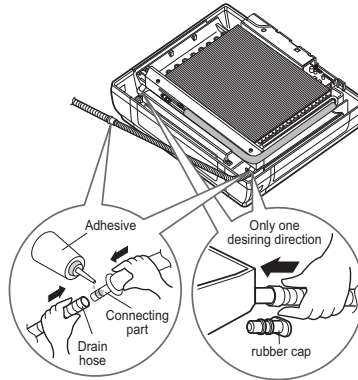


When connecting pipe path through rear wall, don't remove the hole.

## 8. Installation

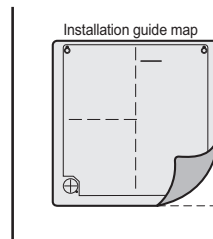
### 3. Drain hose junction

- 1) Remove the rubber stopped in the desired drain direction.
- 2) Insert drain hose into the handle of drain pan, and join drain hose and connecting hose according to the figure by.

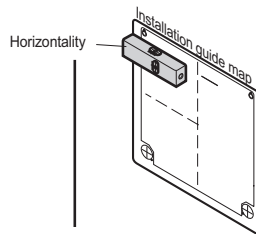


### 4. Sticking the installation guide map and fixing indoor unit

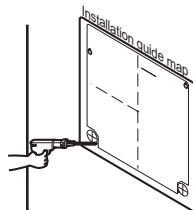
- 1) Put up the installation guide map on the desired surface.



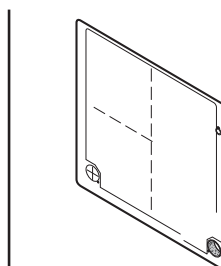
- 2) Check the level by horizontal mete and fix lightly the map by adhesive tape.



- 3) Make a hole with diameter of 6mm and depth of 30-35mm when piercing a screw point.

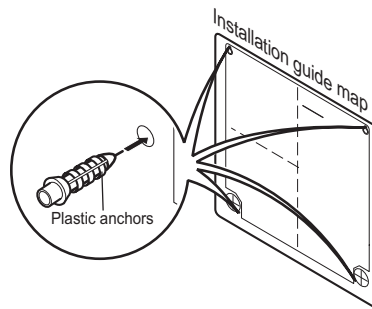


- 4) Drill the piercing part for connecting pipe as diameter 50mm. (In case of piercing rear surface)

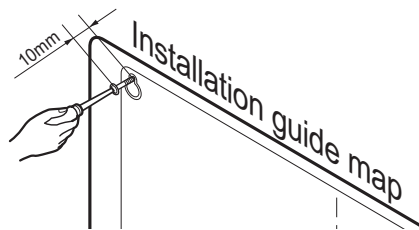


- 5) Drive the four plastic anchors into drilled points.

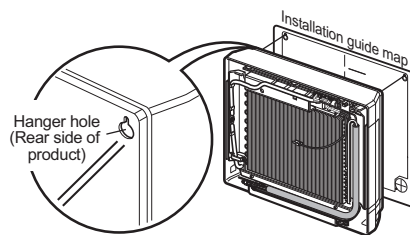
## 8. Installation



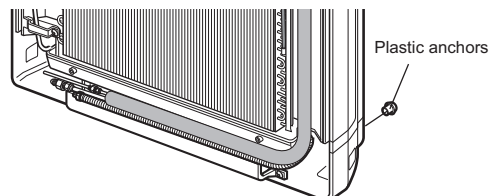
- 6) First, drive the two points of the upper parts by screws. (Leave 10mm for hanging product)



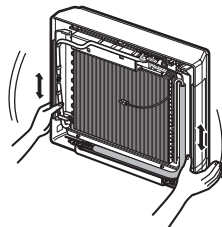
- 7) Hang the hole of product at the upper screws. (at this time, remove the map) (Make sure the product do not fall down)



- 8) Drive the lower parts after facing the hole of product with plastic anchors, and fix completely the upper screws.



- 9) Check if the product is fixed properly by slightly moving the product.



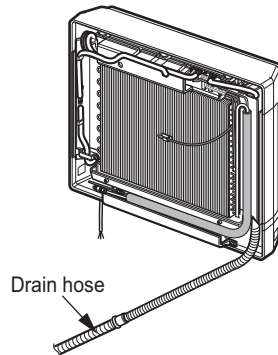
- 10) If nothing is wrong till now then connect the pipe and the wire.  
(Refer to the installation manual reference)

## 8. Installation

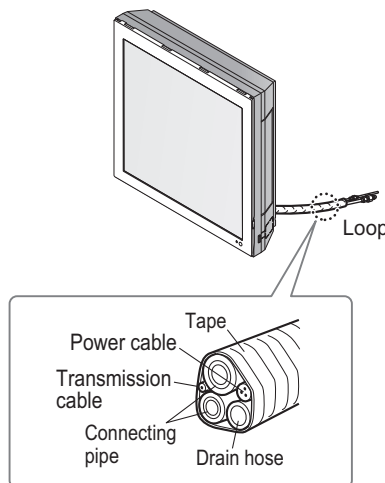
### 8.3 Connection of piping

- Preparing the indoor unit's piping and drain hose for installation through the wall.

1. Route the indoor tubing and the drain hose in the direction of rear left or right



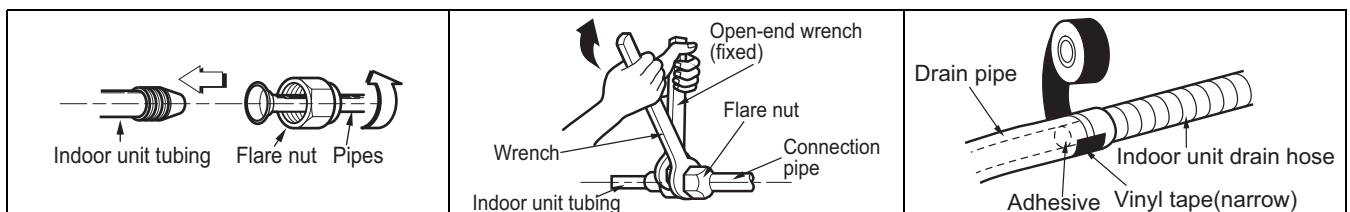
2. Tape the tubing, drain hose and the connecting cable. Make sure that the drain hose is located at the lowest side of the bundle. Locating at the upper side can cause drain pan to overflow inside the unit.



#### Note

- If the drain hose is routed inside the room, insulate the hose with an insulation material\* so that dripping from condensation will not damage furniture or floors.
- Foamed polyethylene or equivalent is recommended.

#### ■ Connecting the installation pipe and drain hose

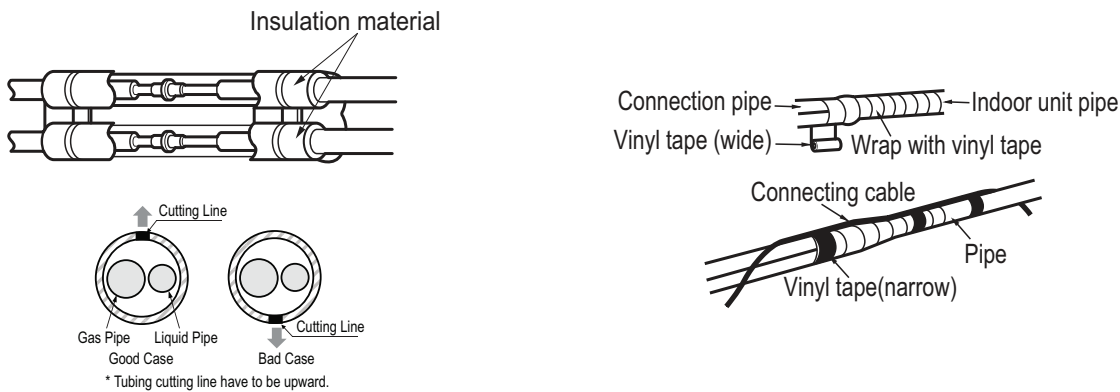


- Align the center of the pipes and sufficiently tighten the flare nut by hand.
- Tighten the flare nut with a wrench.
- When needed to extend the drain hose of indoor unit, assembly the drain pipe as shown on the drawing.

## 8. Installation

### ■ Wrap the insulation material around the connecting portion.

1. Overlap the connection pipe insulation material and the indoor unit pipe insulation material. Bind them together with vinyl tape so that there may be no gap.
2. Set the tubing cutting line upward. Wrap the area which accommodates the rear piping housing section with vinyl tape.
3. Bundle the piping and drain hose together by wrapping them with vinyl tape sufficient enough to cover where they fit into the rear piping housing section. Be sure that the drain hose is located at the lowest side of the bundle. Locating at the upper side can cause overflow from the drain pan through the inside of the unit.



### ⚠ CAUTION

If the drain hose is routed inside the room insulate the hose with an insulation material\* so that dripping from sweating condensation) will not damage furniture or floors.

\* Foamed polyethylene or equivalent is recommended.

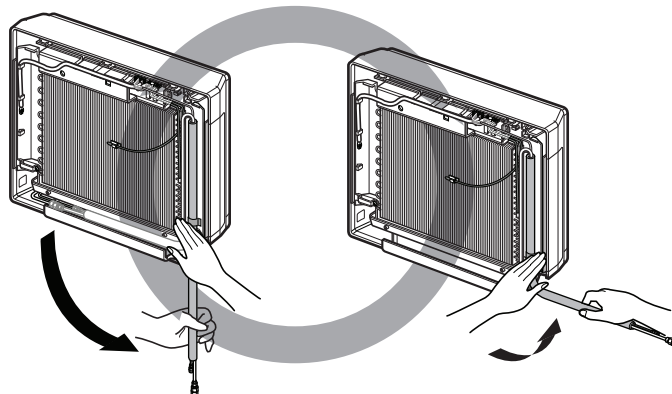
### ⚠ WARNING

#### Installation Information (For right piping)

##### • Correct method

For right piping, follow the instruction given below.

1. Press on the upper side of clamp and unfold the tubing to downward slowly.



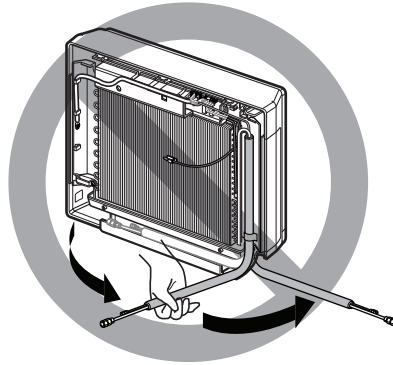
2. Bend the tubing to the right side of chassis.

## 8. Installation

---

- **Wrong method**

1. Following bending type from left to right could cause problem of pipe damage.

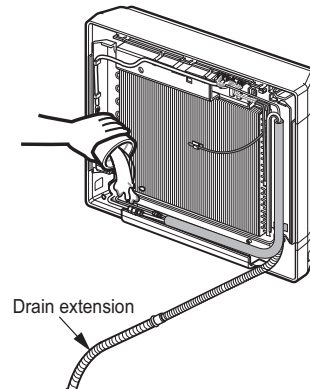


## 8. Installation

### 8.4 Checking the drainage

#### ◆ To check the drainage.

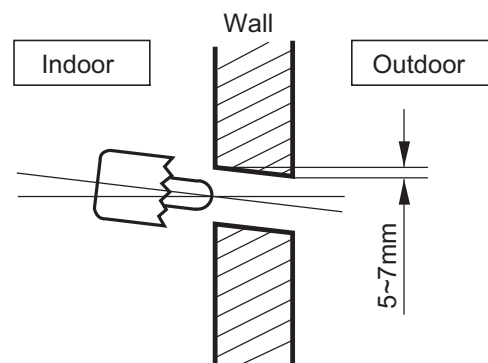
1. Pour a glass of water on the evaporator.
2. Ensure the water flows through the drain hose of the indoor unit without any leakage and goes out the drain exit.
3. Do not use 'Anti freezing solution.



\* The feature can be changed according to type of model.

#### ◆ Drill a Hole in the wall

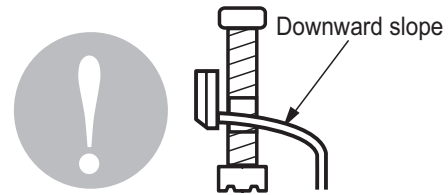
1. Drill the piping hole with a  $\varnothing$  70mm hole core drill. Drill the piping hole at either the right or the left with the holes slightly slanted to the outdoor side.



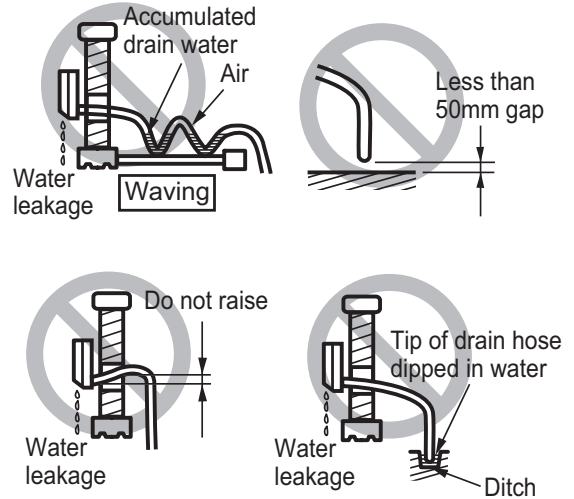
# 8. Installation

## ◆ Drain Piping

1. The drain hose should point downward for easy drain flow

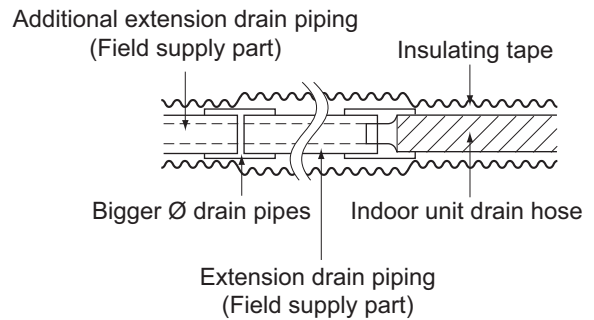


2. Do not make drain piping like the following.



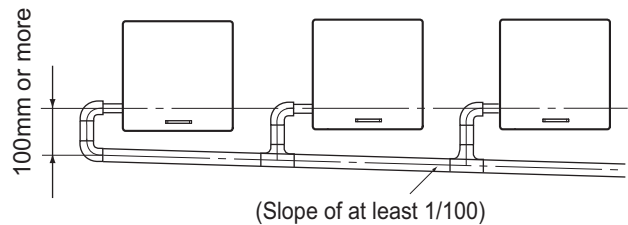
\* The feature can be changed according to type of model.

3. When extending the drain hose, use a commercially available drain extension hose, and be sure to insulate the extended section of the drain hose which is outdoors.



4. Make sure the diameter of the extension drain piping is the same as the indoor unit drain hose size or bigger.

5. In case of converging multiple drain pipes, install them referring to figure.



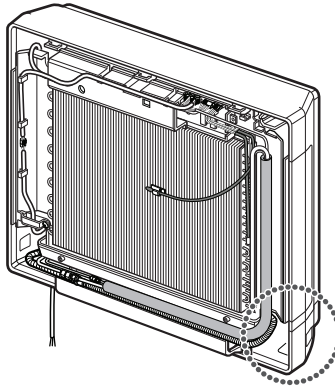
6. Select diameter of drain piping which adapts to the capacity of the unit connected



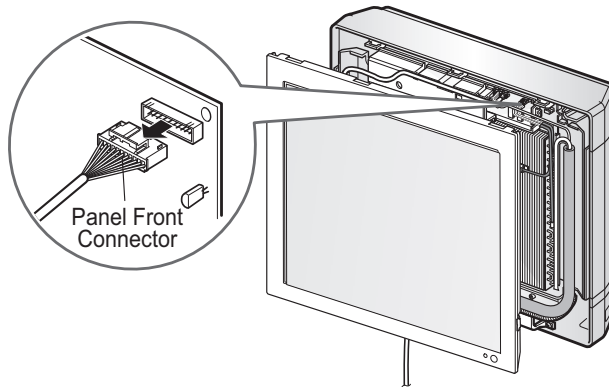
## 8. Installation

### 8.5 Front panel assembly

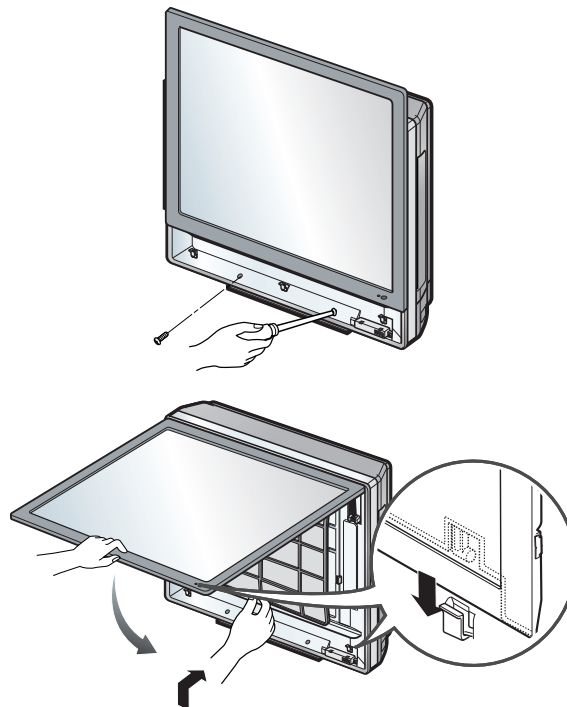
1. First, check the side cover assembly exactly then fix power cord in the bottom groove of cover's left side.



2. Assemble connecting lead wire with controller and first fix the upper part of panel front then match the lower part of panel front



3. Screw up panel front, and suspend the Hook of panel front in the groove



## 8. Installation

---

### 8.6 Connecting the cable

1. Connect the cable to the indoor unit by connecting the wires to the terminals on the control board individually according to the outdoor unit connection. (Ensure that the color of the wires of the outdoor unit and the terminal no. are the same as those of the indoor unit.)  
The earth wire should be longer than the common wires.
  2. When installing, refer to the circuit diagram on the control box of indoor unit.
    - When installing, refer to the wiring diagram on the control cover inside outdoor unit.
- 

#### CAUTION

- The above circuit diagram is subject to change without notice.
  - Be sure to connect wires according to the wiring diagram.
  - Connect the wires firmly, so that it cannot be pulled out easily.
  - Connect the wires according to color codes by referring to the wiring diagram.
- 

#### CAUTION

After the confirmation of the above conditions, prepare the wiring as follows:

1. **Never fail to have an individual power circuit specifically for the air conditioner. As for the method of wiring, be guided by the circuit diagram posted on the inside of control cover.**
  2. **The screw which fasten the wiring in the casing of electrical fittings are liable to become loose due from vibrations to which the unit is subjected during the course of transportation. Check them and make sure that they are all tightly fastened. (If they are loose, it could cause burn-out of the wires.)**
  3. **Confirm the specification of power source.**
  4. **Confirm that electrical capacity is sufficient.**
  5. **See to that the starting voltage is maintained at more than 90 percent of the rated voltage marked on the name plate.**
  6. **Confirm that the cable thickness is as specified in the power source specification. (Particularly note the relation between cable length and thickness.**
  7. **Never fail to equip a leakage breaker where it is wet and moist area.**
  8. **The following would be caused by voltage drop.**
    - **Vibration of a magnetic switch, which will damage the contact point, fuse breaking, disturbance of the normal function of the overload.**
  9. **The means for disconnection from a power supply shall be incorporated in the fixed wiring and have an air gap contact separation of at least 3mm in each active(phase) conductors.**
-

# **MULTI/SINGLE**

Indoor unit

## **ART COOL Silver**

- 1.List of Functions**
- 2.Specifications**
- 3.Dimensions**
- 4.Piping diagrams**
- 5.Wiring diagrams**
- 6.Air flow and temperature distribution**
- 7.Sound levels**
- 8.Installation**

# 1. List of functions

## ◆ List of function

Category	Functions	S3NM09JASZA[AC09SQ NSJ] S3NM12JASZA[AC12SQ NSJ] S3NM18KLSZA[AC18SQ NSK]
Air Flow	Air Supply Outlet	1
	Airflow Direction Control (left & right)	Auto
	Airflow Direction Control (up & down)	Auto
	Auto Swing (left & right)	O
	Auto Swing (up & down)	O
	Airflow Steps (fan/cool/heat)	6 / 6 / 6
	Fan Speed Auto*	Advanced
	Power Cool/Heat	O / O
	Swirl Wind*	X
	Refresh Mode**	X
	Smart Mode**	X
	Indirect Wind*	O
	Direct Wind*	O
	Dry Operation	O
Air Purification	Air Purify	X
	Ionizer	O
	UV-C	X
	Pre-Filter	O
	PM1.0 Filter	X
Reliability	Hot Start	O
	Self Diagnosis	O
Convenience	Auto Mode	O
	Auto Dry Operation	O
	Auto Restart	O
	Child Lock*	O
	Forced Operation	O
	Group Control*	X
	Sleep Timer	O
	Turn On/Off Reservation	O
	Schedule*	O
	Two Thermistor Control*	O
External On/Off	X	
Installation	Drain Pump	X
	E.S.P. Control*	X
	High Ceiling Operation*	X
Special Functions	Wi-Fi	Embedded
	Auto Elevation Grille	X
	Human Detection Function**	X
	Floor Detection Function**	X

### Note

- O : Applied, X : Not Applied, - : Unconfirmed or irrelevant  
Embedded : A kit is provided by default for using this function when the product is manufactured.  
Accessory : Ordered and purchased separately the accessory package referring to the model name provided and install at field. Accessory line-ups varies by region, so check your local catalogue or local sales material.
- Some functions can be limited by remote controller.
- In case of cassette type indoor units, Air Purification Kit and Auto Elevation Grille functions are not applicable at the same time.
- 'Auto Mode' varies depending on the outdoor unit type.
  - Auto Change Over(Single Heat Pump Outdoor Unit)
  - Auto Mode Select(Multi Heat Pump Outdoor Unit)
  - Auto Intensity Control(Cooling Only Outdoor Unit)
- \* : These functions need to connect the wired remote controller.
- \*\* : This functions need to connect to the Standard III wired remote controller.

# 1. List of functions

## ◆ Accessory Compatibility List

Category		Product	Remark	S3NM09JASZA[AC09SQ NSJ] S3NM12JASZA[AC12SQ NSJ] S3NM18KLSZA[AC18SQ NSK]
Wireless Remote Controller		PQWRHQ0FDB	Heat Pump	O (Embedded)
		PWLSSB21H	Heat Pump	O
Wired Remote Controller	Simple	PQRCVCL0Q(W)	Simple	O
		PQRCHCA0Q(W)	for Hotel	O
	Standard	PREMTB001	Standard II (White)	O
		PREMTBB01	Standard II (Black)	O
		PREMTB100	Standard III (White)	O
		PREMTBB10	Standard III (Black)	O
	Premium	PREMTA000(A/B)	Premium	X
Dry contact	Simple Contact	PDRYCB000	Simple Dry Contact	O
	Communication type	PDRYCB400	2 Points Dry Contact (For Setback)	O
		PDRYCB300	For 3rd Party Thermostat	O
		PDRYCB320	For 3rd Party Thermostat (Analog Input)	O
		PDRYCB500	For Modbus	O
Gateway	IDU PI485	PHNFP14A0	Without case	X
		PSNFP14A0	With case	X
ETC	Remote temperature sensor	PQRSTA0	-	X
	Zone controller	ABZCA	-	X
	CO <sub>2</sub> Sensor	PES-C0RV0	For ERV, ERV DX Indoor units	X
	Group control wire	PZCWRCG3	0.25m	X
	2-Remo Control Wire	PZCWRC2	0.25m	X
	Extension Wire	PZCWRC1	10m	O
	Wi-Fi Controller*	PWFMD200	-	O (Embedded)
	Human detecting sensor	PTVSAA0	-	X

### Note

1. O: Possible, X: Impossible, -: Not applicable, Embedded: Included with product.
2. \*: Some advanced functions controlled by individual controller cannot be operated.
3. If there is a difference in development time between the product and the remote controller, some functions cannot be operated.
4. Selecting a wireless remote controller in case of ducted type indoor units requires either a connection to the wired remote controller (Standard II) or an IR receiver accessory to be connected to the duct in order to receive the signal.
5. If you need more detail, please refer to the **BECON** PDB or the manual of product. (<http://partner.lge.com/global> : Home> Doc.Library> Product > Control(BECON))

## 2. Specifications

Model Name			S3NM09JASZA [AC09SQ NSJ]	
Power Supply		V, Ø, Hz	220-240, 1, 50	
			220, 1, 60	
Capacity(Nominal)	Cooling	kW	2.5	
	Heating	kW	3.3	
Power Input	Min./Nom./Max.	W	11 / 18 / 30	
Running Current	Min./Nom./Max.	A	0.10 / 0.16 / 0.20	
Exterior Color code		-	Munsell N8.5 (RAL 9018)	
Dimensions	Body	W x H x D	mm	837 × 308 × 192
		W x H x D	inch	32-15/16 × 12-1/8 × 7-9/16
	Shipping	W x H x D	mm	914 × 388 × 261
		W x H x D	inch	35-31/32 × 15-9/32 × 10-9/32
Weight	Body		kg (lbs)	9.9 (21.8)
	Shipping		kg (lbs)	13.6 (30.0)
Heat Exchanger	(Row x Column x Fins per inch) x No.		-	(2 × 15 × 21) × 1
	Face Area		m <sup>2</sup> (ft <sup>2</sup> )	0.19 (2.05)
	Corrosion Protection		-	PCM
	Fin Type		-	Slit
	Material, Tube / Fin		-	Cu / Al
Fan	Type		-	Cross Flow Fan
	Air Flow Rate	(Cooling) SH / H / M / L	m <sup>3</sup> /min	12.5 / 10.0 / 7.5 / 4.2
			ft <sup>3</sup> /min	441 / 353 / 265 / 148
		(Heating) SH / H / M / L	m <sup>3</sup> /min	13.0 / 10.0 / 7.2 / 5.6
			ft <sup>3</sup> /min	459 / 353 / 254 / 198
Fan Motor	Type		-	BLDC
	Output		W x No.	30 x 1
Sound Pressure Level	(Cooling) SH / H / M / L / SL		dB(A)	45 / 41 / 35 / 27 / 19
	(Heating) SH / H / M / L / SL		dB(A)	45 / 41 / 35 / 27 / -
Sound Power Level	Rated		dB(A)	59
Piping Connections	Liquid		mm(inch)	Ø 6.35 (1/4)
	Gas		mm(inch)	Ø 9.52 (3/8)
	Drain	O.D. / I.D.	mm	21.5 / 16.0
Safety Devices		-	Fuse	
		-	Thermal Preotector for Fan Motor	
Connections Method		-	Flared	
Power and Communication Cable (included Earth)		No. x mm <sup>2</sup> (AWG)	4C x 1.0	

### Note

1. Due to our policy of innovation some specifications may be changed without notification.
2. Wiring cable size must comply with the applicable local and national code. And "Electric characteristics" chapter should be considered for electrical work and design. Especially the power cable and circuit breaker should be selected in accordance with that.
3. Sound Level Values are measured at Noise Measuring chamber accordance with standard. Therefore, these values depend on the ambient conditions and values are normally higher in actual operation(Sound Pressure : LG Internal standard, Sound Power : EN 12102 (ISO 3741).
4. Capacities are net capacities and based on the following conditions. Refer to the Outdoor Unit Specifications for calculating the real capacity.
  - Cooling : Indoor Ambient Temp. 27°CDB / 19°CWB, Outdoor Ambient Temp. 35°CDB / 24°CWB
  - Heating : Indoor Ambient Temp. 20°CDB / 15°CWB, Outdoor Ambient Temp. 7°CDB / 6°CWB
  - Interconnected Pipe is standard length and difference of Elevation (Outdoor ~ Indoor Unit) is 0m.

## 2. Specifications

Model Name			S3NM12JASZA [AC12SQ NSJ]	
Power Supply		V, Ø, Hz	220-240, 1, 50	
			220, 1, 60	
Capacity(Nominal)	Cooling	kW	3.5	
	Heating	kW	4.0	
Power Input	Min./Nom./Max.	W	11 / 19 / 30	
Running Current	Min./Nom./Max.	A	0.10 / 0.17 / 0.20	
Exterior Color code		-	Munsell N8.5 (RAL 9018)	
Dimensions	Body	W x H x D	mm	837 × 308 × 192
		W x H x D	inch	32-15/16 × 12-1/8 × 7-9/16
	Shipping	W x H x D	mm	914 × 388 × 261
		W x H x D	inch	35-31/32 × 15-9/32 × 10-9/32
Weight	Body		kg (lbs)	9.9 (21.8)
	Shipping		kg (lbs)	13.6 (30.0)
Heat Exchanger	(Row x Column x Fins per inch) x No.		-	(2 × 15 × 21) × 1
	Face Area		m <sup>2</sup> (ft <sup>2</sup> )	0.19 (2.05)
	Corrosion Protection		-	PCM
	Fin Type		-	Slit
	Material, Tube / Fin		-	Cu / Al
Fan	Type		-	Cross Flow Fan
	Air Flow Rate	(Cooling) SH / H / M / L	m <sup>3</sup> /min	12.5 / 10.0 / 7.5 / 4.2
			ft <sup>3</sup> /min	441 / 353 / 265 / 148
		(Heating) SH / H / M / L	m <sup>3</sup> /min	13.0 / 10.0 / 7.2 / 5.6
			ft <sup>3</sup> /min	459 / 353 / 254 / 198
Fan Motor	Type		-	BLDC
	Output		W x No.	30 x 1
Sound Pressure Level	(Cooling) SH / H / M / L / SL		dB(A)	45 / 41 / 35 / 27 / 19
	(Heating) SH / H / M / L / SL		dB(A)	45 / 41 / 35 / 27 / -
Sound Power Level	Rated		dB(A)	59
Piping Connections	Liquid		mm(inch)	Ø 6.35 (1/4)
	Gas		mm(inch)	Ø 9.52 (3/8)
	Drain	O.D. / I.D.	mm	21.5 / 16.0
Safety Devices		-	Fuse	
		-	Thermal Preotector for Fan Motor	
Connections Method		-	Flared	
Power and Communication Cable (included Earth)		No. x mm <sup>2</sup> (AWG)	4C x 1.0	

### Note

1. Due to our policy of innovation some specifications may be changed without notification.
2. Wiring cable size must comply with the applicable local and national code. And "Electric characteristics" chapter should be considered for electrical work and design. Especially the power cable and circuit breaker should be selected in accordance with that.
3. Sound Level Values are measured at Noise Measuring chamber accordance with standard. Therefore, these values depend on the ambient conditions and values are normally higher in actual operation(Sound Pressure : LG Internal standard, Sound Power : EN 12102 (ISO 3741).
4. Capacities are net capacities and based on the following conditions. Refer to the Outdoor Unit Specifications for calculating the real capacity.
  - Cooling : Indoor Ambient Temp. 27°CDB / 19°CWB, Outdoor Ambient Temp. 35°CDB / 24°CWB
  - Heating : Indoor Ambient Temp. 20°CDB / 15°CWB, Outdoor Ambient Temp. 7°CDB / 6°CWB
  - Interconnected Pipe is standard length and difference of Elevation (Outdoor ~ Indoor Unit) is 0m.

## 2. Specifications

Model Name			S3NM18KLSZA [AC18SQ NSK]	
Power Supply		V, Ø, Hz	220-240, 1, 50	
			220, 1, 60	
Capacity(Nominal)	Cooling	kW	5.0	
	Heating	kW	5.8	
Power Input	Min./Nom./Max.	W	26 / 39 / 60	
Running Current	Min./Nom./Max.	A	0.22 / 0.28 / 0.40	
Exterior Color code		-	Munsell N8.5 (RAL 9018)	
Dimensions	Body	W x H x D	mm	998 x 345 x 212
		W x H x D	inch	39-9/32 x 13-19/32 x 8-11/32
	Shipping	W x H x D	mm	1,085 x 427 x 286
		W x H x D	inch	42-23/32 x 16-13/16 x 11-1/4
Weight	Body	kg (lbs)	12.8(28.2)	
	Shipping	kg (lbs)	17.4(38.3)	
Heat Exchanger	(Row x Column x Fins per inch) x No.		-	(2 x 16 x 20) x 1
	Face Area		m <sup>2</sup> (ft <sup>2</sup> )	0.28 (3.01)
	Corrosion Protection		-	PCM
	Fin Type		-	Slit
	Material, Tube / Fin		-	Cu / Al
Fan	Type		-	Cross Flow Fan
	Air Flow Rate	(Cooling) SH / H / M / L	m <sup>3</sup> /min	15.5 / 14.5 / 13.0 / 10.5
			ft <sup>3</sup> /min	547 / 512 / 459 / 371
		(Heating) SH / H / M / L	m <sup>3</sup> /min	18.5 / 16.0 / 13.5 / 11.0
			ft <sup>3</sup> /min	653 / 565 / 477 / 388
Fan Motor	Type		-	BLDC
	Output		W x No.	30 x 1
Sound Pressure Level	(Cooling) SH / H / M / L / SL		dB(A)	47 / 44 / 39 / 34 / 31
	(Heating) SH / H / M / L / SL		dB(A)	48 / 44 / 39 / 34 / -
Sound Power Level	Rated		dB(A)	60
Piping Connections	Liquid		mm(inch)	Ø 6.35 (1/4)
	Gas		mm(inch)	Ø 12.7 (1/2)
	Drain	O.D. / I.D.	mm	21.5 / 16.0
Safety Devices		-	Fuse	
		-	Thermal Preotector for Fan Motor	
Connections Method		-	Flared	
Power and Communication Cable (included Earth)		No. x mm <sup>2</sup> (AWG)	4C x 1.0	

### Note

1. Due to our policy of innovation some specifications may be changed without notification.
2. Wiring cable size must comply with the applicable local and national code. And "Electric characteristics" chapter should be considered for electrical work and design. Especially the power cable and circuit breaker should be selected in accordance with that.
3. Sound Level Values are measured at Noise Measuring chamber accordance with standard. Therefore, these values depend on the ambient conditions and values are normally higher in actual operation(Sound Pressure : LG Internal standard, Sound Power : EN 12102 (ISO 3741).
4. Capacities are net capacities and based on the following conditions. Refer to the Outdoor Unit Specifications for calculating the real capacity.
  - Cooling : Indoor Ambient Temp. 27°CDB / 19°CWB, Outdoor Ambient Temp. 35°CDB / 24°CWB
  - Heating : Indoor Ambient Temp. 20°CDB / 15°CWB, Outdoor Ambient Temp. 7°CDB / 6°CWB
  - Interconnected Pipe is standard length and difference of Elevation (Outdoor ~ Indoor Unit) is 0m.



# 3. Dimensions

## ◆ ARTCOOL Mirror (SJ Chassis)

S3NM09JASZA[AC09SQ NSJ], S3NM12JASZA[AC12SQ NSJ]

[Unit : mm]  
Chassi code : SJ  
DWG No. : TBN36794302\_Rev02

**3D VIEW**

**Fixing the installation plate, drilling hole**

**Connecting gas/liquid pipe**

Approx. 288 to gas pipe  
Approx. 218 to liquid pipe

In case of left side piping

**Note**

- Unit should be installed in compliance with the installation manual in the product box.
- Unit should be grounded in accordance with the local regulations or applicable national codes.
- All electrical components and materials to be supplied from the site must comply with the local regulations or international codes.
- Electric characteristics Chapter should be considered for electrical work and design. Especially the power cable and circuit breaker should be selected in accordance with that.

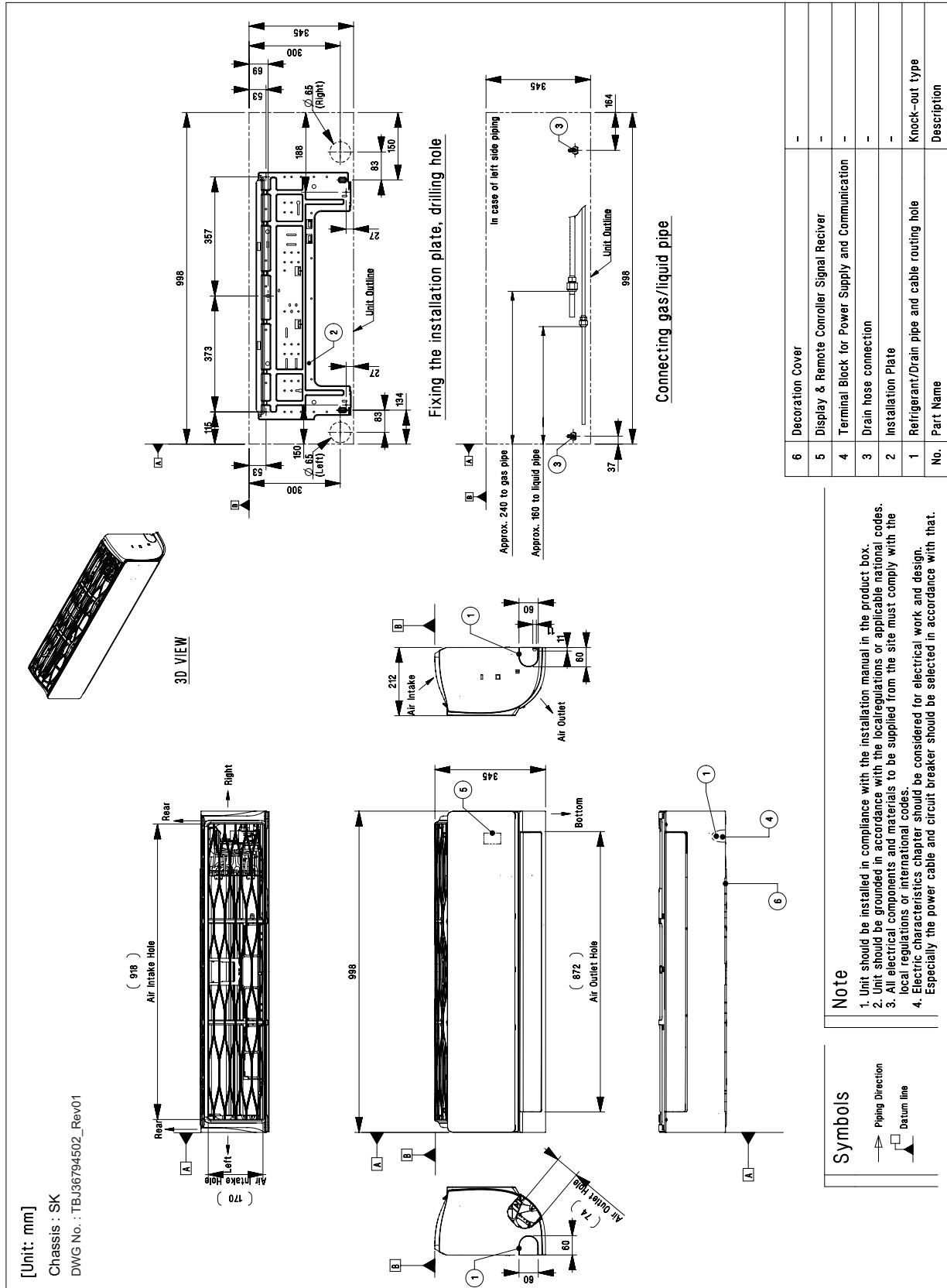
**Symbols**

↑ Piping Direction  
□ Datum line

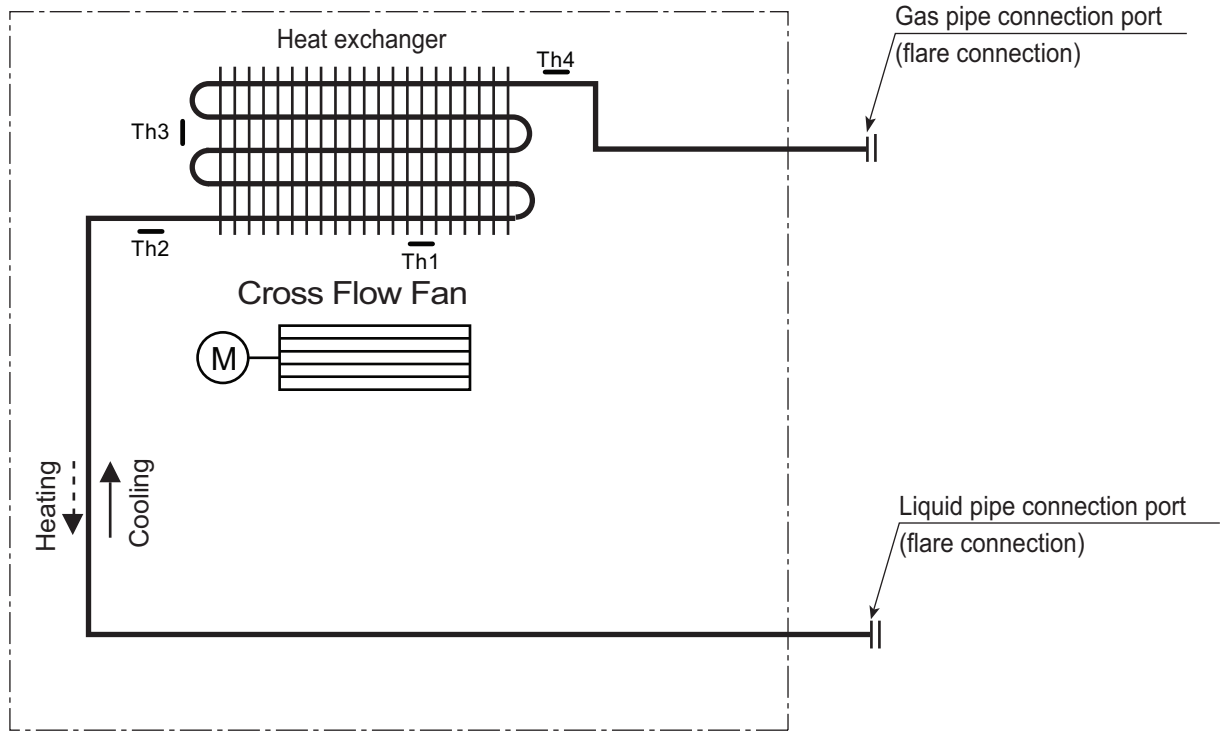
No.	Part Name	Description
6	Decoration Cover	-
5	Display & Remote Controller Signal Receiver	-
4	Terminal Block for Power Supply Communication	-
3	Drain hose connection	-
2	Installation Plate	-
1	Refrigerant, Drain pipe and cable routing hole	Knock-out type

# 3. Dimensions

## ◆ ARTCOOL Mirror (SK Chassis) S3NM18KLSZA[AC18SQ NSK]



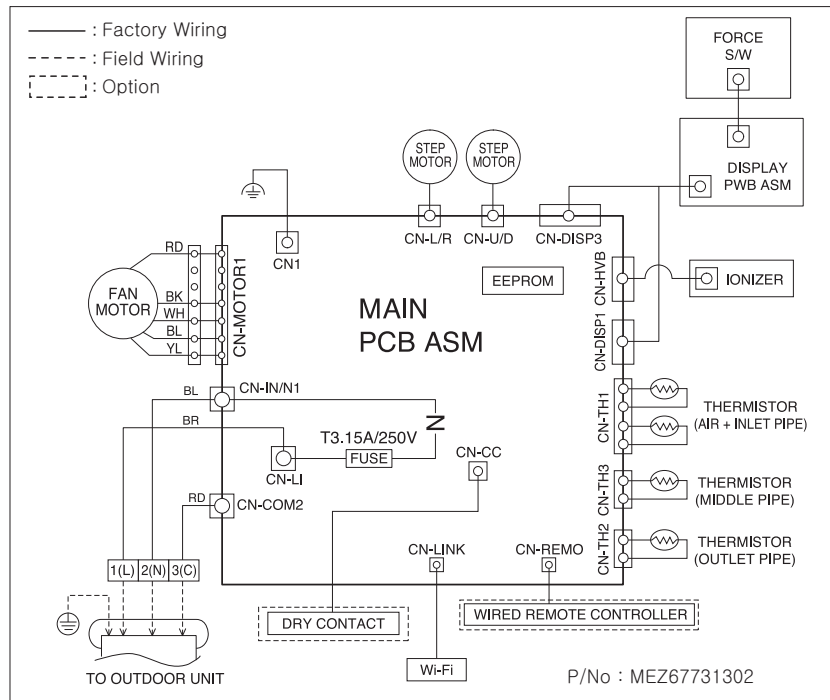
# 4. Piping diagrams



LOC.	Description	PCB Connector
Th1	Thermistor for suction air temperature	CN-TH1
Th2	Thermistor for evaporator inlet temperature	
Th3	Thermistor for evaporator middle temperature	CN-TH3
Th4	Thermistor for evaporator outlet temperature	CN-TH2

# 5. Wiring Diagrams

■ Models : S3NM09JASZA[AC09SQ NSJ], S3NM12JASZA[AC12SQ NSJ], S3NM18KLSZA[AC18SQ NSK]



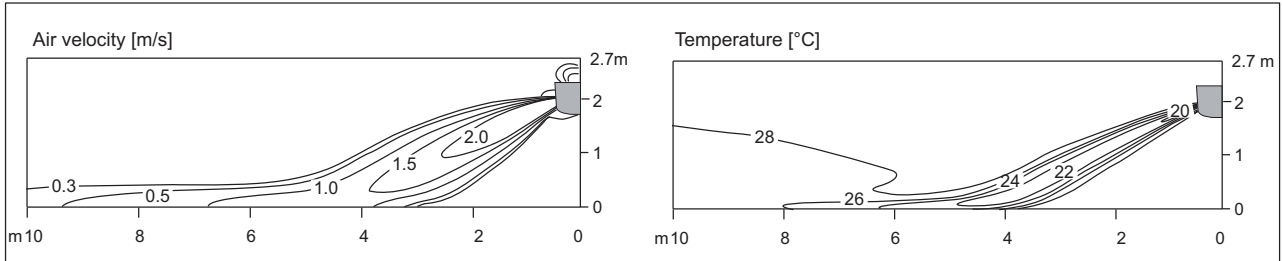
## 6. Air flow and temperature distributions (reference data)

■ Models : S3NM09JASZA[AC09SQ NSJ], S3NM12JASZA[AC12SQ NSJ],

### ◆ Cooling

#### Side View

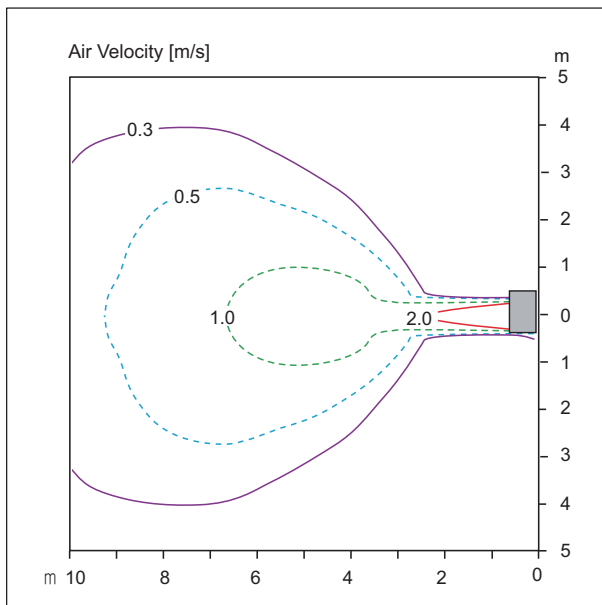
Discharge angle: 35°



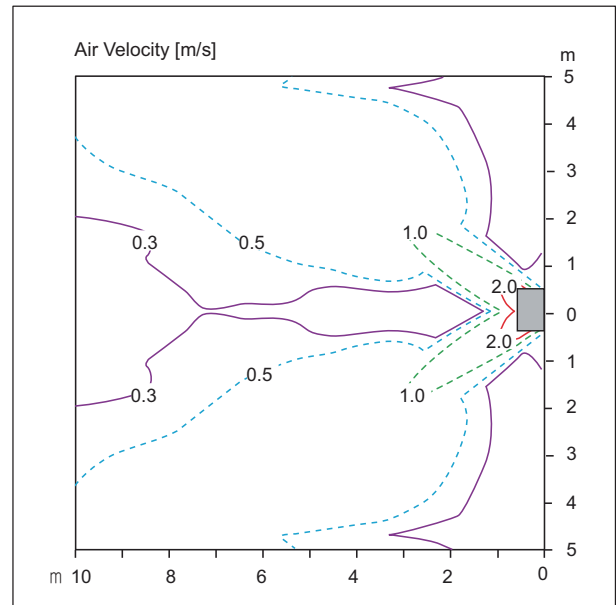
- Vertical Louver : Center
- Fan speed : Super High

#### Top View

Discharge angle: 35°



- Vertical Louver : Center
- Vertical Vane : 0°
- Fan speed : Super High
- Air speed 0.3m/s Range : 11.5m



- Vertical Louver : Left & Right
- Vertical Vane : 55°
- Fan speed : Super High

### Note

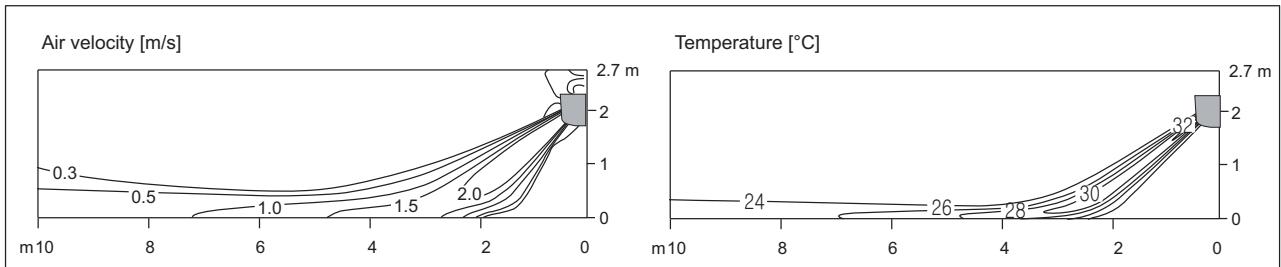
- These figures are accordance with normal certain condition and environment. (Airflow step is 'Super High', Air discharge angle is fixed as indicated angle.)
- Indoor airflow distribution under actual installation or operating conditions depends on ambient temperature, ceiling height, product installation direction / location, indoor / Heating load, and other obstacles, etc.

## 6. Air flow and temperature distributions (reference data)

### ◆ Heating

#### Side View

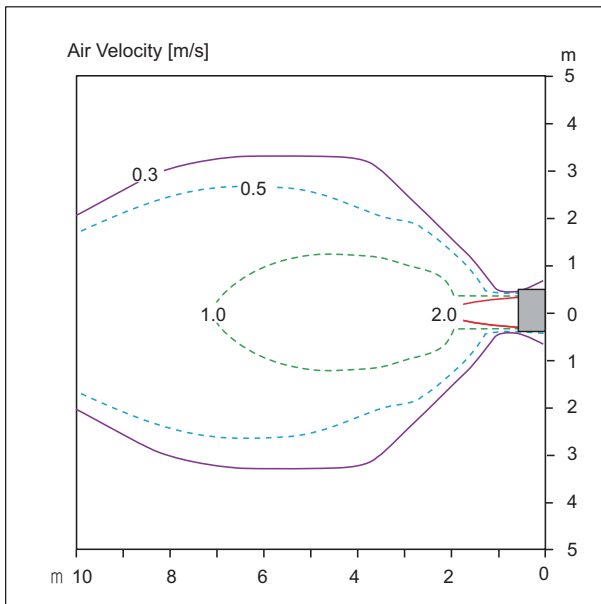
Discharge angle: 55°



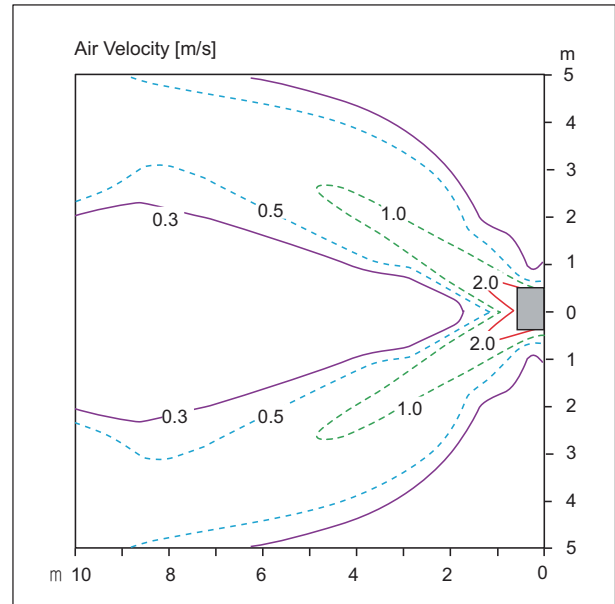
- Vertical Louver : Center
- Fan speed : Super High

#### Top View

Discharge angle: 55°



- Vertical Louver : Center
- Vertical Vane : 0°
- Fan speed : Super High
- Air speed 0.3m/s Range : 13.5m



- Vertical Louver : Left & Right
- Vertical Vane : 55°
- Fan speed : Super High

### Note

- These figures are accordance with normal certain condition and environment. (Airflow step is 'Super High', Air discharge angle is fixed as indicated angle.)
- Indoor airflow distribution under actual installation or operating conditions depends on ambient temperature, ceiling height, product installation direction / location, indoor / Heating load, and other obstacles, etc.

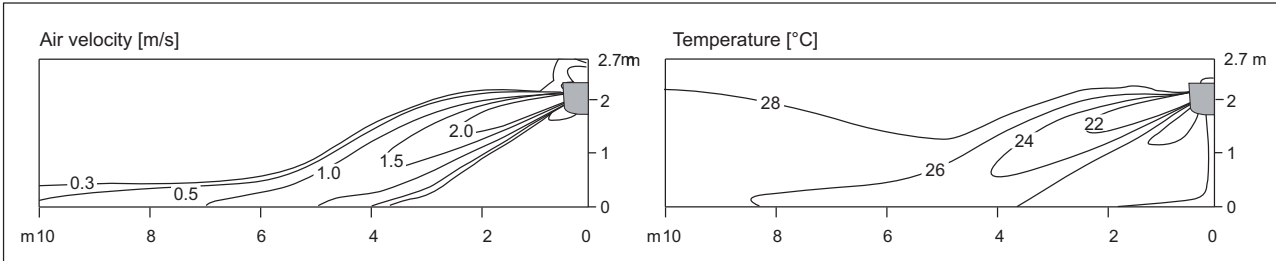
## 6. Air flow and temperature distributions (reference data)

### ■ Models : S3NM18KLSZA[AC18SQ NSK]

#### ◆ Cooling

##### Side View

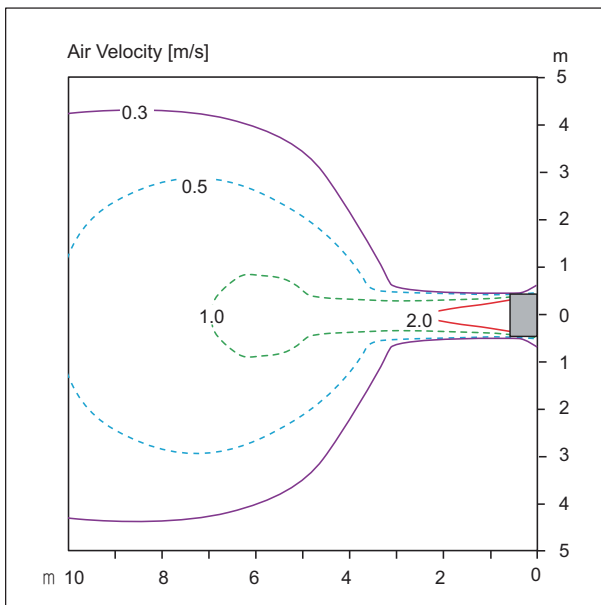
Discharge angle: 25°



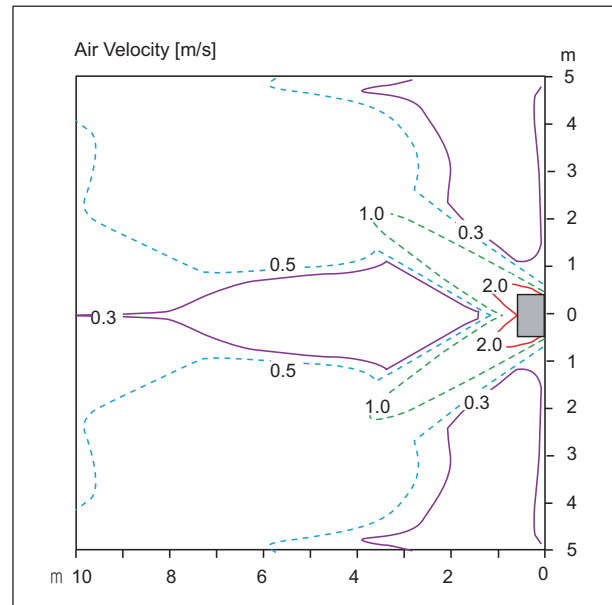
- Vertical Louver : Center
- Fan speed : Super High

##### Top View

Discharge angle: 25°



- Vertical Louver : Center
- Vertical Vane : 0°
- Fan speed : Super High
- Air speed 0.3m/s Range : 12.9m



- Vertical Louver : Left & Right
- Vertical Vane : 50°
- Fan speed : Super High

#### Note

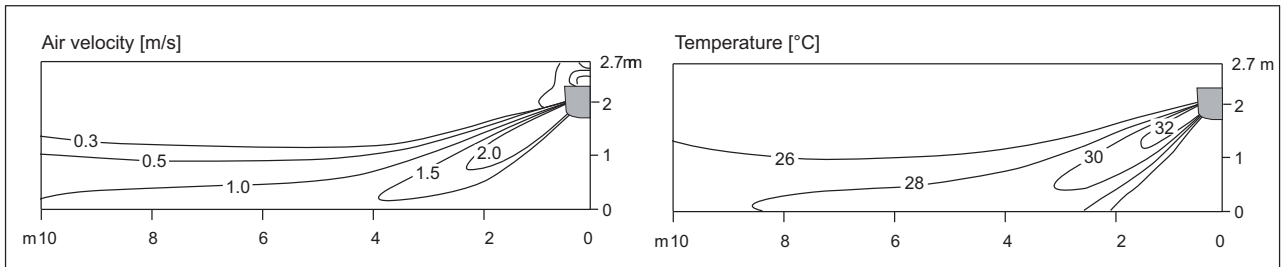
- These figures are accordance with normal certain condition and environment. (Airflow step is 'Super High', Air discharge angle is fixed as indicated angle.)
- Indoor airflow distribution under actual installation or operating conditions depends on ambient temperature, ceiling height, product installation direction / location, indoor / Heating load, and other obstacles, etc.

## 6. Air flow and temperature distributions (reference data)

### ◆ Heating

#### Side View

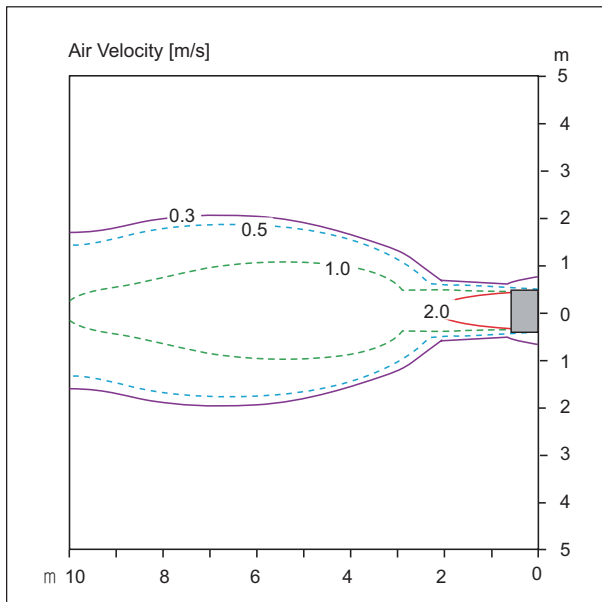
Discharge angle: 45°



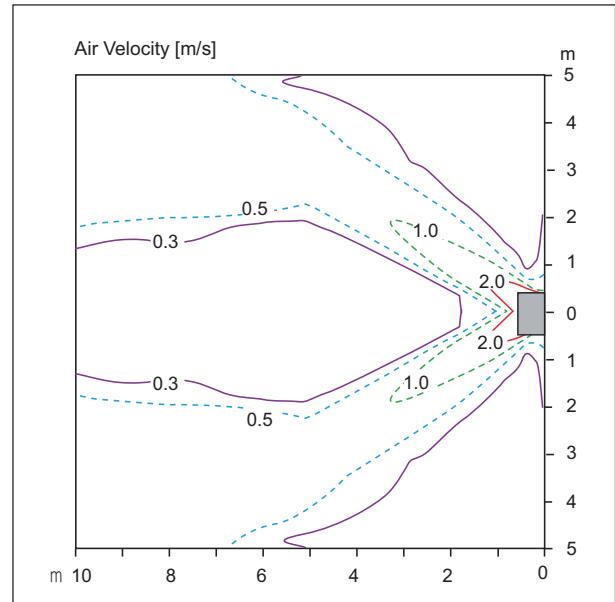
- Vertical Louver : Center
- Fan speed : Super High

#### Top View

Discharge angle: 45°



- Vertical Louver : Center
- Vertical Vane : 0°
- Fan speed : Super High
- Air speed 0.3m/s Range : 20.0m



- Vertical Louver : Left & Right
- Vertical Vane : 50°
- Fan speed : Super High

### Note

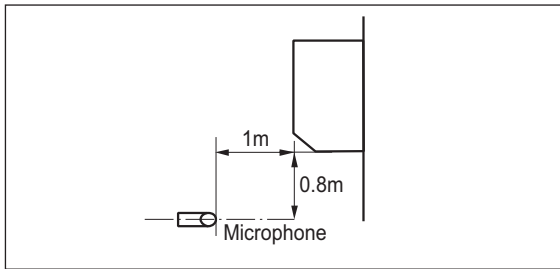
- These figures are accordance with normal certain condition and environment. (Airflow step is 'Super High', Air discharge angle is fixed as indicated angle.)
- Indoor airflow distribution under actual installation or operating conditions depends on ambient temperature, ceiling height, product installation direction / location, indoor / Heating load, and other obstacles, etc.



# 7. Sound levels

## 7.1 Sound pressure level

### Overall

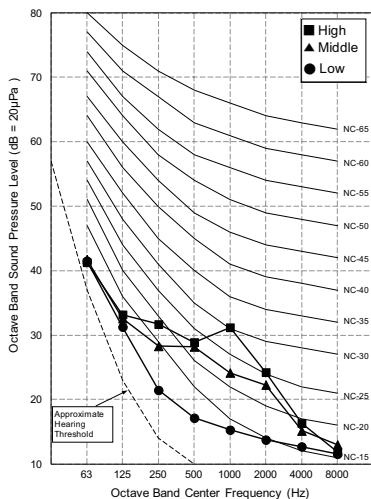


**Note**

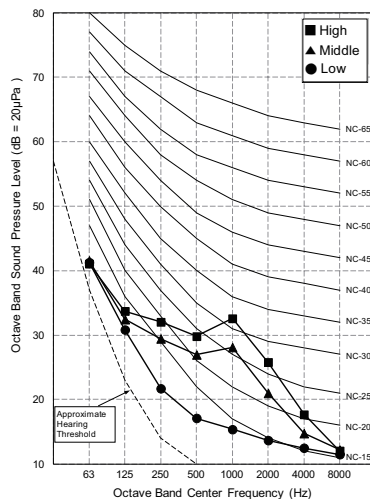
1. Sound measured at some distance away from the center of the unit.
2. Data is valid at free field condition.
3. Reference acoustic pressure 0dB = 20μPa.
4. Data is valid at nominal operation condition.  
Refer to the Model Specifications for nominal conditions(Power source and Ambient temperature, etc)
5. Sound levels can be increased in accordance with installation and operating conditions. (Static pressure mode, used air guide, Room target temperature setting, etc)
6. Sound level will vary depending on a range of factors such as the construction(acoustic absorption coefficient) of particular room in which the equipment is installed.
7. Sound pressure level is measured on the rated condition in the anechoic rooms. (LG Internal Standard)  
Therefore, these values can be increased owing to ambient conditions during operation.

Model	50Hz, 220-240V		
	Sound pressure Levels [dB(A)]		
	H	M	L
S3NM09JASZA [AC09SQ NSJ]	41	35	27
S3NM12JASZA [AC12SQ NSJ]	41	35	27
S3NM18KLSZA [AC18SQ NSK]	44	39	34

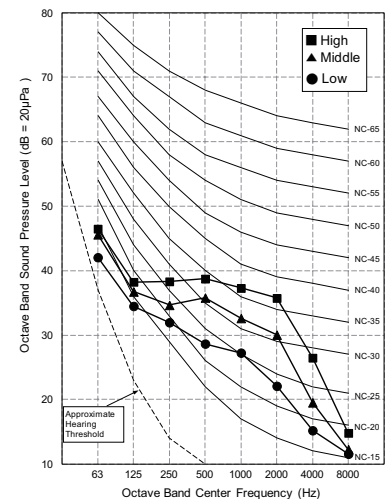
**S3NM09JASZA [AC09SQ NSJ]**



**S3NM12JASZA [AC12SQ NSJ]**



**S3NM18KLSZA [AC18SQ NSK]**



# 7. Sound levels

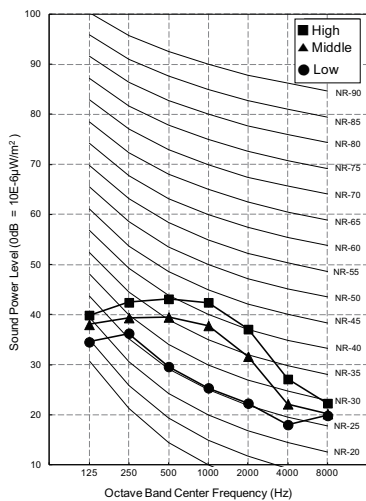
## 7.2 Sound power level

### Note

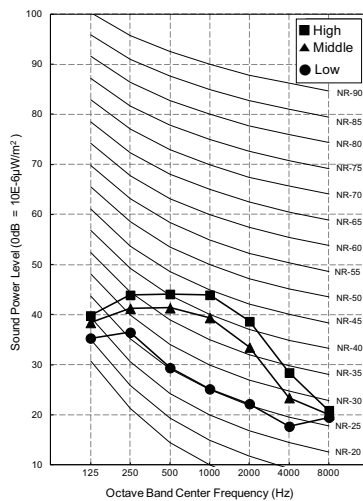
1. Data is valid at diffuse field condition.
2. Data is valid at nominal operation condition.  
Refer to the Model Specifications for nominal conditions(Power source and Ambient temperature, etc)
3. Sound level can be increased in static pressure mode or used air guide.
4. Sound level will vary depending on a range of factors such as the construction (acoustic absorption coefficient).
5. Reference acoustic intensity 0dB = 10E-6μW/m<sup>2</sup>
6. Sound power level is measured on the rated condition in the reverberation rooms by ISO 3741 standard.  
Therefore, these values can be increased owing to ambient conditions during operation.

Model	Sound power Levels [dB(A)]
S3NM09JASZA [AC09SQ NSJ]	59
S3NM12JASZA [AC12SQ NSJ]	59
S3NM18KLSZA [AC18SQ NSK]	60

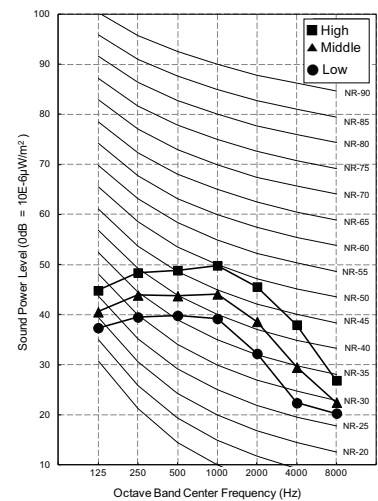
S3NM09JASZA [AC09SQ NSJ]



S3NM12JASZA [AC12SQ NSJ]



S3NM18KLSZA [AC18SQ NSK]

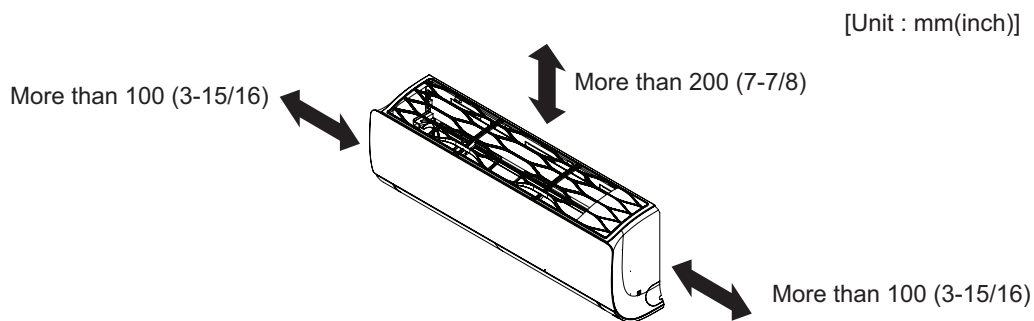


## 8. Installation

- Please read the instruction sheets completely before installing the product.
- When the power cord is damaged, replacement work shall be performed by authorized personnel only.
- Installation work must be performed in accordance with the national wiring standards.
- Teach the customer the operation and maintenance procedures, using the operation manual. (air filter cleaning, temperature control, etc.)

### 8.1 Selection of the best location

- The unit must be installed indoor area.
- Do not install the unit near the door.
- There should not be any obstacles to the air circulation or installation. Ensure the spaces from the wall, ceiling, or other obstacles.
- The place where the indoor unit can be connected with outdoor unit easily.
- The place where the unit is leveled.
- The place shall allow easy water drainage.
- The place where bear a load exceeding four times of the indoor unit weight.
- The mounting ceiling or wall should be solid enough to protect it from the vibration.
- The place where the unit is not affected by an electrical noise.
- The place where noise prevention is taken into consideration.
- The place where the maintenance space for product is sufficient.
- There should not be any heat source or steam near the unit.

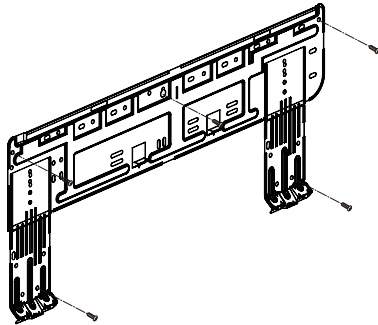


## 8. Installation

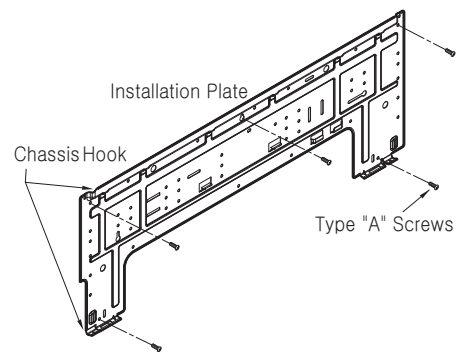
### ■ Fixing Installation Plate

- The wall you select should be strong and solid enough to prevent vibration.
  1. Mount the installation plate on the wall with type "A" screws which are provided with product. (Refer to the Installation manual.) If mounting the unit on a concrete wall, use anchor bolts.
    - Mount the installation plate horizontally by aligning the centerline using Horizontal meter.
  2. Measure the wall and mark the centerline. It is also important to use caution concerning the location of the installation plate. Routing of the wiring to power outlets is through the walls typically. Drilling the hole through the wall for piping connections must be done safely.

**SJ Chassis**

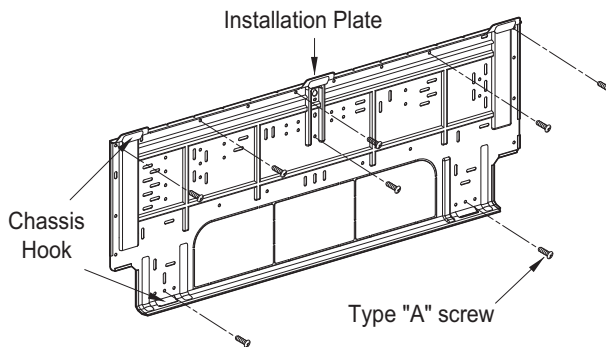


**SK Chassis**

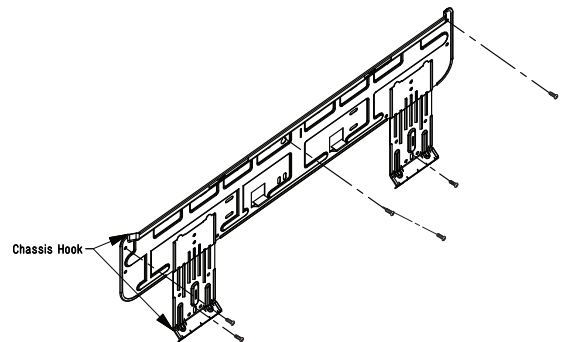


\* According to product type, model line up, sales region..etc, applicability of each chassis could be different.

**SV Chassis**



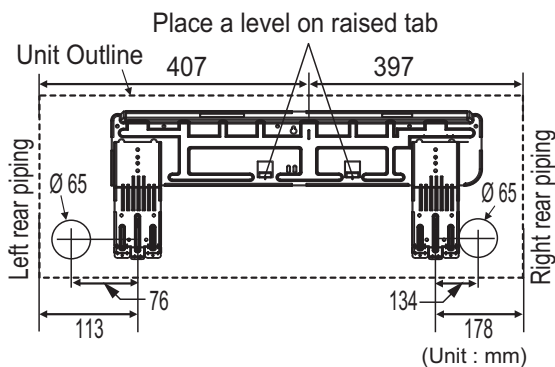
**SA Chassis**



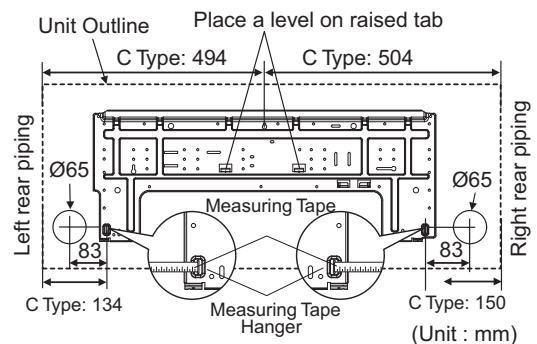
\* According to product type, model line up, sales region..etc, applicability of each chassis could be different.

### ■ The lower left and the right side piping of Installation Plate

**SJ chassis**



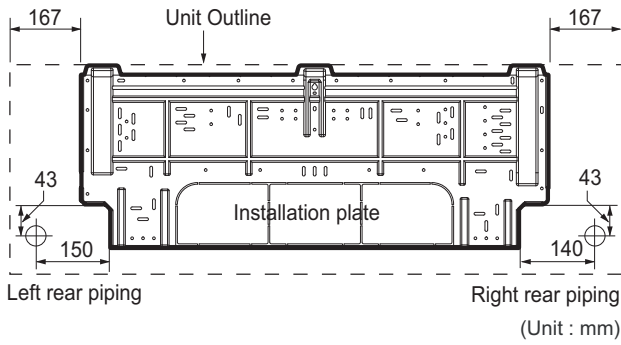
**SK chassis**



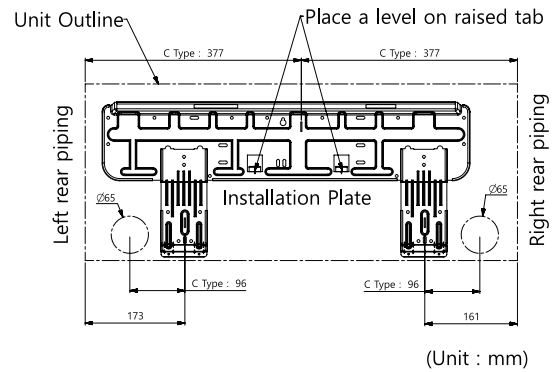
\* According to product type, model line up, sales region..etc, applicability of each chassis could be different.

## 8. Installation

**SV chassis**



**SA chassis**



\* According to product type, model line up, sales region..etc, applicability of each chassis could be different.

### **! CAUTION**

In case that the unit is installed near the sea, the installation parts may be corroded by salt. The installation parts (and the unit) should be taken appropriate anti-corrosion measures.

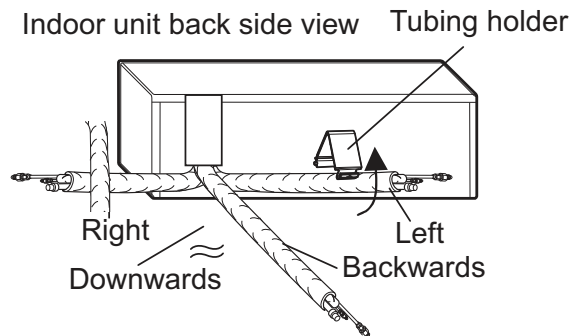
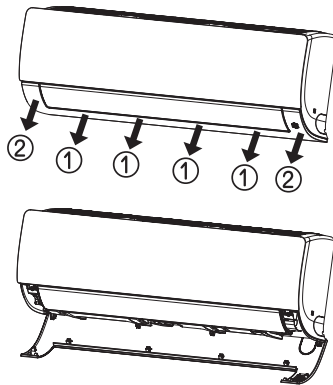
## 8. Installation

### 8.2 Connection of pipes and cables

#### 8.2.1 Preparing work for installation

##### ■ SJ/SK/SA chassis

1. Pull the cover at the bottom of the indoor unit. Pull the cover ①→②.
2. Remove the chassis cover from the unit.
3. Pull back the tubing holder.
4. Remove pipe port cover and positioning the tubing.



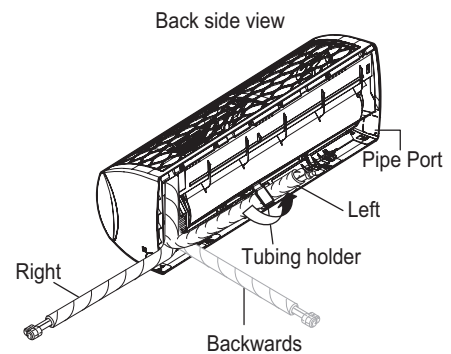
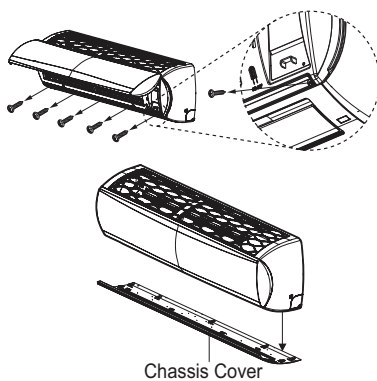
※ The feature can be changed according to type of model.

\* The feature can be changed according to type of model.

\* According to product type, model line up, sales region..etc, applicability of each chassis could be different.

##### ■ SV chassis

1. Open the panel of the indoor unit.
2. Remove the chassis cover from the unit by loosening 5 screws.
3. Pull back the tubing holder.
4. Remove pipe port cover and position the piping.

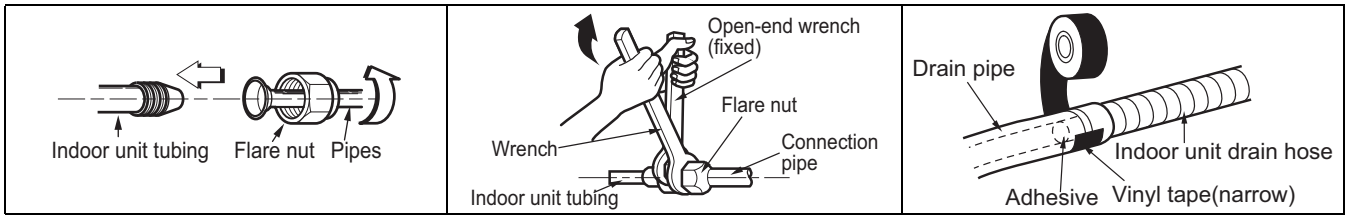


\* The feature can be changed according to type of model.

\* According to product type, model line up, sales region..etc, applicability of each chassis could be different.

## 8. Installation

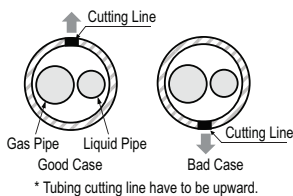
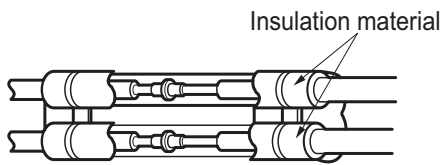
### ■ Connecting the installation pipe and drain hose



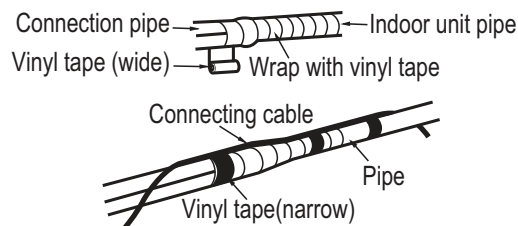
1. Align the center of the pipes and sufficiently tighten the flare nut by hand.
2. Tighten the flare nut with a wrench.
3. When needed to extend the drain hose of indoor unit, assembly the drain pipe as shown on the drawing.

### ■ Wrap the insulation material around the connecting portion.

1. Overlap the connection pipe insulation material and the indoor unit pipe insulation material. Bind them together with vinyl tape so that there may be no gap.
2. Set the tubing cutting line upward. Wrap the area which accommodates the rear piping housing section with vinyl tape.
3. Bundle the piping and drain hose together by wrapping them with vinyl tape sufficient enough to cover where they fit into the rear piping housing section. Be sure that the drain hose is located at the lowest side of the bundle. Locating at the upper side can cause overflow from the drain pan through the inside of the unit.



\* Tubing cutting line have to be upward.



### ⚠ CAUTION

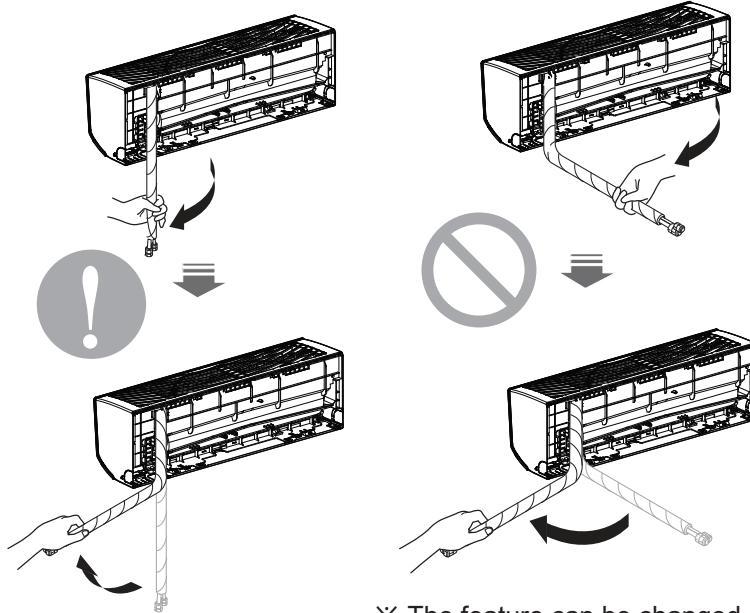
If the drain hose is routed inside the room insulate the hose with an insulation material\* so that dripping from sweating condensation) will not damage furniture or floors.

\* Foamed polyethylene or equivalent is recommended.

## 8. Installation

### ⚠ CAUTION

- Press on the tubing cover and unfold the tubing to downward slowly. And then bend to the left side slowly.
- Following bending case from right to left directly may cause damage to the tubing.



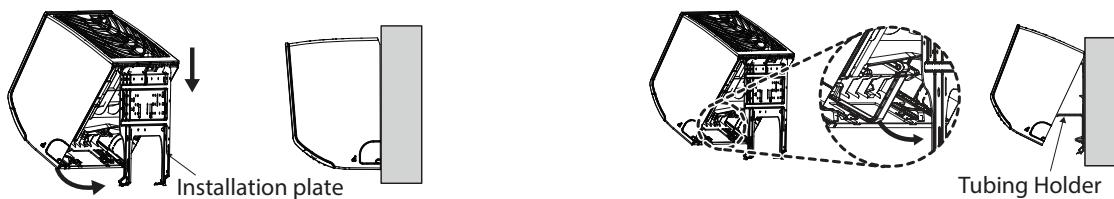
※ The feature can be changed according to type

- Installation Information. For right piping. Follow the instruction above.

### 8.2.2 Installation of Indoor Unit

#### ■ Seat the indoor unit on the installation plate

1. Hook the indoor unit onto the upper portion of the installation plate. (engage the three hooks at the top of the indoor unit with the upper edge of the installation plate) Ensure that the hooks are properly seated on the installation plate by moving it left and right
2. Unlock the tubing holder from the chassis and mount between the chassis and installation plate in order to separate the bottom side of the indoor unit from the wall.



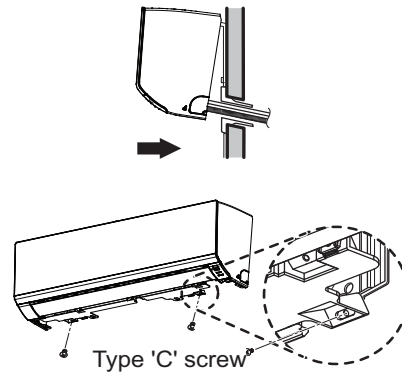
\* The feature can be changed according to type of model.



## 8. Installation

### 8.2.3 Finishing the indoor unit installation

1. Mount the tubing holder in the original position.
2. Ensure that the hooks are properly seated on the installation plate by moving it left and right.
3. Press the lower left and right sides of the unit against the installation plate until the hooks engage into their slots (clicking sound).
4. Finish the assembly by screwing the unit to the installation plate by using two pieces of type "C" screws. And assemble a chassis cover. (SJ/SK chassis) Recover the chassis cover in Original place. (SV chassis)



\* The feature can be changed according to type of model.

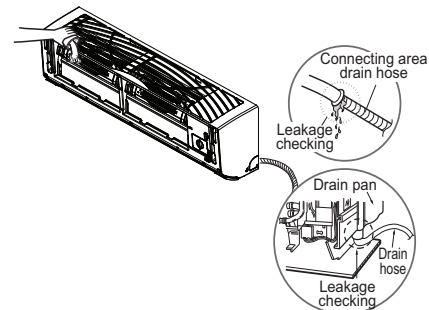
#### **CAUTION**

- The indoor unit can be dropped from the wall, the indoor unit is not screwed correct position on the install plate.
- To avoid the gap between the indoor unit and wall , screw the indoor unit to the install plate correctly.

### 8.2.4 Checking the Drainage

#### ◆ To check the drainage.

1. Pour a glass of water on the evaporator.
2. Ensure the water flows through the drain hose of the indoor unit without any leakage and goes out the drain exit.

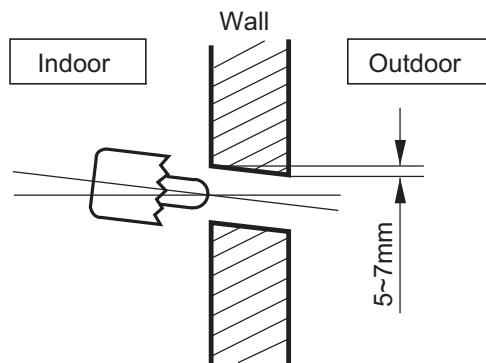


\* The feature can be changed according to type of model.

## 8. Installation

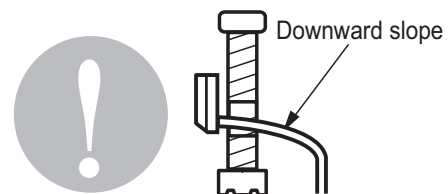
### ◆ Drill a Hole in the wall

1. Drill the piping hole with a  $\varnothing$  70mm hole core drill.  
Drill the piping hole at either the right or the left with the holes slightly slanted to the outdoor side.

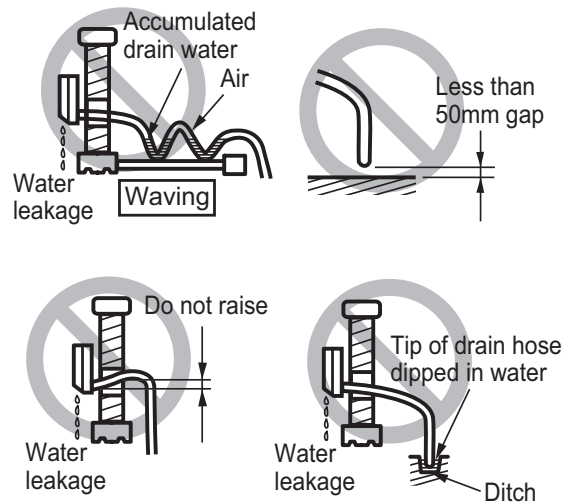


### ◆ Drain Piping

1. The drain hose should point downward for easy drain flow



2. Do not make drain piping like the following.



\* The feature can be changed according to type of model.

## 8. Installation

---

### 8.3 Wiring the cable to the indoor units

#### 8.3.1 General instructions

- All field supplied parts and materials, electric works must conform to local codes. Use copper wire only.
- Follow the "**WIRING DIAGRAM**" attached to the unit body to wire the outdoor unit, indoor units and the remote controller.
- All wiring must be performed by an authorized electrician.
- A circuit breaker capable of shutting down the power supply to the entire system must be installed.

#### CAUTION

After the confirmation of the above conditions, prepare the wiring as follows:

- Never fail to have separate power specially for the air conditioner.
- Provide a circuit breaker switch between power source and the unit.
- Confirm the Specification of power source.
- Confirm that electrical capacity is sufficient.
- Be sure that the starting voltage is maintained at more than 90 percent of the rated voltage marked on the name plate.
- Confirm that the cable thickness is as specified in the power sources specification.  
(Particularly note the relation between cable length and thickness.)
- Do not install the leakage breaker in a place which is wet or moist.  
Water or moist may cause short circuit.
- The following troubles would be caused by voltage drop-down.
  - » Vibration of a magnetic switch, damage on the contact point there of, fuse breaking, disturbance to the normal function of a overload protection device.
  - » Proper starting power is not given to the compressor.

#### 8.3.2 Wiring connection

- Connect the wires to the terminals on the control board individually according to the outdoor unit connection.
- Ensure that the color of the wires of outdoor unit and the terminal No. are the same as those of indoor unit respectively.
- In case of the system with multiple indoor units, mark each indoor unit as unit A, unit B, etc and be sure the terminal board wiring to the outdoor unit and indoor units are properly matched. If wiring and piping between the outdoor unit and an indoor unit are mismatched, the system may cause a malfunction.

#### 8.3.3 Clamping of cables

1. Arrange 2 power cables on the control panel.
2. First, fasten the steel clamp with a screw to the inner boss of control panel.
3. For connecting of communication (transmission) cable, put the cable(or thinner cable) on the clamp and tighten it with a plastic clamp to the other boss of the control panel. In case that communication (transmission) cable is not needed to connect, fix the other side of the clamp with a screw strongly.

## 8. Installation

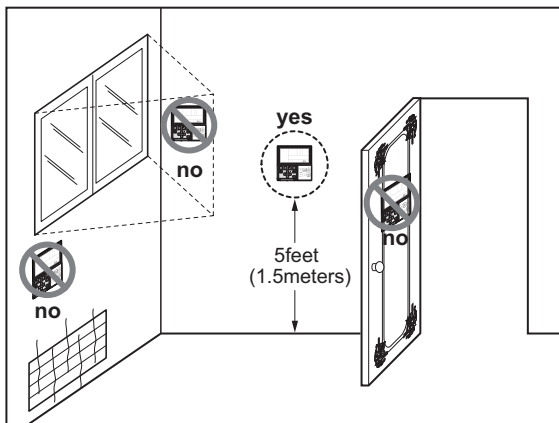
### ⚠ WARNING

- Make sure that the screws of the terminal are fixed tightly.
- The screw which fasten the wiring in the casing of electrical fittings are liable to come loose from vibrations to which the unit is subjected during the course of transportation. Check them and make sure that they are all tightly fastened. (If they are loose, it could give rise to burn-out of the wires.)
- Make sure to attach the sealing material or (field supplied) to hole of wiring to prevent the infiltration of foreign particle from outside. Otherwise a short-circuit may occur inside the electric parts box.
- When clamping the wires, be sure no pressure is applied to the wire connections by using the included clamping material to make appropriate clamps. Also, when wiring, make sure the cover on the electric parts box fits snugly by arranging the wires neatly and attaching the electric parts box cover firmly. When attaching the electric parts box cover, make sure no wires get caught in the edges. Pass wiring through the wiring through holes to prevent damage to them.
- Make sure the remote controller wiring, the wiring between the units, and other electrical wiring do not pass through the same locations outside of the unit, separating them properly, otherwise electrical noise (external static) could cause product malfunction.

### 8.3.4 Wired Remote Controller Installation (Optional)

Since the room temperature sensor is in the remote controller, the remote controller box should be installed in a place away from direct sunlight, high humidity and direct supply of cold air to maintain proper space temperature.

Install the remote controller about 5ft(1.5m) above the floor in an area with good air circulation at an average temperature.



#### • Do not install the remote controller where it can be affected by :

- Drafts, or dead spots behind doors and in corners.
- Hot or cold air from ducts.
- Radiant heat from sun or appliances.
- Concealed pipes and chimneys.
- Uncontrolled areas such as an outside wall behind the remote controller.
- This remote controller is equipped with a seven segment LED. display. For proper display of the remote controller LED's, the remote controller should be installed properly. (The standard height is 1.2~1.5 m from floor level.)

# **MULTI/SINGLE**

Indoor unit

## **Ceiling Mounted cassette 1-way**

- 1.List of Functions**
- 2.Specifications**
- 3.Dimensions**
- 4.Piping diagrams**
- 5.Wiring diagrams**
- 6.Air flow and temperature distribution**
- 7.Sound levels**
- 8.Installation**

# 1. List of functions

## ◆ List of function

Category	Functions	ZMNW09GTUA0 [MT09R NU1] ZMNW12GTUA0 [MT11R NU1]
Air Flow	Air Supply Outlet	1
	Airflow Direction Control (left & right)	Auto
	Airflow Direction Control (up & down)	Auto
	Auto Swing (left & right)	O
	Auto Swing (up & down)	O
	Airflow Steps (fan/cool/heat)	4 / 5 / 4
	Fan Speed Auto*	Advanced
	Power Cool/Heat	O / X
	Swirl Wind*	X
	Refresh Mode**	X
	Smart Mode**	X
	Indirect Wind*	O
	Direct Wind*	O
	Dry Operation	O
Air Purification	Air Purify	Accessory
	Ionizer	X
	UV-C	X
	Pre-Filter	O
	PM1.0 Filter	X
Reliability	Hot Start	O
	Self Diagnosis	O
Convenience	Auto Mode	O
	Auto Dry Operation	O
	Auto Restart	O
	Child Lock*	O
	Forced Operation	O
	Group Control*	O
	Sleep Timer	O
	Turn On/Off Reservation	O
	Schedule*	O
	Two Thermistor Control*	O
External On/Off	O	
Installation	Drain Pump	O
	E.S.P. Control*	O
	High Ceiling Operation*	O
Special Functions	Wi-Fi	Accessory
	Auto Elevation Grille	X
	Human Detection Function**	X
	Floor Detection Function**	X

### Note

- O : Applied, X : Not Applied, - : Unconfirmed or irrelevant  
Embedded : A kit is provided by default for using this function when the product is manufactured.  
Accessory : Ordered and purchased separately the accessory package referring to the model name provided and install at field. Accessory line-ups varies by region, so check your local catalogue or local sales material.
- Some functions can be limited by remote controller.
- In case of cassette type indoor units, Air Purification Kit and Auto Elevation Grille functions are not applicable at the same time.
- 'Auto Mode' varies depending on the outdoor unit type.  
- Auto Change Over(Single Heat Pump Outdoor Unit)  
- Auto Mode Select(Multi Heat Pump Outdoor Unit)  
- Auto Intensity Control(Cooling Only Outdoor Unit)
- \* : These functions need to connect the wired remote controller.
- \*\* : This functions need to connect to the Standard III wired remote controller.

# 1. List of functions

## ◆ Accessory Compatibility List

Category		Product	Remark	ZMNW09GTUA0 [MT09R NU1] ZMNW12GTUA0 [MT11R NU1]
Wireless Remote Controller		PQWRHQ0FDB	Heat Pump	O (Embedded)
		PWLSSB21H	Heat Pump	O
Wired Remote Controller	Simple	PQRCVCL0Q(W)	Simple	O
		PQRCHCA0Q(W)	for Hotel	O
	Standard	PREMTB001	Standard II (White)	O (Embedded)
		PREMTBB01	Standard II (Black)	O
		PREMTB100	Standard III (White)	O
		PREMTBB10	Standard III (Black)	O
Premium	PREMTA000(A/B)	Premium	O	
Dry contact	Simple Contact	PDRYCB000	Simple Dry Contact	O
	Communication type	PDRYCB400	2 Points Dry Contact (For Setback)	O
		PDRYCB300	For 3rd Party Thermostat	O
		PDRYCB320	For 3rd Party Thermostat (Analog Input)	O
		PDRYCB500	For Modbus	O
Gateway	IDU PI485	PHNFP14A0	Without case	X
		PSNFP14A0	With case	X
ETC	Remote temperature sensor	PQRSTA0	-	O
	Zone controller	ABZCA	-	X
	CO <sub>2</sub> Sensor	PES-C0RV0	For ERV, ERV DX Indoor units	X
	Group control wire	PZCWRCG3	0.25m	O
	2-Remo Control Wire	PZCWRC2	0.25m	O
	Extension Wire	PZCWRC1	10m	O
	Wi-Fi Controller*	PWFMDD200	-	O
Human detecting sensor	PTVSA00	-	X	

### Note

1. O: Possible, X: Impossible, -: Not applicable, Embedded: Included with product.
2. \*: Some advanced functions controlled by individual controller cannot be operated.
3. If there is a difference in development time between the product and the remote controller, some functions cannot be operated.
4. Selecting a wireless remote controller in case of ducted type indoor units requires either a connection to the wired remote controller (Standard II) or an IR receiver accessory to be connected to the duct in order to receive the signal.
5. If you need more detail, please refer to the **BECON** PDB or the manual of product. (<http://partner.lge.com/global> : Home> Doc.Library> Product > Control(BECON))

# 1. List of functions

## ◆ Panel(Accessory)

Model Name			PT-UAHW0	PT-UAHG0	PT-UPHG0
Applied Chassis	-		TU	TU	TU
Description	-		Standard Panel	Standard Panel	Premium Panel
Exterior Color	-		White	White	White
RAL Code	-		RAL 9003	RAL 9003	RAL 9003
Dual Vane	-		X	X	X
Dimensions (W x H x D)	Net	mm	1,100 x 34 x 500	1,160 x 34 x 500	1,160 x 34 x 500
	Shipping	mm	11,50 x 132 x 570	1,200 x 114 x 552	1,200 x 114 x 552
Weight	Net	kg	3.3	3.9	4.1
	Shipping	kg	4.7	5.6	5.8
Function	PM1.0 Sensor	-	X	X	O
Accessory	Air Purification Kit	-	X	x	PTAHTP0
	Floor Detection Sensor*	-	X	X	X
	Human Detection Sensor*	-	X	X	X

### Note

- Accessory : Ordered and purchased separately the accessory package referring to the model name provided and install at field.
- \* : This functions need to connect to the RS3 wired remote controller(Standard III).



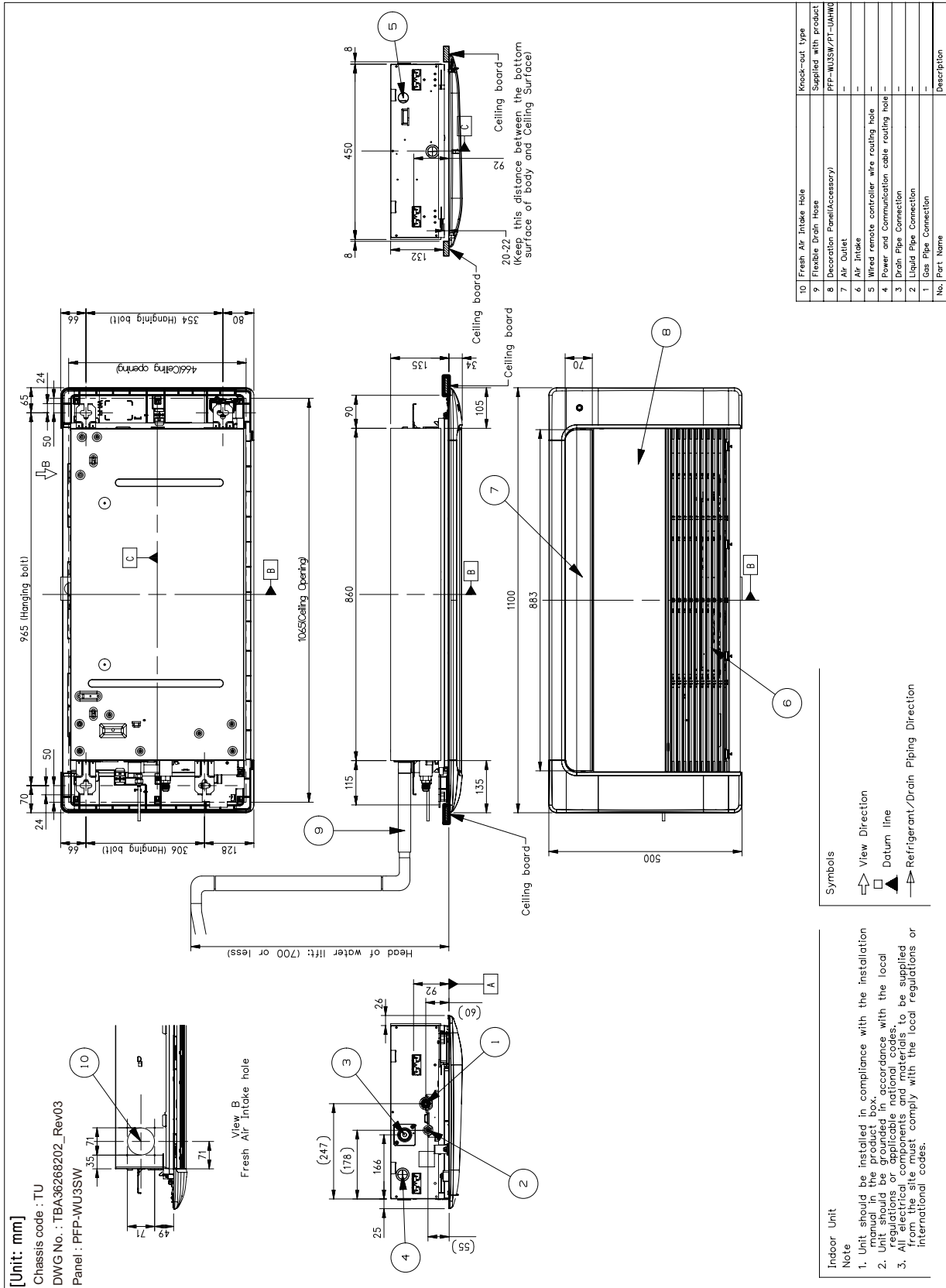
## 2. Specifications

Model Name			ZMNW09GTUA0 [MT09R NU1]	ZMNW12GTUA0 [MT11R NU1]
Power Supply		V, Ø, Hz	220-240, 1, 50 220, 1, 60	220-240, 1, 50 220, 1, 60
Capacity(Nominal)	Cooling	kW	2.6	3.5
	Heating	kW	2.9	3.9
Power Input		W x No.	20 x 1	20 x 1
Running Current		A	0.2	0.2
Exterior	Color	-	Steel Gray	Steel Gray
Dimensions	Body	W x H x D	mm	860 x 132 x 450
		W x H x D	inch	33-27/32 x 5-3/16 x 17-23/32
Net Weight	Body	kg (lbs)	13.5 (29.8)	13.5 (29.8)
Heat Exchanger	(Row x Column x Fins per inch) x No.	-	(2 x 12 x 18) x 1	(2 x 12 x 18) x 1
	Face Area	m <sup>2</sup> (ft <sup>2</sup> )	0.18 (1.90)	0.18 (1.90)
Fan	Type	-	Cross Flow Fan	Cross Flow Fan
	Air Flow Rate	H / M / L	m <sup>3</sup> /min	7.5 / 7.3 / 6.8
		H / M / L	ft <sup>3</sup> /min	265 / 258 / 240
Fan Motor	Type	-	BLDC	BLDC
	Output	W x No.	20 x 1	20 x 1
Sound Pressure Level		H / M / L	dB(A)	36 / 34 / 32
Sound Power Level		Rated	dB(A)	54
Piping Connections	Liquid	mm(inch)	Ø 6.35 (1/4)	Ø 6.35 (1/4)
	Gas	mm(inch)	Ø 9.52 (3/8)	Ø 9.52 (3/8)
	Drain (O.D. / I.D.)	mm	Ø 32.0 / 25.0	Ø 32.0 / 25.0
Safety Devices		-	Fuse	
		-	Thermal Protector for Fan Motor	
Power and Communication Cable (included Earth)		No. x mm <sup>2</sup> (AWG)	4C x 0.75 (18)	4C x 0.75 (18)
<b>Note</b>				
<ol style="list-style-type: none"> <li>Due to our policy of innovation some specifications may be changed without notification.</li> <li>Wiring cable size must comply with the applicable local and national code. And "Electric characteristics" chapter should be considered for electrical work and design. Especially the power cable and circuit breaker should be selected in accordance with that.</li> <li>Sound Level Values are measured at Noise Measuring chamber accordance with standard. Therefore, these values depend on the ambient conditions and values are normally higher in actual operation(Sound Pressure : LG Internal standard, Sound Power : EN 12102 (ISO 3741).</li> <li>Capacities are net capacities and based on the following conditions. Refer to the Outdoor Unit Specifications for calculating the real capacity. <ul style="list-style-type: none"> <li>Cooling : Indoor Ambient Temp. 27°CDB / 19°CWB, Outdoor Ambient Temp. 35°CDB / 24°CWB</li> <li>Heating : Indoor Ambient Temp. 20°CDB / 15°CWB, Outdoor Ambient Temp. 7°CDB / 6°CWB</li> <li>Interconnected Pipe is standard length and difference of Elevation (Outdoor ~ Indoor Unit) is 0m.</li> </ul> </li> </ol>				

### 3. Dimensions

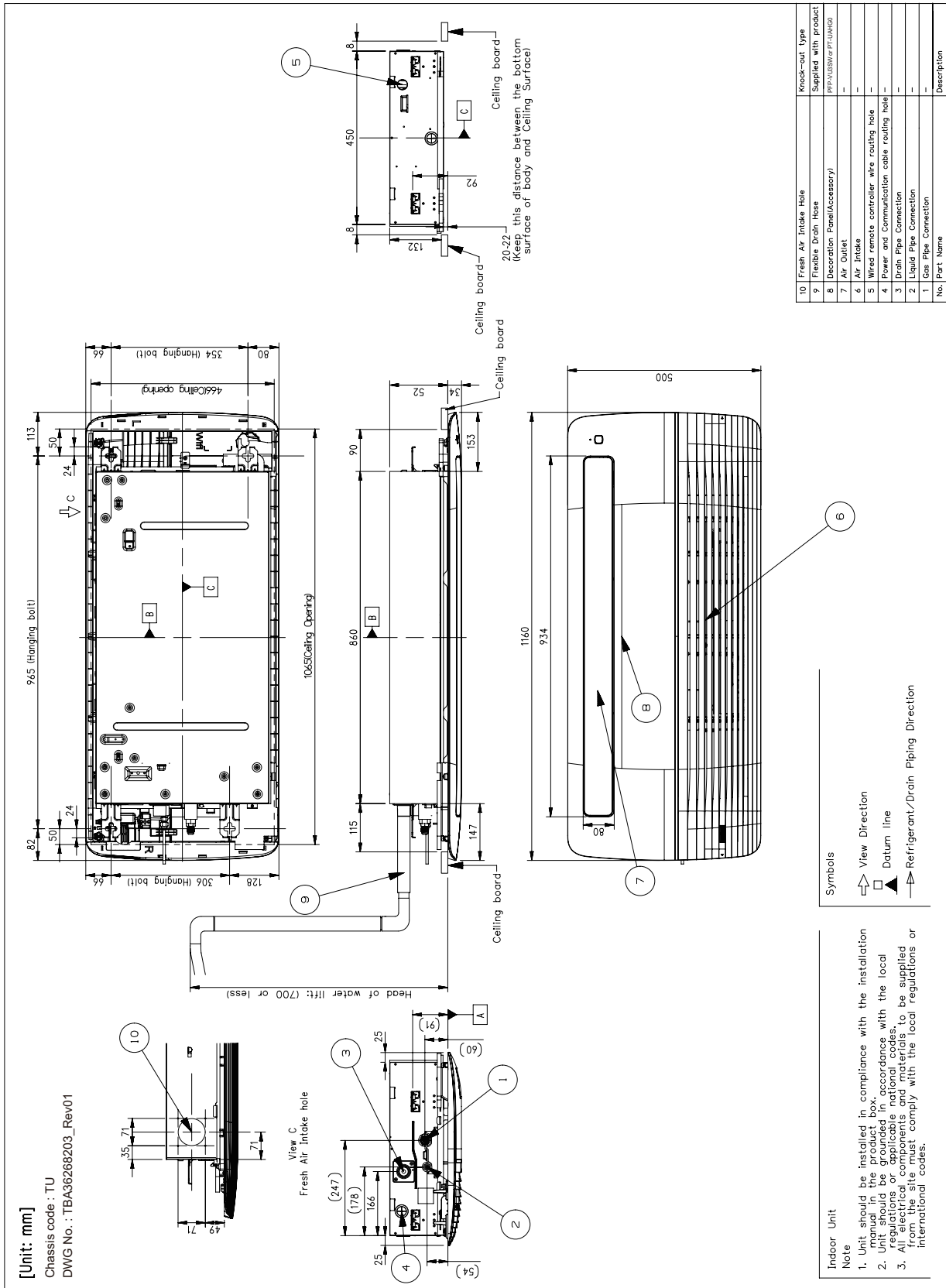
■ TU Chassis Models

◆ Panel Name : PT-UAHW0



# 3. Dimensions

◆ Panel Name : PT-UAHG0



**Indoor Unit Note**

- Unit should be installed in compliance with the installation manual in the product box.
- Unit should be grounded in accordance with the local regulations or applicable national codes.
- All electrical components to be supplied from the site must comply with the local regulations or international codes.

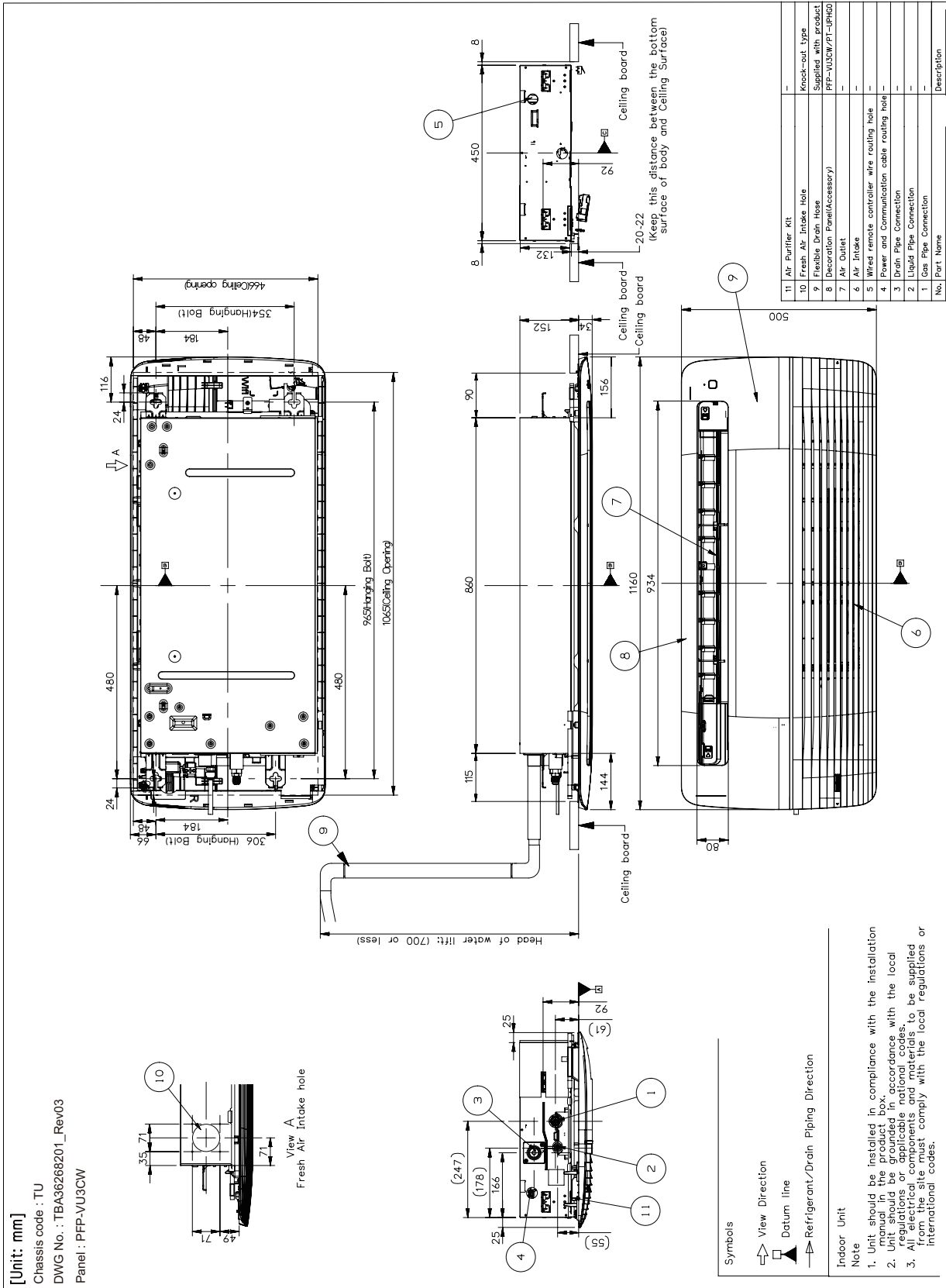
**Symbols**

- View Direction
- Datum line
- Refrigerant/Drain Piping Direction

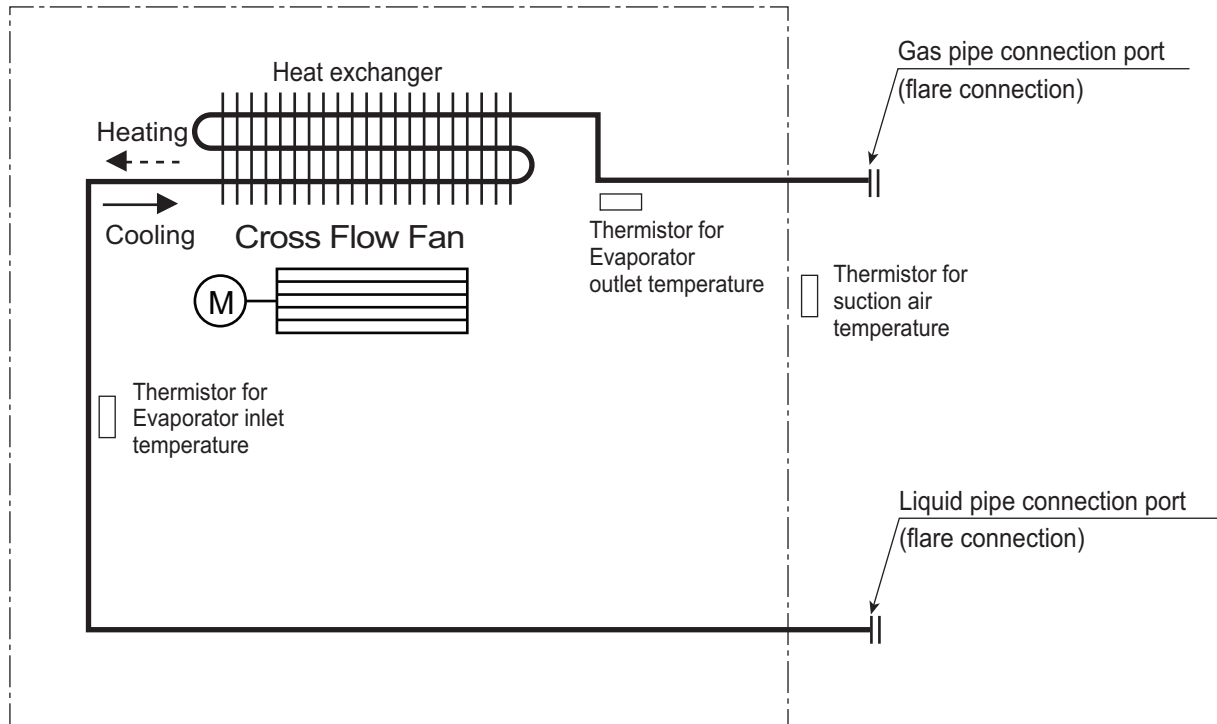
No.	Part Name	Description
10	Fresh Air Intake Hole	Knock-out type
9	Flexible Drain Hose	Supplied with product
8	Decoration Panel(Accessory)	PPFUAHVZPTUAHG0
7	Air Outlet	-
6	Air Intake	-
5	Wired remote controller wire routing hole	-
4	Power and Communication cable routing hole	-
3	Drain Pipe Connection	-
2	Liquid Pipe Connection	-
1	Gas Pipe Connection	-

# 3. Dimensions

◆ Panel Name : PT-UPHG0



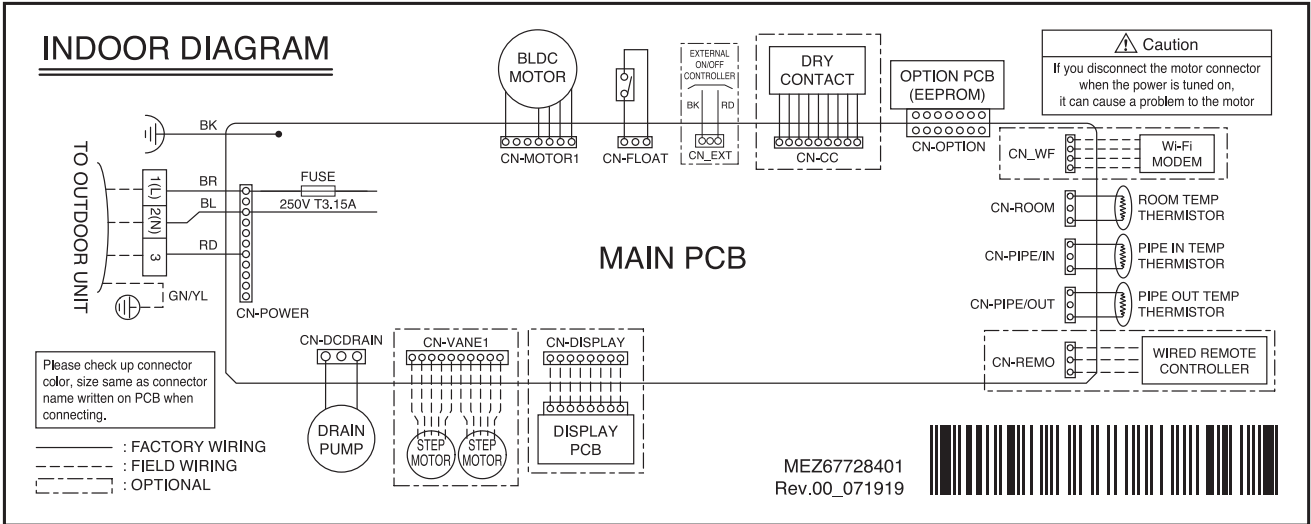
## 4. Piping diagrams



Description	PCB Connector
Thermistor for suction air temperature	CN-ROOM
Thermistor for evaporator inlet temperature	CN-PIPE/IN
Thermistor for evaporator outlet temperature	CN-PIPE/OUT

# 5. Wiring Diagrams

## Models: ZMNW09GTUA0 [MT09R NU1], ZMNW12GTUA0 [MT11R NU1]



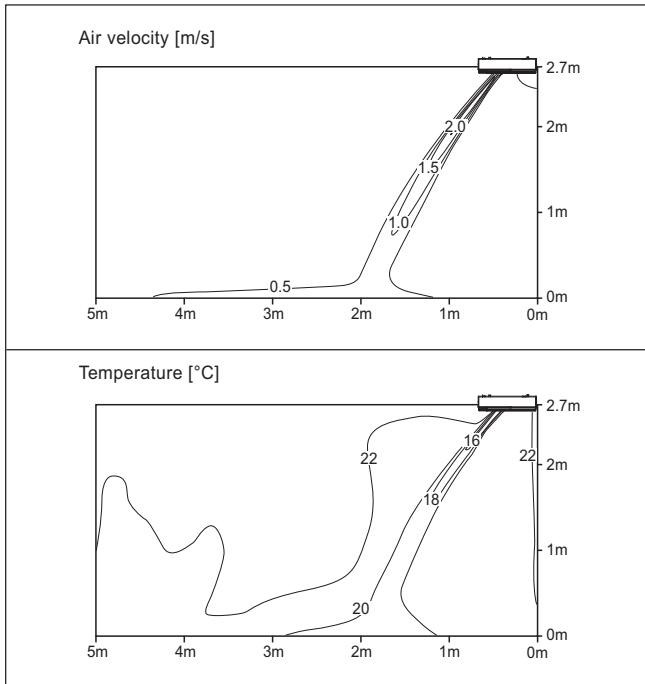
\* Refer to "List of functions" for remote controller related functions.

## 6. Air flow and temperature distributions (reference data)

### ■ Model : ZMNW09GTUA0 [MT09R NU1]

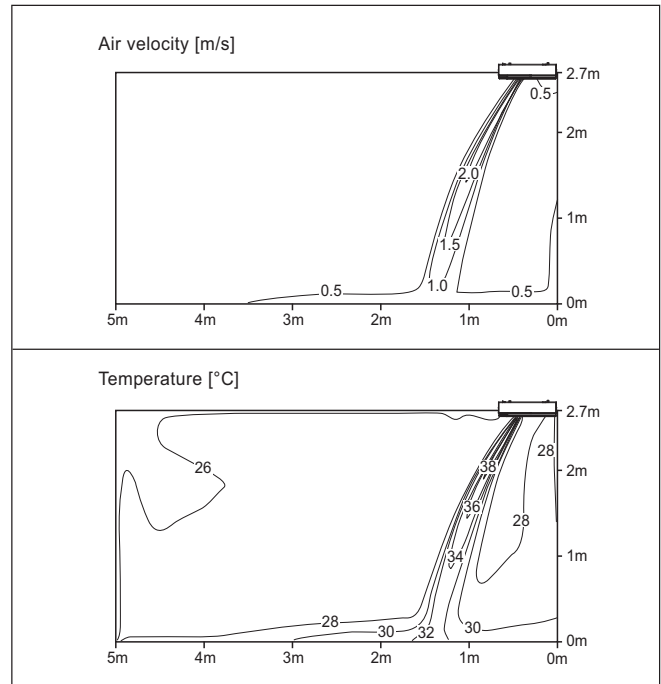
#### Cooling

Discharge angle: 50°



#### Heating

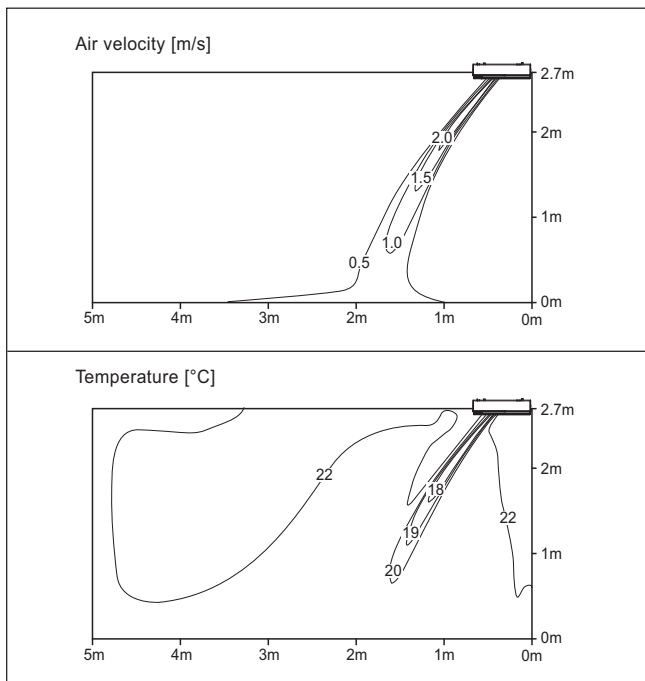
Discharge angle: 60°



### ■ Model : ZMNW12GTUA0 [MT11R NU1]

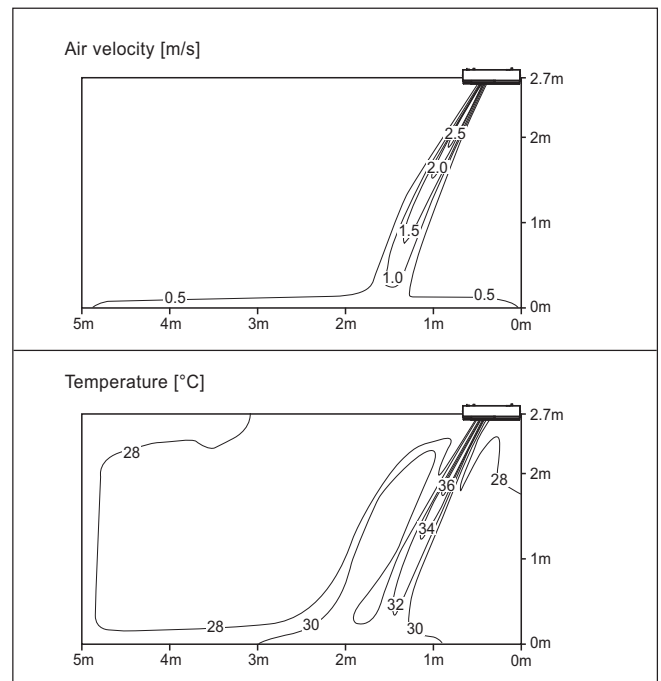
#### Cooling

Discharge angle: 50°



#### Heating

Discharge angle: 60°



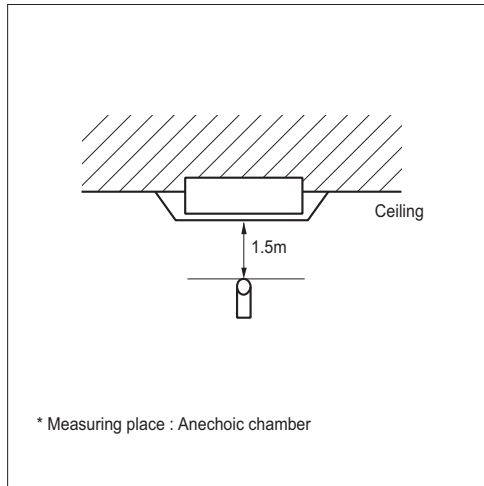
**Note**

- These figures are accordance with normal certain condition and environment. (Airflow step is 'High', Air discharge angle is fixed as indicated angle.)
- Indoor airflow distribution under actual installation or operating conditions depends on ambient temperature, ceiling height, product installation direction / location, indoor / Heating load, and other obstacles, etc.

# 7. Sound levels

## 7.1 Sound pressure level

### Overall

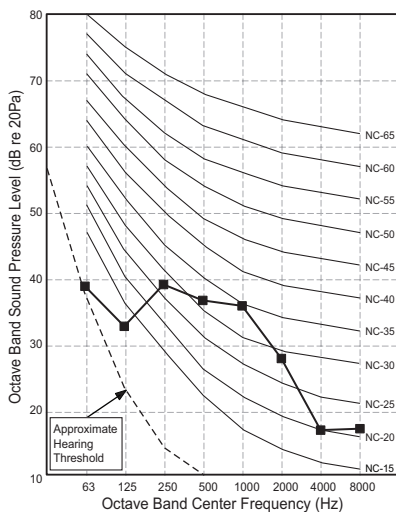


**Note**

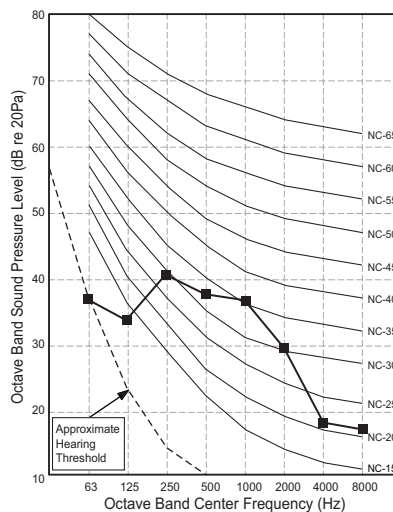
1. Sound measured at some distance away from the center of the unit.
2. Data is valid at free field condition.
3. Reference acoustic pressure 0dB = 20μPa.
4. Data is valid at nominal operation condition.  
Refer to the Model Specifications for nominal conditions(Power source and Ambient temperature, etc)
5. Sound levels can be increased in accordance with installation and operating conditions. (Static pressure mode, used air guide, Room target temperature setting, etc)
6. Sound level will vary depending on a range of factors such as the construction(acoustic absorption coefficient) of particular room in which the equipment is installed.
7. Sound pressure level is measured on the rated condition in the anechoic rooms. (LG Internal Standard)  
Therefore, these values can be increased owing to ambient conditions during operation.

Model	50Hz, 220-240V		
	Sound pressure Levels [dB(A)]		
	H	M	L
ZMNW09GTUA0 [MT09R NU1]	36	34	32
ZMNW12GTUA0 [MT11R NU1]	37	36	33

**ZMNW09GTUA0 [MT09R NU1]**



**ZMNW12GTUA0 [MT11R NU1]**





## 7. Sound levels

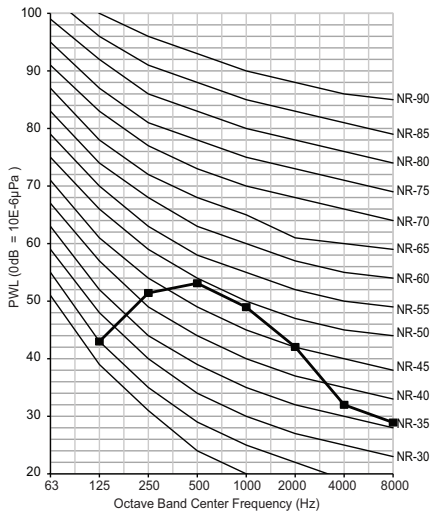
### 7.2 Sound power level

**Note**

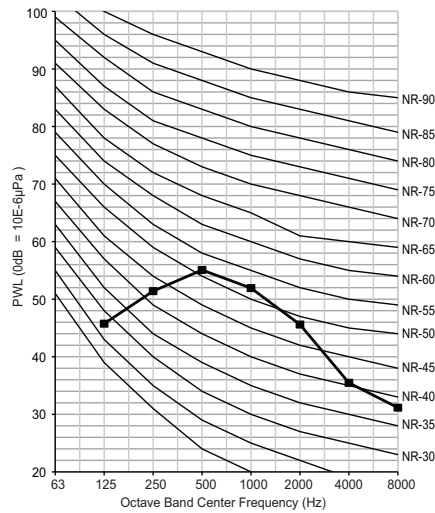
1. Data is valid at diffuse field condition.
2. Data is valid at nominal operation condition.  
Refer to the Model Specifications for nominal conditions(Power source and Ambient temperature, etc)
3. Sound level can be increased in static pressure mode or used air guide.
4. Sound level will vary depending on a range of factors such as the construction (acoustic absorption coefficient).
5. Reference acoustic intensity 0dB = 10E-6μW/m<sup>2</sup>
6. Sound power level is measured on the rated condition in the reverberation rooms by ISO 3741 standard.  
Therefore, these values can be increased owing to ambient conditions during operation.

Model	Sound power level [dB(A)]
ZMNW09GTUA0 [MT09R NU1]	54
ZMNW12GTUA0 [MT11R NU1]	57

**ZMNW09GTUA0 [MT09R NU1]**



**ZMNW12GTUA0 [MT11R NU1]**

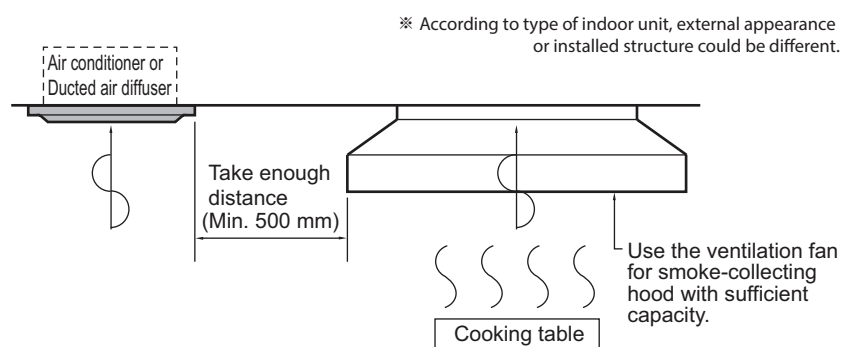


## 8. Installation

- Please read the instruction sheets completely before installing the product.
- When the power cord is damaged, replacement work shall be performed by authorized personnel only.
- Installation work must be performed in accordance with the national wiring standards.
- Teach the customer the operation and maintenance procedures, using the operation manual. (air filter cleaning, temperature control, etc.)

### 8.1 Selection of the best location

- The unit must be installed indoor area.
- Do not install the unit near the door.
- There should not be any obstacles to the air circulation or installation. Ensure the spaces from the wall, ceiling, or other obstacles.
- The place where the indoor unit can be connected with outdoor unit easily.
- The place where the unit is leveled.
- The place shall allow easy water drainage.
- The place where bear a load exceeding four times of the indoor unit weight.
- The mounting ceiling or wall should be solid enough to protect it from the vibration.
- The place where the unit is not affected by an electrical noise.
- The place where noise prevention is taken into consideration.
- The place where the maintenance space for product is sufficient. (The servicing inspection hole of the ceiling should be larger than the indoor unit.)
- The selection of the servicing inspection hole should be approved by the customer.
- There should not be any heat source or steam near the unit. Avoid the following installation location.
  1. Such places as restaurants and kitchen where considerable amount of oil steam and flour is generated. These may cause heat exchange efficiency reduction, or water drops, drain pump mal-function. In these cases, take the following actions;
    - Make sure that ventilation fan is enough to cover all noxious gases from this place.
    - Ensure enough distance from the cooking room to install the air conditioner in such a place where it may not suck oily steam.

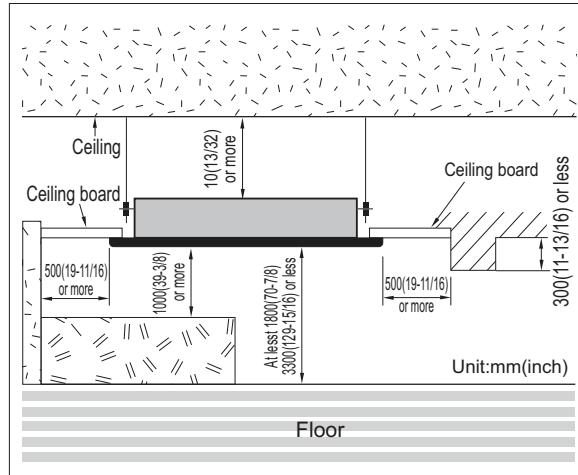


2. Avoid installing air conditioner in such places where cooking oil or iron powder is generated.
3. Avoid places where inflammable gas is generated.
4. Avoid place where noxious gas is generated.
5. Avoid places near high frequency generators.

## 8. Installation

### ⚠ CAUTION

- If the temperature rise above 30°C or the humidity rise above RH 80%, the dew-protective kit should be equipped or use additional insulation to the indoor unit body.
  - "Dew Protective kit" is sold separately.
  - Use the glass wool material or polyethylene foam and it make sure to be thick of 10mm at least.

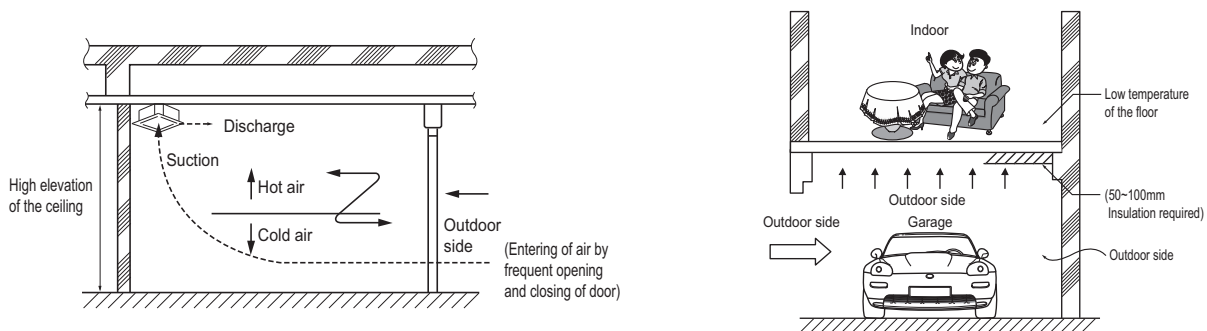


## 8. Installation

### 8.2 Precautions regarding cassette indoor unit installation

#### ◆ Main points about the indoor installation

- In general commercial places and offices though the height of the ceiling is 2.7 m, the ceiling height could be over 3 m.
- In such cases because of the temperature difference with the floor the heating effect can fall down.
- Countermeasure method
  1. Air conditioner should be able to operate in high ceiling operation mode.
  2. Plan to install the circulator.
  3. The air discharge port should be made to give more airflow to the down floor directions.
  4. The gate or exit of the building is protected by dual door system to minimize inflow of outdoor air.



#### ◆ In case the floor or surfaces is contact with the outdoor air directly

- If the floor of air conditioned room contact with the outside air, like the store room or garage, the floor temperature will be decreased and users can have a cold feeling in the feet.
- In such places where the feet comes in direct contact with floors will give a cold feeling to the foot.

#### ⚠ CAUTION

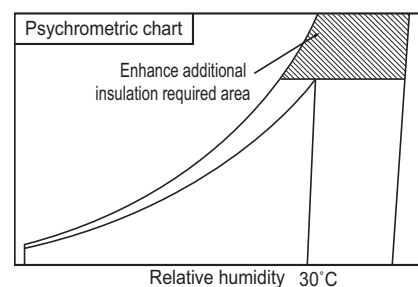
- In case there is a cold air intake,
  - » The duct surface may have some dew drops. So a insulation on the duct is a must.(Insulation material: a glass wool of thickness 25 mm will be appropriate.)

#### ◆ Countermeasure method

1. Use the carpet on the floor.  
(compared to the tiles the carpet over it will have a 3 degree rise in temperature)
2. Insulating the floor.
3. Floor heating.

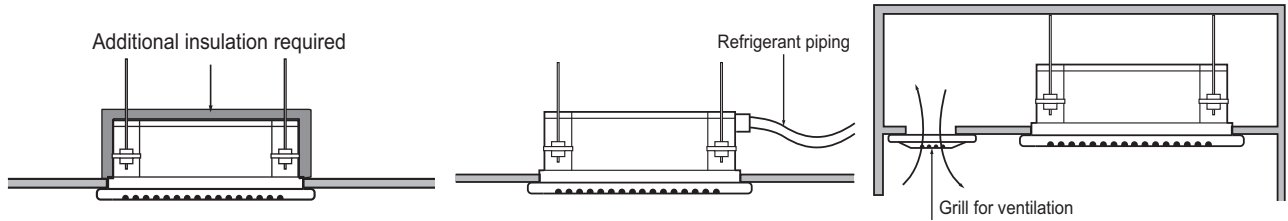
#### ◆ In case of high temperature or humidity between the false ceiling and ceiling slab

- In case of places having the temperature and humidity of the surrounding water sources(sea, river etc.)
- In case the steam is generated between the false ceiling and the ceiling slab due to some nearby by steam source.
- In case of temperature of 30 degree and humidity above 80%, the units body as well as the piping insulation should be strengthened. Refer to the psychrometric chart.



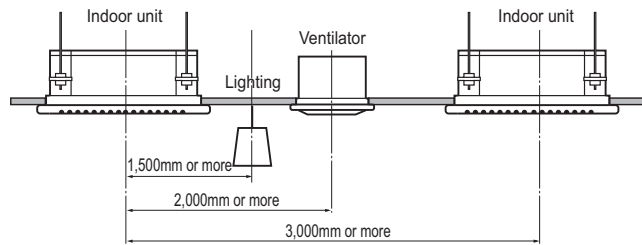
## 8. Installation

- Countermeasure method
  - Indoor unit: Insulate the unit body with some insulation like glass wool at least 10 mm in thickness.
  - Refrigerant piping: Increase the piping insulation thickness with thickness above 20 mm.
  - Others: Inside the ceiling near the air tight seal places. (To escape of the humidity inside false ceiling)



\* According to type of indoor unit, external appearance could be different.

### ◆ In case of multiple indoor cassette units (recommended)



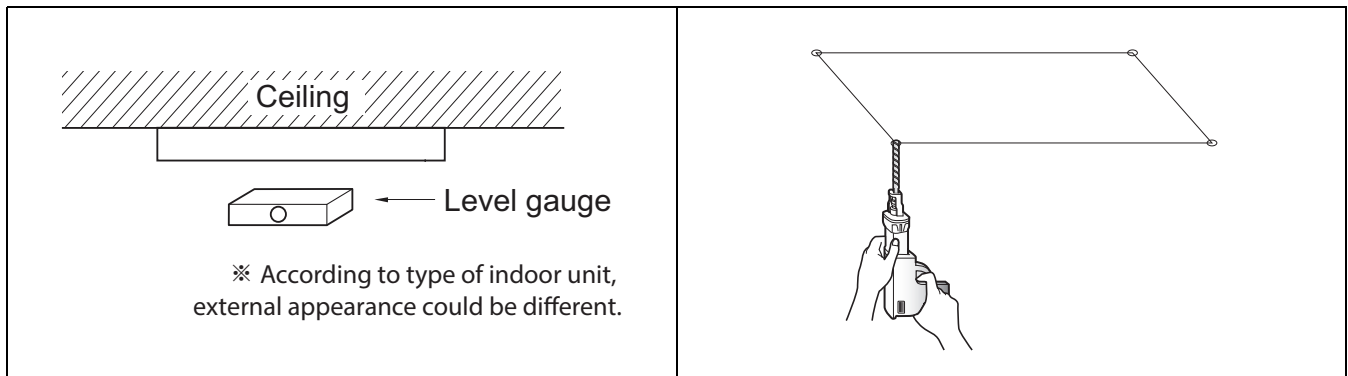
※ According to type of indoor unit, external appearance could be different.

## 8. Installation

### 8.3 Ceiling opening dimensions and hanging bolt location

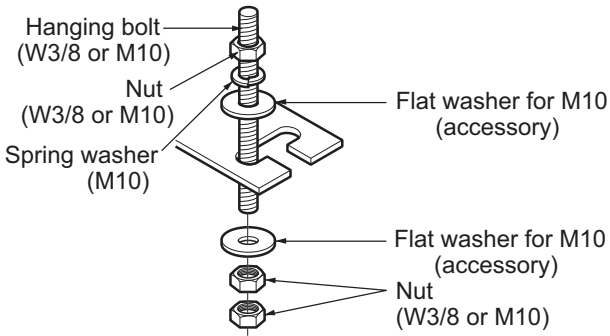
#### ⚠ CAUTION

- During the installation, care should be taken not to damage electric wires.
- In case of using a drain pump, install the unit horizontally using a level gauge.



1. The dimensions of the paper model for installation are the same as those of the ceiling opening dimensions.
2. Select and mark the position for fixing bolts and piping hole.
3. Decide the position for fixing bolts slightly tilted to the drain direction after considering the direction of drain hose.
4. Drill the hole for anchor bolt on the wall or ceiling.
  - Insert the set anchor and washer onto the suspension bolts for locking the suspension bolts on the ceiling.
  - Mount the suspension bolts to the set anchor firmly.
  - Secure the installation plates onto the suspension bolts (adjust level roughly) using nuts, washers and spring washers.
5. In case of ducted type unit, apply a joint-canvas between the unit and duct to absorb unnecessary vibration.

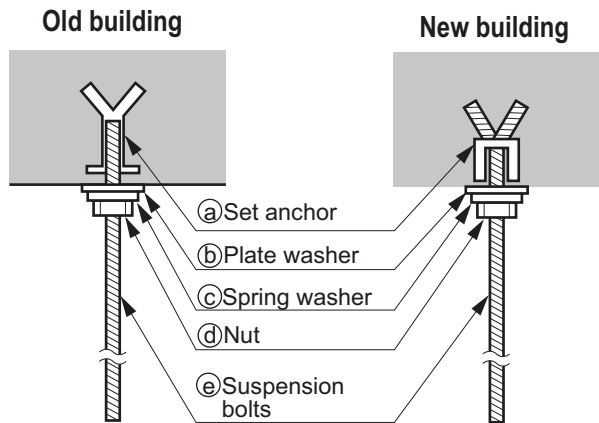
# 8. Installation



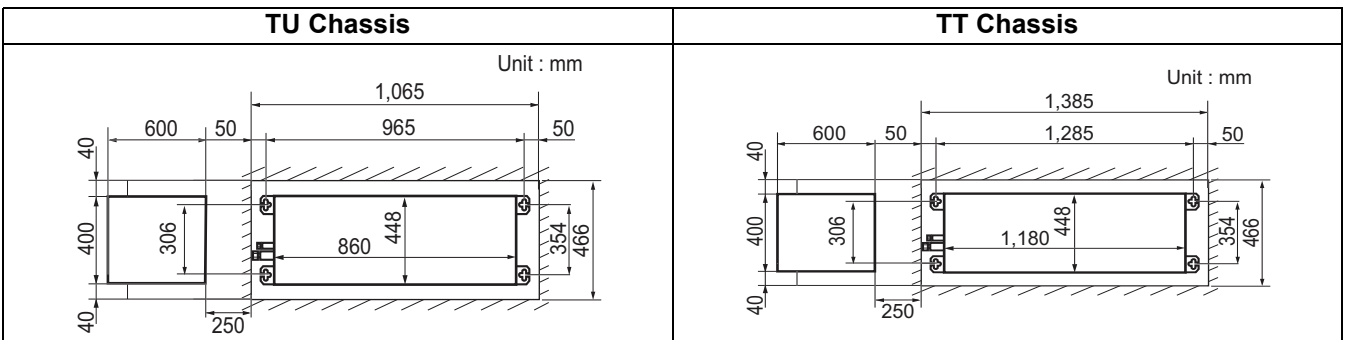
- The following parts are local purchasing.
  1. Hanging bolt - W 3/8 or M10
  2. Nut - W 3/8 or M10
  3. Spring washer - M10
  4. Plate washer - M10

**CAUTION**

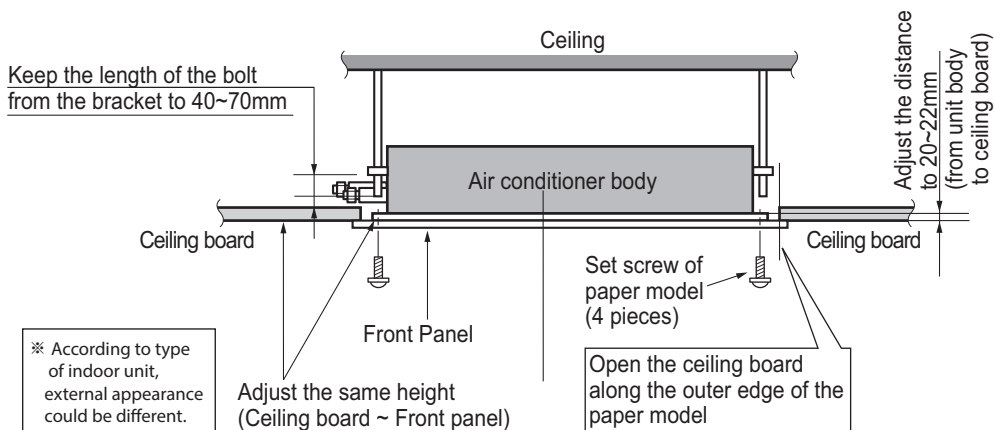
- Tighten the nut and bolt to prevent the unit from falling.
- When mechanical connectors are reused indoors, sealing parts shall be renewed. (for R32)
- When flared joints are reused indoors, the flare part shall be re-fabricated. (for R32)



◆ Ceiling opening and Hanging Bolt dimension



◆ Installation Structure guide



## 8. Installation

---

### 8.4 Wiring Connection

#### 8.4.1 General instructions

- All field supplied parts and materials, electric works must conform to local codes. Use copper wire only.
- Follow the "**WIRING DIAGRAM**" attached to the unit body to wire the outdoor unit, indoor units and the remote controller.
- All wiring must be performed by an authorized electrician.
- A circuit breaker capable of shutting down the power supply to the entire system must be installed.

#### CAUTION

After the confirmation of the above conditions, prepare the wiring as follows:

- Never fail to have separate power specially for the air conditioner.
- Provide a circuit breaker switch between power source and the unit.
- Confirm the Specification of power source.
- Confirm that electrical capacity is sufficient.
- Be sure that the starting voltage is maintained at more than 90 percent of the rated voltage marked on the name plate.
- Confirm that the cable thickness is as specified in the power sources specification.  
(Particularly note the relation between cable length and thickness.)
- Do not install the leakage breaker in a place which is wet or moist.  
Water or moist may cause short circuit.
- The following troubles would be caused by voltage drop-down.
  - » Vibration of a magnetic switch, damage on the contact point there of, fuse breaking, disturbance to the normal function of a overload protection device.
  - » Proper starting power is not given to the compressor.

#### 8.4.2 Wiring connection

- Connect the wires to the terminals on the control board individually according to the outdoor unit connection.
- Ensure that the color of the wires of outdoor unit and the terminal No. are the same as those of indoor unit respectively.
- In case of the system with multiple indoor units, mark each indoor unit as unit A, unit B, etc and be sure the terminal board wiring to the outdoor unit and indoor units are properly matched. If wiring and piping between the outdoor unit and an indoor unit are mismatched, the system may cause a malfunction.

#### 8.4.3 Clamping of cables

1. Arrange 2 power cables on the control panel.
2. First, fasten the steel clamp with a screw to the inner boss of control panel.
3. For connecting of communication (transmission) cable, put the cable(or thinner cable) on the clamp and tighten it with a plastic clamp to the other boss of the control panel. In case that communication (transmission) cable is not needed to connect, fix the other side of the clamp with a screw strongly.



## 8. Installation

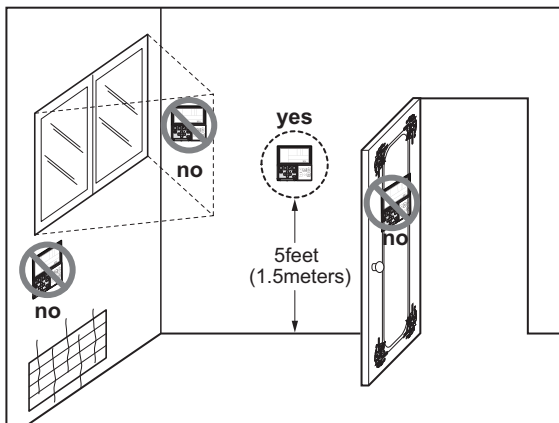
### **⚠ WARNING**

- Make sure that the screws of the terminal are fixed tightly.
- The screw which fasten the wiring in the casing of electrical fittings are liable to come loose from vibrations to which the unit is subjected during the course of transportation. Check them and make sure that they are all tightly fastened. (If they are loose, it could give rise to burn-out of the wires.)
- Make sure to attach the sealing material or (field supplied) to hole of wiring to prevent the infiltration of foreign particle from outside. Otherwise a short-circuit may occur inside the electric parts box.
- When clamping the wires, be sure no pressure is applied to the wire connections by using the included clamping material to make appropriate clamps. Also, when wiring, make sure the cover on the electric parts box fits snugly by arranging the wires neatly and attaching the electric parts box cover firmly. When attaching the electric parts box cover, make sure no wires get caught in the edges. Pass wiring through the wiring through holes to prevent damage to them.
- Make sure the remote controller wiring, the wiring between the units, and other electrical wiring do not pass through the same locations outside of the unit, separating them properly, otherwise electrical noise (external static) could cause product malfunction.

### 8.4.4 Wired Remote Controller Installation (Optional)

Since the room temperature sensor is in the remote controller, the remote controller box should be installed in a place away from direct sunlight, high humidity and direct supply of cold air to maintain proper space temperature.

Install the remote controller about 5ft(1.5m) above the floor in an area with good air circulation at an average temperature.



#### • Do not install the remote controller where it can be affected by :

- Drafts, or dead spots behind doors and in corners.
- Hot or cold air from ducts.
- Radiant heat from sun or appliances.
- Concealed pipes and chimneys.
- Uncontrolled areas such as an outside wall behind the remote controller.
- This remote controller is equipped with a seven segment LED. display. For proper display of the remote controller LED's, the remote controller should be installed properly. (The standard height is 1.2~1.5 m from floor level.)

## 8. Installation

### 8.5 Installation of Decoration Panel

- The decoration panel has its installation direction.
- Before installing the decoration panel, always remove the paper template.

1. Open the air outlet vane, and extract side covers.
2. Remove the air inlet panel from the decoration panel.
3. Hook decoration panel to indoor unit, using hooks attached at the backside of both side of decoration panel.
4. Arrange wires not to get caught between decoration panel and indoor unit.
5. Screw the fixing screws. (TU Chassis : 6 screws / TT Chassis : 7 screws)
6. Connect the vane motor connector, display connector.
7. Install the air inlet panel (including the air filter) and side covers.

#### Notice

For more details, refer to the product or panel installation manual.

#### ⚠ CAUTION

- Install certainly the decoration panel. Cool air leakage causes sweating or falling of water-drops.

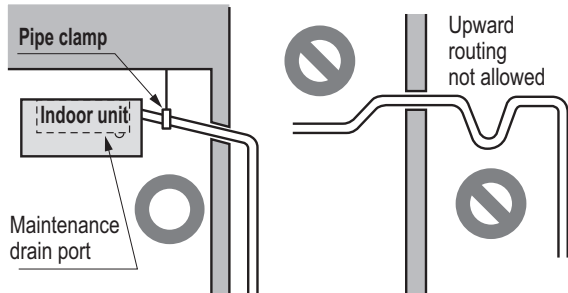


## 8. Installation

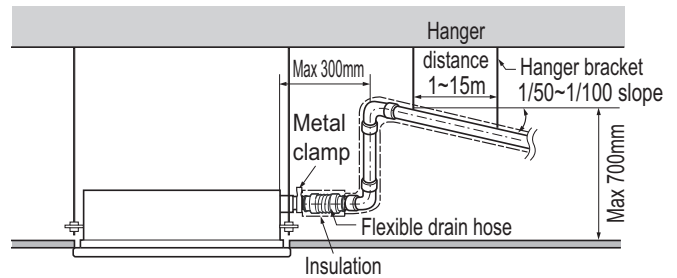
### 8.6 Indoor Unit Drain Piping

#### 8.6.1 Drain piping of indoor unit with drain pump

- Drain piping must have down-slope (1/50 to 1/100). Be sure not to provide up-and-down slope to prevent reversal flow.
- During drain piping connection, be careful not to exert force on the drain port on the indoor unit.
- The outside diameter of the drain connection on the indoor unit is 32 mm (1-1/4 inch).
  - Piping material: Use the Polyvinyl chloride pipe, 25 mm (1 inch) pipe fittings.

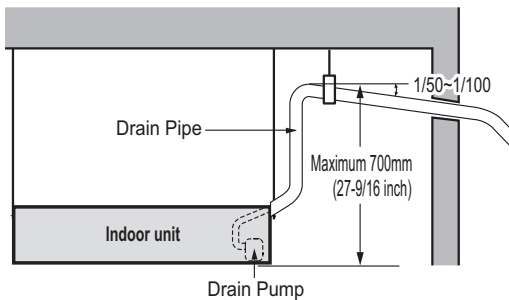


※ According to type of indoor unit, external appearance could be different.

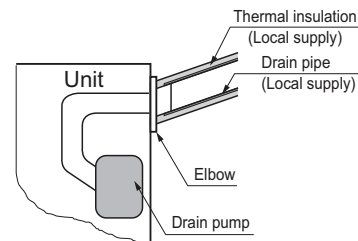


※ According to type of indoor unit, external appearance could be different.

- Possible drain head height is upto 700 mm (27-6/19 inch). So the drain head should be installed below 700 mm (27-6/19 inch).
- Be sure to install heat insulation on the drain piping.
  - Heat insulation material: Polyethylene foam with thickness more than 8 mm (5/16 inch).



※ According to type of indoor unit, external appearance could be different.

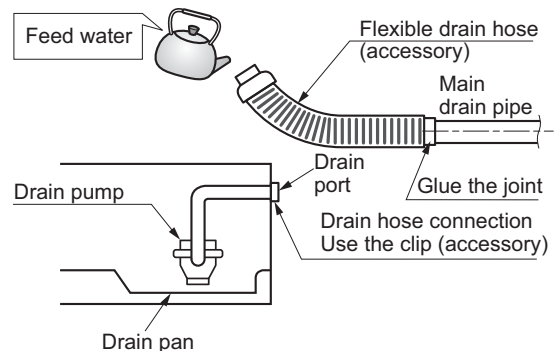


#### 8.6.2 Method of Drainage test

##### ◆ Drainage test of indoor unit with drain pump

Use the following procedure to test the drain pump operation.

1. Connect the main drain pipe to the exterior and leave it provisionally until the test comes to an end.
2. Feed water to the flexible drain hose and check the piping for leakage.
3. Be sure to check the drain pump for normal operating and noise when electrical wiring is complete.
4. When the test is complete, connect the flexible drain hose to the drain port on the indoor unit.

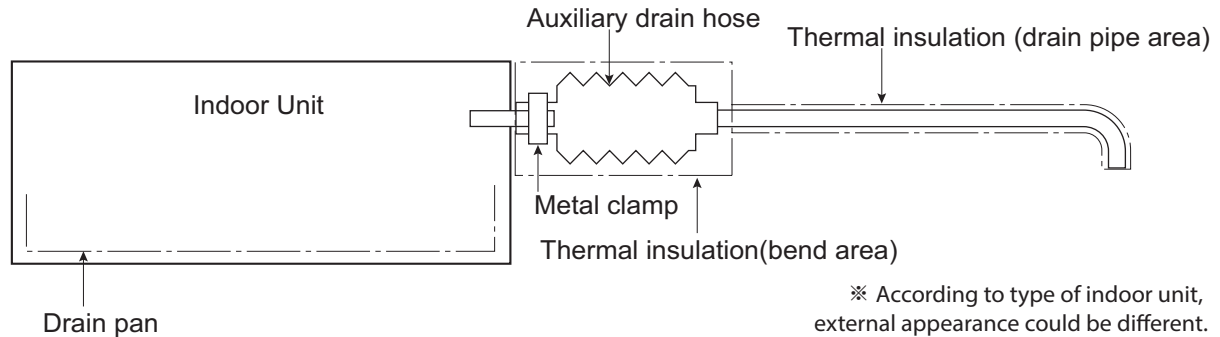


※ According to type of indoor unit, external appearance could be different.

## 8. Installation

### 8.6.3 Connection of an auxiliary(flexible) drain hose

- To connect drain pipe to the drain socket on the indoor unit, an auxiliary flexible drain hose should be used. auxiliary flexible drain hose allows that the drain pipe can be connected to the socket without breaking by excessive strain.

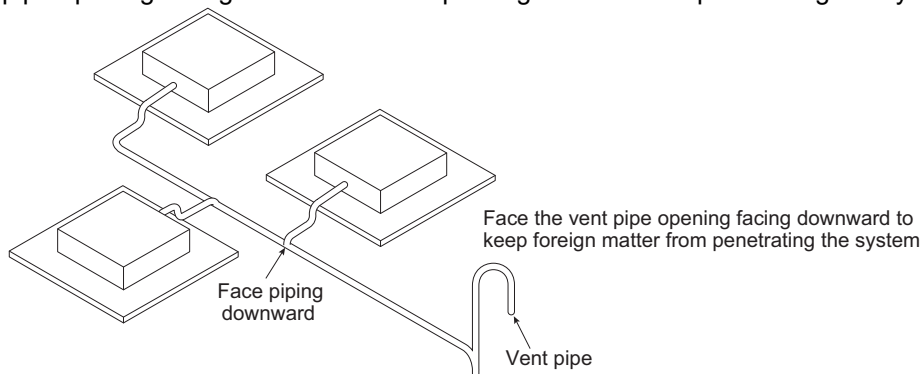


#### ⚠ CAUTION

- The supplied flexible drain hose should not be curved, neither screwed. The curved or screwed hose may cause a leakage of water.
- It is need to insulate the auxiliary drain hose with thermal insulation material.

### 8.6.4 Ground drain piping

- It is standard work practice to make connections to the main pipe from above. The pipe down from the combination should be as large as possible.
- The pipe work should be kept as short as possible and the number of indoor units per group kept to a minimum.
- Face the vent pipe opening facing downward to keep foreign matter from penetrating the system.



# **MULTI/SINGLE**

Indoor unit

## **Ceiling Mounted cassette 4-way**

- 1.List of Functions**
- 2.Specifications**
- 3.Dimensions**
- 4.Piping Diagrams**
- 5.Wiring Diagrams**
- 6.Air flow and temperature distribution**
- 7.Sound Levels**
- 8.Installation**

# 1. List of functions

## ◆ List of function

Category	Functions	ZMNV05GTRA0 [MT06R NR0]	ZMNV07GTRA0 [MT08R NR0]
Air Flow	Air Supply Outlet		4
	Airflow Direction Control (left & right)		X
	Airflow Direction Control (up & down)		Auto
	Auto Swing (left & right)		X
	Auto Swing (up & down)		O
	Airflow Steps (fan/cool/heat)		4 / 5 / 4
	Fan Speed Auto*		X
	Power Cool/Heat		O / X
	Swirl Wind*		O
	Refresh Mode**		X
	Smart Mode**		X
	Indirect Wind*		O
	Direct Wind*		O
Dry Operation		O	
Air Purification	Air Purify		X
	Ionizer		X
	UV-C		X
	Pre-Filter		O
	PM1.0 Filter		X
Reliability	Hot Start		O
	Self Diagnosis		O
Convenience	Auto Mode		O
	Auto Dry Operation		O
	Auto Restart		O
	Child Lock*		O
	Forced Operation		O
	Group Control*		O
	Sleep Timer		O
	Turn On/Off Reservation		O
	Schedule*		O
	Two Thermistor Control*		X
	External On/Off		O
Installation	Drain Pump		O
	E.S.P. Control*		X
	High Ceiling Operation*		O
Special Functions	Wi-Fi		Accessory
	Auto Elevation Grille		X
	Human Detection Function**		X
	Floor Detection Function**		X

### Note

- O : Applied, X : Not Applied, - : Unconfirmed or irrelevant  
Embedded : A kit is provided by default for using this function when the product is manufactured.  
Accessory : Ordered and purchased separately the accessory package referring to the model name provided and install at field. Accessory line-ups varies by region, so check your local catalogue or local sales material.
- Some functions can be limited by remote controller.
- In case of cassette type indoor units, Air Purification Kit and Auto Elevation Grille functions are not applicable at the same time.
- 'Auto Mode' varies depending on the outdoor unit type.  
- Auto Change Over(Single Heat Pump Outdoor Unit)  
- Auto Mode Select(Multi Heat Pump Outdoor Unit)  
- Auto Intensity Control(Cooling Only Outdoor Unit)
- \* : These functions need to connect the wired remote controller.
- \*\* : This functions need to connect to the Standard III wired remote controller.

# 1. List of functions

## ◆ Accessory Compatibility List

Category		Product	Remark	ZMNW05GTRA0 [MT06R NR0] ZMNW07GTRA0 [MT08R NR0]
Wireless Remote Controller		PQWRHQ0FDB	Heat Pump	O (Embedded)
		PWLSSB21H	Heat Pump	O
Wired Remote Controller	Simple	PQRCVCL0Q(W)	Simple	O
		PQRCHCA0Q(W)	for Hotel	O
	Standard	PREMTB001	Standard II (White)	O (Embedded)
		PREMTBB01	Standard II (Black)	O
		PREMTB100	Standard III (White)	O
		PREMTBB10	Standard III (Black)	O
	Premium	PREMTA000(A/B)	Premium	O
Dry contact	Simple Contact	PDRYCB000	Simple Dry Contact	O
	Communication type	PDRYCB400	2 Points Dry Contact (For Setback)	O
		PDRYCB300	For 3rd Party Thermostat	O
		PDRYCB320	For 3rd Party Thermostat (Analog Input)	O
		PDRYCB500	For Modbus	O
Gateway	IDU PI485	PHNFP14A0	Without case	X
		PSNFP14A0	With case	X
ETC	Remote temperature sensor	PQRSTA0	-	O
	Zone controller	ABZCA	-	X
	CO <sub>2</sub> Sensor	PES-C0RV0	For ERV, ERV DX Indoor units	X
	Group control wire	PZCWRCG3	0.25m	O
	2-Remo Control Wire	PZCWRC2	0.25m	O
	Extension Wire	PZCWRC1	10m	O
	Wi-Fi Controller*	PWFMDD200	-	O
Human detecting sensor	PTVSAA0	-	X	

### Note

1. O: Possible, X: Impossible, -: Not applicable, Embedded: Included with product.
2. \*: Some advanced functions controlled by individual controller cannot be operated.
3. If there is a difference in development time between the product and the remote controller, some functions cannot be operated.
4. Selecting a wireless remote controller in case of ducted type indoor units requires either a connection to the wired remote controller (Standard II) or an IR receiver accessory to be connected to the duct in order to receive the signal.
5. If you need more detail, please refer to the **BECON** PDB or the manual of product. (<http://partner.lge.com/global> : Home> Doc.Library> Product > Control(BECON))

# 1. List of functions

## ◆ List of function

Category	Functions	ZTNW09GRLA1 [CT09F NR0] ZTNW12GRLA1 [CT12F NR0] ZTNW18GQLA1 [CT18F NQ0]
Air Flow	Air Supply Outlet	4
	Airflow Direction Control (left & right)	X
	Airflow Direction Control (up & down)	Auto
	Auto Swing (left & right)	X
	Auto Swing (up & down)	O
	Airflow Steps (fan/cool/heat)	4 / 5 / 4
	Fan Speed Auto*	X
	Power Cool/Heat	O / O
	Swirl Wind*	O
	Refresh Mode**	X
	Smart Mode**	X
	Indirect Wind*	O
	Direct Wind*	O
	Dry Operation	O
Air Purification	Air Purify	X
	Ionizer	X
	UV-C	X
	Pre-Filter	O
	PM1.0 Filter	X
Reliability	Hot Start	O
	Self Diagnosis	O
Convenience	Auto Mode	O
	Auto Dry Operation	O
	Auto Restart	O
	Child Lock*	O
	Forced Operation	O
	Group Control*	O
	Sleep Timer	O
	Turn On/Off Reservation	O
	Schedule*	O
	Two Thermistor Control*	O
External On/Off	O	
Installation	Drain Pump	O
	E.S.P. Control*	X
	High Ceiling Operation*	O
Special Functions	Wi-Fi	Accessory
	Auto Elevation Grille	Accessory
	Human Detection Function**	X
	Floor Detection Function**	X

### Note

- O : Applied, X : Not Applied, - : Unconfirmed or irrelevant  
Embedded : A kit is provided by default for using this function when the product is manufactured.  
Accessory : Ordered and purchased separately the accessory package referring to the model name provided and install at field. Accessory line-ups varies by region, so check your local catalogue or local sales material.
- Some functions can be limited by remote controller.
- In case of cassette type indoor units, Air Purification Kit and Auto Elevation Grille functions are not applicable at the same time.
- 'Auto Mode' varies depending on the outdoor unit type.
  - Auto Change Over(Single Heat Pump Outdoor Unit)
  - Auto Mode Select(Multi Heat Pump Outdoor Unit)
  - Auto Intensity Control(Cooling Only Outdoor Unit)
- \* : These functions need to connect the wired remote controller.
- \*\* : This functions need to connect to the Standard III wired remote controller.



# 1. List of functions

## ◆ Accessory Compatibility List

Category		Product	Remark	ZTNW09GRLA1 [CT09F NR0] ZTNW12GRLA1 [CT12F NR0] ZTNW18GQLA1 [CT18F NQ0]
Wireless Remote Controller		PQWRHQ0FDB	Heat Pump	O
		PWLSSB21H	Heat Pump	O
Wired Remote Controller	Simple	PQRCVCL0Q(W)	Simple	O
		PQRCHCA0Q(W)	for Hotel	O
	Standard	PREMTB001	Standard II (White)	O
		PREMTBB01	Standard II (Black)	O
		PREMTB100	Standard III (White)	O
		PREMTBB10	Standard III (Black)	O
	Premium	PREMTA000(A/B)	Premium	O
Dry contact	Simple Contact	PDRYCB000	Simple Dry Contact	O
	Communication type	PDRYCB400	2 Points Dry Contact (For Setback)	O
		PDRYCB300	For 3rd Party Thermostat	O
		PDRYCB320	For 3rd Party Thermostat (Analog Input)	O
		PDRYCB500	For Modbus	O
Gateway	IDU PI485	PHNFP14A0	Without case	X
		PSNFP14A0	With case	X
ETC	Remote temperature sensor	PQRSTA0	-	O
	Zone controller	ABZCA	-	X
	CO <sub>2</sub> Sensor	PES-C0RV0	For ERV, ERV DX Indoor units	X
	Group control wire	PZCWRCG3	0.25m	O
	2-Remo Control Wire	PZCWRC2	0.25m	O
	Extension Wire	PZCWRC1	10m	O
	Wi-Fi Controller*	PWFMD200	-	O
	Human detecting sensor	PTVSA00	-	X

### Note

- O: Possible, X: Impossible, -: Not applicable, Embedded: Included with product.
- \*: Some advanced functions controlled by individual controller cannot be operated.
- \*\* : It could not be operated some functions.
- \*\*\* : Selecting a wireless remote controller in case of ducted type indoor units requires either a connection to the wired remote controller (Standard II) or an IR receiver accessory to be connected to the duct in order to receive the signal.
- If you need more detail, please refer to the **BECON** PDB or the manual of product. (<http://partner.lge.com/global> : Home> Doc.Library> Product > Control(BECON))

## 2. Specifications

Model Name			Unit	ZMNW05GTRA0 [MT06R NR0]	ZMNW07GTRA0 [MT08R NR0]	
Power Supply			V, Ø, Hz	220-240, 1, 50	220-240, 1, 50	
				220, 1, 60	220, 1, 60	
Capacity(Nominal)	Cooling		kW	1.5	2.1	
	Heating		kW	1.7	2.3	
Exterior	Color		-	Steel Gray	Steel Gray	
Dimensions		W x H x D	mm	570 × 214 × 570	570 × 214 × 570	
Weight	Net		kg	11.7	11.7	
	Shipping		kg	14.8	14.8	
Heat Exchanger	Rows x Columns x FPI		-	1 x 8 x 18	1 x 8 x 18	
	Face Area		m <sup>2</sup>	0.21	0.21	
Fan Type				3D Turbo Fan	3D Turbo Fan	
Air Flow Rate		H / M / L	m <sup>3</sup> /min	7.5 / 6.0 / 5.0	7.5 / 6.0 / 5.0	
Fan Motor	Type			BLDC	BLDC	
	Drive			Internal	Internal	
	Output		W x No.	43 x 1	43 x 1	
	Power Input	Min./ Nom./ Max	W	10 / 20 / 20	10 / 20 / 20	
FLA (Full Load Ampere)			A	0.4	0.4	
Dehumidification Rate			ℓ/h	-	-	
Safety Device				Fuse / Thermal Protector for Fan Motor		
Piping Connections	Liquid Side		mm (inch)	Ø 6.35 (1/4)	Ø 6.35 (1/4)	
	Gas Side		mm (inch)	Ø 9.52 (3/8)	Ø 9.52 (3/8)	
	Drain Pipe	O.D. / I.D.	mm	Ø 32.0 / 25.0	Ø 32.0 / 25.0	
Sound Pressure Level	Cooling	H / M / L	dB(A)	31 / 27 / 24	31 / 27 / 24	
Sound Power Level	Cooling	Rated	dB(A)	48	48	
Power and Communication Cable (included Earth)			No. x mm <sup>2</sup>	4C x 0.75	4C x 0.75	
Decoration Panel	Model Name			PT-QCHW0	PT-QCHW0	
	Color(RAL)			Morning Fog(9001)	Morning Fog(9001)	
	Dimensions	W x H x D	mm	620 × 34 × 620	620 × 34 × 620	
	Net Weight			kg	3.0	3.0
	Shipping Weight			kg	4.1	4.1

### Note

1. Due to our policy of innovation some specifications may be changed without notification.
2. Wiring cable size must comply with the applicable local and national code. And "Electric characteristics" chapter should be considered for electrical work and design. Especially the power cable and circuit breaker should be selected in accordance with that.
3. Sound Level Values are measured at Noise Measuring chamber accordance with standard. Therefore, these values depend on the ambient conditions and values are normally higher in actual operation(Sound Pressure : LG Internal standard, Sound Power : EN 12102 (ISO 3741).
4. Capacities are net capacities and based on the following conditions. Refer to the Outdoor Unit Specifications for calculating the real capacity.
  - Cooling : Indoor Ambient Temp. 27°CDB / 19°CWB, Outdoor Ambient Temp. 35°CDB / 24°CWB
  - Heating : Indoor Ambient Temp. 20°CDB / 15°CWB, Outdoor Ambient Temp. 7°CDB / 6°CWB
  - Interconnected Pipe is standard length and difference of Elevation (Outdoor ~ Indoor Unit) is 0m.

## 2. Specifications

Model Name			Unit	ZTNW09GRLA1 [CT09F NR0]	ZTNW12GRLA1 [CT12F NR0]
Power Supply			V, Ø, Hz	220-240, 1, 50 220, 1, 60	220-240, 1, 50 220, 1, 60
Capacity(Nominal)	Cooling		kW	2.5	3.4
	Heating		kW	3.2	4.1
Power Input		H / M / L	W	26 / 22 / 19	28 / 24 / 20
Running Current		H / M / L	A	0.31 / 0.29 / 0.27	0.32 / 0.30 / 0.28
		Max.	A	0.40	0.40
Exterior	Color		-	Steel Gray	Steel Gray
Dimensions		W x H x D	mm	570 × 214 × 570	570 × 214 × 570
Weight	Net		kg	12.4	12.4
	Shipping		kg	15.6	15.6
Heat Exchanger	Rows x Columns x FPI			(2 x 8 x 18) x 1	(2 x 8 x 18) x 1
	Face Area		m <sup>2</sup>	0.22	0.22
Fan Type				3D Turbo Fan	3D Turbo Fan
Air Flow Rate		H / M / L	m <sup>3</sup> /min	8.5 / 7.0 / 6.0	9.5 / 8.0 / 7.0
Fan Motor	Type			BLDC	BLDC
	Drive			Internal	Internal
	Output		W x No.	43 x 1	43 x 1
Safety Device				Fuse / Thermal Protector for Fan Motor	
Piping Connections	Liquid Side		mm (inch)	Ø 6.35 (1/4)	Ø 6.35 (1/4)
	Gas Side		mm (inch)	Ø 9.52 (3/8)	Ø 9.52 (3/8)
	Drain Pipe	O.D. / I.D.	mm	Ø 32.0 / 25.0	Ø 32.0 / 25.0
Sound Pressure Level	Cooling	H / M / L	dB(A)	36 / 33 / 30	38 / 35 / 32
	Heating	H / M / L	dB(A)	36 / 33 / 30	38 / 35 / 32
Sound Power Level	Cooling	Rated	dB(A)	52	52
	Heating	Rated	dB(A)	-	-
Power and Communication Cable (included Earth)			No. x mm <sup>2</sup>	4C x 0.75	4C x 0.75
Decoration Panel	Model Name			PT-QAGW0	PT-QAGW0
	Color (RAL)			White (9003)	White (9003)
	Dimensions	W x H x D	mm	620 × 35 × 620	620 × 35 × 620
	Net Weight		kg	2.85	2.85
	Shipping Weight		kg	3.90	3.90

### Note

- Due to our policy of innovation some specifications may be changed without notification.
  - Wiring cable size must comply with the applicable local and national code. And "Electric characteristics" chapter should be considered for electrical work and design. Especially the power cable and circuit breaker should be selected in accordance with that.
  - Sound Level Values are measured at Noise Measuring chamber accordance with standard. Therefore, these values depend on the ambient conditions and values are normally higher in actual operation(Sound Pressure : LG Internal standard, Sound Power : EN 12102 (ISO 3741).
  - Capacities are net capacities and based on the following conditions. Refer to the Outdoor Unit Specifications for calculating the real capacity.
    - Cooling : Indoor Ambient Temp. 27°CDB / 19°CWB, Outdoor Ambient Temp. 35°CDB / 24°CWB
    - Heating : Indoor Ambient Temp. 20°CDB / 15°CWB, Outdoor Ambient Temp. 7°CDB / 6°CWB
    - Interconnected Pipe is standard length and difference of Elevation (Outdoor ~ Indoor Unit) is 0m.
- \* : For combined with Multi system, socket provided with indoor units should be connected.

## 2. Specifications

Model Name			Unit	ZTNW18GQLA1 [CT18F NQ0]
Power Supply			V, Ø, Hz	220-240, 1, 50
				220, 1, 60
Capacity(Nominal)	Cooling		kW	5.0
	Heating		kW	5.7
Power Input		H / M / L	W	30 / 26 / 22
Running Current		H / M / L	A	0.33 / 0.31 / 0.29
		Max.	A	0.40
Exterior	Color		-	Steel Gray
Dimensions		W x H x D	mm	570 × 256 × 570
Weight	Net		kg	13.9
	Shipping		kg	16.9
Heat Exchanger	Rows x Columns x FPI			(2 x 10 x 18) x 1
	Face Area		m <sup>2</sup>	0.28
Fan Type				3D Turbo Fan
Air Flow Rate		H / M / L	m <sup>3</sup> /min	13.0 / 12.0 / 11.0
Fan Motor	Type			BLDC
	Drive			Internal
	Output		W x No.	43 x 1
Safety Device				Fuse / Thermal Protector for Fan Motor
Piping Connections	Liquid Side		mm (inch)	Ø 6.35 (1/4)
	Gas Side		mm (inch)	Ø 12.7 (1/2)
	Drain Pipe	O.D. / I.D.	mm	Ø 32.0 / 25.0
Sound Pressure Level	Cooling	H / M / L	dB(A)	41 / 39 / 37
	Heating	H / M / L	dB(A)	41 / 39 / 37
Sound Power Level	Cooling	Rated	dB(A)	57
	Heating	Rated	dB(A)	-
Power and Communication Cable (included Earth)			No. x mm <sup>2</sup>	4C x 0.75
Decoration Panel	Model Name			PT-QAGW0
	Color(RAL)			White (9003)
	Dimensions	W x H x D	mm	620 × 35 × 620
	Net Weight		kg	2.85
	Shipping Weight		kg	3.90

### Note

- Due to our policy of innovation some specifications may be changed without notification.
  - Wiring cable size must comply with the applicable local and national code. And "Electric characteristics" chapter should be considered for electrical work and design. Especially the power cable and circuit breaker should be selected in accordance with that.
  - Sound Level Values are measured at Noise Measuring chamber accordance with standard. Therefore, these values depend on the ambient conditions and values are normally higher in actual operation(Sound Pressure : LG Internal standard, Sound Power : EN 12102 (ISO 3741).
  - Capacities are net capacities and based on the following conditions. Refer to the Outdoor Unit Specifications for calculating the real capacity.
    - Cooling : Indoor Ambient Temp. 27°CDB / 19°CWB, Outdoor Ambient Temp. 35°CDB / 24°CWB
    - Heating : Indoor Ambient Temp. 20°CDB / 15°CWB, Outdoor Ambient Temp. 7°CDB / 6°CWB
    - Interconnected Pipe is standard length and difference of Elevation (Outdoor ~ Indoor Unit) is 0m.
- \* : For combined with Multi system, socket provided with indoor units should be connected.

### 3. Dimensions

#### ZMNW05GTRA0 [MT06R NR0] / ZMNW07GTRA0 [MT08R NR0]

**[Unit: mm]**  
 Chassis Code : TR  
 DWG No. : TBA3008201\_Rev01

**3D View**

**View A**  
 Fresh Air Intake hole

Head of water lift : 700 or less

**Installation position of body**

(Keep this distance between the bottom surface of body and Ceiling Surface)

**Symbols**

- ➔ View Direction
- ➔ Refrigerant/Drain Piping Direction
- Datum line

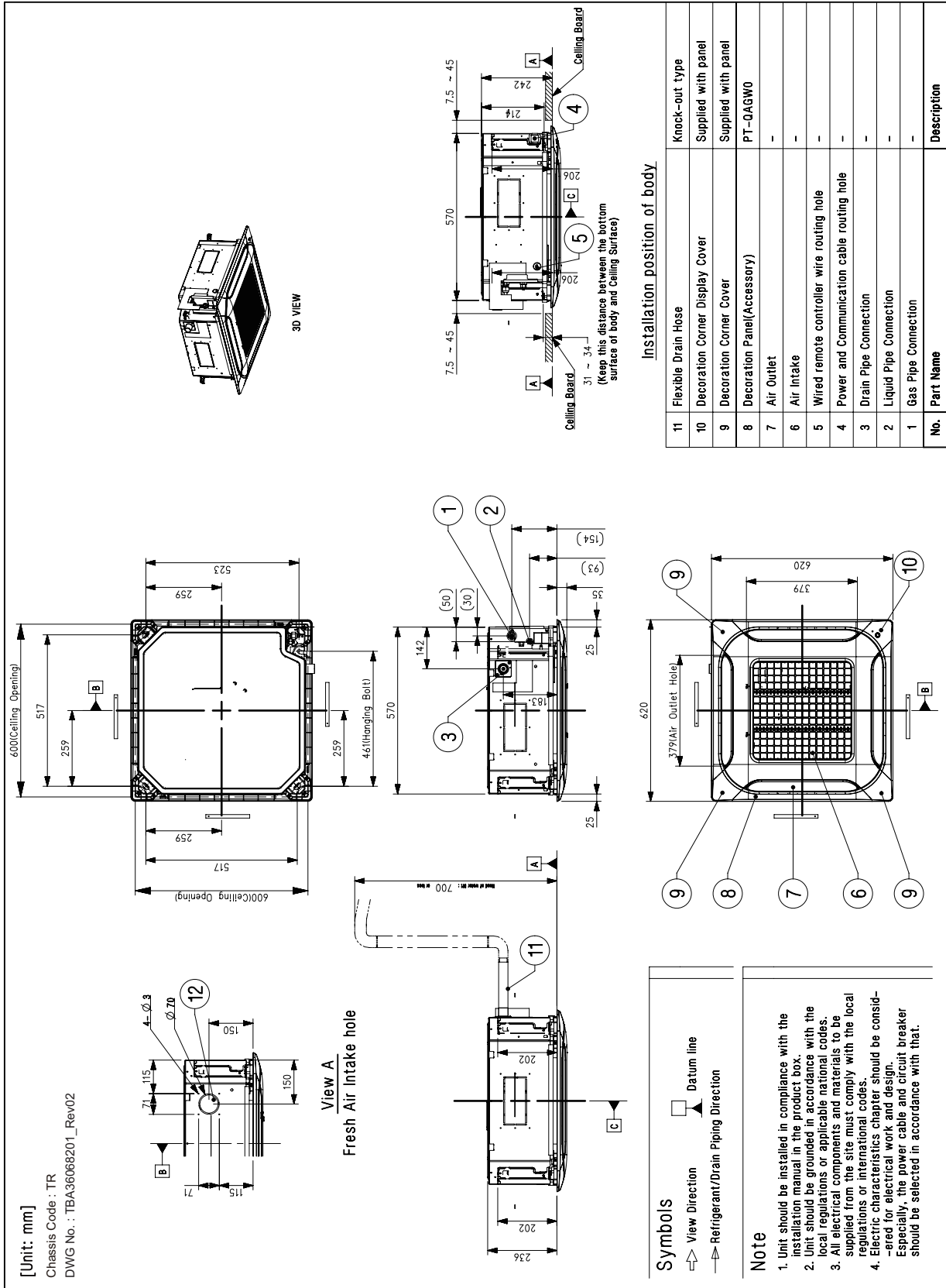
**Note**

1. Unit should be installed in compliance with the installation manual in the product box.
2. Unit should be grounded in accordance with the local regulations or applicable national codes.
3. All electrical components and materials to be supplied from the site must comply with the local regulations or international codes.
4. Electric characteristics chapter should be considered for electrical work and design. Especially, the power cable and circuit breaker should be selected in accordance with that.

No.	Part Name	Knock-out type	Description
12	Fresh Air Intake Hole	-	-
11	Flexible Drain Hose	Supplied with product	-
10	Decoration Corner Display Cover	Supplied with panel	-
9	Decoration Corner Cover	Supplied with panel	-
8	Decoration Panel(Accessory)	PT-OCHW0	-
7	Air Outlet	-	-
6	Air Intake	-	-
5	Wired remote controller wire routing hole	-	-
4	Power and Communication cable routing hole	-	-
3	Drain Pipe Connection	-	-
2	Liquid Pipe Connection	-	-
1	Gas Pipe Connection	-	-

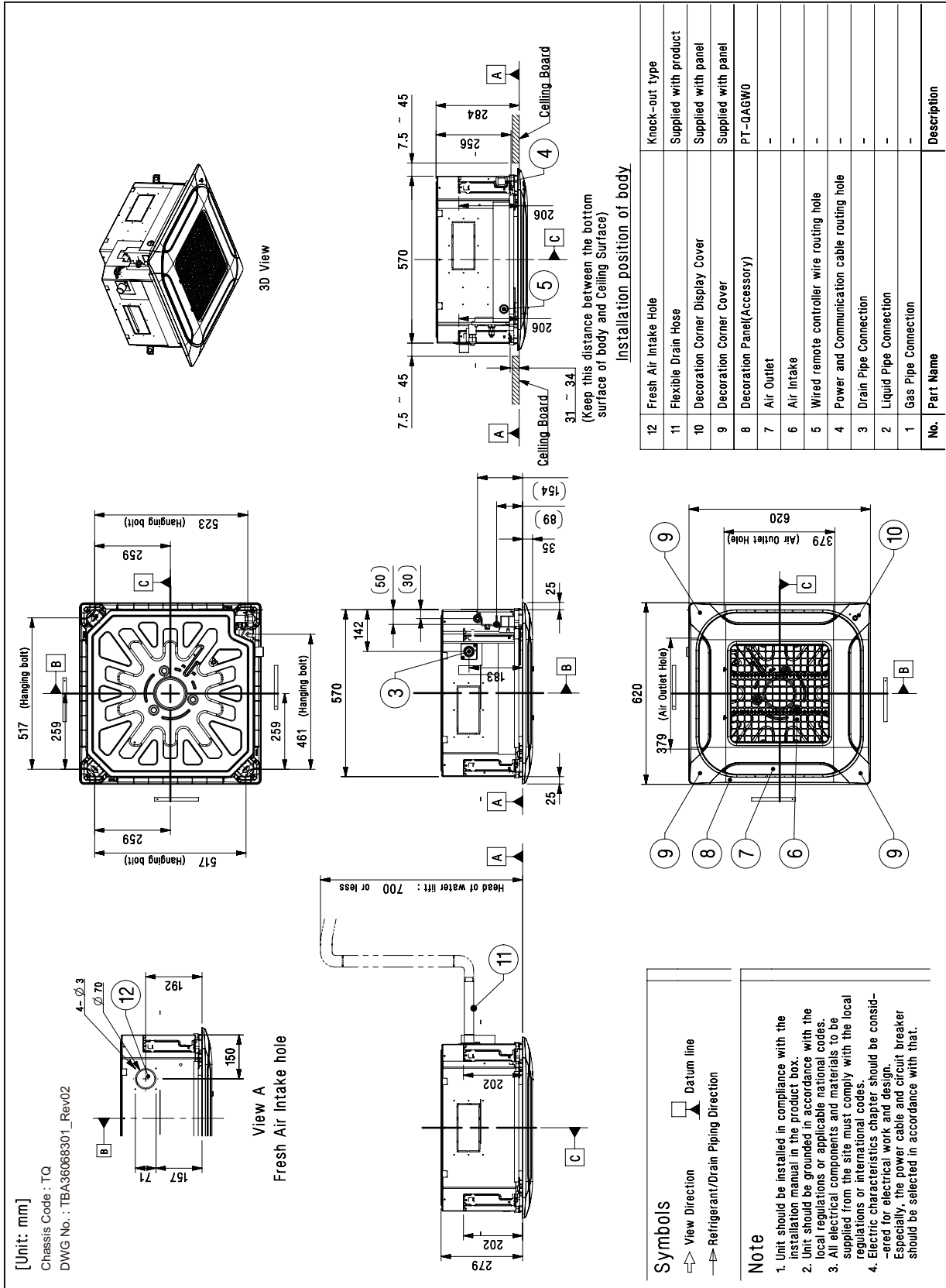
# 3. Dimensions

## ZTNW09GRLA1 [CT09F NR0] / ZTNW12GRLA1 [CT12F NR0]



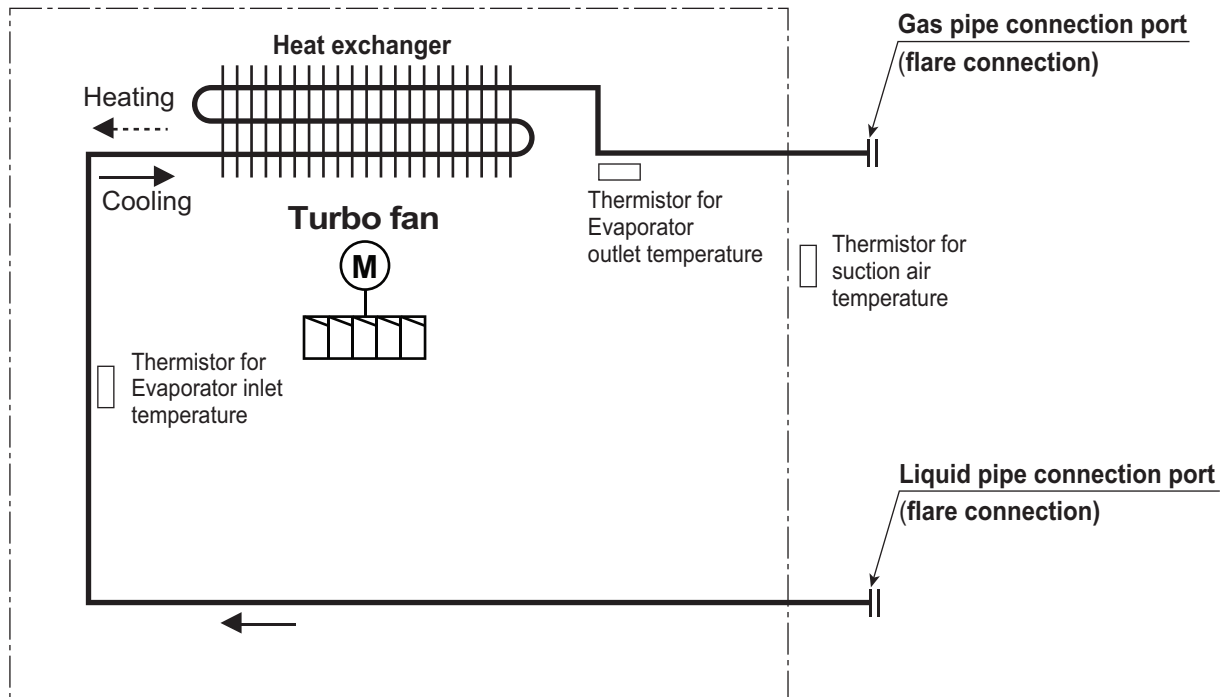
# 3. Dimensions

## ZTNW18GQLA1 [CT18F NQ0]



## 4. Piping Diagrams

- ZMNW05GTRA0 [MT06R NR0] / ZMNW07GTRA0 [MT08R NR0]  
 / ZTNW09GRLA1 [CT09F NR0] / ZTNW12GRLA1 [CT12F NR0]  
 / ZTNW18GQLA1 [CT18F NQ0]

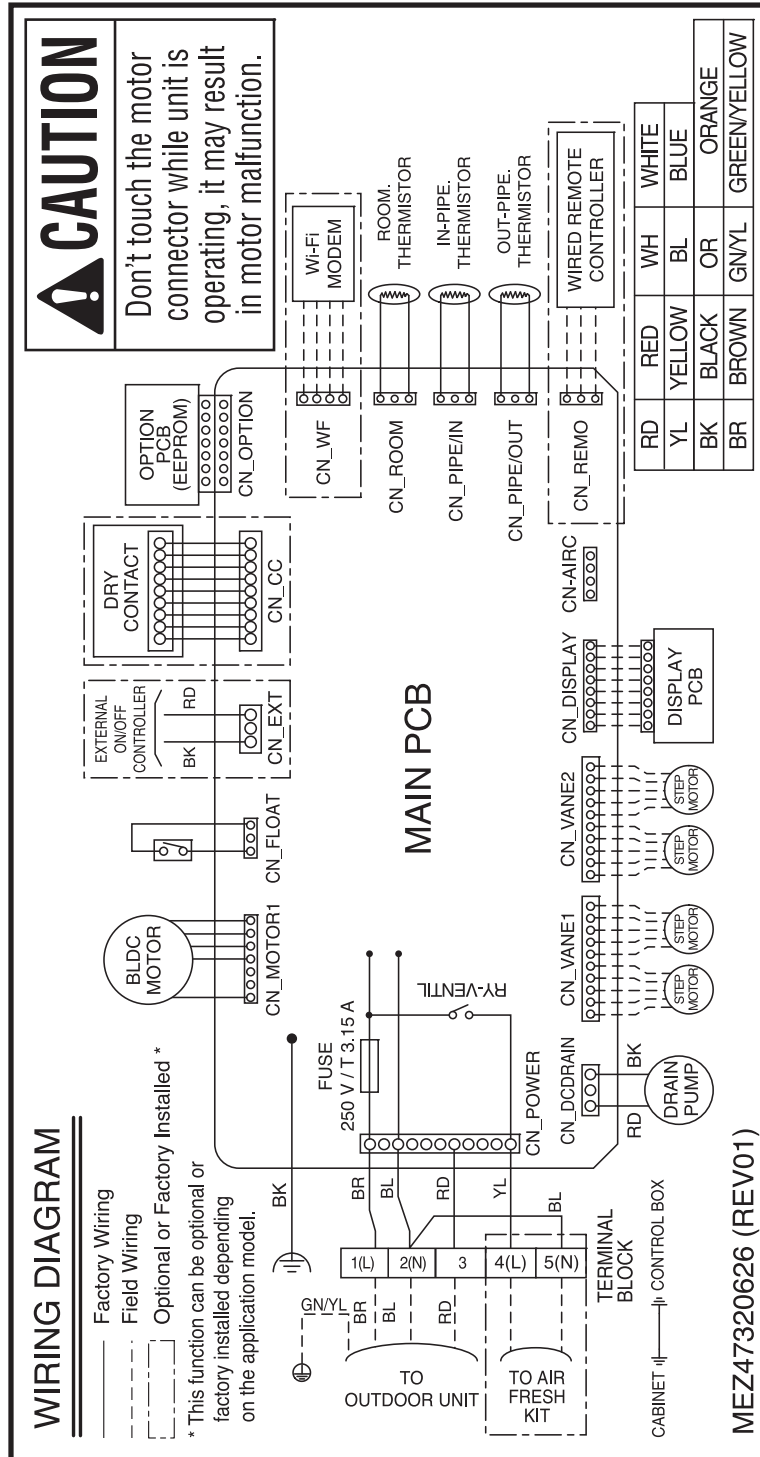


Description	PCB Connector
Thermistor for suction air temperature	CN-ROOM
Thermistor for evaporator inlet temperature	CN-PIPE / IN
Thermistor for evaporator outlet temperature	CN-PIPE / OUT



# 5. Wiring Diagrams

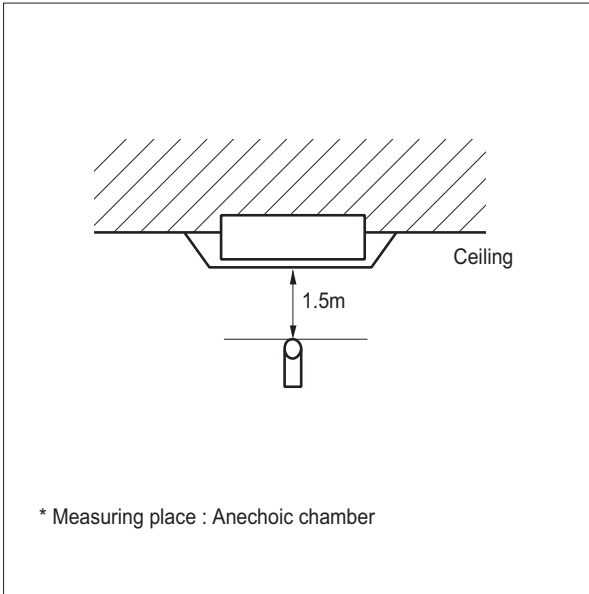
- ZMNW05GTRA0 [MT06R NR0] / ZMNW07GTRA0 [MT08R NR0]
- / ZTNW09GRLA1 [CT09F NR0] / ZTNW12GRLA1 [CT12F NR0]
- / ZTNW18GQLA1 [CT18F NQ0]



# 6. Sound levels

## 6.1 Sound Pressure Level

### Overall

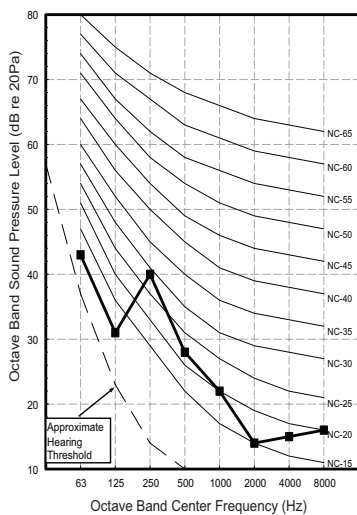


**Note**

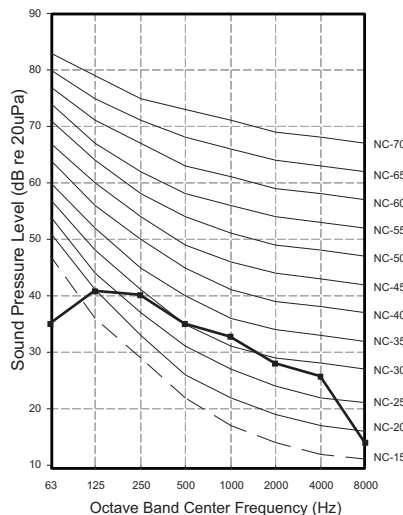
1. Sound measured at some distance away from the center of the unit.
2. Data is valid at free field condition.
3. Reference acoustic pressure 0dB = 20μPa.
4. Data is valid at nominal operation condition.  
Refer to the Model Specifications for nominal conditions(Power source and Ambient temperature, etc)
5. Sound levels can be increased in accordance with installation and operating conditions. (Static pressure mode, used air guide, Room target temperature setting, etc)
6. Sound level will vary depending on a range of factors such as the construction(acoustic absorption coefficient) of particular room in which the equipment is installed.
7. Sound pressure level is measured on the rated condition in the anechoic rooms. (LG Internal Standard)  
Therefore, these values can be increased owing to ambient conditions during operation.

Model	50Hz, 220-240V		
	Sound pressure Levels [dB(A)]		
	H	M	L
ZMNW05GTRA0 [MT06R NR0]	31	27	24
ZMNW07GTRA0 [MT08R NR0]	31	27	24
ZTNW09GRLA1 [CT09F NR0]	36	33	30
ZTNW12GRLA1 [CT12F NR0]	38	35	32
ZTNW18GQLA1 [CT18F NQ0]	41	39	37

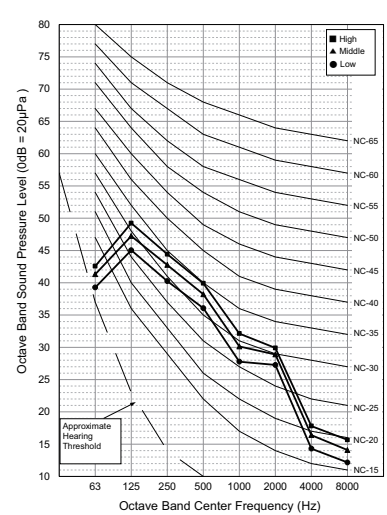
**ZMNW05GTRA0 [MT06R NR0]  
ZMNW07GTRA0 [MT08R NR0]**



**ZTNW09GRLA1 [CT09F NR0]  
ZTNW12GRLA1 [CT12F NR0]**



**ZTNW18GQLA1 [CT18F NQ0]**



## 6. Sound levels

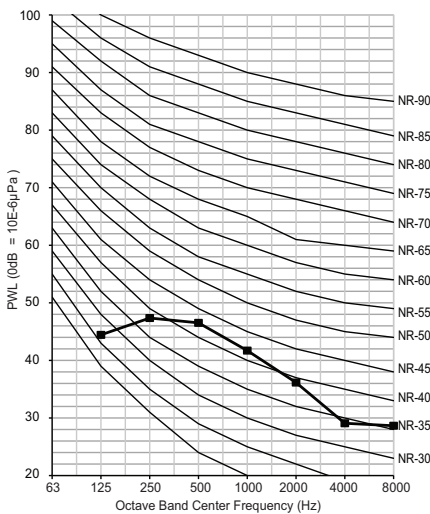
### 6.2 Sound Power Level

**Note**

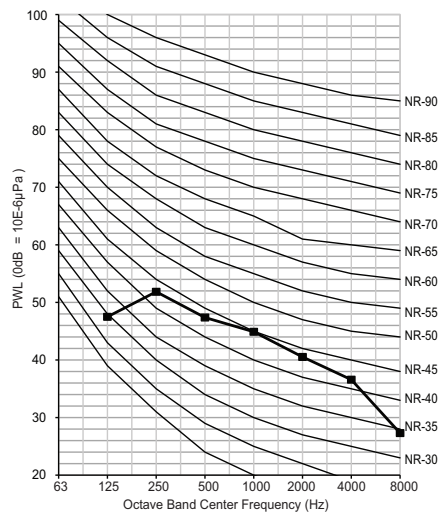
1. Data is valid at diffuse field condition.
2. Data is valid at nominal operation condition.  
Refer to the Model Specifications for nominal conditions(Power source and Ambient temperature, etc)
3. Sound level can be increased in static pressure mode or used air guide.
4. Sound level will vary depending on a range of factors such as the construction (acoustic absorption coefficient).
5. Reference acoustic intensity 0dB =  $10E-6\mu W/m^2$
6. Sound power level is measured on the rated condition in the reverberation rooms by ISO 3741 standard.  
Therefore, these values can be increased owing to ambient conditions during operation.

Model	Sound power level [dB(A)]
	Cooling
ZMNW05GTRA0 [MT06R NR0]	48
ZMNW07GTRA0 [MT08R NR0]	48
ZTNW09GRLA1 [CT09F NR0]	52
ZTNW12GRLA1 [CT12F NR0]	52
ZTNW18GQLA1 [CT18F NQ0]	57

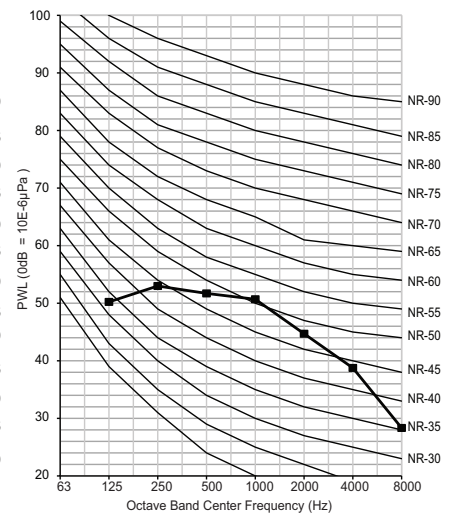
**ZMNW05GTRA0 [MT06R NR0]  
ZMNW07GTRA0 [MT08R NR0]**



**ZTNW09GRLA1 [CT09F NR0]  
ZTNW12GRLA1 [CT12F NR0]**



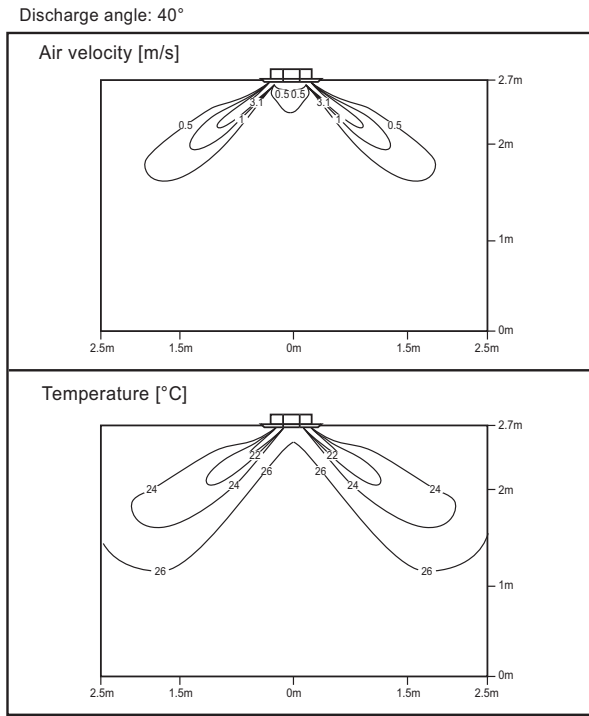
**ZTNW18GQLA1 [CT18F NQ0]**



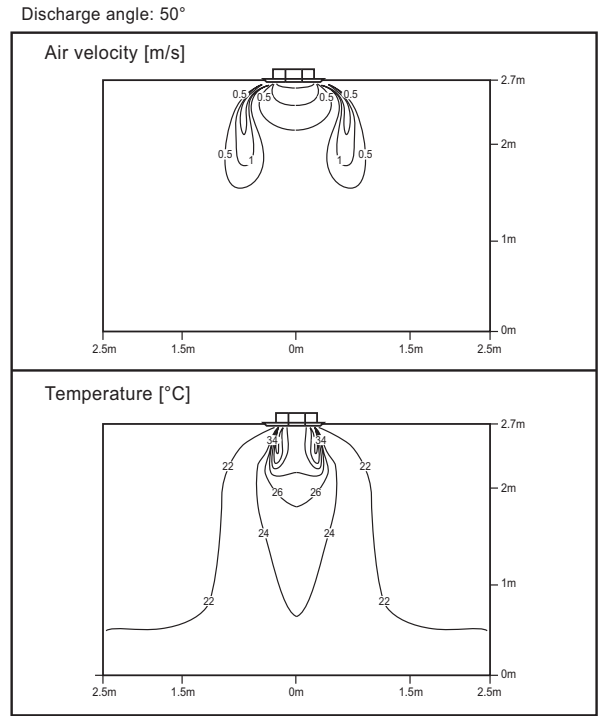
# 7. Air flow and temperature distributions (reference data)

## ZMNW05GTRA0 [MT06R NR0] / ZMNW07GTRA0 [MT08R NR0]

### Cooling

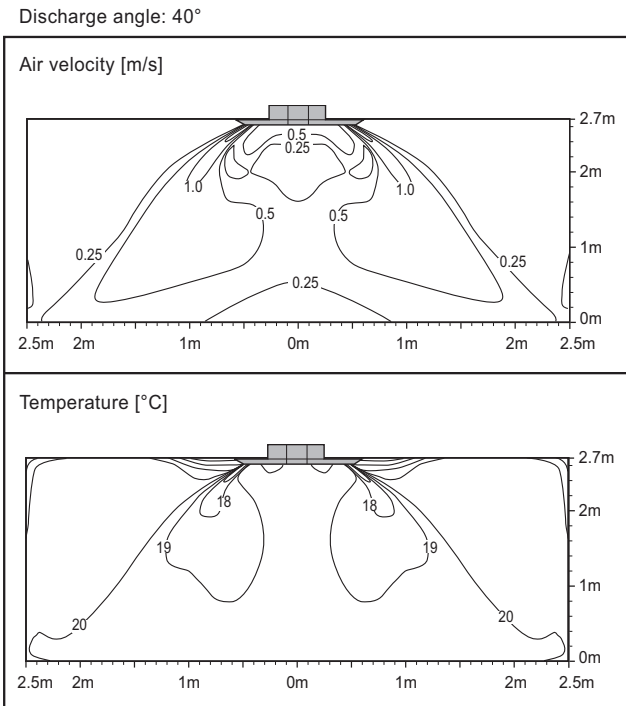


### Heating

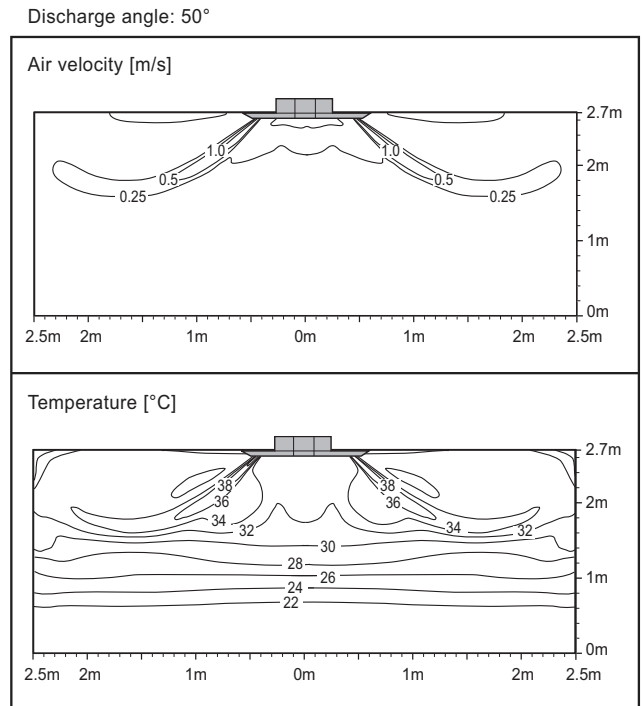


## ZTNW09GRLA1 [CT09F NR0]

### Cooling



### Heating



**Note**

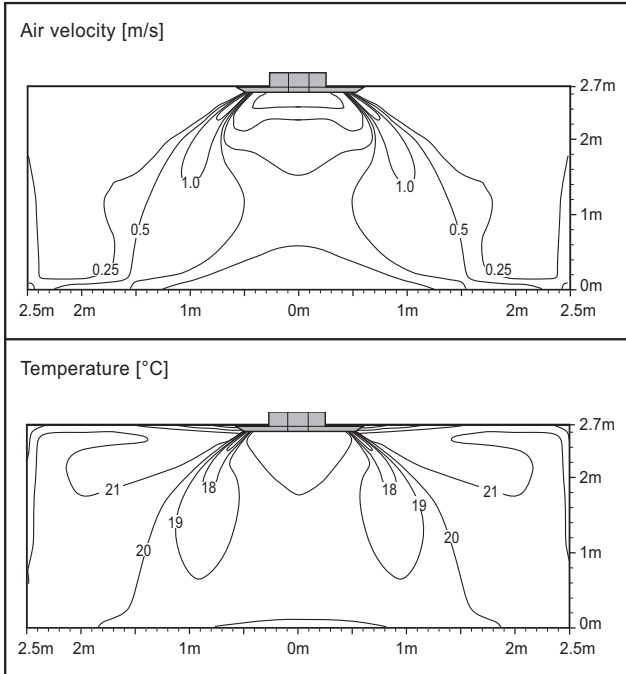
- These figures are accordance with normal certain condition and environment. (Airflow step is 'High', Air discharge angle is fixed as indicated angle.)
- Indoor airflow distribution under actual installation or operating conditions depends on ambient temperature, ceiling height, product installation direction / location, indoor / Heating load, and other obstacles, etc.

# 7. Air flow and temperature distributions (reference data)

## ZTNW12GRLA1 [CT12F NR0]

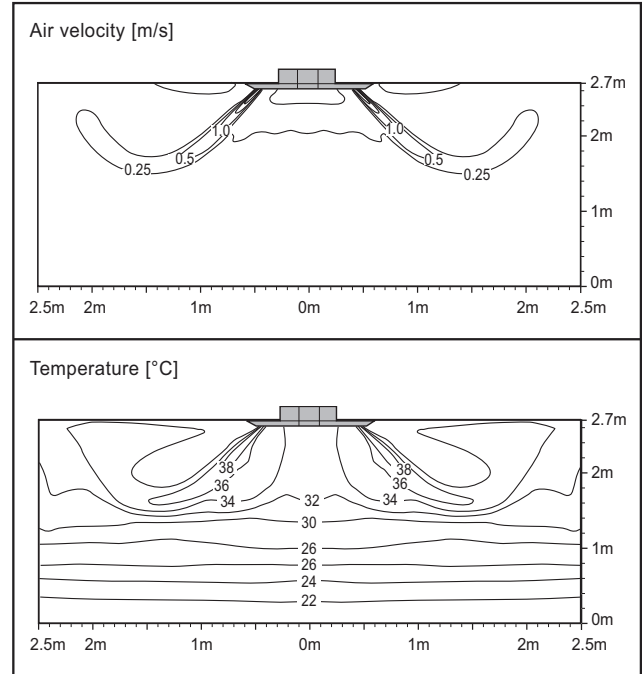
### Cooling

Discharge angle: 40°



### Heating

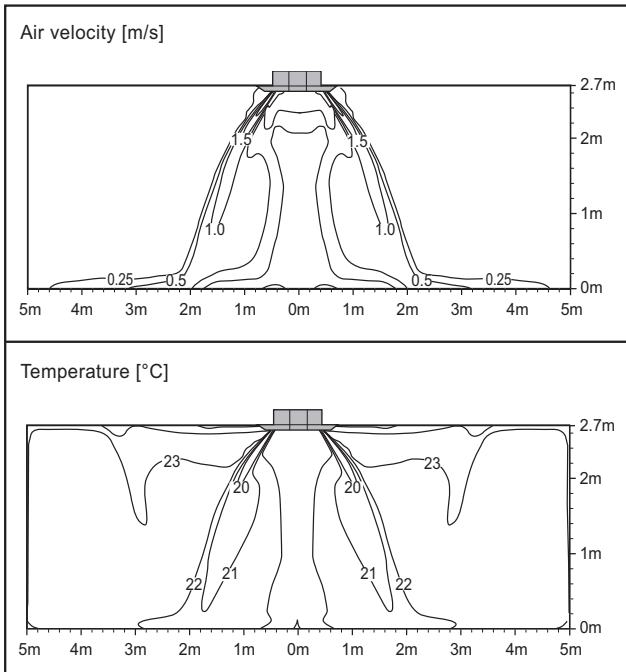
Discharge angle: 50°



## ZTNW18GQLA1 [CT18F NQ0]

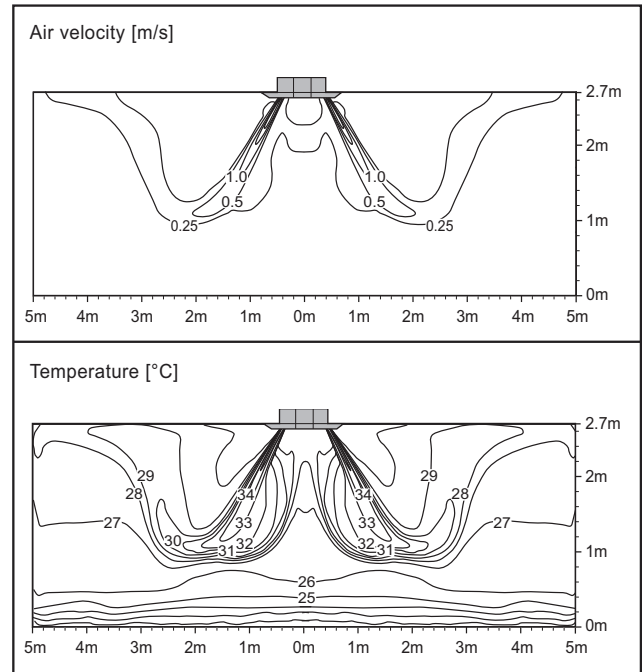
### Cooling

Discharge angle: 40°



### Heating

Discharge angle: 50°



**Note**

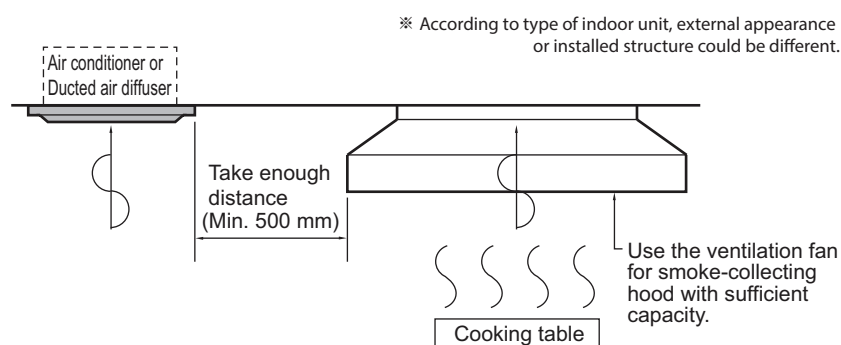
- These figures are accordance with normal certain condition and environment. (Airflow step is 'High', Air discharge angle is fixed as indicated angle.)
- Indoor airflow distribution under actual installation or operating conditions depends on ambient temperature, ceiling height, product installation direction / location, indoor / Heating load, and other obstacles, etc.

## 8. Installation

- Please read the instruction sheets completely before installing the product.
- When the power cord is damaged, replacement work shall be performed by authorized personnel only.
- Installation work must be performed in accordance with the national wiring standards.
- Teach the customer the operation and maintenance procedures, using the operation manual. (air filter cleaning, temperature control, etc.)

### 8.1 Selection of the best location

- The unit must be installed indoor area.
- Do not install the unit near the door.
- There should not be any obstacles to the air circulation or installation. Ensure the spaces from the wall, ceiling, or other obstacles.
- The place where the indoor unit can be connected with outdoor unit easily.
- The place where the unit is leveled.
- The place shall allow easy water drainage.
- The place where bear a load exceeding four times of the indoor unit weight.
- The mounting ceiling or wall should be solid enough to protect it from the vibration.
- The place where the unit is not affected by an electrical noise.
- The place where noise prevention is taken into consideration.
- The place where the maintenance space for product is sufficient. (The servicing inspection hole of the ceiling should be larger than the indoor unit.)
- The selection of the servicing inspection hole should be approved by the customer.
- There should not be any heat source or steam near the unit. Avoid the following installation location.
  1. Such places as restaurants and kitchen where considerable amount of oil steam and flour is generated. These may cause heat exchange efficiency reduction, or water drops, drain pump mal-function. In these cases, take the following actions;
    - Make sure that ventilation fan is enough to cover all noxious gases from this place.
    - Ensure enough distance from the cooking room to install the air conditioner in such a place where it may not suck oily steam.



2. Avoid installing air conditioner in such places where cooking oil or iron powder is generated.
3. Avoid places where inflammable gas is generated.
4. Avoid place where noxious gas is generated.
5. Avoid places near high frequency generators.

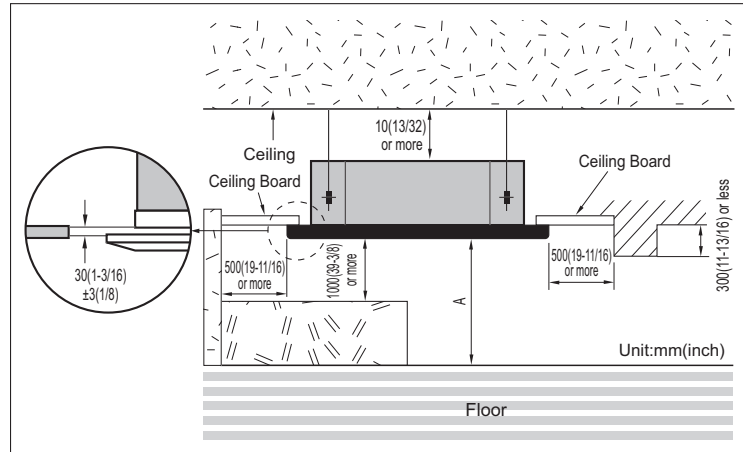
# 8. Installation

## ⚠ CAUTION

- If the temperature rise above 30°C or the humidity rise above RH 80%, the dew-protective kit should be equipped or use additional insulation to the indoor unit body.
  - "Dew Protective kit" is sold separately.
  - Use the glass wool material or polyethylene foam and it make sure to be thick of 10mm at least.

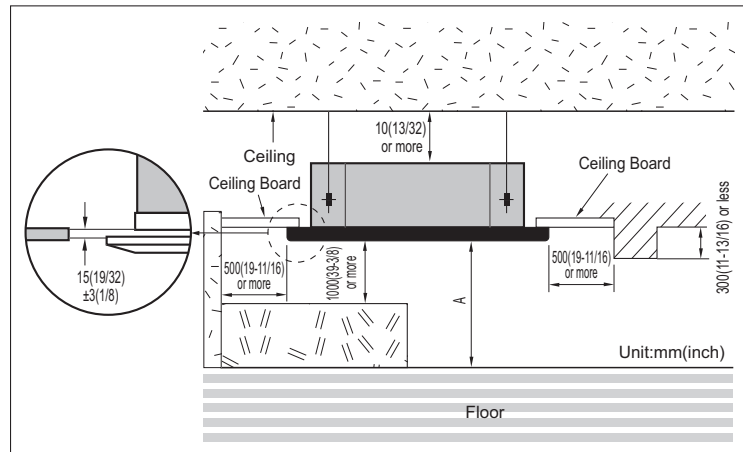
### TQ/TR Chassis

\* According to product type, model line up, sales region..etc, applicability of each chassis could be different.



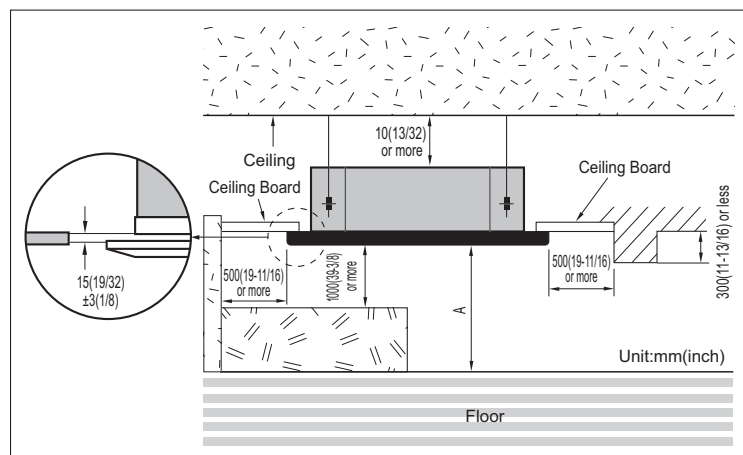
### TP/TP-B Chassis

\* According to product type, model line up, sales region..etc, applicability of each chassis could be different.



### TM/TM-A/TN Chassis

\* According to product type, model line up, sales region..etc, applicability of each chassis could be different.



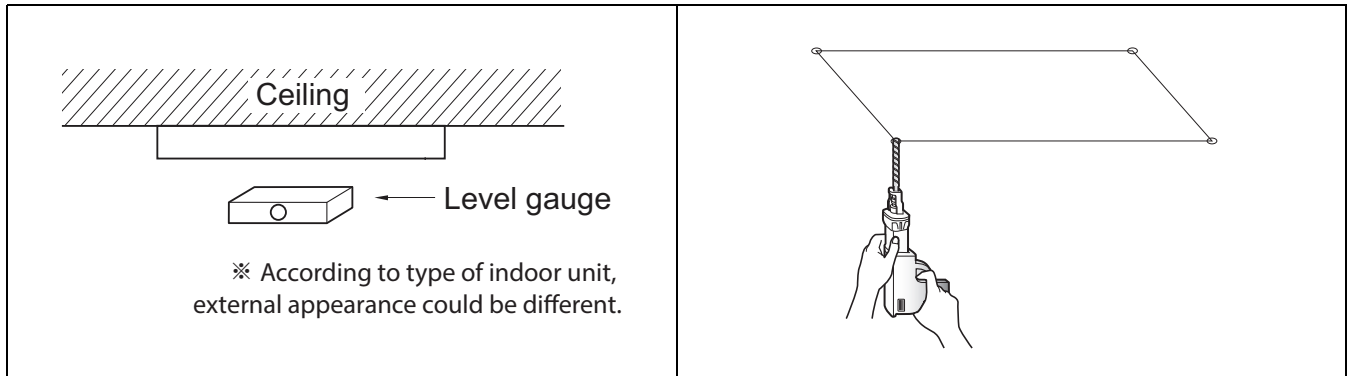
Model		A
4 Way	1.6~10.0 kW	2 000 < A ≤ 3 600
	10.0~14.5 kW	2 500 < A ≤ 4 200

## 8. Installation

### 8.2 Ceiling opening dimensions and hanging bolt location

#### ⚠ CAUTION

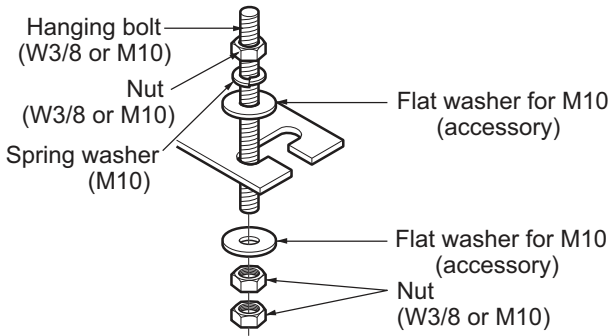
- During the installation, care should be taken not to damage electric wires.
- In case of using a drain pump, install the unit horizontally using a level gauge.



1. The dimensions of the paper model for installation are the same as those of the ceiling opening dimensions.
2. Select and mark the position for fixing bolts and piping hole.
3. Decide the position for fixing bolts slightly tilted to the drain direction after considering the direction of drain hose.
4. Drill the hole for anchor bolt on the wall or ceiling.
  - Insert the set anchor and washer onto the suspension bolts for locking the suspension bolts on the ceiling.
  - Mount the suspension bolts to the set anchor firmly.
  - Secure the installation plates onto the suspension bolts (adjust level roughly) using nuts, washers and spring washers.
5. In case of ducted type unit, apply a joint-canvas between the unit and duct to absorb unnecessary vibration.



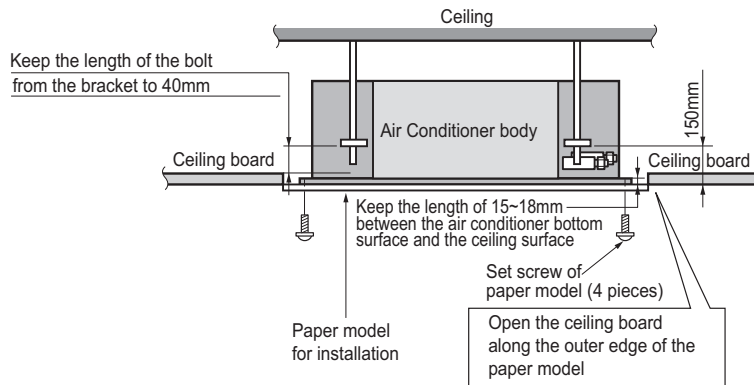
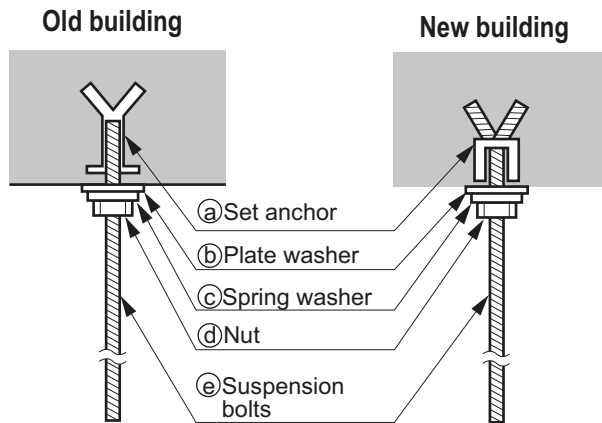
# 8. Installation



- The following parts are local purchasing.
  1. Hanging bolt - W 3/8 or M10
  2. Nut - W 3/8 or M10
  3. Spring washer - M10
  4. Plate washer - M10

**CAUTION**

- Tighten the nut and bolt to prevent the unit from falling.
- When mechanical connectors are reused indoors, sealing parts shall be renewed. (for R32)
- When flared joints are reused indoors, the flare part shall be re-fabricated. (for R32)



TQ/TR Chassis		TM/TM-A/TN/TP/TP-B Chassis
Panel Dimensions [Unit : mm]		
<b>700 x 700</b>	<b>620 x 620</b>	<b>950 x 950</b>

## 8. Installation

---

### 8.3 Connecting Cables between Indoor Unit and Outdoor Unit

#### 8.3.1 General instructions

- All field supplied parts and materials, electric works must conform to local codes. Use copper wire only.
- Follow the "**WIRING DIAGRAM**" attached to the unit body to wire the outdoor unit, indoor units and the remote controller.
- All wiring must be performed by an authorized electrician.
- A circuit breaker capable of shutting down the power supply to the entire system must be installed.

#### CAUTION

After the confirmation of the above conditions, prepare the wiring as follows:

- Never fail to have separate power specially for the air conditioner.
- Provide a circuit breaker switch between power source and the unit.
- Confirm the Specification of power source.
- Confirm that electrical capacity is sufficient.
- Be sure that the starting voltage is maintained at more than 90 percent of the rated voltage marked on the name plate.
- Confirm that the cable thickness is as specified in the power sources specification.  
(Particularly note the relation between cable length and thickness.)
- Do not install the leakage breaker in a place which is wet or moist.  
Water or moist may cause short circuit.
- The following troubles would be caused by voltage drop-down.
  - » Vibration of a magnetic switch, damage on the contact point there of, fuse breaking, disturbance to the normal function of a overload protection device.
  - » Proper starting power is not given to the compressor.

#### 8.3.2 Wiring connection

- Connect the wires to the terminals on the control board individually according to the outdoor unit connection.
- Ensure that the color of the wires of outdoor unit and the terminal No. are the same as those of indoor unit respectively.
- In case of the system with multiple indoor units, mark each indoor unit as unit A, unit B, etc and be sure the terminal board wiring to the outdoor unit and indoor units are properly matched. If wiring and piping between the outdoor unit and an indoor unit are mismatched, the system may cause a malfunction.

#### 8.3.3 Clamping of cables

1. Arrange 2 power cables on the control panel.
2. First, fasten the steel clamp with a screw to the inner boss of control panel.
3. For connecting of communication (transmission) cable, put the cable(or thinner cable) on the clamp and tighten it with a plastic clamp to the other boss of the control panel. In case that communication (transmission) cable is not needed to connect, fix the other side of the clamp with a screw strongly.

## 8. Installation

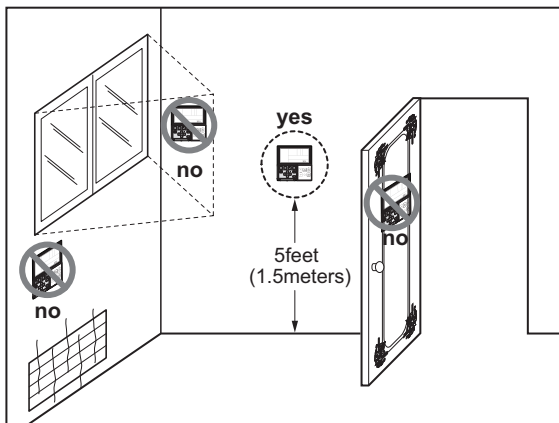
### ⚠ WARNING

- Make sure that the screws of the terminal are fixed tightly.
- The screw which fasten the wiring in the casing of electrical fittings are liable to come loose from vibrations to which the unit is subjected during the course of transportation. Check them and make sure that they are all tightly fastened. (If they are loose, it could give rise to burn-out of the wires.)
- Make sure to attach the sealing material or (field supplied) to hole of wiring to prevent the infiltration of foreign particle from outside. Otherwise a short-circuit may occur inside the electric parts box.
- When clamping the wires, be sure no pressure is applied to the wire connections by using the included clamping material to make appropriate clamps. Also, when wiring, make sure the cover on the electric parts box fits snugly by arranging the wires neatly and attaching the electric parts box cover firmly. When attaching the electric parts box cover, make sure no wires get caught in the edges. Pass wiring through the wiring through holes to prevent damage to them.
- Make sure the remote controller wiring, the wiring between the units, and other electrical wiring do not pass through the same locations outside of the unit, separating them properly, otherwise electrical noise (external static) could cause product malfunction.

### 8.3.4 Wired Remote Controller Installation (Optional)

Since the room temperature sensor is in the remote controller, the remote controller box should be installed in a place away from direct sunlight, high humidity and direct supply of cold air to maintain proper space temperature.

Install the remote controller about 5ft(1.5m) above the floor in an area with good air circulation at an average temperature.



#### • Do not install the remote controller where it can be affected by :

- Drafts, or dead spots behind doors and in corners.
- Hot or cold air from ducts.
- Radiant heat from sun or appliances.
- Concealed pipes and chimneys.
- Uncontrolled areas such as an outside wall behind the remote controller.
- This remote controller is equipped with a seven segment LED. display. For proper display of the remote controller LED's, the remote controller should be installed properly. (The standard height is 1.2~1.5 m from floor level.)

## 8. Installation

### 8.4 Installation of Decoration Panel

- The decoration panel has its installation direction.
- Before installing the decoration panel, always remove the paper template.

#### **!** CAUTION

- Install certainly the decoration panel. Cool air leakage causes sweating or falling of water-drops.

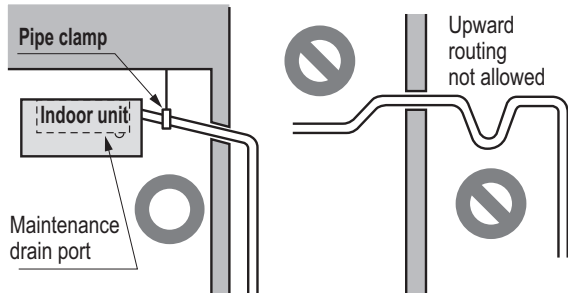


## 8. Installation

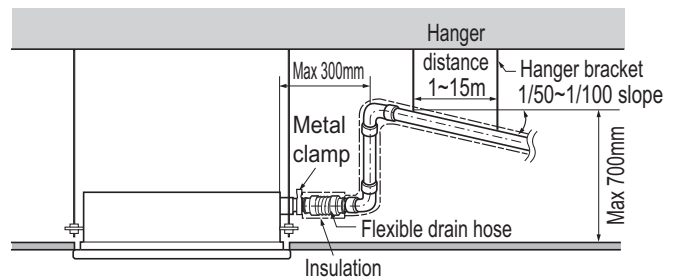
### 8.5 Indoor Unit Drain Piping

#### 8.5.1 Drain piping of indoor unit with drain pump

- Drain piping must have down-slope (1/50 to 1/100). Be sure not to provide up-and-down slope to prevent reversal flow.
- During drain piping connection, be careful not to exert force on the drain port on the indoor unit.
- The outside diameter of the drain connection on the indoor unit is 32 mm (1-1/4 inch).
  - Piping material: Use the Polyvinyl chloride pipe, 25 mm (1 inch) pipe fittings.

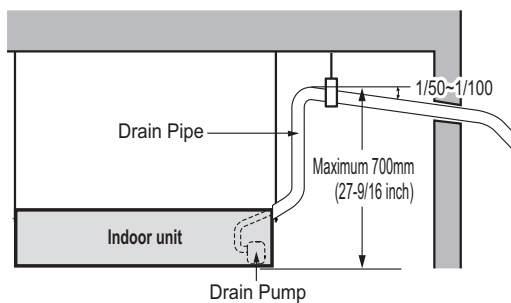


※ According to type of indoor unit, external appearance could be different.

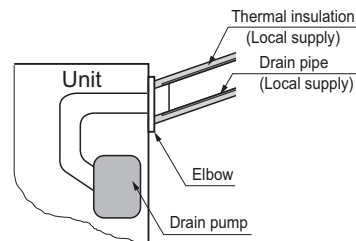


※ According to type of indoor unit, external appearance could be different.

- Possible drain head height is upto 700 mm (27-6/19 inch). So the drain head should be installed below 700 mm (27-6/19 inch).
- Be sure to install heat insulation on the drain piping.
  - Heat insulation material: Polyethylene foam with thickness more than 8 mm (5/16 inch).



※ According to type of indoor unit, external appearance could be different.



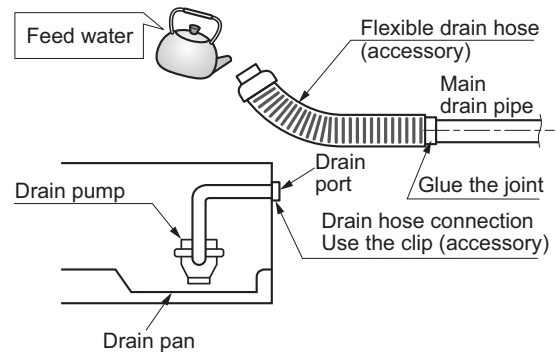
## 8. Installation

### 8.5.2 Method of Drainage test

#### ◆ Drainage test of indoor unit with drain pump

Use the following procedure to test the drain pump operation.

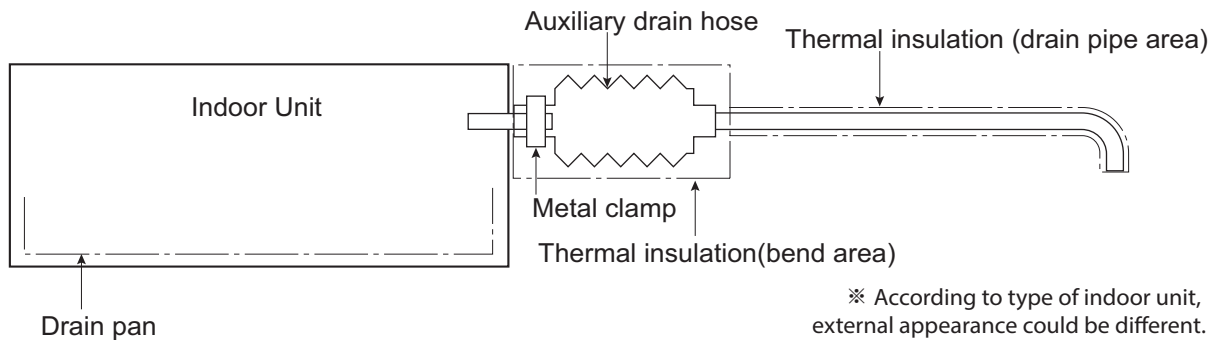
1. Connect the main drain pipe to the exterior and leave it provisionally until the test comes to an end.
2. Feed water to the flexible drain hose and check the piping for leakage.
3. Be sure to check the drain pump for normal operating and noise when electrical wiring is complete.
4. When the test is complete, connect the flexible drain hose to the drain port on the indoor unit.



※ According to type of indoor unit, external appearance could be different.

### 8.5.3 Connection of an auxiliary(flexible) drain hose

- To connect drain pipe to the drain socket on the indoor unit, an auxiliary flexible drain hose should be used. auxiliary flexible drain hose allows that the drain pipe can be connected to the socket without breaking by excessive strain.



※ According to type of indoor unit, external appearance could be different.

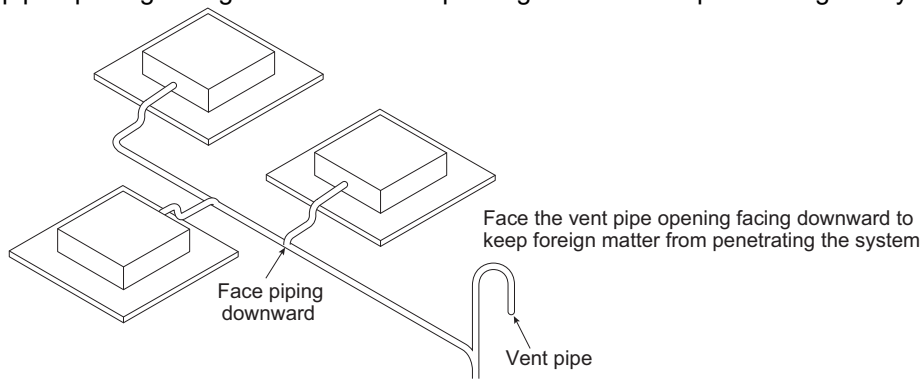
#### ⚠ CAUTION

- The supplied flexible drain hose should not be curved, neither screwed. The curved or screwed hose may cause a leakage of water.
- It is need to insulate the auxiliary drain hose with thermal insulation material.

## 8. Installation

### 8.5.4 Ground drain piping

- It is standard work practice to make connections to the main pipe from above. The pipe down from the combination should be as large as possible.
- The pipe work should be kept as short as possible and the number of indoor units per group kept to a minimum.
- Face the vent pipe opening facing downward to keep foreign matter from penetrating the system.



# MULTI/SINGLE

Indoor unit

## **Ceiling Mounted cassette (Dual Vane 4-Way)**

- 1.List of Functions**
- 2.Specifications**
- 3.Dimensions**
- 4.Piping Diagrams**
- 5.Wiring Diagrams**
- 6.Air flow and temperature distribution**
- 7.Sound Levels**
- 8.Installation**



# 1. List of functions

## ◆ List of function

Category	Functions	ZTNW24GBLA1 [CT24F NB0] ZTNW30GBLA1 [UT30F NB0] ZTNW36GALA1 [UT36F NA0] ZTNW42GALA1 [UT42F NA0] ZTNW48GALA1 [UT48F NA0] ZTNW60GALA1 [UT60F NA0]
Air Flow	Air Supply Outlet	4
	Airflow Direction Control (left & right)	X
	Airflow Direction Control (up & down)	Auto
	Auto Swing (left & right)	X
	Auto Swing (up & down)	O
	Airflow Steps (fan/cool/heat)	4 / 5 / 4
	Fan Speed Auto*	X
	Power Cool/Heat	O / O
	Swirl Wind*	O
	Refresh Mode**	O
	Smart Mode**	O
	Indirect Wind*	O
	Direct Wind*	O
Dry Operation	O	
Air Purification	Air Purify	Accessory
	Ionizer	X
	UV-C	X
	Pre-Filter	O
	PM1.0 Filter	X
Reliability	Hot Start	O
	Self Diagnosis	O
Convenience	Auto Mode	O
	Auto Dry Operation	O
	Auto Restart	O
	Child Lock*	O
	Forced Operation	O
	Group Control*	O
	Sleep Timer	O
	Turn On/Off Reservation	O
	Schedule*	O
	Two Thermistor Control*	O
External On/Off	O	
Installation	Drain Pump	O
	E.S.P. Control*	X
	High Ceiling Operation*	O
Special Functions	Wi-Fi	Accessory
	Auto Elevation Grille	X
	Human Detection Function**	Accessory
	Floor Detection Function**	Accessory

### Note

- O : Applied, X : Not Applied, - : Unconfirmed or irrelevant  
Embedded : A kit is provided by default for using this function when the product is manufactured.  
Accessory : Ordered and purchased separately the accessory package referring to the model name provided and install at field. Accessory line-ups varies by region, so check your local catalogue or local sales material.
- Some functions can be limited by remote controller.
- In case of cassette type indoor units, Air Purification Kit and Auto Elevation Grille functions are not applicable at the same time.
- 'Auto Mode' varies depending on the outdoor unit type.  
- Auto Change Over(Single Heat Pump Outdoor Unit)  
- Auto Mode Select(Multi Heat Pump Outdoor Unit)  
- Auto Intensity Control(Cooling Only Outdoor Unit)
- \* : These functions need to connect the wired remote controller.
- \*\* : This functions need to connect to the Standard III wired remote controller.

# 1. List of functions

## ◆ Accessory Compatibility List

Category		Product	Remark	ZTNW24GBLA1 [CT24F NB0] ZTNW30GBLA1 [UT30F NB0] ZTNW36GALA1 [UT36F NAO] ZTNW42GALA1 [UT42F NAO] ZTNW48GALA1 [UT48F NAO] ZTNW60GALA1 [UT60F NAO]
Wireless Remote Controller		PQWRHQ0FDB	Heat Pump	O (Embedded)
		PWLSSB21H	Heat Pump	O
Wired Remote Controller	Simple	PQRCVCL0Q(W)	Simple	O
		PQRCHCA0Q(W)	for Hotel	O
	Standard	PREMTB001	Standard II (White)	O
		PREMTBB01	Standard II (Black)	O
		PREMTB100	Standard III (White)	O
		PREMTBB10	Standard III (Black)	O
	Premium	PREMTA000(A/B)	Premium	O
Dry contact	Simple Contact	PDRYCB000	Simple Dry Contact	O
	Communication type	PDRYCB400	2 Points Dry Contact (For Setback)	O
		PDRYCB300	For 3rd Party Thermostat	O
		PDRYCB320	For 3rd Party Thermostat (Analog Input)	O
		PDRYCB500	For Modbus	O
Gateway	IDU PI485	PHNFP14A0	Without case	X
		PSNFP14A0	With case	X
ETC	Remote temperature sensor	PQRSTA0	-	O
	Zone controller	ABZCA	-	X
	CO <sub>2</sub> Sensor	PES-C0RV0	For ERV, ERV DX Indoor units	X
	Group control wire	PZCWRCG3	0.25m	O
	2-Remo Control Wire	PZCWRC2	0.25m	O
	Extension Wire	PZCWRC1	10m	O
	Wi-Fi Controller*	PWFMDD200	-	O
Human detecting sensor	PTVSA00	-	O	

**Note**

1. O: Possible, X: Impossible, -: Not applicable, Embedded: Included with product.
2. \*: Some advanced functions controlled by individual controller cannot be operated.
3. If there is a difference in development time between the product and the remote controller, some functions cannot be operated.
4. Selecting a wireless remote controller in case of ducted type indoor units requires either a connection to the wired remote controller (Standard II) or an IR receiver accessory to be connected to the duct in order to receive the signal.
5. If you need more detail, please refer to the **BECON** PDB or the manual of product. (<http://partner.lge.com/global> : Home> Doc.Library> Product > Control(BECON))

## ◆ Panel(Accessory)

Model Name			PT-AAGW0	PT-AFGW0
Description		-	Standard Panel	Premium Panel
Exterior Color		-	White	White
RAL Code		-	RAL 9003	RAL 9003
Dual Vane		-	O	O
Dimensions (W x H x D)	Net	mm	950 x 35 x 950	950 x 35 x 950
	Shipping	mm	1,006 x 102 x 1,006	1,006 x 117 x 1,006
Weight	Net	kg	7.1	7.5
	Shipping	kg	9.3	9.4
Function	PM1.0 Sensor	-	X	O
Accessory	Air Purification Kit	-	X	PTAHMP0
	Floor Detection Sensor*	-	PTFSMA0	PTFSMA0
	Human Detection Sensor*	-	PTVSA00	PTVSA00

**Note**

1. Accessory : Ordered and purchased separately the accessory package referring to the model name provided and install at field.
2. \*: This functions need to connect to the RS3 wired remote controller(Standard III).

## 2. Specifications

Model Name			Unit	ZTNW24GBLA1 [CT24F NB0]	ZTNW30GBLA1 [UT30F NB0]
Power Supply			V, Ø, Hz	220-240, 1, 50	220-240, 1, 50
				220, 1, 60	220, 1, 60
Capacity(Nominal)	Cooling		kW	6.8	8.0
	Heating		kW	7.5	8.9
Power Input		H / M / L	W	36 / 26 / 21	40 / 33 / 26
Running Current		H / M / L	A	0.50 / 0.46 / 0.44	0.52 / 0.49 / 0.46
		Max.	A	0.60	0.60
Exterior	Color		-	Steel Gray	Steel Gray
Dimensions		W x H x D	mm	840 × 204 × 840	840 × 204 × 840
Weight	Net		kg	21.1	21.1
	Shipping		kg	26.5	26.5
Heat Exchanger	Rows x Columns x FPI			(3 x 8 x 21) x 1	(3 x 8 x 21) x 1
	Face Area		m <sup>2</sup>	0.33	0.33
Fan Type				3D Turbo Fan	3D Turbo Fan
Air Flow Rate		H / M / L	m <sup>3</sup> /min	17.0 / 15.0 / 13.0	19.0 / 17.0 / 15.5
Fan Motor	Type			BLDC	BLDC
	Drive			Internal	Internal
	Output		W x No.	50.25 x 1	50.25 x 1
Safety Device				Fuse / Thermal Protector for Fan Motor	
Piping Connections	Liquid Side		mm (inch)	Ø 9.52 (3/8)	Ø 9.52 (3/8)
	Gas Side		mm (inch)	Ø 15.88 (5/8)	Ø 15.88 (5/8)
	Drain Pipe	O.D. / I.D.	mm	Ø 32.0 / 25.0	Ø 32.0 / 25.0
Sound Pressure Level	Cooling	H / M / L	dB(A)	38 / 36 / 34	40.0 / 37.0 / 35.0
	Heating	H / M / L	dB(A)	38 / 36 / 34	40.0 / 37.0 / 35.0
Sound Power Level	Cooling	Rated	dB(A)	53	57
	Heating	Rated	dB(A)	-	-
Power and Communication Cable (included Earth)			No. x mm <sup>2</sup>	4C x 0.75	4C x 0.75

### Note

- Due to our policy of innovation some specifications may be changed without notification.
- Wiring cable size must comply with the applicable local and national code. And "Electric characteristics" chapter should be considered for electrical work and design. Especially the power cable and circuit breaker should be selected in accordance with that.
- Sound Level Values are measured at Noise Measuring chamber accordance with standard. Therefore, these values depend on the ambient conditions and values are normally higher in actual operation(Sound Pressure : LG Internal standard, Sound Power : EN 12102 (ISO 3741).
- Capacities are net capacities and based on the following conditions. Refer to the Outdoor Unit Specifications for calculating the real capacity.
  - Cooling : Indoor Ambient Temp. 27°CDB / 19°CWB, Outdoor Ambient Temp. 35°CDB / 24°CWB
  - Heating : Indoor Ambient Temp. 20°CDB / 15°CWB, Outdoor Ambient Temp. 7°CDB / 6°CWB
  - Interconnected Pipe is standard length and difference of Elevation (Outdoor ~ Indoor Unit) is 0m.

## 2. Specifications

Model Name			Unit	ZTNW36GALA1 [UT36F NA0]	ZTNW42GALA1 [UT42F NA0]
Power Supply			V, Ø, Hz	220-240, 1, 50	220-240, 1, 50
				220, 1, 60	220, 1, 60
Capacity(Nominal)	Cooling		kW	9.5	12.1
	Heating		kW	10.8	13.5
Power Input		H / M / L	W	60 / 50 / 45	60 / 50 / 45
Running Current		H / M / L	A	0.62 / 0.58 / 0.55	0.62 / 0.58 / 0.55
		Max.	A	1.00	1.00
Exterior	Color		-	Steel Gray	Steel Gray
Dimensions		W x H x D	mm	840 × 288 × 840	840 × 288 × 840
Weight	Net		kg	25.3	25.3
	Shipping		kg	30.7	30.7
Heat Exchanger	Rows x Columns x FPI			3 x 12 x 21	3 x 12 x 21
	Face Area		m <sup>2</sup>	0.49	0.49
Fan Type				3D Turbo Fan	3D Turbo Fan
Air Flow Rate		H / M / L	m <sup>3</sup> /min	27.5 / 25.0 / 22.5	27.5 / 25.0 / 22.5
Fan Motor	Type			BLDC	BLDC
	Drive			Internal	Internal
	Output		W x No.	136 x 1	136 x 1
Safety Device				Fuse / Thermal Protector for Fan Motor	
Piping Connections	Liquid Side		mm (inch)	Ø 9.52 (3/8)	Ø 9.52 (3/8)
	Gas Side		mm (inch)	Ø 15.88 (5/8)	Ø 15.88 (5/8)
	Drain Pipe	O.D. / I.D.	mm	Ø 32 / 25	Ø 32 / 25
Sound Pressure Level	Cooling	H / M / L	dB(A)	44 / 42 / 41	44 / 42 / 41
	Heating	H / M / L	dB(A)	44 / 42 / 41	44 / 42 / 41
Sound Power Level	Cooling	Rated	dB(A)	61	61
	Heating	Rated	dB(A)	-	61
Power and Communication Cable (included Earth)			No. x mm <sup>2</sup>	4C x 0.75	4C x 0.75

### Note

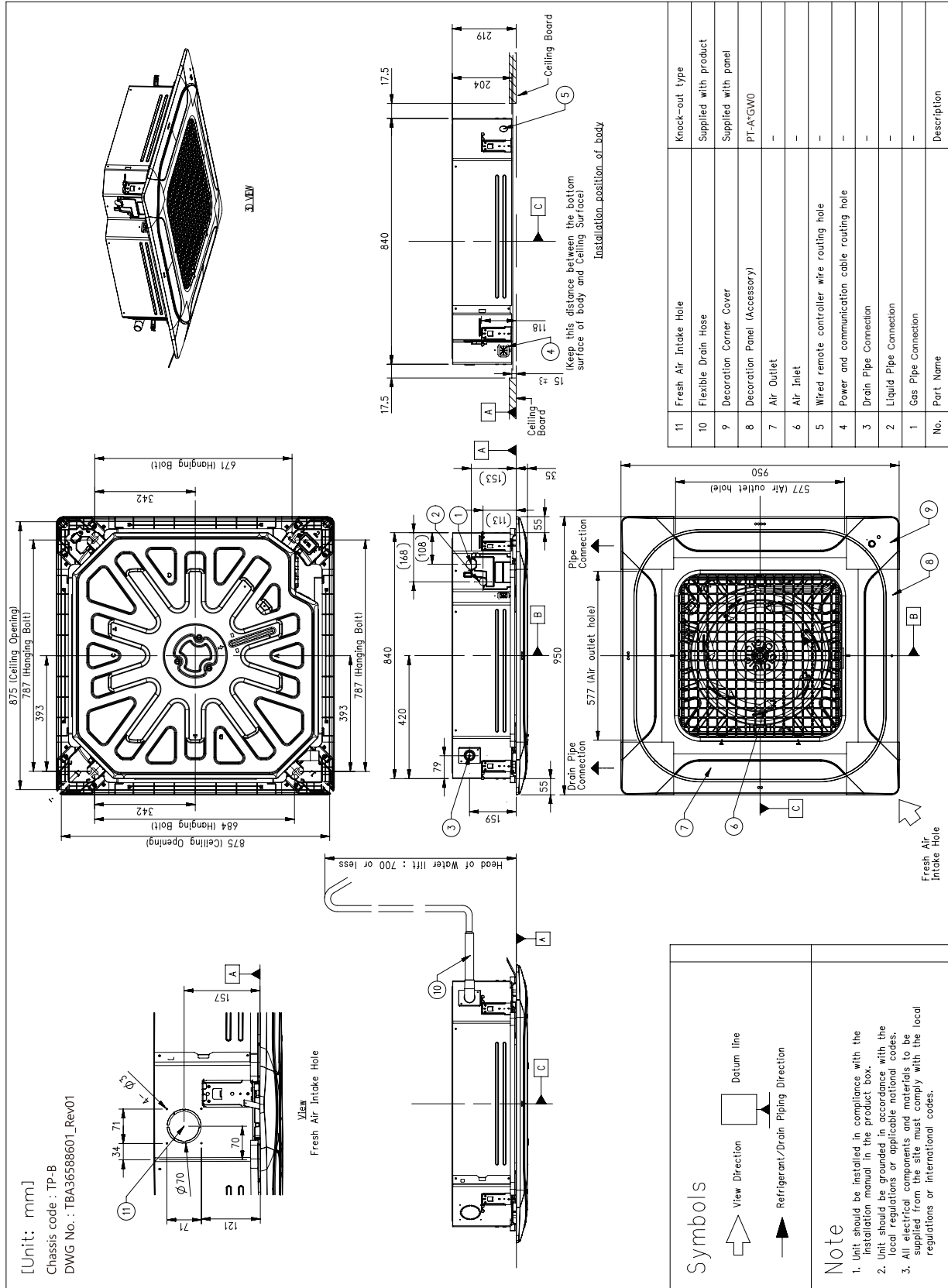
- Due to our policy of innovation some specifications may be changed without notification.
- Wiring cable size must comply with the applicable local and national code. And "Electric characteristics" chapter should be considered for electrical work and design. Especially the power cable and circuit breaker should be selected in accordance with that.
- Sound Level Values are measured at Noise Measuring chamber accordance with standard. Therefore, these values depend on the ambient conditions and values are normally higher in actual operation(Sound Pressure : LG Internal standard, Sound Power : EN 12102 (ISO 3741).
- Capacities are net capacities and based on the following conditions. Refer to the Outdoor Unit Specifications for calculating the real capacity.
  - Cooling : Indoor Ambient Temp. 27°CDB / 19°CWB, Outdoor Ambient Temp. 35°CDB / 24°CWB
  - Heating : Indoor Ambient Temp. 20°CDB / 15°CWB, Outdoor Ambient Temp. 7°CDB / 6°CWB
  - Interconnected Pipe is standard length and difference of Elevation (Outdoor ~ Indoor Unit) is 0m.

## 2. Specifications

Model Name			Unit	ZTNW48GALA1 [UT48F NA0]	ZTNW60GALA1 [UT60F NA0]
Power Supply			V, Ø, Hz	220-240, 1, 50	220-240, 1, 50
				220, 1, 60	220, 1, 60
Capacity(Nominal)	Cooling		kW	13.4	14.6
	Heating		kW	15.5	16.9
Power Input		H / M / L	W	80 / 60 / 50	80 / 60 / 50
Running Current		H / M / L	A	0.71 / 0.62 / 0.58	0.71 / 0.62 / 0.58
		Max.	A	1.00	1.00
Exterior	Color		-	Steel Gray	Steel Gray
Dimensions		W x H x D	mm	840 × 288 × 840	840 × 288 × 840
Weight	Net		kg	25.3	25.3
	Shipping		kg	30.7	30.7
Heat Exchanger	Rows x Columns x FPI			3 x 12 x 21	3 x 12 x 21
	Face Area		m <sup>2</sup>	0.49	0.49
Fan Type				3D Turbo Fan	3D Turbo Fan
Air Flow Rate		H / M / L	m <sup>3</sup> /min	30.0 / 27.5 / 25.0	30.0 / 27.5 / 25.0
Fan Motor	Type			BLDC	BLDC
	Drive			Internal	Internal
	Output		W x No.	136 x 1	136 x 1
Safety Device				Fuse / Thermal Protector for Fan Motor	
Piping Connections	Liquid Side		mm (inch)	Ø 9.52 (3/8)	Ø 9.52 (3/8)
	Gas Side		mm (inch)	Ø 15.88 (5/8)	Ø 15.88 (5/8)
	Drain Pipe	O.D. / I.D.	mm	Ø 32 / 25	Ø 32 / 25
Sound Pressure Level	Cooling	H / M / L	dB(A)	46 / 44 / 42	46 / 44 / 42
	Heating	H / M / L	dB(A)	46 / 44 / 42	46 / 44 / 42
Sound Power Level	Cooling	Rated	dB(A)	62	62
	Heating	Rated	dB(A)	63	63
Power and Communication Cable (included Earth)			No. x mm <sup>2</sup>	4C x 0.75	4C x 0.75
<b>Note</b>					
1. Due to our policy of innovation some specifications may be changed without notification.					
2. Wiring cable size must comply with the applicable local and national code. And "Electric characteristics" chapter should be considered for electrical work and design. Especially the power cable and circuit breaker should be selected in accordance with that.					
3. Sound Level Values are measured at Noise Measuring chamber accordance with standard. Therefore, these values depend on the ambient conditions and values are normally higher in actual operation(Sound Pressure : LG Internal standard, Sound Power : EN 12102 (ISO 3741).					
4. Capacities are net capacities and based on the following conditions. Refer to the Outdoor Unit Specifications for calculating the real capacity.					
<ul style="list-style-type: none"> <li>• Cooling : Indoor Ambient Temp. 27°CDB / 19°CWB, Outdoor Ambient Temp. 35°CDB / 24°CWB</li> <li>• Heating : Indoor Ambient Temp. 20°CDB / 15°CWB, Outdoor Ambient Temp. 7°CDB / 6°CWB</li> <li>• Interconnected Pipe is standard length and difference of Elevation (Outdoor ~ Indoor Unit) is 0m.</li> </ul>					

### 3. Dimensions

#### ZTNW24GBLA1 [CT24F NB0] / ZTNW30GBLA1 [UT30F NB0]



### 3. Dimensions

**■ ZTNW36GALA1 [UT36F NA0] / ZTNW42GALA1 [UT42F NA0] / ZTNW48GALA1 [UT48F NA0] / ZTNW60GALA1 [UT60F NA0]**

[Unit: mm]  
Chassis code : TM-A  
DWG No. : TBA36548001\_Rev01

**3D View**

**Top View**  
 875 (Ceiling Opening)  
 787 (Hanging Bolt)  
 393  
 671 (Hanging Bolt)  
 342  
 684 (Hanging Bolt)  
 342  
 875 (Ceiling Opening)

**Side View**  
 840  
 17.5  
 288  
 17.5  
 5  
 C  
 Ceiling Board

**Detail View: Fresh Air Intake Hole**  
 34  
 71  
 71  
 158  
 70  
 194  
 4  
 Ø70  
 Ø3  
 A

**Detail View: Installation Position**  
 840  
 420  
 78  
 239  
 55  
 167  
 108  
 124  
 164  
 55  
 35  
 A  
 B  
 C  
 Ceiling Board

**Detail View: Fresh Air Intake Hole**  
 950 (Air Outlet Hole)  
 590 (Air Outlet Hole)  
 950  
 7  
 6  
 C  
 9  
 8  
 B  
 Fresh Air Intake Hole

**Installation position of body**  
 Note: Please, this distance between the bottom surface of body and Ceiling Surface

**Head of Water lift : 700 or less**

**View**  
 10  
 11  
 A

No.	Part Name	Description
11	Fresh Air Intake Hole	Knock-out type
10	Flexible Drain Hose	Supplied with product
9	Decoration Corner Cover	Supplied with panel
8	Decoration Panel (Accessory)	PT-A/GWO
7	Air Outlet	-
6	Air Inlet	-
5	Wired remote controller wire routing hole	-
4	Power and communication cable routing hole	-
3	Drain Pipe Connection	-
2	Liquid Pipe Connection	-
1	Gas Pipe Connection	-

**Symbols**

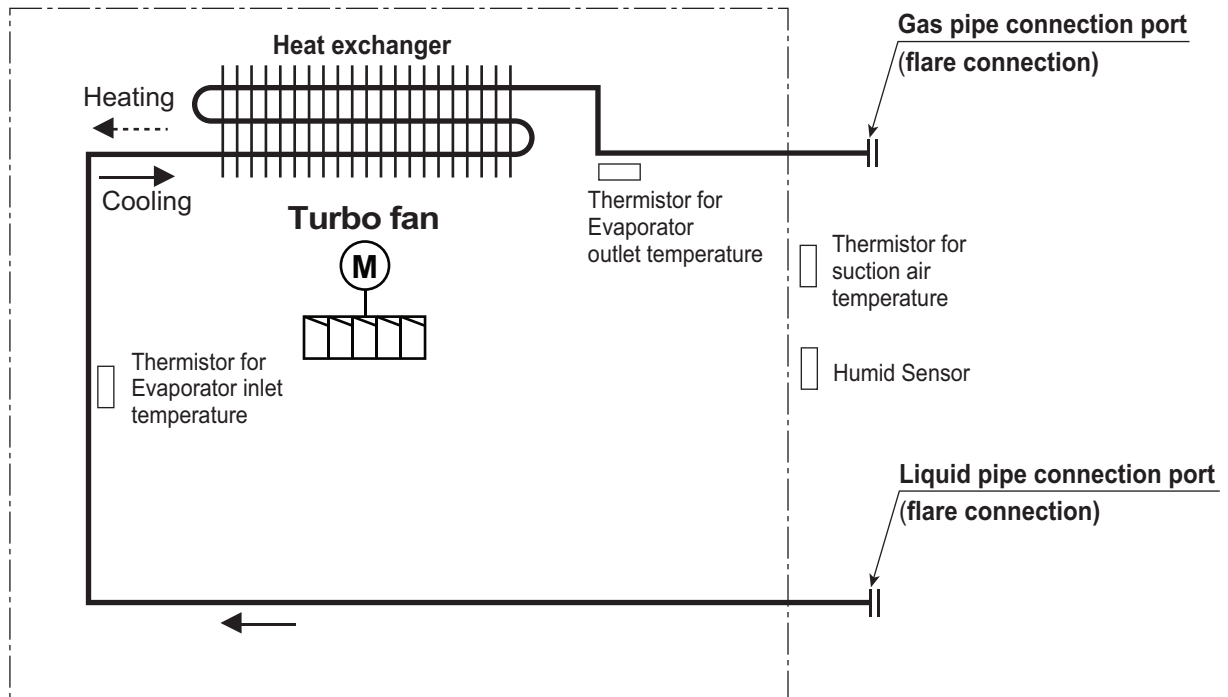
- View Direction
- Datum line
- Refrigerant/Drain Piping Direction

**Note**

- Unit should be installed in compliance with the installation manual in the Product Box.
- Unit should be grounded in accordance with the local regulations or applicable national codes.
- All electrical components and materials to be supplied from the site must comply with the local regulations or international codes.

## 4. Piping Diagrams

- ZTNW24GBLA1 [CT24F NB0] / ZTNW30GBLA1 [UT30F NB0]  
 / ZTNW36GALA1 [UT36F NA0] / ZTNW42GALA1 [UT42F NA0]  
 / ZTNW48GALA1 [UT48F NA0] / ZTNW60GALA1 [UT60F NA0]

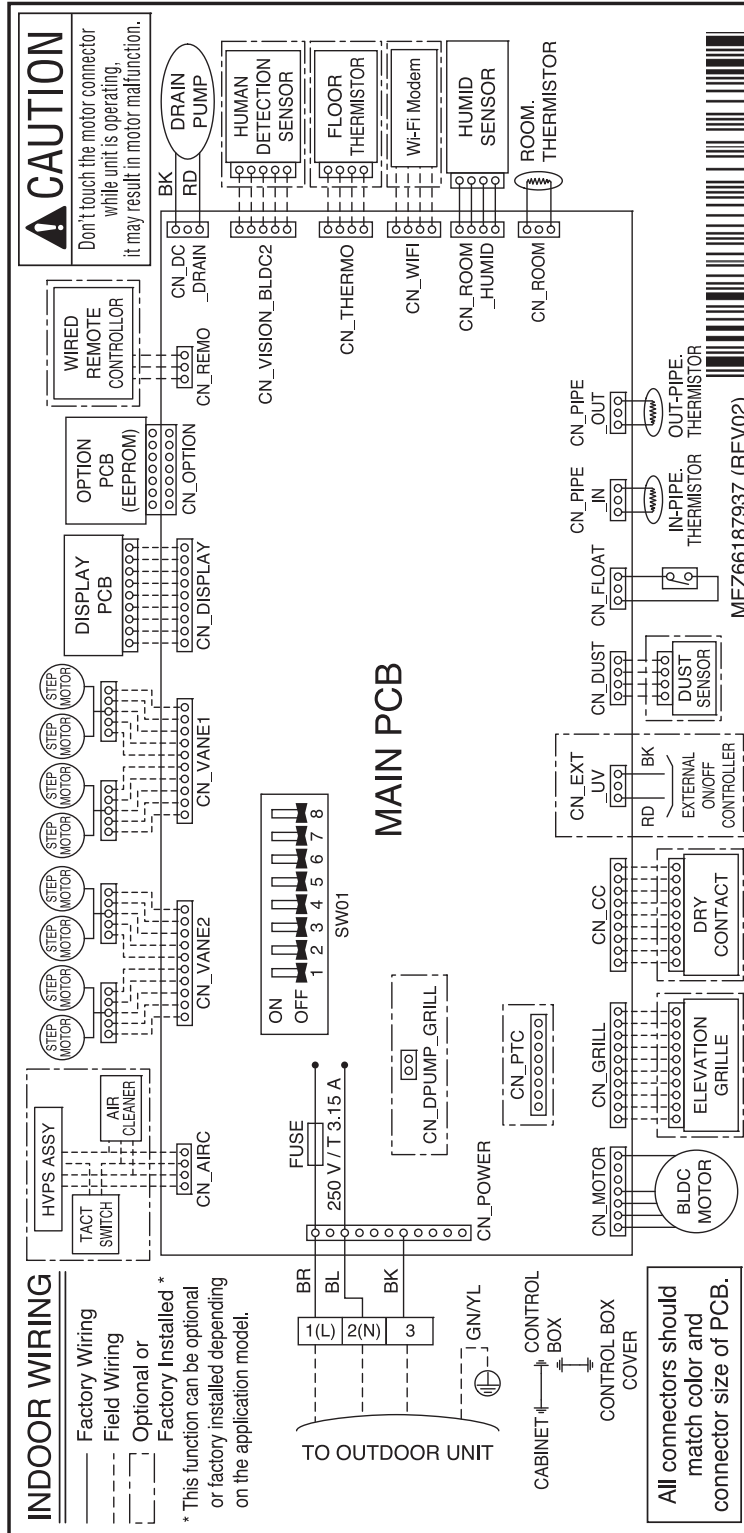


Description	PCB Connector
Thermistor for suction air temperature	CN_ROOM
Thermistor for evaporator inlet temperature	CN_PIPE_IN
Thermistor for evaporator outlet temperature	CN_PIPE_OUT
Humid Sensor	CN_ROOM_HUMID



# 5. Wiring Diagrams

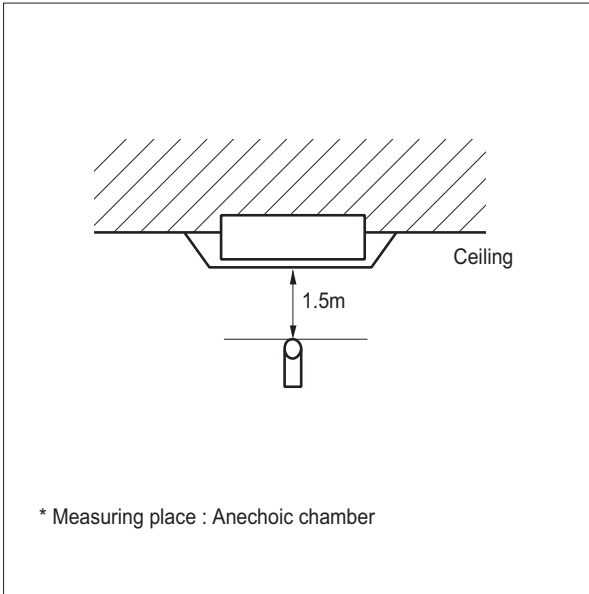
- ZTNW24GBLA1 [CT24F NB0] / ZTNW30GBLA1 [UT30F NB0]
- ZTNW36GALA1 [UT36F NA0] / ZTNW42GALA1 [UT42F NA0]
- ZTNW48GALA1 [UT48F NA0] / ZTNW60GALA1 [UT60F NA0]



# 6. Sound Levels

## 6.1 Sound Pressure Level

### Overall

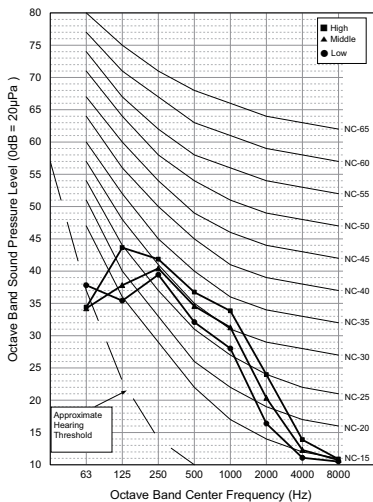


**Note**

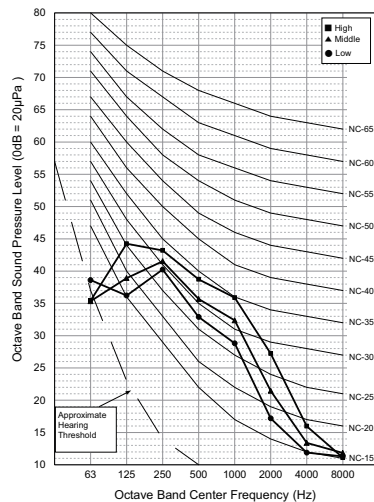
- 1.Sound measured at some distance away from the center of the unit.
- 2.Data is valid at free field condition.
- 3.Reference acoustic pressure 0dB = 20μPa.
- 4.Data is valid at nominal operation condition.  
Refer to the Model Specifications for nominal conditions(Power source and Ambient temperature, etc)
- 5.Sound levels can be increased in accordance with installation and operating conditions. (Static pressure mode, used air guide, Room target temperature setting, etc)
- 6.Sound level will vary depending on a range of factors such as the construction(acoustic absorption coefficient) of particular room in which the equipment is installed.
- 7.Sound pressure level is measured on the rated condition in the anechoic rooms. (LG Internal Standard)  
Therefore, these values can be increased owing to ambient conditions during operation.

Model	50Hz, 220-240V		
	Sound pressure Levels [dB(A)]		
	H	M	L
ZTNW24GBLA1 [CT24F NB0]	38	36	34
ZTNW30GBLA1 [UT30F NB0]	40	37	35
ZTNW36GALA1 [UT36F NAO] ZTNW42GALA1 [UT42F NAO]	44	42	41
ZTNW48GALA1 [UT48F NAO] ZTNW60GALA1 [UT60F NAO]	46	44	42

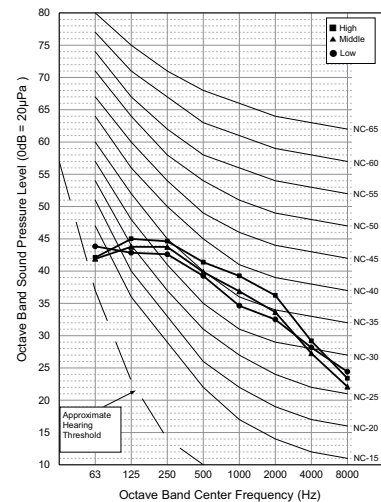
ZTNW24GBLA1 [CT24F NB0]



ZTNW30GBLA1 [UT30F NB0]

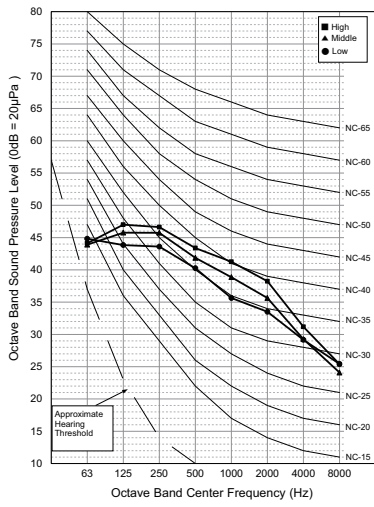


ZTNW36GALA1 [UT36F NAO]  
ZTNW42GALA1 [UT42F NAO]



# 6. Sound Levels

ZTNW48GALA1 [UT48F NA0]  
ZTNW60GALA1 [UT60F NA0]



## 6. Sound Levels

### 6.2 Sound Power Level

#### Note

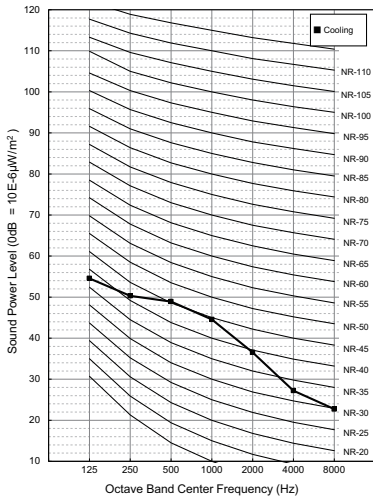
1. Data is valid at diffuse field condition.
2. Data is valid at nominal operation condition.  
Refer to the Model Specifications for nominal conditions(Power source and Ambient temperature, etc)
3. Sound level can be increased in static pressure mode or used air guide.
4. Sound level will vary depending on a range of factors such as the construction (acoustic absorption coefficient).
5. Reference acoustic intensity 0dB =  $10E-6\mu W/m^2$
6. Sound power level is measured on the rated condition in the reverberation rooms by ISO 3741 standard.  
Therefore, these values can be increased owing to ambient conditions during operation.

Model	Sound power level [dB(A)]	
	Cooling	Heating
ZTNW24GBLA1 [CT24F NB0]	53	-
ZTNW30GBLA1 [UT30F NB0]	57	-
ZTNW36GALA1 [UT36F NA0]	61	-
ZTNW42GALA1 [UT42F NA0]	61	61
ZTNW48GALA1 [UT48F NA0] ZTNW60GALA1 [UT60F NA0]	62	63

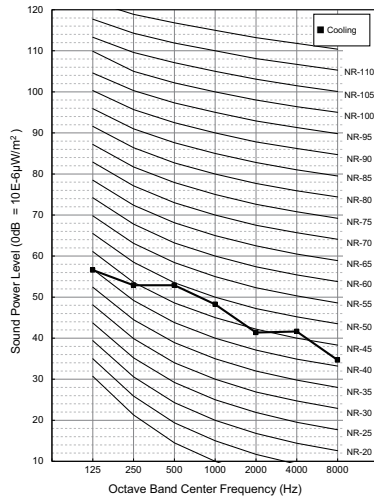
# 6. Sound Levels

## ◆ Cooling

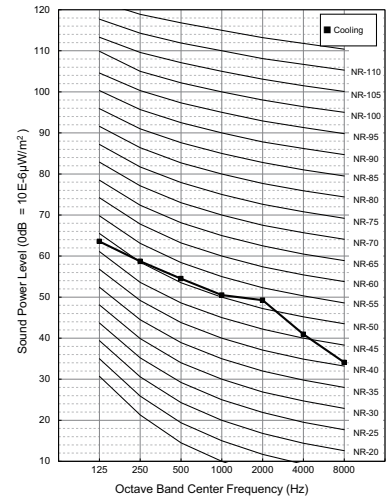
ZTNW24GBLA1 [CT24F NB0]



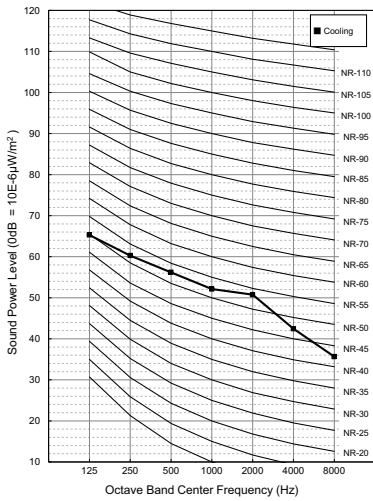
ZTNW30GBLA1 [UT30F NB0]



ZTNW36GALA1 [UT36F NA0]  
ZTNW42GALA1 [UT42F NA0]



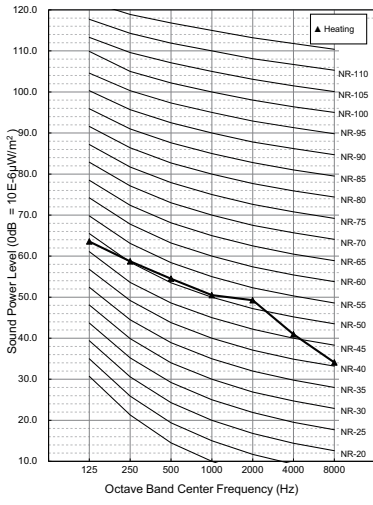
ZTNW48GALA1 [UT48F NA0]  
ZTNW60GALA1 [UT60F NA0]



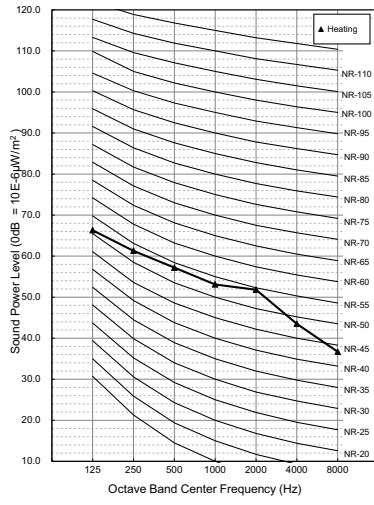
# 6. Sound Levels

## ◆ Heating

ZTNW42GALA1 [UT42F NA0]



ZTNW48GALA1 [UT48F NA0]  
ZTNW60GALA1 [UT60F NA0]

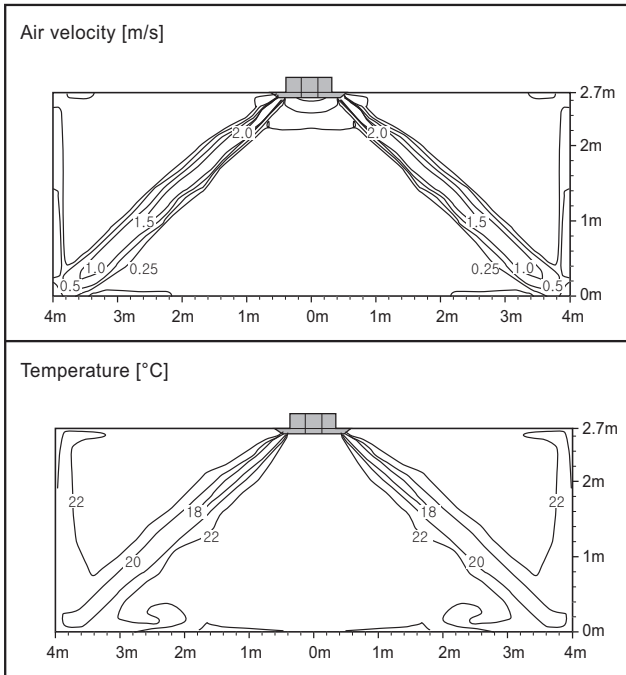


# 7. Air flow and temperature distributions (reference data)

## ZTNW24GBLA1 [CT24F NB0]

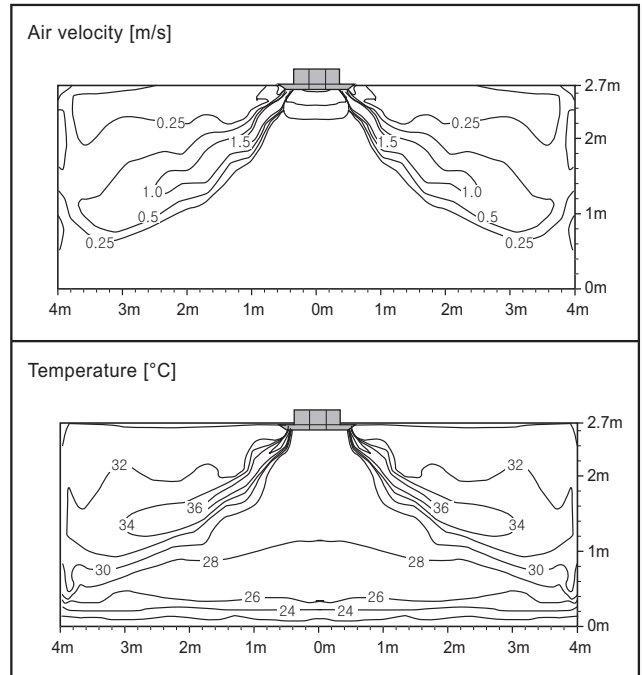
### Cooling

Discharge angle: Outer - 30°, Inner - 67°



### Heating

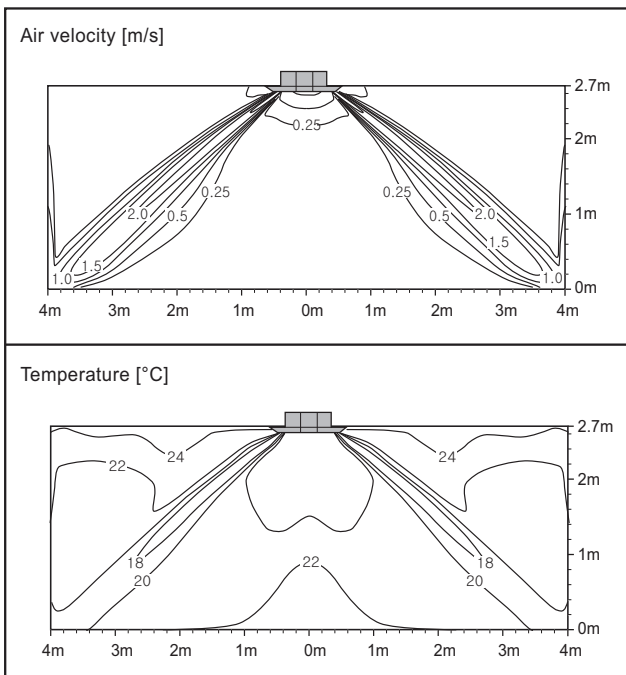
Discharge angle: Outer - 36°, Inner - 70°



## ZTNW30GBLA1 [UT30F NB0]

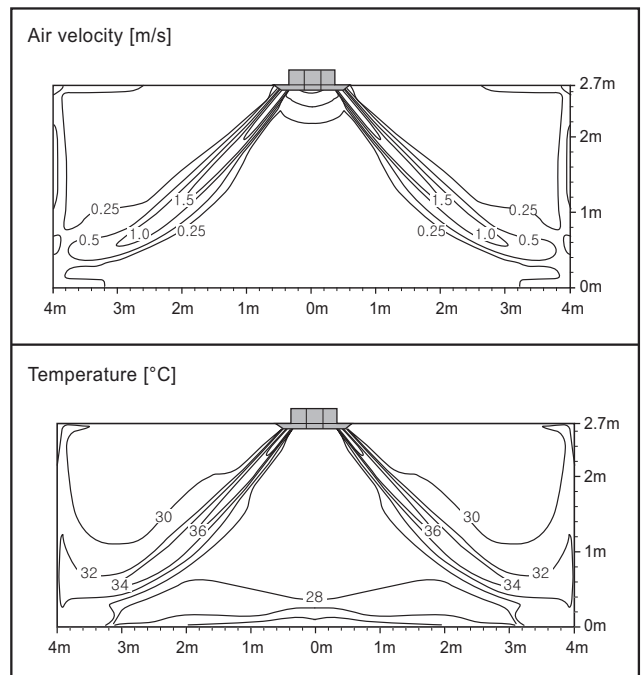
### Cooling

Discharge angle: Outer - 30°, Inner - 67°



### Heating

Discharge angle: Outer - 36°, Inner - 70°



**Note**

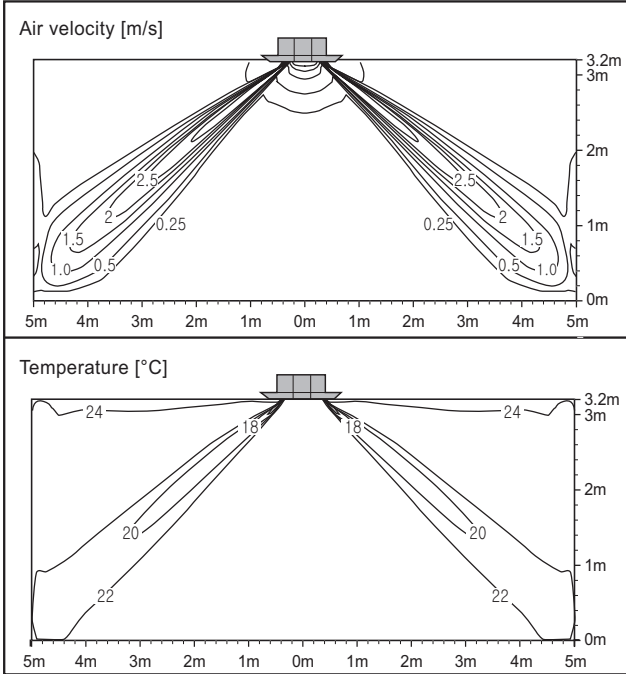
- These figures are accordance with normal certain condition and environment. (Airflow step is 'High', Air discharge angle is fixed as indicated angle.)
- Indoor airflow distribution under actual installation or operating conditions depends on ambient temperature, ceiling height, product installation direction / location, indoor / Heating load, and other obstacles, etc.

# 7. Air flow and temperature distributions (reference data)

## ZTNW36GALA1 [UT36F NA0]

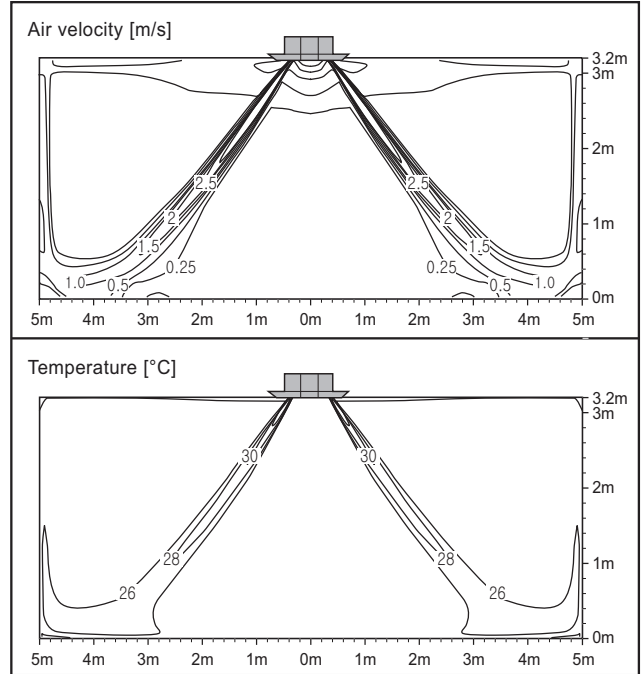
### Cooling

Discharge angle: Outer - 30°, Inner - 67°



### Heating

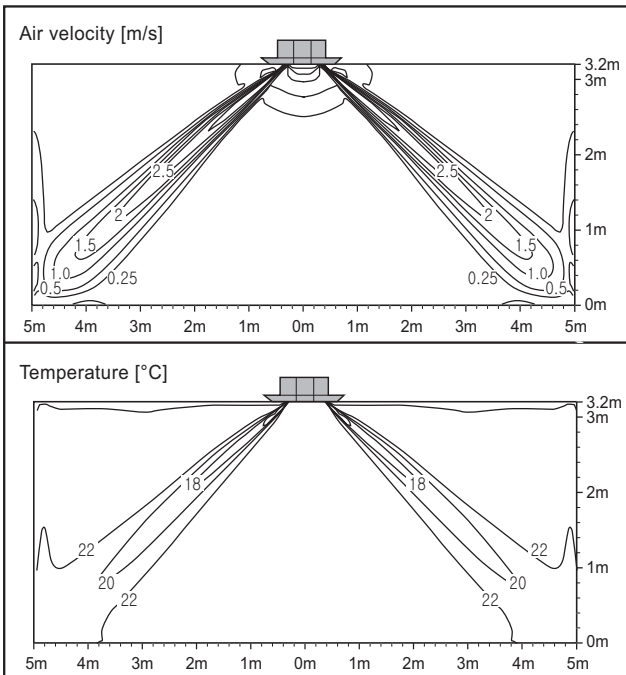
Discharge angle: Outer - 36°, Inner - 70°



## ZTNW42GALA1 [UT42F NA0]

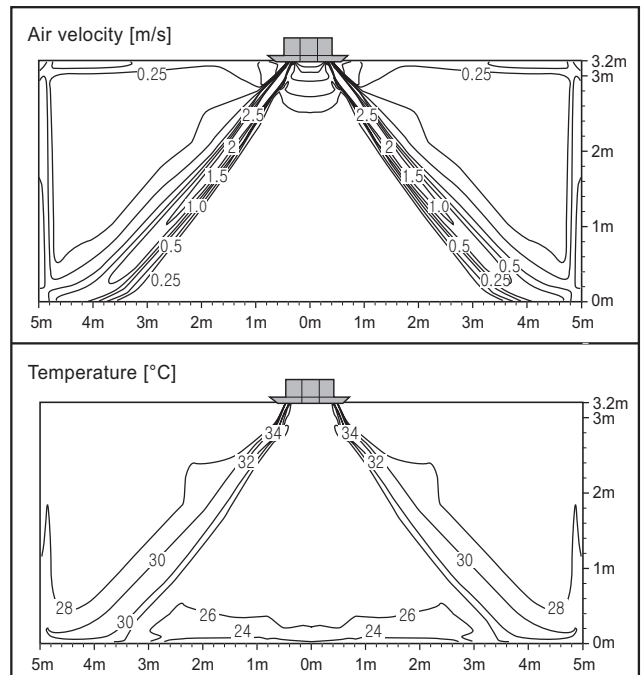
### Cooling

Discharge angle: Outer - 30°, Inner - 67°



### Heating

Discharge angle: Outer - 36°, Inner - 70°



**Note**

- These figures are accordance with normal certain condition and environment. (Airflow step is 'High', Air discharge angle is fixed as indicated angle.)
- Indoor airflow distribution under actual installation or operating conditions depends on ambient temperature, ceiling height, product installation direction / location, indoor / Heating load, and other obstacles, etc.

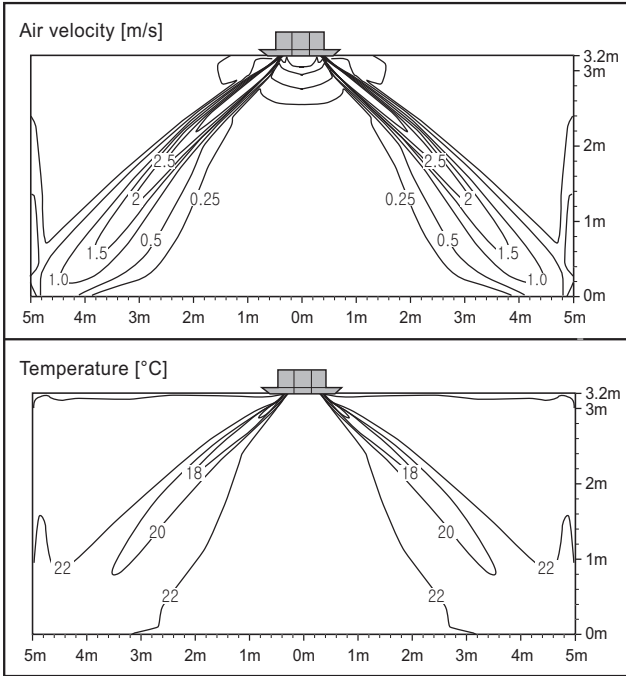


# 7. Air flow and temperature distributions (reference data)

## ZTNW48GALA1 [UT48F NA0]

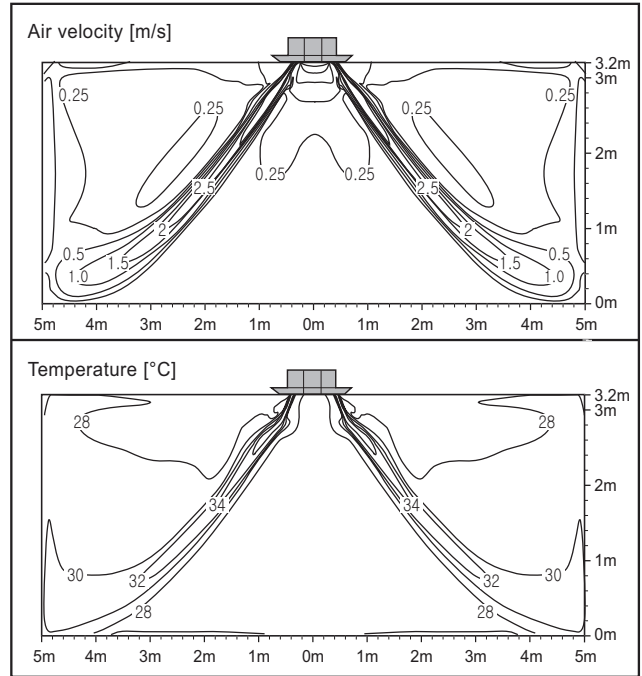
### Cooling

Discharge angle: Outer - 30°, Inner - 67°



### Heating

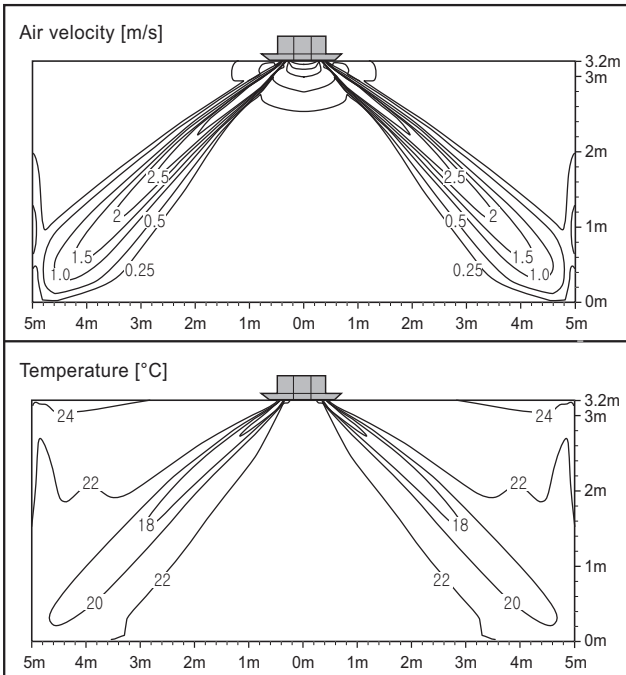
Discharge angle: Outer - 36°, Inner - 70°



## ZTNW60GALA1 [UT60F NA0]

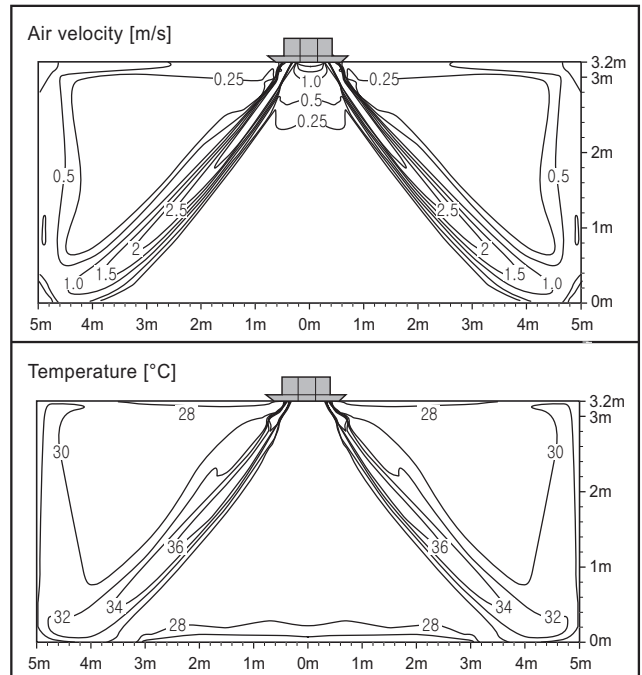
### Cooling

Discharge angle: Outer - 30°, Inner - 67°



### Heating

Discharge angle: Outer - 36°, Inner - 70°



**Note**

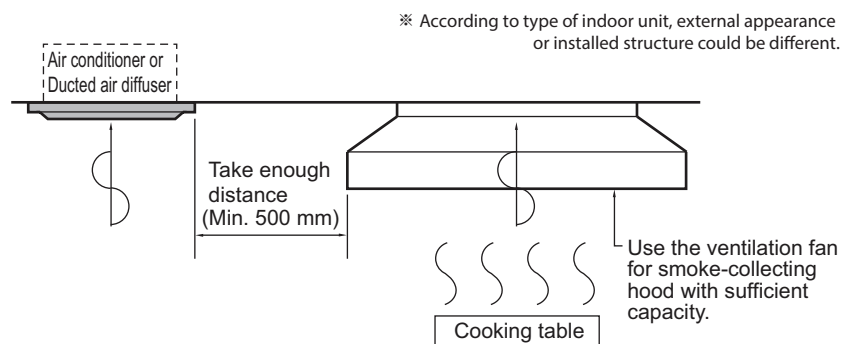
- These figures are accordance with normal certain condition and environment. (Airflow step is 'High', Air discharge angle is fixed as indicated angle.)
- Indoor airflow distribution under actual installation or operating conditions depends on ambient temperature, ceiling height, product installation direction / location, indoor / Heating load, and other obstacles, etc.

## 8. Installation

- Please read the instruction sheets completely before installing the product.
- When the power cord is damaged, replacement work shall be performed by authorized personnel only.
- Installation work must be performed in accordance with the national wiring standards.
- Teach the customer the operation and maintenance procedures, using the operation manual. (air filter cleaning, temperature control, etc.)

### 8.1 Selection of the best location

- The unit must be installed indoor area.
- Do not install the unit near the door.
- There should not be any obstacles to the air circulation or installation. Ensure the spaces from the wall, ceiling, or other obstacles.
- The place where the indoor unit can be connected with outdoor unit easily.
- The place where the unit is leveled.
- The place shall allow easy water drainage.
- The place where bear a load exceeding four times of the indoor unit weight.
- The mounting ceiling or wall should be solid enough to protect it from the vibration.
- The place where the unit is not affected by an electrical noise.
- The place where noise prevention is taken into consideration.
- The place where the maintenance space for product is sufficient. (The servicing inspection hole of the ceiling should be larger than the indoor unit.)
- The selection of the servicing inspection hole should be approved by the customer.
- There should not be any heat source or steam near the unit. Avoid the following installation location.
  1. Such places as restaurants and kitchen where considerable amount of oil steam and flour is generated. These may cause heat exchange efficiency reduction, or water drops, drain pump mal-function. In these cases, take the following actions;
    - Make sure that ventilation fan is enough to cover all noxious gases from this place.
    - Ensure enough distance from the cooking room to install the air conditioner in such a place where it may not suck oily steam.



2. Avoid installing air conditioner in such places where cooking oil or iron powder is generated.
3. Avoid places where inflammable gas is generated.
4. Avoid place where noxious gas is generated.
5. Avoid places near high frequency generators.

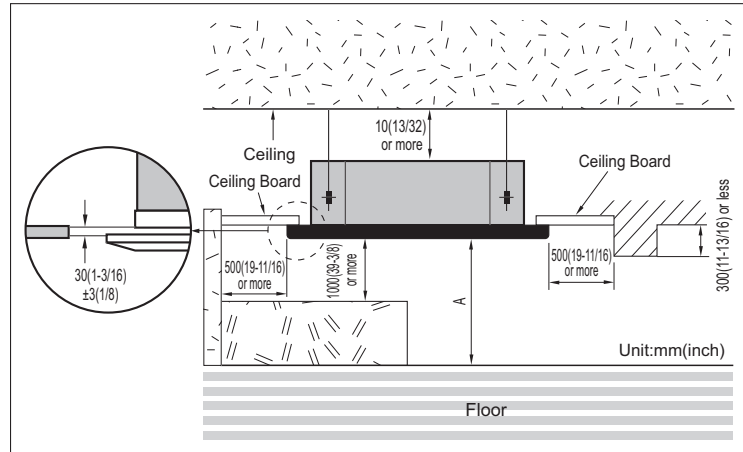
# 8. Installation

## ⚠ CAUTION

- If the temperature rise above 30°C or the humidity rise above RH 80%, the dew-protective kit should be equipped or use additional insulation to the indoor unit body.
  - "Dew Protective kit" is sold separately.
  - Use the glass wool material or polyethylene foam and it make sure to be thick of 10mm at least.

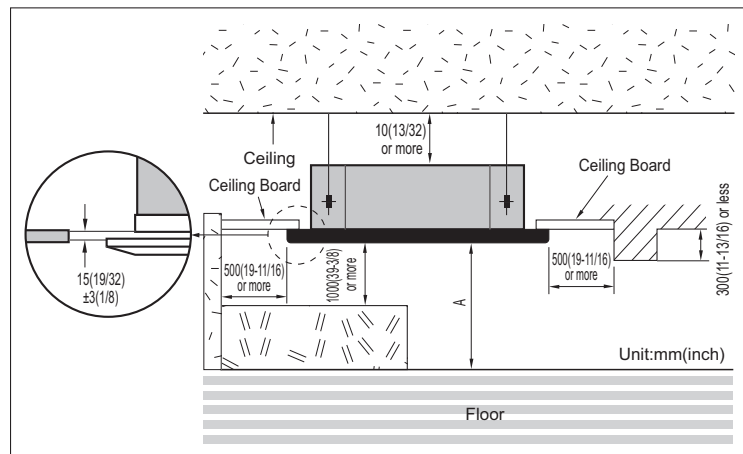
### TQ/TR Chassis

\* According to product type, model line up, sales region..etc, applicability of each chassis could be different.



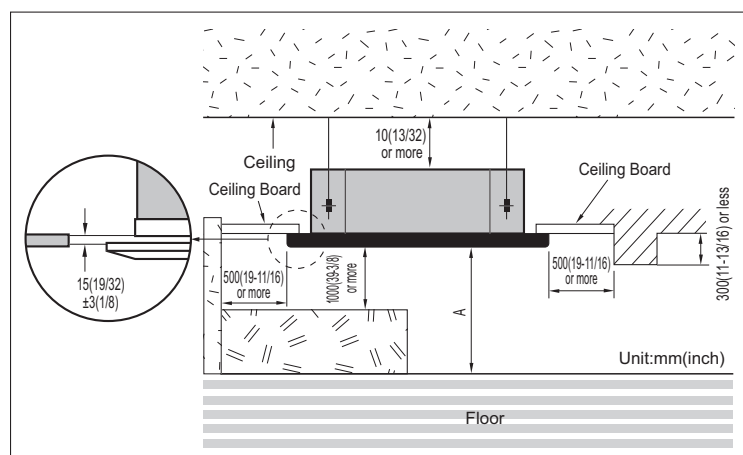
### TP/TP-B Chassis

\* According to product type, model line up, sales region..etc, applicability of each chassis could be different.



### TM/TM-A/TN Chassis

\* According to product type, model line up, sales region..etc, applicability of each chassis could be different.



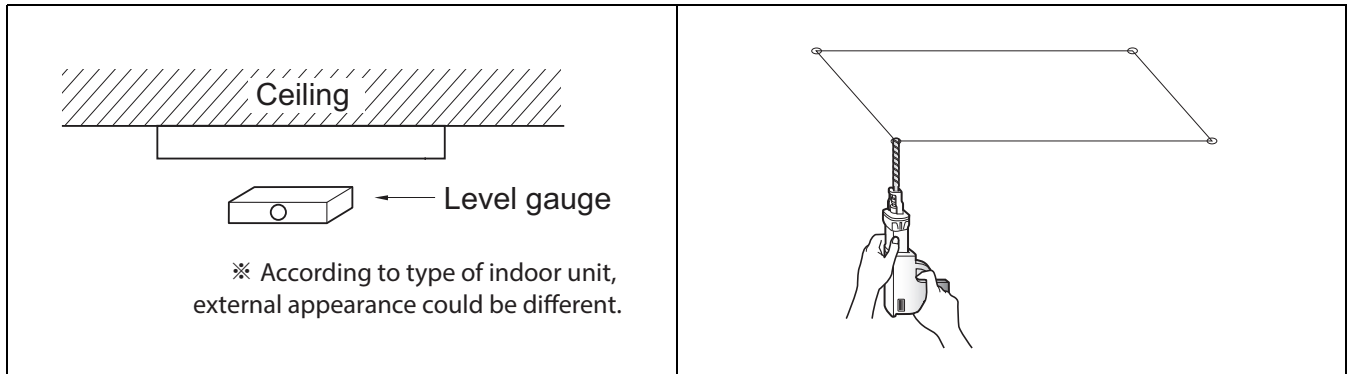
Model		A
4 Way	1.6~10.0 kW	2 000 < A ≤ 3 600
	10.0~14.5 kW	2 500 < A ≤ 4 200

## 8. Installation

### 8.2 Ceiling opening dimensions and hanging bolt location

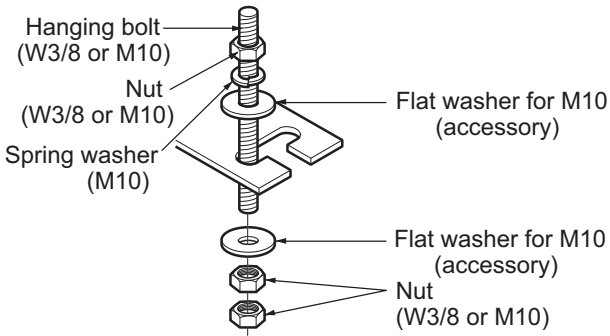
#### ⚠ CAUTION

- During the installation, care should be taken not to damage electric wires.
- In case of using a drain pump, install the unit horizontally using a level gauge.



1. The dimensions of the paper model for installation are the same as those of the ceiling opening dimensions.
2. Select and mark the position for fixing bolts and piping hole.
3. Decide the position for fixing bolts slightly tilted to the drain direction after considering the direction of drain hose.
4. Drill the hole for anchor bolt on the wall or ceiling.
  - Insert the set anchor and washer onto the suspension bolts for locking the suspension bolts on the ceiling.
  - Mount the suspension bolts to the set anchor firmly.
  - Secure the installation plates onto the suspension bolts (adjust level roughly) using nuts, washers and spring washers.
5. In case of ducted type unit, apply a joint-canvas between the unit and duct to absorb unnecessary vibration.

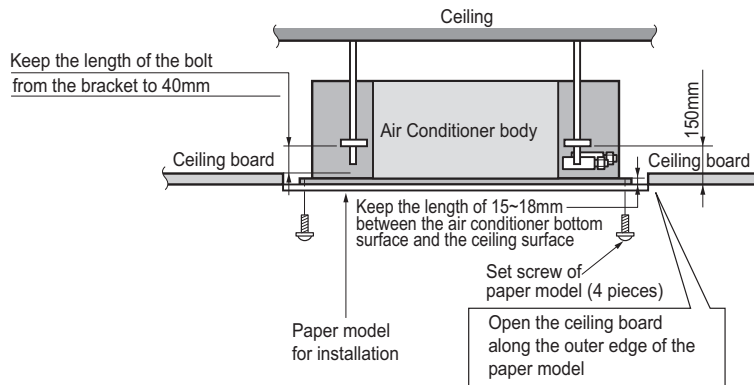
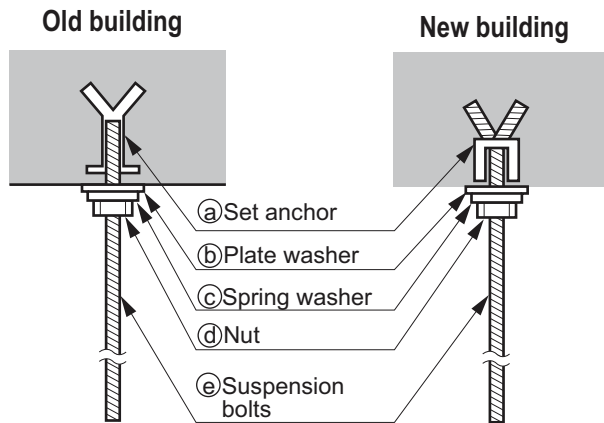
# 8. Installation



- The following parts are local purchasing.
  1. Hanging bolt - W 3/8 or M10
  2. Nut - W 3/8 or M10
  3. Spring washer - M10
  4. Plate washer - M10

**CAUTION**

- Tighten the nut and bolt to prevent the unit from falling.
- When mechanical connectors are reused indoors, sealing parts shall be renewed. (for R32)
- When flared joints are reused indoors, the flare part shall be re-fabricated. (for R32)



TQ/TR Chassis		TM/TM-A/TN/TP/TP-B Chassis
Panel Dimensions [Unit : mm]		
700 x 700	620 x 620	950 x 950

## 8. Installation

---

### 8.3 Connecting Cables between Indoor Unit and Outdoor Unit

#### 8.3.1 General instructions

- All field supplied parts and materials, electric works must conform to local codes. Use copper wire only.
  - Follow the "**WIRING DIAGRAM**" attached to the unit body to wire the outdoor unit, indoor units and the remote controller.
  - All wiring must be performed by an authorized electrician.
  - A circuit breaker capable of shutting down the power supply to the entire system must be installed.
- 

#### CAUTION

After the confirmation of the above conditions, prepare the wiring as follows:

- Never fail to have separate power specially for the air conditioner.
  - Provide a circuit breaker switch between power source and the unit.
  - Confirm the Specification of power source.
  - Confirm that electrical capacity is sufficient.
  - Be sure that the starting voltage is maintained at more than 90 percent of the rated voltage marked on the name plate.
  - Confirm that the cable thickness is as specified in the power sources specification.  
(Particularly note the relation between cable length and thickness.)
  - Do not install the leakage breaker in a place which is wet or moist.  
Water or moist may cause short circuit.
  - The following troubles would be caused by voltage drop-down.
    - » Vibration of a magnetic switch, damage on the contact point there of, fuse breaking, disturbance to the normal function of a overload protection device.
    - » Proper starting power is not given to the compressor.
- 

#### 8.3.2 Wiring connection

- Connect the wires to the terminals on the control board individually according to the outdoor unit connection.
- Ensure that the color of the wires of outdoor unit and the terminal No. are the same as those of indoor unit respectively.
- In case of the system with multiple indoor units, mark each indoor unit as unit A, unit B, etc and be sure the terminal board wiring to the outdoor unit and indoor units are properly matched. If wiring and piping between the outdoor unit and an indoor unit are mismatched, the system may cause a malfunction.

#### 8.3.3 Clamping of cables

1. Arrange 2 power cables on the control panel.
2. First, fasten the steel clamp with a screw to the inner boss of control panel.
3. For connecting of communication (transmission) cable, put the cable(or thinner cable) on the clamp and tighten it with a plastic clamp to the other boss of the control panel. In case that communication (transmission) cable is not needed to connect, fix the other side of the clamp with a screw strongly.

## 8. Installation

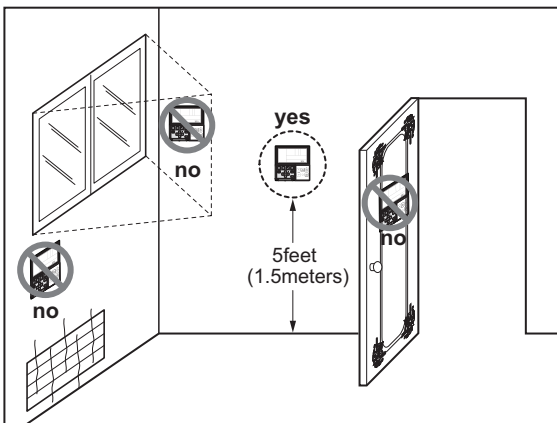
### ⚠ WARNING

- Make sure that the screws of the terminal are fixed tightly.
- The screw which fasten the wiring in the casing of electrical fittings are liable to come loose from vibrations to which the unit is subjected during the course of transportation. Check them and make sure that they are all tightly fastened. (If they are loose, it could give rise to burn-out of the wires.)
- Make sure to attach the sealing material or (field supplied) to hole of wiring to prevent the infiltration of foreign particle from outside. Otherwise a short-circuit may occur inside the electric parts box.
- When clamping the wires, be sure no pressure is applied to the wire connections by using the included clamping material to make appropriate clamps. Also, when wiring, make sure the cover on the electric parts box fits snugly by arranging the wires neatly and attaching the electric parts box cover firmly. When attaching the electric parts box cover, make sure no wires get caught in the edges. Pass wiring through the wiring through holes to prevent damage to them.
- Make sure the remote controller wiring, the wiring between the units, and other electrical wiring do not pass through the same locations outside of the unit, separating them properly, otherwise electrical noise (external static) could cause product malfunction.

### 8.3.4 Wired Remote Controller Installation (Optional)

Since the room temperature sensor is in the remote controller, the remote controller box should be installed in a place away from direct sunlight, high humidity and direct supply of cold air to maintain proper space temperature.

Install the remote controller about 5ft(1.5m) above the floor in an area with good air circulation at an average temperature.



#### • Do not install the remote controller where it can be affected by :

- Drafts, or dead spots behind doors and in corners.
- Hot or cold air from ducts.
- Radiant heat from sun or appliances.
- Concealed pipes and chimneys.
- Uncontrolled areas such as an outside wall behind the remote controller.
- This remote controller is equipped with a seven segment LED. display. For proper display of the remote controller LED's, the remote controller should be installed properly. (The standard height is 1.2~1.5 m from floor level.)

## 8. Installation

### 8.4 Installation of Decoration Panel

- The decoration panel has its installation direction.
- Before installing the decoration panel, always remove the paper template.

#### **!** CAUTION

- Install certainly the decoration panel. Cool air leakage causes sweating or falling of water-drops.



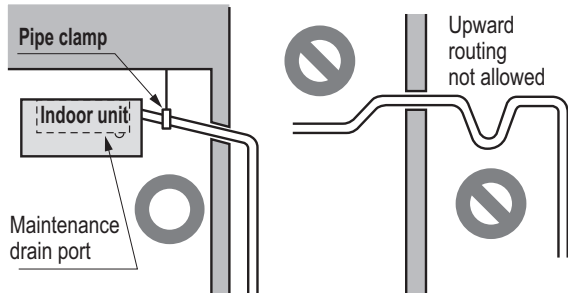


## 8. Installation

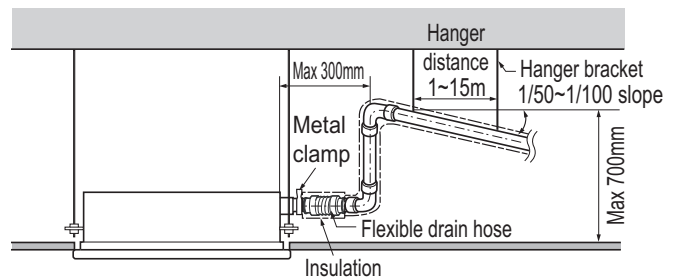
### 8.5 Indoor Unit Drain Piping

#### 8.5.1 Drain piping of indoor unit with drain pump

- Drain piping must have down-slope (1/50 to 1/100). Be sure not to provide up-and-down slope to prevent reversal flow.
- During drain piping connection, be careful not to exert force on the drain port on the indoor unit.
- The outside diameter of the drain connection on the indoor unit is 32 mm (1-1/4 inch).
  - Piping material: Use the Polyvinyl chloride pipe, 25 mm (1 inch) pipe fittings.

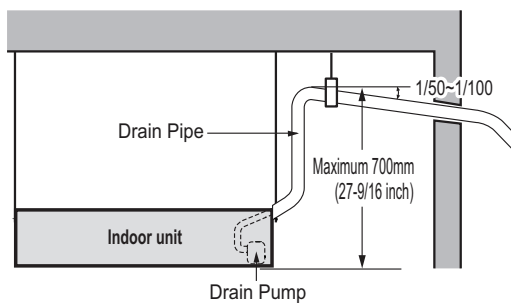


※ According to type of indoor unit, external appearance could be different.

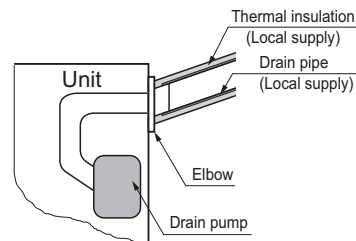


※ According to type of indoor unit, external appearance could be different.

- Possible drain head height is upto 700 mm (27-6/19 inch). So the drain head should be installed below 700 mm (27-6/19 inch).
- Be sure to install heat insulation on the drain piping.
  - Heat insulation material: Polyethylene foam with thickness more than 8 mm (5/16 inch).



※ According to type of indoor unit, external appearance could be different.



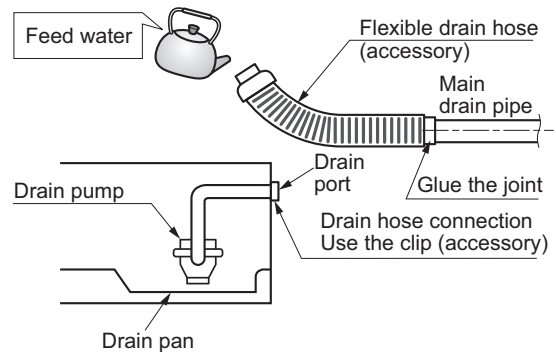
## 8. Installation

### 8.5.2 Method of Drainage test

#### ◆ Drainage test of indoor unit with drain pump

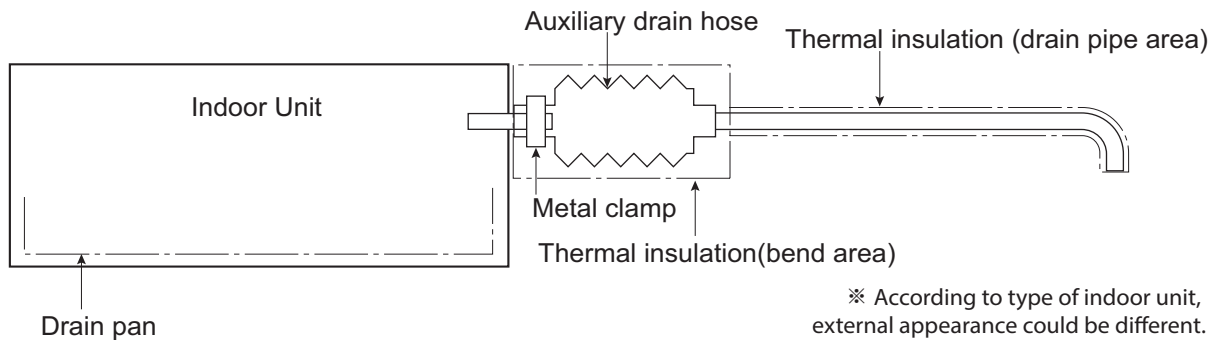
Use the following procedure to test the drain pump operation.

1. Connect the main drain pipe to the exterior and leave it provisionally until the test comes to an end.
2. Feed water to the flexible drain hose and check the piping for leakage.
3. Be sure to check the drain pump for normal operating and noise when electrical wiring is complete.
4. When the test is complete, connect the flexible drain hose to the drain port on the indoor unit.



### 8.5.3 Connection of an auxiliary(flexible) drain hose

- To connect drain pipe to the drain socket on the indoor unit, an auxiliary flexible drain hose should be used. auxiliary flexible drain hose allows that the drain pipe can be connected to the socket without breaking by excessive strain.



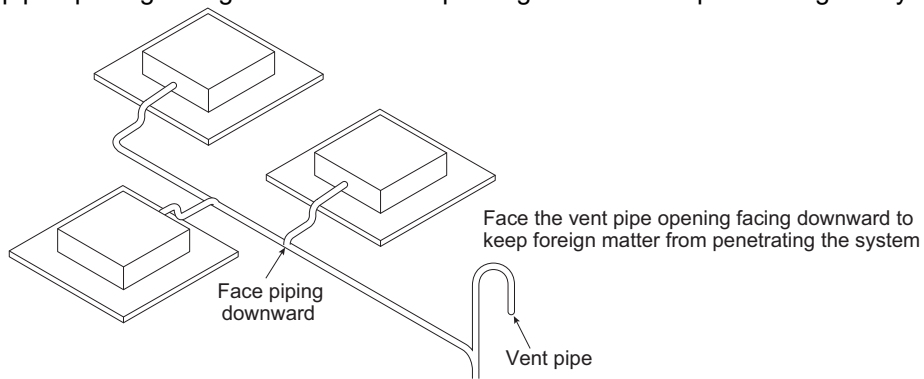
#### ⚠ CAUTION

- The supplied flexible drain hose should not be curved, neither screwed. The curved or screwed hose may cause a leakage of water.
- It is need to insulate the auxiliary drain hose with thermal insulation material.

## 8. Installation

### 8.5.4 Ground drain piping

- It is standard work practice to make connections to the main pipe from above. The pipe down from the combination should be as large as possible.
- The pipe work should be kept as short as possible and the number of indoor units per group kept to a minimum.
- Face the vent pipe opening facing downward to keep foreign matter from penetrating the system.



# MULTI/SINGLE

Indoor unit

## **Ceiling Mounted cassette (Round)**

- 1.List of Functions**
- 2.Specifications**
- 3.Dimensions**
- 4.Piping Diagrams**
- 5.Wiring Diagrams**
- 6.Air flow and temperature distribution**
- 7.Sound Levels**
- 8.Installation**

# 1. List of functions

## ◆ List of function

Category	Functions	ZTNW36GYLA0 [UT36F NY0] ZTNW48GYLA0 [UT48F NY0]
Air Flow	Air Supply Outlet	Round
	Airflow Direction Control (left & right)	X
	Airflow Direction Control (up & down)	Auto
	Auto Swing (left & right)	X
	Auto Swing (up & down)	O
	Airflow Steps (fan/cool/heat)	4 / 5 / 4
	Fan Speed Auto*	Advanced
	Power Cool/Heat	O / X
	Swirl Wind*	O
	Refresh Mode**	X
	Smart Mode**	X
	Indirect Wind*	O
	Direct Wind*	O
	Dry Operation	O
Air Purification	Air Purify	Accessory
	Ionizer	X
	UV-C	X
	Pre-Filter	O
	PM1.0 Filter	X
Reliability	Hot Start	O
	Self Diagnosis	O
Convenience	Auto Mode	O
	Auto Dry Operation	O
	Auto Restart	O
	Child Lock*	O
	Forced Operation	O
	Group Control*	O
	Sleep Timer	O
	Turn On/Off Reservation	O
	Schedule*	O
	Two Thermistor Control*	O
External On/Off	O	
Installation	Drain Pump	O
	E.S.P. Control*	X
	High Ceiling Operation*	O
Special Functions	Wi-Fi	Accessory
	Auto Elevation Grille	X
	Human Detection Function**	X
	Floor Detection Function**	X

### Note

- O : Applied, X : Not Applied, - : Unconfirmed or irrelevant  
Embedded : A kit is provided by default for using this function when the product is manufactured.  
Accessory : Ordered and purchased separately the accessory package referring to the model name provided and install at field. Accessory line-ups varies by region, so check your local catalogue or local sales material.
- Some functions can be limited by remote controller.
- In case of cassette type indoor units, Air Purification Kit and Auto Elevation Grille functions are not applicable at the same time.
- 'Auto Mode' varies depending on the outdoor unit type.  
- Auto Change Over(Single Heat Pump Outdoor Unit)  
- Auto Mode Select(Multi Heat Pump Outdoor Unit)  
- Auto Intensity Control(Cooling Only Outdoor Unit)
- \* : These functions need to connect the wired remote controller.
- \*\* : This functions need to connect to the Standard III wired remote controller.

# 1. List of functions

## ◆ Accessory Compatibility List

Category		Product	Remark	ZTNW36GYLA0 [UT36F NY0] ZTNW48GYLA0 [UT48F NY0]
Wireless Remote Controller		PQWRHQ0FDB	Heat Pump	O (Embedded)
		PWLSSB21H	Heat Pump	O
Wired Remote Controller	Simple	PQRCVCL0Q(W)	Simple	O
		PQRCHCA0Q(W)	for Hotel	O
	Standard	PREMTB001	Standard II (White)	O
		PREMTBB01	Standard II (Black)	O
		PREMTB100	Standard III (White)	O
		PREMTBB10	Standard III (Black)	O
Premium	PREMTA000(A/B)	Premium	O	
Dry contact	Simple Contact	PDRYCB000	Simple Dry Contact	O
	Communication type	PDRYCB400	2 Points Dry Contact (For Setback)	O
		PDRYCB300	For 3rd Party Thermostat	O
		PDRYCB320	For 3rd Party Thermostat (Analog Input)	O
		PDRYCB500	For Modbus	O
Gateway	IDU PI485	PHNFP14A0	Without case	X
		PSNFP14A0	With case	X
ETC	Remote temperature sensor	PQRSTA0	-	O
	Zone controller	ABZCA	-	X
	CO <sub>2</sub> Sensor	PES-C0RV0	For ERV, ERV DX Indoor units	X
	Group control wire	PZCWRCG3	0.25m	O
	2-Remo Control Wire	PZCWRC2	0.25m	X
	Extension Wire	PZCWRC1	10m	O
	Wi-Fi Controller*	PWFMDD200	-	O
	Air Purification Kit	PTAHYP0	-	O

### Note

1. O: Possible, X: Impossible, -: Not applicable, Embedded: Included with product.
2. \*: Some advanced functions controlled by individual controller cannot be operated.
3. If there is a difference in development time between the product and the remote controller, some functions cannot be operated.
4. Selecting a wireless remote controller in case of ducted type indoor units requires either a connection to the wired remote controller (Standard II) or an IR receiver accessory to be connected to the duct in order to receive the signal.
5. If you need more detail, please refer to the **BECON** PDB or the manual of product. (<http://partner.lge.com/global> : Home> Doc.Library> Product > Control(BECON))

## 2. Specifications

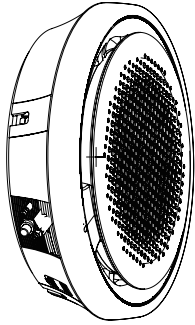
Model Name			Unit	ZTNW36GYLA0 [UT36F NY0]	ZTNW48GYLA0 [UT48F NY0]
Power Supply			V, Ø, Hz	220-240, 1, 50	220-240, 1, 50
				220, 1, 60	220, 1, 60
Capacity(Nominal)	Cooling		kW	11.0	13.4
	Heating		kW	12.2	15.5
Power Input		H / M / L	W	90 / 66 / 48	125 / 90 / 66
Running Current		H / M / L	A	0.70 / 0.60 / 0.40	0.80 / 0.70 / 0.60
		Max.	A	-	-
Exterior	Color		-	White	White
	RAL (Classic)		-	RAL 9003	RAL 9003
Dimensions	Net	W x H x D	mm	1,050 × 330 × 1,050	1,050 × 330 × 1,050
Dimensions	Shipping	W x H x D	mm	1,137 × 395 × 1,132	1,137 × 395 × 1,132
Weight	Net		kg	30.0	30.0
	Shipping		kg	38.6	38.6
Heat Exchanger	Rows x Columns x FPI			(2 x 12 x 21) + (1 x 12 x 21)	(2 x 12 x 21) + (1 x 12 x 21)
	Face Area		m <sup>2</sup>	0.47	0.47
Fan Type				3D Turbo Fan	3D Turbo Fan
Air Flow Rate		H / M / L	m <sup>3</sup> /min	25.0 / 21.0 / 19.0	29.0 / 25.0 / 21.0
Fan Motor	Type			BLDC	BLDC
	Drive			Internal	Internal
	Output		W x No.	136 x 1	136 x 1
Safety Device				Fuse / Thermal Protector for Fan Motor	
Piping Connections	Liquid Side		mm (inch)	Ø 9.52 (3/8)	Ø 9.52 (3/8)
	Gas Side		mm (inch)	Ø 15.88 (5/8)	Ø 15.88 (5/8)
	Drain Pipe	O.D. / I.D.	mm	Ø 32.0 / 25.0	Ø 32.0 / 25.0
Sound Pressure Level	Cooling	H / M / L	dB(A)	44.0 / 40.0 / 38.0	47.0 / 44.0 / 40.0
	Heating	H / M / L	dB(A)	47.0 / 43.0 / 40.0	49.0 / 46.0 / 42.0
Sound Power Level	Cooling	Rated	dB(A)	59	60
	Heating	Rated	dB(A)	-	62
Power and Communication Cable (included Earth)			No. x mm <sup>2</sup>	4C x 0.75	4C x 0.75

### Note

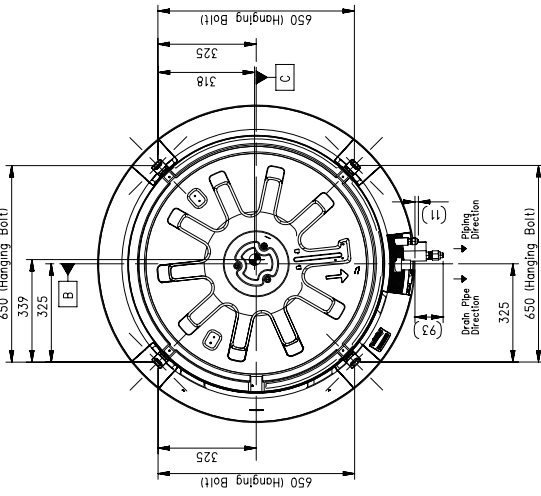
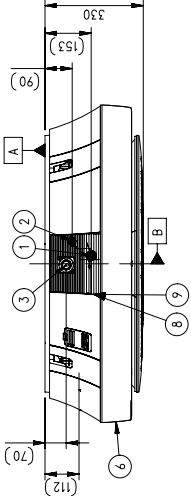
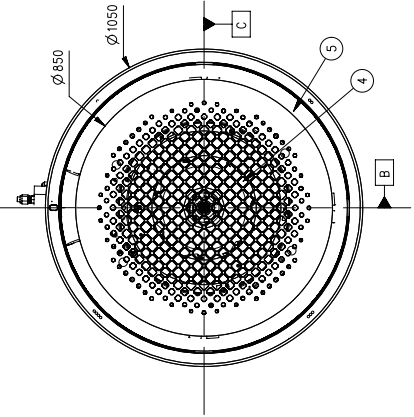
- Due to our policy of innovation some specifications may be changed without notification.
- Wiring cable size must comply with the applicable local and national code. And "Electric characteristics" chapter should be considered for electrical work and design. Especially the power cable and circuit breaker should be selected in accordance with that.
- Sound Level Values are measured at Noise Measuring chamber accordance with standard. Therefore, these values depend on the ambient conditions and values are normally higher in actual operation(Sound Pressure : LG Internal standard, Sound Power : EN 12102 (ISO 3741).
- Capacities are net capacities and based on the following conditions. Refer to the Outdoor Unit Specifications for calculating the real capacity.
  - Cooling : Indoor Ambient Temp. 27°CDB / 19°CWB, Outdoor Ambient Temp. 35°CDB / 24°CWB
  - Heating : Indoor Ambient Temp. 20°CDB / 15°CWB, Outdoor Ambient Temp. 7°CDB / 6°CWB
  - Interconnected Pipe is standard length and difference of Elevation (Outdoor ~ Indoor Unit) is 0m.

### 3. Dimensions

#### ZTNW36GYLA0 [UT36F NY0] / ZTNW48GYLA0 [UT48F NY0]



3D View

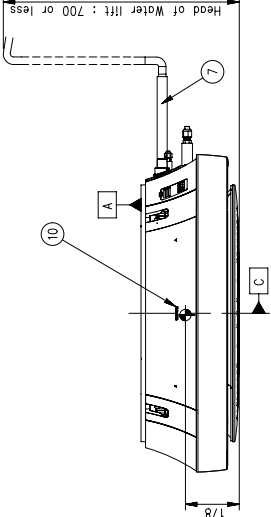




10	Control Box	-
9	Wired remote controller wire routing hole	-
8	Power and communication cable routing hole	-
7	Flexible Drain Hose	Supplied with product
6	Decor Panel Assembly	-
5	Air Outlet	-
4	Air Inlet	-
3	Drain Pipe Connection	-
2	Liquid Pipe Connection	-
1	Gas Pipe Connection	-
No.	Part Name	Description

[Unit: mm]

Chassis code: TY

DWG No.: TBA36428201\_rev01



● Gravity Point

Head of Water lift : 700 or less

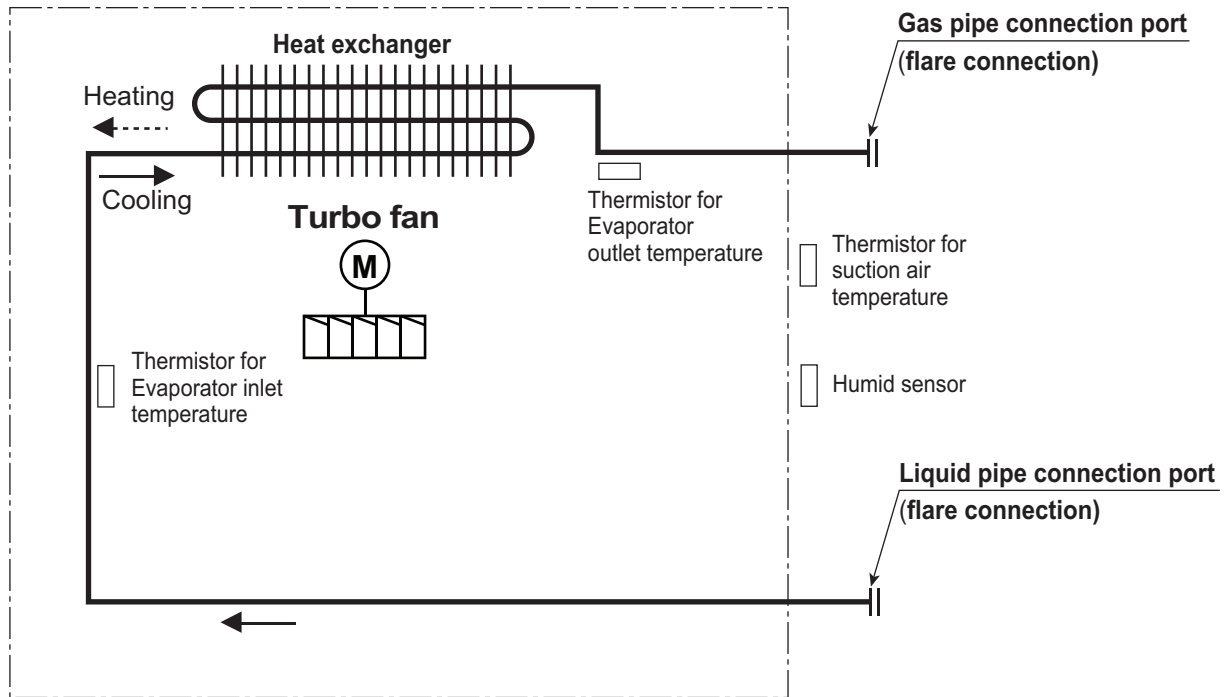
**Note**

1. Unit should be installed in compliance with the installation manual in the product box.
2. The unit should be installed in accordance with the local regulations or applicable national codes.
3. All electrical components and materials to be supplied from the site must comply with the local regulations or international codes.



# 4. Piping Diagrams

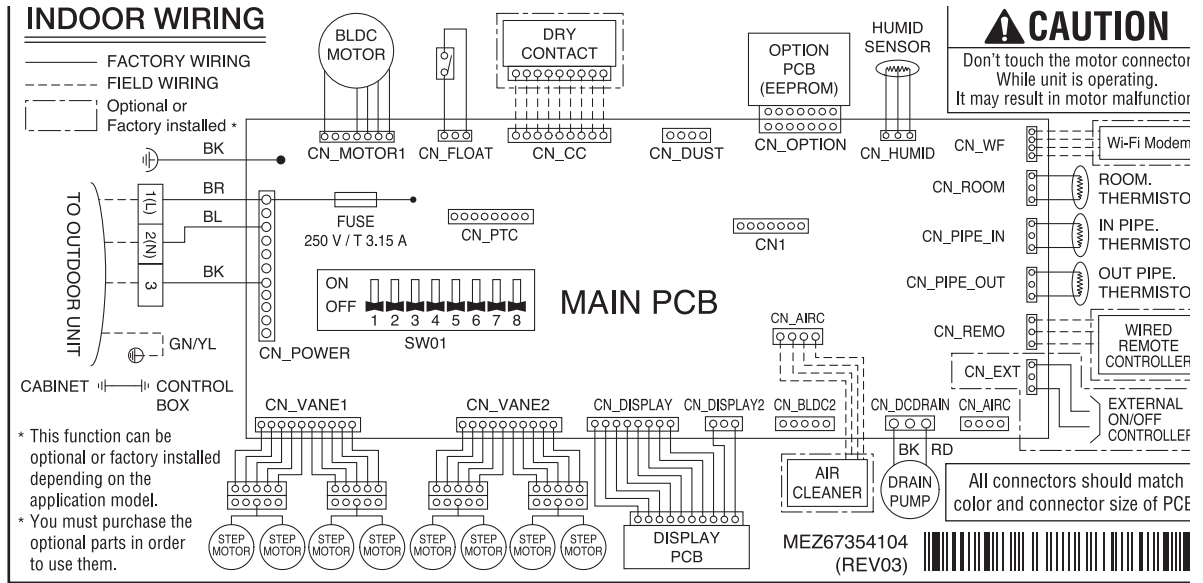
## ■ ZTNW36GYLA0 [UT36F NY0] / ZTNW48GYLA0 [UT48F NY0]



Description	PCB Connector
Thermistor for suction air temperature	CN_ROOM
Thermistor for evaporator inlet temperature	CN-PIPE_IN
Thermistor for evaporator outlet temperature	CN-PIPE_OUT

# 5. Wiring Diagrams

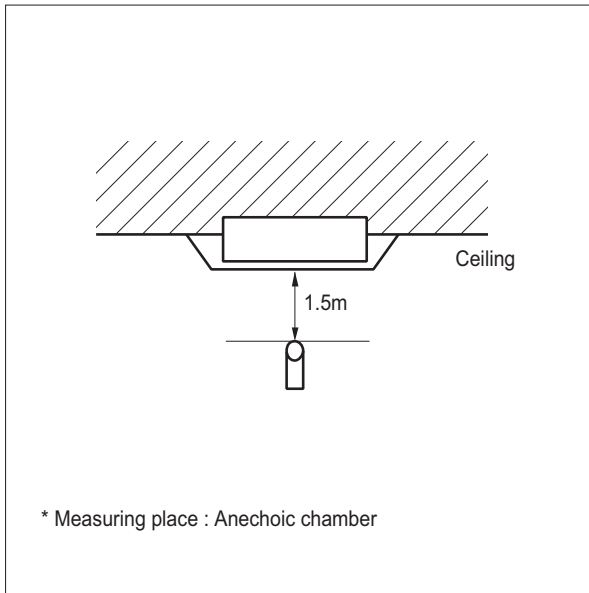
## ZTNW36GYLA0 [UT36F NY0] / ZTNW48GYLA0 [UT48F NY0]



## 6. Sound Levels

### 6.1 Sound Pressure Level

#### Overall



**Note**

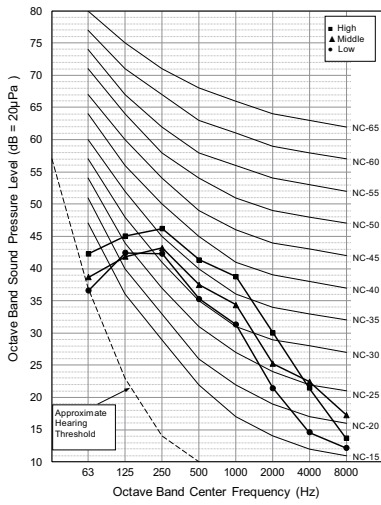
1. Sound measured at some distance away from the center of the unit.
2. Data is valid at free field condition.
3. Reference acoustic pressure 0dB = 20μPa.
4. Data is valid at nominal operation condition.  
Refer to the Model Specifications for nominal conditions (Power source and Ambient temperature, etc)
5. Sound levels can be increased in accordance with installation and operating conditions. (Static pressure mode, used air guide, Room target temperature setting, etc)
6. Sound level will vary depending on a range of factors such as the construction (acoustic absorption coefficient) of particular room in which the equipment is installed.
7. Sound pressure level is measured on the rated condition in the anechoic rooms. (LG Internal Standard)  
Therefore, these values can be increased owing to ambient conditions during operation.

Model	50Hz, 220-240V					
	Sound pressure Levels [dB(A)]					
	Cooling			Heating		
	H	M	L	H	M	L
ZTNW36GYLA0 [UT36F NY0]	44	40	38	47	43	40
ZTNW48GYLA0 [UT48F NY0]	47	44	40	49	46	42

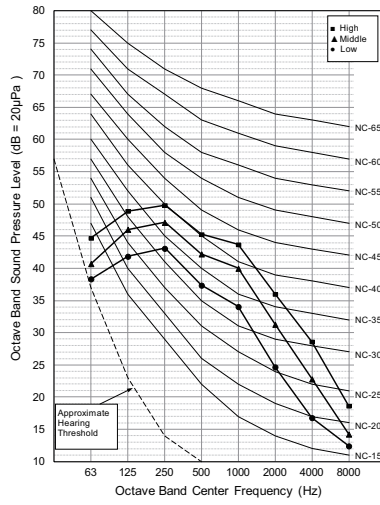
# 6. Sound Levels

## ◆ Cooling

ZTNW36GYLA0 [UT36F NY0]

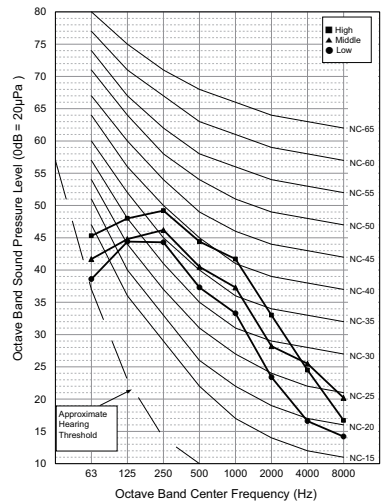


ZTNW48GYLA0 [UT48F NY0]

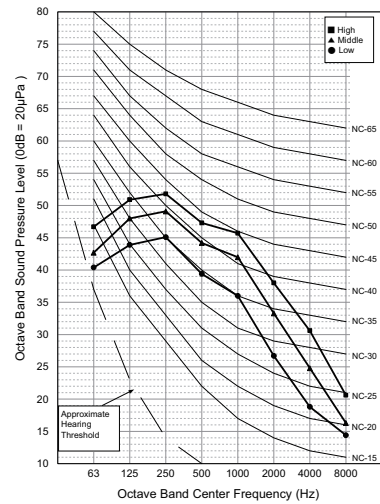


## ◆ Heating

ZTNW36GYLA0 [UT36F NY0]



ZTNW48GYLA0 [UT48F NY0]



## 6. Sound Levels

### 6.2 Sound Power Level

#### Note

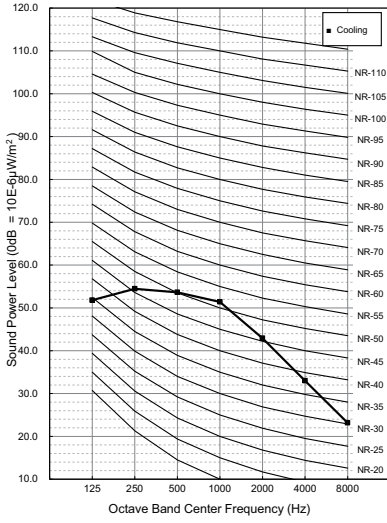
1. Data is valid at diffuse field condition.
2. Data is valid at nominal operation condition.  
Refer to the Model Specifications for nominal conditions(Power source and Ambient temperature, etc)
3. Sound level can be increased in static pressure mode or used air guide.
4. Sound level will vary depending on a range of factors such as the construction (acoustic absorption coefficient).
5. Reference acoustic intensity 0dB =  $10E-6\mu W/m^2$
6. Sound power level is measured on the rated condition in the reverberation rooms by ISO 3741 standard.  
Therefore, these values can be increased owing to ambient conditions during operation.

Model	Sound power level [dB(A)]	
	Cooling	Heating
ZTNW36GYLA0 [UT36F NY0]	59	-
ZTNW48GYLA0 [UT48F NY0]	60	62

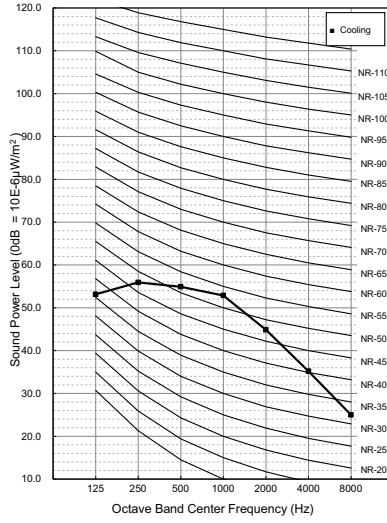
# 6. Sound Levels

## ◆ Cooling

ZTNW36GYLA0 [UT36F NY0]

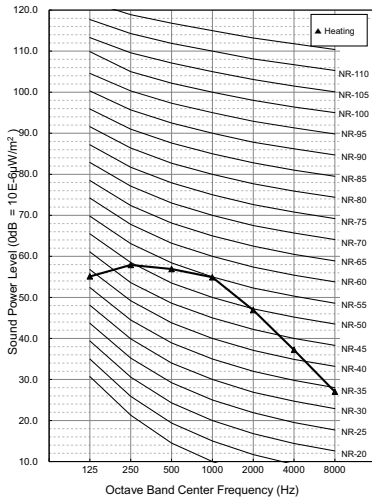


ZTNW48GYLA0 [UT48F NY0]



## ◆ Heating

ZTNW48GYLA0 [UT48F NY0]

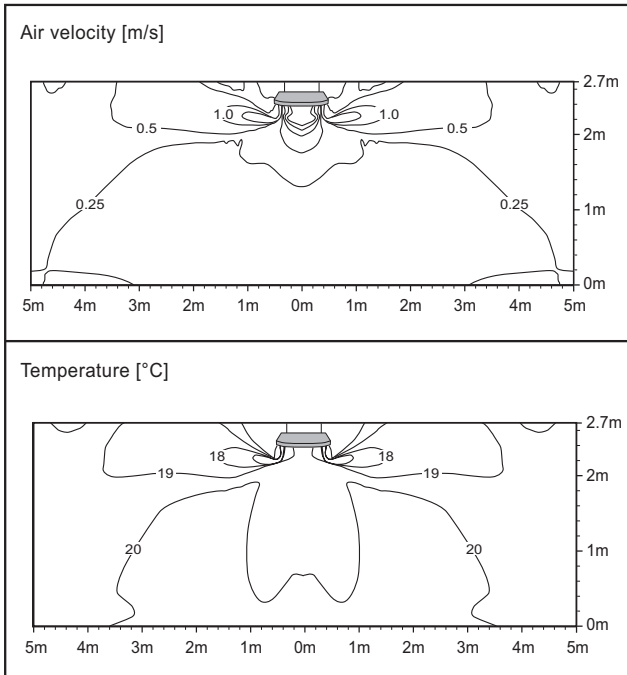


# 7. Air flow and temperature distributions (reference data)

## ZTNW36GYLA0 [UT36F NY0]

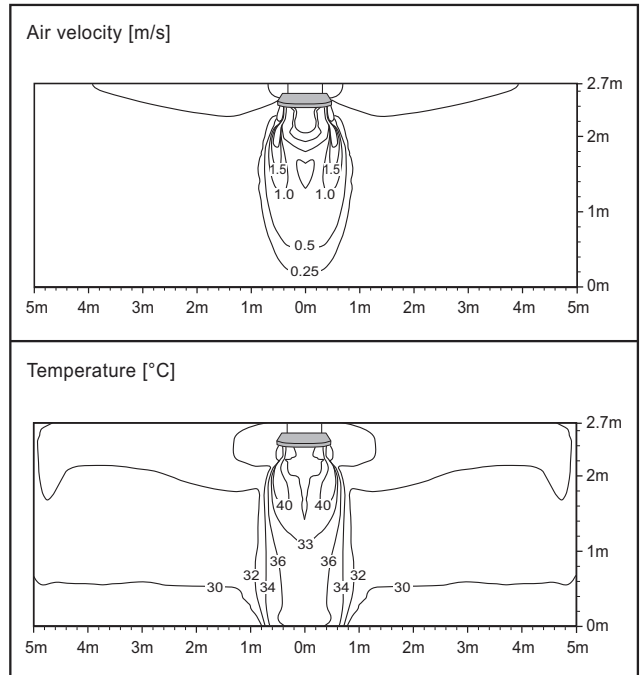
### Cooling

Vane : 1 step



### Heating

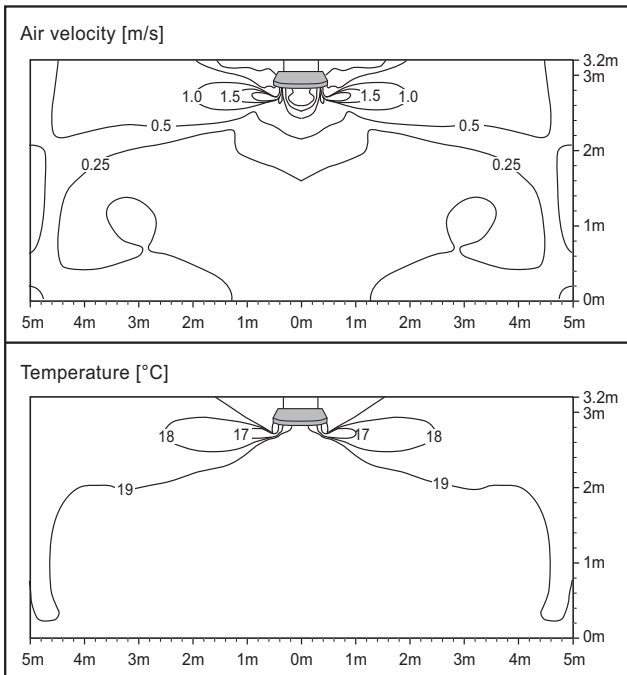
Vane : 6 step



## ZTNW48GYLA0 [UT48F NY0]

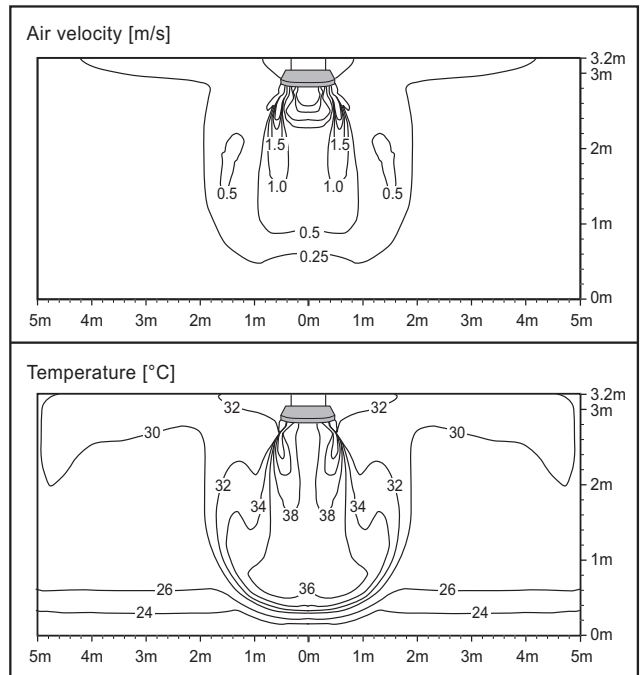
### Cooling

Vane : 1 step



### Heating

Vane : 6 step

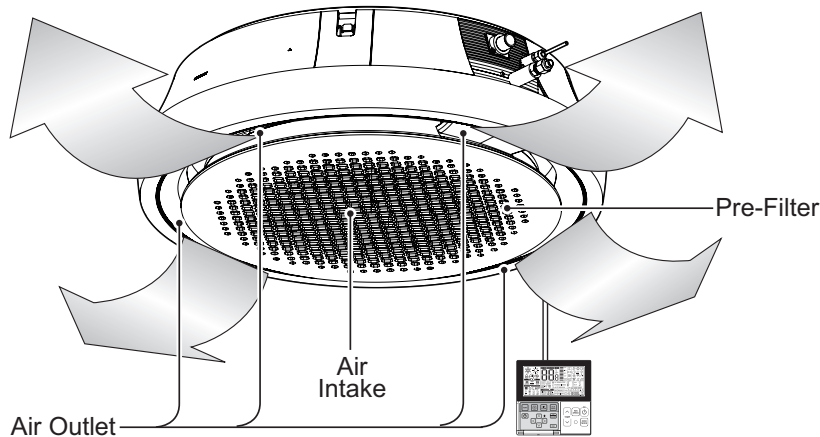


**Note**

- These figures are accordance with normal certain condition and environment. (Airflow step is 'High', Air discharge angle is fixed as indicated angle.)
- Indoor airflow distribution under actual installation or operating conditions depends on ambient temperature, ceiling height, product installation direction / location, indoor / Heating load, and other obstacles, etc.

## 8. Installation

- Please read the instruction sheets completely before installing the product.
- When the power cord is damaged, replacement work shall be performed by authorized personnel only.
- Installation work must be performed in accordance with the national wiring standards.
- Teach the customer the operation and maintenance procedures, using the operation manual. (air filter cleaning, temperature control, etc.)



Wired Remote Controller(Accessory)

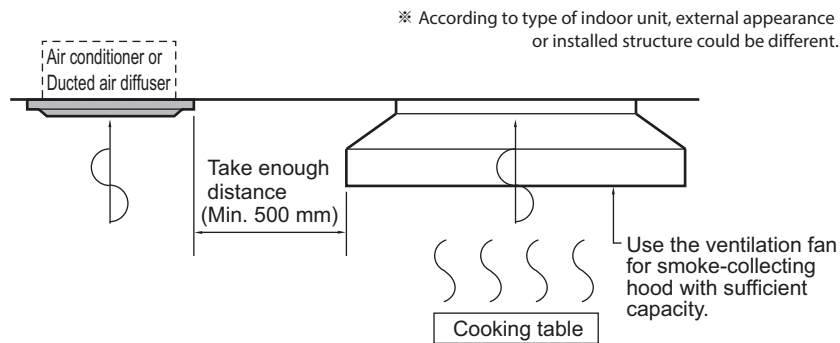
### 8.1 Selection of the best location

- The unit must be installed indoor area.
- Do not install the unit near the door.
- There should not be any obstacles to the air circulation or installation. Ensure the spaces from the wall, ceiling, or other obstacles.
- The place where the indoor unit can be connected with outdoor unit easily.
- The place where the unit is leveled.
- The place shall allow easy water drainage.
- The place where bear a load exceeding four times of the indoor unit weight.
- The mounting ceiling or wall should be solid enough to protect it from the vibration.
- The place where the unit is not affected by an electrical noise.
- The place where noise prevention is taken into consideration.
- The place where the maintenance space for product is sufficient. (The servicing inspection hole of the ceiling should be larger than the indoor unit.)
- The selection of the servicing inspection hole should be approved by the customer.
- There should not be any heat source or steam near the unit. Avoid the following installation location.
  1. Such places as restaurants and kitchen where considerable amount of oil steam and flour is generated. These may cause heat exchange efficiency reduction, or water drops, drain pump mal-function. In these cases, take the following actions;



## 8. Installation

- Make sure that ventilation fan is enough to cover all noxious gases from this place.
- Ensure enough distance from the cooking room to install the air conditioner in such a place where it may not suck oily steam.



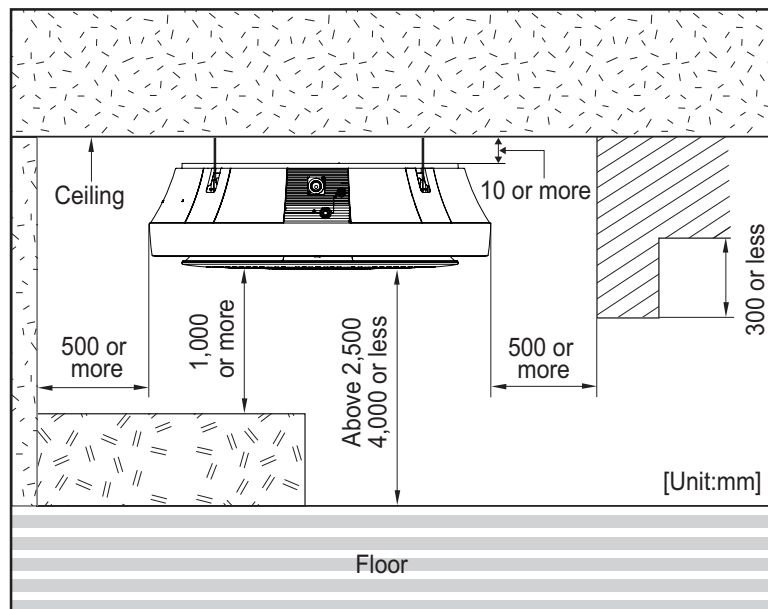
2. Avoid installing air conditioner in such places where cooking oil or iron powder is generated.
3. Avoid places where inflammable gas is generated.
4. Avoid place where noxious gas is generated.
5. Avoid places near high frequency generators.

### ⚠ CAUTION

- If the temperature rise above 30°C or the humidity rise above RH 80%, the dew-protective kit should be equipped or use additional insulation to the indoor unit body.
  - "Dew Protective kit" is sold separately.
  - Use the glass wool material or polyethylene foam and it make sure to be thick of 10mm at least.

### TY Chassis

\* According to product type, model line up, sales region..etc, applicability of each chassis could be different.



### ⚠ CAUTION

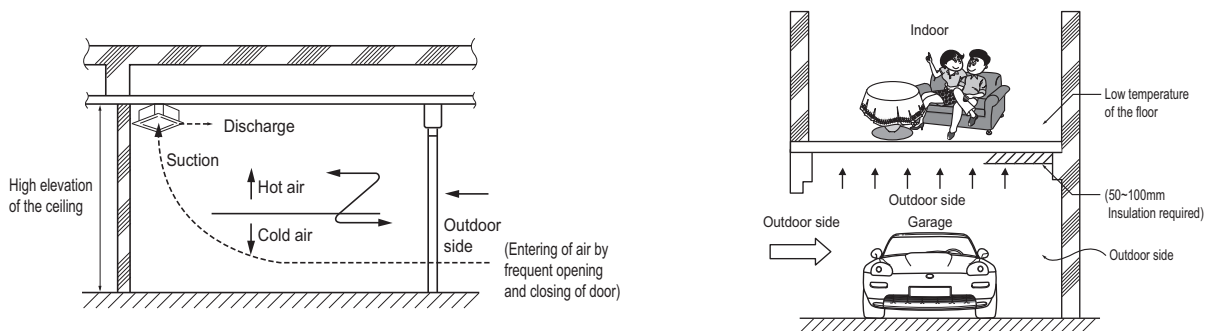
- This product is based on exposure installation. Do not install it in a landfill site such as ceiling tax.

## 8. Installation

### 8.2 Precautions regarding cassette indoor unit installation

#### ◆ Main points about the indoor installation

- In general commercial places and offices though the height of the ceiling is 2.7 m, the ceiling height could be over 3 m.
- In such cases because of the temperature difference with the floor the heating effect can fall down.
- Countermeasure method
  1. Air conditioner should be able to operate in high ceiling operation mode.
  2. Plan to install the circulator.
  3. The air discharge port should be made to give more airflow to the down floor directions.
  4. The gate or exit of the building is protected by dual door system to minimize inflow of outdoor air.



#### ◆ In case the floor or surfaces is contact with the outdoor air directly

- If the floor of air conditioned room contact with the outside air, like the store room or garage, the floor temperature will be decreased and users can have a cold feeling in the feet.
- In such places where the feet comes in direct contact with floors will give a cold feeling to the foot.

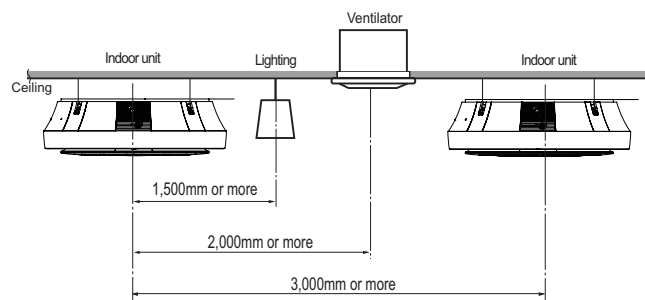
#### ⚠ CAUTION

- In case there is a cold air intake,
  - » The duct surface may have some dew drops. So a insulation on the duct is a must. (Insulation material: a glass wool of thickness 25 mm will be appropriate.)

#### • Countermeasure method

1. Use the carpet on the floor.  
(compared to the tiles the carpet over it will have a 3 degree rise in temperature)
2. Insulating the floor.
3. Floor heating.

#### ◆ In case of multiple indoor cassette units (recommended)

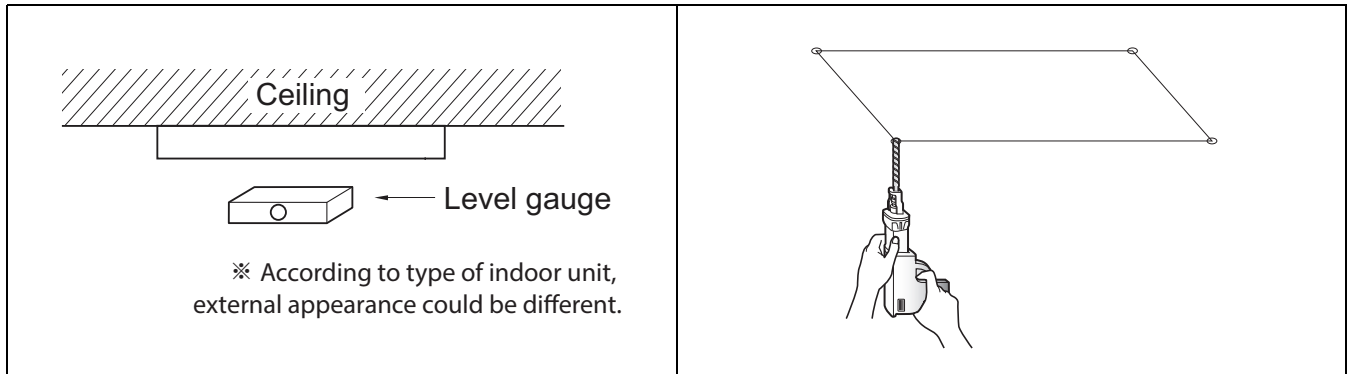


## 8. Installation

### 8.3 Ceiling opening dimensions and hanging bolt location

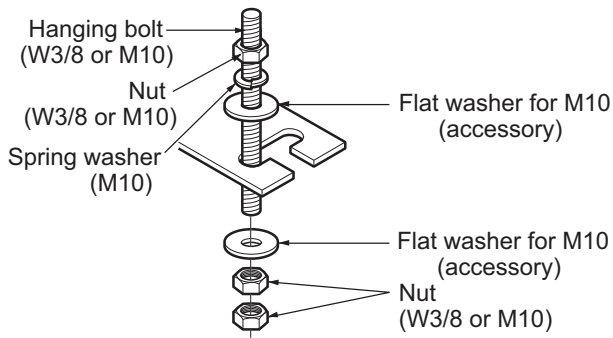
#### ⚠ CAUTION

- During the installation, care should be taken not to damage electric wires.
- In case of using a drain pump, install the unit horizontally using a level gauge.



1. The dimensions of the paper model for installation are the same as those of the ceiling opening dimensions.
2. Select and mark the position for fixing bolts and piping hole.
3. Decide the position for fixing bolts slightly tilted to the drain direction after considering the direction of drain hose.
4. Drill the hole for anchor bolt on the wall or ceiling.
  - Insert the set anchor and washer onto the suspension bolts for locking the suspension bolts on the ceiling.
  - Mount the suspension bolts to the set anchor firmly.
  - Secure the installation plates onto the suspension bolts (adjust level roughly) using nuts, washers and spring washers.
5. In case of ducted type unit, apply a joint-canvas between the unit and duct to absorb unnecessary vibration.

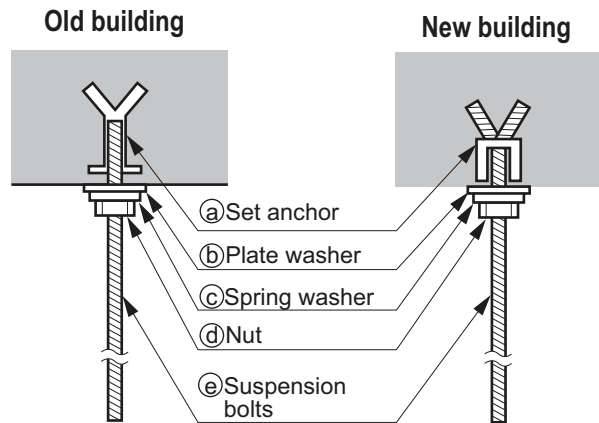
## 8. Installation



- The following parts are local purchasing.
  1. Hanging bolt - W 3/8 or M10
  2. Nut - W 3/8 or M10
  3. Spring washer - M10
  4. Plate washer - M10

**⚠ CAUTION**

- Tighten the nut and bolt to prevent the unit from falling.
- When mechanical connectors are reused indoors, sealing parts shall be renewed. (for R32)
- When flared joints are reused indoors, the flare part shall be re-fabricated. (for R32)



## 8. Installation

---

### 8.4 Connecting Cables between Indoor Unit and Outdoor Unit

#### 8.4.1 General instructions

- All field supplied parts and materials, electric works must conform to local codes. Use copper wire only.
- Follow the "**WIRING DIAGRAM**" attached to the unit body to wire the outdoor unit, indoor units and the remote controller.
- All wiring must be performed by an authorized electrician.
- A circuit breaker capable of shutting down the power supply to the entire system must be installed.

#### CAUTION

After the confirmation of the above conditions, prepare the wiring as follows:

- Never fail to have separate power specially for the air conditioner.
- Provide a circuit breaker switch between power source and the unit.
- Confirm the Specification of power source.
- Confirm that electrical capacity is sufficient.
- Be sure that the starting voltage is maintained at more than 90 percent of the rated voltage marked on the name plate.
- Confirm that the cable thickness is as specified in the power sources specification.  
(Particularly note the relation between cable length and thickness.)
- Do not install the leakage breaker in a place which is wet or moist.  
Water or moist may cause short circuit.
- The following troubles would be caused by voltage drop-down.
  - » Vibration of a magnetic switch, damage on the contact point there of, fuse breaking, disturbance to the normal function of a overload protection device.
  - » Proper starting power is not given to the compressor.

#### 8.4.2 Wiring connection

- Connect the wires to the terminals on the control board individually according to the outdoor unit connection.
- Ensure that the color of the wires of outdoor unit and the terminal No. are the same as those of indoor unit respectively.
- In case of the system with multiple indoor units, mark each indoor unit as unit A, unit B, etc and be sure the terminal board wiring to the outdoor unit and indoor units are properly matched. If wiring and piping between the outdoor unit and an indoor unit are mismatched, the system may cause a malfunction.

#### 8.4.3 Clamping of cables

1. Arrange 2 power cables on the control panel.
2. First, fasten the steel clamp with a screw to the inner boss of control panel.
3. For connecting of communication (transmission) cable, put the cable(or thinner cable) on the clamp and tighten it with a plastic clamp to the other boss of the control panel. In case that communication (transmission) cable is not needed to connect, fix the other side of the clamp with a screw strongly.

## 8. Installation

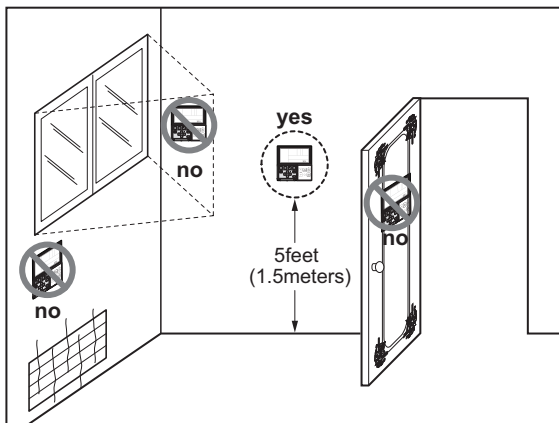
### ⚠ WARNING

- Make sure that the screws of the terminal are fixed tightly.
- The screw which fasten the wiring in the casing of electrical fittings are liable to come loose from vibrations to which the unit is subjected during the course of transportation. Check them and make sure that they are all tightly fastened. (If they are loose, it could give rise to burn-out of the wires.)
- Make sure to attach the sealing material or (field supplied) to hole of wiring to prevent the infiltration of foreign particle from outside. Otherwise a short-circuit may occur inside the electric parts box.
- When clamping the wires, be sure no pressure is applied to the wire connections by using the included clamping material to make appropriate clamps. Also, when wiring, make sure the cover on the electric parts box fits snugly by arranging the wires neatly and attaching the electric parts box cover firmly. When attaching the electric parts box cover, make sure no wires get caught in the edges. Pass wiring through the wiring through holes to prevent damage to them.
- Make sure the remote controller wiring, the wiring between the units, and other electrical wiring do not pass through the same locations outside of the unit, separating them properly, otherwise electrical noise (external static) could cause product malfunction.

### 8.4.4 Wired Remote Controller Installation (Optional)

Since the room temperature sensor is in the remote controller, the remote controller box should be installed in a place away from direct sunlight, high humidity and direct supply of cold air to maintain proper space temperature.

Install the remote controller about 5ft(1.5m) above the floor in an area with good air circulation at an average temperature.



#### • Do not install the remote controller where it can be affected by :

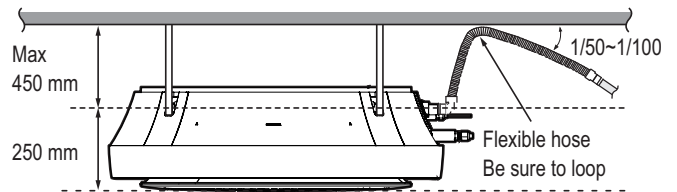
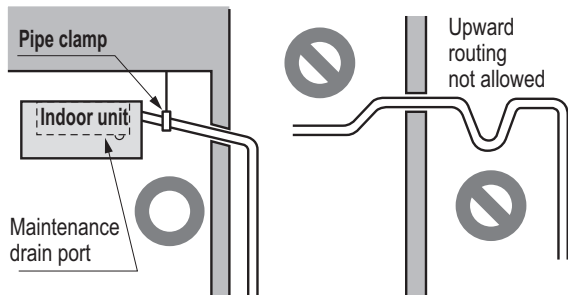
- Drafts, or dead spots behind doors and in corners.
- Hot or cold air from ducts.
- Radiant heat from sun or appliances.
- Concealed pipes and chimneys.
- Uncontrolled areas such as an outside wall behind the remote controller.
- This remote controller is equipped with a seven segment LED. display. For proper display of the remote controller LED's, the remote controller should be installed properly. (The standard height is 1.2~1.5 m from floor level.)

## 8. Installation

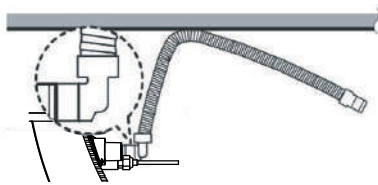
### 8.5 Indoor Unit Drain Piping

#### 8.5.1 Drain piping of indoor unit with drain pump

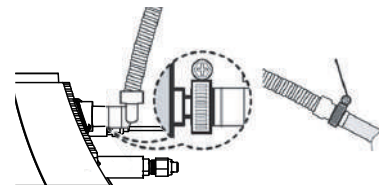
- Drain piping must have down-slope (1/50 to 1/100). Be sure not to provide up-and-down slope to prevent reversal flow.
- During drain piping connection, be careful not to exert force on the drain port on the indoor unit.
- The outside diameter of the drain connection on the indoor unit is 32 mm (1-1/4 inch).
  - Piping material: Use the Polyvinyl chloride pipe VP-25 and pipe fittings.



※ According to type of indoor unit, external appearance could be different.

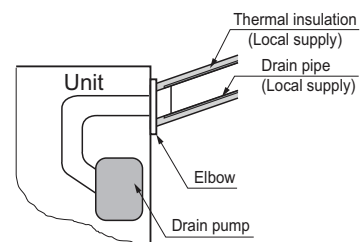
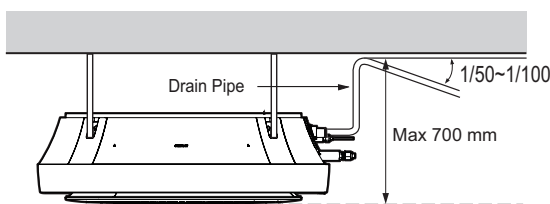


Place the elbow connection upwards and connect to the product.



Place the bolt of the clamp clamping part upwards and fix the connection part.

- Possible drain head height is upto 700 mm (27-6/19 inch). So the drain head should be installed below 700 mm (27-6/19 inch).
- Be sure to install heat insulation on the drain piping.
  - Heat insulation material: Polyethylene foam with thickness more than 8 mm (5/16 inch).



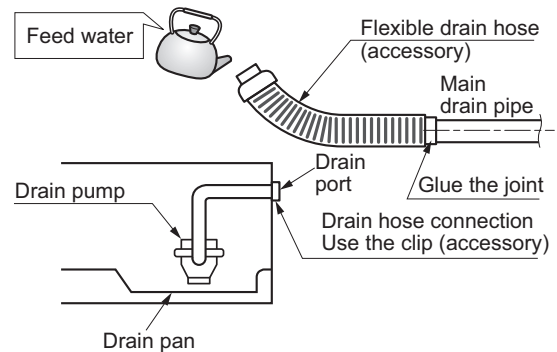
## 8. Installation

### 8.5.2 Method of Drainage test

#### ◆ Drainage test of indoor unit with drain pump

Use the following procedure to test the drain pump operation.

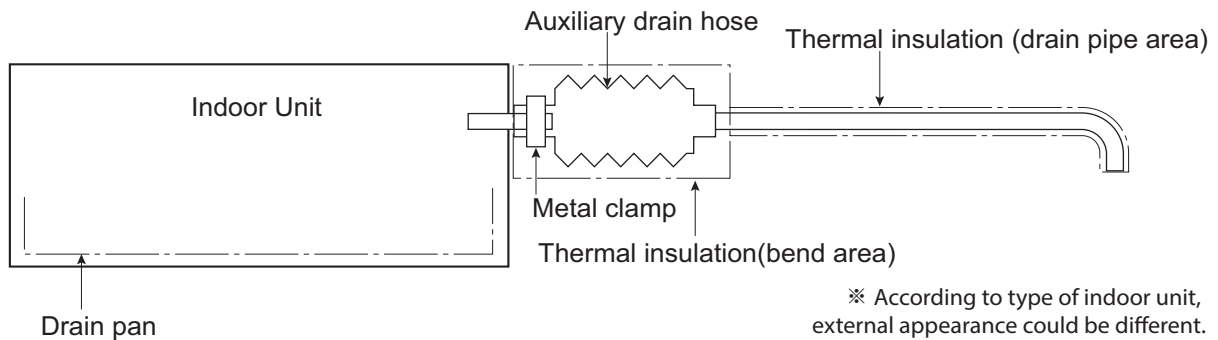
1. Connect the main drain pipe to the exterior and leave it provisionally until the test comes to an end.
2. Feed water to the flexible drain hose and check the piping for leakage.
3. Be sure to check the drain pump for normal operating and noise when electrical wiring is complete.
4. When the test is complete, connect the flexible drain hose to the drain port on the indoor unit.



※ According to type of indoor unit, external appearance could be different.

### 8.5.3 Connection of an auxiliary(flexible) drain hose

- To connect drain pipe to the drain socket on the indoor unit, an auxiliary flexible drain hose should be used. auxiliary flexible drain hose allows that the drain pipe can be connected to the socket without breaking by excessive strain.



※ According to type of indoor unit, external appearance could be different.

#### ⚠ CAUTION

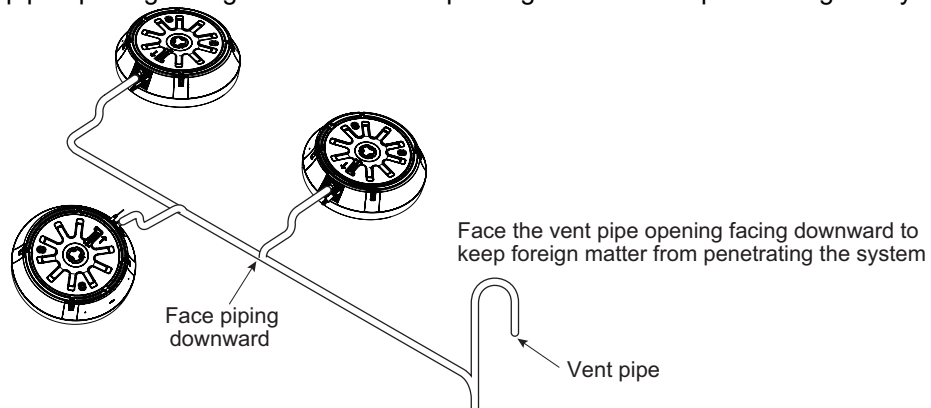
- The supplied flexible drain hose should not be curved, neither screwed. The curved or screwed hose may cause a leakage of water.
- It is need to insulate the auxiliary drain hose with thermal insulation material.



## 8. Installation

### 8.5.4 Ground drain piping

- It is standard work practice to make connections to the main pipe from above. The pipe down from the combination should be as large as possible.
- The pipe work should be kept as short as possible and the number of indoor units per group kept to a minimum.
- Face the vent pipe opening facing downward to keep foreign matter from penetrating the system.



# **MULTI/SINGLE**

Indoor unit

## **Ceiling Concealed Duct - Middle Static Pressure**

- 1.List of Functions**
- 2.Specifications**
- 3.Dimensions**
- 4.Piping Diagrams**
- 5.Wiring Diagrams**
- 6.Fan Characteristic**
- 7.Sound Levels**
- 8.Installation**

# 1. List of functions

## ◆ List of function

Category	Functions	ZBNW18GM1A1 [CM18F N10] ZBNW24GM1A1 [CM24F N10] ZBNW30GM1A1 [UM30F N10] ZBNW36GM2A1 [UM36F N20] ZBNW42GM2A1 [UM42F N20] ZBNW48GM3A1 [UM48F N30] ZBNW60GM3A1 [UM60F N30]
Air Flow	Air Supply Outlet	1
	Airflow Steps (fan/cool/heat)	3 / 3 / 3
	Fan Speed Auto*	X
	Power Cool/Heat	X / X
	Dry Operation	O
Air Purification	Air Purify	Accessory
	UV-C	Accessory
	Pre-Filter	O
Reliability	Hot Start	O
	Self Diagnosis	O
Convenience	Auto Mode	O
	Auto Dry Operation	O
	Auto Restart	O
	Child Lock*	O
	Group Control*	O
	Sleep Timer	O
	Turn On/Off Reservation	O
	Schedule*	O
	Two Thermistor Control*	O
External On/Off	O	
Installation	Drain Pump	Accessory
	Auto.E.S.P. Control*	O
	E.S.P. Setting	O
Special Functions	Wi-Fi	Accessory

### Note

- O : Applied, X : Not Applied, - : Unconfirmed or irrelevant  
Embedded : A kit is provided by default for using this function when the product is manufactured.  
Accessory : Ordered and purchased separately the accessory package referring to the model name provided and install at field. Accessory line-ups varies by region, so check your local catalogue or local sales material.
- Some functions can be limited by remote controller.
- In case of cassette type indoor units, Air Purification Kit and Auto Elevation Grille functions are not applicable at the same time.
- 'Auto Mode' varies depending on the outdoor unit type.
  - Auto Change Over(Single Heat Pump Outdoor Unit)
  - Auto Mode Select(Multi Heat Pump Outdoor Unit)
  - Auto Intensity Control(Cooling Only Outdoor Unit)
- \* : These functions need to connect the wired remote controller.
- \*\* : This functions need to connect to the Standard III wired remote controller.

# 1. List of functions

## ◆ Accessory Compatibility List

Category		Product	Remark	ZBNW18GM1A1 [CM18F N10] ZBNW24GM1A1 [CM24F N10] ZBNW30GM1A1 [UM30F N10] ZBNW36GM2A1 [UM36F N20] ZBNW42GM2A1 [UM42F N20] ZBNW48GM3A1 [UM48F N30] ZBNW60GM3A1 [UM60F N30]
Wireless Remote Controller		PQWRHQ0FDB	Heat Pump	O (Embedded)
		PWLSSB21H	Heat Pump	O
Wired Remote Controller	Simple	PQRCVCL0Q(W)	Simple	O
		PQRCHCA0Q(W)	for Hotel	O
	Standard	PREMTB001	Standard II (White)	O
		PREMTBB01	Standard II (Black)	O
		PREMTB100	Standard III (White)	O
		PREMTBB10	Standard III (Black)	O
	Premium	PREMTA000(A/B)	Premium	O
IR Receiver		PWLRVN000	-	O
Dry contact	Simple Contact	PDRYCB000	Simple Dry Contact	O
	Communication type	PDRYCB400	2 Points Dry Contact (For Setback)	O
		PDRYCB300	For 3rd Party Thermostat	O
		PDRYCB320	For 3rd Party Thermostat (Analog Input)	O
		PDRYCB500	For Modbus	O
Gateway	IDU PI485	PHNFP14A0	Without case	X
		PSNFP14A0	With case	X
ETC	Remote temperature sensor	PQRSTA0	-	O
	Zone controller	ABZCA	-	O
	CO <sub>2</sub> Sensor	PES-C0RV0	For ERV, ERV DX Indoor units	X
	Group control wire	PZCWRCG3	0.25m	O
	2-Remo Control Wire	PZCWRC2	0.25m	O
	Extension Wire	PZCWRC1	10m	O
	Wi-Fi Controller*	PWFMDD200	-	O
	Human detecting sensor	PTVSA00	-	X
	Drain Pump	ABDPG	-	O
	UVnano Filter Box Kit	PBM13M1UA0	For M1 Chassis	O
		PBM13M2UA0	For M2 Chassis	O
		PBM13M3UA0	For M3 Chassis	O
	High Efficiency Filter (Main Filter of Filter Box)	FBM13M1UA0	For M1 UVnano Filter Box	O
FBM13M2UA0		For M2 UVnano Filter Box	O	
FBM13U3UA0		For M3 UVnano Filter Box	O	

### Note

- O: Possible, X: Impossible, -: Not applicable, Embedded: Included with product.
- \*: Some advanced functions controlled by individual controller cannot be operated.
- \*\*: It could not be operated some functions.
- \*\*\*: Selecting a wireless remote controller in case of ducted type indoor units requires either a connection to the wired remote controller (Standard II) or an IR receiver accessory to be connected to the duct in order to receive the signal.
- If you need more detail, please refer to the **BECON** PDB or the manual of product. (<http://partner.lge.com/global> : Home> Doc.Library> Product > Control(BECON))
- Do not install both the IR Receiver and Wired Remote Controller. This may cause malfunctions.

## 2. Specifications

Model Name		Unit	ZBNW18GM1A1 [CM18F N10]	ZBNW24GM1A1 [CM24F N10]
Power Supply		V, Ø, Hz	220-240, 1, 50	220-240, 1, 50
			220, 1, 60	220, 1, 60
Capacity(Nominal)	Cooling	kW	5.0	6.8
	Heating	kW	5.8	7.5
Power Input		H / M / L	W	150 / 130 / 110
Running Current		H / M / L	A	0.85 / 0.76 / 0.67
		Max.	A	1.60
Exterior	Color	-	Steel Gray	Steel Gray
Dimensions		W x H x D	mm	900 × 270 × 700
Net Weight			kg	24.0
Shipping Weight			kg	29.3
Heat Exchanger	Rows x Columns x FPI			2 x 13 x 18
	Face Area		m <sup>2</sup>	0.21
Fan Type			Sirocco Fan	Sirocco Fan
Air Flow Rate		H / M / L	m <sup>3</sup> /min	16.5 / 14.5 / 13.0
External static pressure	High Mode_Factory Set		Pa (mmAq)	58.8 (6)
Fan Motor	Type			BLDC
	Drive			Internal
	Output		W x No.	136.5 x 1
Safety Device			Fuse / Thermal Protector for Fan Motor	
Piping Connections	Liquid Side		mm (inch)	Ø 6.35 (1/4)
	Gas Side		mm (inch)	Ø 12.7 (1/2)
	Drain Pipe (Natural Drainage)	O.D. / I.D.	mm	Ø 25.4 / 19.4
	Drain Pipe (Using Drain Pump)	O.D. / I.D.	mm	Ø 32 / 26
Sound Pressure Level	Cooling	H / M / L	dB(A)	34 / 32 / 30
	Heating	H / M / L	dB(A)	34 / 32 / 30
Sound Power Level	Cooling	Rated	dB(A)	59
	Heating	Rated	dB(A)	-
Power and Communication Cable (included Earth)			No. x mm <sup>2</sup>	4C x 0.75
<b>Note</b>				
1. Due to our policy of innovation some specifications may be changed without notification.				
2. Wiring cable size must comply with the applicable local and national code. And "Electric characteristics" chapter should be considered for electrical work and design. Especially the power cable and circuit breaker should be selected in accordance with that.				
3. Sound Level Values are measured at Noise Measuring chamber accordance with standard. Therefore, these values depend on the ambient conditions and values are normally higher in actual operation(Sound Pressure : LG Internal standard, Sound Power : EN 12102 (ISO 3741).				
4. Capacities are net capacities and based on the following conditions. Refer to the Outdoor Unit Specifications for calculating the real capacity.				
• Cooling : Indoor Ambient Temp. 27°CDB / 19°CWB, Outdoor Ambient Temp. 35°CDB / 24°CWB				
• Heating : Indoor Ambient Temp. 20°CDB / 15°CWB, Outdoor Ambient Temp. 7°CDB / 6°CWB				
• Interconnected Pipe is standard length and difference of Elevation (Outdoor ~ Indoor Unit) is 0m.				

## 2. Specifications

Model Name		Unit		ZBNW30GM1A1 [UM30F N10]
Power Supply		V, Ø, Hz		220-240, 1, 50
				220, 1, 60
Capacity(Nominal)	Cooling	kW		7.8
	Heating	kW		9.0
Power Input		H / M / L	W	220 / 200 / 180
Running Current		H / M / L	A	1.15 / 1.06 / 0.98
		Max.	A	1.60
Exterior	Color		-	Steel Gray
Dimensions		W x H x D	mm	900 × 270 × 700
Net Weight				kg
Shipping Weight				kg
Heat Exchanger	Rows x Columns x FPI		3 x 13 x 18	
	Face Area		m <sup>2</sup>	0.21
Fan Type				Sirocco Fan
Air Flow Rate		H / M / L	m <sup>3</sup> /min	22.0 / 20.0 / 18.0
External static pressure	High Mode_Factory Set		Pa (mmAq)	58.8 (6)
Fan Motor	Type		BLDC	
	Drive		Internal	
	Output		W x No.	136.5 x 1
Safety Device				Fuse / Thermal Protector for Fan Motor
Piping Connections	Liquid Side		mm (inch)	Ø 9.52 (3/8)
	Gas Side		mm (inch)	Ø 15.88 (5/8)
	Drain Pipe (Natural Drainage)	O.D. / I.D.	mm	Ø 25.4 / 19.4
	Drain Pipe (Using Drain Pump)	O.D. / I.D.	mm	Ø 32 / 26
Sound Pressure Level	Cooling	H / M / L	dB(A)	37 / 35 / 34
	Heating	H / M / L	dB(A)	37 / 35 / 34
Sound Power Level	Cooling	Rated	dB(A)	62
	Heating	Rated	dB(A)	-
Power and Communication Cable (included Earth)		No. x mm <sup>2</sup>		4C x 0.75
<b>Note</b>				
1. Due to our policy of innovation some specifications may be changed without notification.				
2. Wiring cable size must comply with the applicable local and national code. And "Electric characteristics" chapter should be considered for electrical work and design. Especially the power cable and circuit breaker should be selected in accordance with that.				
3. Sound Level Values are measured at Noise Measuring chamber accordance with standard. Therefore, these values depend on the ambient conditions and values are normally higher in actual operation(Sound Pressure : LG Internal standard, Sound Power : EN 12102 (ISO 3741).				
4. Capacities are net capacities and based on the following conditions. Refer to the Outdoor Unit Specifications for calculating the real capacity.				
• Cooling : Indoor Ambient Temp. 27°CDB / 19°CWB, Outdoor Ambient Temp. 35°CDB / 24°CWB				
• Heating : Indoor Ambient Temp. 20°CDB / 15°CWB, Outdoor Ambient Temp. 7°CDB / 6°CWB				
• Interconnected Pipe is standard length and difference of Elevation (Outdoor ~ Indoor Unit) is 0m.				

## 2. Specifications

Model Name			Unit	ZBNW36GM2A1 [UM36F N20]	ZBNW42GM2A1 [UM42F N20]
Power Supply			V, Ø, Hz	220-240, 1, 50	220-240, 1, 50
				220, 1, 60	220, 1, 60
Capacity(Nominal)	Cooling		kW	9.5	12.0
	Heating		kW	10.8	13.5
Power Input		H / M / L	W	183 / 134 / 101	266 / 200 / 145
Running Current		H / M / L	A	0.79 / 0.58 / 0.43	1.15 / 0.86 / 0.63
		Max.	A	2.30	2.30
Exterior	Color		-	Steel Gray	Steel Gray
Dimensions		W x H x D	mm	1,250 x 270 x 700	1,250 x 270 x 700
Net Weight			kg	36.5	36.5
Shipping Weight			kg	42.0	42.0
Heat Exchanger	Rows x Columns x FPI			3 x 13 x 18	3 x 13 x 18
	Face Area		m <sup>2</sup>	0.26	0.26
Fan Type				Sirocco Fan	Sirocco Fan
Air Flow Rate		H / M / L	m <sup>3</sup> /min	32 / 28 / 24	38 / 33 / 28
External static pressure	High Mode_Factory Set		Pa (mmAq)	58.8 (6)	58.8 (6)
Fan Motor	Type			BLDC	BLDC
	Drive			Internal	Internal
	Output		W x No.	350 x 1	350 x 1
Safety Device				Fuse / Thermal Protector for Fan Motor	
Piping Connections	Liquid Side		mm (inch)	Ø 9.52 (3/8)	Ø 9.52 (3/8)
	Gas Side		mm (inch)	Ø 15.88 (5/8)	Ø 15.88 (5/8)
	Drain Pipe (Natural Drainage)	O.D. / I.D.	mm	Ø 25.4 / 19.4	Ø 25.4 / 19.4
	Drain Pipe (Using Drain Pump)	O.D. / I.D.	mm	Ø 32 / 26	Ø 32 / 26
Sound Pressure Level	Cooling	H / M / L	dB(A)	36 / 34 / 33	36 / 34 / 33
	Heating	H / M / L	dB(A)	36 / 34 / 33	36 / 34 / 33
Sound Power Level	Cooling	Rated	dB(A)	60	62
	Heating	Rated	dB(A)	-	-
Power and Communication Cable (included Earth)			No. x mm <sup>2</sup>	4C x 0.75	4C x 0.75
<b>Note</b>					
1. Due to our policy of innovation some specifications may be changed without notification.					
2. Wiring cable size must comply with the applicable local and national code. And "Electric characteristics" chapter should be considered for electrical work and design. Especially the power cable and circuit breaker should be selected in accordance with that.					
3. Sound Level Values are measured at Noise Measuring chamber accordance with standard. Therefore, these values depend on the ambient conditions and values are normally higher in actual operation(Sound Pressure : LG Internal standard, Sound Power : EN 12102 (ISO 3741).					
4. Capacities are net capacities and based on the following conditions. Refer to the Outdoor Unit Specifications for calculating the real capacity.					
• Cooling : Indoor Ambient Temp. 27°CDB / 19°CWB, Outdoor Ambient Temp. 35°CDB / 24°CWB					
• Heating : Indoor Ambient Temp. 20°CDB / 15°CWB, Outdoor Ambient Temp. 7°CDB / 6°CWB					
• Interconnected Pipe is standard length and difference of Elevation (Outdoor ~ Indoor Unit) is 0m.					

## 2. Specifications

Model Name			Unit	ZBNW48GM3A1 [UM48F N30]	ZBNW60GM3A1 [UM60F N30]
Power Supply			V, Ø, Hz	220-240, 1, 50	220-240, 1, 50
				220, 1, 60	220, 1, 60
Capacity(Nominal)	Cooling		kW	13.4	14.6
	Heating		kW	15.5	16.8
Power Input		H / M / L	W	242 / 159 / 124	342 / 287 / 242
Running Current		H / M / L	A	1.05 / 0.69 / 0.53	1.48 / 1.24 / 1.05
		Max.	A	2.50	2.50
Exterior	Color		-	Steel Gray	Steel Gray
Dimensions		W x H x D	mm	1,250 × 360 × 700	1,250 × 360 × 700
Net Weight			kg	41.0	41.0
Shipping Weight			kg	47.2	47.2
Heat Exchanger	Rows x Columns x FPI			3 x 16 x 18	3 x 16 x 18
	Face Area		m <sup>2</sup>	0.32	0.32
Fan Type				Sirocco Fan	Sirocco Fan
Air Flow Rate		H / M / L	m <sup>3</sup> /min	40 / 34 / 28	50 / 45 / 40
External static pressure	High Mode_Factory Set		Pa (mmAq)	58.8 (6)	58.8 (6)
Fan Motor	Type			BLDC	BLDC
	Drive			Internal	Internal
	Output		W x No.	400 x 1	400 x 1
Safety Device				Fuse / Thermal Protector for Fan Motor	
Piping Connections	Liquid Side		mm (inch)	Ø 9.52 (3/8)	Ø 9.52 (3/8)
	Gas Side		mm (inch)	Ø 15.88 (5/8)	Ø 15.88 (5/8)
	Drain Pipe (Natural Drainage)	O.D. / I.D.	mm	Ø 25.4 / 19.4	Ø 25.4 / 19.4
	Drain Pipe (Using Drain Pump)	O.D. / I.D.	mm	Ø 32 / 26	Ø 32 / 26
Sound Pressure Level	Cooling	H / M / L	dB(A)	39 / 38 / 36	42 / 40 / 39
	Heating	H / M / L	dB(A)	39 / 38 / 36	42 / 40 / 39
Sound Power Level	Cooling	Rated	dB(A)	65	66
	Heating	Rated	dB(A)	65	66
Power and Communication Cable (included Earth)			No. x mm <sup>2</sup>	4C x 0.75	4C x 0.75

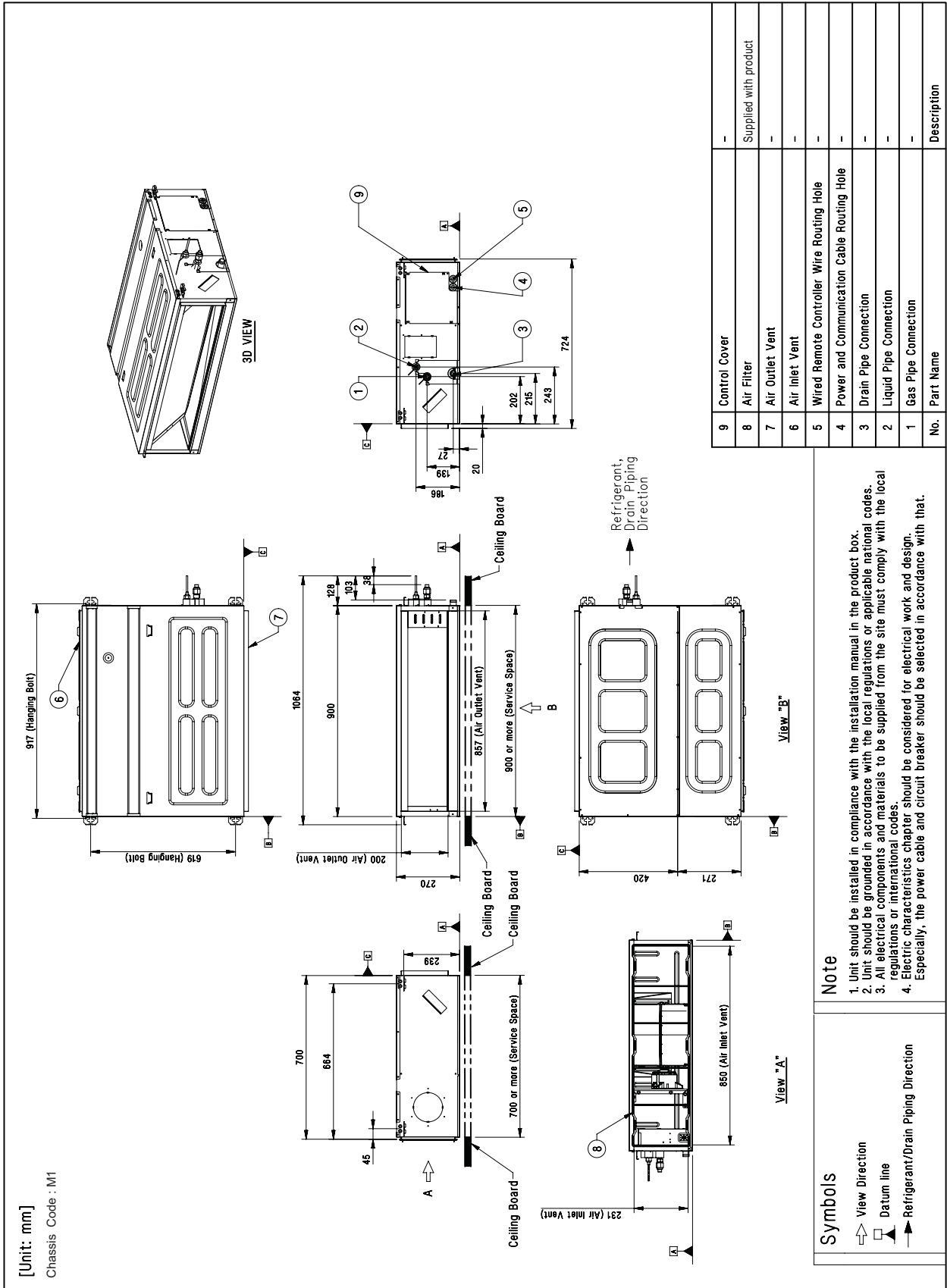
### Note

- Due to our policy of innovation some specifications may be changed without notification.
- Wiring cable size must comply with the applicable local and national code. And "Electric characteristics" chapter should be considered for electrical work and design. Especially the power cable and circuit breaker should be selected in accordance with that.
- Sound Level Values are measured at Noise Measuring chamber accordance with standard. Therefore, these values depend on the ambient conditions and values are normally higher in actual operation(Sound Pressure : LG Internal standard, Sound Power : EN 12102 (ISO 3741).
- Capacities are net capacities and based on the following conditions. Refer to the Outdoor Unit Specifications for calculating the real capacity.
  - Cooling : Indoor Ambient Temp. 27°CDB / 19°CWB, Outdoor Ambient Temp. 35°CDB / 24°CWB
  - Heating : Indoor Ambient Temp. 20°CDB / 15°CWB, Outdoor Ambient Temp. 7°CDB / 6°CWB
  - Interconnected Pipe is standard length and difference of Elevation (Outdoor ~ Indoor Unit) is 0m.



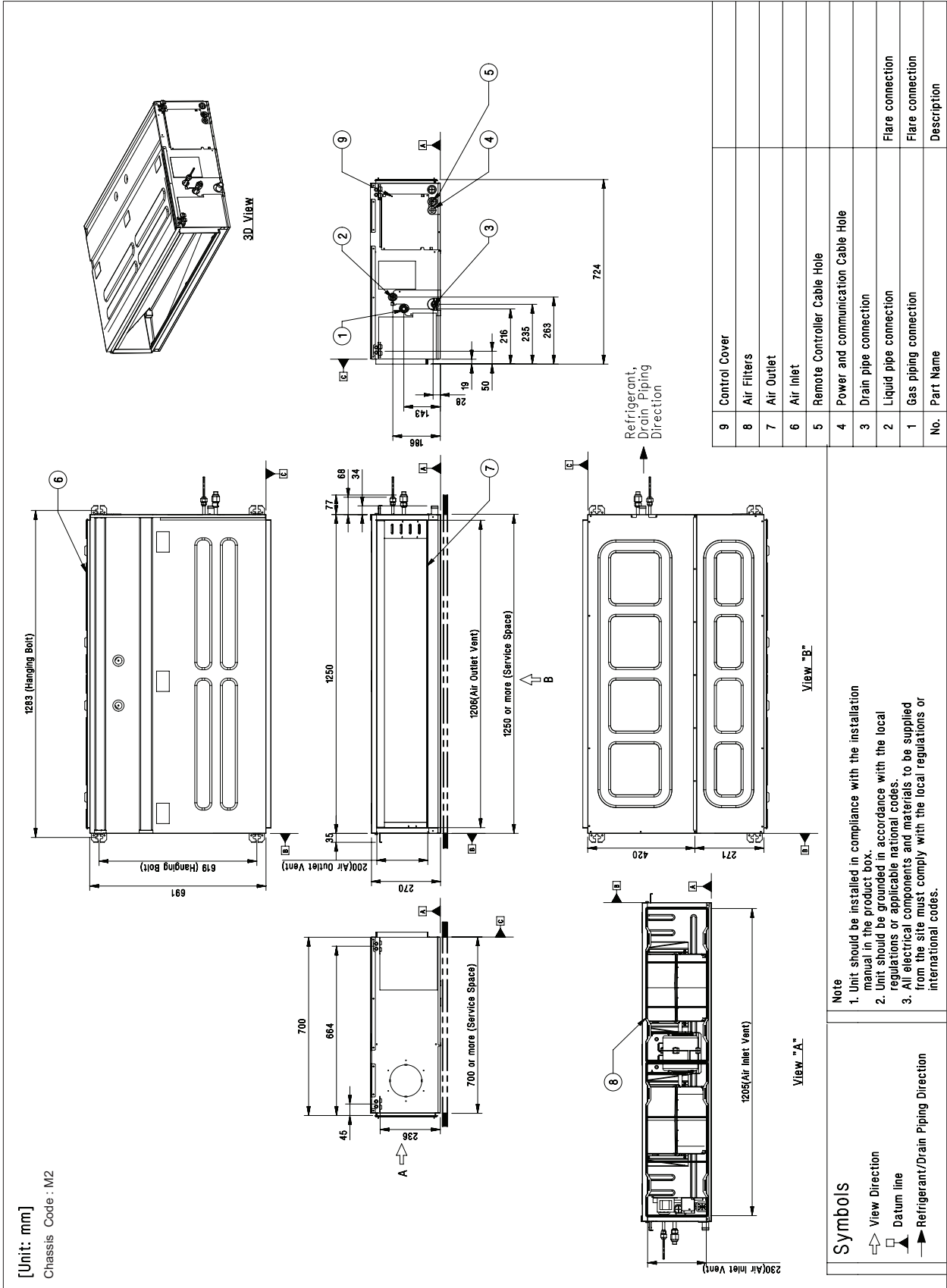
### 3. Dimensions

**ZBNW18GM1A1 [CM18F N10] / ZBNW24GM1A1 [CM24F N10] / ZBNW30GM1A1 [UM30F N10]**



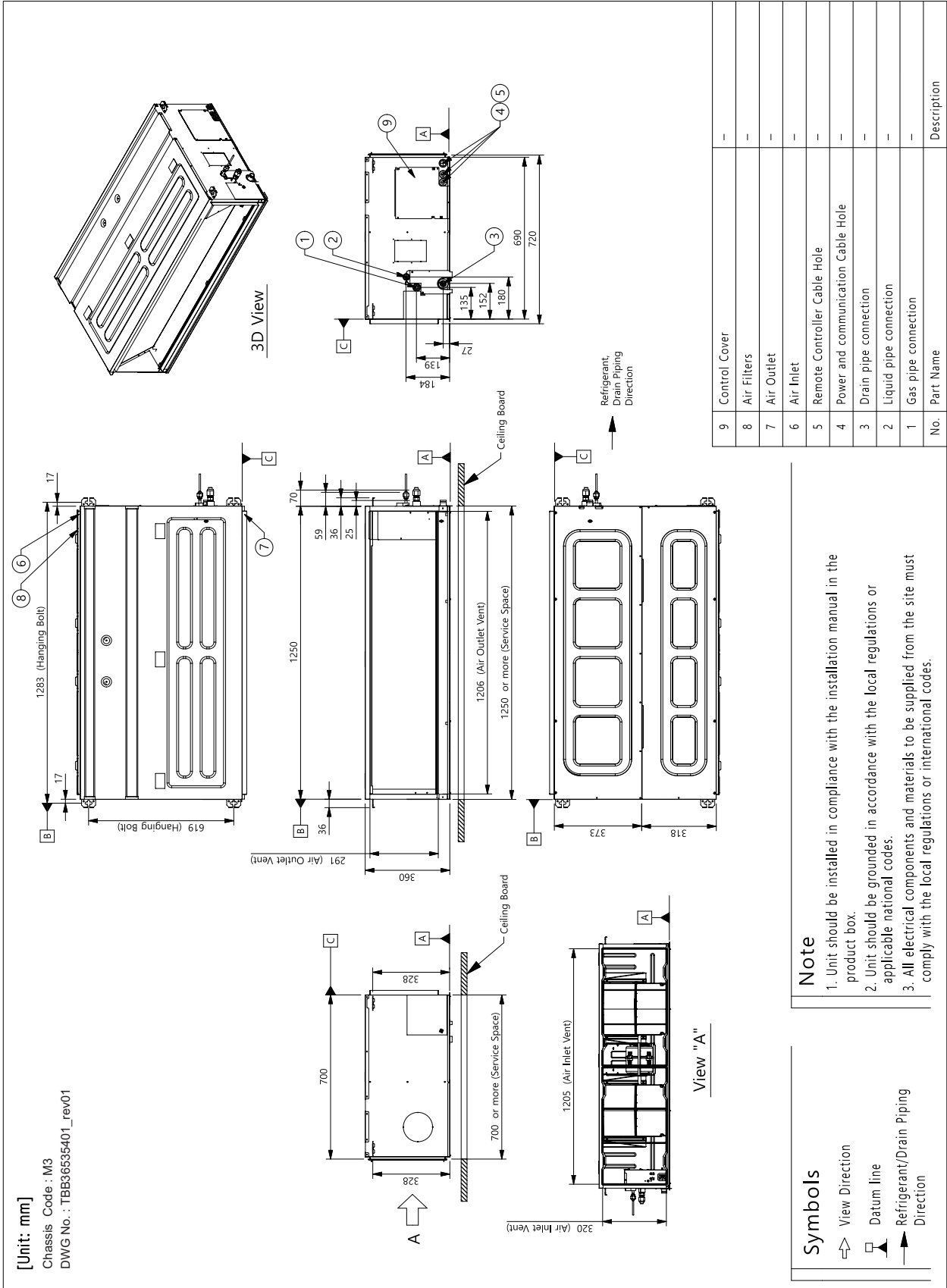
# 3. Dimensions

## ZBNW36GM2A1 [UM36F N20] / ZBNW42GM2A1 [UM42F N20]



### 3. Dimensions

#### ZBNW48GM3A1 [UM48F N30] / ZBNW60GM3A1 [UM60F N30]



**Note**

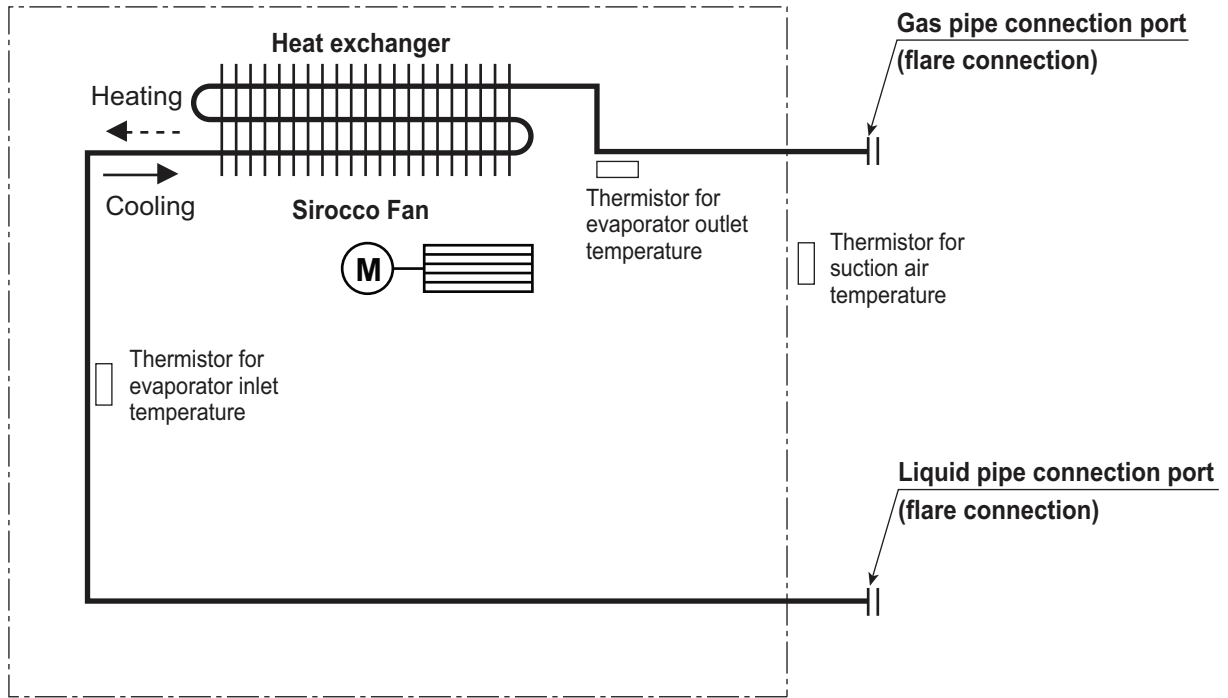
- Unit should be installed in compliance with the installation manual in the product box.
- Unit should be grounded in accordance with the local regulations or applicable national codes.
- All electrical components and materials to be supplied from the site must comply with the local regulations or international codes.

**Symbols**

- View Direction
- Datum line
- Refrigerant/Drain Piping Direction

## 4. Piping Diagrams

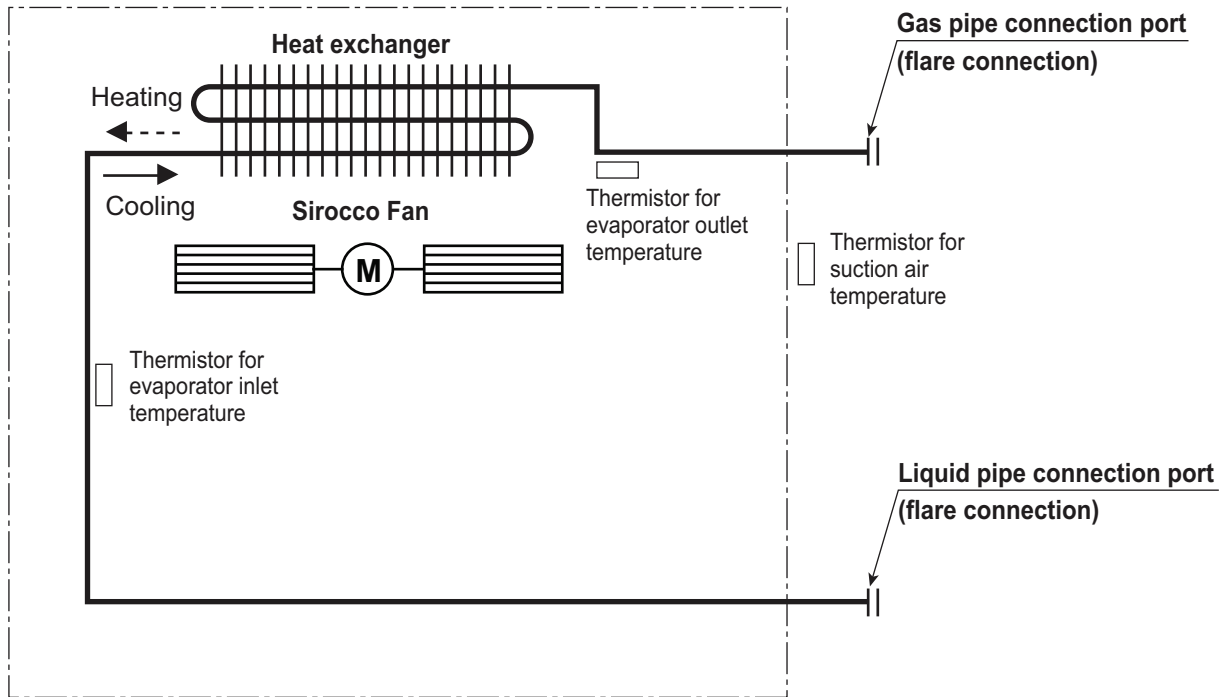
■ ZBNW18GM1A1 [CM18F N10] / ZBNW24GM1A1 [CM24F N10]  
/ ZBNW30GM1A1 [UM30F N10]



Description	PCB Connector
Thermistor for suction air temperature	CN-ROOM
Thermistor for evaporator inlet temperature	CN-PIPE_IN
Thermistor for evaporator outlet temperature	CN-PIPE_OUT

# 4. Piping Diagrams

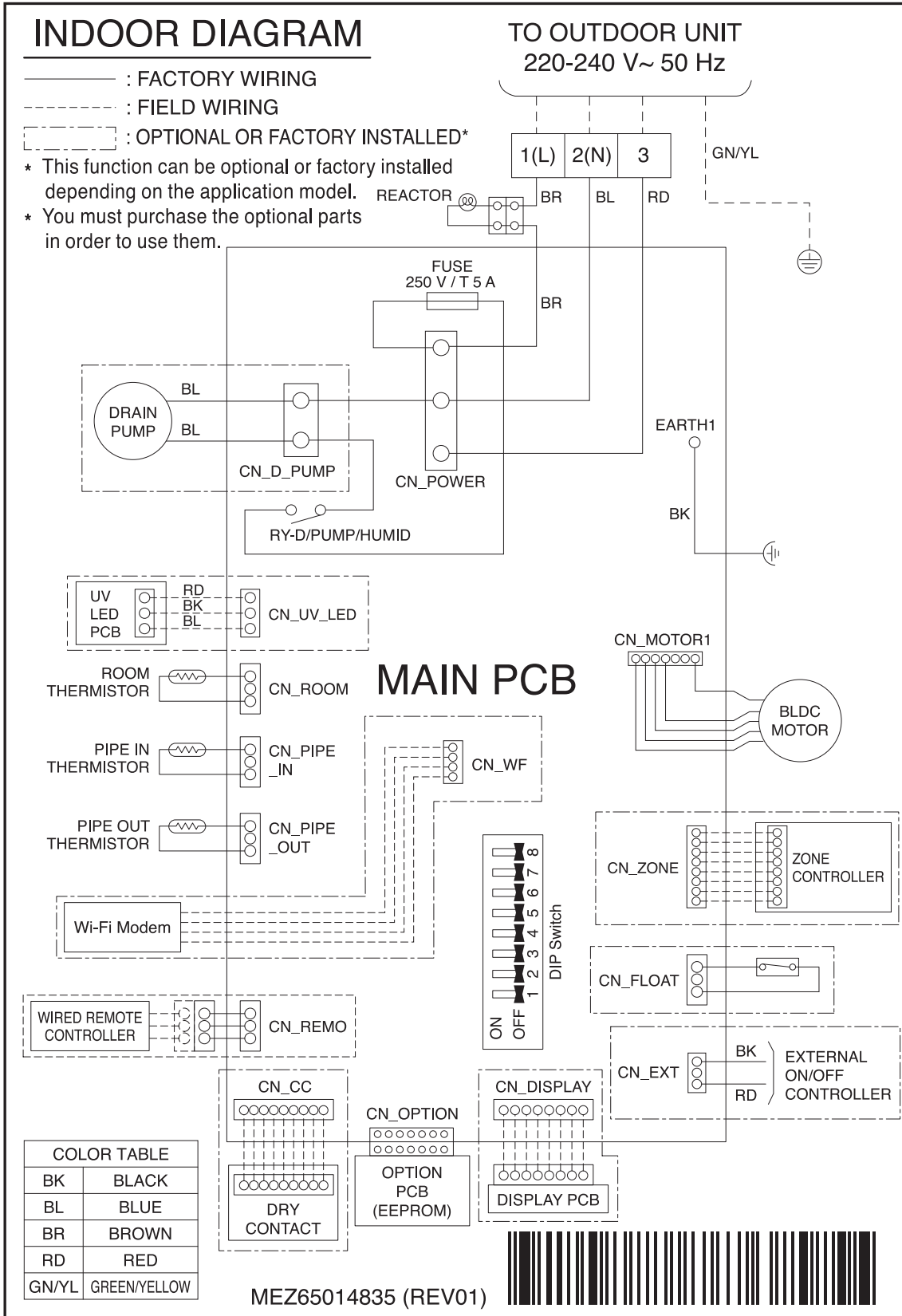
- ZBNW36GM2A1 [UM36F N20] / ZBNW42GM2A1 [UM42F N20]
- ZBNW48GM3A1 [UM48F N30] / ZBNW60GM3A1 [UM60F N30]



Description	PCB Connector
Thermistor for suction air temperature	CN-ROOM
Thermistor for evaporator inlet temperature	CN-PIPE_IN
Thermistor for evaporator outlet temperature	CN-PIPE_OUT

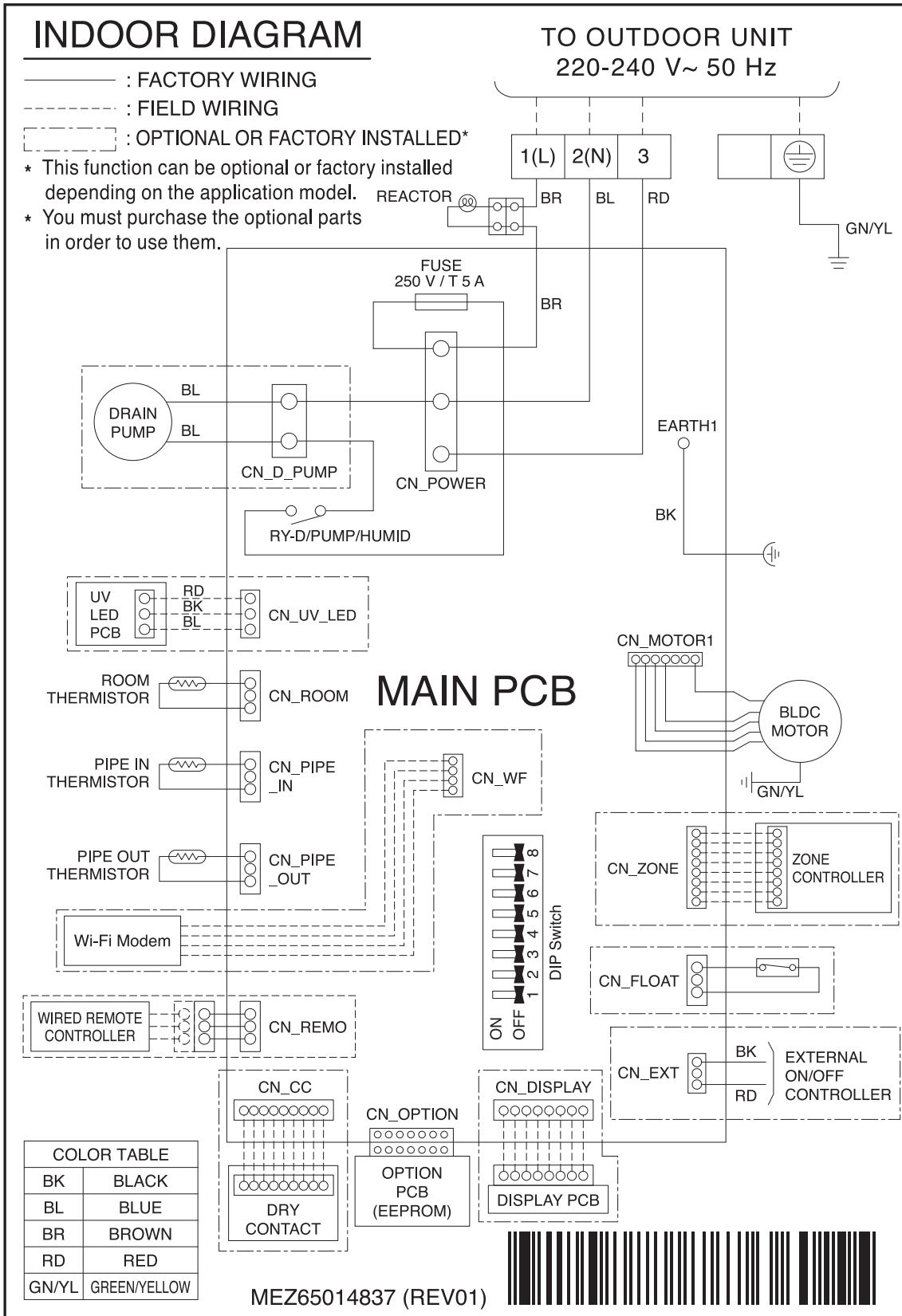
# 5. Wiring Diagrams

## ZBNW18GM1A1 [CM18F N10] / ZBNW24GM1A1 [CM24F N10] ZBNW30GM1A1 [UM30F N10]



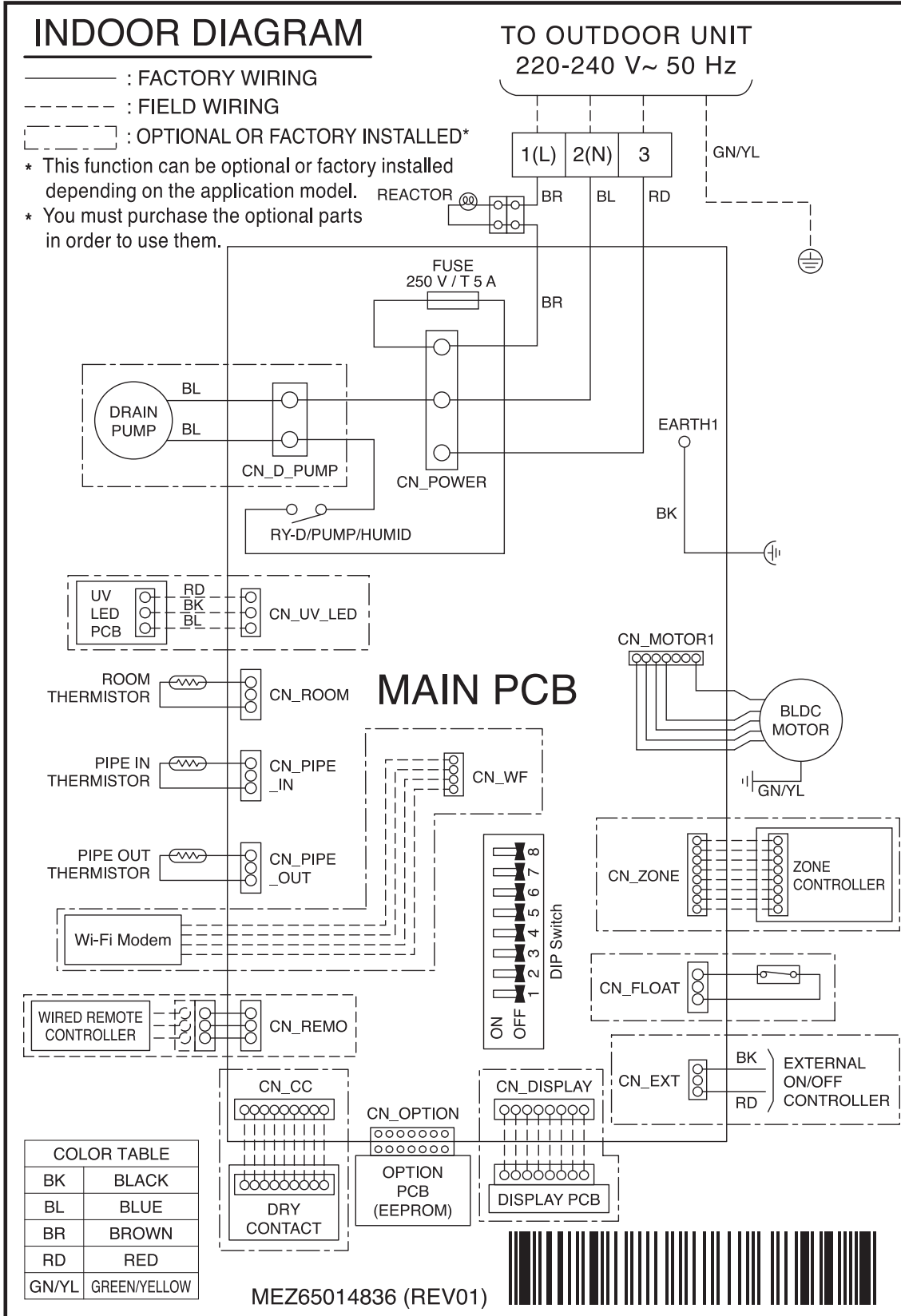
# 5. Wiring Diagrams

## ZBNW36GM2A1 [UM36F N20] / ZBNW42GM2A1 [UM42F N20]



# 5. Wiring Diagrams

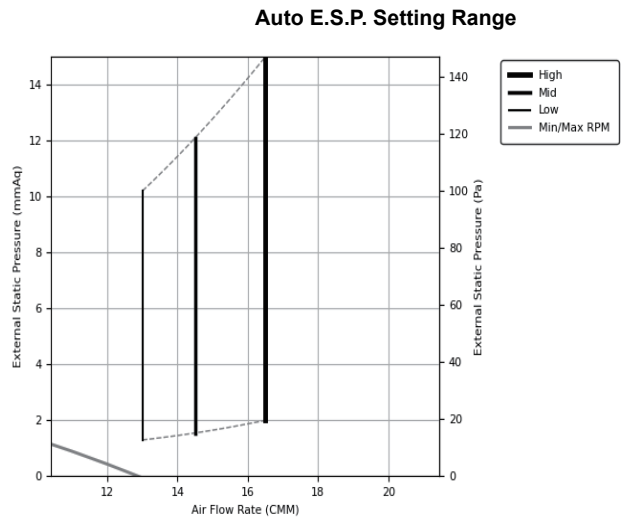
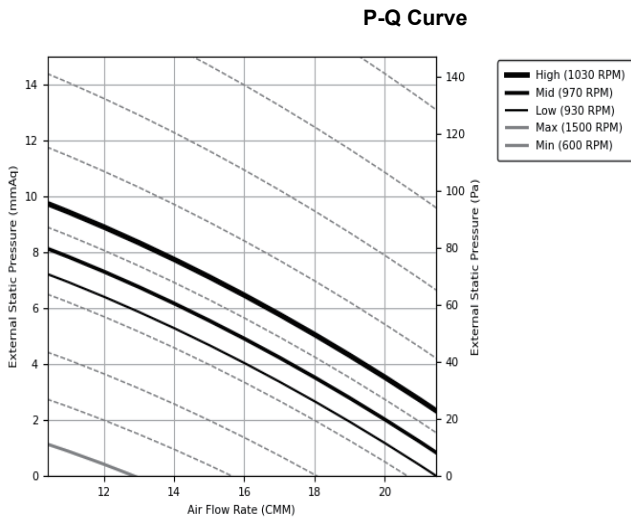
## ZBNW48GM3A1 [UM48F N30] / ZBNW60GM3A1 [UM60F N30]



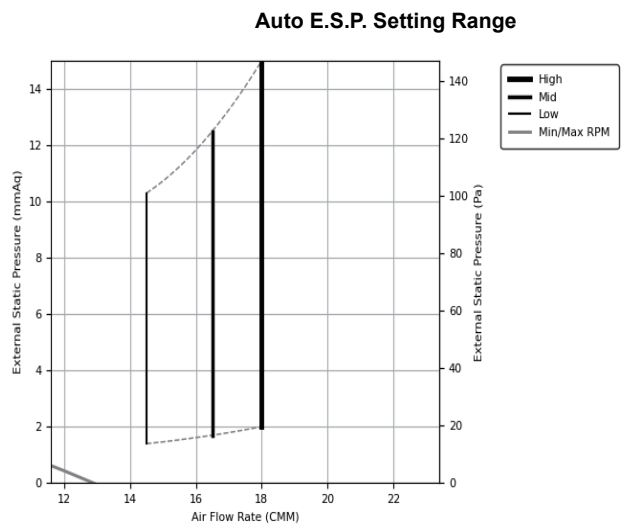
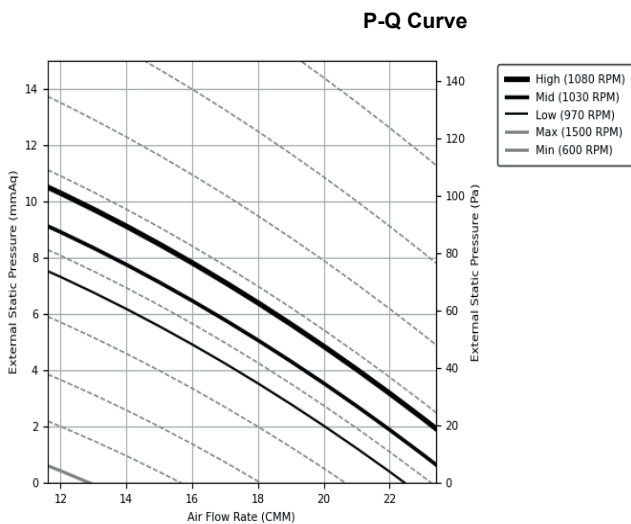


# 6. Fan Characteristic

## Model : ZBNW18GM1A1



## Model : ZBNW24GM1A1

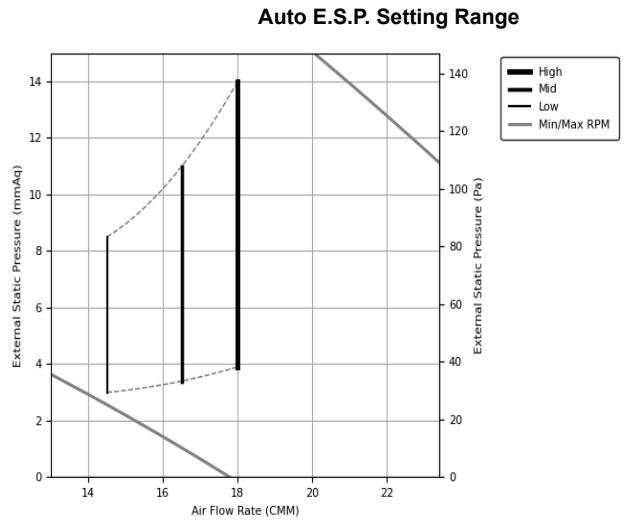
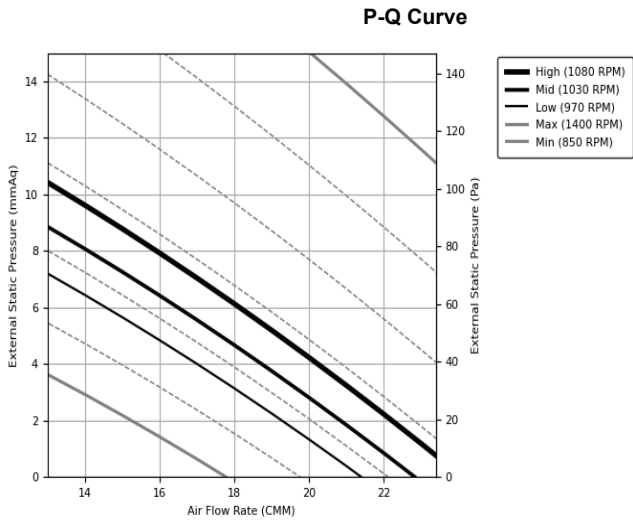


### Note

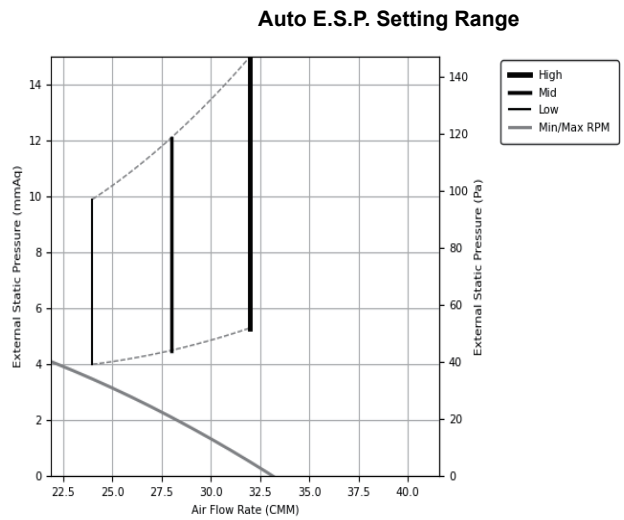
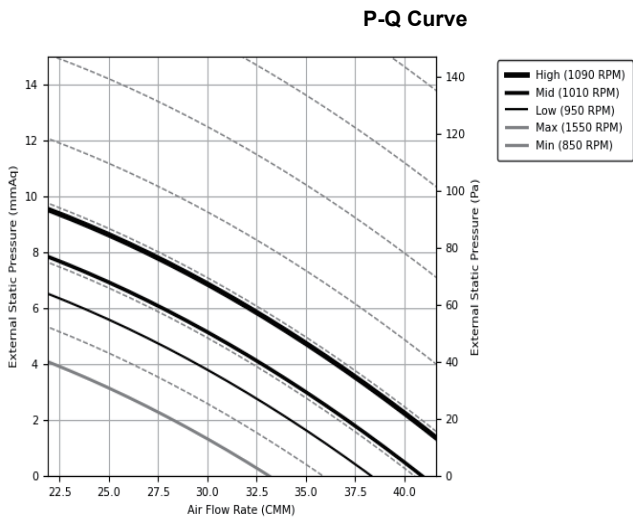
1. Each dash line represents for each 100 RPM step
2. If operation range is out of auto E.S.P setting range, air flow rate should be adjusted manually by wired remote controller. (ESP Set Value = RPM / 10) For more information, please see the installation manual.
3. The above P-Q Curve shows available E.S.P. range. If the E.S.P value is out of min/max RPM at desired air flow, indoor components could be failed and performance would be decreased.
4. Automatic constant air volume is a function that controls air volume automatically when installation, and the air volume is not set automatically during operation.

# 6. Fan Characteristic

## Model : ZBNW30GM1A1



## Model : ZBNW36GM2A1

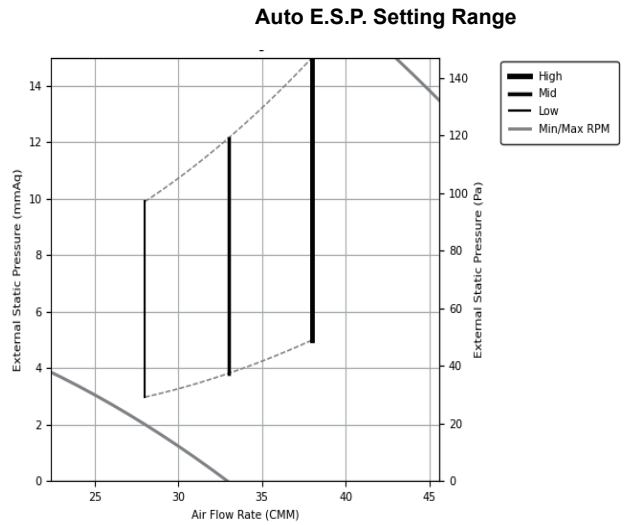
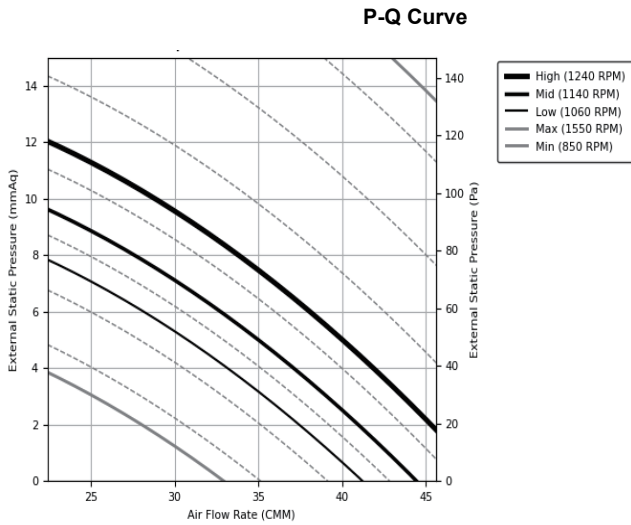


### Note

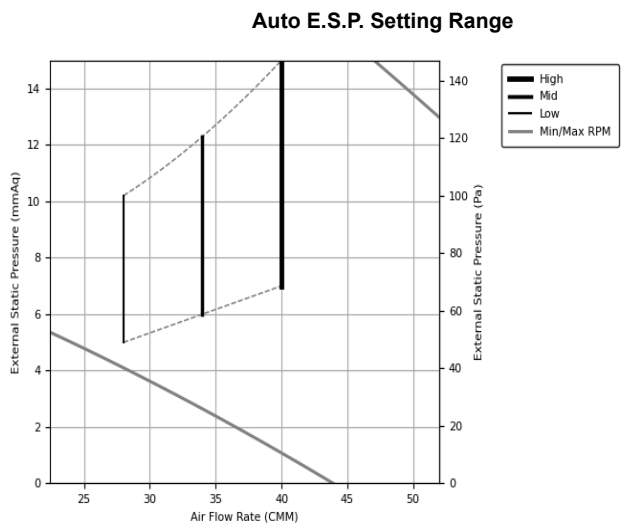
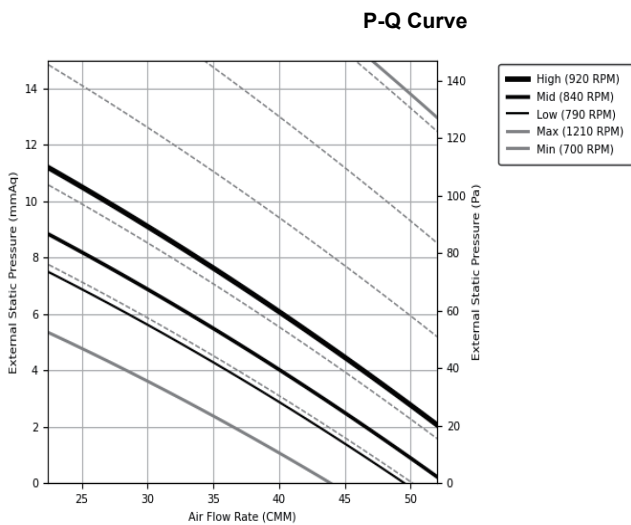
1. Each dash line represents for each 100 RPM step
2. If operation range is out of auto E.S.P setting range, air flow rate should be adjusted manually by wired remote controller. (ESP Set Value = RPM / 10) For more information, please see the installation manual.
3. The above P-Q Curve shows available E.S.P. range. If the E.S.P value is out of min/max RPM at desired air flow, indoor components could be failed and performance would be decreased.
4. Automatic constant air volume is a function that controls air volume automatically when installation, and the air volume is not set automatically during operation.

# 6. Fan Characteristic

## Model : ZBNW42GM2A1



## Model : ZBNW48GM3A1

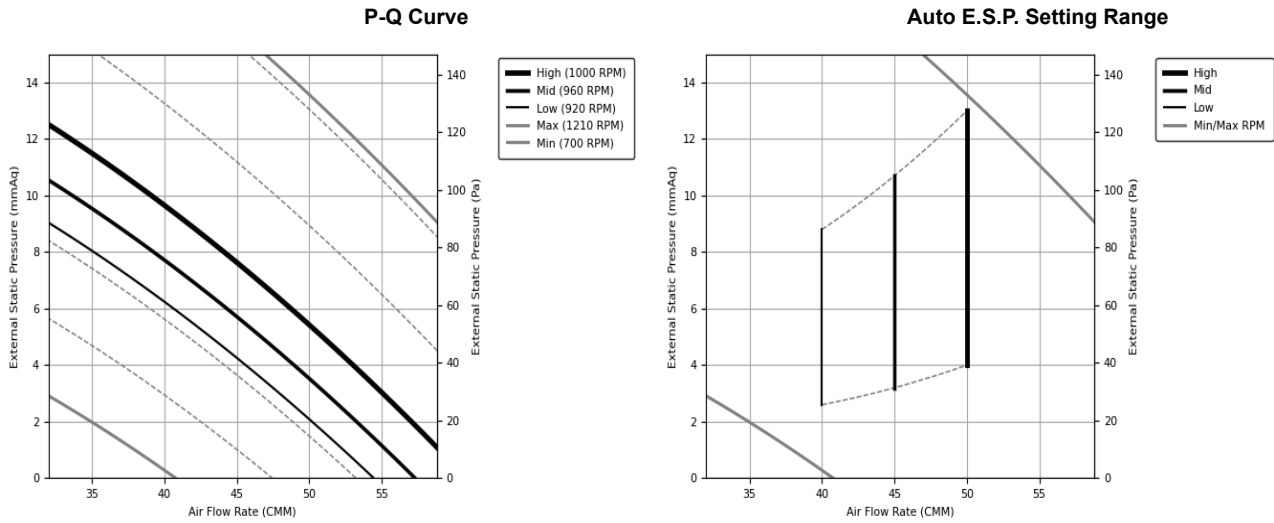


### Note

1. Each dash line represents for each 100 RPM step
2. If operation range is out of auto E.S.P setting range, air flow rate should be adjusted manually by wired remote controller. (ESP Set Value = RPM / 10) For more information, please see the installation manual.
3. The above P-Q Curve shows available E.S.P. range. If the E.S.P value is out of min/max RPM at desired air flow, indoor components could be failed and performance would be decreased.
4. Automatic constant air volume is a function that controls air volume automatically when installation, and the air volume is not set automatically during operation.

## 6. Fan Characteristic

■ Model : ZBNW60GM3A1



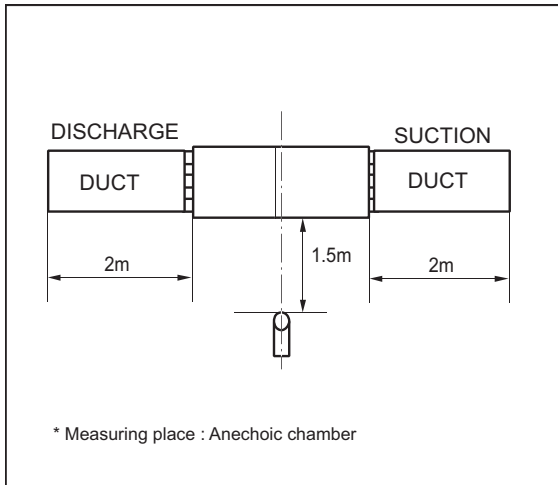
### Note

1. Each dash line represents for each 100 RPM step
2. If operation range is out of auto E.S.P setting range, air flow rate should be adjusted manually by wired remote controller. (ESP Set Value = RPM / 10) For more information, please see the installation manual.
3. The above P-Q Curve shows available E.S.P. range. If the E.S.P value is out of min/max RPM at desired air flow, indoor components could be failed and performance would be decreased.
4. Automatic constant air volume is a function that controls air volume automatically when installation, and the air volume is not set automatically during operation.

# 7. Sound Levels

## 7.1 Sound Pressure Level

### Overall



**Note**

1. Sound measured at some distance away from the center of the unit.
2. Data is valid at free field condition.
3. Reference acoustic pressure 0dB = 20μPa.
4. Data is valid at nominal operation condition.  
Refer to the Model Specifications for nominal conditions(Power source and Ambient temperature, etc)
5. Sound levels can be increased in accordance with installation and operating conditions. (Static pressure mode, used air guide, Room target temperature setting, etc)
6. Sound level will vary depending on a range of factors such as the construction(acoustic absorption coefficient) of particular room in which the equipment is installed.
7. Sound pressure level is measured on the rated condition in the anechoic rooms. (LG Internal Standard)  
Therefore, these values can be increased owing to ambient conditions during operation.

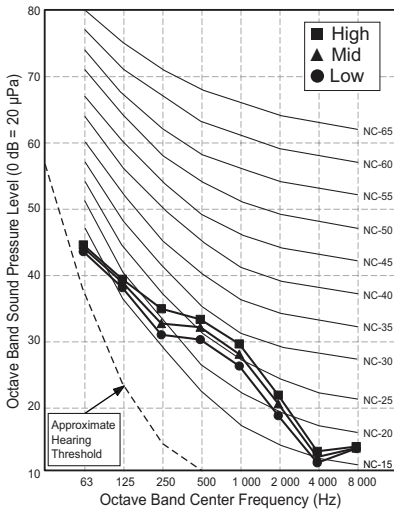
Model	Sound Pressure Levels (dB(A),H-M-L)					
	External Static Pressure [mmAq(Pa)]					
	2.5(25)	5(49)	6(59)	7(69)	10(98)	15(147)
ZBNW18GM1A1 [CM18F N10]	34-32-30	35-33-32	36-34-33	36-35-34	38-37-36	40-39-38
ZBNW24GM1A1 [CM24F N10]	35-34-32	36-35-34	37-36-35	37-36-35	39-38-37	41-40-39

Model	Sound Pressure Levels (dB(A),H-M-L)						
	External Static Pressure [mmAq(Pa)]						
	2.5(25)	4(39)	5(49)	6(59)	7(69)	10(98)	15(147)
ZBNW30GM1A1 [UM30F N10]	37-35-34	39-37-35	40-38-36	41-39-37	41-39-38	42-41-39	43-42-41
ZBNW36GM2A1 [UM36F N20]	-	36-34-33	37-36-34	38-37-35	38-37-35	39-38-37	42-40-39
ZBNW42GM2A1 [UM42F N20]	-	-	38-36-34	39-38-36	40-39-37	41-40-39	44-43-42
ZBNW48GM3A1 [UM48F N30]	-	-	39-37-35	40-38-36	40-38-36	41-39-37	43-42-41
ZBNW60GM3A1 [UM60F N30]	-	-	42-40-39	43-41-40	43-41-40	44-42-40	45-44-43

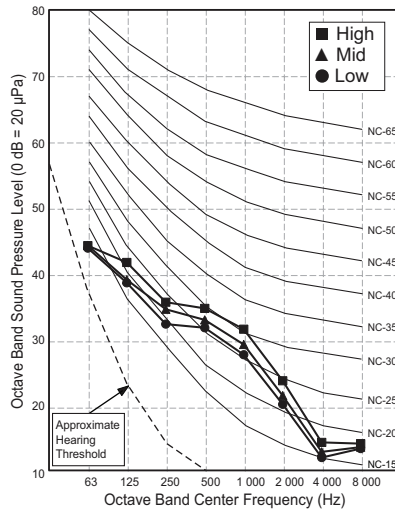
# 7. Sound Levels

## ◆ External Static Pressure 2.5(25) [mmAq(Pa)]

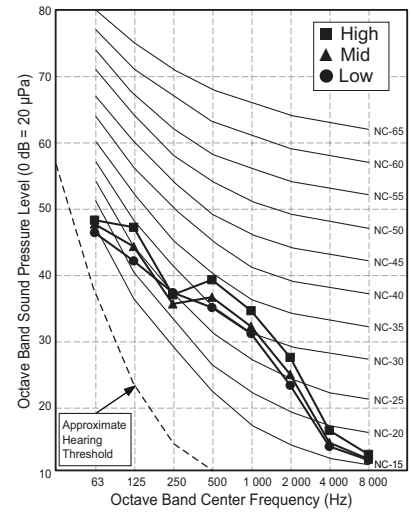
ZBNW18GM1A1 [CM18F N10]



ZBNW24GM1A1 [CM24F N10]



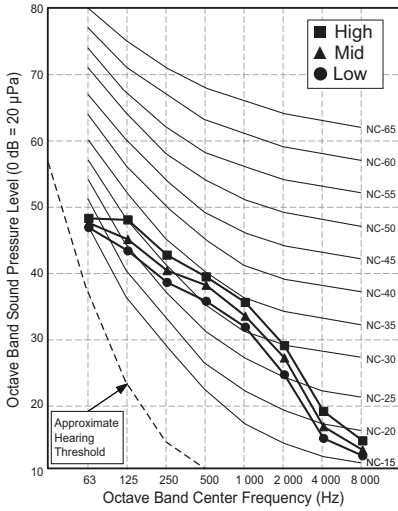
ZBNW30GM1A1 [UM30F N10]



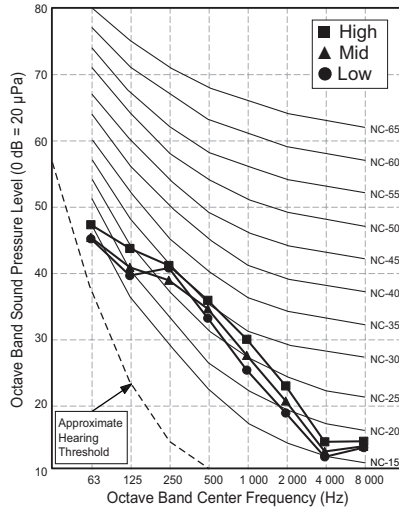
# 7. Sound Levels

## ◆ External Static Pressure 4(39) [mmAq(Pa)]

ZBNW30GM1A1 [UM30F N10]

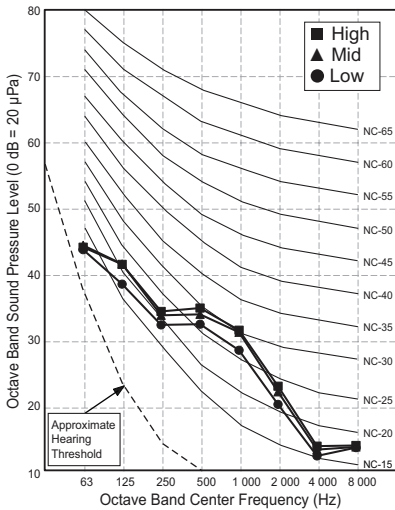


ZBNW36GM2A1 [UM36F N20]

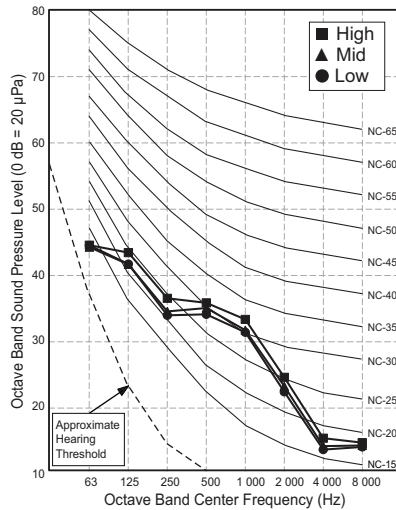


## ◆ External Static Pressure 5(49) [mmAq(Pa)]

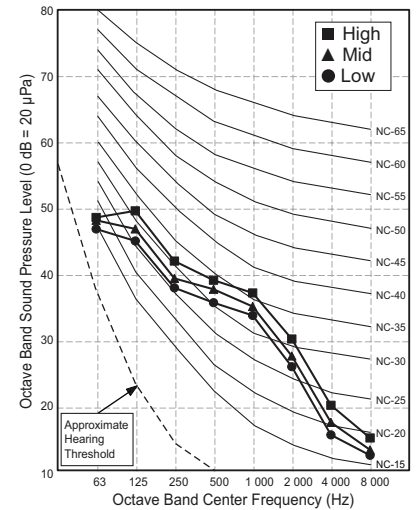
ZBNW18GM1A1 [CM18F N10]



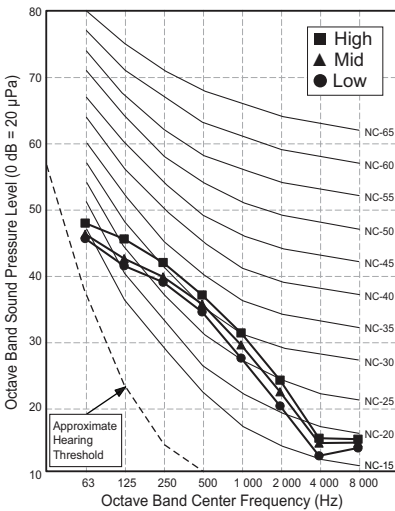
ZBNW24GM1A1 [CM24F N10]



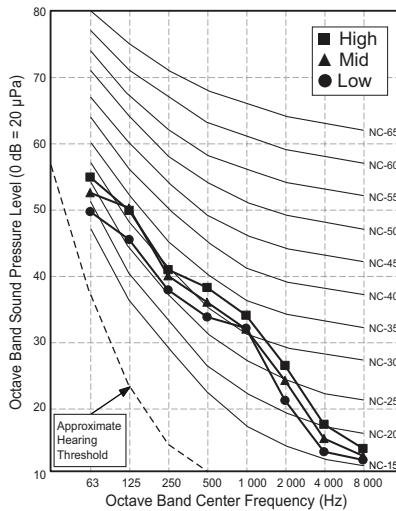
ZBNW30GM1A1 [UM30F N10]



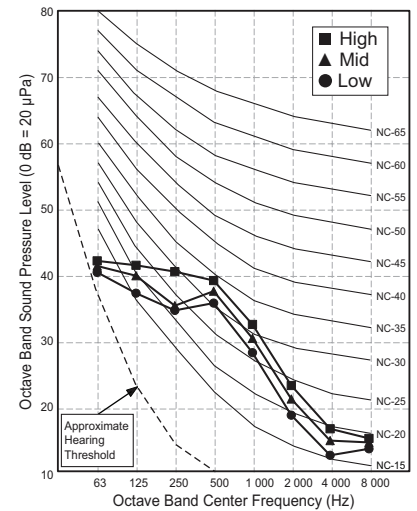
ZBNW36GM2A1 [UM36F N20]



ZBNW42GM2A1 [UM42F N20]

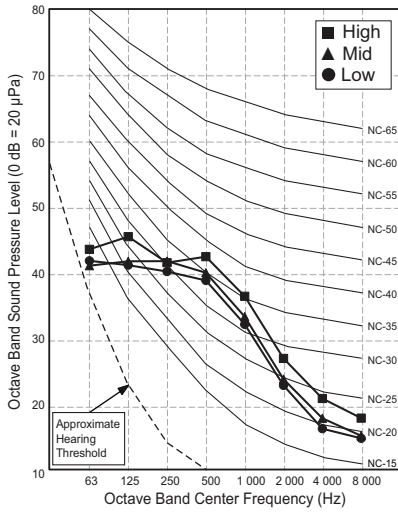


ZBNW48GM3A1 [UM48F N30]



# 7. Sound Levels

## ZBNW60GM3A1 [UM60F N30]

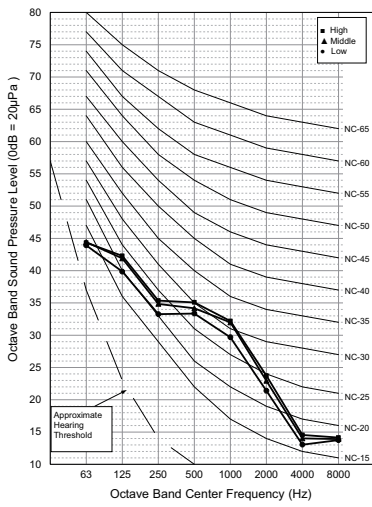




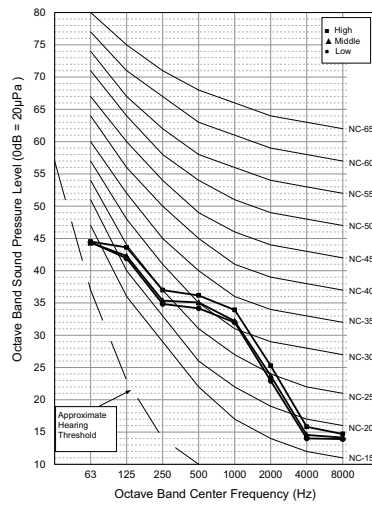
# 7. Sound Levels

## ◆ External Static Pressure 6(59) [mmAq(Pa)]

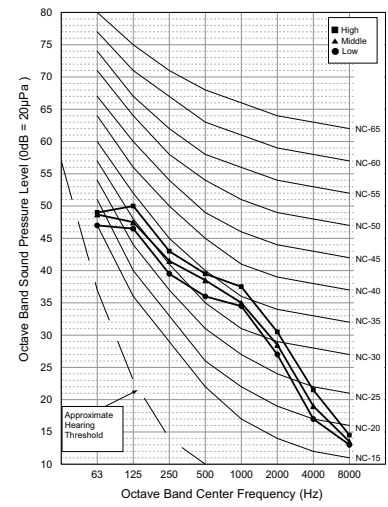
**ZBNW18GM1A1 [CM18F N10]**



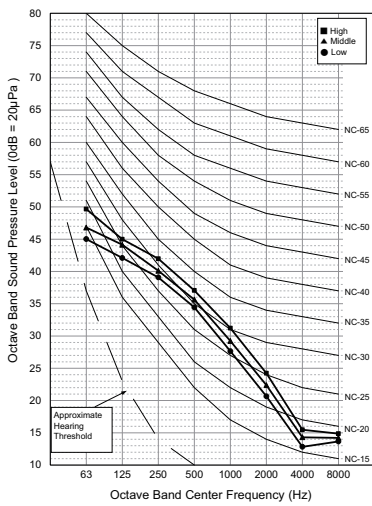
**ZBNW24GM1A1 [CM24F N10]**



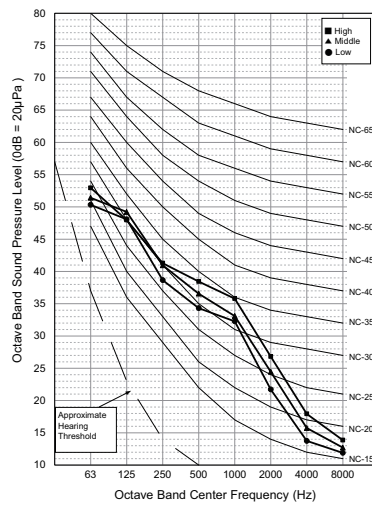
**ZBNW30GM1A1 [UM30F N10]**



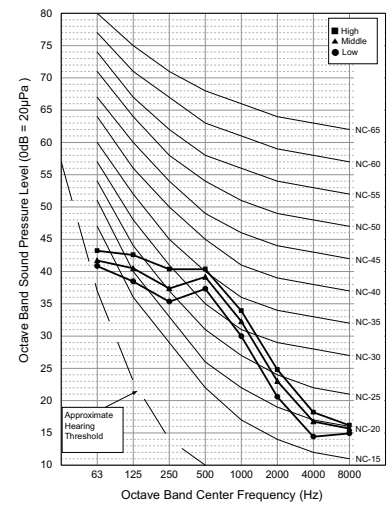
**ZBNW36GM2A1 [UM36F N20]**



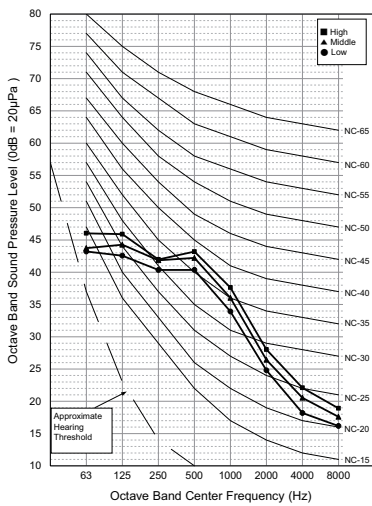
**ZBNW42GM2A1 [UM42F N20]**



**ZBNW48GM3A1 [UM48F N30]**



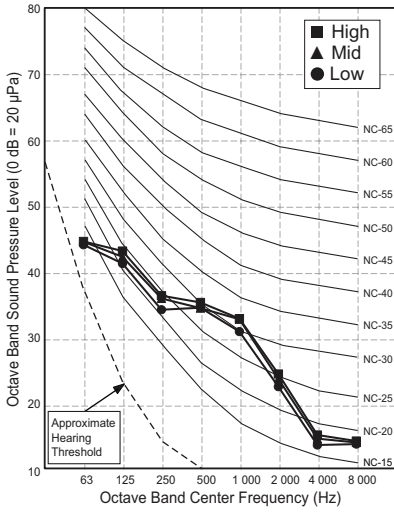
**ZBNW60GM3A1 [UM60F N30]**



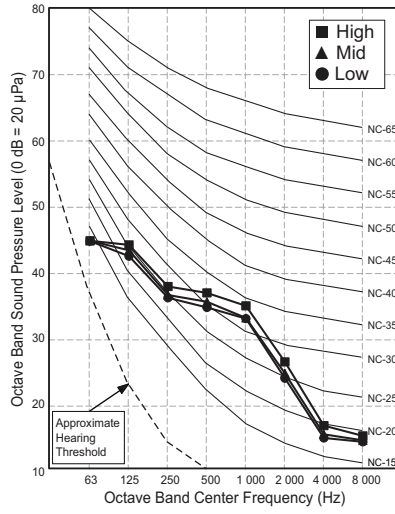
# 7. Sound Levels

## ◆ External Static Pressure 7(69) [mmAq(Pa)]

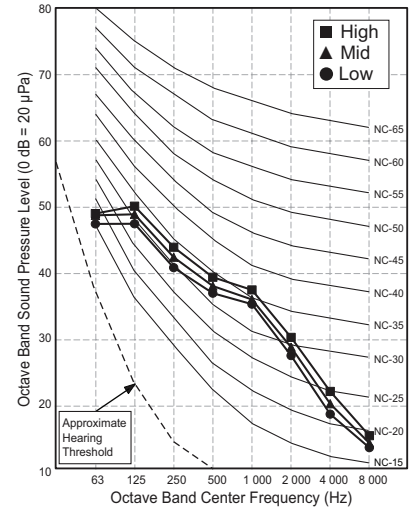
**ZBNW18GM1A1 [CM18F N10]**



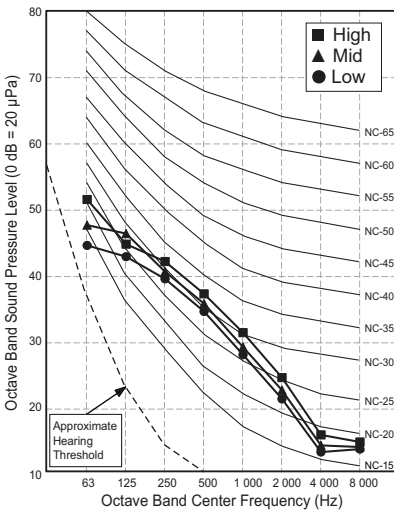
**ZBNW24GM1A1 [CM24F N10]**



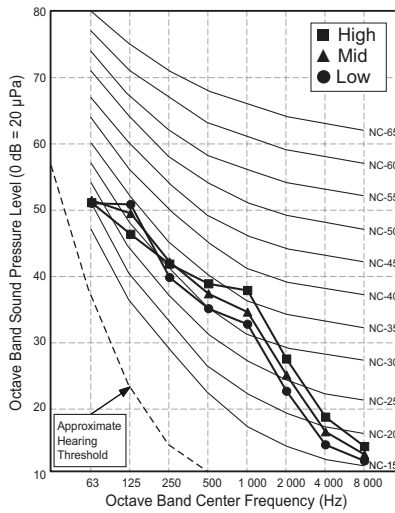
**ZBNW30GM1A1 [UM30F N10]**



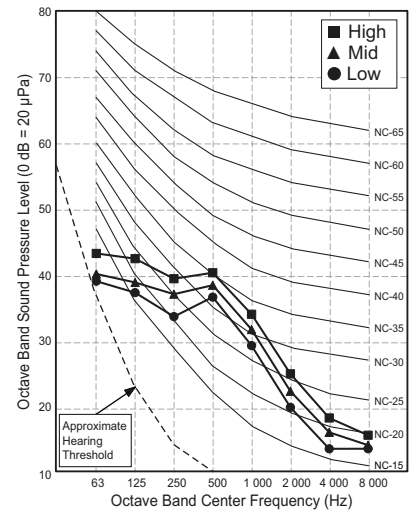
**ZBNW36GM2A1 [UM36F N20]**



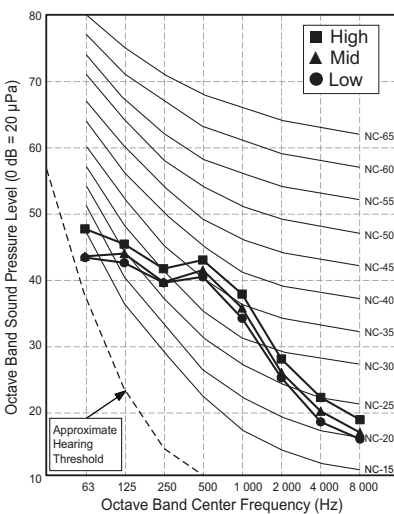
**ZBNW42GM2A1 [UM42F N20]**



**ZBNW48GM3A1 [UM48F N30]**



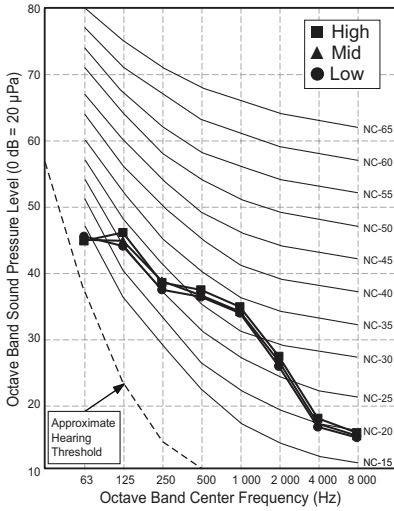
**ZBNW60GM3A1 [UM60F N30]**



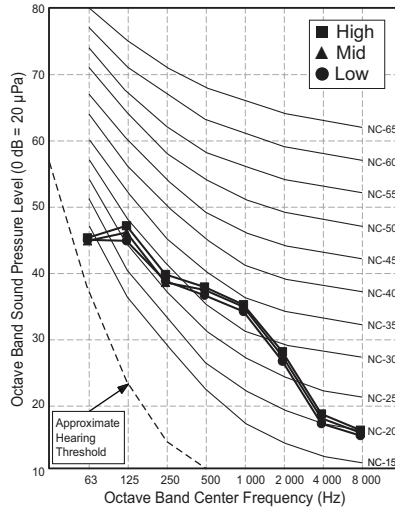
# 7. Sound Levels

## ◆ External Static Pressure 10(98) [mmAq(Pa)]

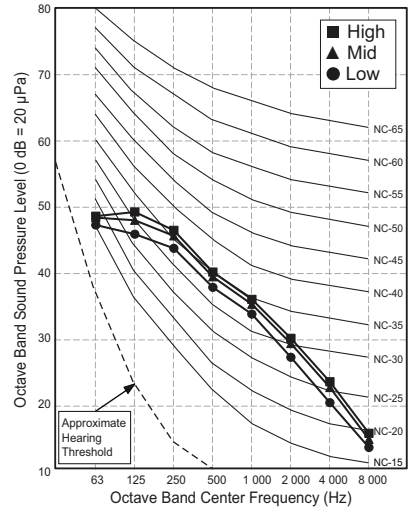
**ZBNW18GM1A1 [CM18F N10]**



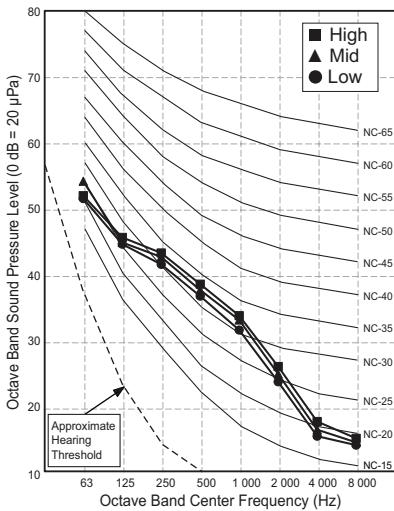
**ZBNW24GM1A1 [CM24F N10]**



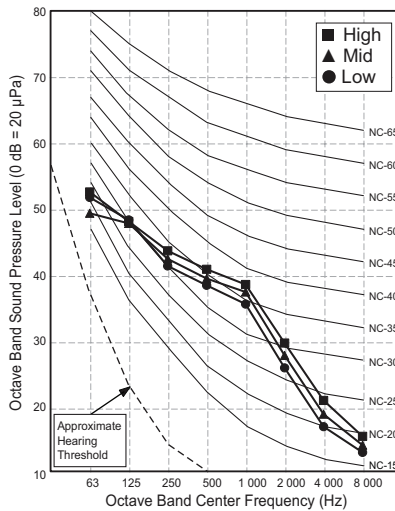
**ZBNW30GM1A1 [UM30F N10]**



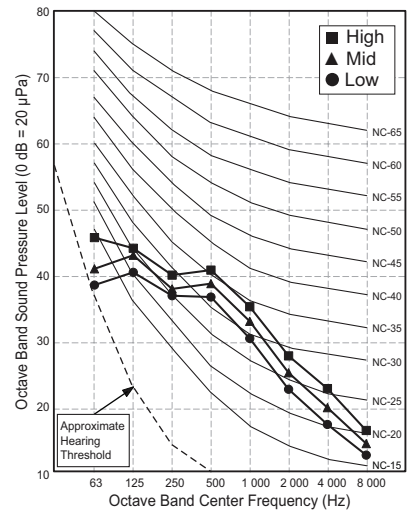
**ZBNW36GM2A1 [UM36F N20]**



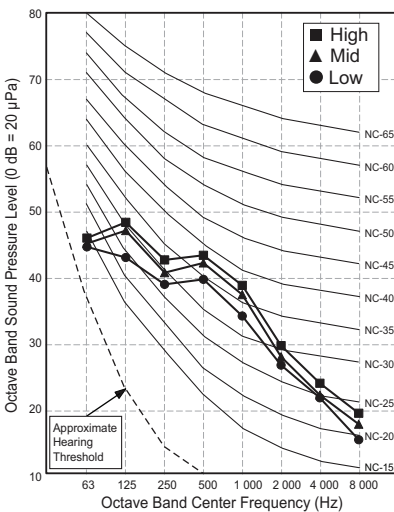
**ZBNW42GM2A1 [UM42F N20]**



**ZBNW48GM3A1 [UM48F N30]**



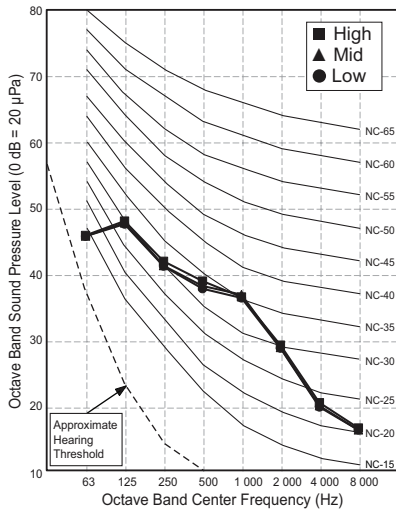
**ZBNW60GM3A1 [UM60F N30]**



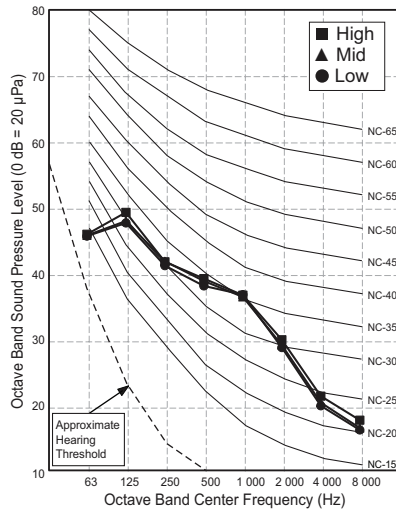
# 7. Sound Levels

## ◆ External Static Pressure 15(147) [mmAq(Pa)]

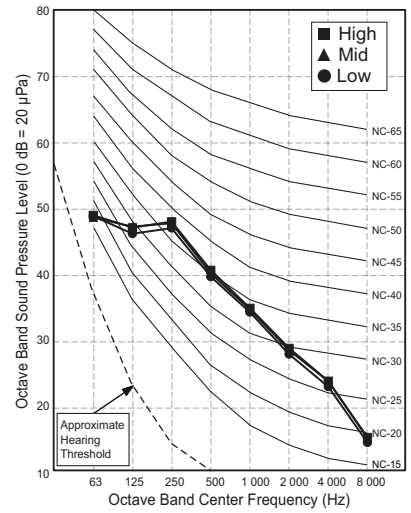
**ZBNW18GM1A1 [CM18F N10]**



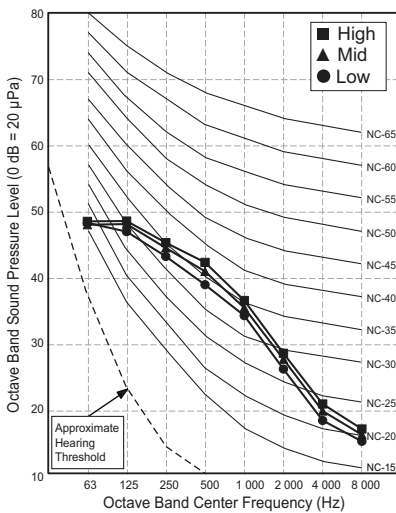
**ZBNW24GM1A1 [CM24F N10]**



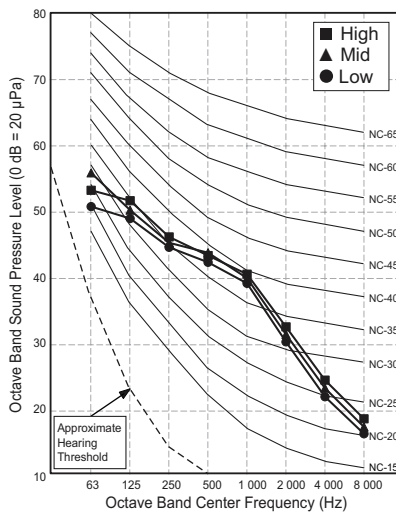
**ZBNW30GM1A1 [UM30F N10]**



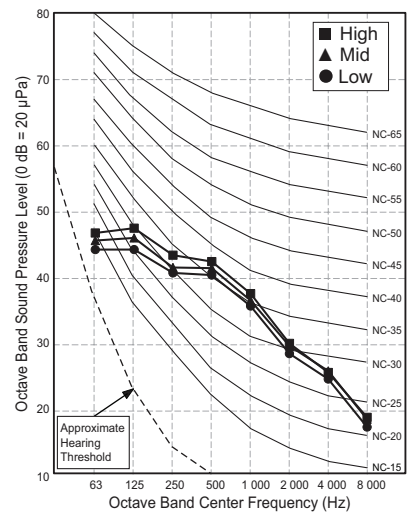
**ZBNW36GM2A1 [UM36F N20]**



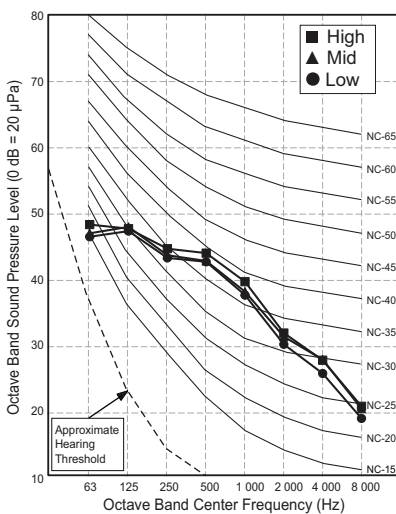
**ZBNW42GM2A1 [UM42F N20]**



**ZBNW48GM3A1 [UM48F N30]**



**ZBNW60GM3A1 [UM60F N30]**



# 7. Sound Levels

## 7.2 Sound Power Level

### Note

1. Data is valid at diffuse field condition.
2. Data is valid at nominal operation condition.  
Refer to the Model Specifications for nominal conditions(Power source and Ambient temperature, etc)
3. Sound level can be increased in static pressure mode or used air guide.
4. Sound level will vary depending on a range of factors such as the construction (acoustic absorption coefficient).
5. Reference acoustic intensity 0dB = 10E-6μW/m<sup>2</sup>
6. Sound power level is measured on the rated condition in the reverberation rooms by ISO 3741 standard.  
Therefore, these values can be increased owing to ambient conditions during operation.

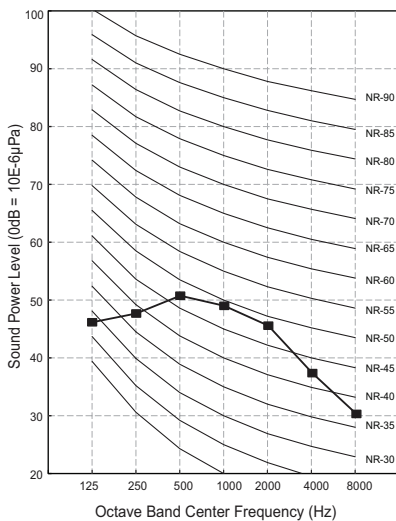
Model	Sound Power Levels (dB(A))	
	External Static Pressure [mmAq(Pa)]	
	2.5(25)	6(59)
ZBNW18GM1A1 [CM18F N10]	59	61
ZBNW24GM1A1 [CM24F N10]	60	62
ZBNW30GM1A1 [UM30F N10]	62	66

Model	Sound Power Levels (dB(A))	
	External Static Pressure [mmAq(Pa)]	
	4(39)	6(59)
ZBNW36GM2A1 [UM36F N20]	60	63

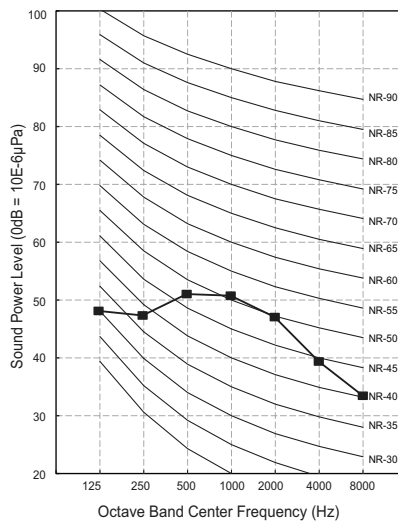
Model	Sound Power Levels (dB(A))	
	External Static Pressure [mmAq(Pa)]	
	5(49)	6(59)
ZBNW42GM2A1 [UM42F N20]	62	64
ZBNW48GM3A1 [UM48F N30]	65	66
ZBNW60GM3A1 [UM60F N30]	66	68

### ◆ External Static Pressure 2.5(25) [mmAq(Pa)]

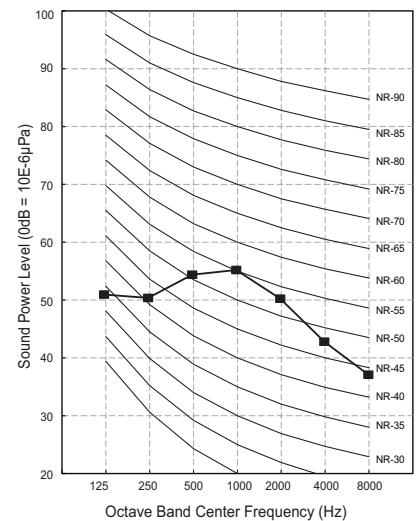
ZBNW18GM1A1 [CM18F N10]



ZBNW24GM1A1 [CM24F N10]



ZBNW30GM1A1 [UM30F N10]

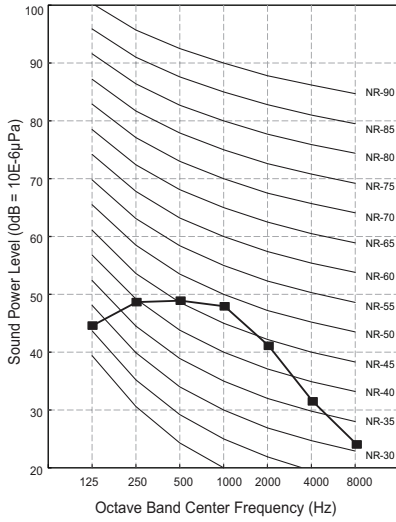




# 7. Sound Levels

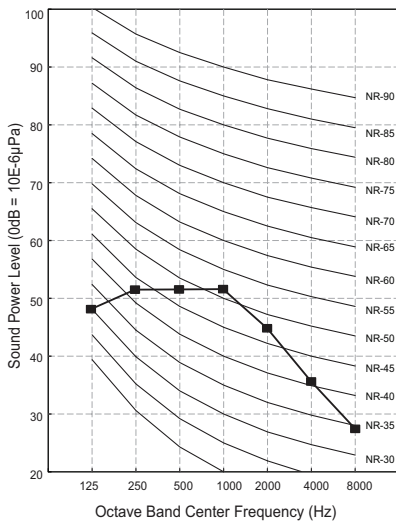
## ◆ External Static Pressure 4(39) [mmAq(Pa)]

ZBNW36GM2A1 [UM36F N20]

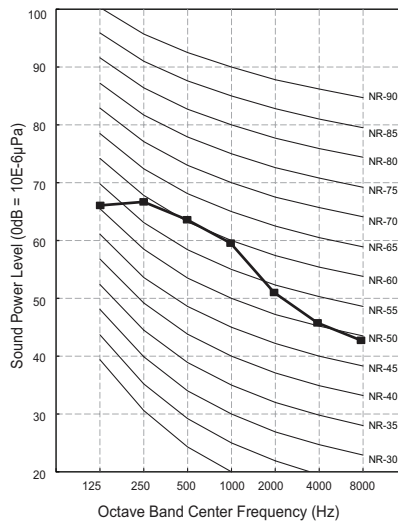


## ◆ External Static Pressure 5(49) [mmAq(Pa)]

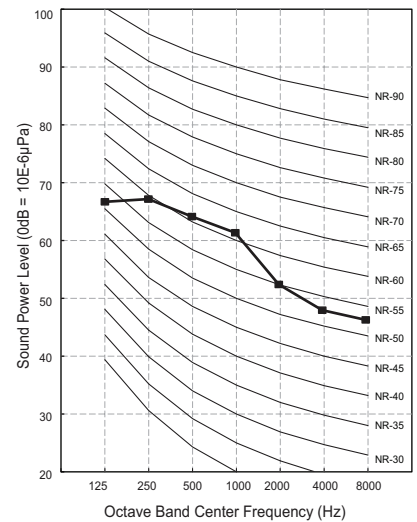
ZBNW42GM2A1 [UM42F N20]



ZBNW48GM3A1 [UM48F N30]



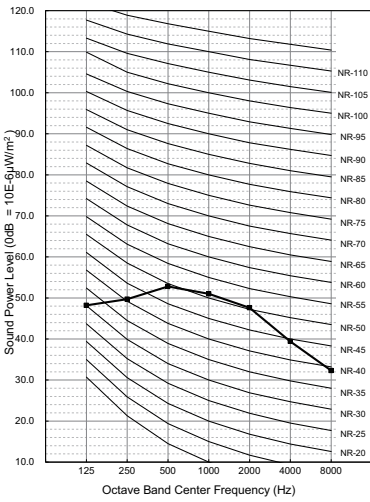
ZBNW60GM3A1 [UM60F N30]



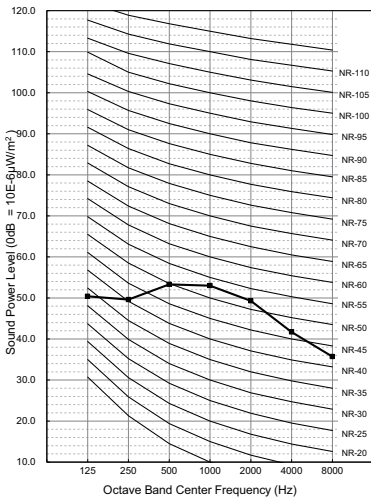
# 7. Sound Levels

## ◆ External Static Pressure 6(59) [mmAq(Pa)]

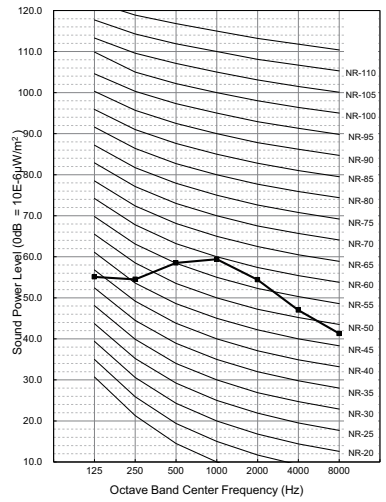
**ZBNW18GM1A1 [CM18F N10]**



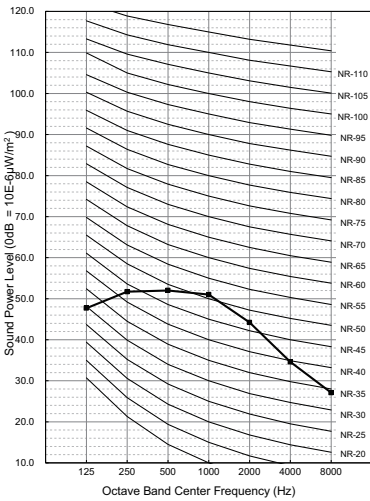
**ZBNW24GM1A1 [CM24F N10]**



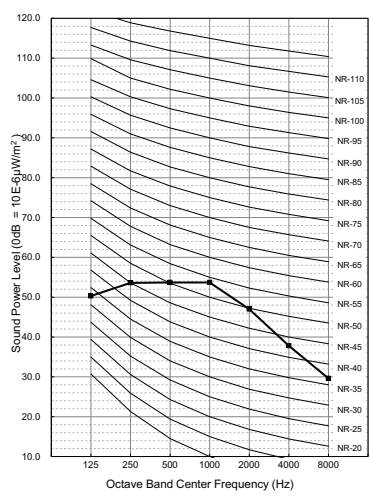
**ZBNW30GM1A1 [UM30F N10]**



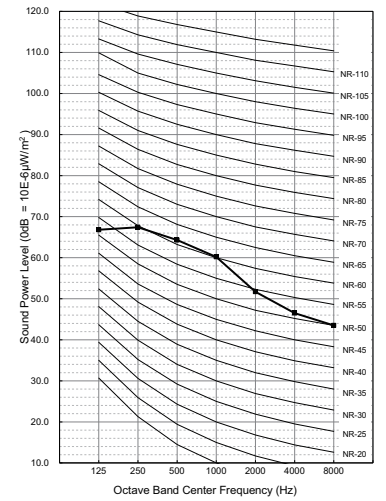
**ZBNW36GM2A1 [UM36F N20]**



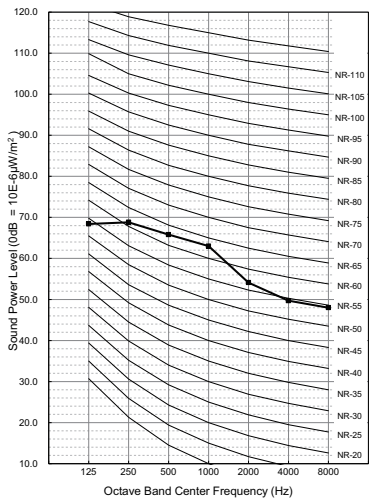
**ZBNW42GM2A1 [UM42F N20]**



**ZBNW48GM3A1 [UM48F N30]**

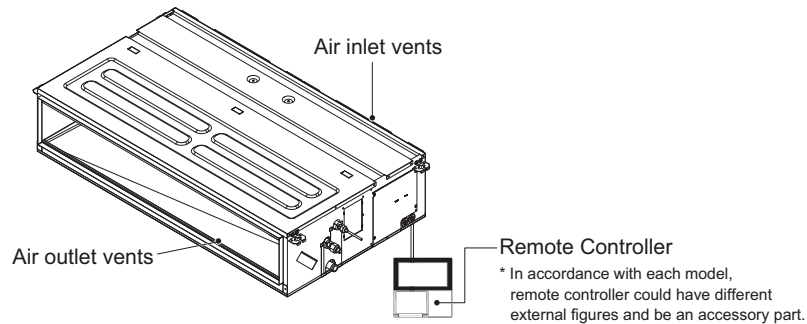


**ZBNW60GM3A1 [UM60F N30]**



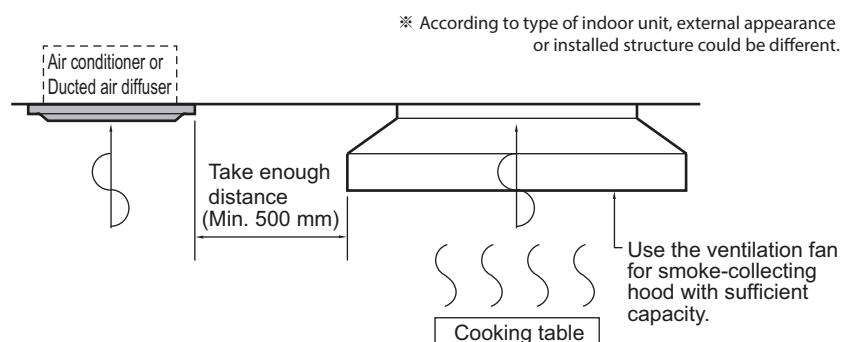
## 8. Installation

- Please read the instruction sheets completely before installing the product.
- When the power cord is damaged, replacement work shall be performed by authorized personnel only.
- Installation work must be performed in accordance with the national wiring standards.
- Teach the customer the operation and maintenance procedures, using the operation manual. (air filter cleaning, temperature control, etc.)



### 8.1 Selection of the best location

- The unit must be installed indoor area.
- Do not install the unit near the door.
- There should not be any obstacles to the air circulation or installation. Ensure the spaces from the wall, ceiling, or other obstacles.
- The place where the indoor unit can be connected with outdoor unit easily.
- The place where the unit is leveled.
- The place shall allow easy water drainage.
- The place where bear a load exceeding four times of the indoor unit weight.
- The mounting ceiling or wall should be solid enough to protect it from the vibration.
- The place where the unit is not affected by an electrical noise.
- The place where noise prevention is taken into consideration.
- The place where the maintenance space for product is sufficient. (The servicing inspection hole of the ceiling should be larger than the indoor unit.)
- The selection of the servicing inspection hole should be approved by the customer.
- There should not be any heat source or steam near the unit. Avoid the following installation location.
  1. Such places as restaurants and kitchen where considerable amount of oil steam and flour is generated. These may cause heat exchange efficiency reduction, or water drops, drain pump mal-function. In these cases, take the following actions;
    - Make sure that ventilation fan is enough to cover all noxious gases from this place.
    - Ensure enough distance from the cooking room to install the air conditioner in such a place where it may not suck oily steam.





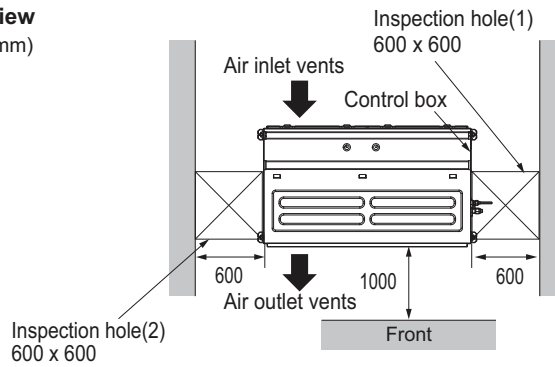
## 8. Installation

2. Avoid installing air conditioner in such places where cooking oil or iron powder is generated.
3. Avoid places where inflammable gas is generated.
4. Avoid place where noxious gas is generated.
5. Avoid places near high frequency generators.

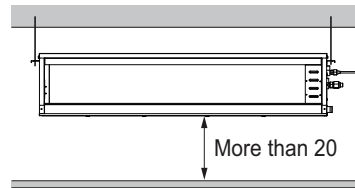
### ⚠ CAUTION

- If the temperature rise above 30 °C or the humidity rise above RH 80%, the dew-protective kit should be equipped or use additional insulation to the indoor unit body.
  - "Dew Protective kit" is sold separately.
  - Use the glass wool material or polyethylene foam and it make sure to be thick of 10mm at least.

**Top view**  
(Unit: mm)



**Front view**  
(Unit: mm)



\* These figures are representative.  
Actual appearance of indoor unit  
may be different but clearances  
will stay the same.

### ◆ Inspection Hole Standard

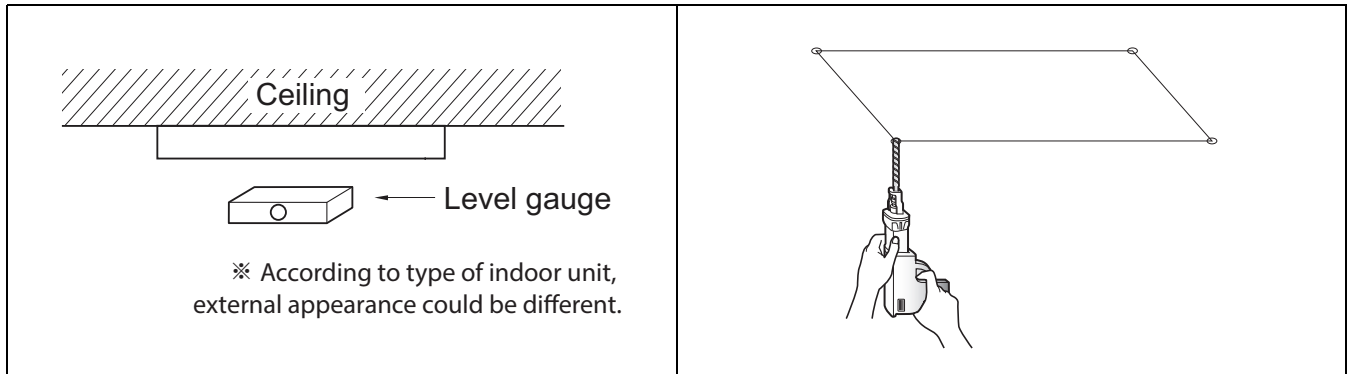
Distance between false ceiling & actual ceiling	Number of in spection hole	Remarks
More than 100cm	1	Sufficient space in the ceiling for servicing.
20cm to 100cm	2	Insufficient space. Difficult for servicing
Less than 20cm	Hole size should be more than the size of IDU.	Minimum height for motor replacement.

## 8. Installation

### 8.2 Ceiling dimension and hanging bolt location

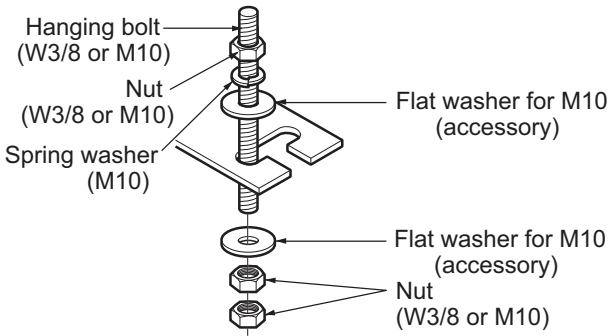
#### ⚠ CAUTION

- During the installation, care should be taken not to damage electric wires.
- In case of using a drain pump, install the unit horizontally using a level gauge.



1. The dimensions of the paper model for installation are the same as those of the ceiling opening dimensions.
2. Select and mark the position for fixing bolts and piping hole.
3. Decide the position for fixing bolts slightly tilted to the drain direction after considering the direction of drain hose.
4. Drill the hole for anchor bolt on the wall or ceiling.
  - Insert the set anchor and washer onto the suspension bolts for locking the suspension bolts on the ceiling.
  - Mount the suspension bolts to the set anchor firmly.
  - Secure the installation plates onto the suspension bolts (adjust level roughly) using nuts, washers and spring washers.
5. In case of ducted type unit, apply a joint-canvas between the unit and duct to absorb unnecessary vibration.

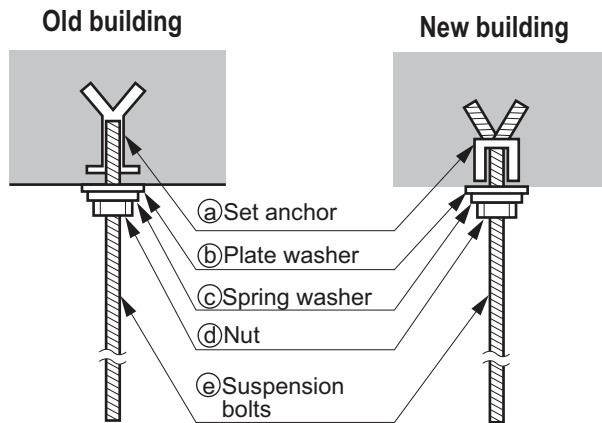
# 8. Installation



- The following parts are local purchasing.
  1. Hanging bolt - W 3/8 or M10
  2. Nut - W 3/8 or M10
  3. Spring washer - M10
  4. Plate washer - M10

**⚠ CAUTION**

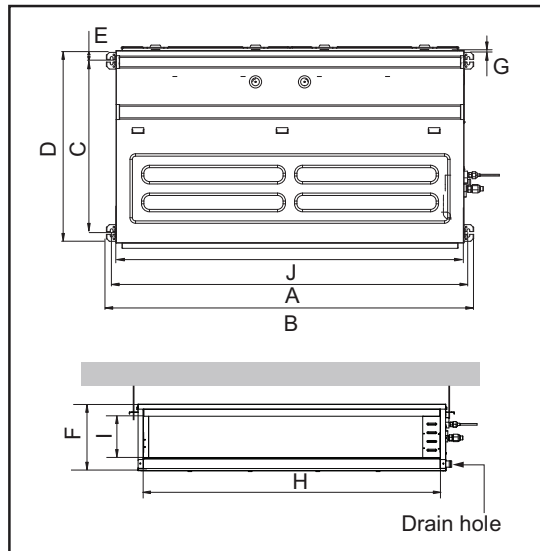
- Tighten the nut and bolt to prevent the unit from falling.
- When mechanical connectors are reused indoors, sealing parts shall be renewed. (for R32)
- When flared joints are reused indoors, the flare part shall be re-fabricated. (for R32)



## ■ Installation dimension of Indoor unit

### M1/M2/M3 Chassis

\* According to product type, model line up, sales region...etc, applicability of each chassis could be different.



Chassis name	Dimension (mm)									
	A	B	C	D	E	F	G	H	I	J
M1	933.4	971.6	619.2	691	30	270	15.2	858	201.4	900
M2	1,283.4	1,321.6	619.2	691	30	270	15.2	1,208	201.4	1,250
M3	1,283.4	1,321.6	619.2	691	30	360	15.2	1,208	291.4	1,250

## 8. Installation

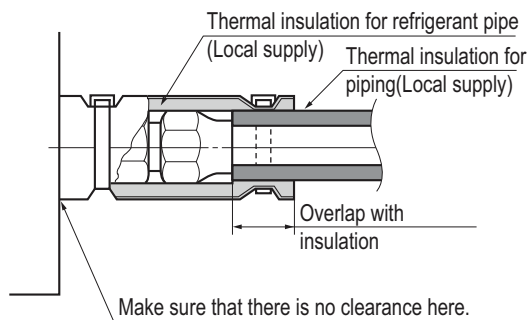
### 8.3 Connecting pipes to the indoor unit

#### ■ Refrigerant piping work

To detail information for connecting the refrigerant pipes, please refer to the installation manual included with product.

#### ■ Piping insulation work

- Perform heat insulation work completely on both gas and the liquid pipe. Because improper insulation will result condensate formation over pipe.
- Use the heat insulation material for the refrigerant piping which has an excellent heat resistance (over 120°C (248°F)).
- Precautions in high humidity circumstance
  - This air conditioner has been tested according to the "KS Conditions" and confirmed.
  - If it is operated for a long time in high humid atmosphere (dew point temperature: more than 23°C(73°F)), water drops are liable to fall. In this case, add heat insulation material according to the following procedure.



- Heat insulation material : Adiabatic glass wool with thickness of 10~20mm(13/32 ~13/16 inch).
- Stick glass wool on all air conditioners that are located in ceiling atmosphere.

#### ⚠ CAUTION

- Make sure to insulate any field piping all the way to the piping connection inside the unit. Any exposed piping may cause condensation or burns if touched.

## 8. Installation

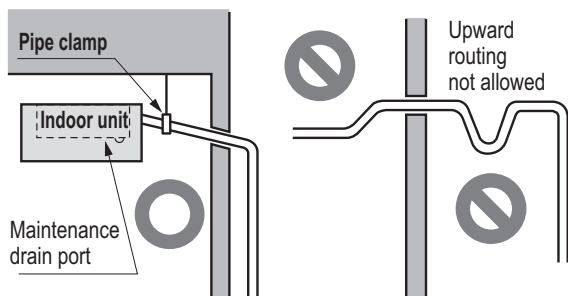
### 8.4 Indoor Unit Drain Piping

#### Important

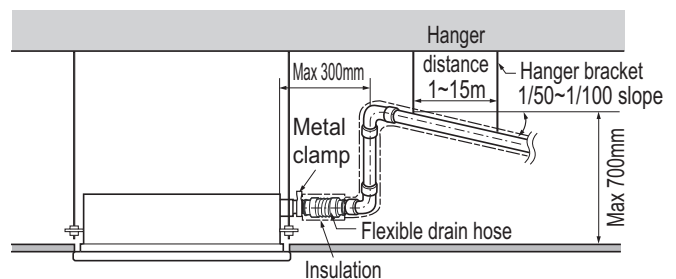
- The drain pipe should be at least equal in size to drain conduit of the indoor unit.
- The drain pipe is thermally insulated to prevent the formation of condensation inside the pipe.
- The drain up mechanism should be fitted before the indoor unit is installed and when the electricity has been connected a little of water should be added to the drain pan and the drain pump to check and see if it is functioning correctly.
- All connections should be secure. (Special care is needed with PVC pipe)

#### 8.4.1 Drain piping of indoor unit with drain pump

- Drain piping must have down-slope (1/50 to 1/100). Be sure not to provide up-and-down slope to prevent reversal flow.
- During drain piping connection, be careful not to exert force on the drain port on the indoor unit.
- The outside diameter of the drain connection on the indoor unit is 32 mm (1-1/4 inch).
  - Piping material: Use the Polyvinyl chloride pipe, 25 mm (1 inch) pipe fittings.

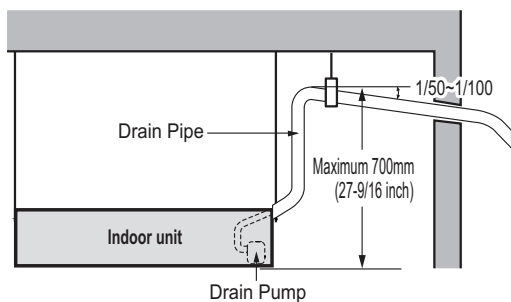


※ According to type of indoor unit, external appearance could be different.

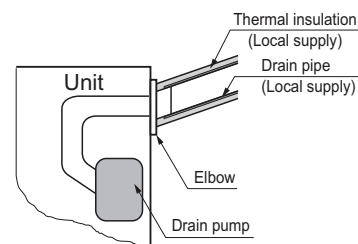


※ According to type of indoor unit, external appearance could be different.

- Possible drain head height is upto 700 mm (27-6/19 inch). So the drain head should be installed below 700 mm (27-6/19 inch).
- Be sure to install heat insulation on the drain piping.
  - Heat insulation material: Polyethylene foam with thickness more than 8 mm (5/16 inch).



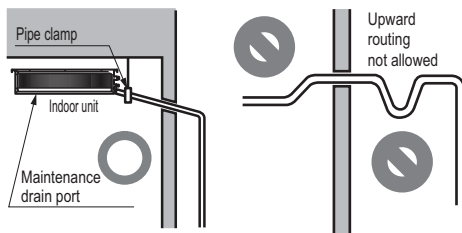
※ According to type of indoor unit, external appearance could be different.



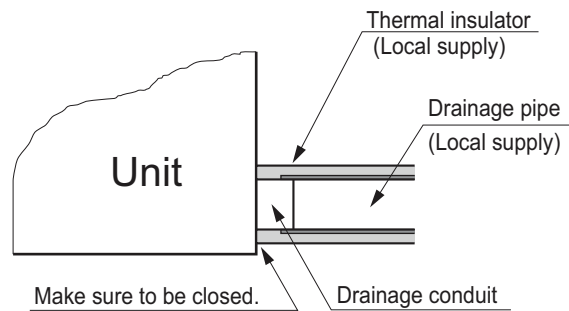
## 8. Installation

### 8.4.2 Drain pipe connection without drain pump

- Drain piping must have down-slope (1/50 to 1/100). Be sure not to provide up-and-down slope to prevent reversal flow.
- During drain piping connection, be careful not to exert force on the drain port on the indoor unit.
- The outside diameter of the drain connection on the indoor unit and drain piping fittings should be referenced from 'Specifications' of each models.
  - Piping material: Use the Polyvinyl chloride pipe.
- Be sure to install heat insulation on the drain piping.
  - Heat insulation material: Polyethylene foam with thickness more than 8 mm (5/16 inch).



\* U-trap is not required for low static model in which the external static pressure is below 50 pa(5mm Aq)



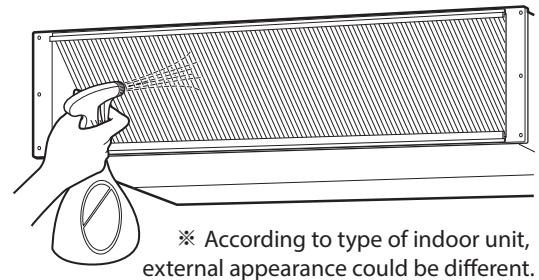
## 8. Installation

### 8.4.3 Method of Drainage test

#### ◆ Drainage test of indoor unit

Use the following procedure to test the drainage.

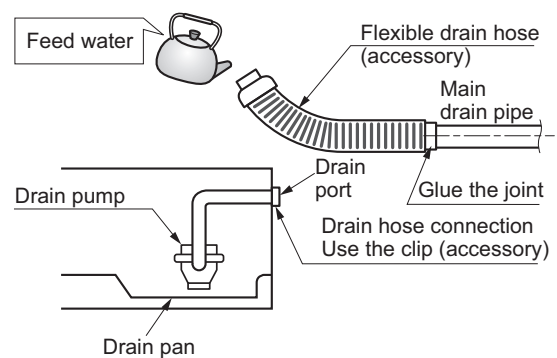
1. In case that there are air filter, remove the air filter first.
2. Spray one or two glasses of water on the evaporator.
3. Check the drainage. Ensure that water flows through drain hose of indoor unit without any leakage.



#### ◆ Drainage test of indoor unit with drain pump

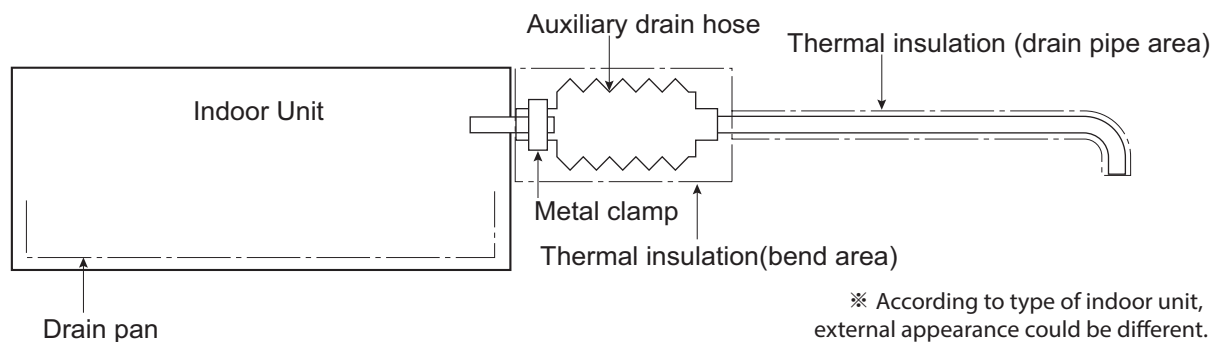
Use the following procedure to test the drain pump operation.

1. Connect the main drain pipe to the exterior and leave it provisionally until the test comes to an end.
2. Feed water to the flexible drain hose and check the piping for leakage.
3. Be sure to check the drain pump for normal operating and noise when electrical wiring is complete.
4. When the test is complete, connect the flexible drain hose to the drain port on the indoor unit.



### 8.4.4 Connection of an auxiliary(flexible) drain hose

- To connect drain pipe to the drain socket on the indoor unit, an auxiliary flexible drain hose should be used. auxiliary flexible drain hose allows that the drain pipe can be connected to the socket without breaking by excessive strain.



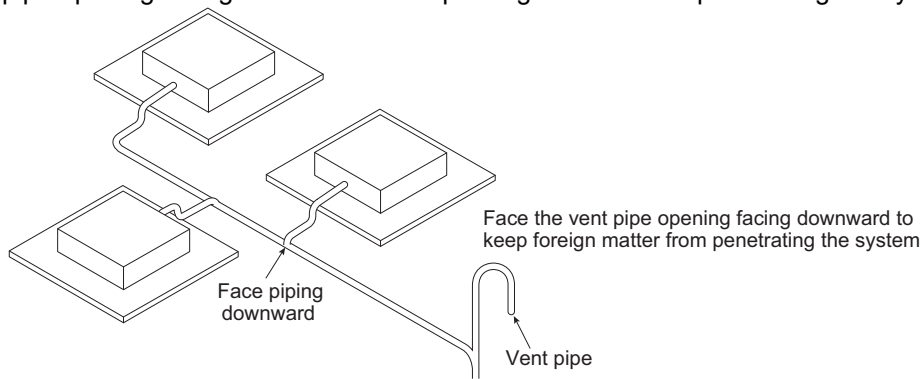
#### ⚠ CAUTION

- The supplied flexible drain hose should not be curved, neither screwed. The curved or screwed hose may cause a leakage of water.
- It is need to insulate the auxiliary drain hose with thermal insulation material.

## 8. Installation

### 8.4.5 Ground drain piping

- It is standard work practice to make connections to the main pipe from above. The pipe down from the combination should be as large as possible.
- The pipe work should be kept as short as possible and the number of indoor units per group kept to a minimum.
- Face the vent pipe opening facing downward to keep foreign matter from penetrating the system.





## 8. Installation

---

### 8.5 Electric wiring work

#### 8.5.1 General instructions

- All field supplied parts and materials, electric works must conform to local codes. Use copper wire only.
- Follow the "**WIRING DIAGRAM**" attached to the unit body to wire the outdoor unit, indoor units and the remote controller.
- All wiring must be performed by an authorized electrician.
- A circuit breaker capable of shutting down the power supply to the entire system must be installed.

#### CAUTION

After the confirmation of the above conditions, prepare the wiring as follows:

- Never fail to have separate power specially for the air conditioner.
- Provide a circuit breaker switch between power source and the unit.
- Confirm the Specification of power source.
- Confirm that electrical capacity is sufficient.
- Be sure that the starting voltage is maintained at more than 90 percent of the rated voltage marked on the name plate.
- Confirm that the cable thickness is as specified in the power sources specification.  
(Particularly note the relation between cable length and thickness.)
- Do not install the leakage breaker in a place which is wet or moist.  
Water or moist may cause short circuit.
- The following troubles would be caused by voltage drop-down.
  - » Vibration of a magnetic switch, damage on the contact point there of, fuse breaking, disturbance to the normal function of a overload protection device.
  - » Proper starting power is not given to the compressor.

#### 8.5.2 Wiring connection

- Connect the wires to the terminals on the control board individually according to the outdoor unit connection.
- Ensure that the color of the wires of outdoor unit and the terminal No. are the same as those of indoor unit respectively.
- In case of the system with multiple indoor units, mark each indoor unit as unit A, unit B, etc and be sure the terminal board wiring to the outdoor unit and indoor units are properly matched. If wiring and piping between the outdoor unit and an indoor unit are mismatched, the system may cause a malfunction.

#### 8.5.3 Clamping of cables

1. Arrange 2 power cables on the control panel.
2. First, fasten the steel clamp with a screw to the inner boss of control panel.
3. For connecting of communication (transmission) cable, put the cable(or thinner cable) on the clamp and tighten it with a plastic clamp to the other boss of the control panel. In case that communication (transmission) cable is not needed to connect, fix the other side of the clamp with a screw strongly.

## 8. Installation

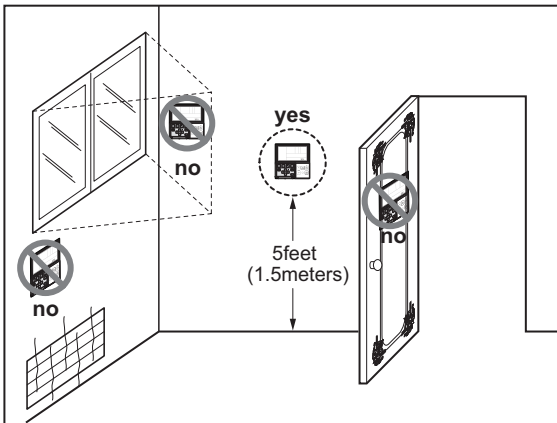
### **⚠ WARNING**

- Make sure that the screws of the terminal are fixed tightly.
- The screw which fasten the wiring in the casing of electrical fittings are liable to come loose from vibrations to which the unit is subjected during the course of transportation. Check them and make sure that they are all tightly fastened. (If they are loose, it could give rise to burn-out of the wires.)
- Make sure to attach the sealing material or (field supplied) to hole of wiring to prevent the infiltration of foreign particle from outside. Otherwise a short-circuit may occur inside the electric parts box.
- When clamping the wires, be sure no pressure is applied to the wire connections by using the included clamping material to make appropriate clamps. Also, when wiring, make sure the cover on the electric parts box fits snugly by arranging the wires neatly and attaching the electric parts box cover firmly. When attaching the electric parts box cover, make sure no wires get caught in the edges. Pass wiring through the wiring through holes to prevent damage to them.
- Make sure the remote controller wiring, the wiring between the units, and other electrical wiring do not pass through the same locations outside of the unit, separating them properly, otherwise electrical noise (external static) could cause product malfunction.

### 8.5.4 Wired Remote Controller Installation

Since the room temperature sensor is in the remote controller, the remote controller box should be installed in a place away from direct sunlight, high humidity and direct supply of cold air to maintain proper space temperature.

Install the remote controller about 5ft(1.5m) above the floor in an area with good air circulation at an average temperature.



#### • Do not install the remote controller where it can be affected by :

- Drafts, or dead spots behind doors and in corners.
- Hot or cold air from ducts.
- Radiant heat from sun or appliances.
- Concealed pipes and chimneys.
- Uncontrolled areas such as an outside wall behind the remote controller.
- This remote controller is equipped with a seven segment LED. display. For proper display of the remote controller LED's, the remote controller should be installed properly. (The standard height is 1.2~1.5 m from floor level.)

# MULTI/SINGLE

Indoor unit

## **Ceiling concealed duct - Low static pressure**

- 1.List of Functions**
- 2.Specifications**
- 3.Dimensions**
- 4.Piping diagrams**
- 5.Wiring diagrams**
- 6.External static pressure & Air flow**
- 7.Sound levels**
- 8.Installation**

# 1. List of functions

## ◆ List of function

Category	Functions	ZBNW09GL5A1 [CL09F N50] / ZBNW12GL5A1 [CL12F N50] ZBNW18GL6A1 [CL18F N60] / ZBNW24GL3A1 [CL24F N30]
Air Flow	Air Supply Outlet	1
	Airflow Steps (fan/cool/heat)	3 / 3 / 3
	Fan Speed Auto*	X
	Power Cool/Heat	X / X
	Dry Operation	O
Air Purification	Air Purify	X
	Pre-Filter	O
Reliability	Hot Start	O
	Self Diagnosis	O
Convenience	Auto Mode	O
	Auto Dry Operation	O
	Auto Restart	O
	Child Lock*	O
	Group Control*	O
	Sleep Timer	O
	Turn On/Off Reservation	O
	Schedule*	O
	Two Thermistor Control*	O
External On/Off	O	
Installation	Drain Pump	O
	E.S.P. Control*	O
Special Functions	Wi-Fi	Accessory

### Note

- O : Applied, X : Not Applied, - : Unconfirmed or irrelevant  
Embedded : A kit is provided by default for using this function when the product is manufactured.  
Accessory : Ordered and purchased separately the accessory package referring to the model name provided and install at field. Accessory line-ups varies by region, so check your local catalogue or local sales material.
- Some functions can be limited by remote controller.
- Selecting a wireless remote controller in case of ducted type indoor units requires either a connection to the wired remote controller (Standard II) or an IR receiver accessory to be connected to the duct in order to receive the signal.
- 'Auto Mode' varies depending on the outdoor unit type.
  - Auto Change Over(Single Heat Pump Outdoor Unit)
  - Auto Mode Select(Multi Heat Pump Outdoor Unit)
  - Auto Intensity Control(Cooling Only Outdoor Unit)
- \* : These functions need to connect the wired remote controller.

# 1. List of functions

## ◆ Accessory Compatibility List

Category		Product	Remark	ZBNW09GL5A1 [CL09F N50] ZBNW12GL5A1 [CL12F N50] ZBNW18GL6A1 [CL18F N60] ZBNW24GL3A1 [CL24F N30]
Wireless Remote Controller		PQWRHQ0FDB	Heat Pump	O (Embedded)
		PWLSSB21H	Heat Pump	O
Wired Remote Controller	Simple	PQRCVCL0Q(W)	Simple	O
		PQRCHCA0Q(W)	for Hotel	O
	Standard	PREMTB001	Standard II (White)	O
		PREMTBB01	Standard II (Black)	O
		PREMTB100	Standard III (White)	O
		PREMTBB10	Standard III (Black)	O
Premium	PREMTA000(A/B)	Premium	O	
IR Receiver		PWLRVN000	-	O
Dry contact	Simple Contact	PDRYCB000	Simple Dry Contact	O
	Communication type	PDRYCB400	2 Points Dry Contact (For Setback)	O
		PDRYCB300	For 3rd Party Thermostat	O
		PDRYCB320	For 3rd Party Thermostat (Analog Input)	O
		PDRYCB500	For Modbus	O
Gateway	IDU PI485	PHNFP14A0	Without case	X
		PSNFP14A0	With case	X
ETC	Remote temperature sensor	PQRSTA0	-	O
	Zone controller	ABZCA	-	O
	CO <sub>2</sub> Sensor	PES-C0RV0	For ERV, ERV DX Indoor units	X
	Group control wire	PZCWRCG3	0.25m	O
	2-Remo Control Wire	PZCWRC2	0.25m	O
	Extension Wire	PZCWRC1	10m	O
	Wi-Fi Controller*	PWFMDD200	-	O
	Human detecting sensor	PTVSA00	-	X
Drain Pump	ABDPG	-	O (Embedded)	

### Note

- O: Possible, X: Impossible, -: Not applicable, Embedded: Included with product.
- \*: Some advanced functions controlled by individual controller cannot be operated.
- \*\*: It could not be operated some functions.
- \*\*\*: Selecting a wireless remote controller in case of ducted type indoor units requires either a connection to the wired remote controller (Standard II) or an IR receiver accessory to be connected to the duct in order to receive the signal.
- If you need more detail, please refer to the **BECON** PDB or the manual of product. (<http://partner.lge.com/global> : Home> Doc.Library> Product > Control(BECON))
- Do not install both the IR Receiver and Wired Remote Controller. This may cause malfunctions.

## 2. Specifications

Model Name			Unit	ZBNW09GL5A1 [CL09F N50]	ZBNW12GL5A1 [CL12F N50]
Power Supply			V, Ø, Hz	220-240, 1, 50	220-240, 1, 50
				220, 1, 60	220, 1, 60
Capacity(Nominal)	Cooling		kW	2.5	3.4
	Heating		kW	3.2	4.0
Power Input		H / M / L	W	21 / 15 / 13	21 / 15 / 13
Running Current		H / M / L	A	0.21 / 0.16 / 0.14	0.21 / 0.16 / 0.14
		Max.	A	0.76	0.76
Exterior	Color		-	Steel Gray	Steel Gray
Dimensions		W x H x D	mm	900 x 190 x 460	900 x 190 x 460
Net Weight			kg	18.0	18.0
Shipping Weight			kg	22.0	22.0
Heat Exchanger	Rows x Columns x FPI x No.			(2 × 6 × 18) x 2	(2 × 6 × 18) x 2
	Face Area		m <sup>2</sup>	0.17	0.17
Fan Type				Sirocco	Sirocco
Air Flow Rate		H / M / L	m <sup>3</sup> /min	11.5 / 9.5 / 8.0	11.5 / 9.5 / 8.0
External static pressure	High Mode_Factory Set		Pa (mmAq)	0.0 (0.0)	0.0 (0.0)
Fan Motor	Type			BLDC	BLDC
	Drive			Internal	Internal
	Output		W x No.	(19 x 1) + (5 x 1)	(19 x 1) + (5 x 1)
Safety Device				Fuse / Thermal Protector for Fan Motor	
Piping Connections	Liquid Side		mm (inch)	Ø 6.35 (1/4)	Ø 6.35 (1/4)
	Gas Side		mm (inch)	Ø 9.52 (3/8)	Ø 9.52 (3/8)
	Drain Pipe	O.D. / I.D.	mm	Ø 32.0 / 26.0	Ø 32.0 / 26.0
Sound Pressure Level	Cooling	H / M / L	dB(A)	35 / 30 / 27	35 / 30 / 27
	Heating	H / M / L	dB(A)	35 / 30 / 27	35 / 30 / 27
Sound Power Level	Cooling	Rated	dB(A)	55	55
	Heating	Rated	dB(A)	-	-
Power and Communication Cable (included Earth)			No. x mm <sup>2</sup>	4C x 0.75	4C x 0.75

### Note

- Due to our policy of innovation some specifications may be changed without notification.
- Wiring cable size must comply with the applicable local and national code. And "Electric characteristics" chapter should be considered for electrical work and design. Especially the power cable and circuit breaker should be selected in accordance with that.
- Sound Level Values are measured at Noise Measuring chamber accordance with standard. Therefore, these values depend on the ambient conditions and values are normally higher in actual operation(Sound Pressure : LG Internal standard, Sound Power : EN 12102 (ISO 3741).
- Capacities are net capacities and based on the following conditions. Refer to the Outdoor Unit Specifications for calculating the real capacity.
  - Cooling : Indoor Ambient Temp. 27°CDB / 19°CWB, Outdoor Ambient Temp. 35°CDB / 24°CWB
  - Heating : Indoor Ambient Temp. 20°CDB / 15°CWB, Outdoor Ambient Temp. 7°CDB / 6°CWB
  - Interconnected Pipe is standard length and difference of Elevation (Outdoor ~ Indoor Unit) is 0m.

## 2. Specifications

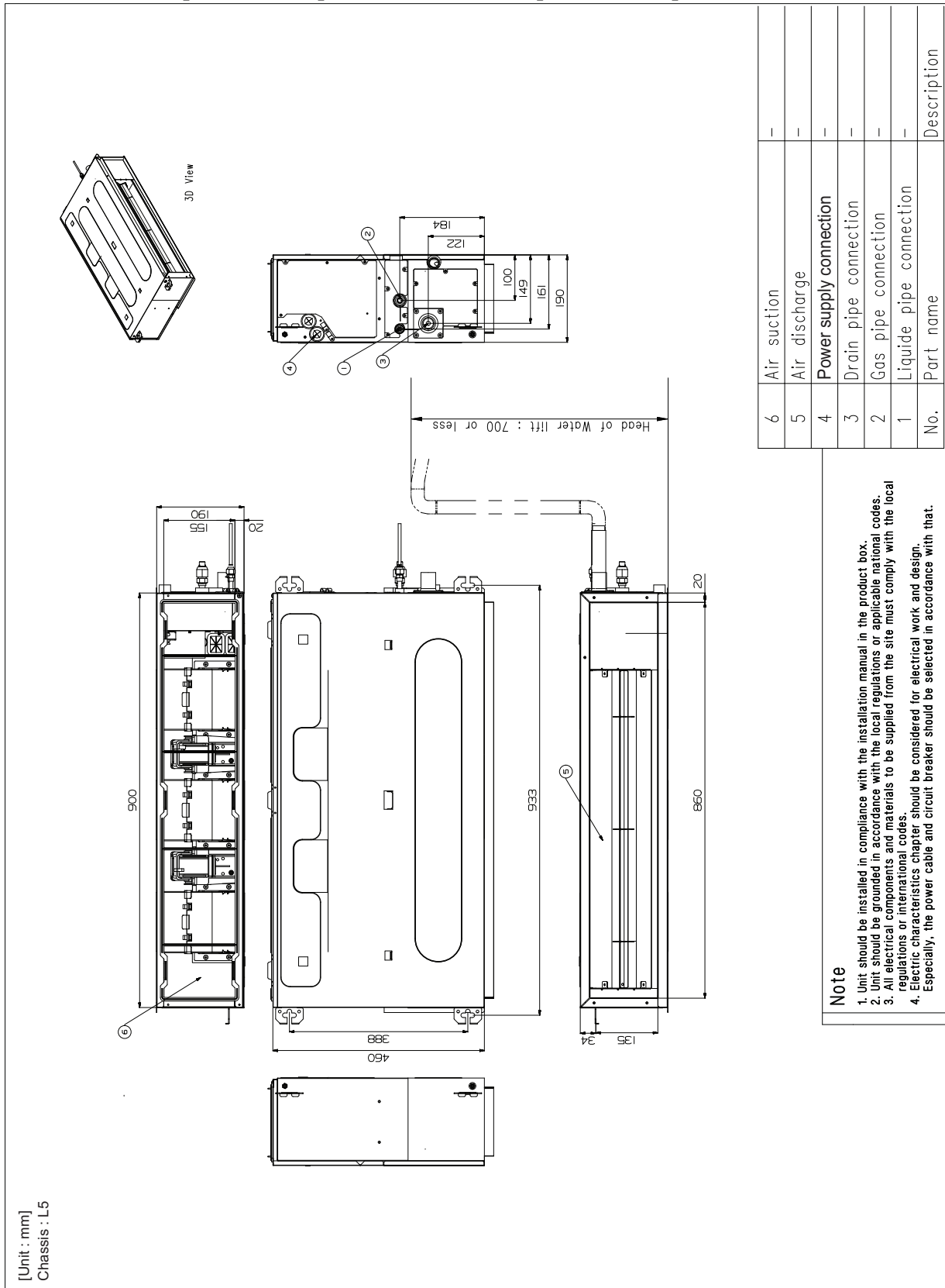
Model Name			Unit	ZBNW18GL6A1 [CL18F N60]	ZBNW24GL3A1 [CL24F N30]
Power Supply			V, Ø, Hz	220-240, 1, 50	220-240, 1, 50
				220, 1, 60	220, 1, 60
Capacity(Nominal)	Cooling		kW	5.0	6.8
	Heating		kW	5.8	7.5
Power Input		H / M / L	W	100 / 90 / 80	150 / 130 / 110
Running Current		H / M / L	A	0.43 / 0.39 / 0.34	0.65 / 0.56 / 0.47
		Max.	A	0.97	1.00
Exterior	Color		-	Steel Gray	Steel Gray
Dimensions		W x H x D	mm	1,100 x 190 x 460	1,100 x 190 x 700
Net Weight			kg	20.9	24.2
Shipping Weight			kg	24.5	29.9
Heat Exchanger	Rows x Columns x FPI x No.			(2 × 6 × 18) x 2	(3 x 11 x 18) x 1
	Face Area		m <sup>2</sup>	0.22	0.22
Fan Type				Sirocco	Sirocco
Air Flow Rate		H / M / L	m <sup>3</sup> /min	15.0 / 12.0 / 10.0	20.0 / 16.0 / 12.0
External static pressure	High Mode_Factory Set		Pa (mmAq)	0.0 (0.0)	24.5 (2.5)
Fan Motor	Type			BLDC	BLDC
	Drive			Internal	Internal
	Output		W x No.	19 x 2	19 x 2
Safety Device				Fuse / Thermal Protector for Fan Motor	
Piping Connections	Liquid Side		mm (inch)	Ø 6.35 (1/4)	Ø 9.52 (3/8)
	Gas Side		mm (inch)	Ø 12.7 (1/2)	Ø 15.88 (5/8)
	Drain Pipe	O.D. / I.D.	mm	Ø 32.0 / 26.0	Ø 32.0 / 26.0
Sound Pressure Level	Cooling	H / M / L	dB(A)	34 / 31 / 29	39 / 35 / 32
	Heating	H / M / L	dB(A)	34 / 31 / 29	39 / 35 / 32
Sound Power Level	Cooling	Rated	dB(A)	56	58
	Heating	Rated	dB(A)	-	-
Power and Communication Cable (included Earth)			No. x mm <sup>2</sup>	4C x 0.75	4C x 0.75

### Note

- Due to our policy of innovation some specifications may be changed without notification.
- Wiring cable size must comply with the applicable local and national code. And "Electric characteristics" chapter should be considered for electrical work and design. Especially the power cable and circuit breaker should be selected in accordance with that.
- Sound Level Values are measured at Noise Measuring chamber accordance with standard. Therefore, these values depend on the ambient conditions and values are normally higher in actual operation(Sound Pressure : LG Internal standard, Sound Power : EN 12102 (ISO 3741).
- Capacities are net capacities and based on the following conditions. Refer to the Outdoor Unit Specifications for calculating the real capacity.
  - Cooling : Indoor Ambient Temp. 27°CDB / 19°CWB, Outdoor Ambient Temp. 35°CDB / 24°CWB
  - Heating : Indoor Ambient Temp. 20°CDB / 15°CWB, Outdoor Ambient Temp. 7°CDB / 6°CWB
  - Interconnected Pipe is standard length and difference of Elevation (Outdoor ~ Indoor Unit) is 0m.

### 3. Dimensions

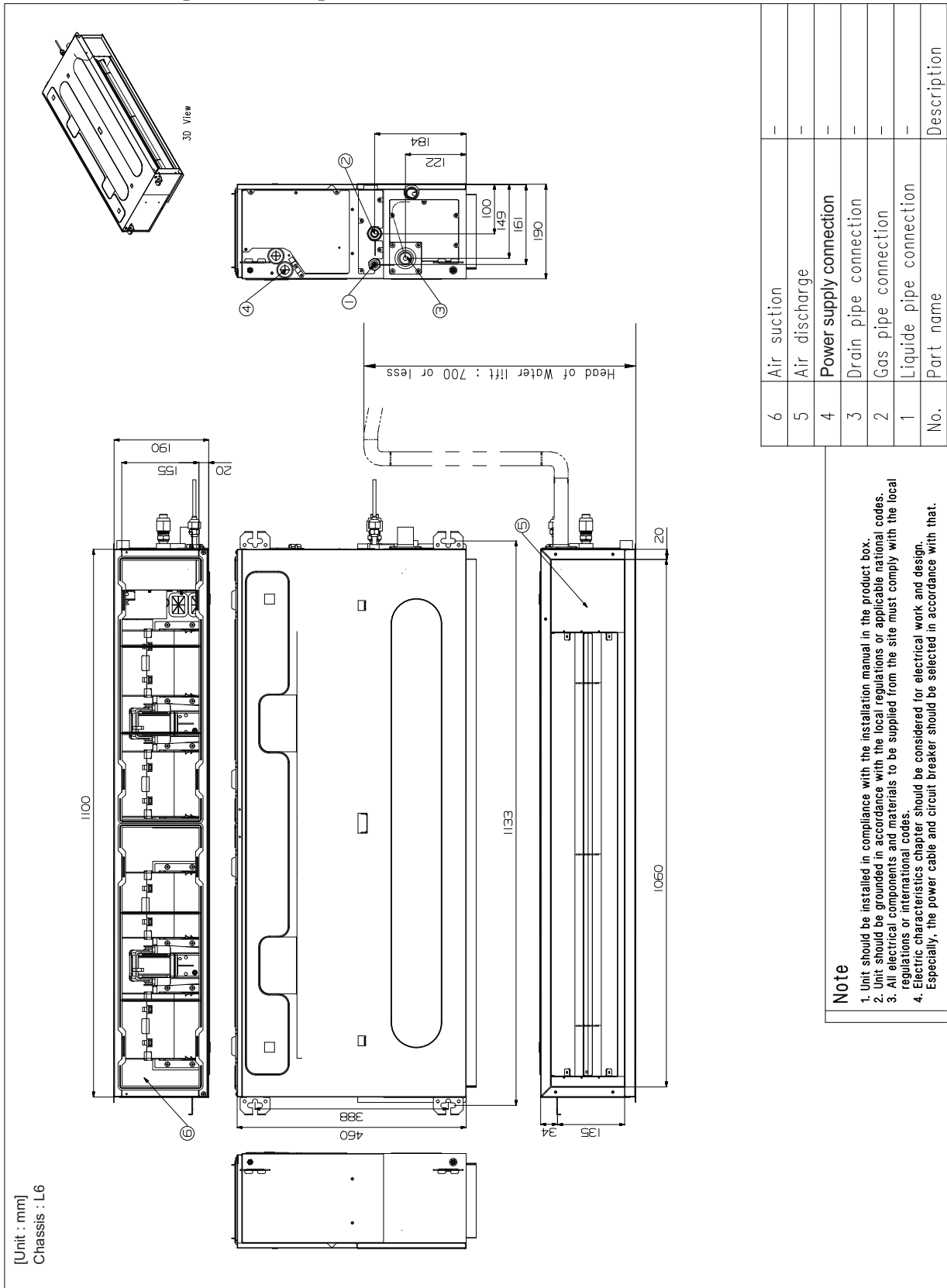
#### ZBNW09GL5A1 [CL09F N50] / ZBNW12GL5A1 [CL12F N50]





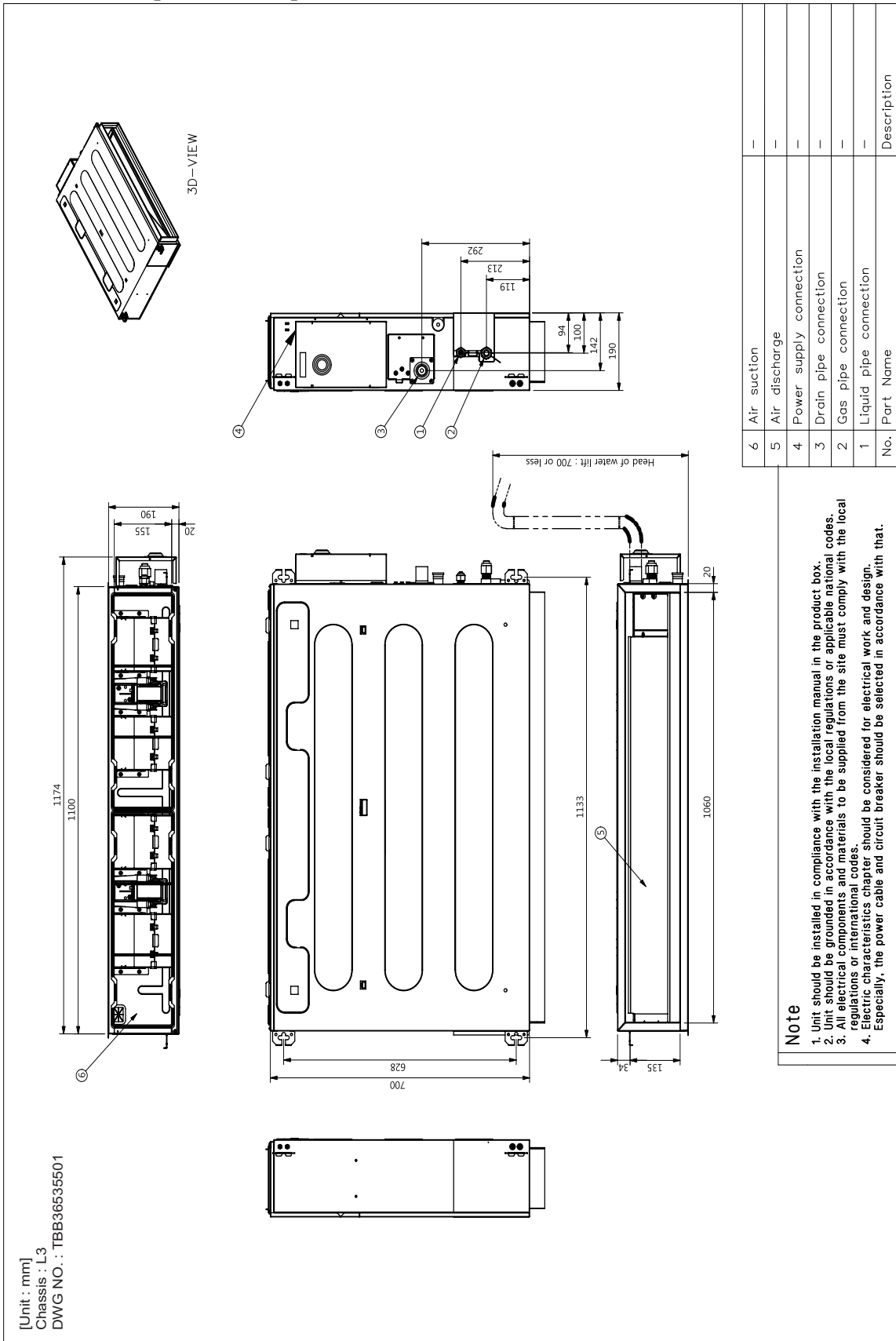
### 3. Dimensions

#### ZBNW18GL6A1 [CL18F N60]



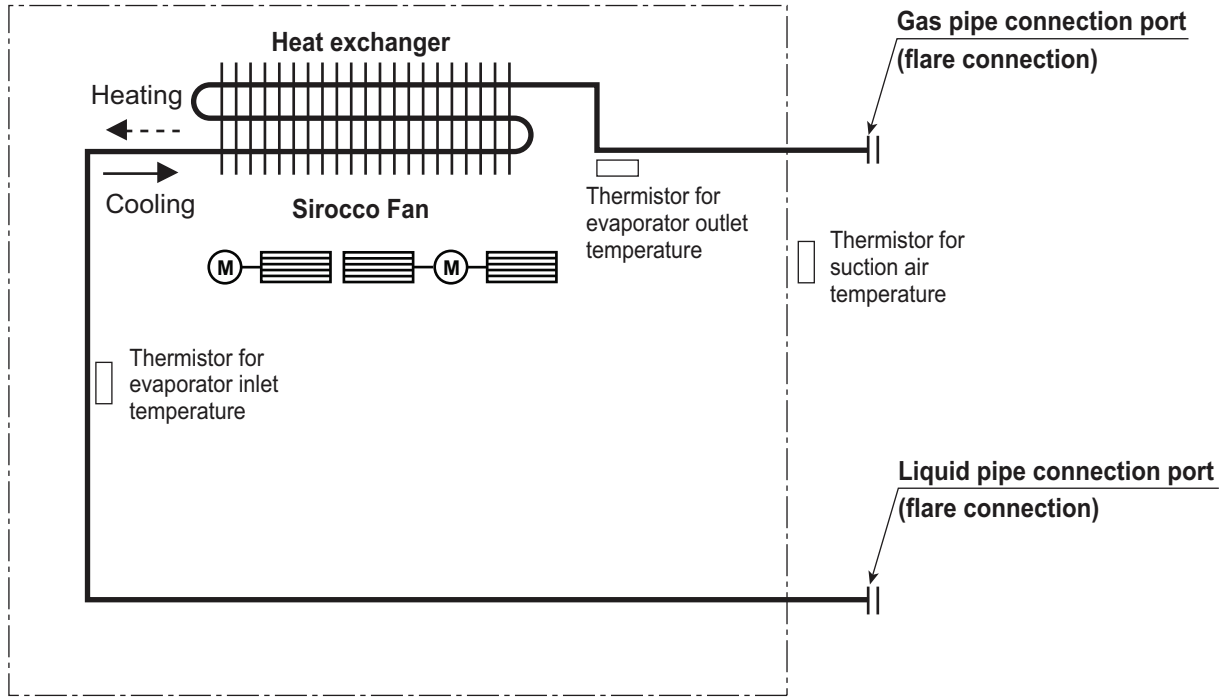
### 3. Dimensions

#### ZBNW24GL3A1 [CL24F N30]



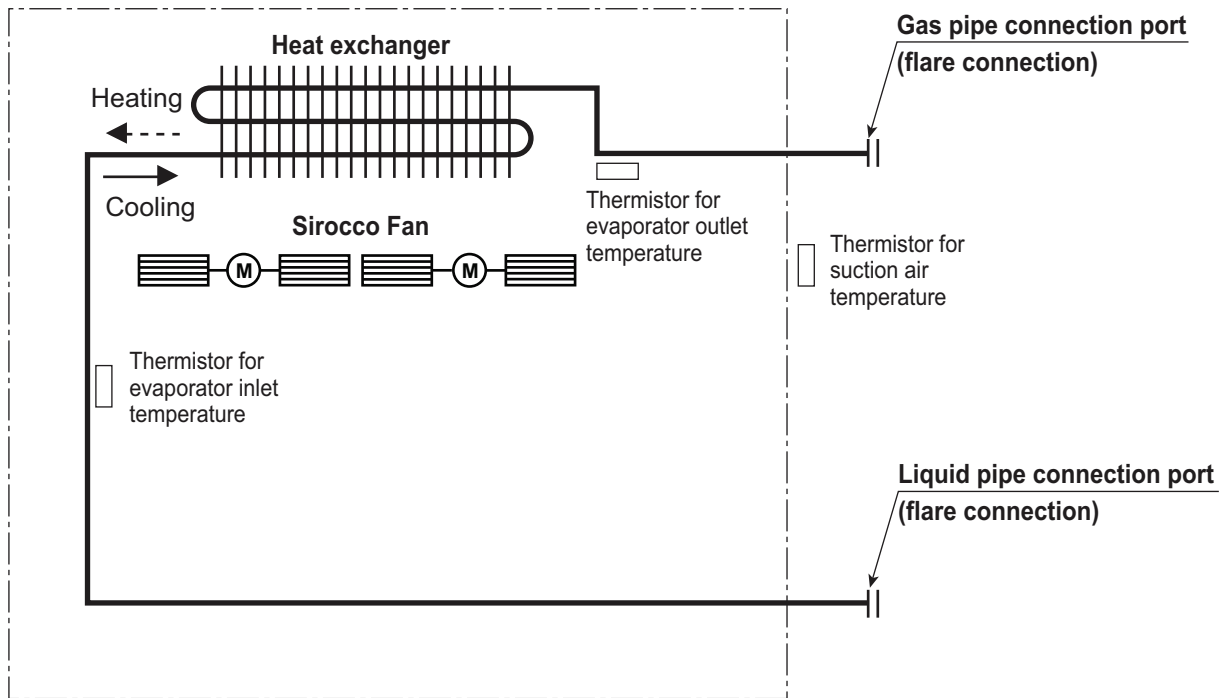
# 4. Piping Diagrams

## ■ ZBNW09GL5A1 [CL09F N50] / ZBNW12GL5A1 [CL12F N50]



Description	PCB Connector
Thermistor for suction air temperature	CN-ROOM
Thermistor for evaporator inlet temperature	CN-PIPE / IN
Thermistor for evaporator outlet temperature	CN-PIPE / OUT

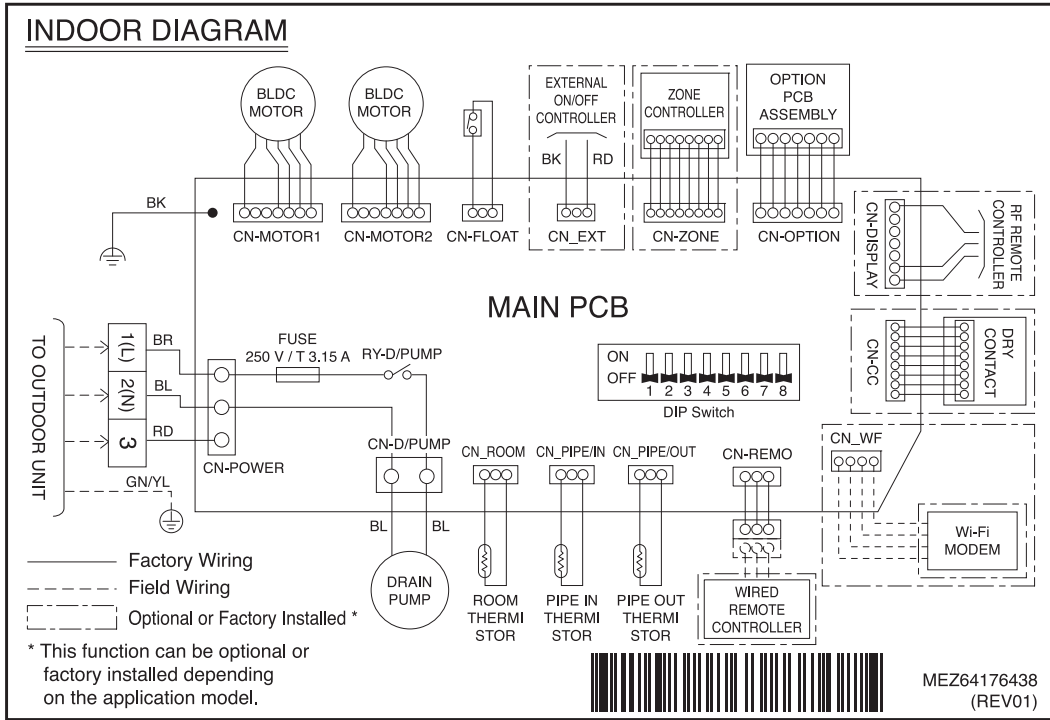
## ■ ZBNW18GL6A1 [CL18F N60] / ZBNW24GL3A1 [CL24F N30]



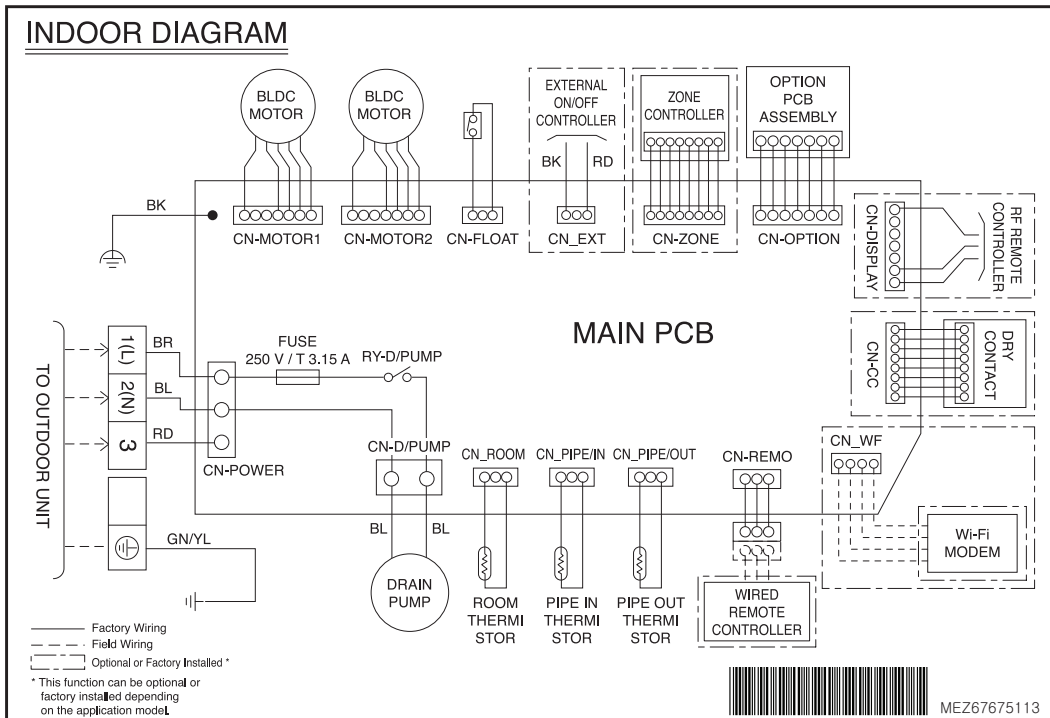
Description	PCB Connector
Thermistor for suction air temperature	CN-ROOM
Thermistor for evaporator inlet temperature	CN-PIPE / IN
Thermistor for evaporator outlet temperature	CN-PIPE / OUT

# 5. Wiring Diagrams

◆ ZBNW09GL5A1 [CL09F N50] / ZBNW12GL5A1 [CL12F N50] ZBNW24GL3A1 [CL24F N30]



◆ Models: ZBNW18GL6A1 [CL18F N60]



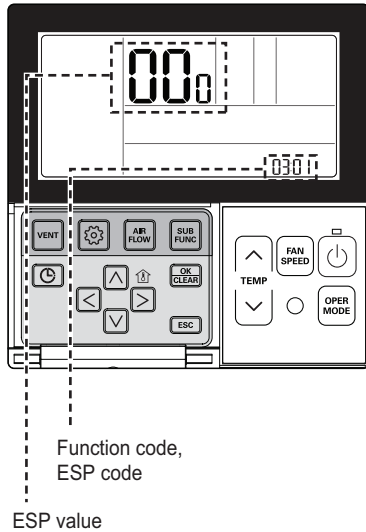
## 6. External Static Pressure & Air Flow



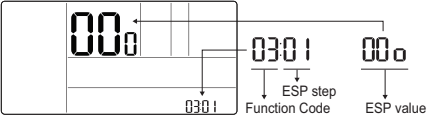
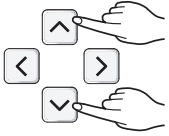
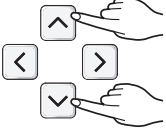

### How to Set E.S.P. on the remote controller?

#### Wired Remote Controller (Standard II)

This is the function that decides the strength of the wind for each wind level and because this function is to make the installation easier.

- If you set ESP incorrectly, the air conditioner may malfunction.
- This setting must be carried out by a certificated-technician.



<p><b>1</b> If pressing  button long for 3 seconds, it enters into remote controller setter setup mode. - If pressing once shortly, it enters into user setup mode. Please press more than 3 seconds for sure.</p> 	<p><b>4</b> Move to ESP value setting by pressing  button. (It is 000 when delivering from the warehouse.)</p>  <p>0301 000</p>
<p><b>2</b> If entering into ESP setup mode by using  button, it indicates as the picture below.</p> 	<p><b>5</b> Press   button to setup ESP value. (It is possible to setup ESP value from 1 to 255, and 1 is the smallest and 255 is the biggest.)</p> 
<p><b>3</b> Select ESP fan step by pressing   button. (01: very low, 02: low, 03: medium, 04: high, 05: very high)</p> <p>0301</p> 	<p><b>6</b> Select ESP fan step again by using   button and setup ESP value, as No. 4 and 5, that corresponds each wind flow</p> <p><b>7</b> Press  button to save.</p> 
	<p><b>8</b> Press  button to exit. * After setup, it automatically gets out of setup mode if there is no button input for 25 seconds. * When exiting without pressing set button, the manipulated value is not reflected.</p>

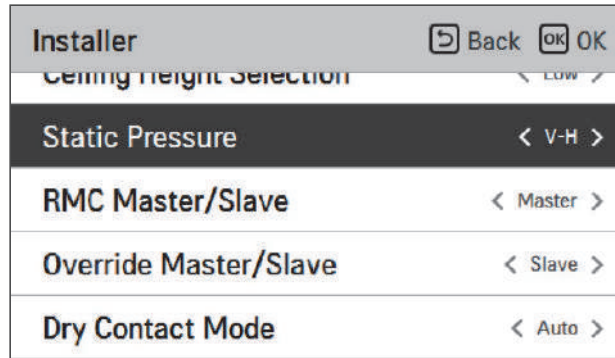
- When setting ESP value on the product without very weak wind or power wind function, it may not work.
- Please be careful not to change the ESP value for each fan step.
- It does not work to setup ESP value for very low/power step for some products.
- ESP value is available for specific range belongs to the product.

## 6. External Static Pressure & Air Flow

### Wired Remote Controller (Standard III)

Static pressure setting can be set only in the duct products. (It cannot be set in other products.)

- You can set the following setting values using [<,>(left/right)] button.



Static pressure		Description	
		Variable / Fixed	ESP default value
Variable high static pressure	V-H	Variable	High static pressure(High)
Fixed high static pressure	F-H	Fixed	High static pressure(High)
Variable low static pressure	V-L	Variable	Low static pressure(Low)
Fixed low static pressure	F-L	Fixed	Low static pressure(Low)

- 2TH function's operation characteristics may be different for each product.

## 6. External Static Pressure & Air Flow

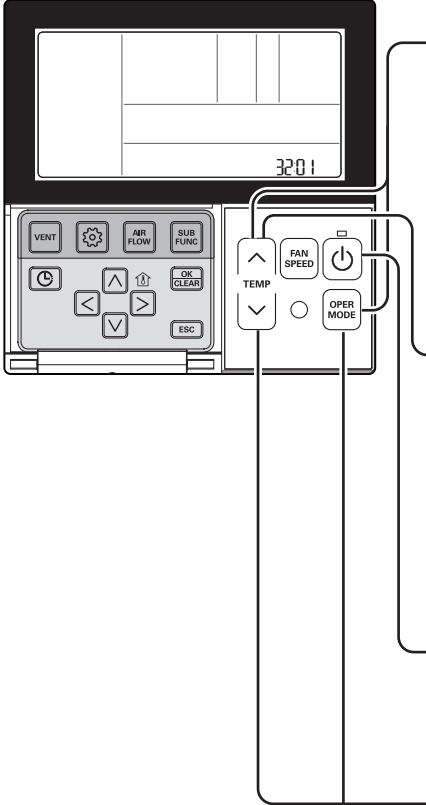
### ■ Installer Setting - Static Pressure Step Setting



#### Wired Remote Controller (Standard II)


This function is applied to only duct type. Setting this in other cases will cause malfunction.



This function is only available on some products.

This is the function that static pressure of the product is divided in 11 steps for setting.






- 1** When pressing the  button and  button simultaneously for more than 3 seconds, the system will be entered into the installer setting mode.

- After entering into the installer setting mode, select the static pressure step setting code value by pressing the  button.

\* Static pressure step setting code value : 32
- 2** Select the desired setting value with the temperature up(  ), down(  ) button.

**32:01**

Function Code   Existing condition

00: use static pressure (code 06) set value  
01~ 11: static pressure step (code 32) set value
- 3** When pressing  button, currently established static pressure value will be set up.
- 4** When pressing the  button and  button simultaneously for more than 3 seconds after the setting has been completed, the setting mode will be released.

- If there isn't any button input for more than 25 seconds, the installer setting mode will also be released.

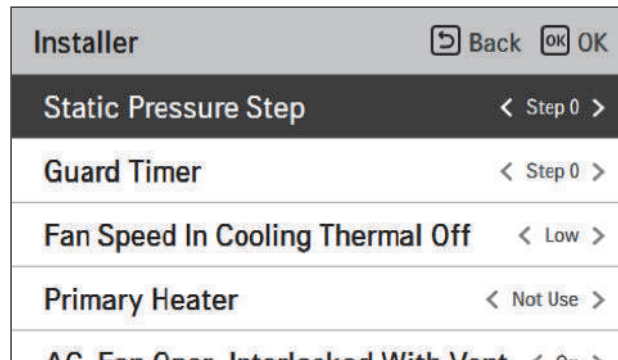
- Static Pressure (Code 06) setting will not be used if Static Pressure Step (Code 32) setting is being used.
- For the static pressure value for each step, refer to the next page Table. 1

## 6. External Static Pressure & Air Flow

### Wired Remote Controller (Standard III)

It is the function to subdivide and set the product's static pressure to 11 stages.

- Change setting values using [<, >] (left/right) button.



Value
Step 0 ~ Step 11

#### ! NOTE

If Static pressure step setting is used, the Static pressure setting is not used.  
For the Static pressure step value for each stage, refer to the indoor unit product manual



## 6. External Static Pressure & Air Flow

■ Table 1

Model	Step	CMM	Static Pressure[mmAq(Pa)]					
			0(0)	1(10)	2(20)	3(29)	4(39)	5(49)
			Setting Value					
			32:01	32:02	32:03	32:04	32:05	32:06
ZBNW09GL5A1 [CL09F N50] ZBNW12GL5A1 [CL12F N50]	LOW	8.0	76	87	96	106	116	116
	MID	9.5	87	96	106	114	120	120
	HIGH	11.5	101	109	118	125	130	130

Model	Step	CMM	Static Pressure[mmAq(Pa)]					
			0(0)	1(10)	2(20)	3(29)	4(39)	5(49)
			Setting Value					
			32:01	32:02	32:03	32:04	32:05	32:06
ZBNW18GL6A1 [CL18F N60]	LOW	10.0	82	87	90	96	106	116
	MID	12.5	92	98	105	109	119	128
	HIGH	15.0	100	106	112	122	129	137

Model	Step	CMM	Static Pressure[mmAq(Pa)]					
			0(0)	1(10)	2(20)	3(29)	4(39)	5(49)
			Setting Value					
			32:01	32:02	32:03	32:04	32:05	32:06
ZBNW24GL3A1 [CL24F N30]	LOW	12.0	89	95	102	106	120	130
	MID	16.0	102	108	115	125	131	139
	HIGH	20.0	125	131	136	141	142	147

## 6. External Static Pressure & Air Flow

■ Table 2

◆ ZBNW09GL5A1 [CL09F N50] / ZBNW12GL5A1 [CL12F N50]

Setting Value	Static Pressure [mmAq(Pa)]					
	0 (0)	1 (10)	2 (20)	3 (30)	4 (40)	5 (50)
Air Flow Rate [m <sup>3</sup> /min]						
75	8.00	6.72	-	-	-	-
80	8.70	7.31	6.26	-	-	-
85	9.35	7.94	6.81	5.77	-	-
90	9.95	8.63	7.40	6.28	5.27	-
95	10.70	9.38	8.04	6.82	5.73	4.93
100	11.50	10.09	8.74	7.41	6.23	5.36
105	12.08	10.85	9.50	8.06	6.77	5.82
110	12.68	11.54	10.26	8.95	7.36	6.33
115	-	12.12	11.08	9.73	8.00	6.88
120	-	-	11.63	10.58	9.50	7.97
125	-	-	-	11.50	10.58	9.42
130	-	-	-	-	11.50	10.47

◆ ZBNW18GL6A1 [CL18F N60] / ZBNW24GL3A1 [CL24F N30]

Setting Value	Static Pressure [mmAq(Pa)]					
	0 (0)	1 (10)	2 (20)	3 (30)	4 (40)	5 (50)
Air Flow Rate [m <sup>3</sup> /min]						
85	10.19	-	-	-	-	-
90	12.18	10.71	11.09	-	-	-
95	13.81	12.34	12.19	-	-	-
100	15.16	13.69	13.38	10.71	-	-
105	16.30	14.83	14.36	11.85	-	-
110	17.31	15.85	15.23	12.86	10.97	-
115	18.27	16.80	16.07	13.82	11.93	-
120	19.26	17.79	16.93	14.80	12.91	10.49
125	20.34	18.87	17.89	15.88	13.99	11.57
130	21.60	20.13	19.01	17.14	15.25	12.83
135	-	21.64	20.36	18.66	16.76	14.35
140	-	-	22.01	20.50	18.61	16.19
145	-	-	-	22.75	20.86	18.44

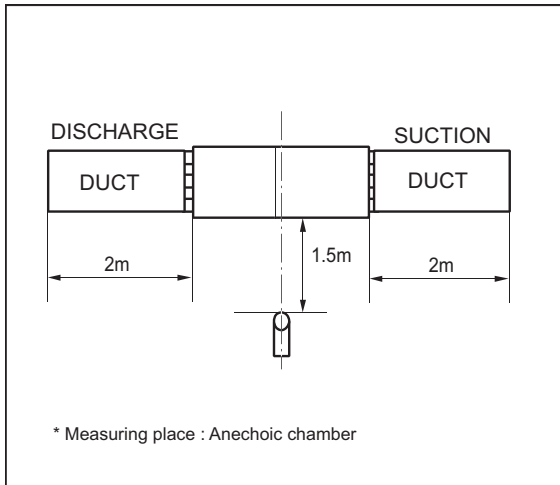
**Note**

1. The above table shows the correlation between the air rates and E.S.P.

# 7. Sound Levels

## 7.1 Sound Pressure Level

### Overall

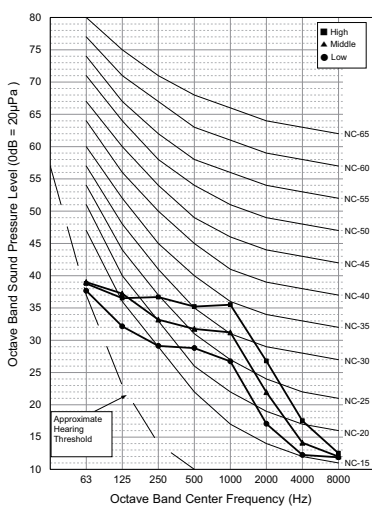


**Note**

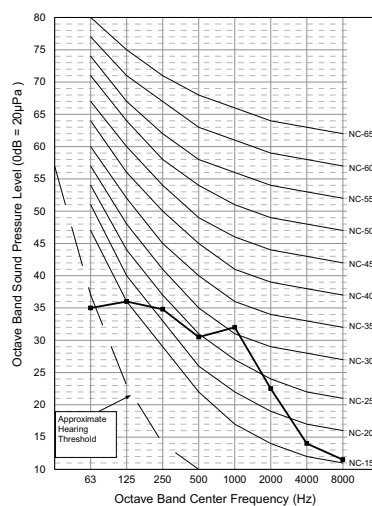
1. Sound measured at some distance away from the center of the unit.
2. Data is valid at free field condition.
3. Reference acoustic pressure 0dB = 20μPa.
4. Data is valid at nominal operation condition.  
Refer to the Model Specifications for nominal conditions(Power source and Ambient temperature, etc)
5. Sound levels can be increased in accordance with installation and operating conditions. (Static pressure mode, used air guide, Room target temperature setting, etc)
6. Sound level will vary depending on a range of factors such as the construction(acoustic absorption coefficient) of particular room in which the equipment is installed.
7. Sound pressure level is measured on the rated condition in the anechoic rooms. (LG Internal Standard)  
Therefore, these values can be increased owing to ambient conditions during operation.

Model	50Hz, 220-240V		
	Sound Level [dB(A)]		
	H	M	L
ZBNW09GL5A1 [CL09F N50] ZBNW12GL5A1 [CL12F N50]	35	30	27
ZBNW18GL6A1 [CL18F N60]	34	31	29
ZBNW24GL3A1 [CL24F N30]	39	35	32

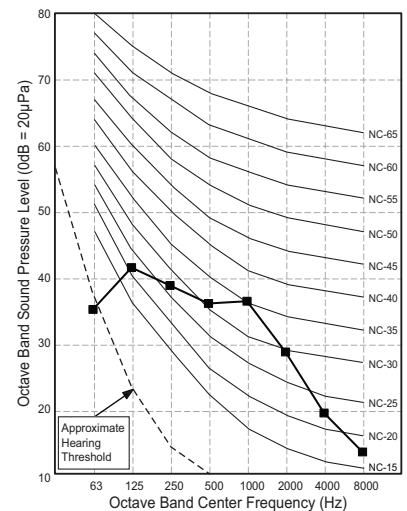
**ZBNW09GL5A1 [CL09F N50]  
ZBNW12GL5A1 [CL12F N50]**



**ZBNW18GL6A1 [CL18F N60]**



**ZBNW24GL3A1 [CL24F N30]**



# 7. Sound Levels

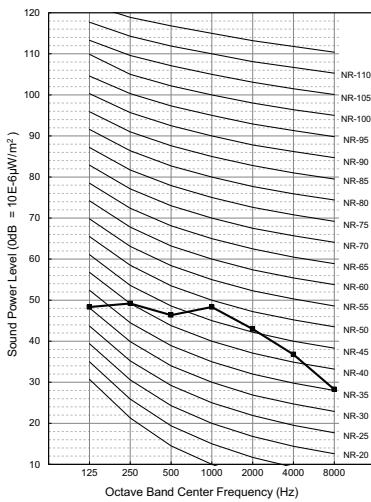
## 7.2 Sound Power Level

### Note

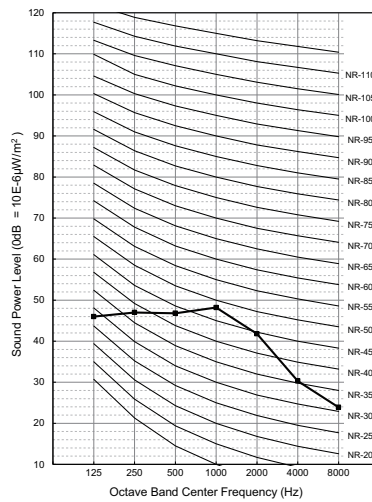
1. Data is valid at diffuse field condition.
2. Data is valid at nominal operation condition.  
Refer to the Model Specifications for nominal conditions(Power source and Ambient temperature, etc)
3. Sound level can be increased in static pressure mode or used air guide.
4. Sound level will vary depending on a range of factors such as the construction (acoustic absorption coefficient).
5. Reference acoustic intensity 0dB =  $10E-6\mu W/m^2$
6. Sound power level is measured on the rated condition in the reverberation rooms by ISO 3741 standard.  
Therefore, these values can be increased owing to ambient conditions during operation.

Model	Sound power level [dB(A)]
	Cooling
ZBNW09GL5A1 [CL09F N50] ZBNW12GL5A1 [CL12F N50]	55
ZBNW18GL6A1 [CL18F N60]	56
ZBNW24GL3A1 [CL24F N30]	58

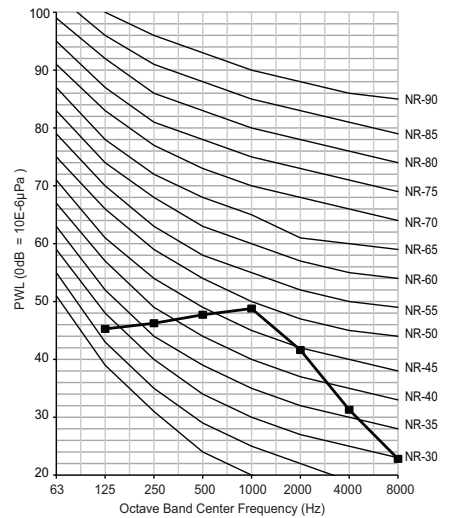
**ZBNW09GL5A1 [CL09F N50]  
ZBNW12GL5A1 [CL12F N50]**



**ZBNW18GL6A1 [CL18F N60]**



**ZBNW24GL3A1 [CL24F N30]**

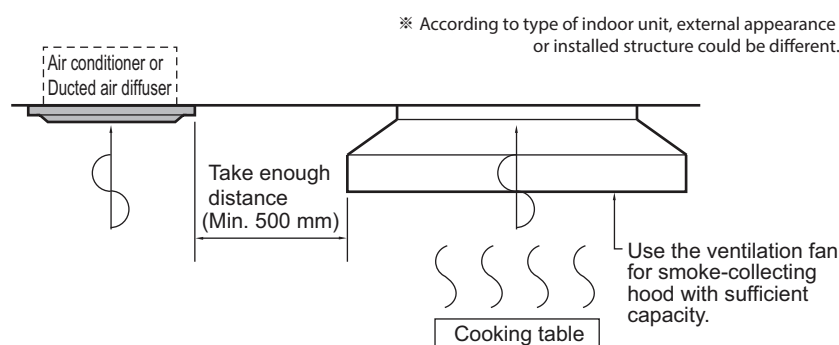


## 8. Installation

- Please read the instruction sheets completely before installing the product.
- When the power cord is damaged, replacement work shall be performed by authorized personnel only.
- Installation work must be performed in accordance with the national wiring standards.
- Teach the customer the operation and maintenance procedures, using the operation manual. (air filter cleaning, temperature control, etc.)

### 8.1 Selection of the best location

- The unit must be installed indoor area.
- Do not install the unit near the door.
- There should not be any obstacles to the air circulation or installation. Ensure the spaces from the wall, ceiling, or other obstacles.
- The place where the indoor unit can be connected with outdoor unit easily.
- The place where the unit is leveled.
- The place shall allow easy water drainage.
- The place where bear a load exceeding four times of the indoor unit weight.
- The mounting ceiling or wall should be solid enough to protect it from the vibration.
- The place where the unit is not affected by an electrical noise.
- The place where noise prevention is taken into consideration.
- The place where the maintenance space for product is sufficient. (The servicing inspection hole of the ceiling should be larger than the indoor unit.)
- The selection of the servicing inspection hole should be approved by the customer.
- There should not be any heat source or steam near the unit. Avoid the following installation location.
  1. Such places as restaurants and kitchen where considerable amount of oil steam and flour is generated. These may cause heat exchange efficiency reduction, or water drops, drain pump mal-function. In these cases, take the following actions;
    - Make sure that ventilation fan is enough to cover all noxious gases from this place.
    - Ensure enough distance from the cooking room to install the air conditioner in such a place where it may not suck oily steam.



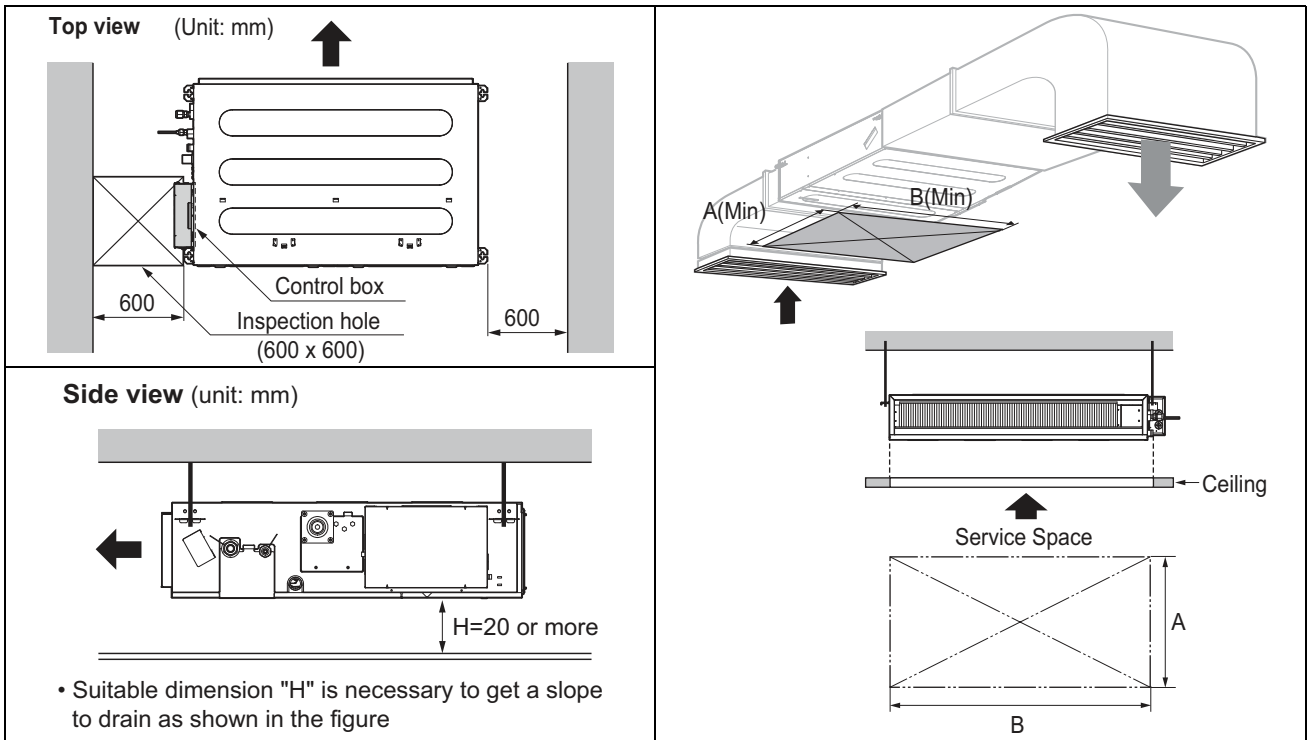
2. Avoid installing air conditioner in such places where cooking oil or iron powder is generated.
3. Avoid places where inflammable gas is generated.
4. Avoid place where noxious gas is generated.
5. Avoid places near high frequency generators.

# 8. Installation

## ⚠ CAUTION

- If the temperature rise above 30°C or the humidity rise above RH 80%, the dew-protective kit should be equipped or use additional insulation to the indoor unit body.
  - "Dew Protective kit" is sold separately.
  - Use the glass wool material or polyethylene foam and it make sure to be thick of 10mm at least.

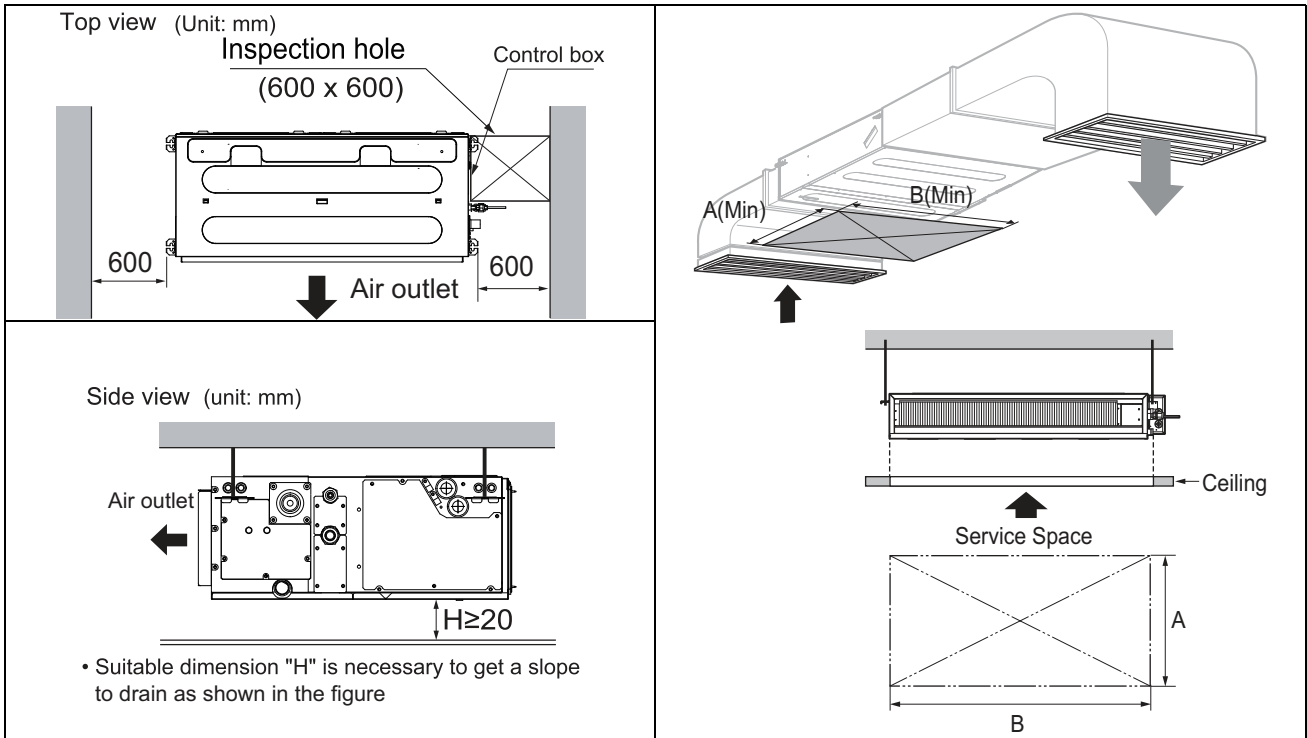
### ◆ L1 / L2 / L3



Chassis code	A [mm]	B [mm]
L1	800	800
L2	800	1,000
L3	800	1,200

# 8. Installation

◆ L4 / L5 / L6



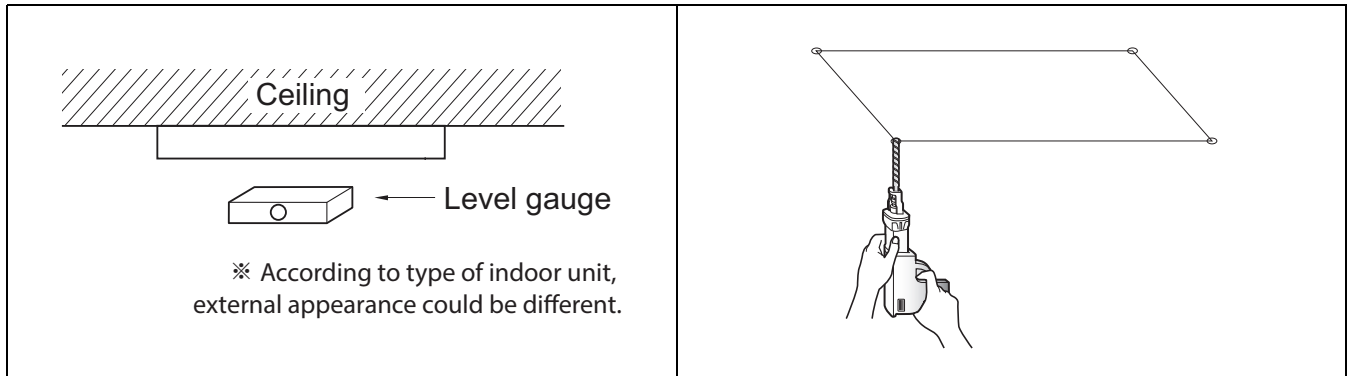
Chassis code	A [mm]	B [mm]
L4	600	800
L5	600	1,000
L6	600	1,200

## 8. Installation

### 8.2 Ceiling dimension and hanging bolt location

#### ⚠ CAUTION

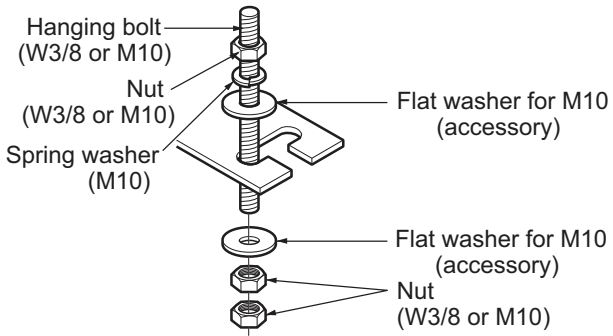
- During the installation, care should be taken not to damage electric wires.
- In case of using a drain pump, install the unit horizontally using a level gauge.



1. The dimensions of the paper model for installation are the same as those of the ceiling opening dimensions.
2. Select and mark the position for fixing bolts and piping hole.
3. Decide the position for fixing bolts slightly tilted to the drain direction after considering the direction of drain hose.
4. Drill the hole for anchor bolt on the wall or ceiling.
  - Insert the set anchor and washer onto the suspension bolts for locking the suspension bolts on the ceiling.
  - Mount the suspension bolts to the set anchor firmly.
  - Secure the installation plates onto the suspension bolts (adjust level roughly) using nuts, washers and spring washers.
5. In case of ducted type unit, apply a joint-canvas between the unit and duct to absorb unnecessary vibration.



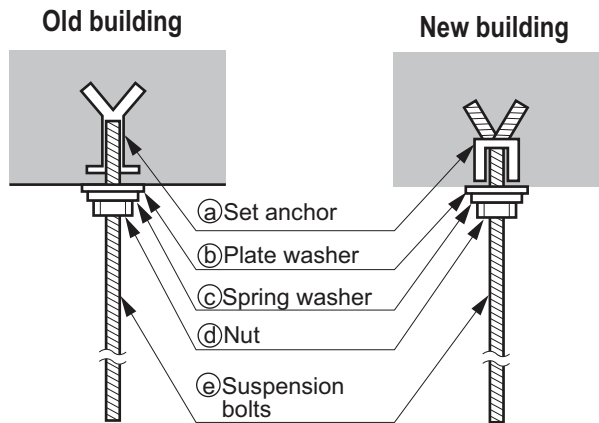
# 8. Installation



- The following parts are local purchasing.
  1. Hanging bolt - W 3/8 or M10
  2. Nut - W 3/8 or M10
  3. Spring washer - M10
  4. Plate washer - M10

**⚠ CAUTION**

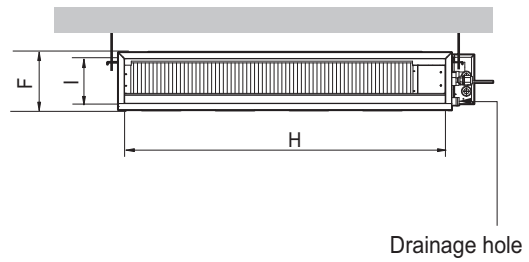
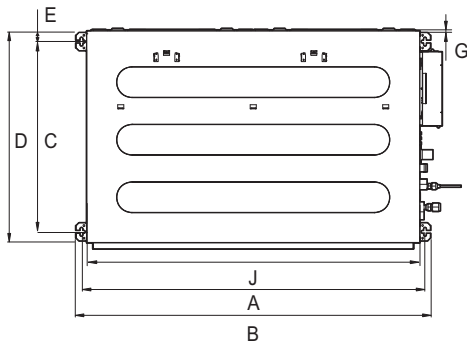
- Tighten the nut and bolt to prevent the unit from falling.
- When mechanical connectors are reused indoors, sealing parts shall be renewed. (for R32)
- When flared joints are reused indoors, the flare part shall be re-fabricated. (for R32)



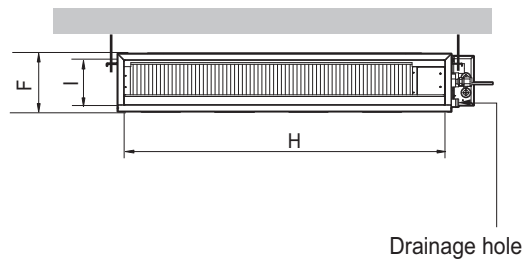
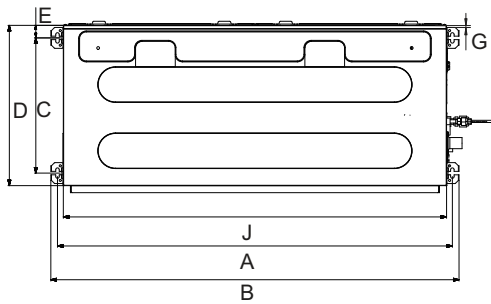
## 8. Installation

### Installation of Unit

Install the unit above the ceiling correctly.



Chassis	Dimension (mm)									
	A	B	C	D	E	F	G	H	I	J
L1	733	772	628	700	36	190	20	660	155	700
L2	933	972	628	700	36	190	20	860	155	900
L3	1,133	1,172	628	700	36	190	20	1,060	155	1,100



Chassis	Dimension (mm)									
	A	B	C	D	E	F	G	H	I	J
L4	733	772	338	460	36	190	20	660	148	700
L5	933	972	338	460	36	190	20	860	148	900
L6	1,133	1,172	338	460	36	190	20	1,060	148	1,100

## 8. Installation

---

### 8.3 Connecting cables between Indoor Unit and Outdoor Unit

#### 8.3.1 General instructions

- All field supplied parts and materials, electric works must conform to local codes. Use copper wire only.
  - Follow the "**WIRING DIAGRAM**" attached to the unit body to wire the outdoor unit, indoor units and the remote controller.
  - All wiring must be performed by an authorized electrician.
  - A circuit breaker capable of shutting down the power supply to the entire system must be installed.
- 

#### CAUTION

After the confirmation of the above conditions, prepare the wiring as follows:

- Never fail to have separate power specially for the air conditioner.
  - Provide a circuit breaker switch between power source and the unit.
  - Confirm the Specification of power source.
  - Confirm that electrical capacity is sufficient.
  - Be sure that the starting voltage is maintained at more than 90 percent of the rated voltage marked on the name plate.
  - Confirm that the cable thickness is as specified in the power sources specification.  
(Particularly note the relation between cable length and thickness.)
  - Do not install the leakage breaker in a place which is wet or moist.  
Water or moist may cause short circuit.
  - The following troubles would be caused by voltage drop-down.
    - » Vibration of a magnetic switch, damage on the contact point there of, fuse breaking, disturbance to the normal function of a overload protection device.
    - » Proper starting power is not given to the compressor.
- 

#### 8.3.2 Wiring connection

- Connect the wires to the terminals on the control board individually according to the outdoor unit connection.
- Ensure that the color of the wires of outdoor unit and the terminal No. are the same as those of indoor unit respectively.
- In case of the system with multiple indoor units, mark each indoor unit as unit A, unit B, etc and be sure the terminal board wiring to the outdoor unit and indoor units are properly matched. If wiring and piping between the outdoor unit and an indoor unit are mismatched, the system may cause a malfunction.

#### 8.3.3 Clamping of cables

1. Arrange 2 power cables on the control panel.
2. First, fasten the steel clamp with a screw to the inner boss of control panel.
3. For connecting of communication (transmission) cable, put the cable(or thinner cable) on the clamp and tighten it with a plastic clamp to the other boss of the control panel. In case that communication (transmission) cable is not needed to connect, fix the other side of the clamp with a screw strongly.

## 8. Installation

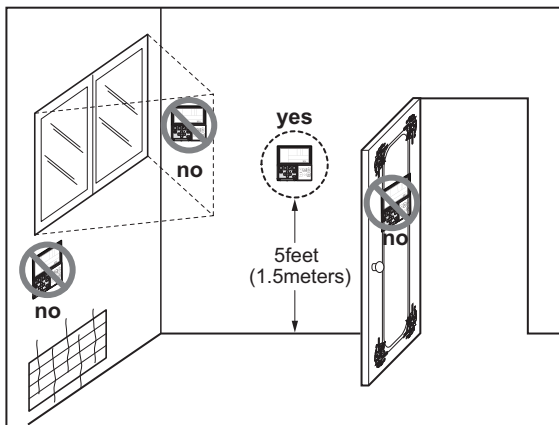
### ⚠ WARNING

- Make sure that the screws of the terminal are fixed tightly.
- The screw which fasten the wiring in the casing of electrical fittings are liable to come loose from vibrations to which the unit is subjected during the course of transportation. Check them and make sure that they are all tightly fastened. (If they are loose, it could give rise to burn-out of the wires.)
- Make sure to attach the sealing material or (field supplied) to hole of wiring to prevent the infiltration of foreign particle from outside. Otherwise a short-circuit may occur inside the electric parts box.
- When clamping the wires, be sure no pressure is applied to the wire connections by using the included clamping material to make appropriate clamps. Also, when wiring, make sure the cover on the electric parts box fits snugly by arranging the wires neatly and attaching the electric parts box cover firmly. When attaching the electric parts box cover, make sure no wires get caught in the edges. Pass wiring through the wiring through holes to prevent damage to them.
- Make sure the remote controller wiring, the wiring between the units, and other electrical wiring do not pass through the same locations outside of the unit, separating them properly, otherwise electrical noise (external static) could cause product malfunction.

### 8.3.4 Wire Remote Controller Installation (Optional)

Since the room temperature sensor is in the remote controller, the remote controller box should be installed in a place away from direct sunlight, high humidity and direct supply of cold air to maintain proper space temperature.

Install the remote controller about 5ft(1.5m) above the floor in an area with good air circulation at an average temperature.



#### • Do not install the remote controller where it can be affected by :

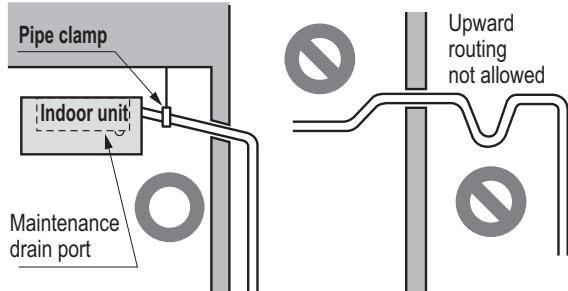
- Drafts, or dead spots behind doors and in corners.
- Hot or cold air from ducts.
- Radiant heat from sun or appliances.
- Concealed pipes and chimneys.
- Uncontrolled areas such as an outside wall behind the remote controller.
- This remote controller is equipped with a seven segment LED. display. For proper display of the remote controller LED's, the remote controller should be installed properly. (The standard height is 1.2~1.5 m from floor level.)

## 8. Installation

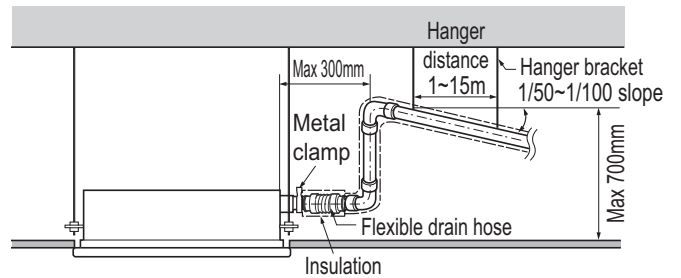
### 8.4 Indoor Unit Drain Piping

#### 8.4.1 Drain piping of indoor unit with drain pump

- Drain piping must have down-slope (1/50 to 1/100). Be sure not to provide up-and-down slope to prevent reversal flow.
- During drain piping connection, be careful not to exert force on the drain port on the indoor unit.
- The outside diameter of the drain connection on the indoor unit is 32 mm (1-1/4 inch).
  - Piping material: Use the Polyvinyl chloride pipe, 25 mm (1 inch) pipe fittings.

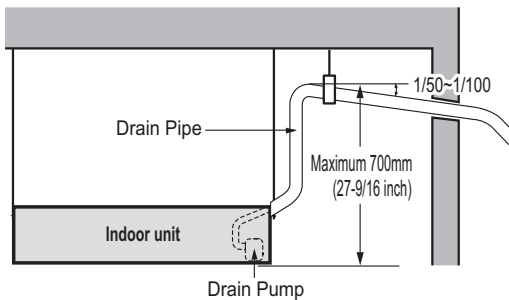


※ According to type of indoor unit, external appearance could be different.

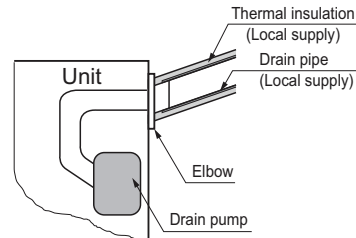


※ According to type of indoor unit, external appearance could be different.

- Possible drain head height is upto 700 mm (27-6/19 inch). So the drain head should be installed below 700 mm (27-6/19 inch).
- Be sure to install heat insulation on the drain piping.
  - Heat insulation material: Polyethylene foam with thickness more than 8 mm (5/16 inch).



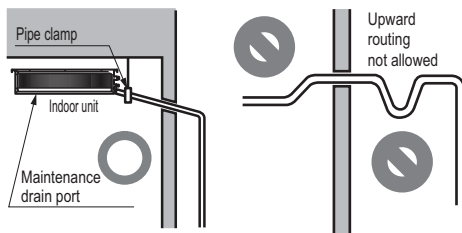
※ According to type of indoor unit, external appearance could be different.



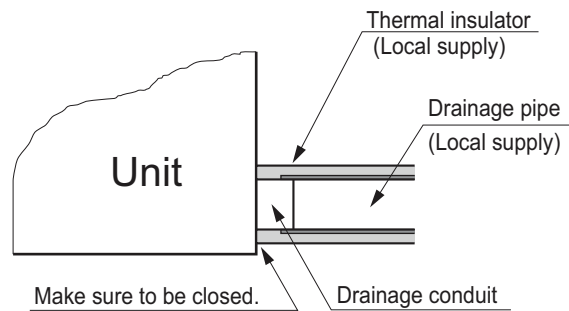
## 8. Installation

### 8.4.2 Drain pipe connection without drain pump

- Drain piping must have down-slope (1/50 to 1/100). Be sure not to provide up-and-down slope to prevent reversal flow.
- During drain piping connection, be careful not to exert force on the drain port on the indoor unit.
- The outside diameter of the drain connection on the indoor unit and drain piping fittings should be referenced from 'Specifications' of each models.
  - Piping material: Use the Polyvinyl chloride pipe.
- Be sure to install heat insulation on the drain piping.
  - Heat insulation material: Polyethylene foam with thickness more than 8 mm (5/16 inch).



\* U-trap is not required for low static model in which the external static pressure is below 50 pa(5mm Aq)



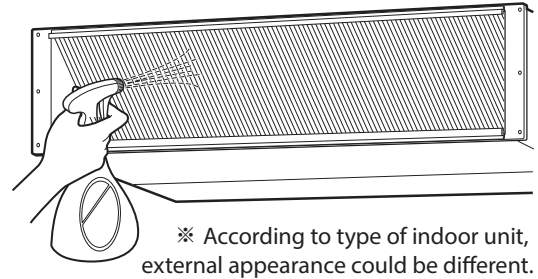
## 8. Installation

### 8.4.3 Method of Drainage test

#### ◆ Drainage test of indoor unit

Use the following procedure to test the drainage.

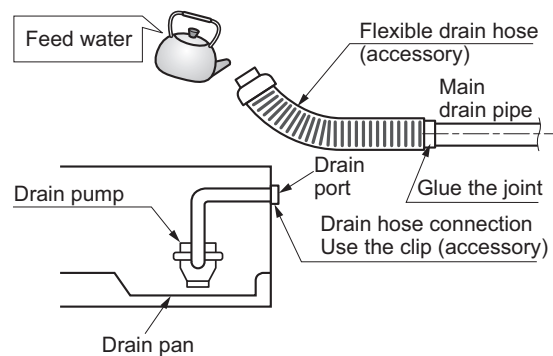
1. In case that there are air filter, remove the air filter first.
2. Spray one or two glasses of water on the evaporator.
3. Check the drainage. Ensure that water flows through drain hose of indoor unit without any leakage.



#### ◆ Drainage test of indoor unit with drain pump

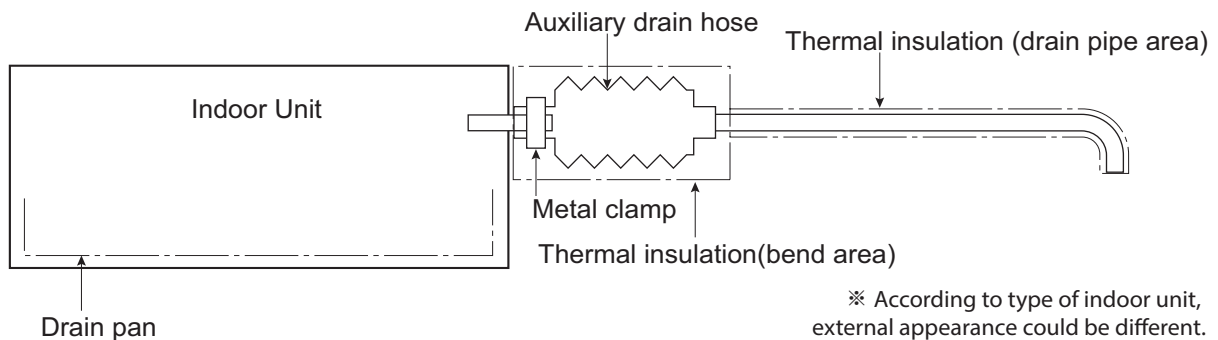
Use the following procedure to test the drain pump operation.

1. Connect the main drain pipe to the exterior and leave it provisionally until the test comes to an end.
2. Feed water to the flexible drain hose and check the piping for leakage.
3. Be sure to check the drain pump for normal operating and noise when electrical wiring is complete.
4. When the test is complete, connect the flexible drain hose to the drain port on the indoor unit.



### 8.4.4 Connection of an auxiliary(flexible) drain hose

- To connect drain pipe to the drain socket on the indoor unit, an auxiliary flexible drain hose should be used. auxiliary flexible drain hose allows that the drain pipe can be connected to the socket without breaking by excessive strain.



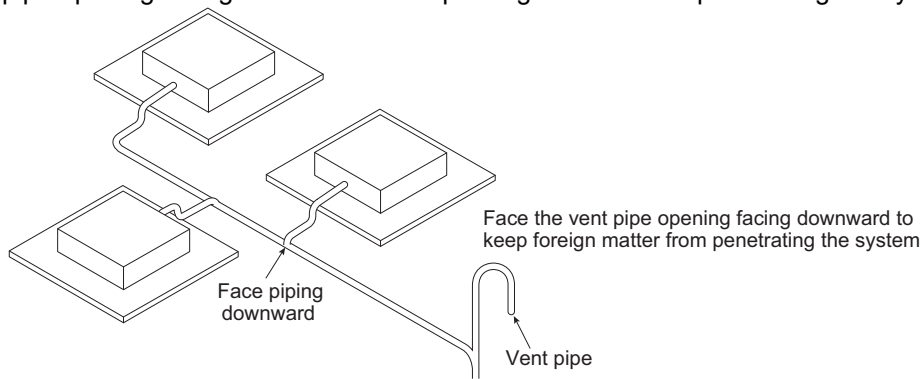
#### ⚠ CAUTION

- The supplied flexible drain hose should not be curved, neither screwed. The curved or screwed hose may cause a leakage of water.
- It is need to insulate the auxiliary drain hose with thermal insulation material.

## 8. Installation

### 8.4.5 Ground drain piping

- It is standard work practice to make connections to the main pipe from above. The pipe down from the combination should be as large as possible.
- The pipe work should be kept as short as possible and the number of indoor units per group kept to a minimum.
- Face the vent pipe opening facing downward to keep foreign matter from penetrating the system.





# **MULTI/SINGLE**

Indoor unit

## **Ceiling Suspended Unit**

- 1.List of Functions**
- 2.Specifications**
- 3.Dimensions**
- 4.Piping diagrams**
- 5.Wiring diagrams**
- 6.Air flow and temperature distribution**
- 7.Sound levels**
- 8.Installation**

# 1. List of functions

## ◆ List of function

Category	Functions	ZVNW18GM1A1 [UV18F N10] ZVNW24GM1A1 [UV24F N10] ZVNW30GM1A1 [UV30F N10] ZVNW36GM2A1 [UV36F N20] ZVNW42GM2A1 [UV42F N20] ZVNW48GM2A1 [UV48F N20] ZVNW60GM2A1 [UV60F N20]
Air Flow	Air Supply Outlet	1
	Airflow Direction Control (left & right)	X
	Airflow Direction Control (up & down)	Auto
	Auto Swing (left & right)	X
	Auto Swing (up & down)	O
	Airflow Steps (fan/cool/heat)	4 / 5 / 5
	Fan Speed Auto*	X
	Power Cool/Heat	O / O
	Swirl Wind*	X
	Refresh Mode**	X
	Smart Mode**	X
	Indirect Wind*	X
	Direct Wind*	X
Dry Operation	O	
Air Purification	Air Purify	X
	Ionizer	X
	UV-C	X
	Pre-Filter	O
	PM1.0 Filter	X
Reliability	Hot Start	O
	Self Diagnosis	O
Convenience	Auto Mode	O
	Auto Dry Operation	O
	Auto Restart	O
	Child Lock*	O
	Forced Operation	O
	Group Control*	O
	Sleep Timer	O
	Turn On/Off Reservation	O
	Schedule*	O
	Two Thermistor Control*	O
External On/Off	O	
Installation	Drain Pump	X
	E.S.P. Control*	X
	High Ceiling Operation*	X
Special Functions	Wi-Fi	Accessory
	Auto Elevation Grille	X
	Human Detection Function**	X
	Floor Detection Function**	X

### Note

- O : Applied, X : Not Applied, - : Unconfirmed or irrelevant  
Embedded : A kit is provided by default for using this function when the product is manufactured.  
Accessory : Ordered and purchased separately the accessory package referring to the model name provided and install at field. Accessory line-ups varies by region, so check your local catalogue or local sales material.
- Some functions can be limited by remote controller.
- In case of cassette type indoor units, Air Purification Kit and Auto Elevation Grille functions are not applicable at the same time.
- 'Auto Mode' varies depending on the outdoor unit type.  
- Auto Change Over(Single Heat Pump Outdoor Unit)  
- Auto Mode Select(Multi Heat Pump Outdoor Unit)  
- Auto Intensity Control(Cooling Only Outdoor Unit)
- \* : These functions need to connect the wired remote controller.
- \*\* : This functions need to connect to the Standard III wired remote controller.

# 1. List of functions

## ◆ Accessory Compatibility List

Category		Product	Remark	ZVNW18GM1A1 [UV18F N10] ZVNW24GM1A1 [UV24F N10] ZVNW30GM1A1 [UV30F N10] ZVNW36GM2A1 [UV36F N20] ZVNW42GM2A1 [UV42F N20] ZVNW48GM2A1 [UV48F N20] ZVNW60GM2A1 [UV60F N20]
Wireless Remote Controller		PQWRHQ0FDB	Heat Pump	O (Embedded)
		PWLSSB21H	Heat Pump	O
Wired Remote Controller	Simple	PQRCVCL0Q(W)	Simple	X
		PQRCHCA0Q(W)	for Hotel	X
	Standard	PREMTB001	Standard II (White)	O
		PREMTBB01	Standard II (Black)	O
		PREMTB100	Standard III (White)	O
		PREMTBB10	Standard III (Black)	O
	Premium	PREMTA000(A/B)	Premium	O
Dry contact	Simple Contact	PDRYCB000	Simple Dry Contact	O
	Communication type	PDRYCB400	2 Points Dry Contact (For Setback)	O
		PDRYCB300	For 3rd Party Thermostat	O
		PDRYCB320	For 3rd Party Thermostat (Analog Input)	O
		PDRYCB500	For Modbus	O
Gateway	IDU PI485	PHNFP14A0	Without case	X
		PSNFP14A0	With case	X
ETC	Remote temperature sensor	PQRSTA0	-	O
	Zone controller	ABZCA	-	X
	CO <sub>2</sub> Sensor	PES-C0RV0	For ERV, ERV DX Indoor units	X
	Group control wire	PZCWRCG3	0.25m	O
	2-Remo Control Wire	PZCWRC2	0.25m	O
	Extension Wire	PZCWRC1	10m	O
	Wi-Fi Controller*	PWFMDD200	-	O
	Human detecting sensor	PTVSAA0	-	X
Drain Pump	ABDPG	-	X	

### Note

1. O: Possible, X: Impossible, -: Not applicable, Embedded: Included with product.
2. \*: Some advanced functions controlled by individual controller cannot be operated.
3. If there is a difference in development time between the product and the remote controller, some functions cannot be operated.
4. Selecting a wireless remote controller in case of ducted type indoor units requires either a connection to the wired remote controller (Standard II) or an IR receiver accessory to be connected to the duct in order to receive the signal.
5. If you need more detail, please refer to the **BECON** PDB or the manual of product. (<http://partner.lge.com/global> : Home> Doc.Library> Product > Control(BECON))

## 2. Specifications

Model Name			Unit	ZVNW18GM1A1 [UV18F N10]	ZVNW24GM1A1 [UV24F N10]
Power Supply			V, Ø, Hz	220-240 / 1 / 50	220-240 / 1 / 50
				220 / 1 / 60	220 / 1 / 60
Capacity(Nominal)	Cooling		kW	5.0	6.7
	Heating		kW	5.8	7.5
Power Input		H / M / L	W	17 / 15 / 13	33 / 26 / 19
Running Current		H / M / L	A	0.55 / 0.54 / 0.53	0.64 / 0.61 / 0.58
		Max.	A	1.00	1.00
Exterior	Color (RAL Code)		-	Morning Fog (9001)	Morning Fog (9001)
Dimensions		W x H x D	mm	1,200 x 235 x 690	1,200 x 235 x 690
Weight	Net		kg	27.3	28.0
	Shipping		kg	34.0	34.5
Heat Exchanger	Rows x Columns x FPI			(2 x 18 x 18) x 1	(3 x 18 x 18) x 1
	Face Area		m <sup>2</sup>	0.31	0.31
Fan Type				Cross flow Fan	Cross flow Fan
Air Flow Rate		H / M / L	m <sup>3</sup> /min	13.0 / 12.0 / 11.0	16.0 / 15.0 / 14.0
Fan Motor	Type			BLDC	BLDC
	Drive			Internal	Internal
	Output		W x No.	85.9 x 1	85.9 x 1
Safety Device				Fuse / Thermal Protector for Fan Motor	
Piping Connections	Liquid Side		mm (inch)	Ø 6.35 (1/4)	Ø 9.52 (3/8)
	Gas Side		mm (inch)	Ø 12.7 (1/2)	Ø 15.88 (5/8)
	Drain Pipe (Natural Drainage)	O.D. / I.D.	mm	Ø 25.0 / 20.5	Ø 25.0 / 20.5
Sound Pressure Level	Cooling	H / M / L	dB(A)	42 / 40 / 39	46 / 45 / 43
	Heating	H / M / L	dB(A)	42 / 40 / 39	46 / 45 / 43
Sound Power Level	Cooling	Rated	dB(A)	55	61
	Heating	Rated	dB(A)	-	-
Power and Communication Cable (included Earth)			No. x mm <sup>2</sup>	4C x 0.75	4C x 0.75

### Note

- Due to our policy of innovation some specifications may be changed without notification.
- Wiring cable size must comply with the applicable local and national code. And "Electric characteristics" chapter should be considered for electrical work and design. Especially the power cable and circuit breaker should be selected in accordance with that.
- Sound Level Values are measured at Noise Measuring chamber accordance with standard. Therefore, these values depend on the ambient conditions and values are normally higher in actual operation(Sound Pressure : LG Internal standard, Sound Power : EN 12102 (ISO 3741).
- Capacities are net capacities and based on the following conditions. Refer to the Outdoor Unit Specifications for calculating the real capacity.
  - Cooling : Indoor Ambient Temp. 27°CDB / 19°CWB, Outdoor Ambient Temp. 35°CDB / 24°CWB
  - Heating : Indoor Ambient Temp. 20°CDB / 15°CWB, Outdoor Ambient Temp. 7°CDB / 6°CWB
  - Interconnected Pipe is standard length and difference of Elevation (Outdoor ~ Indoor Unit) is 0m.

## 2. Specifications

Model Name			Unit	ZVNW30GM1A1 [UV30F N10]
Power Supply			V, Ø, Hz	220-240, 1, 50
				220, 1, 60
Capacity(Nominal)	Cooling		kW	7.7
	Heating		kW	8.6
Power Input		H / M / L	W	47 / 40 / 33
Running Current		H / M / L	A	0.70 / 0.67 / 0.64
		Max.	A	1.00
Exterior	Color (RAL Code)		-	Morning Fog (9001)
Dimensions		W x H x D	mm	1,200 x 235 x 690
Weight	Net		kg	28.0
	Shipping		kg	34.5
Heat Exchanger	Rows x Columns x FPI			(3 x 18 x 18) x 1
	Face Area		m <sup>2</sup>	0.31
Fan Type				Cross flow Fan
Air Flow Rate		H / M / L	m <sup>3</sup> /min	19.0 / 17.5 / 16.0
Fan Motor	Type			BLDC
	Drive			Internal
	Output		W x No.	85.9 x 1
Safety Device				Fuse / Thermal Protector for Fan Motor
Piping Connections	Liquid Side		mm (inch)	Ø 9.52 (3/8)
	Gas Side		mm (inch)	Ø 15.88 (5/8)
	Drain Pipe (Natural Drainage)	O.D. / I.D.	mm	Ø 25.0 / 20.5
Sound Pressure Level	Cooling	H / M / L	dB(A)	46.0 / 44.0 / 43.0
	Heating	H / M / L	dB(A)	46.0 / 44.0 / 43.0
Sound Power Level	Cooling	Rated	dB(A)	62
	Heating	Rated	dB(A)	-
Power and Communication Cable (included Earth)			No. x mm <sup>2</sup>	4C x 0.75

### Note

- Due to our policy of innovation some specifications may be changed without notification.
- Wiring cable size must comply with the applicable local and national code. And "Electric characteristics" chapter should be considered for electrical work and design. Especially the power cable and circuit breaker should be selected in accordance with that.
- Sound Level Values are measured at Noise Measuring chamber accordance with standard. Therefore, these values depend on the ambient conditions and values are normally higher in actual operation(Sound Pressure : LG Internal standard, Sound Power : EN 12102 (ISO 3741).
- Capacities are net capacities and based on the following conditions. Refer to the Outdoor Unit Specifications for calculating the real capacity.
  - Cooling : Indoor Ambient Temp. 27°CDB / 19°CWB, Outdoor Ambient Temp. 35°CDB / 24°CWB
  - Heating : Indoor Ambient Temp. 20°CDB / 15°CWB, Outdoor Ambient Temp. 7°CDB / 6°CWB
  - Interconnected Pipe is standard length and difference of Elevation (Outdoor ~ Indoor Unit) is 0m.

## 2. Specifications

Model Name			Unit	ZVNW36GM2A1 [UV36F N20]	ZVNW42GM2A1 [UV42F N20]
Power Supply			V, Ø, Hz	220-240, 1, 50	220-240, 1, 50
				220, 1, 60	220, 1, 60
Capacity(Nominal)	Cooling		kW	9.5	12.1
	Heating		kW	10.8	13.5
Power Input		H / M / L	W	50 / 35 / 28	50 / 35 / 28
Running Current		H / M / L	A	0.58 / 0.54 / 0.50	0.58 / 0.54 / 0.50
		Max.	A	0.97	0.97
Exterior	Color (RAL Code)		-	Morning Fog (9001)	Morning Fog (9001)
Dimensions		W x H x D	mm	1,600 x 235 x 690	1,600 x 235 x 690
Weight	Net		kg	36.7	36.7
	Shipping		kg	42.8	42.8
Heat Exchanger	Rows x Columns x FPI			3 x 18 x 18	3 x 18 x 18
	Face Area		m <sup>2</sup>	0.46	0.46
Fan Type				Cross Flow Fan	Cross Flow Fan
Air Flow Rate		H / M / L	m <sup>3</sup> /min	28 / 24 / 20	28 / 24 / 20
Fan Motor	Type			BLDC	BLDC
	Drive			Internal	Internal
	Output		W x No.	125 x 1	125 x 1
Safety Device				Fuse / Thermal Protector for Fan Motor	
Piping Connections	Liquid Side		mm (inch)	Ø 9.52 (3/8)	Ø 9.52 (3/8)
	Gas Side		mm (inch)	Ø 15.88 (5/8)	Ø 15.88 (5/8)
	Drain Pipe (Natural Drainage)	O.D. / I.D.	mm	Ø 25.0 / 20.5	Ø 25.0 / 20.5
Sound Pressure Level	Cooling	H / M / L	dB(A)	46 / 43 / 40	46 / 43 / 40
	Heating	H / M / L	dB(A)	46 / 43 / 40	46 / 43 / 40
Sound Power Level	Cooling	Rated	dB(A)	62	62
	Heating	Rated	dB(A)	-	66
Power and Communication Cable (included Earth)			No. x mm <sup>2</sup>	4C x 0.75	4C x 0.75

### Note

- Due to our policy of innovation some specifications may be changed without notification.
- Wiring cable size must comply with the applicable local and national code. And "Electric characteristics" chapter should be considered for electrical work and design. Especially the power cable and circuit breaker should be selected in accordance with that.
- Sound Level Values are measured at Noise Measuring chamber accordance with standard. Therefore, these values depend on the ambient conditions and values are normally higher in actual operation(Sound Pressure : LG Internal standard, Sound Power : EN 12102 (ISO 3741).
- Capacities are net capacities and based on the following conditions. Refer to the Outdoor Unit Specifications for calculating the real capacity.
  - Cooling : Indoor Ambient Temp. 27°CDB / 19°CWB, Outdoor Ambient Temp. 35°CDB / 24°CWB
  - Heating : Indoor Ambient Temp. 20°CDB / 15°CWB, Outdoor Ambient Temp. 7°CDB / 6°CWB
  - Interconnected Pipe is standard length and difference of Elevation (Outdoor ~ Indoor Unit) is 0m.

## 2. Specifications

Model Name			Unit	ZVNW48GM2A1 [UV48F N20]	ZVNW60GM2A1 [UV60F N20]
Power Supply			V, Ø, Hz	220-240, 1, 50	220-240, 1, 50
				220, 1, 60	220, 1, 60
Capacity(Nominal)	Cooling		kW	13.4	14.4
	Heating		kW	15.5	16.8
Power Input		H / M / L	W	50 / 35 / 28	50 / 35 / 28
Running Current		H / M / L	A	0.58 / 0.54 / 0.50	0.58 / 0.54 / 0.50
		Max.	A	0.97	0.97
Exterior	Color (RAL Code)		-	Morning Fog (9001)	Morning Fog (9001)
Dimensions		W x H x D	mm	1,600 x 235 x 690	1,600 x 235 x 690
Weight	Net		kg	36.7	36.7
	Shipping		kg	42.8	42.8
Heat Exchanger	Rows x Columns x FPI			3 x 18 x 18	3 x 18 x 18
	Face Area		m <sup>2</sup>	0.46	0.46
Fan Type				Cross Flow Fan	Cross Flow Fan
Air Flow Rate		H / M / L	m <sup>3</sup> /min	28 / 24 / 20	28 / 24 / 20
Fan Motor	Type			BLDC	BLDC
	Drive			Internal	Internal
	Output		W x No.	125 x 1	125 x 1
Safety Device				Fuse / Thermal Protector for Fan Motor	
Piping Connections	Liquid Side		mm (inch)	Ø 9.52 (3/8)	Ø 9.52 (3/8)
	Gas Side		mm (inch)	Ø 15.88 (5/8)	Ø 15.88 (5/8)
	Drain Pipe (Natural Drainage)	O.D. / I.D.	mm	Ø 25.0 / 20.5	Ø 25.0 / 20.5
Sound Pressure Level	Cooling	H / M / L	dB(A)	48 / 44 / 40	48 / 44 / 40
	Heating	H / M / L	dB(A)	48 / 44 / 40	48 / 44 / 40
Sound Power Level	Cooling	Rated	dB(A)	63	63
	Heating	Rated	dB(A)	67	67
Power and Communication Cable (included Earth)			No. x mm <sup>2</sup>	4C x 0.75	4C x 0.75

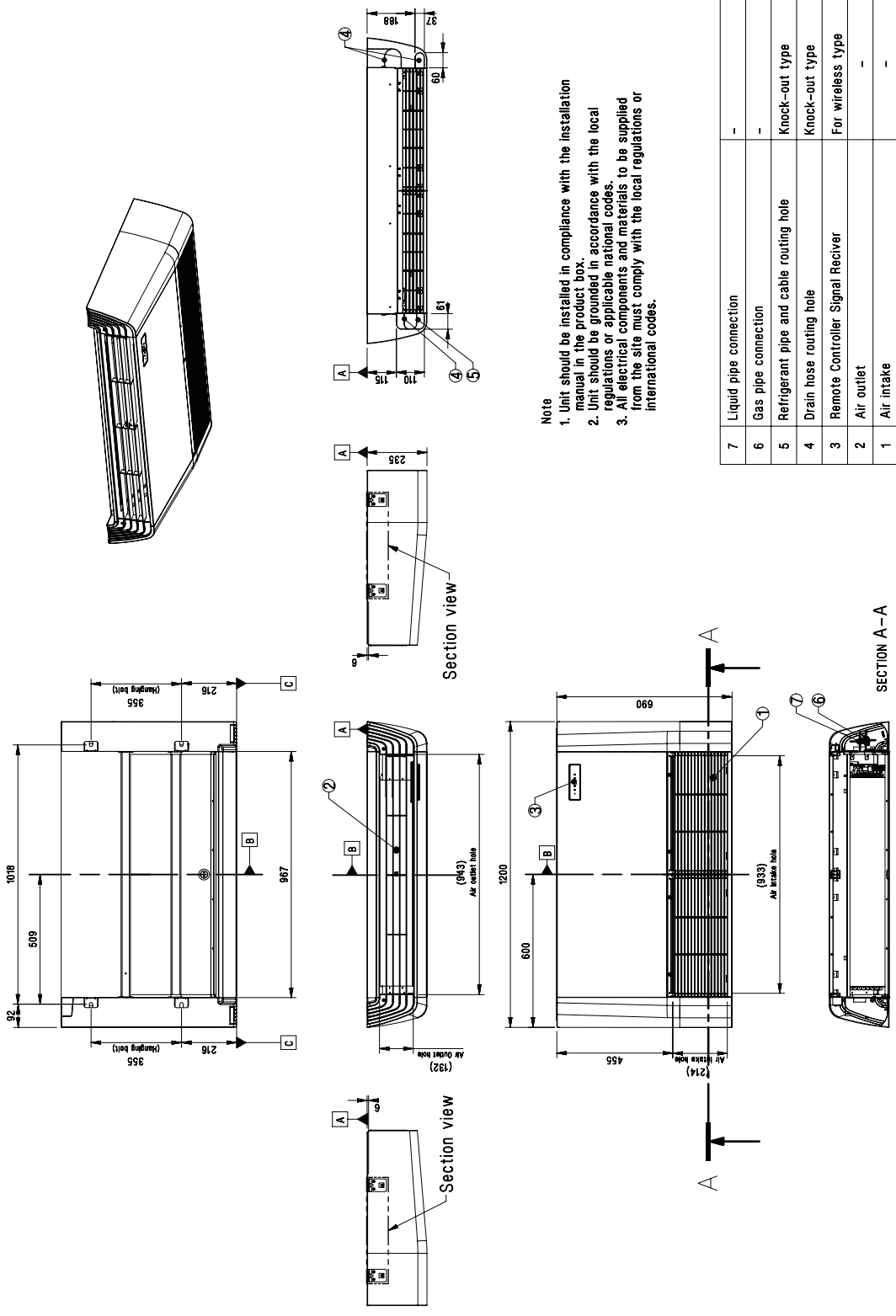
### Note

- Due to our policy of innovation some specifications may be changed without notification.
- Wiring cable size must comply with the applicable local and national code. And "Electric characteristics" chapter should be considered for electrical work and design. Especially the power cable and circuit breaker should be selected in accordance with that.
- Sound Level Values are measured at Noise Measuring chamber accordance with standard. Therefore, these values depend on the ambient conditions and values are normally higher in actual operation(Sound Pressure : LG Internal standard, Sound Power : EN 12102 (ISO 3741).
- Capacities are net capacities and based on the following conditions. Refer to the Outdoor Unit Specifications for calculating the real capacity.
  - Cooling : Indoor Ambient Temp. 27°CDB / 19°CWB, Outdoor Ambient Temp. 35°CDB / 24°CWB
  - Heating : Indoor Ambient Temp. 20°CDB / 15°CWB, Outdoor Ambient Temp. 7°CDB / 6°CWB
  - Interconnected Pipe is standard length and difference of Elevation (Outdoor ~ Indoor Unit) is 0m.

### 3. Dimensions

■ ZVNW18GM1A1 [UV18F N10] / ZVNW24GM1A1 [UV24F N10] / ZVNW30GM1A1 [UV30F N10]

[Unit: mm]  
 Chassis code : VM1  
 DWG No. : TAZ35326401\_Rev01



**Note**

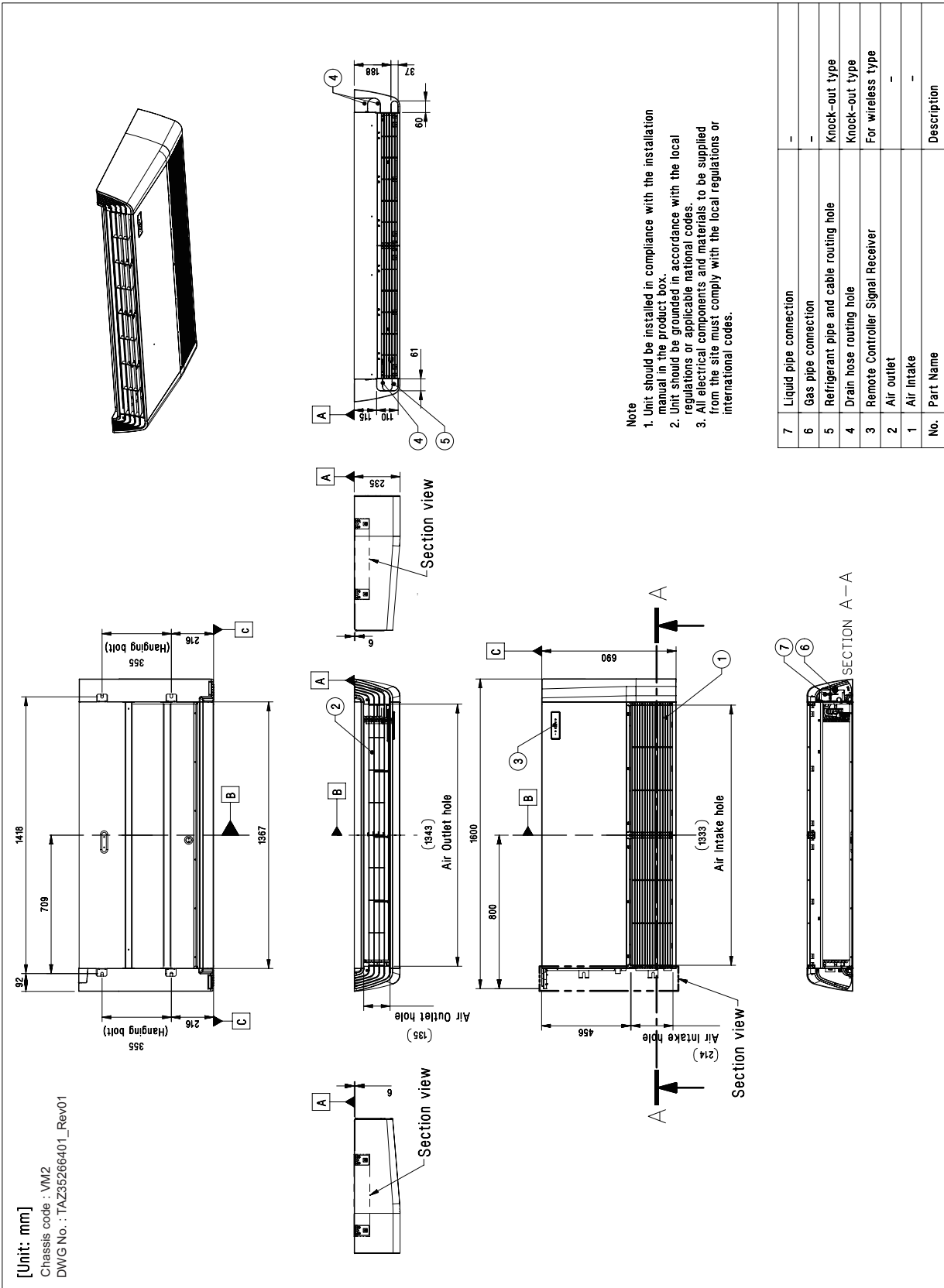
1. Unit should be installed in compliance with the installation manual in the product box.
2. Unit should be grounded in accordance with the local regulations or applicable national codes.
3. All electrical components and materials to be supplied from the site must comply with the local regulations or international codes.

No.	Part Name	Description
7	Liquid pipe connection	-
6	Gas pipe connection	-
5	Refrigerant pipe and cable routing hole	Knock-out type
4	Drain hose routing hole	Knock-out type
3	Remote Controller Signal Receiver	For wireless type
2	Air outlet	-
1	Air intake	-



### 3. Dimensions

■ ZVNW36GM2A1 [UV36F N20] / ZVNW42GM2A1 [UV42F N20]  
 / ZVNW48GM2A1 [UV48F N20] / ZVNW60GM2A1 [UV60F N20]

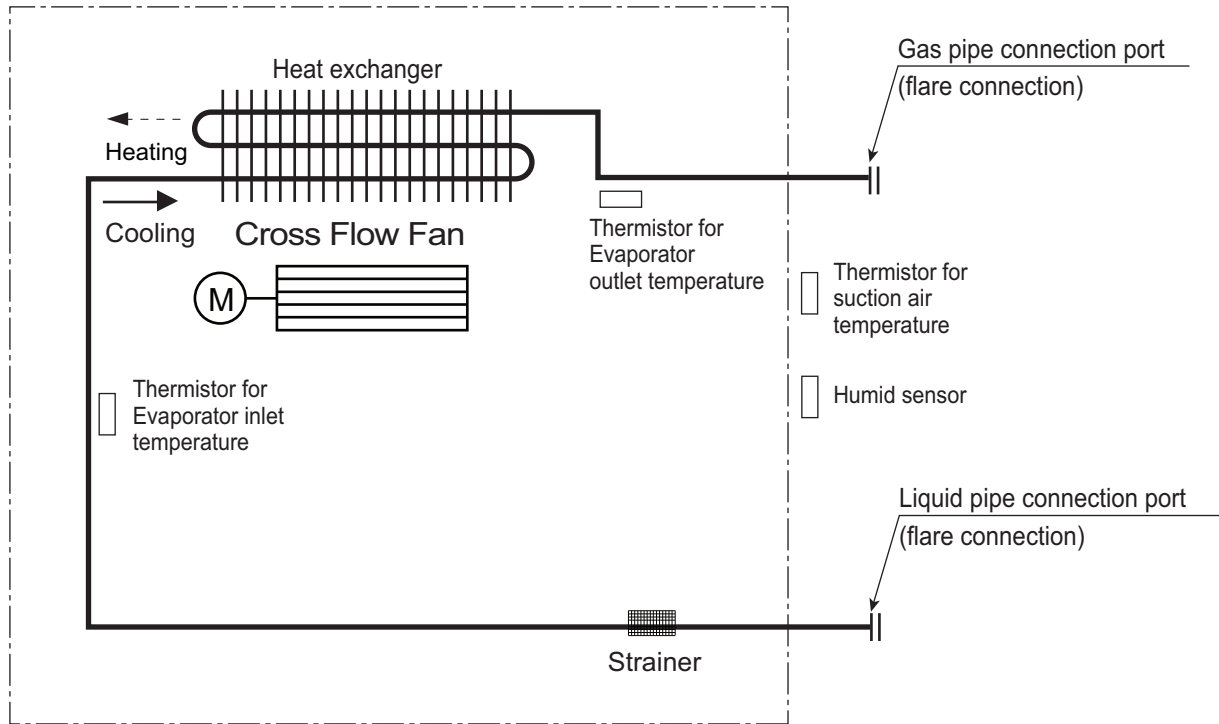


**Note**  
 1. Unit should be installed in compliance with the installation manual in the product box.  
 2. Unit should be grounded in accordance with the local regulations or applicable national codes.  
 3. All electrical components and materials to be supplied from the site must comply with the local regulations or international codes.

No.	Part Name	Description
7	Liquid pipe connection	-
6	Gas pipe connection	-
5	Refrigerant pipe and cable routing hole	Knock-out type
4	Drain hose routing hole	Knock-out type
3	Remote Controller Signal Receiver	For wireless type
2	Air outlet	-
1	Air Intake	-

## 4. Piping Diagrams

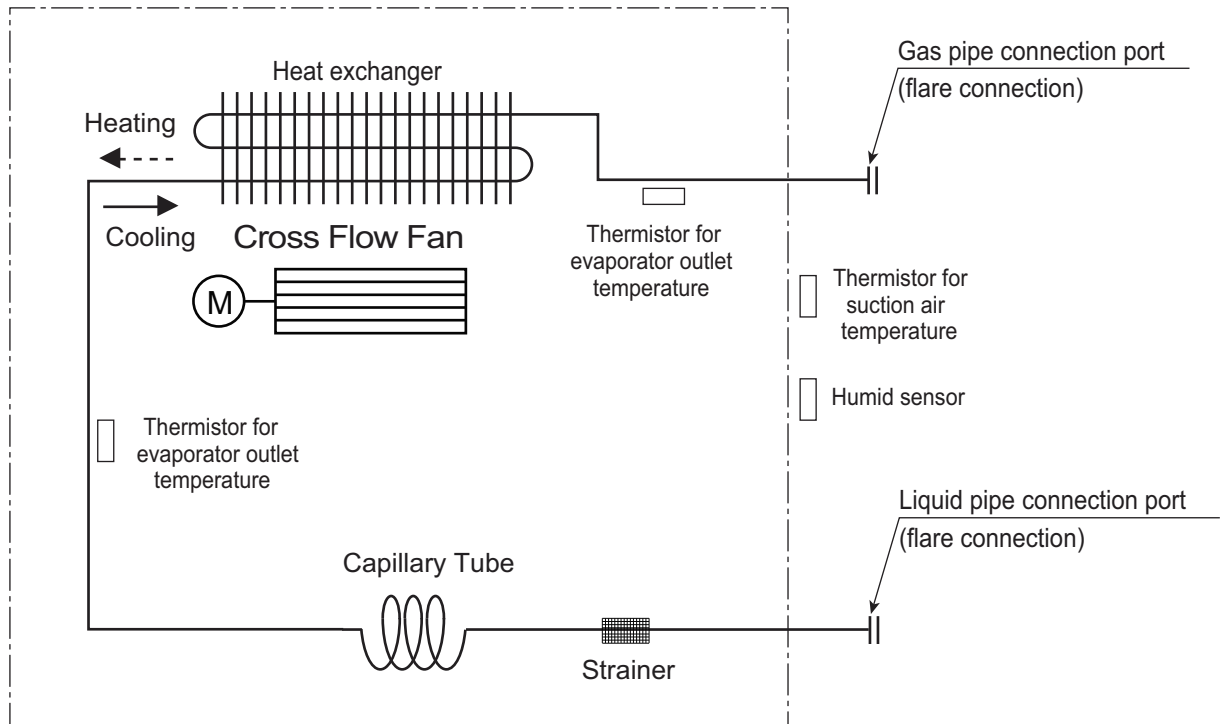
■ ZVNW18GM1A1 [UV18F N10] / ZVNW24GM1A1 [UV24F N10]  
/ ZVNW30GM1A1 [UV30F N10]



Description	PCB Connector
Thermistor for suction air temperature	CN-ROOM
Thermistor for evaporator inlet temperature	CN-PIPE / IN
Thermistor for evaporator outlet temperature	CN-PIPE / OUT
Humid sensor	CN_HUMID

## 4. Piping Diagrams

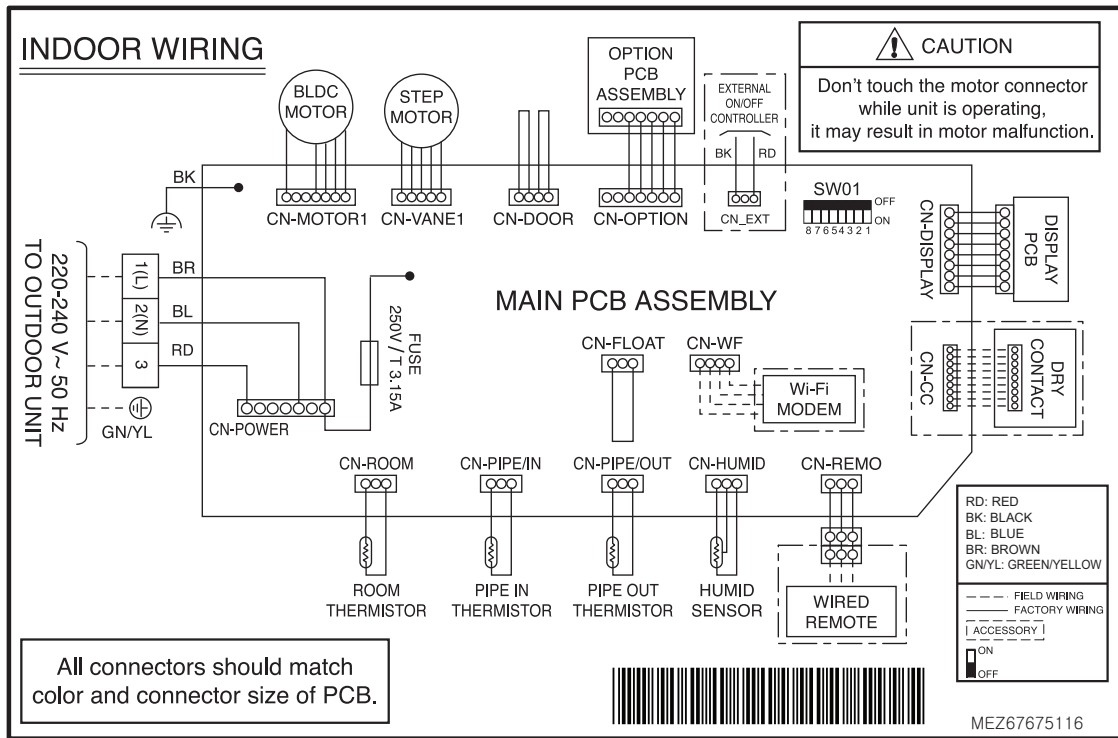
- ZVNW36GM2A1 [UV36F N20] / ZVNW42GM2A1 [UV42F N20]  
/ ZVNW48GM2A1 [UV48F N20] / ZVNW60GM2A1 [UV60F N20]



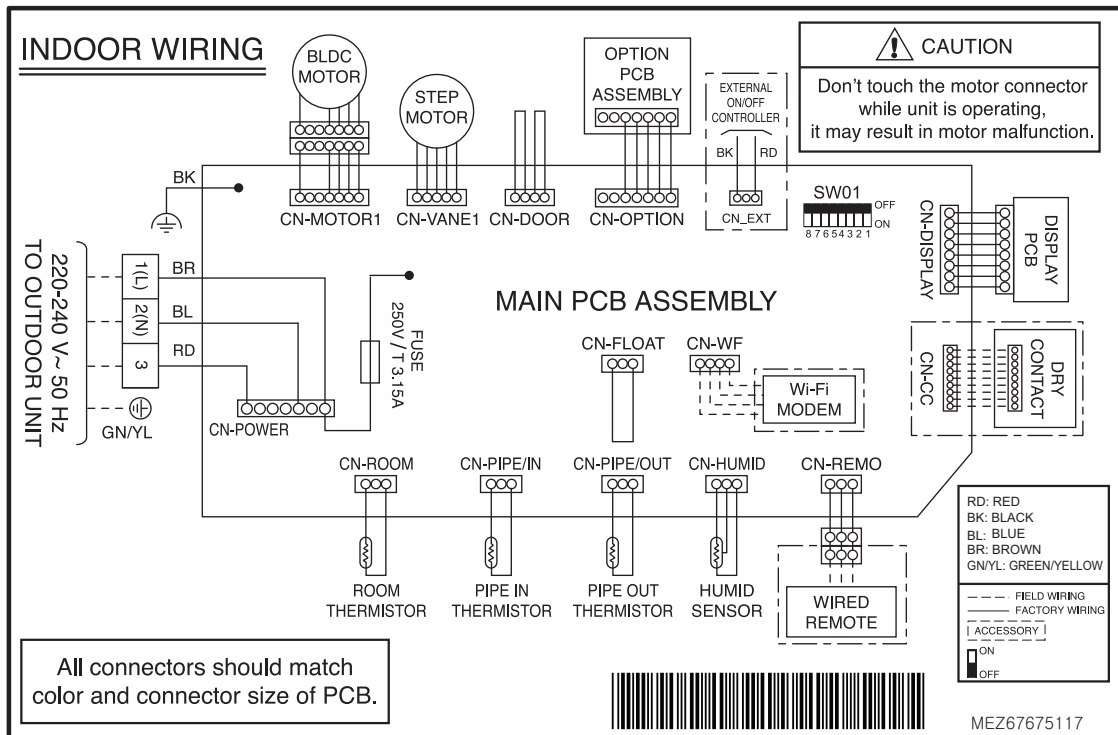
Description	PCB Connector
Thermistor for suction air temperature	CN-ROOM
Thermistor for evaporator inlet temperature	CN-PIPE / IN
Thermistor for evaporator outlet temperature	CN-PIPE / OUT
Humid sensor	CN_HUMID

# 5. Wiring Diagrams

◆ ZVNW18GM1A1 [UV18F N10] / ZVNW24GM1A1 [UV24F N10] / ZVNW30GM1A1 [UV30F N10]



◆ ZVNW36GM2A1 [UV36F N20] / ZVNW42GM2A1 [UV42F N20] / ZVNW48GM2A1 [UV48F N20] / ZVNW60GM2A1 [UV60F N20]

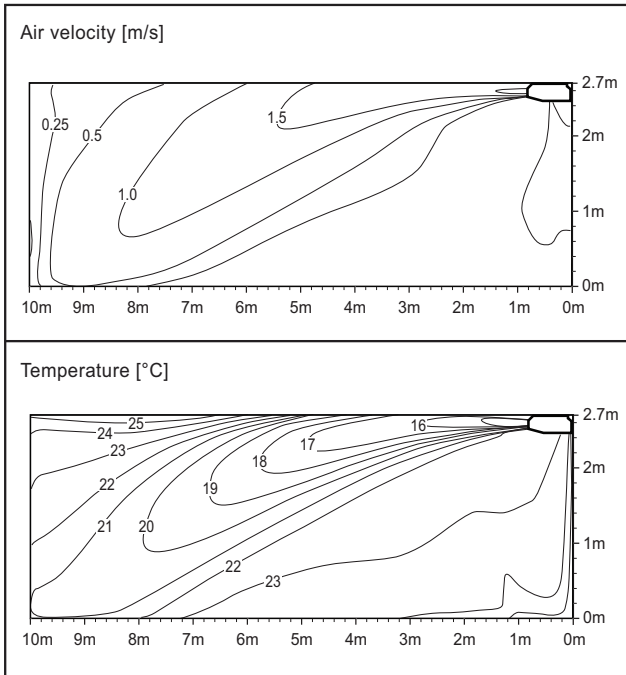


## 6. Air flow and temperature distributions (reference data)

### ZVNW18GM1A1 [UV18F N10]

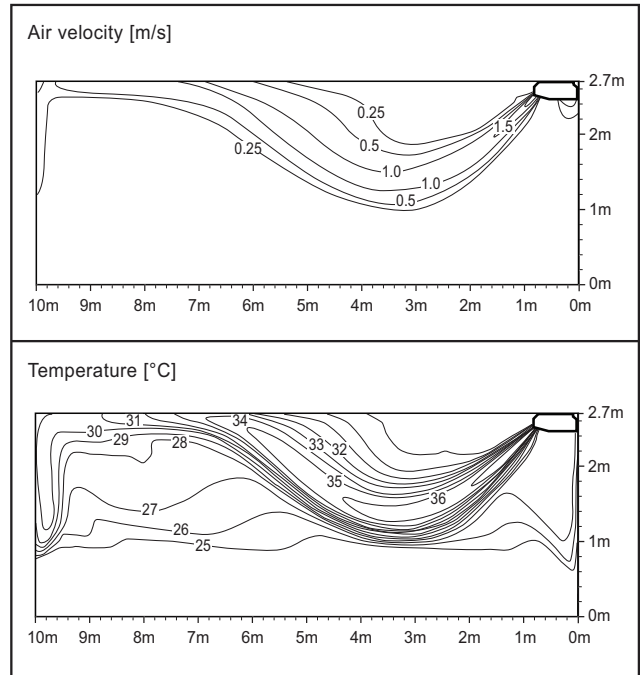
#### Cooling

Discharge angle: 0°



#### Heating

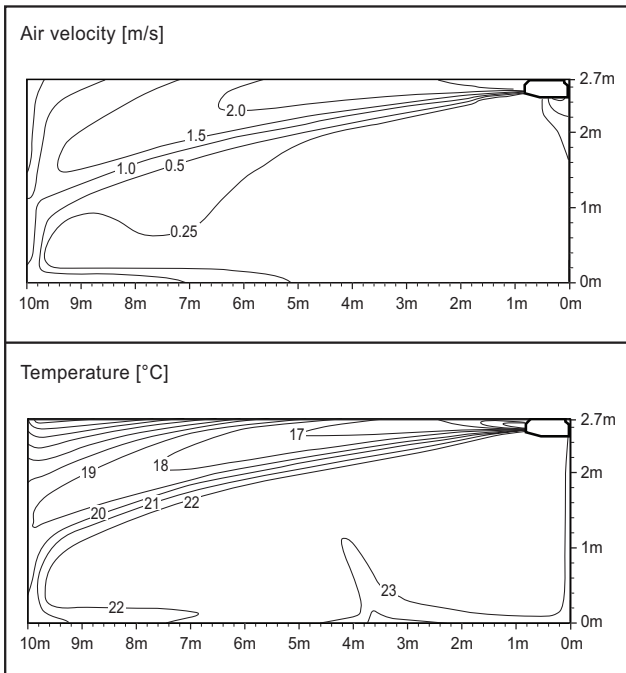
Discharge angle: 40°



### ZVNW24GM1A1 [UV24F N10]

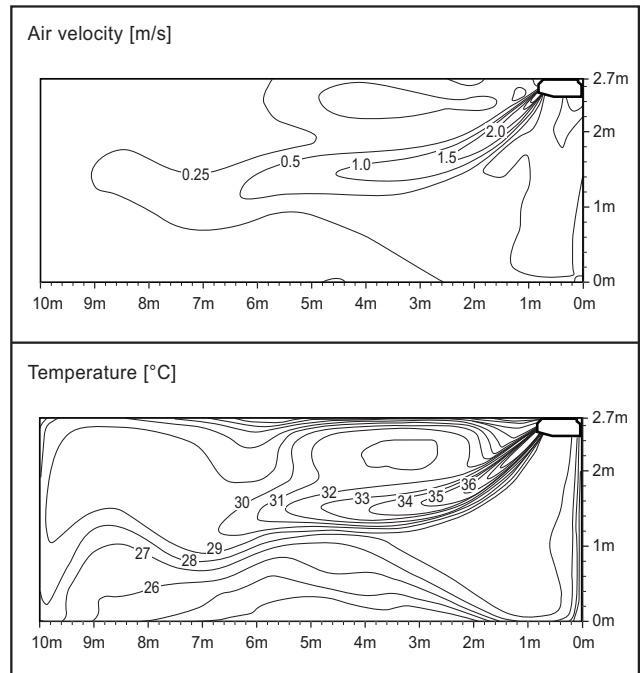
#### Cooling

Discharge angle: 0°



#### Heating

Discharge angle: 40°



**Note**

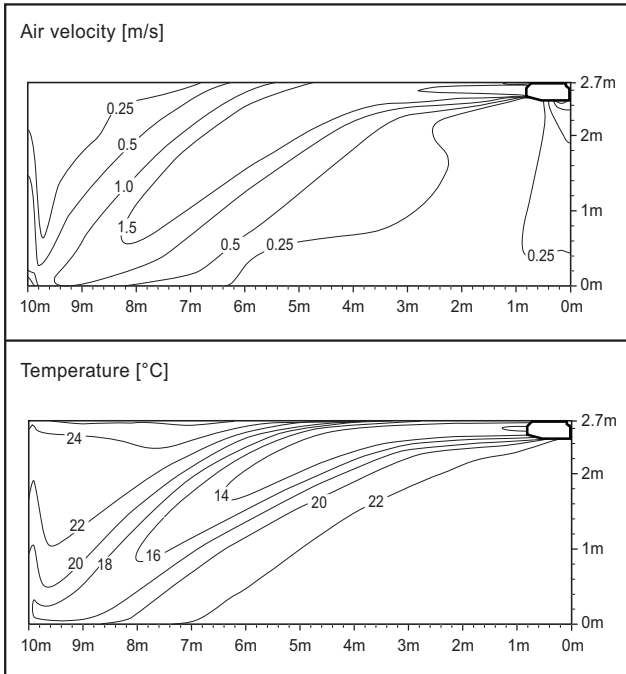
- These figures are accordance with normal certain condition and environment. (Airflow step is 'High', Air discharge angle is fixed as indicated angle.)
- Indoor airflow distribution under actual installation or operating conditions depends on ambient temperature, ceiling height, product installation direction / location, indoor / Heating load, and other obstacles, etc.

# 6. Air flow and temperature distributions (reference data)

## ZVNW30GM1A1 [UV30F N10]

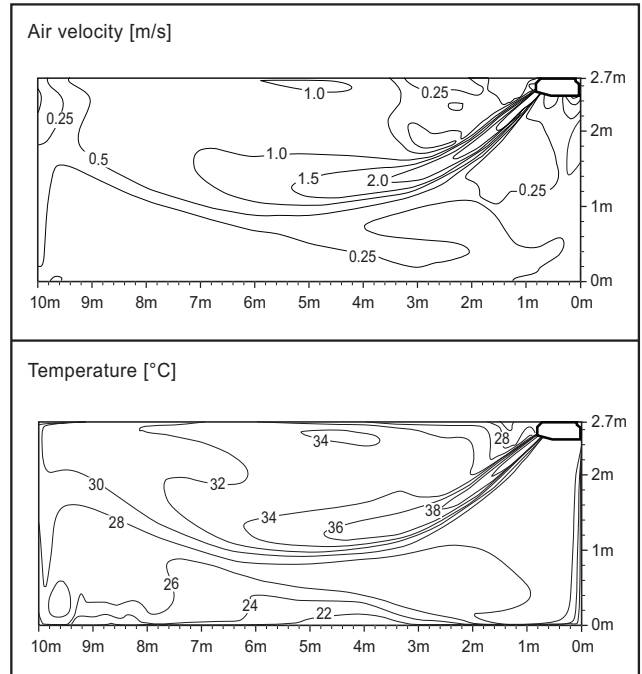
### Cooling

Discharge angle: 0°



### Heating

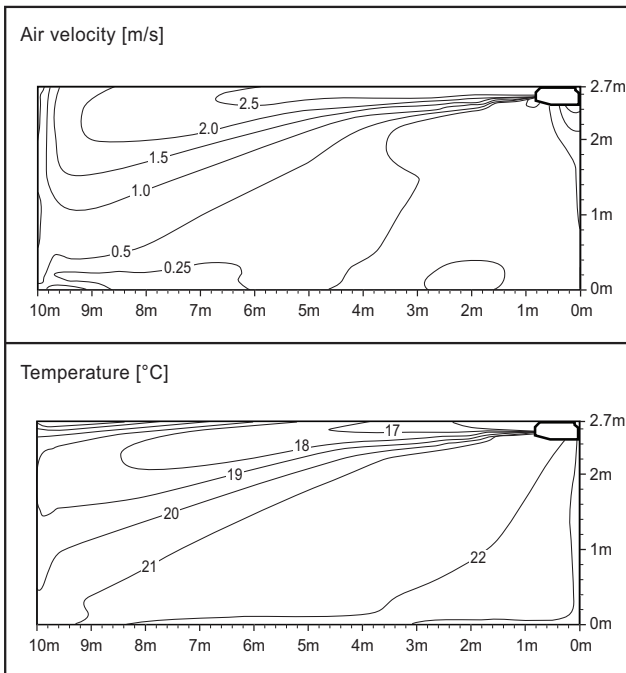
Discharge angle: 40°



## ZVNW36GM2A1 [UV36F N20]

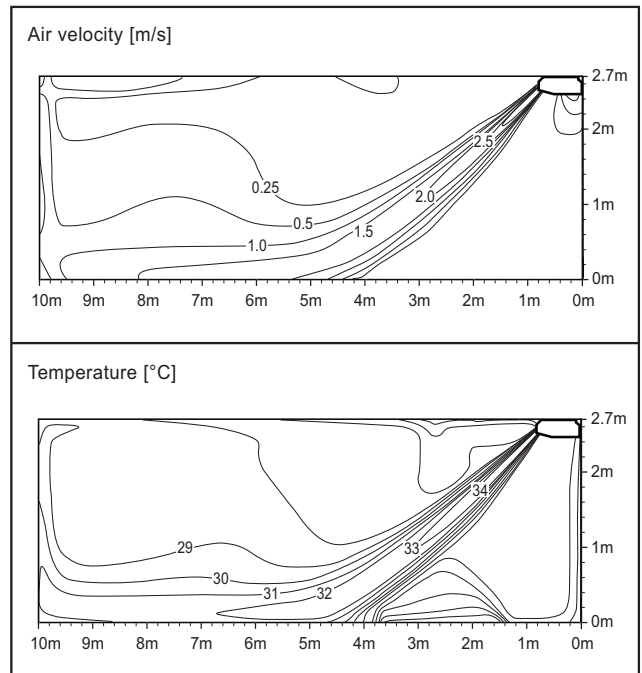
### Cooling

Discharge angle: 0°



### Heating

Discharge angle: 40°



**Note**

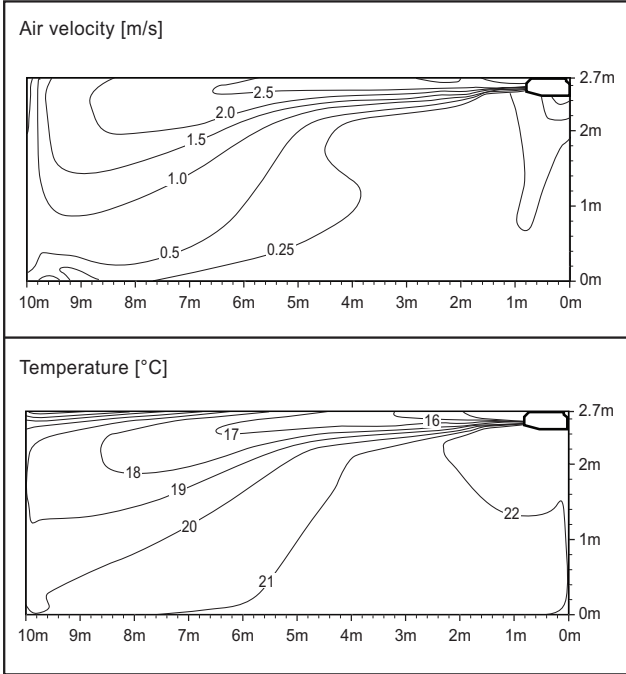
- These figures are accordance with normal certain condition and environment. (Airflow step is 'High', Air discharge angle is fixed as indicated angle.)
- Indoor airflow distribution under actual installation or operating conditions depends on ambient temperature, ceiling height, product installation direction / location, indoor / Heating load, and other obstacles, etc.

# 6. Air flow and temperature distributions (reference data)

## ■ ZVNW42GM2A1 [UV42F N20]

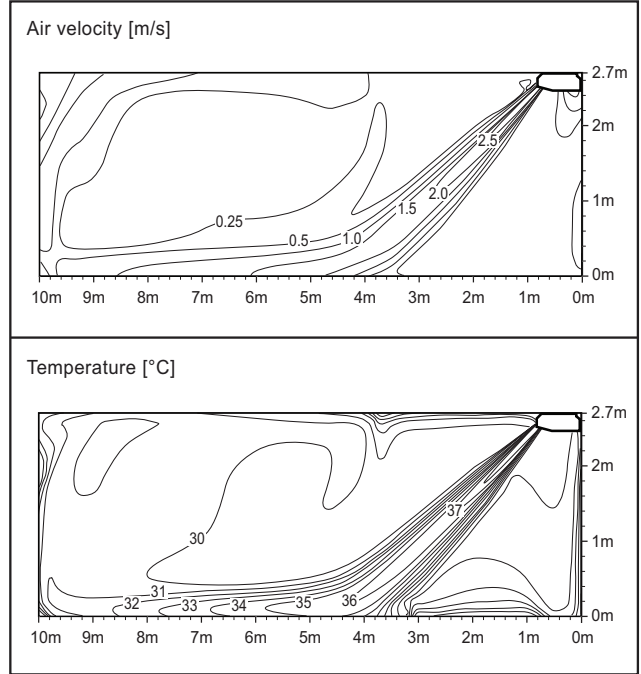
### Cooling

Discharge angle: 0°



### Heating

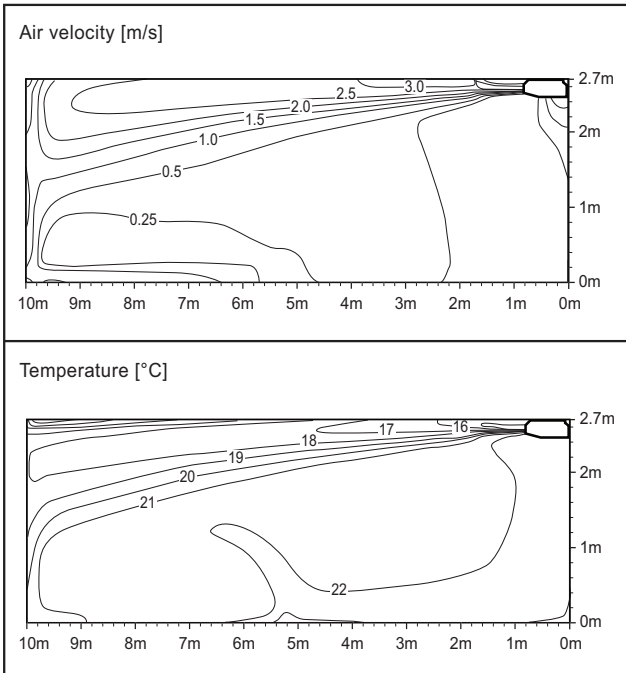
Discharge angle: 40°



## ■ ZVNW48GM2A1 [UV48F N20]

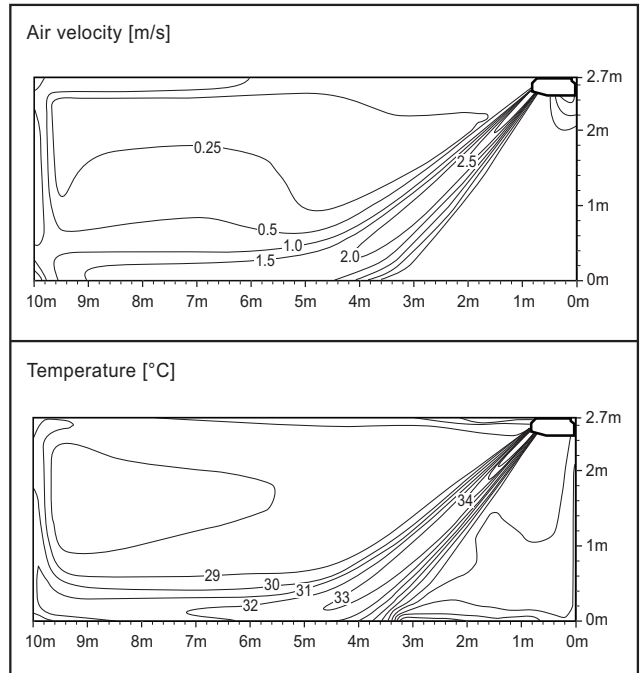
### Cooling

Discharge angle: 0°



### Heating

Discharge angle: 40°



**Note**

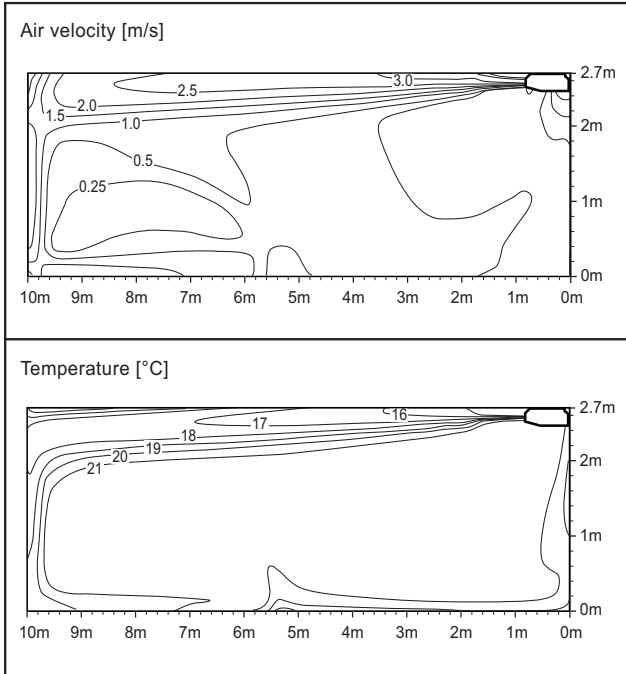
- These figures are accordance with normal certain condition and environment. (Airflow step is 'High', Air discharge angle is fixed as indicated angle.)
- Indoor airflow distribution under actual installation or operating conditions depends on ambient temperature, ceiling height, product installation direction / location, indoor / Heating load, and other obstacles, etc.

## 6. Air flow and temperature distributions (reference data)

### ■ ZVNW60GM2A1 [UV60F N20]

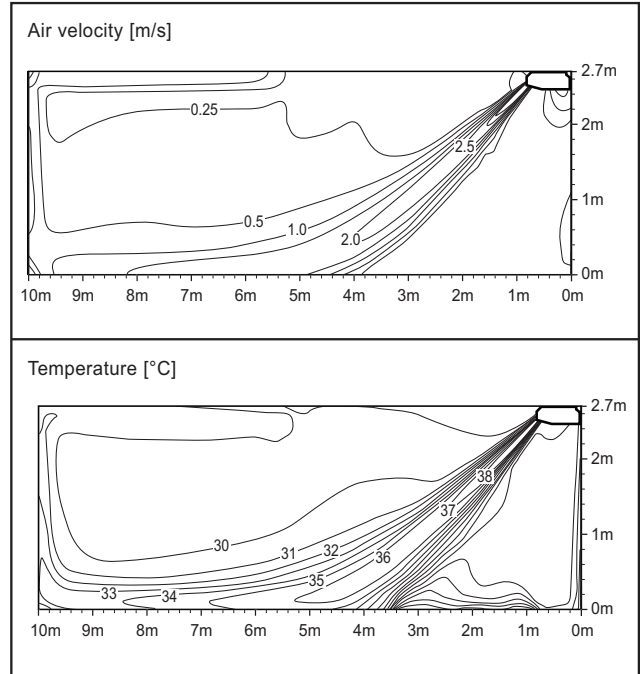
#### Cooling

Discharge angle: 0°



#### Heating

Discharge angle: 40°



**Note**

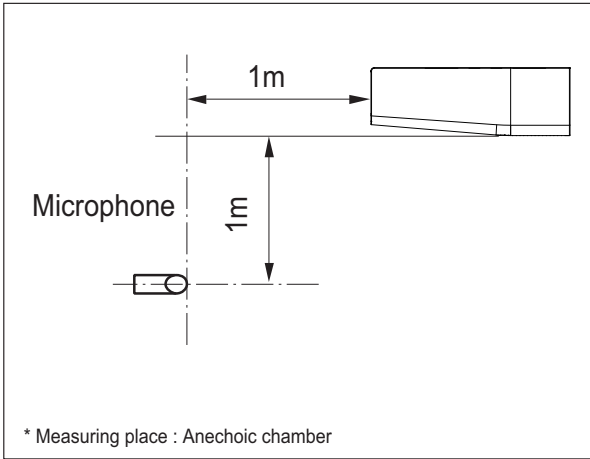
- These figures are accordance with normal certain condition and environment. (Airflow step is 'High', Air discharge angle is fixed as indicated angle.)
- Indoor airflow distribution under actual installation or operating conditions depends on ambient temperature, ceiling height, product installation direction / location, indoor / Heating load, and other obstacles, etc.



# 7. Sound Levels

## 7.1 Sound Pressure Level

### Overall

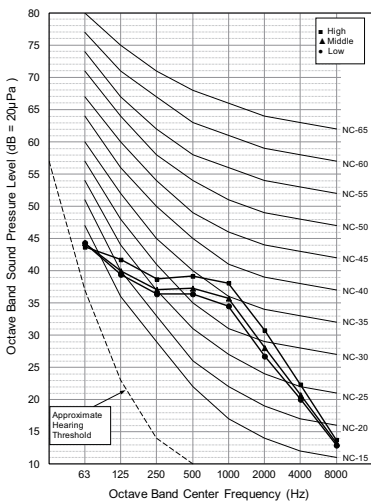


**Note**

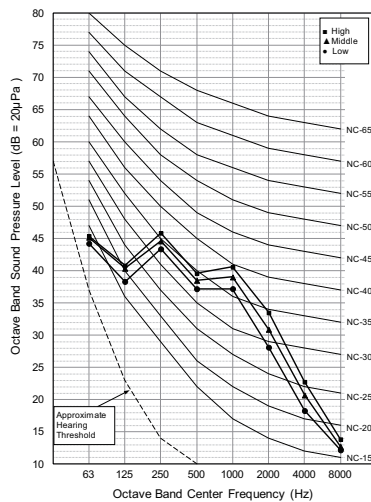
- 1.Sound measured at some distance away from the center of the unit.
- 2.Data is valid at free field condition.
- 3.Reference acoustic pressure 0dB = 20μPa.
- 4.Data is valid at nominal operation condition.  
Refer to the Model Specifications for nominal conditions(Power source and Ambient temperature, etc)
- 5.Sound levels can be increased in accordance with installation and operating conditions. (Static pressure mode, used air guide, Room target temperature setting, etc)
- 6.Sound level will vary depending on a range of factors such as the construction(acoustic absorption coefficient) of particular room in which the equipment is installed.
- 7.Sound pressure level is measured on the rated condition in the anechoic rooms. (LG Internal Standard)  
Therefore, these values can be increased owing to ambient conditions during operation.

Model	50Hz, 220-240V		
	Sound pressure Levels [dB(A)]		
	H	M	L
ZVNW18GM1A1 [UV18F N10]	42	40	39
ZVNW24GM1A1 [UV24F N10]	46	45	43
ZVNW30GM1A1 [UV30F N10]	46	44	43
ZVNW36GM2A1 [UV36F N20]	46	43	40
ZVNW42GM2A1 [UV42F N20]	46	43	40
ZVNW48GM2A1 [UV48F N20]	48	44	40
ZVNW60GM2A1 [UV60F N20]	48	44	40

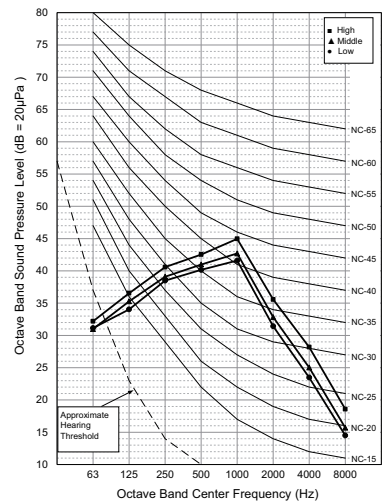
ZVNW18GM1A1 [UV18F N10]



ZVNW24GM1A1 [UV24F N10]

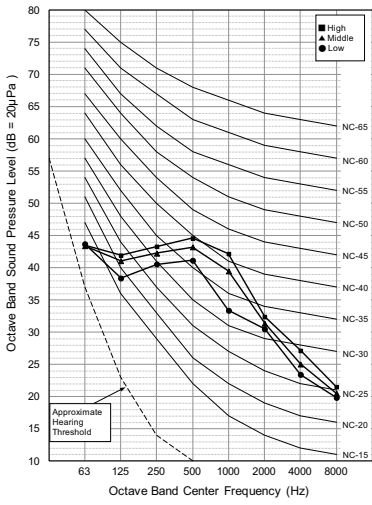


ZVNW30GM1A1 [UV30F N10]

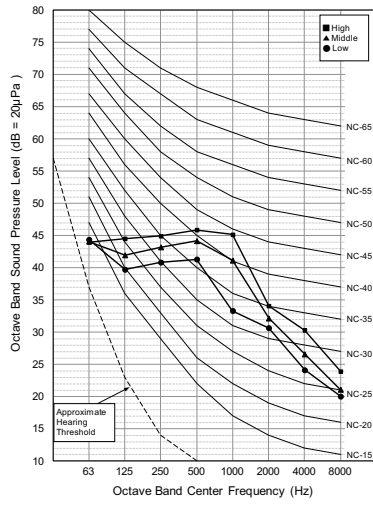


# 7. Sound Levels

ZVNW36GM2A1 [UV36F N20]  
ZVNW42GM2A1 [UV42F N20]



ZVNW48GM2A1 [UV48F N20]  
ZVNW60GM2A1 [UV60F N20]



## 7. Sound Levels

### 7.2 Sound Power Level

#### Note

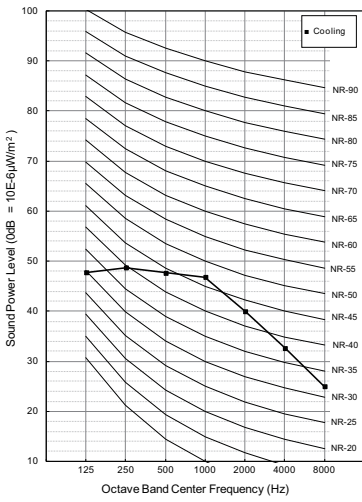
1. Data is valid at diffuse field condition.
2. Data is valid at nominal operation condition.  
Refer to the Model Specifications for nominal conditions(Power source and Ambient temperature, etc)
3. Sound level can be increased in static pressure mode or used air guide.
4. Sound level will vary depending on a range of factors such as the construction (acoustic absorption coefficient).
5. Reference acoustic intensity 0dB =  $10E-6\mu W/m^2$
6. Sound power level is measured on the rated condition in the reverberation rooms by ISO 3741 standard.  
Therefore, these values can be increased owing to ambient conditions during operation.

Model	Sound power level [dB(A)]	
	Cooling	Heating
ZVNW18GM1A1 [UV18F N10]	55	-
ZVNW24GM1A1 [UV24F N10]	61	-
ZVNW30GM1A1 [UV30F N10]	62	-
ZVNW36GM2A1 [UV36F N20]	62	-
ZVNW42GM2A1 [UV42F N20]	62	66
ZVNW48GM2A1 [UV48F N20]	63	67
ZVNW60GM2A1 [UV60F N20]	63	67

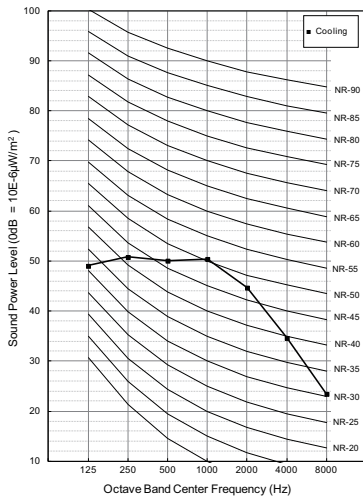
# 7. Sound Levels

## ◆ Cooling

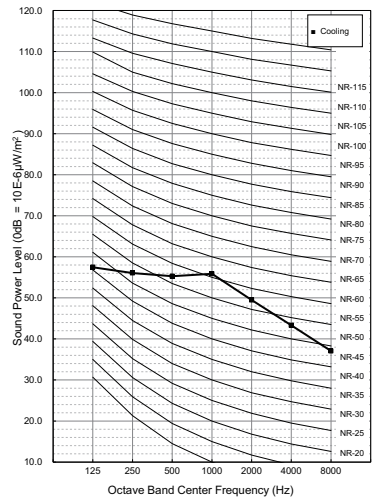
ZVNW18GM1A1 [UV18F N10]



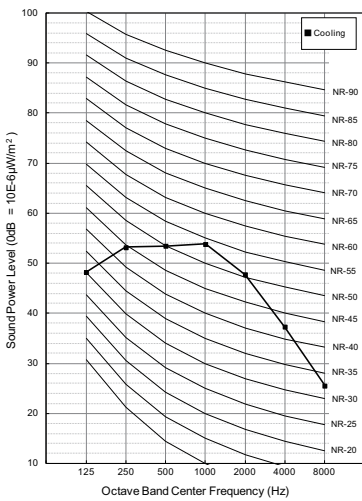
ZVNW24GM1A1 [UV24F N10]



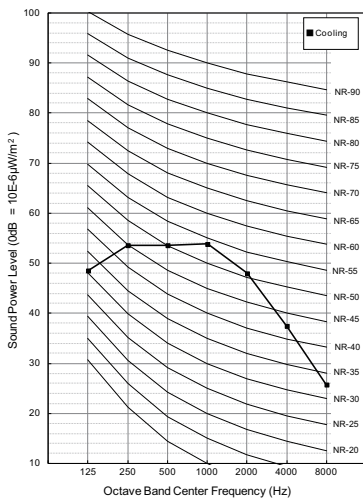
ZVNW30GM1A1 [UV30F N10]



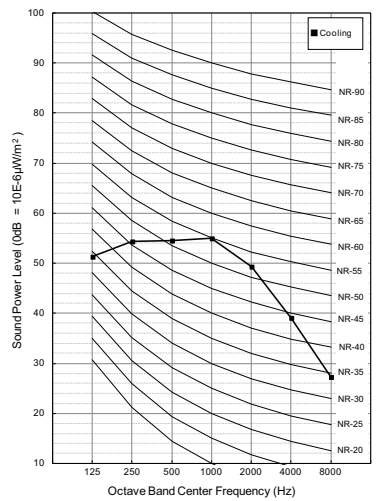
ZVNW36GM2A1 [UV36F N20]



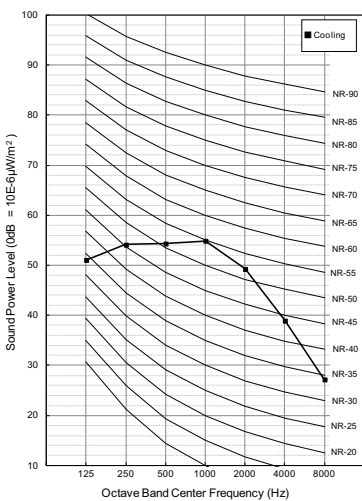
ZVNW42GM2A1 [UV42F N20]



ZVNW48GM2A1 [UV48F N20]



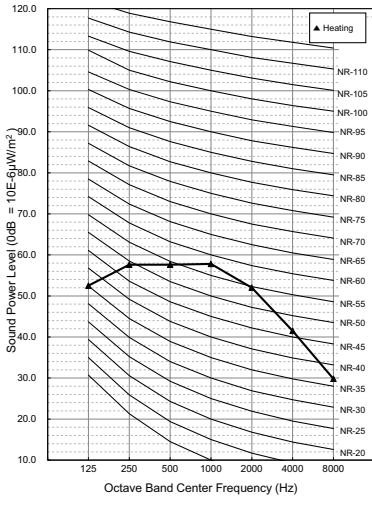
ZVNW60GM2A1 [UV60F N20]



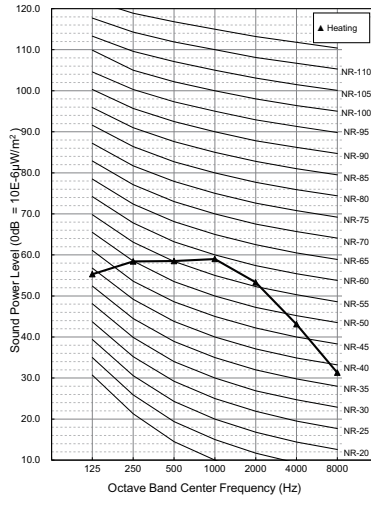
# 7. Sound Levels

## ◆ Heating

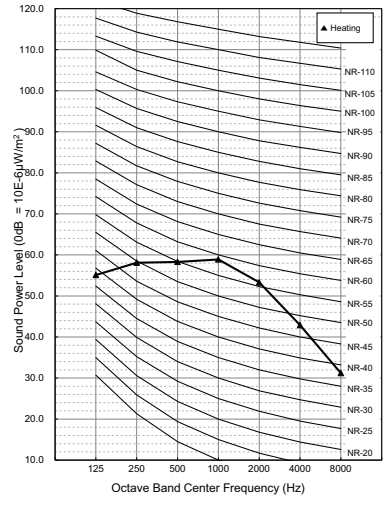
ZVNW42GM2A1 [UV42F N20]



ZVNW48GM2A1 [UV48F N20]



ZVNW60GM2A1 [UV60F N20]

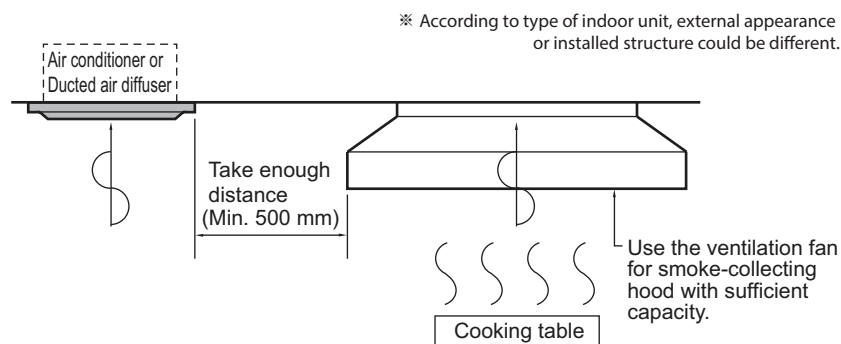


## 8. Installation

- Please read the instruction sheets completely before installing the product.
- When the power cord is damaged, replacement work shall be performed by authorized personnel only.
- Installation work must be performed in accordance with the national wiring standards.
- Teach the customer the operation and maintenance procedures, using the operation manual. (air filter cleaning, temperature control, etc.)

### 8.1 Selection of the best location

- The unit must be installed indoor area.
- Do not install the unit near the door.
- There should not be any obstacles to the air circulation or installation. Ensure the spaces from the wall, ceiling, or other obstacles.
- The place where the indoor unit can be connected with outdoor unit easily.
- The place where the unit is leveled.
- The place shall allow easy water drainage.
- The place where bear a load exceeding four times of the indoor unit weight.
- The mounting ceiling or wall should be solid enough to protect it from the vibration.
- The place where the unit is not affected by an electrical noise.
- The place where noise prevention is taken into consideration.
- The place where the maintenance space for product is sufficient. (The servicing inspection hole of the ceiling should be larger than the indoor unit.)
- The selection of the servicing inspection hole should be approved by the customer.
- There should not be any heat source or steam near the unit. Avoid the following installation location.
  1. Such places as restaurants and kitchen where considerable amount of oil steam and flour is generated. These may cause heat exchange efficiency reduction, or water drops, drain pump mal-function. In these cases, take the following actions;
    - Make sure that ventilation fan is enough to cover all noxious gases from this place.
    - Ensure enough distance from the cooking room to install the air conditioner in such a place where it may not suck oily steam.

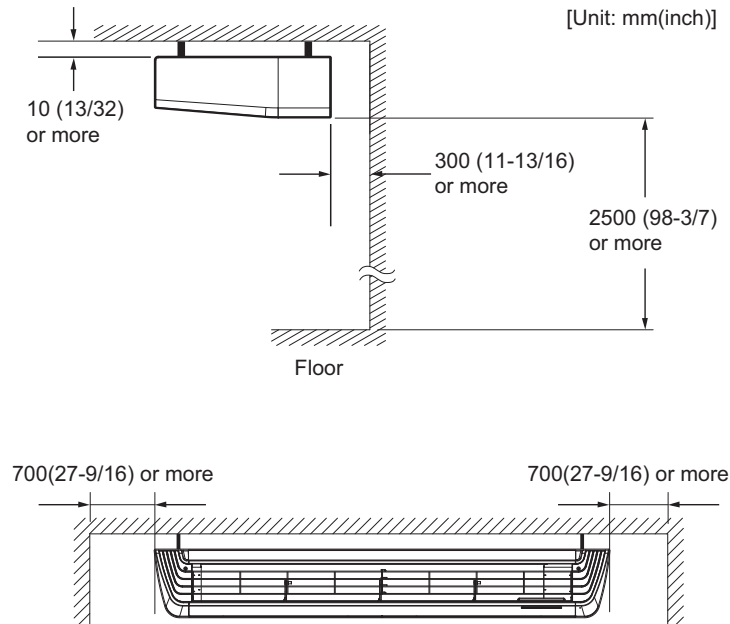


2. Avoid installing air conditioner in such places where cooking oil or iron powder is generated.
3. Avoid places where inflammable gas is generated.
4. Avoid place where noxious gas is generated.
5. Avoid places near high frequency generators.

## 8. Installation

### ⚠ CAUTION

- If the temperature rise above 30°C or the humidity rise above RH 80%, the dew-protective kit should be equipped or use additional insulation to the indoor unit body.
  - "Dew Protective kit" is sold separately.
  - Use the glass wool material or polyethylene foam and it make sure to be thick of 10mm at least.



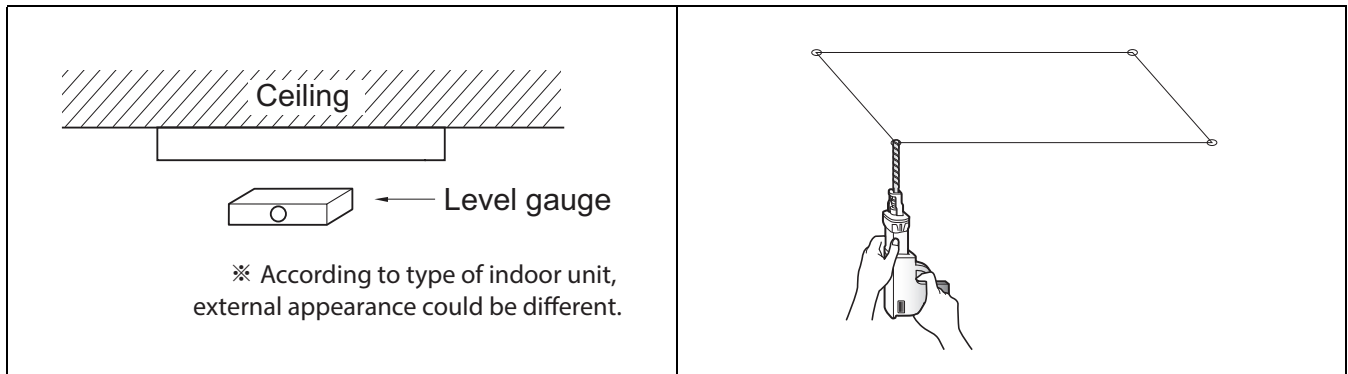
## 8. Installation

### 8.2 Installation of indoor units

#### 8.2.1 Ceiling dimension and hanging bolt location

##### **⚠ CAUTION**

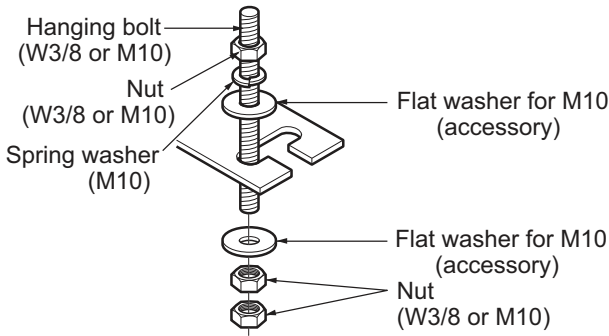
- During the installation, care should be taken not to damage electric wires.
- In case of using a drain pump, install the unit horizontally using a level gauge.



1. The dimensions of the paper model for installation are the same as those of the ceiling opening dimensions.
2. Select and mark the position for fixing bolts and piping hole.
3. Decide the position for fixing bolts slightly tilted to the drain direction after considering the direction of drain hose.
4. Drill the hole for anchor bolt on the wall or ceiling.
  - Insert the set anchor and washer onto the suspension bolts for locking the suspension bolts on the ceiling.
  - Mount the suspension bolts to the set anchor firmly.
  - Secure the installation plates onto the suspension bolts (adjust level roughly) using nuts, washers and spring washers.
5. In case of ducted type unit, apply a joint-canvas between the unit and duct to absorb unnecessary vibration.



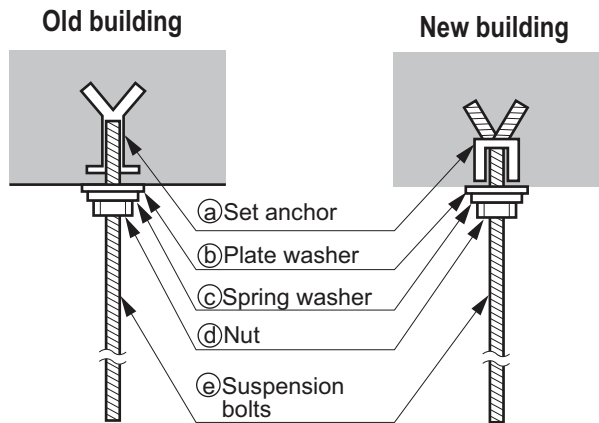
# 8. Installation



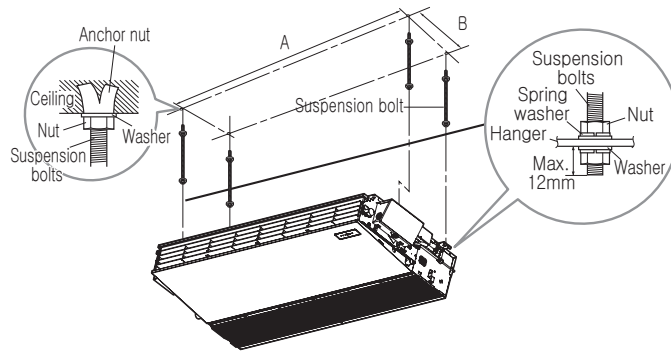
- The following parts are local purchasing.
  - 1.Hanging bolt - W 3/8 or M10
  - 2.Nut - W 3/8 or M10
  - 3.Spring washer - M10
  - 4.Plate washer - M10

**CAUTION**

- Tighten the nut and bolt to prevent the unit from falling.
- When mechanical connectors are reused indoors, sealing parts shall be renewed. (for R32)
- When flared joints are reused indoors, the flare part shall be re-fabricated. (for R32)



◆ Hanging bolts dimensions



Chassis	Bolt lactions [ Unit: mm ]	
	A	B
VM1	1,018	355
VM2	1,418	355

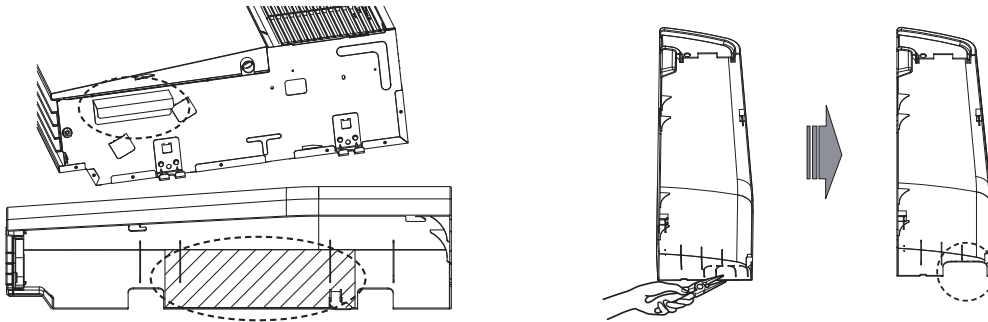
## 8.2.2 Preparing work for Installation

■ Open side cover

- 1) Remove two screws from Left and Right side-cover.
- 2) Unlock side-cover from side panel by slightly pulling the edge of side cover. Tap the side-cover with your palm on the backside.
- 3) Remove bracket from side-panel and paper bracket from side-cover.

## 8. Installation

- 4) Knock out the pipe hole from the left side cover with nipper/plier.



- 5) Remove the rubber stopple in the desired drain direction.

### Notice

For more details, refer to the product or panel installation manual.

### Important

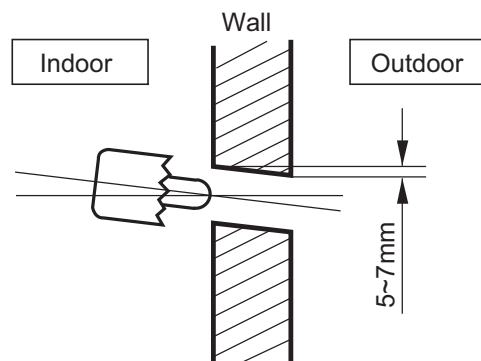
- It is recommended to select the left side for drain to have common hole in the side-cover along with pipe and wiring.
- Knock hole on right side-cover only if right side is selected for water drain.

### CAUTION

- Hold the side-cover with other hand while tapping to prevent it to fall down.

### ■ Drill a hole in the wall

- Drill the piping hole with a  $\varnothing 70\text{mm}$  hole core drill.
- Drill the piping hole at either the right or the left with the hole slightly slanted to the outdoor side.



### 8.2.3 Indoor unit installation

Hang the Indoor unit on suspension bolt as per following guidelines:

- 1) Lift the indoor unit to sufficient height.
- 2) Insert the suspended part of four suspension bolt in the four hangers provided on the side of main body one by one.
- 3) Lower the indoor unit till the hangers rest on their respective flat washer.
- 4) Adjust the level in the top down direction by adjusting the suspension bolts. Inclined the indoor unit as per direction provided in the figures.

## 8. Installation

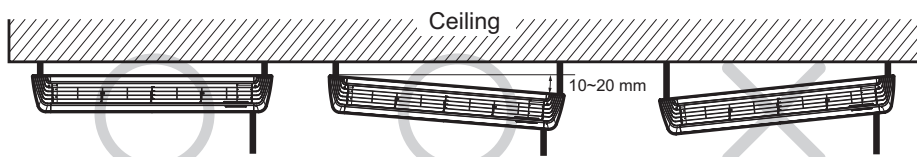
### ■ Installation Information For Declination

#### ⚠ CAUTION

- Installation with declination of the indoor unit is very important for the drain of air conditioner.
- Minimum thickness of the insulation for the connecting pipe shall be 10mm.
- If the Installation Plates are fixed to horizontal line, the indoor unit after installing will be declined to the bottomside.

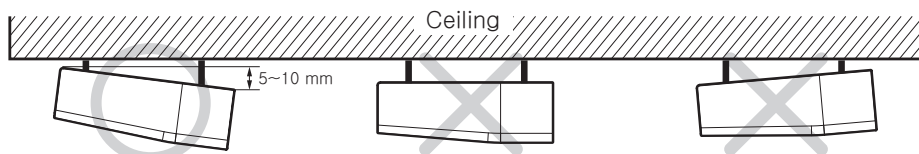
#### [ Front of view ]

- The unit must be horizontal or inclined at angle.
- The inclination should be less than or equal to  $1^\circ$  or in between 10 to 20mm inclined in drain direction as shown in fig.



#### [ Side of view ]

- The unit must be declined to the bottomside of the unit when finished installation.

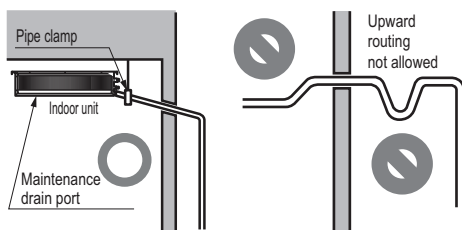


## 8. Installation

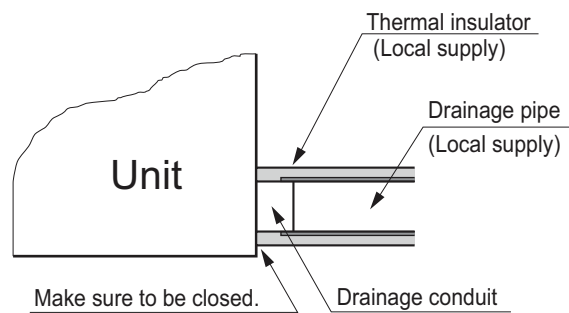
### 8.3 Indoor Unit Drain Piping

#### 8.3.1 Drain piping of indoor unit

- Drain piping must have down-slope (1/50 to 1/100). Be sure not to provide up-and-down slope to prevent reversal flow.
- During drain piping connection, be careful not to exert force on the drain port on the indoor unit.
- The outside diameter of the drain connection on the indoor unit and drain piping fittings should be referenced from 'Specifications' of each models.
  - Piping material: Use the Polyvinyl chloride pipe.
- Be sure to install heat insulation on the drain piping.
  - Heat insulation material: Polyethylene foam with thickness more than 8 mm (5/16 inch).



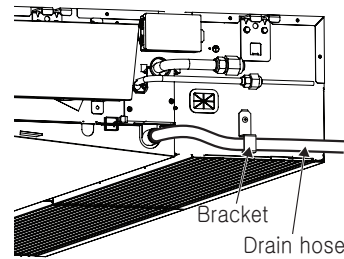
※ U-trap is not required for low static model in which the external static pressure is below 50 pa(5mm Aq)



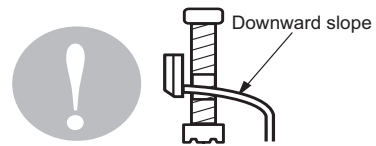
## 8. Installation

### Important

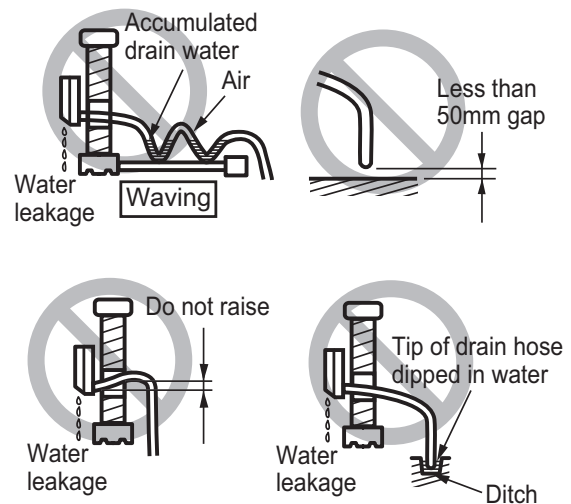
- Hook on the bracket after connecting the drain hose as shown figure.



- The drain hose should point downward for easy drain flow.



- Do not make drain piping like the following.
- Be sure to execute heat insulation on the drain piping.



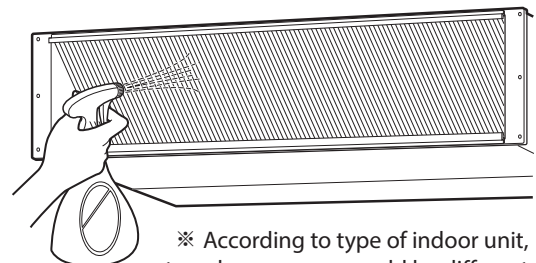
\* The feature can be changed according to type of model.

### 8.3.2 Drain test

#### ◆ Drainage test of indoor unit

Use the following procedure to test the drainage.

1. In case that there are air filter, remove the air filter first.
2. Spray one or two glasses of water on the evaporator.
3. Check the drainage. Ensure that water flows through drain hose of indoor unit without any leakage.



## 8. Installation

---

### 8.4 Connecting Cables between Indoor Unit and Outdoor Unit

#### 8.4.1 General instructions

- All field supplied parts and materials, electric works must conform to local codes. Use copper wire only.
- Follow the "**WIRING DIAGRAM**" attached to the unit body to wire the outdoor unit, indoor units and the remote controller.
- All wiring must be performed by an authorized electrician.
- A circuit breaker capable of shutting down the power supply to the entire system must be installed.

#### CAUTION

After the confirmation of the above conditions, prepare the wiring as follows:

- Never fail to have separate power specially for the air conditioner.
- Provide a circuit breaker switch between power source and the unit.
- Confirm the Specification of power source.
- Confirm that electrical capacity is sufficient.
- Be sure that the starting voltage is maintained at more than 90 percent of the rated voltage marked on the name plate.
- Confirm that the cable thickness is as specified in the power sources specification.  
(Particularly note the relation between cable length and thickness.)
- Do not install the leakage breaker in a place which is wet or moist.  
Water or moist may cause short circuit.
- The following troubles would be caused by voltage drop-down.
  - » Vibration of a magnetic switch, damage on the contact point there of, fuse breaking, disturbance to the normal function of a overload protection device.
  - » Proper starting power is not given to the compressor.

#### 8.4.2 Wiring connection

- Connect the wires to the terminals on the control board individually according to the outdoor unit connection.
- Ensure that the color of the wires of outdoor unit and the terminal No. are the same as those of indoor unit respectively.
- In case of the system with multiple indoor units, mark each indoor unit as unit A, unit B, etc and be sure the terminal board wiring to the outdoor unit and indoor units are properly matched. If wiring and piping between the outdoor unit and an indoor unit are mismatched, the system may cause a malfunction.

#### 8.4.3 Clamping of cables

1. Arrange 2 power cables on the control panel.
2. First, fasten the steel clamp with a screw to the inner boss of control panel.
3. For connecting of communication (transmission) cable, put the cable(or thinner cable) on the clamp and tighten it with a plastic clamp to the other boss of the control panel. In case that communication (transmission) cable is not needed to connect, fix the other side of the clamp with a screw strongly.

## 8. Installation

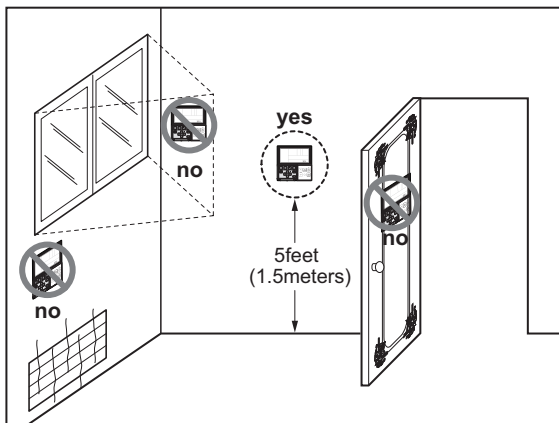
### ⚠ WARNING

- Make sure that the screws of the terminal are fixed tightly.
- The screw which fasten the wiring in the casing of electrical fittings are liable to come loose from vibrations to which the unit is subjected during the course of transportation. Check them and make sure that they are all tightly fastened. (If they are loose, it could give rise to burn-out of the wires.)
- Make sure to attach the sealing material or (field supplied) to hole of wiring to prevent the infiltration of foreign particle from outside. Otherwise a short-circuit may occur inside the electric parts box.
- When clamping the wires, be sure no pressure is applied to the wire connections by using the included clamping material to make appropriate clamps. Also, when wiring, make sure the cover on the electric parts box fits snugly by arranging the wires neatly and attaching the electric parts box cover firmly. When attaching the electric parts box cover, make sure no wires get caught in the edges. Pass wiring through the wiring through holes to prevent damage to them.
- Make sure the remote controller wiring, the wiring between the units, and other electrical wiring do not pass through the same locations outside of the unit, separating them properly, otherwise electrical noise (external static) could cause product malfunction.

### 8.4.4 Wired Remote Controller Installation (Accessory)

Since the room temperature sensor is in the remote controller, the remote controller box should be installed in a place away from direct sunlight, high humidity and direct supply of cold air to maintain proper space temperature.

Install the remote controller about 5ft(1.5m) above the floor in an area with good air circulation at an average temperature.



#### • Do not install the remote controller where it can be affected by :

- Drafts, or dead spots behind doors and in corners.
- Hot or cold air from ducts.
- Radiant heat from sun or appliances.
- Concealed pipes and chimneys.
- Uncontrolled areas such as an outside wall behind the remote controller.
- This remote controller is equipped with a seven segment LED. display. For proper display of the remote controller LED's, the remote controller should be installed properly. (The standard height is 1.2~1.5 m from floor level.)

# MULTI/SINGLE CAC

Indoor unit

## Console

- 1.List of Functions**
- 2.Specifications**
- 3.Dimensions**
- 4.Piping Diagrams**
- 5.Wiring Diagrams**
- 6.Air flow and temperature distribution**
- 7.Sound Levels**
- 8.Installation**



# 1. List of functions

## ◆ List of function

Category	Functions	ZQNW09GALA1 [UQ09F NA0] ZQNW12GALA1 [UQ12F NA0] ZQNW18GALA1 [UQ18F NA0]
Air Flow	Air Supply Outlet	2
	Airflow Direction Control (left & right)	Manual(Upper Vane Only)
	Airflow Direction Control (up & down)	Auto(Upper Vane Only)
	Auto Swing (left & right)	X
	Auto Swing (up & down)	O(Upper Vane Only)
	Airflow Steps (fan/cool/heat)	4 / 5 / 4
	Fan Speed Auto*	X
	Power Cool/Heat	O / X
	Swirl Wind*	X
	Refresh Mode**	X
	Smart Mode**	X
	Indirect Wind*	O
	Direct Wind*	O
Dry Operation	O	
Air Purification	Air Purify	X
	Ionizer	X
	UV-C	X
	Pre-Filter	O
	PM1.0 Filter	X
Reliability	Hot Start	O
	Self Diagnosis	O
Convenience	Auto Mode	O
	Auto Dry Operation	O
	Auto Restart	O
	Child Lock*	O
	Forced Operation	O
	Group Control*	O
	Sleep Timer	O
	Turn On/Off Reservation	O
	Schedule*	O
	Two Thermistor Control*	O
External On/Off	O	
Installation	Drain Pump	X
	E.S.P. Control*	X
	High Ceiling Operation*	X
Special Functions	Wi-Fi	Accessory
	Auto Elevation Grille	X
	Human Detection Function**	X
	Floor Detection Function**	X

### Note

- O : Applied, X : Not Applied, - : Unconfirmed or irrelevant  
Embedded : A kit is provided by default for using this function when the product is manufactured.  
Accessory : Ordered and purchased separately the accessory package referring to the model name provided and install at field. Accessory line-ups varies by region, so check your local catalogue or local sales material.
- Some functions can be limited by remote controller.
- In case of cassette type indoor units, Air Purification Kit and Auto Elevation Grille functions are not applicable at the same time.
- 'Auto Mode' varies depending on the outdoor unit type.
  - Auto Change Over(Single Heat Pump Outdoor Unit)
  - Auto Mode Select(Multi Heat Pump Outdoor Unit)
  - Auto Intensity Control(Cooling Only Outdoor Unit)
- \* : These functions need to connect the wired remote controller.
- \*\* : This functions need to connect to the Standard III wired remote controller.

# 1. List of functions

## ◆ Accessory Compatibility List

Category		Product	Remark	ZQNW09GALA1 [UQ09F NA0] ZQNW12GALA1 [UQ12F NA0] ZQNW18GALA1 [UQ18F NA0]
Wireless Remote Controller		PQWRHQ0FDB	Heat Pump	O (Embedded)
		PWLSSB21H	Heat Pump	O
Wired Remote Controller	Simple	PQRCVCL0Q(W)	Simple	O
		PQRCHCA0Q(W)	for Hotel	O
	Standard	PREMTB001	Standard II (White)	O
		PREMTBB01	Standard II (Black)	O
		PREMTB100	Standard III (White)	O
		PREMTBB10	Standard III (Black)	O
	Premium	PREMTA000(A/B)	Premium	O
Dry contact	Simple Contact	PDRYCB000	Simple Dry Contact	O
	Communication type	PDRYCB400	2 Points Dry Contact (For Setback)	O
		PDRYCB300	For 3rd Party Thermostat	O
		PDRYCB320	For 3rd Party Thermostat (Analog Input)	O
		PDRYCB500	For Modbus	O
Gateway	IDU PI485	PHNFP14A0	Without case	X
		PSNFP14A0	With case	X
ETC	Remote temperature sensor	PQRSTA0	-	O
	Zone controller	ABZCA	-	X
	CO <sub>2</sub> Sensor	PES-C0RV0	For ERV, ERV DX Indoor units	X
	Group control wire	PZCWRCG3	0.25m	O
	2-Remo Control Wire	PZCWRC2	0.25m	O
	Extension Wire	PZCWRC1	10m	O
	Wi-Fi Controller*	PWFMD200	-	O
	Human detecting sensor	PTVSAA0	-	X

### Note

1. O: Possible, X: Impossible, -: Not applicable, Embedded: Included with product.
2. \*: Some advanced functions controlled by individual controller cannot be operated.
3. If there is a difference in development time between the product and the remote controller, some functions cannot be operated.
4. Selecting a wireless remote controller in case of ducted type indoor units requires either a connection to the wired remote controller (Standard II) or an IR receiver accessory to be connected to the duct in order to receive the signal.
5. If you need more detail, please refer to the **BECON** PDB or the manual of product. (<http://partner.lge.com/global> : Home> Doc.Library> Product > Control(BECON))

## 2. Specifications

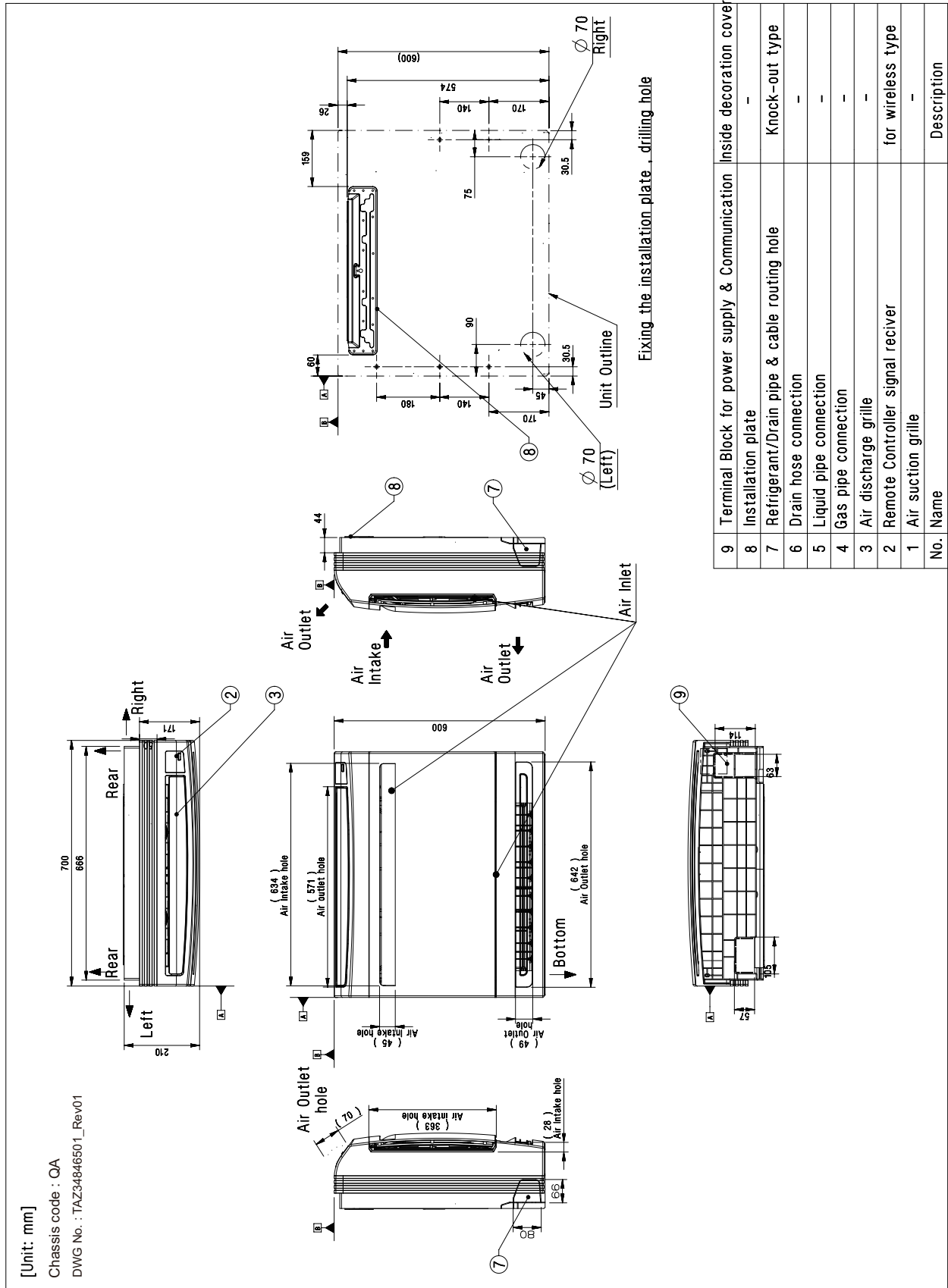
Model Name			ZQNW09GALA1 [UQ09F NA0]	ZQNW12GALA1 [UQ12F NA0]
Power Supply		V, Ø, Hz	220-240, 1, 50 220, 1, 60	220-240, 1, 50 220, 1, 60
Capacity(Nominal)	Cooling	kW	2.6	3.5
	Heating	kW	3.1	4.0
Power Input	H / M / L	W	37 / 30 / 25	37 / 30 / 25
Running Current	H / M / L	A	0.53 / 0.51 / 0.48	0.53 / 0.51 / 0.48
	Max.	A	0.70	0.70
Exterior	Color (RAL Code)	-	Morning Fog (9001)	Morning Fog (9001)
Dimensions	W x H x D	mm	700 x 600 x 210	700 x 600 x 210
Weight	Net	kg	16.3	16.3
	Shipping	kg	19.3	19.3
Heat Exchanger	Rows x Columns x FPI	-	2 x 19 x 19	2 x 19 x 19
	Face Area	m <sup>2</sup>	0.18	0.18
Fan Type		-	Turbo Fan	Turbo Fan
Air Flow Rate	H / M / L	m <sup>3</sup> /min	8.5 / 6.7 / 5.0	8.5 / 6.7 / 5.0
Fan Motor	Type	-	BLDC	BLDC
	Drive	-	Internal	Internal
	Output	W x No.	48 x 1	48 x 1
Sound Pressure Level	Cooling	H / M / L	dB(A)	38 / 32 / 27
	Heating	H / M / L	dB(A)	38 / 32 / 27
Sound Power Level	Cooling	Rated	dB(A)	59
	Heating	Rated	dB(A)	-
Piping Connections	Liquid	mm(inch)	Ø 6.35 (1/4)	Ø 6.35 (1/4)
	Gas	mm(inch)	Ø 9.52 (3/8)	Ø 9.52 (3/8)
	Drain (O.D. / I.D.)	mm	Ø 16.7 / 12.2	Ø 16.7 / 12.2
Safety Devices		-	Fuse	
		-	Thermal Protector for Fan Motor	
Power and Communication Cable (included Earth)		No. x mm <sup>2</sup> (AWG)	4C x 0.75 (18)	4C x 0.75 (18)
<b>Note</b>				
<ol style="list-style-type: none"> <li>Due to our policy of innovation some specifications may be changed without notification.</li> <li>Wiring cable size must comply with the applicable local and national code. And "Electric characteristics" chapter should be considered for electrical work and design. Especially the power cable and circuit breaker should be selected in accordance with that.</li> <li>Sound Level Values are measured at Noise Measuring chamber accordance with standard. Therefore, these values depend on the ambient conditions and values are normally higher in actual operation(Sound Pressure : LG Internal standard, Sound Power : EN 12102 (ISO 3741).</li> <li>Capacities are net capacities and based on the following conditions. Refer to the Outdoor Unit Specifications for calculating the real capacity. <ul style="list-style-type: none"> <li>Cooling : Indoor Ambient Temp. 27°CDB / 19°CWB, Outdoor Ambient Temp. 35°CDB / 24°CWB</li> <li>Heating : Indoor Ambient Temp. 20°CDB / 15°CWB, Outdoor Ambient Temp. 7°CDB / 6°CWB</li> <li>Interconnected Pipe is standard length and difference of Elevation (Outdoor ~ Indoor Unit) is 0m.</li> </ul> </li> </ol>				

## 2. Specifications

Model Name			ZQNW18GALA1 [UQ18F NA0]	
Power Supply		V, Ø, Hz	220-240, 1, 50	
			220, 1, 60	
Capacity(Nominal)	Cooling	kW	5.0	
	Heating	kW	4.9	
Power Input	H / M / L	W	44 / 39 / 35	
Running Current	H / M / L	A	0.59 / 0.54 / 0.52	
	Max.	A	0.70	
Exterior	Color (RAL Code)	-	Morning Fog (9001)	
Dimensions	W x H x D	mm	700 x 600 x 210	
Weight	Net	kg	16.3	
	Shipping	kg	19.3	
Heat Exchanger	Rows x Columns x FPI	-	2 x 19 x 19	
	Face Area	m <sup>2</sup>	0.18	
Fan Type		-	Turbo Fan	
Air Flow Rate	H / M / L	m <sup>3</sup> /min	10.1 / 8.6 / 7.2	
Fan Motor	Type	-	BLDC	
	Drive	-	Internal	
	Output	W x No.	48 x 1	
Sound Pressure Level	Cooling	H / M / L	dB(A)	
	Heating	H / M / L	dB(A)	
Sound Power Level	Cooling	Rated	dB(A)	
	Heating	Rated	dB(A)	
Piping Connections	Liquid	mm(inch)	Ø 6.35 (1/4)	
	Gas	mm(inch)	Ø 12.7 (1/2)	
	Drain (O.D. / I.D.)	mm	Ø 16.7 / 12.2	
Safety Devices		-	Fuse	
		-	Thermal Protector for Fan Motor	
Power and Communication Cable (included Earth)		No. x mm <sup>2</sup> (AWG)	4C x 0.75 (18)	
<b>Note</b>				
1. Due to our policy of innovation some specifications may be changed without notification.				
2. Wiring cable size must comply with the applicable local and national code. And "Electric characteristics" chapter should be considered for electrical work and design. Especially the power cable and circuit breaker should be selected in accordance with that.				
3. Sound Level Values are measured at Noise Measuring chamber accordance with standard. Therefore, these values depend on the ambient conditions and values are normally higher in actual operation(Sound Pressure : LG Internal standard, Sound Power : EN 12102 (ISO 3741).				
4. Capacities are net capacities and based on the following conditions. Refer to the Outdoor Unit Specifications for calculating the real capacity.				
<ul style="list-style-type: none"> <li>• Cooling : Indoor Ambient Temp. 27°CDB / 19°CWB, Outdoor Ambient Temp. 35°CDB / 24°CWB</li> <li>• Heating : Indoor Ambient Temp. 20°CDB / 15°CWB, Outdoor Ambient Temp. 7°CDB / 6°CWB</li> <li>• Interconnected Pipe is standard length and difference of Elevation (Outdoor ~ Indoor Unit) is 0m.</li> </ul>				

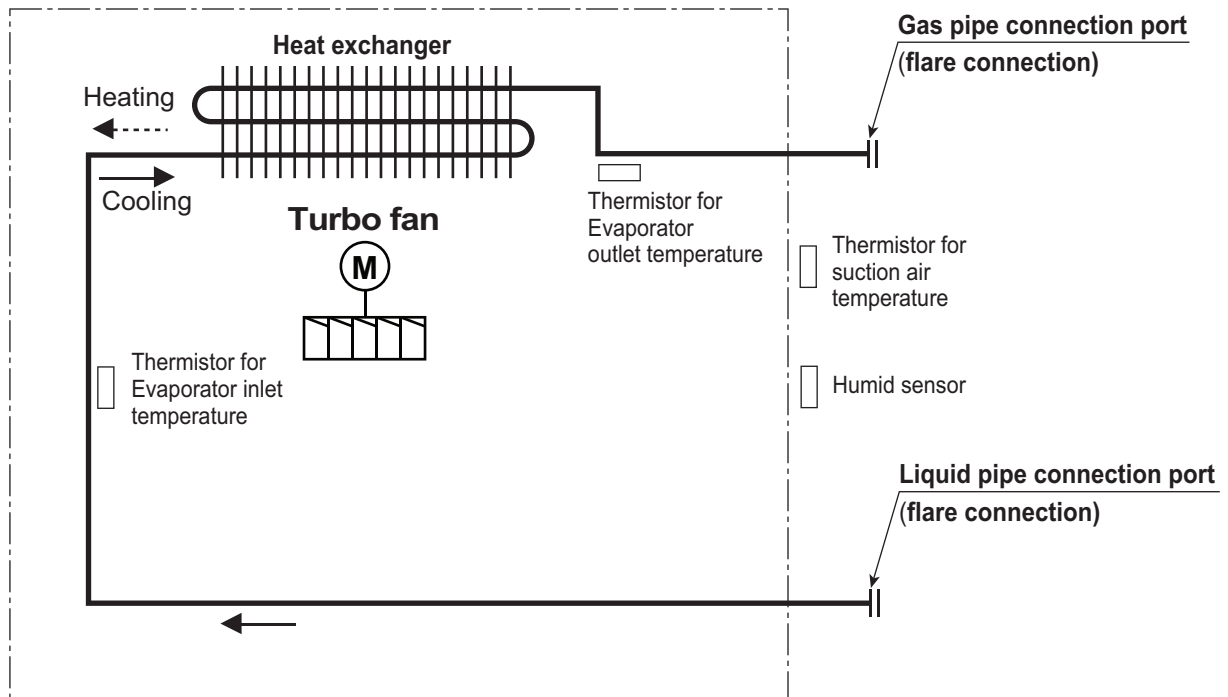
### 3. Dimensions

■ ZQNW09GALA1 [UQ09F NA0] / ZQNW12GALA1 [UQ12F NA0] / ZQNW18GALA1 [UQ18F NA0]



## 4. Piping Diagrams

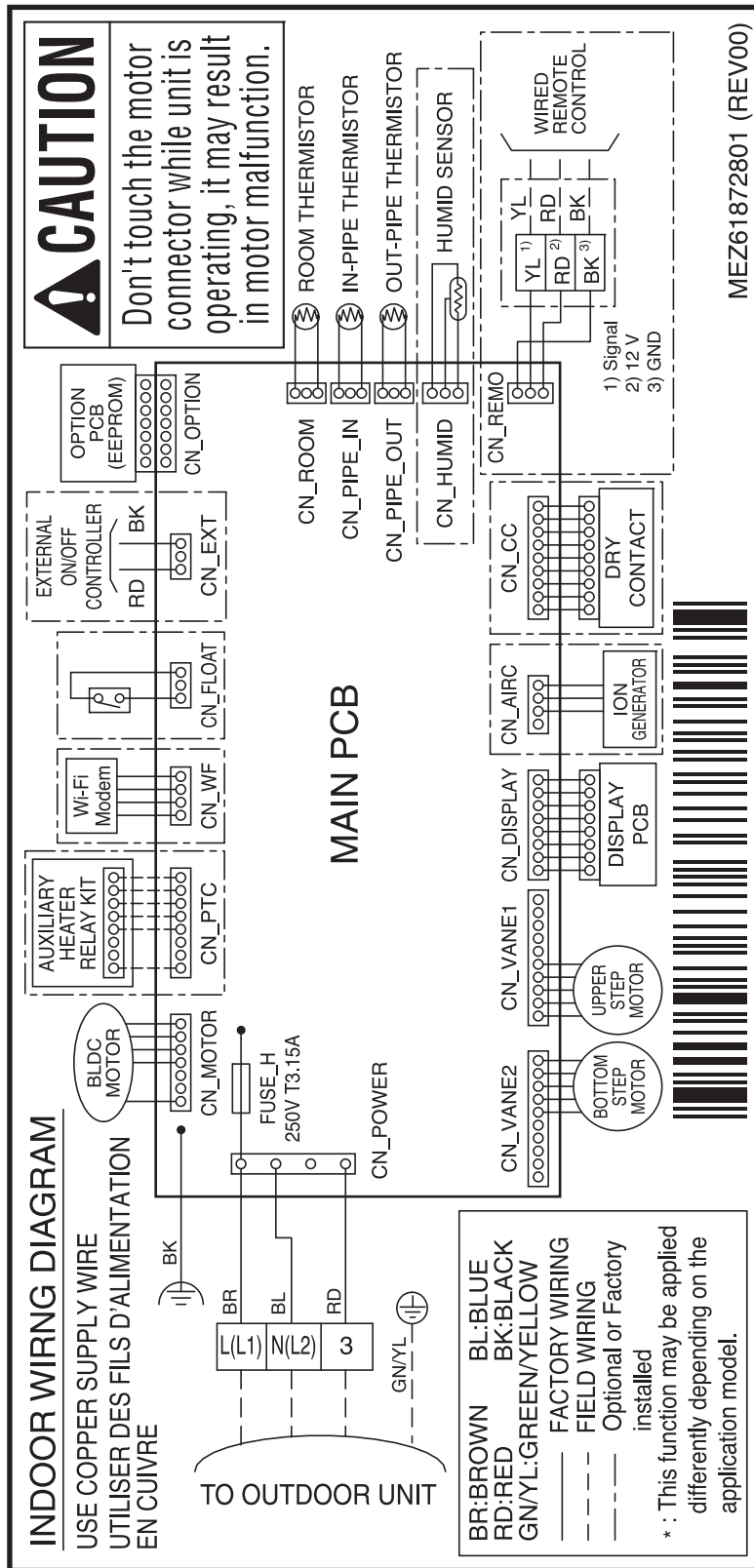
■ ZQNW09GALA1 [UQ09F NA0] / ZQNW12GALA1 [UQ12F NA0]  
/ ZQNW18GALA1 [UQ18F NA0]



Description	PCB Connector
Thermistor for suction air temperature	CN-ROOM
Thermistor for evaporator inlet temperature	CN-PIPE_IN
Thermistor for evaporator outlet temperature	CN-PIPE_OUT
Humid sensor	CN_HUMID

# 5. Wiring Diagrams

■ ZQNW09GALA1 [UQ09F NA0] / ZQNW12GALA1 [UQ12F NA0] / ZQNW18GALA1 [UQ18F NA0]

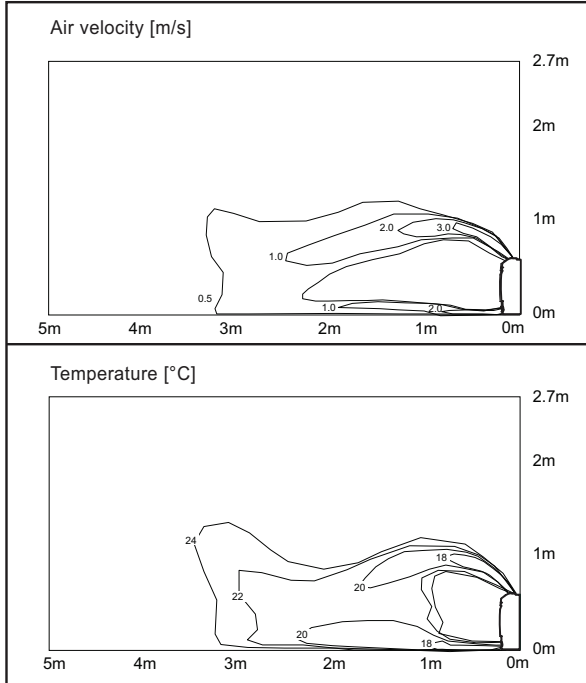


## 6. Air flow and temperature distributions (reference data)

### ■ ZQNW09GALA1 [UQ09F NA0] / ZQNW12GALA1 [UQ12F NA0]

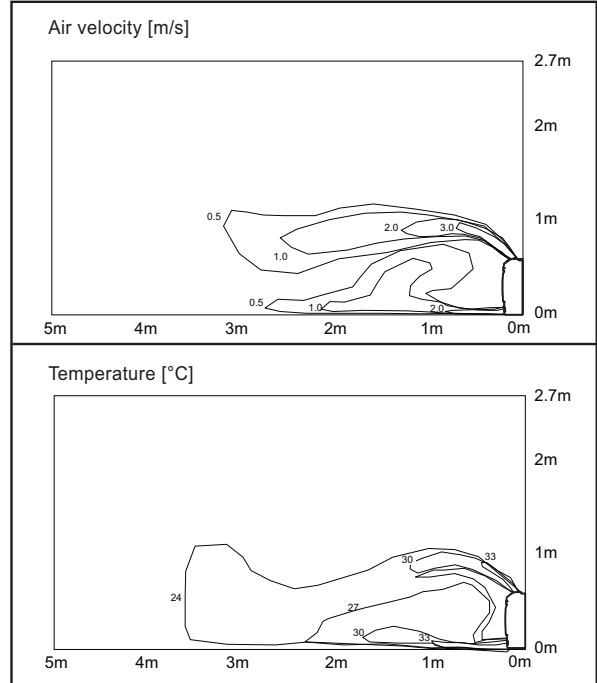
#### Cooling

Discharge angle: 40°



#### Heating

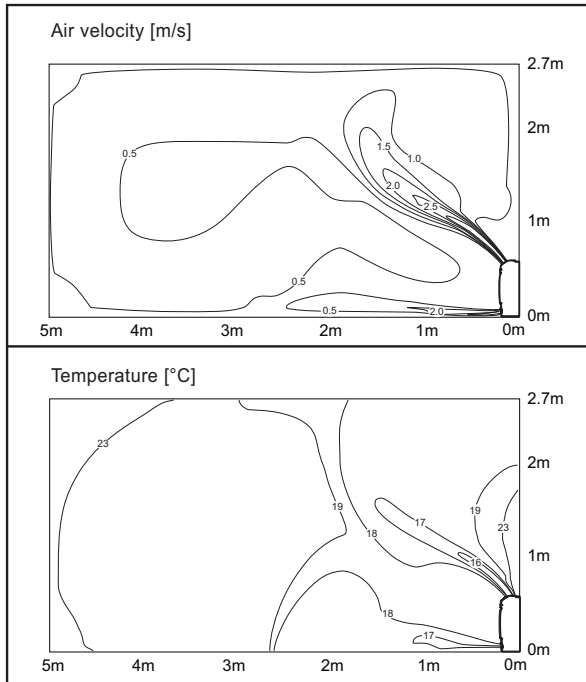
Discharge angle: 50°



### ■ ZQNW18GALA1 [UQ18F NA0]

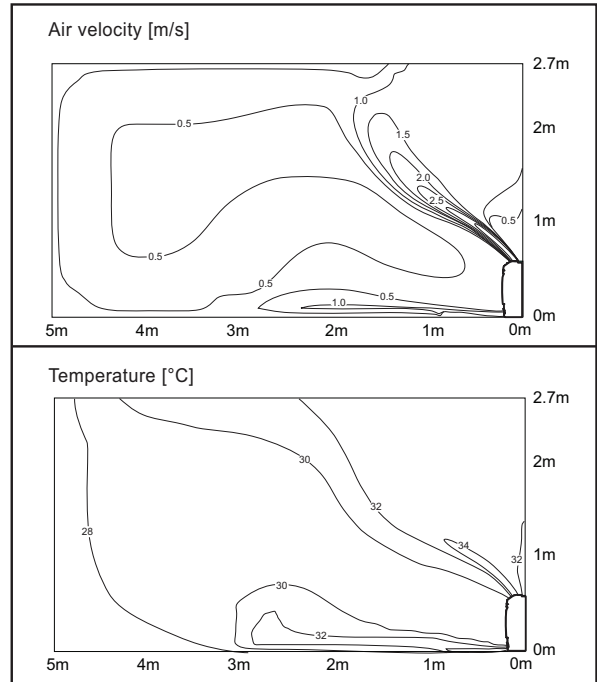
#### Cooling

Discharge angle: 40°



#### Heating

Discharge angle: 50°



**Note**

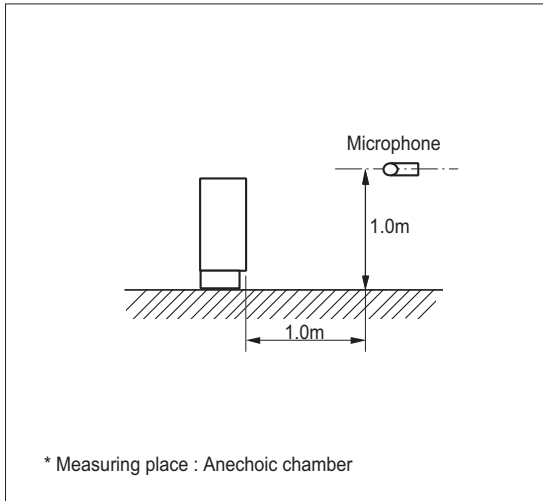
- These figures are accordance with normal certain condition and environment. (Airflow step is 'High', Air discharge angle is fixed as indicated angle.)
- Indoor airflow distribution under actual installation or operating conditions depends on ambient temperature, ceiling height, product installation direction / location, indoor / Heating load, and other obstacles, etc.



# 7. Sound Levels

## 7.1 Sound Pressure Level

### Overall

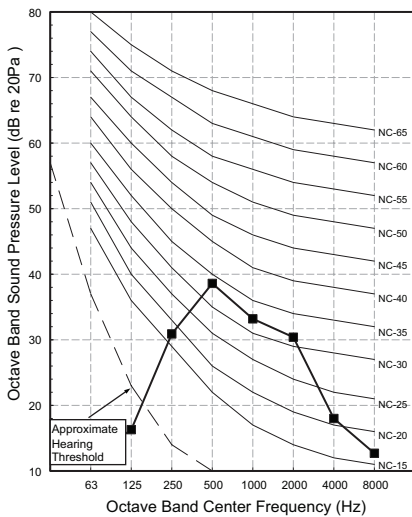


**Note**

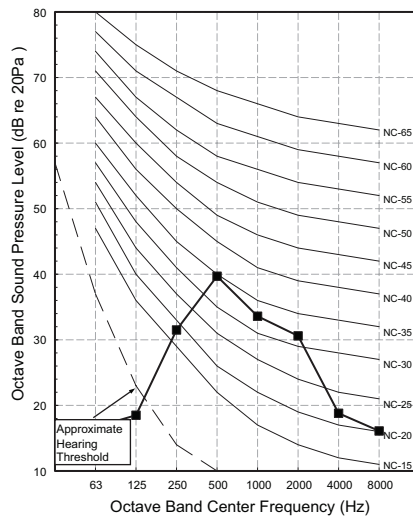
1. Sound measured at some distance away from the center of the unit.
2. Data is valid at free field condition.
3. Reference acoustic pressure 0dB = 20μPa.
4. Data is valid at nominal operation condition.  
Refer to the Model Specifications for nominal conditions(Power source and Ambient temperature, etc)
5. Sound levels can be increased in accordance with installation and operating conditions. (Static pressure mode, used air guide, Room target temperature setting, etc)
6. Sound level will vary depending on a range of factors such as the construction(acoustic absorption coefficient) of the particular room in which the equipment is installed.
7. Sound pressure level is measured on the rated condition in the anechoic rooms. (LG Internal Standard)  
Therefore, these values can be increased owing to ambient conditions during operation.

Model	50Hz, 220-240V		
	Sound pressure Levels [dB(A)]		
	H	M	L
ZQNW09GALA1 [UQ09F NA0]	38	32	27
ZQNW12GALA1 [UQ12F NA0]	38	32	27
ZQNW18GALA1 [UQ18F NA0]	44	39	35

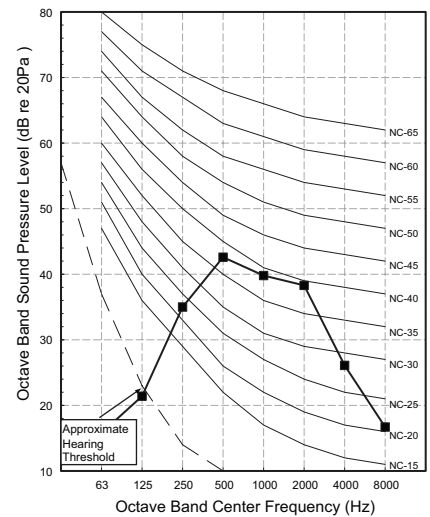
**ZQNW09GALA1 [UQ09F NA0]**



**ZQNW12GALA1 [UQ12F NA0]**



**ZQNW18GALA1 [UQ18F NA0]**



# 7. Sound Levels

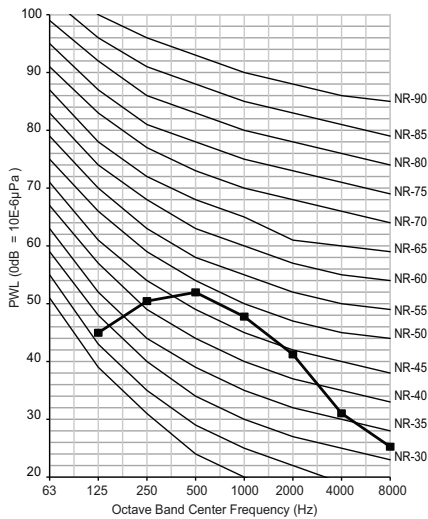
## 7.2 Sound Power Level

### Note

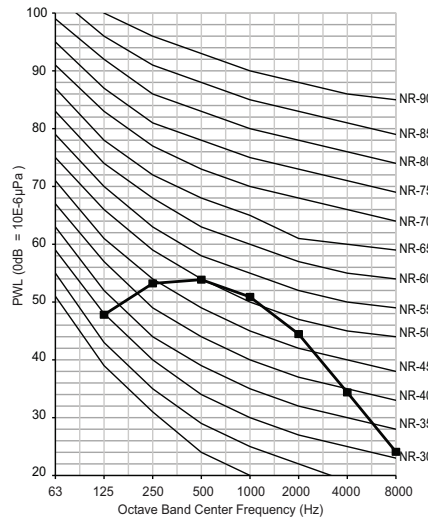
1. Data is valid at diffuse field condition.
2. Data is valid at nominal operation condition.  
Refer to the Model Specifications for nominal conditions(Power source and Ambient temperature, etc)
3. Sound level can be increased in static pressure mode or used air guide.
4. Sound level will vary depending on a range of factors such as the construction (acoustic absorption coefficient).
5. Reference acoustic intensity 0dB =  $10E-6\mu W/m^2$
6. Sound power level is measured on the rated condition in the reverberation rooms by ISO 3741 standard.  
Therefore, these values can be increased owing to ambient conditions during operation.

Model	Sound power level [dB(A)]
	Cooling
ZQNW09GALA1 [UQ09F NA0]	59
ZQNW12GALA1 [UQ12F NA0]	59
ZQNW18GALA1 [UQ18F NA0]	60

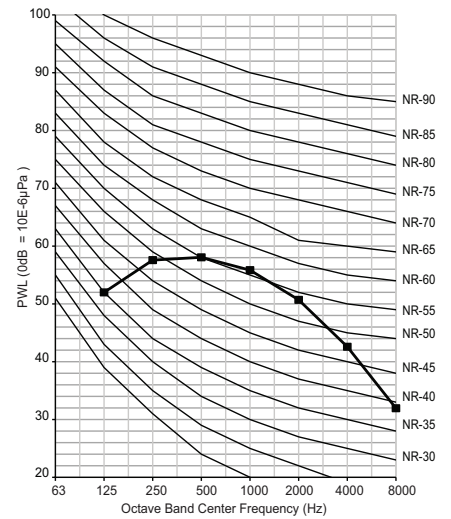
**ZQNW09GALA1 [UQ09F NA0]**



**ZQNW12GALA1 [UQ12F NA0]**



**ZQNW18GALA1 [UQ18F NA0]**

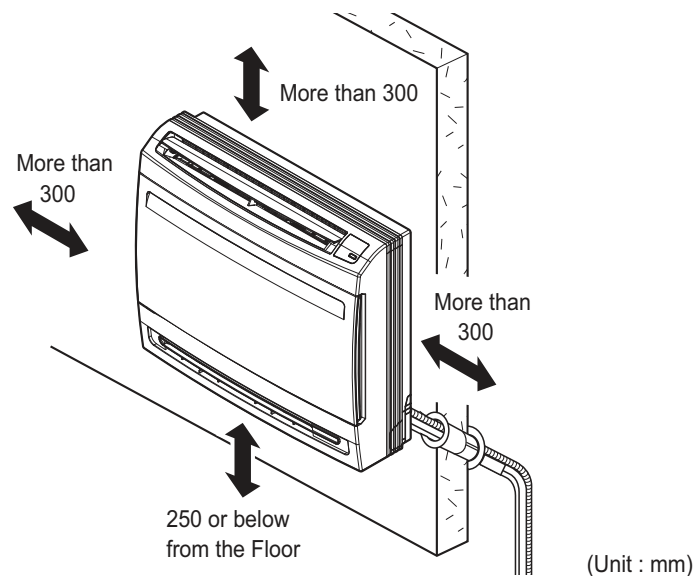


## 8. Installation

- Please read the instruction sheets completely before installing the product.
- When the power cord is damaged, replacement work shall be performed by authorized personnel only.
- Installation work must be performed in accordance with the national wiring standards.
- Teach the customer the operation and maintenance procedures, using the operation manual. (air filter cleaning, temperature control, etc.)

### 8.1 Selection of the best location

- The place where room air circulation is good.
- There should not be any obstacles to the air circulation or installation. Ensure the spaces from the wall, ceiling, or other obstacles.
- There should not be any heat source or steam near the unit.
- Do not install the unit near the door.
- The place where the unit is leveled.
- The place shall allow easy water drainage.
- The place where bear a load exceeding four times of the indoor unit weight.
- The place where the indoor unit can be connected with outdoor unit easily.
- The place where the unit is not affected by an electrical noise.
- The place where noise prevention is taken into consideration.



#### **CAUTION**

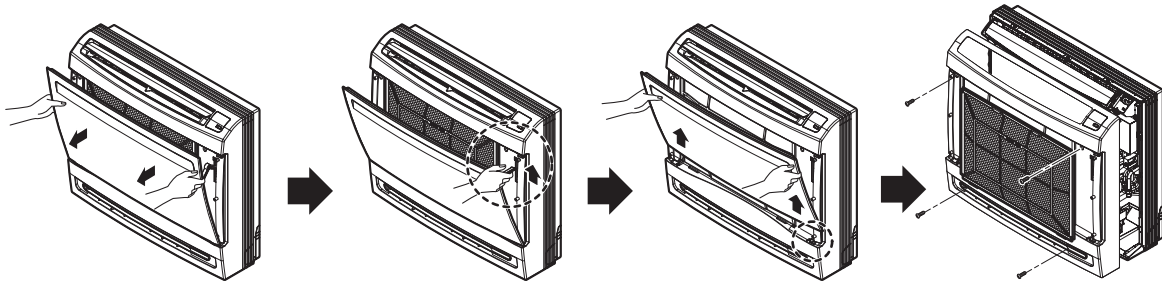
In case that the unit is installed near the sea, the installation parts may be corroded by salt. The installation parts (and the unit) should be taken appropriate anti-corrosion measures.

### 8.2 Indoor unit installation

#### 1. Preparation / Removing front panel

- 1) Open the front grille by pulling forward
- 2) Then pull out the link of grille from groove in front panel.
- 3) Then pull out 2 hinges of grille from grooves in front panel.
- 4) Then remove 4 screws, dismount the front panel while pulling it forward.

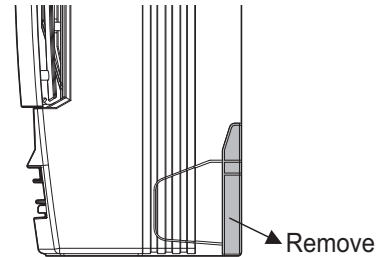
## 8. Installation



### 2. Preparation / For Moldings , Side Piping, and Concealed Installation

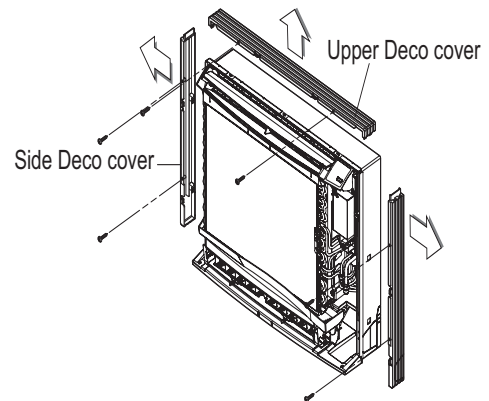
#### 2-1 For Molding

1. Remove the slit portions on the Rear Panel.



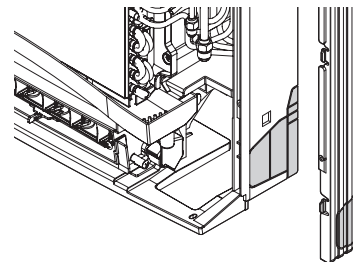
#### 2-2. For Concealed Installation

1. Remove the 6 screws.
2. Remove the Upper Deco cover.
3. Remove the Side Deco covers.



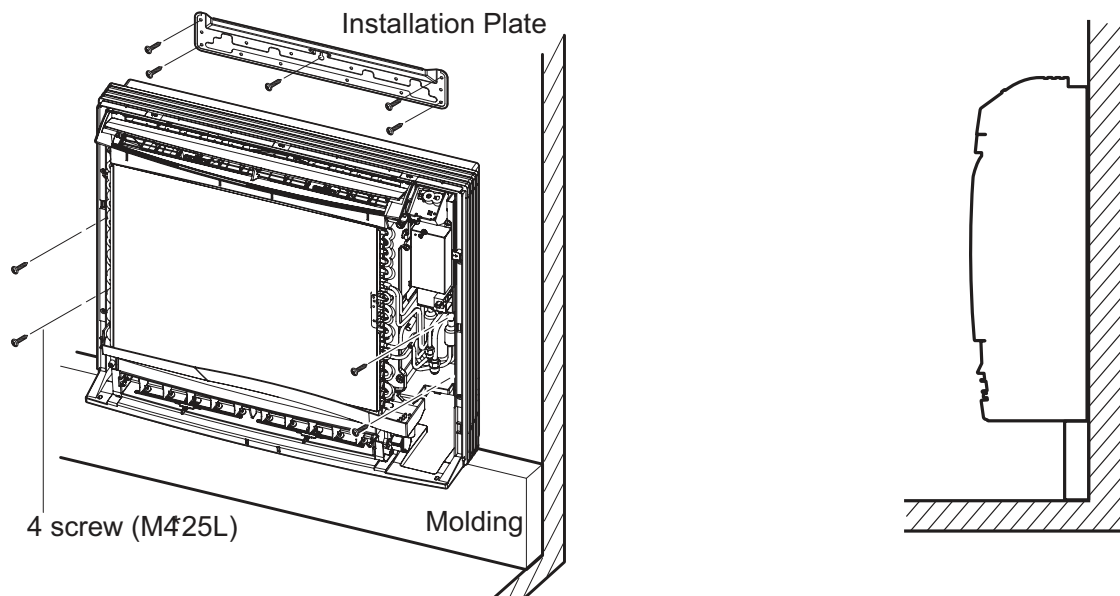
#### 2-3 For Side Piping (Reference 2-2.)

1. Remove the Deco Covers.
2. Remove the slit portions.
3. Assemble the Deco Covers.



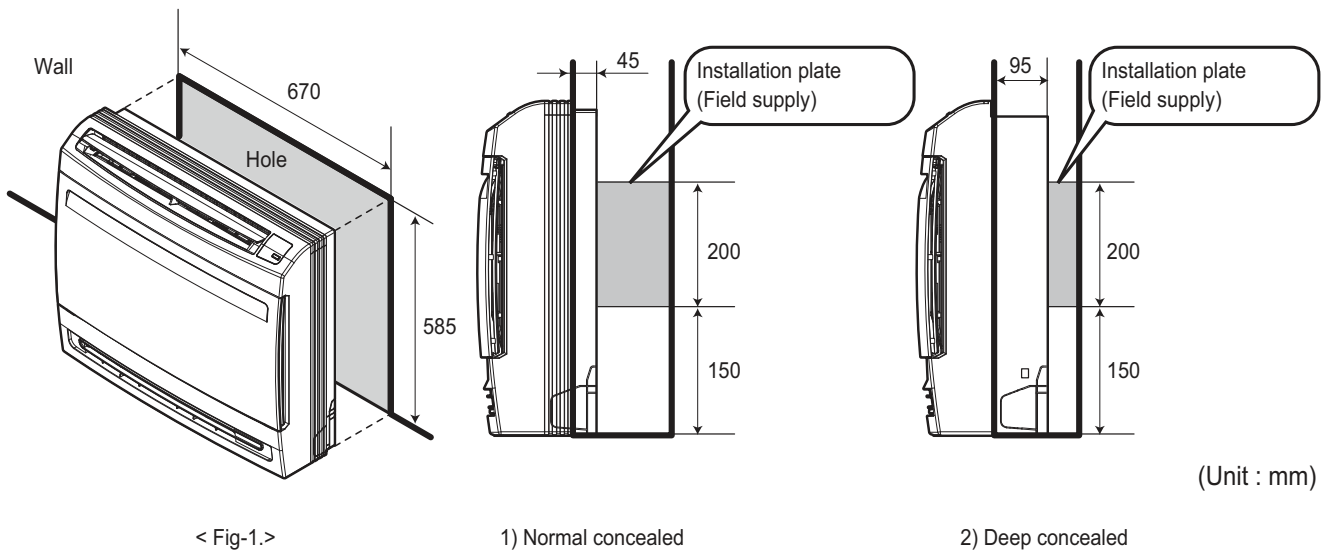


## 8. Installation



### 3) Half concealed installation.

1. Make a wall hole of the size shown Fig-1.



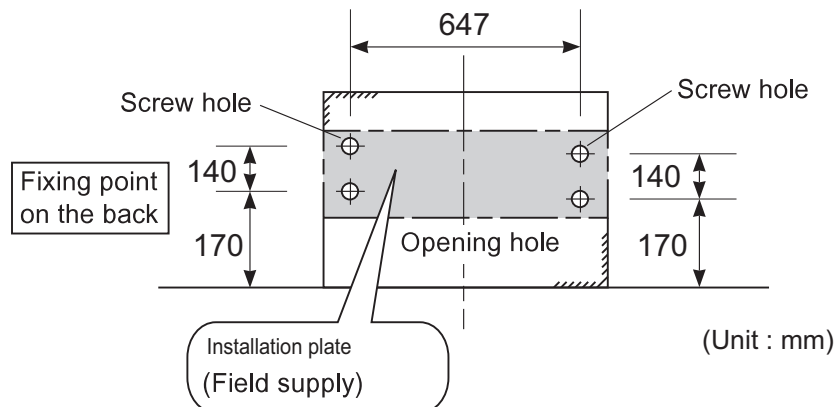
< Fig-1.>

1) Normal concealed

2) Deep concealed

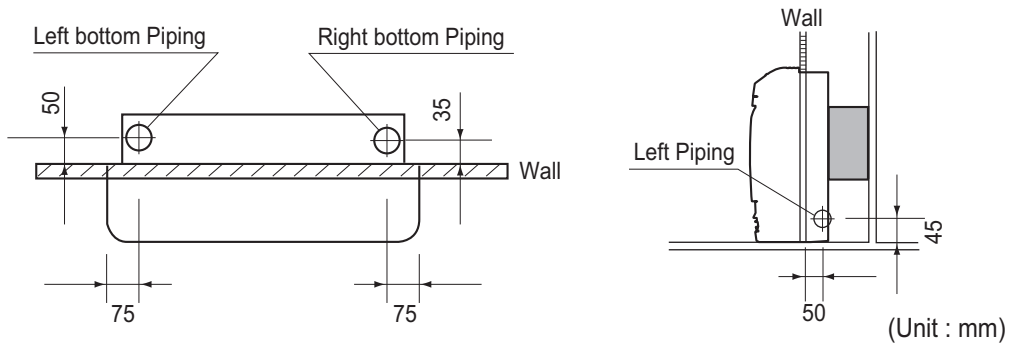
### 2. Installation of Installation plate for attaching main unit

- The rear of the unit can be fixed with screws at the points shown in the Fig-2. Be sure to install the supplemental plate in accordance with the depth of the inner wall.



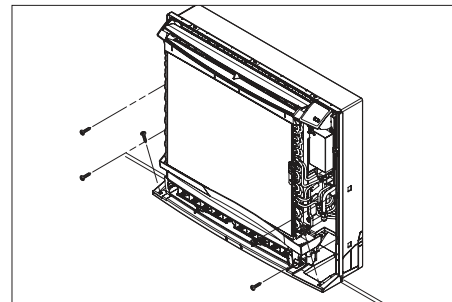
## 8. Installation

### 3. Piping Hole



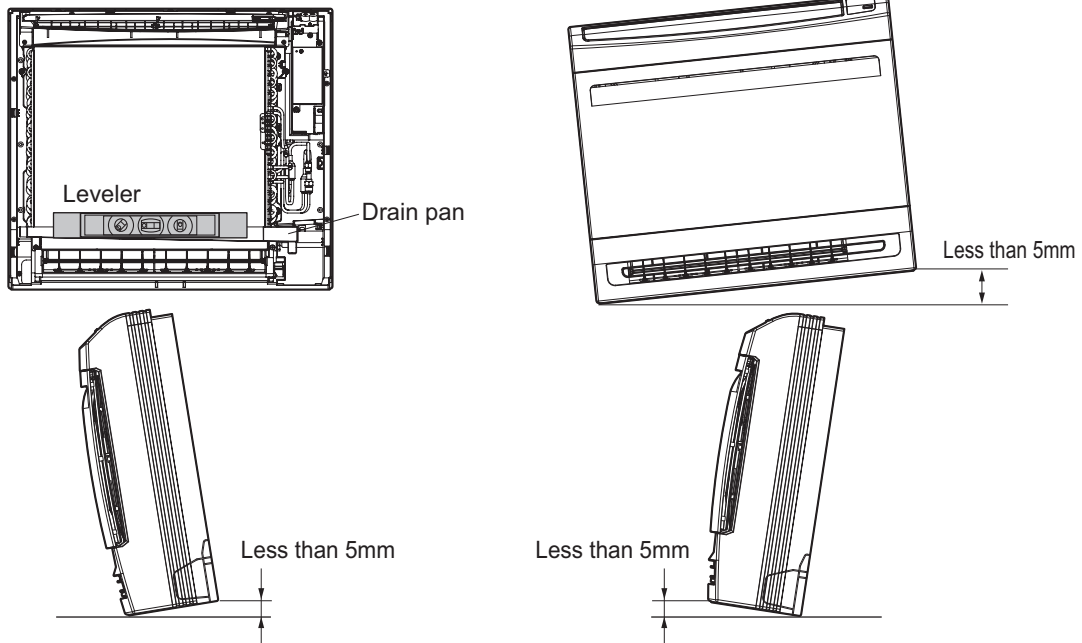
### 4. Remove the Deco Covers and Fixing Indoor Unit

- 1.Remove the Deco Covers.
- 2.Insert the Indoor Unit to the Wall hole.
- 3.Secure using 6 screws. (shown in the illustration)



### Notice

- Check the horizon of Indoor unit with the wall. Please use the Leveler on the drain pan guide.

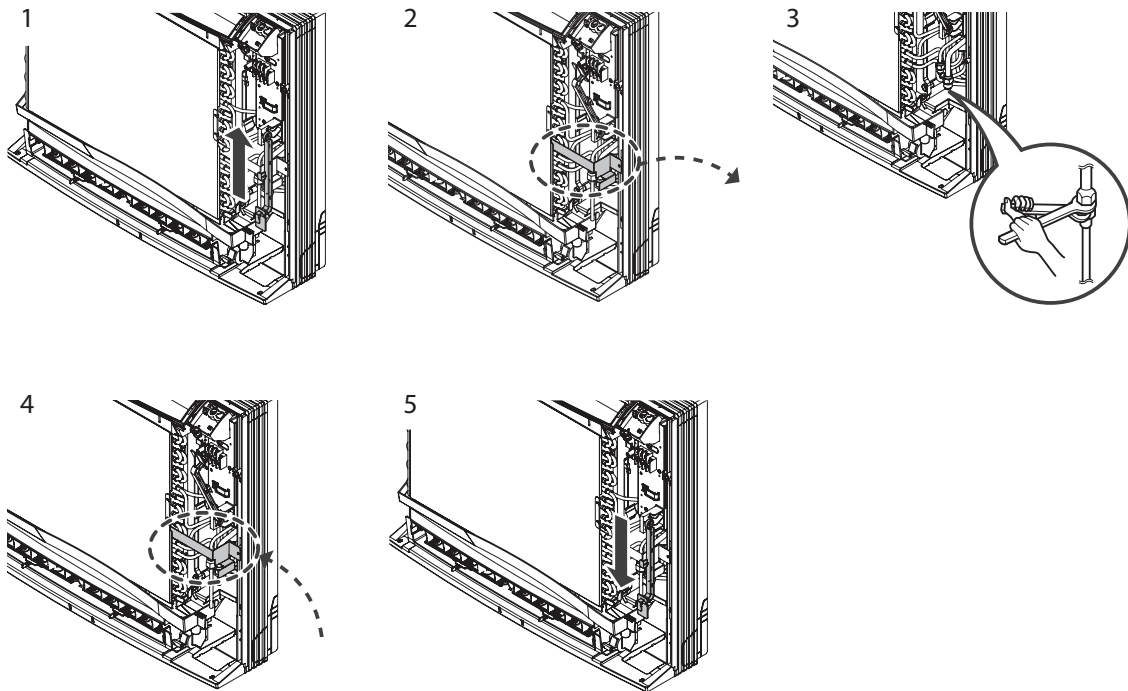


## 8. Installation

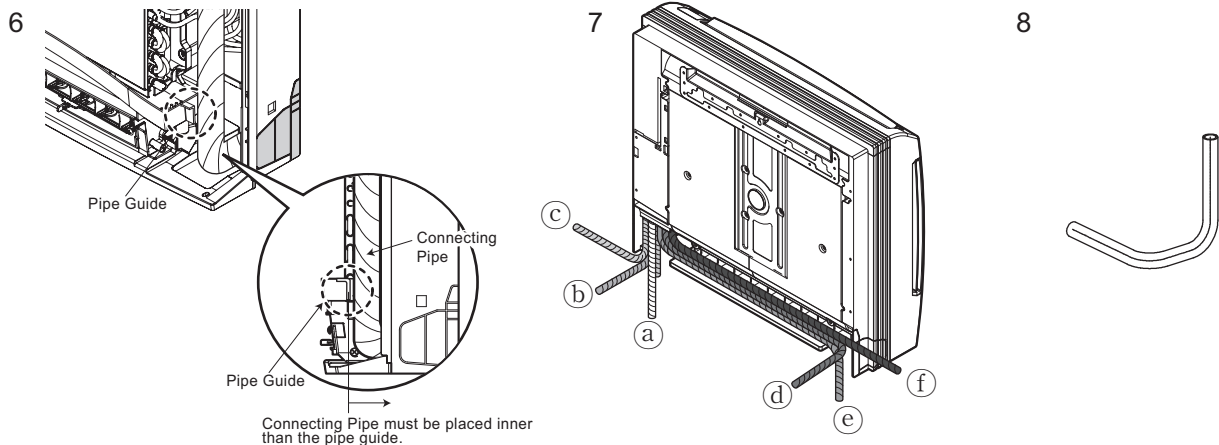
### 8.3 Connecting the Piping

When you connect the refrigerant pipe, it is easier that you connect the gas pipe first.

1. Hold up the Sensor Link.
2. Separate the Pipe Bracket (2 screws)
3. Connect the refrigerant pipe. (Refer to next page)
4. Assemble the Pipe Bracket (2 screws)
5. Put down the Sensor Link



6. After connecting, check the pipe arrangement as per illustration.
7. The piping can be arranged in six ways as shown in the illustration below.



#### **CAUTION**

In case of © - (f), The pipe bending can be used in hand-operated bending machine. Make a pipe of the shape shown pic 8.

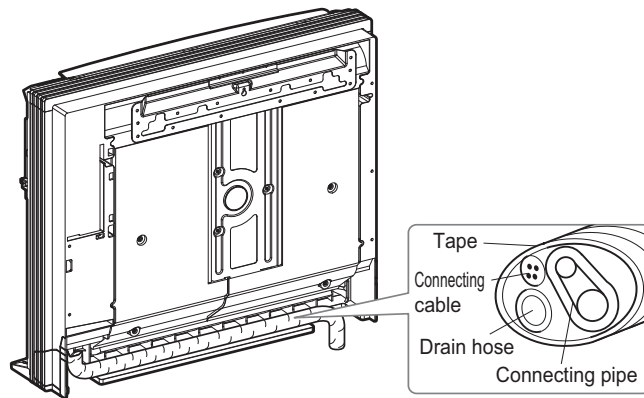
#### **CAUTION**

If the drain hose is routed inside the room insulate the hose with an insulation material\* sothat dripping from sweating (condensation) willnot damage furniture or floors.

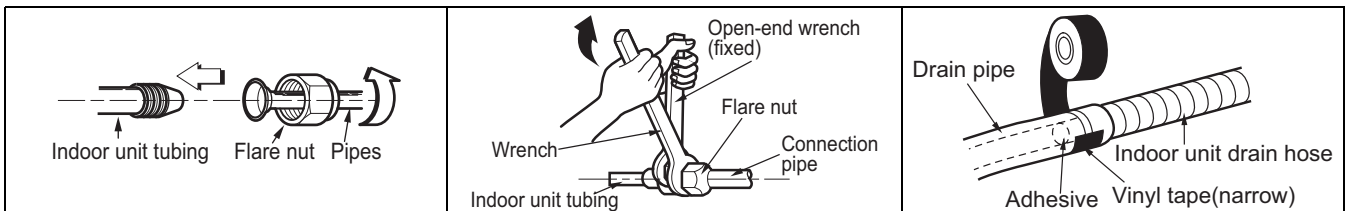


## 8. Installation

- Foamed polyethylene or equivalent is recommended.



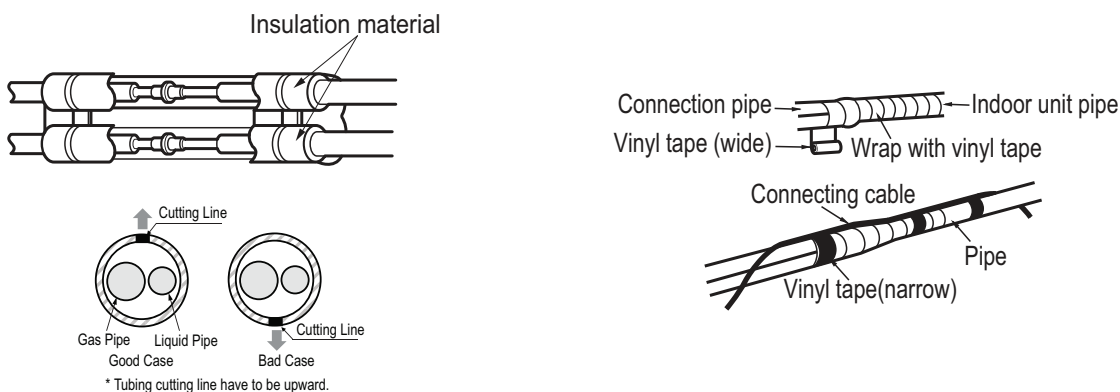
### ■ Connecting the installation pipe and drain hose



1. Align the center of the pipes and sufficiently tighten the flare nut by hand.
2. Tighten the flare nut with a wrench.
3. When needed to extend the drain hose of indoor unit, assembly the drain pipe as shown on the drawing.

### ■ Wrap the insulation material around the connecting portion.

1. Overlap the connection pipe insulation material and the indoor unit pipe insulation material. Bind them together with vinyl tape so that there may be no gap.
2. Set the tubing cutting line upward. Wrap the area which accommodates the rear piping housing section with vinyl tape.
3. Bundle the piping and drain hose together by wrapping them with vinyl tape sufficient enough to cover where they fit into the rear piping housing section. Be sure that the drain hose is located at the lowest side of the bundle. Locating at the upper side can cause overflow from the drain pan through the inside of the unit.



### ⚠ CAUTION

If the drain hose is routed inside the room insulate the hose with an insulation material\* so that dripping from sweating condensation) will not damage furniture or floors.

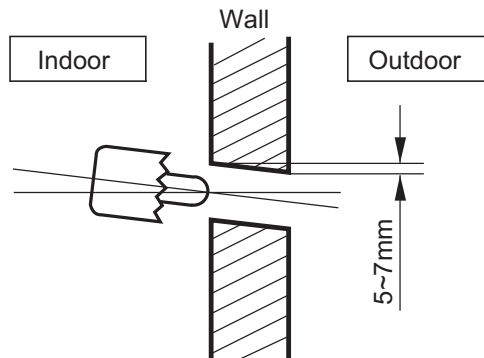
\* Foamed polyethylene or equivalent is recommended.

## 8. Installation

### 8.4 Drain piping connection

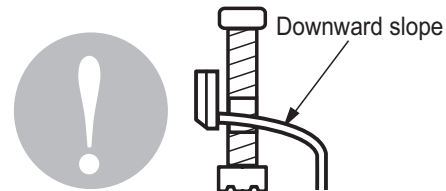
#### ◆ Drill a Hole in the wall

1. Drill the piping hole with a  $\varnothing$  70mm hole core drill.  
Drill the piping hole at either the right or the left with the holes slightly slanted to the outdoor side.

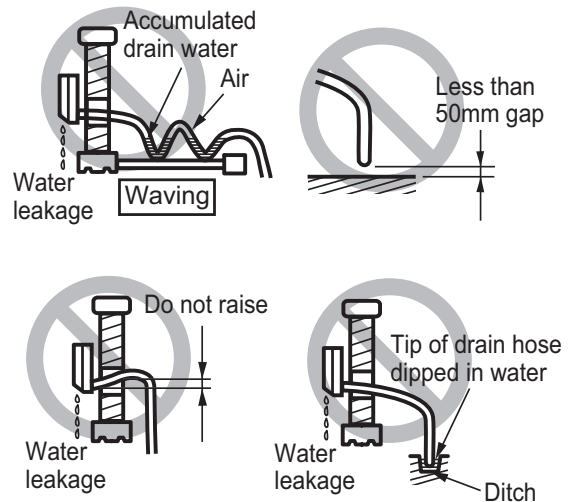


#### ◆ Drain Piping

1. The drain hose should point downward for easy drain flow



2. Do not make drain piping like the following.



\* The feature can be changed according to type of model.

## 8.5 Connecting cables between Indoor Unit and Outdoor Unit

### 8.5.1 General instructions

- All field supplied parts and materials, electric works must conform to local codes. Use copper wire only.
- Follow the **"WIRING DIAGRAM"** attached to the unit body to wire the outdoor unit, indoor units and the remote controller.
- All wiring must be performed by an authorized electrician.
- A circuit breaker capable of shutting down the power supply to the entire system must be installed.

**⚠ CAUTION**

## 8. Installation

---

After the confirmation of the above conditions, prepare the wiring as follows:

- Never fail to have separate power specially for the air conditioner.
  - Provide a circuit breaker switch between power source and the unit.
  - Confirm the Specification of power source.
  - Confirm that electrical capacity is sufficient.
  - Be sure that the starting voltage is maintained at more than 90 percent of the rated voltage marked on the name plate.
  - Confirm that the cable thickness is as specified in the power sources specification.  
(Particularly note the relation between cable length and thickness.)
  - Do not install the leakage breaker in a place which is wet or moist.  
Water or moist may cause short circuit.
  - The following troubles would be caused by voltage drop-down.
    - » Vibration of a magnetic switch, damage on the contact point there of, fuse breaking, disturbance to the normal function of a overload protection device.
    - » Proper starting power is not given to the compressor.
- 

### 8.5.2 Wiring connection

- Connect the wires to the terminals on the control board individually according to the outdoor unit connection.
- Ensure that the color of the wires of outdoor unit and the terminal No. are the same as those of indoor unit respectively.
- In case of the system with multiple indoor units, mark each indoor unit as unit A, unit B, etc and be sure the terminal board wiring to the outdoor unit and indoor units are properly matched. If wiring and piping between the outdoor unit and an indoor unit are mismatched, the system may cause a malfunction.

### 8.5.3 Clamping of cables

1. Arrange 2 power cables on the control panel.
  2. First, fasten the steel clamp with a screw to the inner boss of control panel.
  3. For connecting of communication (transmission) cable, put the cable(or thinner cable) on the clamp and tighten it with a plastic clamp to the other boss of the control panel. In case that communication (transmission) cable is not needed to connect, fix the other side of the clamp with a screw strongly.
- 

#### **WARNING**

- Make sure that the screws of the terminal are fixed tightly.
  - The screw which fasten the wiring in the casing of electrical fittings are liable to come loose from vibrations to which the unit is subjected during the course of transportation. Check them and make sure that they are all tightly fastened. (If they are loose, it could give rise to burn-out of the wires.)
  - Make sure to attach the sealing material or (field supplied) to hole of wiring to prevent the infiltration of foreign particle from outside. Otherwise a short-circuit may occur inside the electric parts box.
  - When clamping the wires, be sure no pressure is applied to the wire connections by using the included clamping material to make appropriate clamps. Also, when wiring, make sure the cover on the electric parts box fits snugly by arranging the wires neatly and attaching the electric parts box cover firmly. When attaching the electric parts box cover, make sure no wires get caught in the edges. Pass wiring through the wiring through holes to prevent damage to them.
  - Make sure the remote controller wiring, the wiring between the units, and other electrical wiring do not pass through the same locations outside of the unit, separating them properly, otherwise electrical noise (external static) could cause product malfunction.
-

## 8. Installation

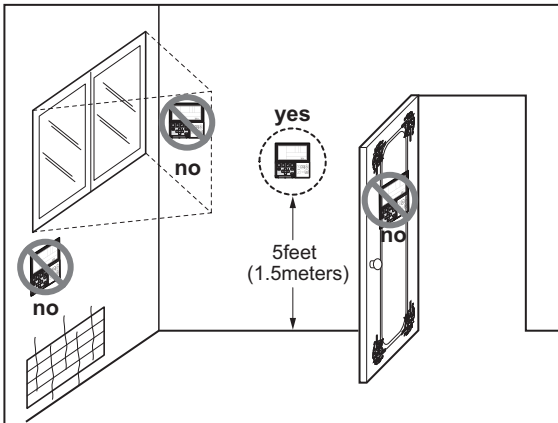
### 8.5.4 Wired Remote Controller Installation (Optional)

#### Note

- According to the type of model, applicable type of remote controller can be changed. Refer to the accessory list or installation manual of each model.

Since the room temperature sensor is in the remote controller, the remote controller box should be installed in a place away from direct sunlight, high humidity and direct supply of cold air to maintain proper space temperature.

Install the remote controller about 5ft(1.5m) above the floor in an area with good air circulation at an average temperature.



#### • Do not install the remote controller where it can be affected by :

- Drafts, or dead spots behind doors and in corners.
- Hot or cold air from ducts.
- Radiant heat from sun or appliances.
- Concealed pipes and chimneys.
- Uncontrolled areas such as an outside wall behind the remote controller.
- This remote controller is equipped with a seven segment LED. display. For proper display of the remote controller LED's, the remote controller should be installed properly. (The standard height is 1.2~1.5 m from floor level.)

# ACCESSORY

## **Accessory**

- 1. Air Purification Kit**
- 2. UVnano Filter Box Kit**



# ACCESSORY

## **Air Purification Kit**

### **1. Specification**

# 1. Specification

Specification		Unit	1way Cassette	
			TU	TT
Air Purification Kit Model		-	PTAHTP0	
Air Purification Panel		-	PT-UPHG0	PT-TPHG0
PM1.0 Sensor	Size (W x H x D)	mm	59 x 45 x 22	
	Supply Voltage	V	5	
	Measure	-	PM1.0 / PM2.5 / PM10	
HVPS	Size (W x H x D)	mm	99 X 50 X 30	
	Input	-	DC 12V	
	Output (Electrification / Dust Collection)	-	-7.7kV / -5.2kV	
PM1.0 Filter	Size (W x H x D)	mm	524 x 18 x 141	
	Weight	g	430	
Deodorization filter	Material	-	Pulp + Carbon (Corrugate)	
	Size (W x H x D)	mm	301 x 11 x 100	
	Weight	g	40	
Ionizer	Size (W x H x D)	mm	71 x 19 x 30	
	Input	-	DC 12V	
	Output	-	-3.2kV	
	Amount of Ion emission	EA/cc	3,000,000	

Specification		Unit	4way Cassette	
			TP-B / TM-A	
Air Purification Kit Model		-	PTAHMP0	
Air Purification Panel		-	PT-AFGW0 (Dual Vane)	
PM1.0 Sensor	Size (W x H x D)	mm	59 x 45 x 22	
	Supply Voltage	V	5	
	Measure	-	PM1.0 / PM2.5 / PM10	
HVPS	Size (W x H x D)	mm	99 X 50 X 30	
	Input	-	DC 12V	
	Output (Electrification / Dust Collection)	-	-7.7kV / -5.2kV	
PM1.0 Filter	Size (W x H x D)	mm	500 x 38 x 395	
	Weight	g	2,090	
Deodorization filter	Material	-	Pulp + Carbon (Corrugate)	
	Size (W x H x D)	mm	478 x 14 x 138	
	Weight	g	180	
Ionizer	Size (W x H x D)	mm	71 x 19 x 30	
	Input	-	DC 12V	
	Output	-	-3.2kV	
	Amount of Ion emission	EA/cc	3,000,000	



# 1. Specification

Specification		Unit	Round Cassette
			TY
Air Purification Kit Model		-	PTAHYP0
Air Purification Panel		-	-
PM1.0 Sensor	Size (W x H x D)	mm	59 x 45 x 16.6
	Supply Voltage	V	5
	Measure	-	PM1.0 / PM2.5 / PM10
HVPS	Size (W x H x D)	mm	99 X 50 X 30
	Input	-	DC 12V
	Output (Electrification / Dust Collection)	-	-7.7kV / -5.2kV
PM1.0 Filter	Size (W x H x D)	mm	500 x 38 x 395
	Weight	g	2,090
Deodorization filter	Material	-	Pulp + Carbon (Corrugate)
	Size (W x H x D)	mm	478 X 14 x 138
	Weight	g	180
Ionizer	Size (W x H x D)	mm	-
	Input	-	-
	Output	-	-
	Amount of Ion emission	EA/cc	-

# ACCESSORY

## **UVnano Filter Box**

**1.Specification**

**2.Dimensions**

**3.External Static Pressure(E.S.P) & Air Flow**

# 1. Specification

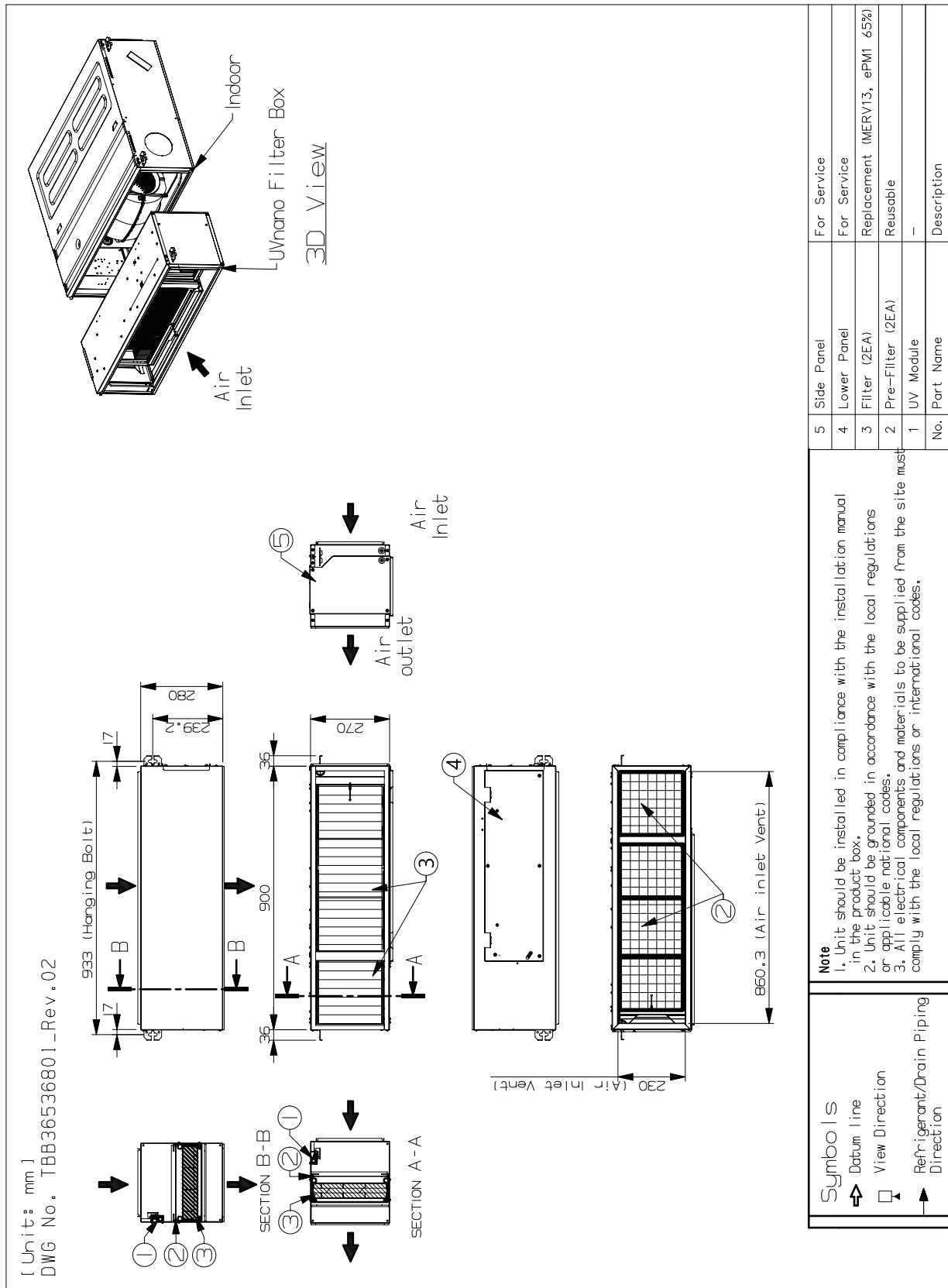
Model		Unit	PBM13M1UA0	PBM13M2UA0	PBM13M3UA0
Applied Chassis			M1	M2	M3
Net Size (W x H x D)		mm	900 x 270 x 280	1,250 x 270 x 280	1,250 x 360 x 280
Shipping Size (W x H x D)		mm	1,048 x 340 x 377	1,440 x 340 x 377	1,440 x 430 x 377
Net Weight		kg	9.1	11.6	12.7
Shipping Weight		kg	11.4	14.7	16.2
Filter (1)	Size(W x H x D)	mm	600 x 251 x 50.8	600 x 251 x 50.8	600 x 341 x 50.8
	Quantity	EA	1	2	2
	Grade 1	-	ePM1 65%	ePM1 65%	ePM1 65%
	Grade 2	-	MERV 13	MERV 13	MERV 13
Filter (2)	Size(W x H x D)	mm	250 x 251 x 50.8	-	-
	Quantity	EA	1	-	-
	Grade 1	-	ePM1 65%	-	-
	Grade 2	-	MERV 13	-	-
Pre-Filter (1)	Size(W x H x D)	mm	596 x 247 x 4	596 x 247 x 4	596 x 377 x 4
	Mesh	-	34 x 39	34 x 39	34 x 39
	Color	-	BLACK	BLACK	BLACK
	Quantity	-	1	2	2
Pre-Filter (2)	Size(W x H x D)	mm	247 x 247 x 4	-	-
	Mesh	-	34 x 39	-	-
	Color	-	BLACK	-	-
	Quantity	EA	1	-	-
UVnano	LED Quantity	EA	8	8	8
	Input	V	DC 12V	DC 12V	DC 12V
	Wavelength	nm	275	275	275

**Note**

1. Grade 1 : ISO EN 16890
2. Grade 2 : ASHRAE 52.2

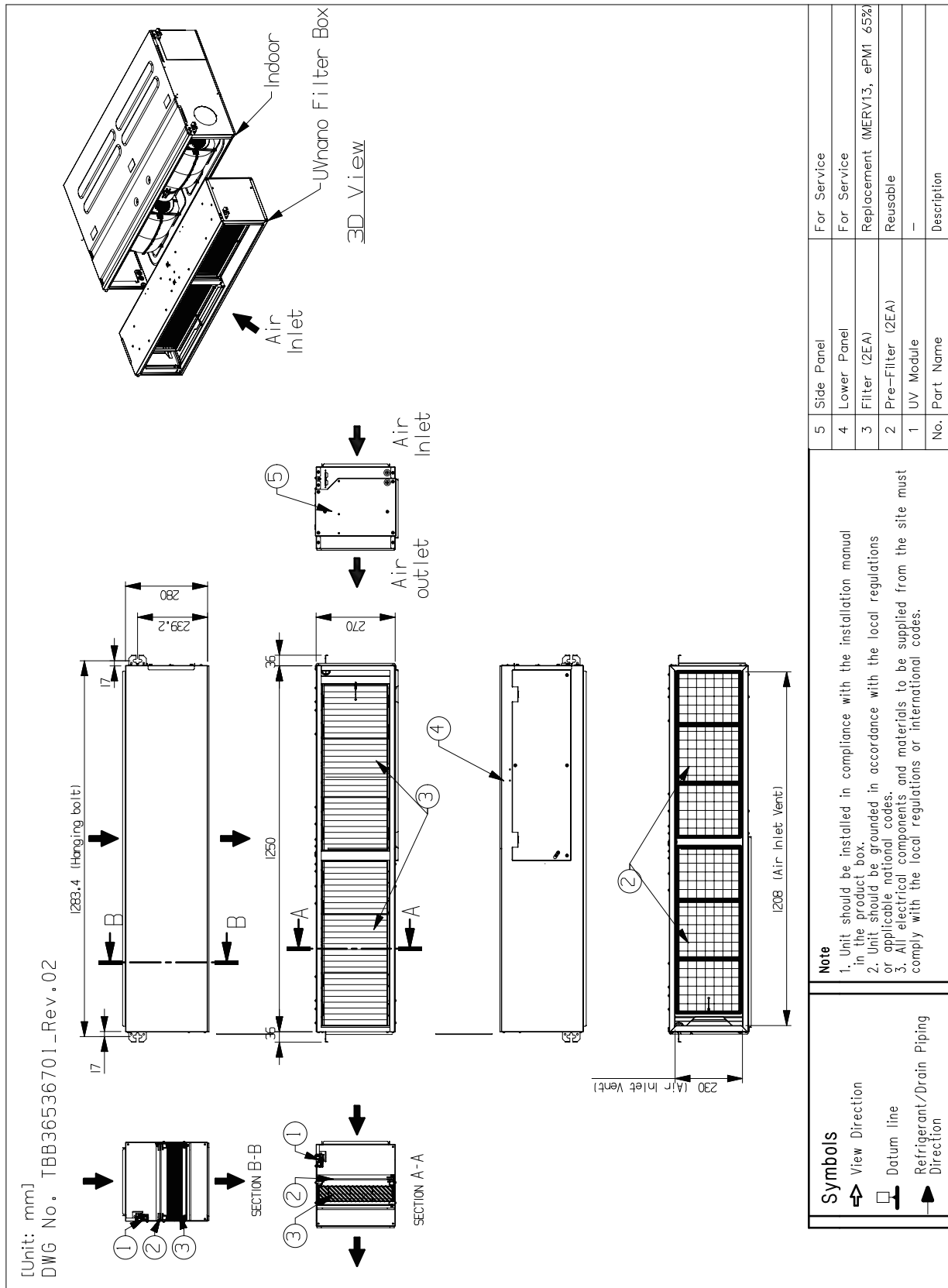
## 2. Dimensions

### ◆ PBM13M1UA0



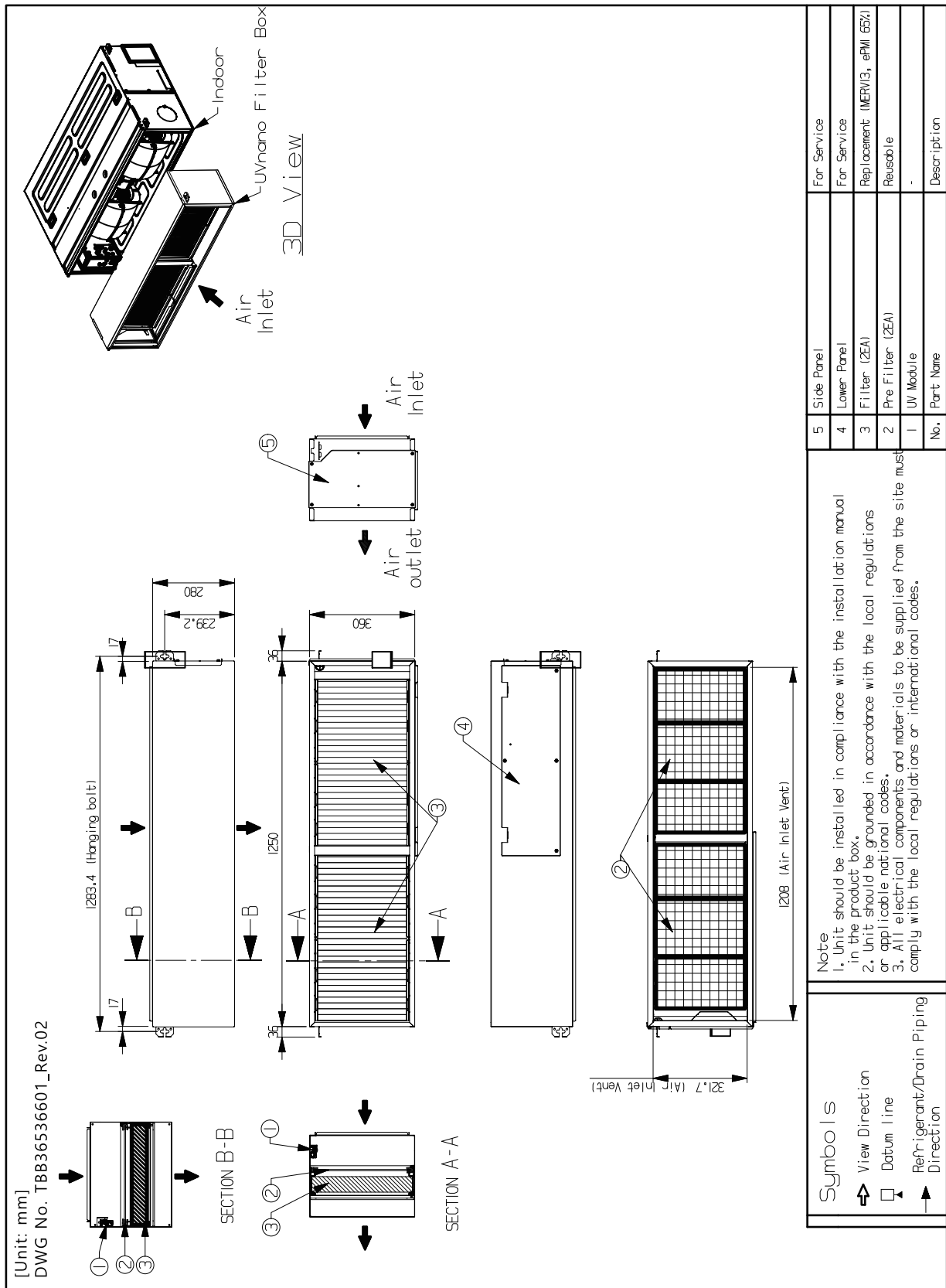
# 2. Dimensions

## ◆ PBM13M2UA0



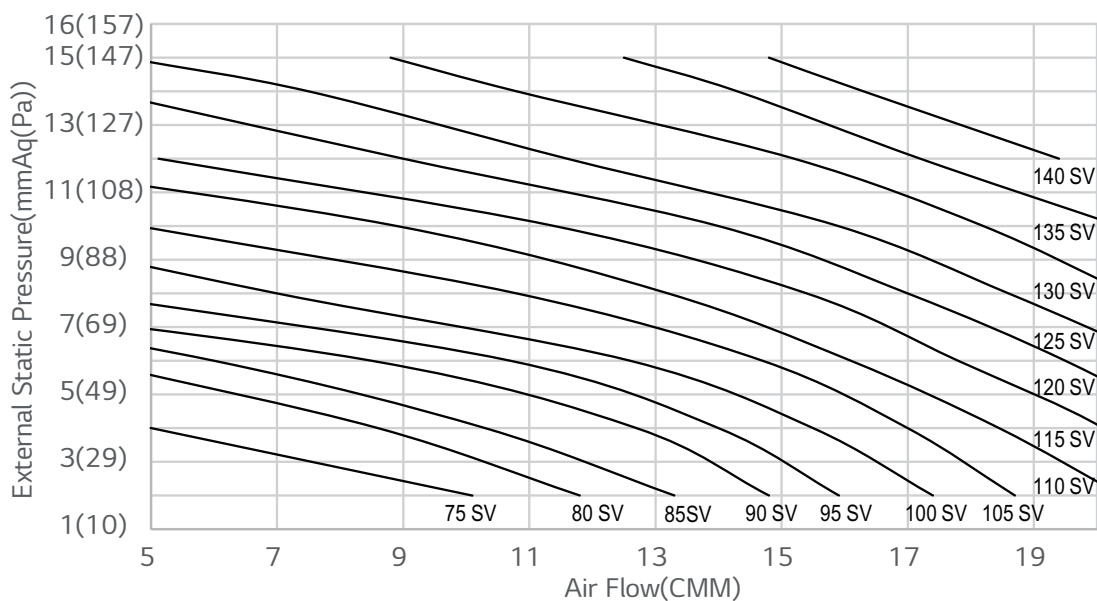
# 2. Dimensions

## ◆ PBM13M3UA0



### 3. External Static Pressure(E.S.P) & Air Flow

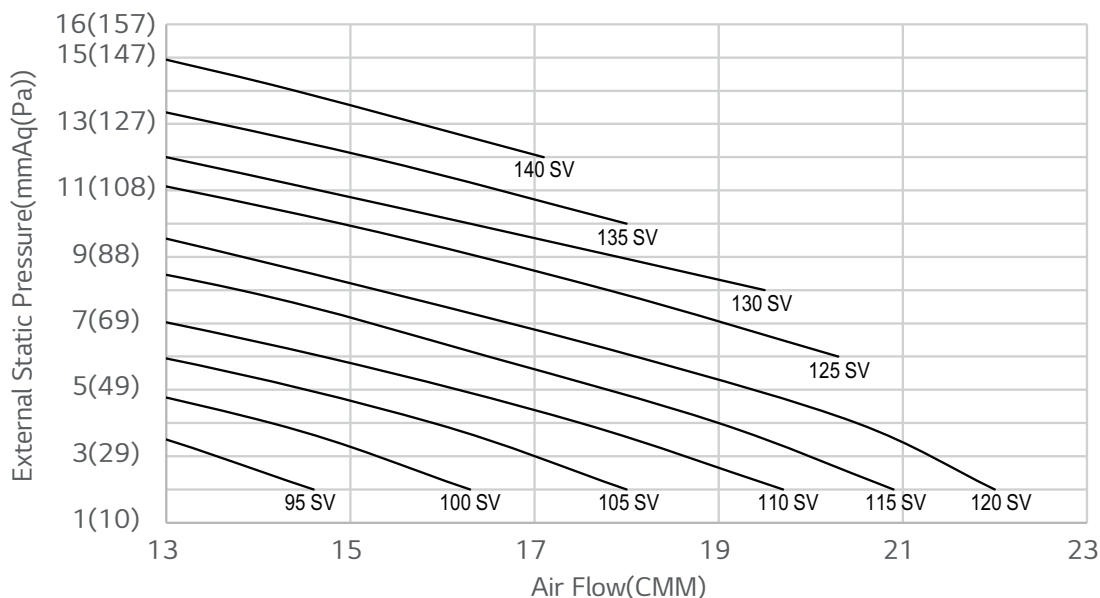
◆ M1 Chassis (18~24 kBtu/h)



**Note**

1. SV : Setting Value
2. The available range of External Static Pressure and Setting Value depends on the applied model. Please check the specifications of the applied model.
3. Auto E.S.P Setting is also available with UVnano Filter Box.

◆ M1 Chassis (30 kBtu/h)

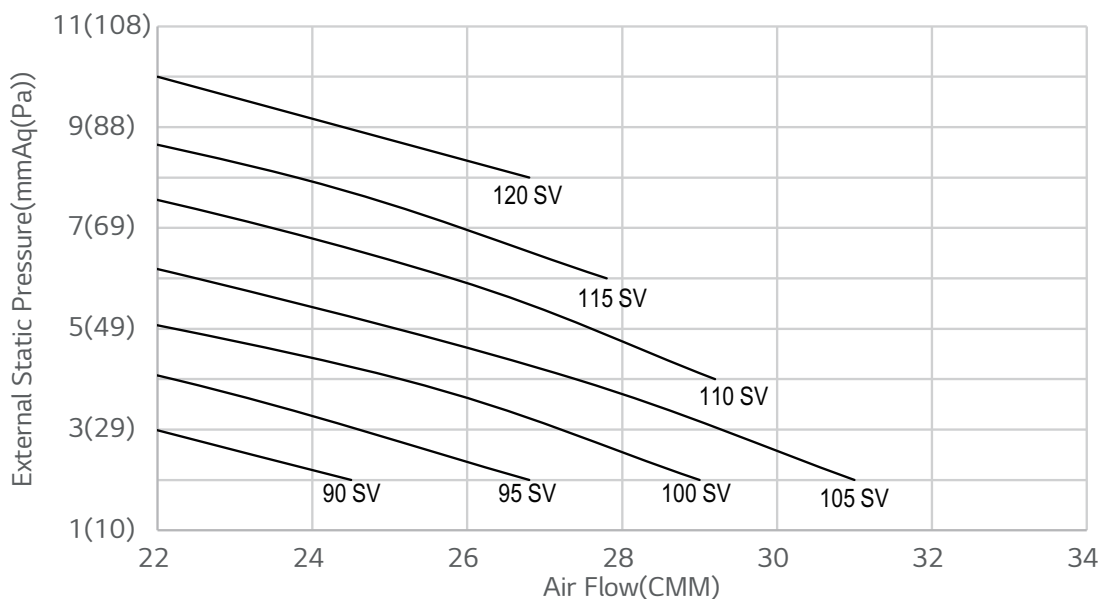


**Note**

1. SV : Setting Value
2. The available range of External Static Pressure and Setting Value depends on the applied model. Please check the specifications of the applied model.
3. Auto E.S.P Setting is also available with UVnano Filter Box.

### 3. External Static Pressure(E.S.P) & Air Flow

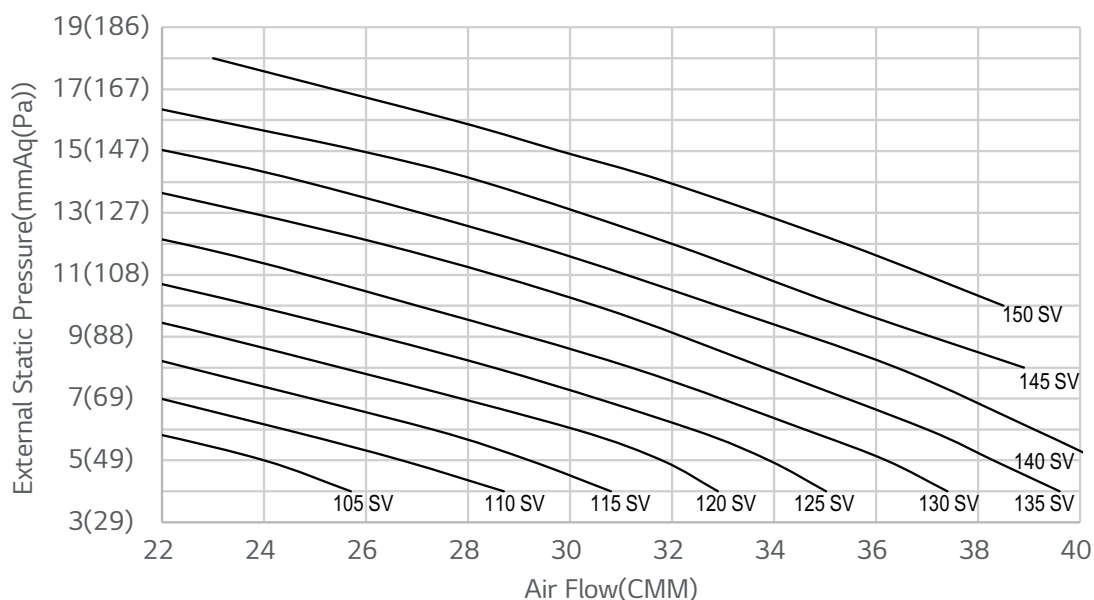
◆ M2 Chassis (30 kBTu/h)



**Note**

1. SV : Setting Value
2. The available range of External Static Pressure and Setting Value depends on the applied model. Please check the specifications of the applied model.
3. Auto E.S.P Setting is also available with UVnano Filter Box.
4. This PQ Curve is for ABN\*30GM2\*\* only.

◆ M2 Chassis (36~42 kBTu/h)



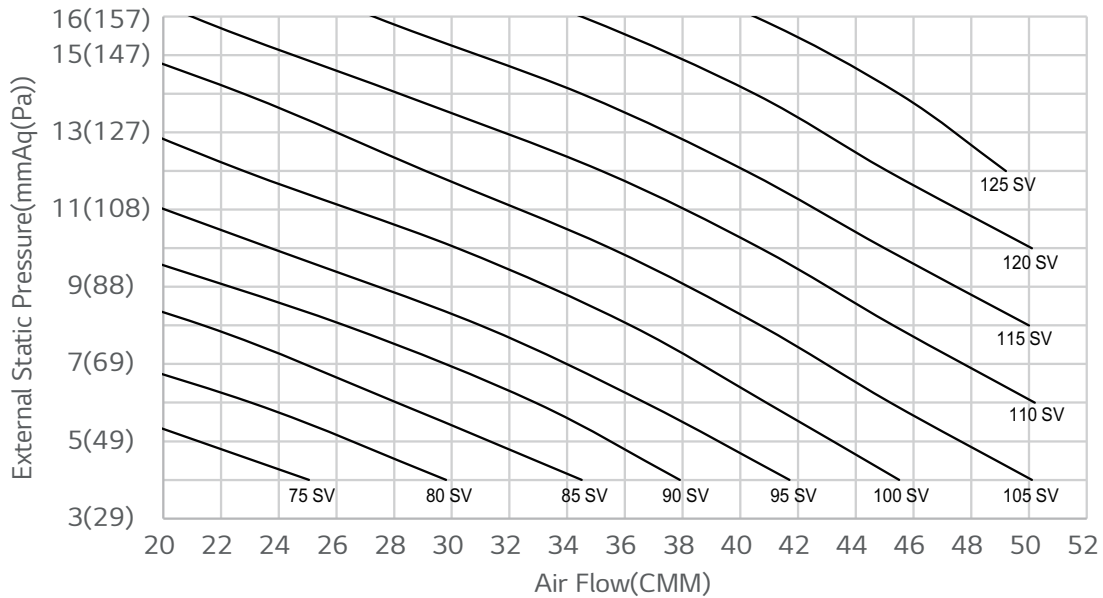
**Note**

1. SV : Setting Value
2. The available range of External Static Pressure and Setting Value depends on the applied model. Please check the specifications of the applied model.
3. Auto E.S.P Setting is also available with UVnano Filter Box.



### 3. External Static Pressure(E.S.P) & Air Flow

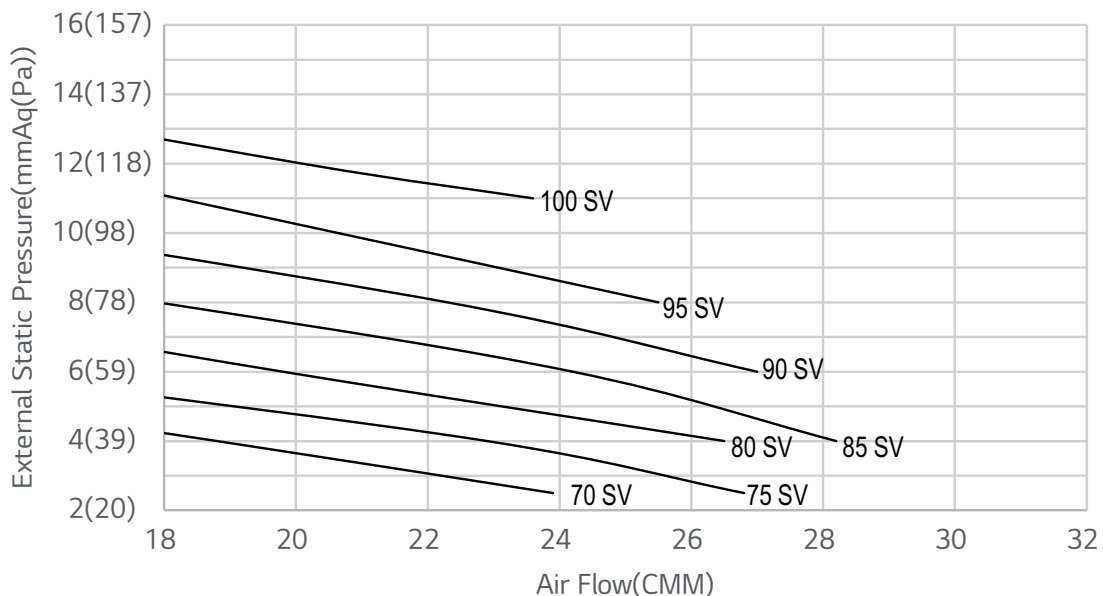
#### ◆ M3 Chassis (36~60 kBtu/h)



#### Note

1. SV : Setting Value
2. The available range of External Static Pressure and Setting Value depends on the applied model. Please check the specifications of the applied model.
3. Auto E.S.P Setting is also available with UVnano Filter Box.

#### ◆ M3 Chassis (36 kBtu/h)



#### Note

1. SV : Setting Value
2. The available range of External Static Pressure and Setting Value depends on the applied model. Please check the specifications of the applied model.
3. Auto E.S.P Setting is also available with UVnano Filter Box.
4. This PQ Curve is for ABN\*36GM3\*\* only.



**Air Solution**

LG Electronics Inc, 128, Yeoui-daero,  
Yeongdeungpo-gu, Seoul, Korea  
(07336)  
<http://partner.lge.com>

Copyright © 2018-2022 LG Electronics Inc.  
All Rights Reserved.  
Printed in Korea July / 2022

The air conditioners manufactured by LG have received ISO9001 certificate for quality assurance and ISO14001 certificate for environmental management system.  
The specifications, designs, and information in this brochure are subject to change without notice.