

LG

MULTI

R32 Heat Pump (50Hz)
5CIM5-02B (Replaces 5CIM5-02A)

TOTAL HVAC SOLUTION PROVIDER

ENGINEERING PRODUCT DATA BOOK

MULTI

Outdoor Unit

General information

Product data

Multiple piping type

Installation of Outdoor Units

MULTI

Outdoor Unit

General information


1. Model Line Up


2. Nomenclature


3. Indoor Unit and Outdoor Unit Capacity Index

1. Model line up

■ Multiple piping type (1 phase)

Nominal Capacity(kW)		4.1	4.7
Model Name		Z2UW14GFA0 [MU2R15 UL0]	Z2UW16GFA0 [MU2R17 UL0]
No.of connectable indoor units		Max.2	
Total capacity index of connectable indoor units	kBtu/h	21	24
Power supply		220-240V, 1Ø, 50Hz	
Chassis			

Nominal Capacity(kW)		5.3	6.2	7.0
Model Name		Z3UW18GFA1 [MU3R19 U21]	Z3UW21GFA1 [MU3R21 U21]	Z4UW24GFA1 [MU4R25 U21]
No.of connectable indoor units		Max.3		Max.4
Total capacity index of connectable indoor units	kBtu/h	30	33	39
Power supply		220-240V, 1Ø, 50Hz		
Chassis				

Nominal Capacity(kW)		7.9	8.8
Model Name		Z4UW27GFA0 [MU4R27 U40]	Z5UW30GFA0 [MU5R30 U40]
No.of connectable indoor units		Max.4	Max.5
Total capacity index of connectable indoor units	kBtu/h	41	48
Power supply		220-240V, 1Ø, 50Hz	
Chassis			

2. Nomenclature

2.1 Outdoor unit(Factory Model Name)

Model Name	Z5U	W	30	G	F	A	0
No.	1	2	3	4	5	6	7

No.	Signification
1	Indicates that this is multi system outdoor unit using R32 Ex) Z5U : Connectable max. 5 indoor units
2	Model type W : DC inverter heat pump
3	Cooling/heating capacity Ex) 24,000 Btu/h Class → '24', 30,000 Btu/h Class → '30'
4	Electrical rating G : 220-240V, 1Ø, 50Hz L : 380-415V, 3Ø, 50Hz
5	Multi type F : Free joint multi type
6	Function A : Basic
7	Serial number

2.2 Outdoor unit(Buyer Model Name)

■ MULTI F

Model Name	MU5	R	30	U4	0
No.	1	2	3	4	5

No.	Signification
1	Indicates that this is multi system outdoor unit Ex) MU3 : Connectable max. 3 indoor units MU5 : Connectable max. 5 indoor units
2	Product Type R : Multi system outdoor unit using R32
3	Cooling/heating capacity Ex) 24,000 Btu/h Class → '24', 30,000 Btu/h Class → '30'
4	Outdoor unit chassis name
5	Serial number

3. Indoor Unit and Outdoor Unit Capacity Index

3.1 Selection procedure

■ Outdoor units selection

In general, outdoor unit may be selected as follows, though the location of the unit, and usage of the room, etc. should be considered.

The combination of indoor and outdoor unit was to be decided that the sum of indoor unit capacity index should be smaller than the max. combination capacity of outdoor unit. Many indoor units can be connected to one outdoor unit. It is recommended to choose a large capacity outdoor unit if the installation space is large enough.

◆ Outdoor Unit Information

Nominal Capacity(kW)		4.1	4.7	5.3	6.2
Global model name [Europe model name]		Z2UW14GFA0 [MU2R15 UL0]	Z2UW16GFA0 [MU2R17 UL0]	Z3UW18GFA1 [MU3R19 U21]	Z3UW21GFA1 [MU3R21 U21]
Rated capacity (kW)	Cooling	4.10	4.69	5.28	6.15
	Heating	4.69	5.28	6.33	7.03
Connectable indoor units	Number of indoor units	Max. 2 Units	Max. 2 Units	Max. 3 Units	Max. 3 Units
	Maximum Total Capacity Index (kBtu/h)	21	24	30	33

Nominal Capacity(kW)		7.0	7.9	8.8
Global model name [Europe model name]		Z4UW24GFA1 [MU4R25 U21]	Z4UW27GFA0 [MU4R27 U40]	Z5UW30GFA0 [MU5R30 U40]
Rated capacity (kW)	Cooling	7.03	7.91	8.79
	Heating	8.09	9.09	10.1
Connectable indoor units	Number of indoor units	Max. 4 Units	Max. 4 Units	Max. 5 Units
	Maximum Total Capacity Index (kBtu/h)	39	41	48

■ Indoor units selection

Look up the table on combination of indoor and outdoor unit, and determine the appropriate indoor unit capacity which satisfies the given thermal load.

For proper system operation, refer to the following:

1. At least 2 indoor units should be connected to outdoor unit.
2. Total capacity of indoor units connected should be minimum 40% of outdoor unit rated capacity.
3. Calculation method for the connectable total capacity of indoor unit sum up the capacity of indoor unit, but high static duct type indoor unit capacity weights 1.3 times.

Indoor Unit Model Name	-05G-	-07G-	-09G-	-12G-	-15G-	-18G-	-24G-
Capacity Index (kBtu/h)	5	7	9	12	15	18	24

3. Indoor Unit and Outdoor Unit Capacity Index

3.2 Combination of indoor and outdoor unit

The total capacity index of indoor units is the sum of capacity index of each units and should be within the capacity index of the outdoor unit.

Nominal Capacity of Outdoor Unit		MULTI F			
		4.1 kW	4.7 kW	5.3 kW 6.2 kW	7.0 kW / 7.9 kW 8.8 kW
Indoor Unit Type	Indoor Unit Capacity Index (kBtu/h)	Connectable Indoor Units			
Wall mounted (Deluxe)	7	0	0	0	0
	9	0	0	0	0
	12	0	0	0	0
	18	-	-	0	0
	24	-	-	-	0
Wall mounted (Standard Plus)	5	0	0	0	0
	7	0	0	0	0
	9	0	0	0	0
	12	0	0	0	0
	15	-	0	0	0
	18	-	-	0	0
Wall mounted (Standard)	7	0	0	0	0
	9	0	0	0	0
	12	0	0	0	0
	18	-	-	0	0
	24	-	-	-	0
ARTCOOL Mirror	7	0	0	0	0
	9	0	0	0	0
	12	0	0	0	0
	18	-	-	0	0
	24	-	-	-	0
ARTCOOL Gallery	9	0	0	0	0
	12	0	0	0	0
ARTCOOL Silver	9	0	0	0	0
	12	0	0	0	0
	18	-	-	0	0
Ceiling Mounted Cassette (1-way)	9	0	0	0	0
	12	0	0	0	0
Ceiling Mounted Cassette (4-way)	5	0	0	0	0
	7	0	0	0	0
	9	0	0	0	0
	12	0	0	0	0
	18	-	-	0	0
Ceiling Mounted Cassette (Dual Vane 4-Way)	24	-	-	-	0
	24	-	-	-	0
Ceiling Concealed Duct (Middle Static Pressure)	18	-	-	0	0
	24	-	-	-	0
Ceiling Concealed Duct (Low Static Pressure)	9	0	0	0	0
	12	0	0	0	0
	18	-	-	0	0
	24	-	-	-	0

MULTI

Outdoor Unit

Product data

Multiple piping type

MULTI

Outdoor Unit

Multiple piping type

- 1.List of Functions**
- 2.Specifications**
- 3.Dimensions**
- 4.Combination Table**
- 5.Capacity Tables**
- 6.Capacity Correction Factor**
- 7.Electrical Characteristics**
- 8.Operation Range**
- 9.Piping Diagrams**
- 10.Wiring Diagrams**
- 11.Sound Levels**

1. List of functions

◆ Basic functions of Outdoor Unit

Category	Functions	Z2UW14GFA0 [MU2R15 UL0] Z2UW16GFA0 [MU2R17 UL0]
Reliability	Defrost / Deicing	O
	High pressure switch	O
	Low pressure switch	X
	Phase protection	X
	Restart delay (3-minutes)	O
	Self diagnosis	O
	Soft start	O
Convenience	Test function	O
	Night Low Noise Operation	O
	Wiring Error Check	O
	Peak Control	O
	Mode Lock	O
	Forced Cooling Operation (Outdoor Unit)	O
Network function	Network solution(LGAP)	X
ODU Dry Contact (On/off control only)		X

Note

1. O : Applied, X : Not applied

Accessory : Ordered and purchased separately the accessory package referring to the model name provided and install at field.

Accessory line-ups varies by region, so check your local catalogue or local sales material.

◆ Accessory Compatibility List

Category	Product	Etc	Z2UW14GFA0 [MU2R15 UL0] Z2UW16GFA0 [MU2R17 UL0]	
Central Controller	Simple	PQCSZ250S0	AC EZ	X
	AC Ez Touch	PACEZA000	AC Ez Touch	X
	AC Smart	PACS5A000	AC Smart 5	X
	ACP	PACP5A000	ACP 5	X
	AC Manager ²⁾	PACM5A000	AC Manager 5	X
Gateway	ODU PI485	PMNFP14A1	PI 485 Gateway	X
	BACnet	PQNFB17C0	ACP BACnet	X
	Lonworks	PLNWKB000	ACP Lonworks	X
ETC	PDI	PPWRDB000	PDI Standard	X
		PQNUD1S40	PDI Premium	X

Note

1. O: Possible, X: Impossible, -: Not applicable

2. *: Some advanced functions controlled by individual controller cannot be operated.

3. ²⁾: ACP or AC Smart is needed.

4. Compatibility of individual controller(wireless/wired remote controller) could be found with function list on Indoor Unit's PDB.

5. If you need more detail, please refer to the **BECON** PDB or the manual of product.

(<http://partner.lge.com/global> : Home> Doc.Library> Product > Control(BECON))

1. List of functions

◆ Basic functions of Outdoor Unit

Category	Functions	Z3UW18GFA1 [MU3R19 U21] Z3UW21GFA1 [MU3R21 U21] Z4UW24GFA1 [MU4R25 U21]
Reliability	Defrost / Deicing	O
	High pressure switch	O
	Low pressure switch	X
	Phase protection	X
	Restart delay (3-minutes)	O
	Self diagnosis	O
	Soft start	O
Convenience	Test function	O
	Night Low Noise Operation	O
	Wiring Error Check	O
	Peak Control	O
	Mode Lock	O
	Forced Cooling Operation (Outdoor Unit)	O
	SLC (Smart Load Control)	X
Network function	Network solution(LGAP)	O
ODU Dry Contact (On/off control only)		X

Note

1. O : Applied, X : Not applied

Accessory : Ordered and purchased separately the accessory package referring to the model name provided and install at field.

Accessory line-ups varies by region, so check your local catalogue or local sales material.

◆ Basic functions of Outdoor Unit

Category	Functions	Z4UW27GFA0 [MU4R27 U40] Z5UW30GFA0 [MU5R30 U40]
Reliability	Defrost / Deicing	O
	High pressure switch	O
	Low pressure switch	X
	Phase protection	X
	Restart delay (3-minutes)	O
	Self diagnosis	O
	Soft start	O
Convenience	Test function	O
	Night Low Noise Operation	O
	Wiring Error Check	O
	Peak Control	O
	Mode Lock	O
	Forced Cooling Operation (Outdoor Unit)	O
	SLC (Smart Load Control)	O
Network function	Network solution(LGAP)	O
ODU Dry Contact (On/off control only)		X

Note

1. O : Applied, X : Not applied

Accessory : Ordered and purchased separately the accessory package referring to the model name provided and install at field.

Accessory line-ups varies by region, so check your local catalogue or local sales material.

1. List of functions

◆ Accessory Compatibility List

Category		Product	Etc	Z3UW18GFA1 [MU3R19 U21] Z3UW21GFA1 [MU3R21 U21] Z4UW24GFA1 [MU4R25 U21] Z4UW27GFA0 [MU4R27 U40] Z5UW30GFA0 [MU5R30 U40]
Central Controller	Simple	PQCSZ250S0	AC EZ	○
	AC Ez Touch	PACEZA000	AC Ez Touch	○
	AC Smart	PACS5A000	AC Smart 5	○
	ACP	PACP5A000	ACP 5	○
	AC Manager ²⁾	PACM5A000	AC Manager 5	○
Gateway	ODU PI485	PMNFP14A1	PI 485 Gateway	○
	BACnet	PQNFB17C0	ACP BACnet	○
	Lonworks	PLNWKB000	ACP Lonworks	○
ETC	PDI	PPWRDB000	PDI Standard	○
		PQNUD1S40	PDI Premium	○

Note

1. O: Possible, X: Impossible, -: Not applicable
2. * : Some advanced functions controlled by individual controller cannot be operated.
3. ²⁾ : ACP or AC Smart is needed.
4. Compatibility of individual controller(wireless/wired remote controller) could be found with function list on Indoor Unit's PDB.
5. If you need more detail, please refer to the **BECON** PDB or the manual of product.
(<http://partner.lge.com/global> : Home> Doc.Library> Product > Control(BECON))

2. Specifications

Global Model Names [Europe Model Names]			Z2UW14GFA0 [MU2R15 UL0]	Z2UW16GFA0 [MU2R17 UL0]	
Combination Limit	Sum of Indoor Units Capacity		kBtu/h	21	24
	Number of Indoor Units		EA	2	2
	Number of BD Units		EA	-	-
Cooling Capacity*	Min.~Rated~Max.		kW	0.88 ~ 4.10 ~ 4.72	0.88 ~ 4.69 ~ 5.39
	Min.~Rated~Max.		Btu/h	3,000 ~ 14,000 ~ 16,100	3,000 ~ 16,000 ~ 18,400
Heating Capacity*	Min.~Rated~Max.		kW	0.97 ~ 4.69 ~ 5.39	0.97 ~ 5.28 ~ 5.69
	Min.~Rated~Max.		Btu/h	3,300 ~ 16,000 ~ 18,400	3,300 ~ 18,000 ~ 19,400
Power Input	Cooling*	Min.~Rated~Max.	kW	0.23 ~ 0.99 ~ 1.38	0.23 ~ 1.25 ~ 1.70
	Heating*	Min.~Rated~Max.	kW	0.24 ~ 1.07 ~ 1.43	0.24 ~ 1.25 ~ 1.63
P design C / P design H			-	4.1 / 4.1	4.7 / 4.1
SEER / SCOP			Wh/Wh	8.50 / 4.20	7.80 / 4.20
Seasonal Energy Label (A+++ to D Scale)		Cooling / Heating	-	A+++ / A+	A++ / A+
Annual Energy Consumption		Cooling / Heating	kWh	169 / 1,367	210 / 1,367
Power Supply			V, Ø, Hz	220-240, 1, 50	220-240, 1, 50
Running Current	Cooling*	Min.~Rated~Max.	A	1.1 ~ 4.6 ~ 6.4	1.1 ~ 5.6 ~ 7.9
	Heating*	Min.~Rated~Max.	A	1.1 ~ 4.9 ~ 6.6	1.1 ~ 5.5 ~ 7.6
Power Factor		Rated	-	0.94	0.94
Power Supply Cable (included Earth)			No. × mm ²	3C × 2.5	3C × 2.5
Casing Color			-	Pigeon Gray	Pigeon Gray
Dimensions	Net	W × H × D	mm	770 × 545 × 288	770 × 545 × 288
Weight	Net		kg	35.9	35.9
Compressor	Type		-	Twin Rotary	Twin Rotary
	Model		Model × No.	DAT156MA × 1	DAT156MA × 1
	Motor type		-	BLDC	BLDC
	Motor Output		W × No.	1,500 (at 60Hz) × 1	1,500 (at 60Hz) × 1
Refrigerant	Type		-	R32	R32
	GWP (Global Warming Potential)		-	675	675
	Precharged Amount		g	1,100	1,100
	t-CO ₂ eq.		-	0.743	0.743
	Control		-	Electronic Expansion Valve	Electronic Expansion Valve
	Chargeless-Pipe Length		m	15	15
Additional Charging Volume			g/m	20	20
Refrigerant Oil	Type		-	FW68D	FW68D
	Charged volume		cc × No.	400 × 1	400 × 1
Heat Exchanger			(Row×Column×Fins per inch) × No.	(2 × 24 × 14) × 1	(2 × 24 × 14) × 1
Fan	Type		-	Propeller	Propeller
	Air Flow Rate	Rated	m ³ /min × No.	28.2 × 1	28.2 × 1
Fan Motor	Type		-	BLDC	BLDC
	Output		W × No.	43 × 1	43 × 1
Sound Pressure Level	Cooling/Heating (Rated)		dB(A)	48 / 51	48 / 51
Sound Power Level	Cooling (Rated)		dB(A)	61	63
Piping Connections	Liquid	Outer Dia. × No.	mm(inch)	Ø 6.35(1/4) × 2	Ø 6.35(1/4) × 2
	Gas	Outer Dia. × No.	mm(inch)	Ø 9.52(3/8) × 2	Ø 9.52(3/8) × 2
Piping Length	Total Piping	Max.	m	30	30
	Each Branch	Standard	m	7.5	7.5
		Max.	m	20	20
Maximum Height Difference	ODU~IDU	Max.	m	15	15
	IDU~IDU	Max.	m	7.5	7.5

Note

- Due to our policy of innovation some specifications may be changed without notification.
- Wiring cable size must comply with the applicable local and national codes. And "Electric characteristics" chapter should be considered for electrical work and design. Especially the power cable and circuit breaker should be selected in accordance with that.
- Power factor could vary less than ±1% according to the operating conditions.
- Sound pressure level is measured on the rated condition in the anechoic rooms by ISO 3745 standard.
Sound power level is measured on the rated condition in the reverberation rooms by ISO 3741 standard.
Therefore, these values can be increased owing to ambient conditions during operation.
- Performances are based on the following conditions :
 - *Cooling : Indoor Ambient Temp. 27°CDB / 19°CWB, Outdoor Ambient Temp. 35°CDB / 24°CWB
 - *Heating : Indoor Ambient Temp. 20°CDB / 15°CWB, Outdoor Ambient Temp. 7°CDB / 6°CWB
 - Interconnected Pipe is standard length and difference of Elevation (Outdoor ~ Indoor Unit) is 0m.
- This product contains Fluorinated greenhouse gases.

2. Specifications

Global Model Names [Europe Model Names]				Z3UW18GFA1 [MU3R19 U21]	Z3UW21GFA1 [MU3R21 U21]
Combination Limit	Sum of Indoor Units Capacity		kBtu/h	30	33
	Number of Indoor Units		EA	3	3
	Number of BD Units		EA	-	-
Cooling Capacity*	Min.~Rated~Max.		kW	1.06 ~ 5.28 ~ 6.33	1.06 ~ 6.15 ~ 7.33
	Min.~Rated~Max.		Btu/h	3,600 ~ 18,000 ~ 21,600	3,600 ~ 21,000 ~ 25,000
Heating Capacity*	Min.~Rated~Max.		kW	1.17 ~ 6.33 ~ 7.33	1.17 ~ 7.03 ~ 7.80
	Min.~Rated~Max.		Btu/h	4,000 ~ 21,600 ~ 25,000	4,000 ~ 24,000 ~ 26,600
Power Input	Cooling*	Min.~Rated~Max.	kW	0.29 ~ 1.11 ~ 2.04	0.29 ~ 1.44 ~ 2.45
	Heating*	Min.~Rated~Max.	kW	0.28 ~ 1.27 ~ 2.04	0.28 ~ 1.53 ~ 2.38
P design C / P design H			-	5.3 / 5.2	6.2 / 5.2
SEER / SCOP			Wh/Wh	8.50 / 4.40	8.50 / 4.40
Seasonal Energy Label (A+++ to D Scale)		Cooling / Heating	-	A+++ / A+	A+++ / A+
Annual Energy Consumption		Cooling / Heating	kWh	217 / 1,655	253 / 1,655
Power Supply			V, Ø, Hz	220-240, 1, 50	220-240, 1, 50
Running Current	Cooling*	Min.~Rated~Max.	A	1.3 ~ 5.0 ~ 9.2	1.3 ~ 6.5 ~ 11.1
	Heating*	Min.~Rated~Max.	A	1.3 ~ 5.7 ~ 9.2	1.3 ~ 6.9 ~ 10.8
Power Factor		Rated	-	0.96	0.96
Power Supply Cable (included Earth)			No. × mm ²	3C × 2.5	3C × 2.5
Casing Color			-	Warm Gray	Warm Gray
Dimensions	Net	W × H × D	mm	870 × 650 × 330	870 × 650 × 330
Weight		Net	kg	46.0	46.0
Compressor	Type		-	Twin Rotary	Twin Rotary
	Model		Model × No.	DKT208MA × 1	DKT208MA × 1
	Motor type		-	BLDC	BLDC
	Motor Output		W × No.	1,500 (at 60Hz) × 1	1,500 (at 60Hz) × 1
Refrigerant	Type		-	R32	R32
	GWP (Global Warming Potential)		-	675	675
	Precharged Amount		g	1,400	1,400
	t-CO ₂ eq.		-	0.945	0.945
	Control		-	Electronic Expansion Valve	Electronic Expansion Valve
	Chargeless-Pipe Length		m	22.5	22.5
Additional Charging Volume		g/m	20	20	
Refrigerant Oil	Type		-	FW68D	FW68D
	Charged volume		cc × No.	670 × 1	670 × 1
Heat Exchanger			(Row×Column×Fins per inch) × No.	(2 × 28 × 14) × 1	(2 × 28 × 14) × 1
Fan	Type		-	Propeller	Propeller
	Air Flow Rate		m ³ /min × No.	50 × 1	50 × 1
Fan Motor	Type		-	BLDC	BLDC
	Output		W × No.	85.4 × 1	85.4 × 1
Sound Pressure Level	Cooling/Heating (Rated)		dB(A)	48 / 53	49 / 54
Sound Power Level	Cooling (Rated)		dB(A)	63	64
Piping Connections	Liquid	Outer Dia. × No.	mm(inch)	Ø 6.35 (1/4) × 3	Ø 6.35 (1/4) × 3
	Gas	Outer Dia. × No.	mm(inch)	Ø 9.52 (3/8) × 3	Ø 9.52 (3/8) × 3
Piping Length	Total Piping	Max.	m	50	50
	Each Branch	Standard	m	7.5	7.5
		Max.	m	25	25
Maximum Height Difference	ODU~IDU	Max.	m	15	15
	IDU~IDU	Max.	m	7.5	7.5

Note

- Due to our policy of innovation some specifications may be changed without notification.
- Wiring cable size must comply with the applicable local and national codes. And "Electric characteristics" chapter should be considered for electrical work and design. Especially the power cable and circuit breaker should be selected in accordance with that.
- Power factor could vary less than ±1% according to the operating conditions.
- Sound pressure level is measured on the rated condition in the anechoic rooms by ISO 3745 standard.
Sound power level is measured on the rated condition in the reverberation rooms by ISO 3741 standard.
Therefore, these values can be increased owing to ambient conditions during operation.
- Performances are based on the following conditions :
 - *Cooling : Indoor Ambient Temp. 27°CDB / 19°CWB, Outdoor Ambient Temp. 35°CDB / 24°CWB
 - *Heating : Indoor Ambient Temp. 20°CDB / 15°CWB, Outdoor Ambient Temp. 7°CDB / 6°CWB
 - Interconnected Pipe is standard length and difference of Elevation (Outdoor ~ Indoor Unit) is 0m.
- This product contains Fluorinated greenhouse gases.

2. Specifications

Global Model Names [Europe Model Names]				Z4UW24GFA1 [MU4R25 U21]	Z4UW27GFA0 [MU4R27 U40]
Combination Limit	Sum of Indoor Units Capacity		kBtu/h	39	41
	Number of Indoor Units		EA	4	4
	Number of BD Units		EA	-	-
Cooling Capacity*	Min.~Rated~Max.		kW	1.06 ~ 7.03 ~ 8.50	1.32 ~ 7.91 ~ 9.50
	Min.~Rated~Max.		Btu/h	3,600 ~ 24,000 ~ 29,000	4,500 ~ 27,000 ~ 32,400
Heating Capacity*	Min.~Rated~Max.		kW	1.17 ~ 8.09 ~ 9.09	1.47 ~ 9.09 ~ 10.6
	Min.~Rated~Max.		Btu/h	4,000 ~ 27,600 ~ 31,000	5,000 ~ 31,000 ~ 36,000
Power Input	Cooling*	Min.~Rated~Max.	kW	0.29 ~ 1.76 ~ 2.77	0.42 ~ 1.80 ~ 2.89
	Heating*	Min.~Rated~Max.	kW	0.28 ~ 1.84 ~ 2.85	0.61 ~ 2.07 ~ 3.38
P design C / P design H			-	7.0 / 5.4	7.9 / 7.0
SEER / SCOP			Wh/Wh	8.00 / 4.40	8.00 / 4.20
Seasonal Energy Label (A+++ to D Scale)		Cooling / Heating	-	A++ / A+	A++ / A+
Annual Energy Consumption		Cooling / Heating	kWh	308 / 1,718	346 / 2,333
Power Supply			V, Ø, Hz	220-240, 1, 50	220-240, 1, 50
Running Current	Cooling*	Min.~Rated~Max.	A	1.3 ~ 8.0 ~ 12.6	1.9 ~ 8.1 ~ 13.1
	Heating*	Min.~Rated~Max.	A	1.3 ~ 8.3 ~ 12.9	2.8 ~ 9.4 ~ 15.3
Power Factor		Rated	-	0.96	0.96
Power Supply Cable (included Earth)			No. × mm ²	3C × 2.5	3C × 2.5
Casing Color			-	Warm Gray	Warm Gray
Dimensions	Net	W × H × D	mm	870 x 650 x 330	950 × 834 × 330
Weight		Net	kg	46.2	60.7
Compressor	Type		-	Twin Rotary	Twin Rotary
	Model		Model × No.	DKT208MA × 1	DJT240MA × 1
	Motor type		-	BLDC	BLDC
	Motor Output		W × No.	1,500 (at 60Hz) × 1	2,020 (at 60Hz) × 1
Refrigerant	Type		-	R32	R32
	GWP (Global Warming Potential)		-	675	675
	Precharged Amount		g	1,400	2,300
	t-CO ₂ eq.		-	0.945	1.553
	Control		-	Electronic Expansion Valve	Electronic Expansion Valve
	Chargeless-Pipe Length		m	30	30
Additional Charging Volume		g/m	20	20	
Refrigerant Oil	Type		-	FW68D	FW68D
	Charged volume		cc × No.	670 × 1	900 × 1
Heat Exchanger		(Row×Column×Fins per inch) × No.	-	(2 × 28 × 14) × 1	(2 × 38 × 14) × 1
Fan	Type		-	Propeller	Propeller
	Air Flow Rate		m ³ /min × No.	50 × 1	60 × 1
Fan Motor	Type		-	BLDC	BLDC
	Output		W × No.	85.4 × 1	124.2 × 1
Sound Pressure Level	Cooling/Heating (Rated)		dB(A)	50 / 54	50 / 54
Sound Power Level	Cooling (Rated)		dB(A)	66	65
Piping Connections	Liquid	Outer Dia. × No.	mm(inch)	Ø 6.35 (1/4) × 4	Ø 6.35 (1/4) × 4
	Gas	Outer Dia. × No.	mm(inch)	Ø 9.52 (3/8) × 4	Ø 9.52 (3/8) × 4
Piping Length	Total Piping	Max.	m	70	70
	Each Branch	Standard	m	7.5	7.5
		Max.	m	25	25
Maximum Height Difference	ODU~IDU	Max.	m	15	15
	IDU~IDU	Max.	m	7.5	7.5

Note

- Due to our policy of innovation some specifications may be changed without notification.
- Wiring cable size must comply with the applicable local and national codes. And "Electric characteristics" chapter should be considered for electrical work and design. Especially the power cable and circuit breaker should be selected in accordance with that.
- Power factor could vary less than ±1% according to the operating conditions.
- Sound pressure level is measured on the rated condition in the anechoic rooms by ISO 3745 standard.
Sound power level is measured on the rated condition in the reverberation rooms by ISO 3741 standard.
Therefore, these values can be increased owing to ambient conditions during operation.
- Performances are based on the following conditions :
 - *Cooling : Indoor Ambient Temp. 27°CDB / 19°CWB, Outdoor Ambient Temp. 35°CDB / 24°CWB
 - *Heating : Indoor Ambient Temp. 20°CDB / 15°CWB, Outdoor Ambient Temp. 7°CDB / 6°CWB
 - Interconnected Pipe is standard length and difference of Elevation (Outdoor ~ Indoor Unit) is 0m.
- This product contains Fluorinated greenhouse gases.

2. Specifications

Global Model Names [Europe Model Names]				Z5UW30GFA0 [MU5R30 U40]
Combination Limit	Sum of Indoor Units Capacity		kBtu/h	48
	Number of Indoor Units		EA	5
	Number of BD Units		EA	-
Cooling Capacity*	Min.~Rated~Max.		kW	1.32 ~ 8.79 ~ 10.6
	Min.~Rated~Max.		Btu/h	4,500 ~ 30,000 ~ 36,000
Heating Capacity*	Min.~Rated~Max.		kW	1.47 ~ 10.1 ~ 12.1
	Min.~Rated~Max.		Btu/h	5,000 ~ 34,500 ~ 41,400
Power Input	Cooling*	Min.~Rated~Max.	kW	0.42 ~ 2.00 ~ 3.35
	Heating*	Min.~Rated~Max.	kW	0.61 ~ 2.15 ~ 3.60
P design C / P design H			-	8.8 / 7.4
SEER / SCOP			Wh/Wh	8.20 / 4.20
Seasonal Energy Label (A+++ to D Scale)		Cooling / Heating	-	A++ / A+
Annual Energy Consumption		Cooling / Heating	kWh	376 / 2,467
Power Supply			V, Ø, Hz	220-240, 1, 50
Running Current	Cooling*	Min.~Rated~Max.	A	1.9 ~ 9.1 ~ 15.2
	Heating*	Min.~Rated~Max.	A	2.8 ~ 9.7 ~ 16.3
Power Factor		Rated	-	0.96
Power Supply Cable (included Earth)			No. × mm ²	3C × 2.5
Casing Color			-	Warm Gray
Dimensions	Net	W × H × D	mm	950 × 834 × 330
Weight		Net	kg	61.3
Compressor	Type		-	Twin Rotary
	Model		Model × No.	DJT240MA × 1
	Motor type		-	BLDC
	Motor Output		W × No.	2,020 (at 60Hz) × 1
Refrigerant	Type		-	R32
	GWP (Global Warming Potential)		-	675
	Precharged Amount		g	2,600
	t-CO ₂ eq.		-	1.755
	Control		-	Electronic Expansion Valve
	Chargeless-Pipe Length		m	37.5
Additional Charging Volume		g/m	20	
Refrigerant Oil	Type		-	FW68D
	Charged volume		cc × No.	900 × 1
Heat Exchanger		(Row×Column×Fins per inch) × No.	-	(2 × 38 × 14) × 1
Fan	Type		-	Propeller
	Air Flow Rate		m ³ /min × No.	60 × 1
Fan Motor	Type		-	BLDC
	Output		W × No.	124.2 × 1
Sound Pressure Level	Cooling/Heating (Rated)		dB(A)	50 / 54
Sound Power Level	Cooling (Rated)		dB(A)	66
Piping Connections	Liquid	Outer Dia. × No.	mm(inch)	Ø 6.35 (1/4) × 5
	Gas	Outer Dia. × No.	mm(inch)	Ø 9.52 (3/8) × 5
Piping Length	Total Piping	Max.	m	75
	Each Branch	Standard	m	7.5
		Max.	m	25
Maximum Height Difference	ODU~IDU	Max.	m	15
	IDU~IDU	Max.	m	7.5

Note

- Due to our policy of innovation some specifications may be changed without notification.
- Wiring cable size must comply with the applicable local and national codes. And "Electric characteristics" chapter should be considered for electrical work and design. Especially the power cable and circuit breaker should be selected in accordance with that.
- Power factor could vary less than ±1% according to the operating conditions.
- Sound pressure level is measured on the rated condition in the anechoic rooms by ISO 3745 standard.
Sound power level is measured on the rated condition in the reverberation rooms by ISO 3741 standard.
Therefore, these values can be increased owing to ambient conditions during operation.
- Performances are based on the following conditions :
 - *Cooling : Indoor Ambient Temp. 27°CDB / 19°CWB, Outdoor Ambient Temp. 35°CDB / 24°CWB
 - *Heating : Indoor Ambient Temp. 20°CDB / 15°CWB, Outdoor Ambient Temp. 7°CDB / 6°CWB
 - Interconnected Pipe is standard length and difference of Elevation (Outdoor ~ Indoor Unit) is 0m.
- This product contains Fluorinated greenhouse gases.

3. Dimensions

Z2UW14GFA0 [MU2R15 UL0] / Z2UW16GFA0 [MU2R17 UL0]

[Unit: mm]
TBW35426701_Rev.01
Chassis code : UL2

3D View

Front View
Dimensions: 359, 329, 105, 556, 20, 20, 4 holes for Anchor Bolts(M10).

Side View (removed valve cover)
Dimensions: 446, 96, 55, 160, 8, 2. Callout 2 points to the side panel.

Rear View
Dimensions: 425, 92, 288, 32, 24, 770, 60, 546, 96, 1. Callout 1 points to the fan grille.

Bottom View
Dimensions: 398, 160, 253, 2. Callout 2 points to 2 - ID. ϕ 20 holes for drain connection.

Symbols

- Datum line
- Refrigerant/Drain Piping Direction

Note

1. Unit should be installed in compliance with the installation manual in the product box.
2. Unit should be grounded in accordance with the local regulations or applicable national codes.
3. All electrical components and materials to be supplied from the site must comply with the local regulations or international codes.
4. Electric characteristics chapter should be considered for electrical work and design. Especially, the power cable and circuit breaker should be selected in accordance with that.

No.	Part Name	Description
9	Intake air temperature sensor cover	-
8	Handle	-
7	Refrigerant pipe routing hole	-
6	Power and Communication cable routing hole	-
5	Liquid Pipe connection	-
4	Gas Pipe connection	-
3	Power and communication cable connection	-
2	Control cover & SVC valve cover	-
1	Air Outlet	-

3. Dimensions

Z3UW18GFA1 [MU3R19 U21] / Z3UW21GFA1 [MU3R21 U21]

[Unit: mm]
 Chassis code : U24A
 DWG No. : TBW35867201_Rev.01

3D View

Dimensions: 566, 142, 586, 18, 366, 17, 47, 870, 26, 565, 19, 330, 40, 587, 208, 650, 22, 293, 399, 449, 20 holes for drain connection

Callouts: 1, 2, 3, 4, 5, 6, 7, A, B, C

No.	Part Name	Description
7	Power and Communication cable hole	—
6	Intake air temperature sensor cover	—
5	Handle	—
4	Liquid pipe connection	Flare joint
3	Gas pipe connection	Flare joint
2	Control cover & SVC valve cover	—
1	Air outlet	—

Note

- Unit should be installed in compliance with the installation manual in the product box.
- Unit should be grounded in accordance with the local regulations or applicable national codes.
- All electrical components and materials to be supplied from the site must comply with the local regulations or international codes.
- Electrical characteristics chapter should be considered for electrical work and design. Especially the power cable and circuit breaker should be selected in accordance with that.

Symbol

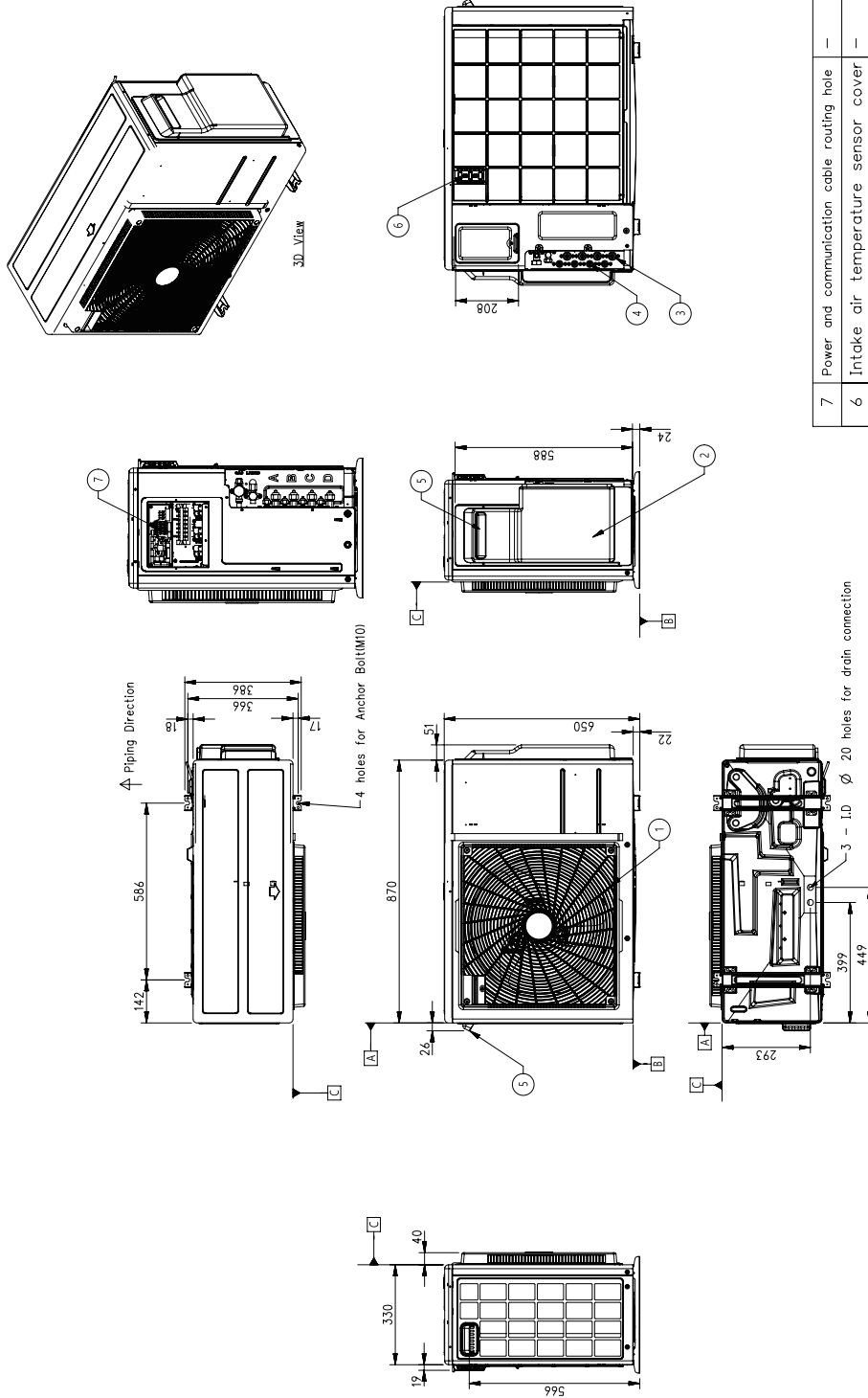
↑ Piping direction

□ Datum line

3. Dimensions

Z4UW24GFA1 [MU4R25 U21]

[Unit: mm]
 Chassis code : U24A
 DWG No. : TBW35867001_Rev.01



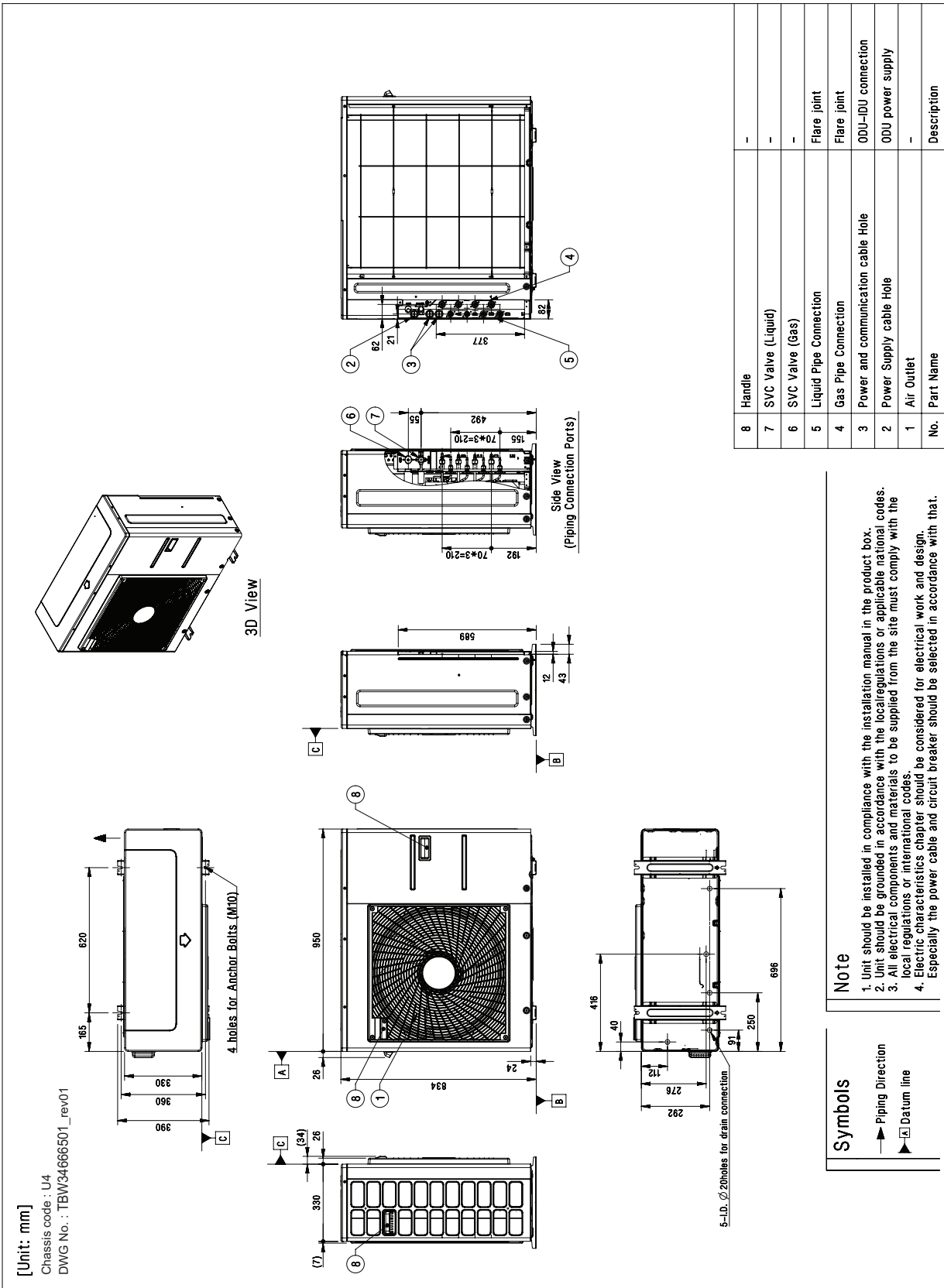
Symbol
 ↑ Piping direction
 □ Datum line

Note
 1. Unit should be installed in compliance with the installation manual in the product box.
 2. Unit should be grounded in accordance with the local regulations or applicable national codes.
 3. All electrical components and materials to be supplied from the site must comply with the local regulations or international codes.
 4. Electrical contractor should be considered for electrical work and design. Especially the power cable and circuit breaker should be selected in accordance with that.

No.	Part Name	Description
7	Power and communication cable routing hole	—
6	Intake air temperature sensor cover	—
5	Handle	—
4	Liquid pipe connection	Flare joint
3	Gas pipe connection	Flare joint
2	Control cover & SVC valve cover	—
1	Air outlet	—
No.	Part Name	Description

3. Dimensions

Z4UW27GFA0 [MU4R27 U40]



3. Dimensions

Z5UW30GFA0 [MU5R30 U40]

[Unit: mm]
Chassis code : U4
DWG P/No. : TBW34826501_Rev.01

3D View

E=ID. ∅ 20holes for drain connection

Note

- Unit should be installed in compliance with the installation manual in the product box.
- Unit should be grounded in accordance with the local regulations or applicable national codes.
- All electrical components and materials to be supplied from the site must comply with the local regulations or international codes.
- Electric characteristics chapter should be considered for electrical work and design. Especially the power cable and circuit breaker should be selected in accordance with that.

Symbols

- Piping Direction
- Datum line

No.	Part Name	Description
8	SVC Valve (Liquid)	Flare joint
7	SVC Valve (Gas)	Flare joint
6	Handle	-
5	Liquid pipe Connection	Flare joint
4	Gas pipe Connection	Flare joint
3	Power and Communication Cable hole	ODU-IDU connection
2	Power Supply cable Hole	ODU power supply
1	Air Outlet	-

4. Combination Table

The individual indoor unit capacity can be calculated as follow depending on the total connected capacity of all indoor units.

$$[Q_{idu(Combi)}] = [Q_{odu(rated)}] \times [Q_{idu(rated,each)}] / [Q_{idu(rated,total)}]$$

$Q_{idu(Combi)}$: Individual indoor unit combinational capacity

$Q_{odu(rated)}$: Outdoor unit rated capacity

$Q_{idu(rated,each)}$: Capacity of individual indoor unit

$Q_{idu(rated,total)}$: Total sum of capacity for connected indoor units

Important

In case that the connected indoor units include high static duct type, capacity index of high static duct indoor unit should be multiplied by 1.3 times when calculate the 'Combination Ratio'.

4.1 Z2UW14GFA0 [MU2R15 UL0]

◆ Cooling

Combination (Capacity index, kBtu/h)						Cooling									
						Total Capacity						Input (W)			
						Min		Rated		Max					
Unit-A	Unit-B	Unit-C	Unit-D	Unit-E	Total	Btu/h	kW	Btu/h	kW	Btu/h	kW	Min	Rated	Max	
1 Unit Operation															
5	-	-	-	-	5	3,000	0.88	5,000	1.47	5,750	1.69	226	381	477	
7	-	-	-	-	7	4,200	1.23	7,000	2.05	8,050	2.36	303	540	683	
9	-	-	-	-	9	5,400	1.58	9,000	2.64	10,350	3.03	408	676	864	
12	-	-	-	-	12	7,200	2.11	12,000	3.52	13,800	4.04	540	926	1,176	
2 Units Operation															
5	5	-	-	-	10	6,000	1.76	10,000	2.93	11,500	3.37	414	682	889	
5	7	-	-	-	12	7,200	2.11	12,000	3.52	13,800	4.04	486	833	1,106	
5	9	-	-	-	14	8,400	2.46	14,000	4.10	16,100	4.72	583	988	1,376	
7	7	-	-	-	14	8,400	2.46	14,000	4.10	16,100	4.72	583	988	1,376	
7	9	-	-	-	16	8,400	2.46	14,000	4.10	16,100	4.72	583	988	1,376	
5	12	-	-	-	17	8,400	2.46	14,000	4.10	16,100	4.72	583	988	1,376	
9	9	-	-	-	18	8,400	2.46	14,000	4.10	16,100	4.72	583	988	1,376	
7	12	-	-	-	19	8,400	2.46	14,000	4.10	16,100	4.72	583	988	1,376	
9	12	-	-	-	21	8,400	2.46	14,000	4.10	16,100	4.72	583	988	1,376	

Note

- Capacities are based on the following conditions :
 - Cooling : Indoor Ambient Temp. 27°CDB/19°CWB, Outdoor Ambient Temp. 35°CDB/24°CWB
 - Heating : Indoor Ambient Temp. 20°CDB / 15°CWB, Outdoor Ambient Temp. 7°CDB / 6°CWB
 - Interconnected piping is standard length and difference of Elevation (Outdoor ~ Indoor Unit) is 0 m.
- At least two indoor units should be connected. And minimum limit of combination ratio is 40% approximately for rated capacity of outdoor unit.
- Don't exceed the maximum connectable indoor units number, it can be found in Specifications or combination table of outdoor unit model.

◆ Heating

Combination (Capacity index, kBtu/h)						Heating									
						Total Capacity						Input (W)			
						Min		Rated		Max					
Unit-A	Unit-B	Unit-C	Unit-D	Unit-E	Total	Btu/h	kW	Btu/h	kW	Btu/h	kW	Min	Rated	Max	
1 Unit Operation															
5	-	-	-	-	5	3,300	0.97	5,500	1.61	6,050	1.77	235	380	472	
7	-	-	-	-	7	5,040	1.48	8,400	2.46	9,240	2.71	355	604	721	
9	-	-	-	-	9	6,480	1.90	10,800	3.17	11,880	3.48	454	784	949	
12	-	-	-	-	12	7,920	2.32	13,200	3.87	14,520	4.26	554	969	1,185	
2 Units Operation															
5	5	-	-	-	10	6,600	1.93	11,000	3.22	12,100	3.55	408	706	854	
5	7	-	-	-	12	7,920	2.32	13,200	3.87	14,520	4.26	498	872	1,066	
5	9	-	-	-	14	9,600	2.81	16,000	4.69	18,400	5.39	613	1,068	1,433	
7	7	-	-	-	14	9,600	2.81	16,000	4.69	18,400	5.39	613	1,068	1,433	
7	9	-	-	-	16	9,600	2.81	16,000	4.69	18,400	5.39	613	1,068	1,433	
5	12	-	-	-	17	9,600	2.81	16,000	4.69	18,400	5.39	613	1,068	1,433	

Note

- Capacities are based on the following conditions :
 - Cooling : Indoor Ambient Temp. 27°CDB/19°CWB, Outdoor Ambient Temp. 35°CDB/24°CWB
 - Heating : Indoor Ambient Temp. 20°CDB / 15°CWB, Outdoor Ambient Temp. 7°CDB / 6°CWB
 - Interconnected piping is standard length and difference of Elevation (Outdoor ~ Indoor Unit) is 0 m.
- At least two indoor units should be connected. And minimum limit of combination ratio is 40% approximately for rated capacity of outdoor unit.
- Don't exceed the maximum connectable indoor units number, it can be found in Specifications or combination table of outdoor unit model.

4. Combination Table

Combination (Capacity index, kBtu/h)						Heating								
						Total Capacity						Input (W)		
						Min		Rated		Max				
Unit-A	Unit-B	Unit-C	Unit-D	Unit-E	Total	Btu/h	kW	Btu/h	kW	Btu/h	kW	Min	Rated	Max
9	9	-	-	-	18	9,600	2.81	16,000	4.69	18,400	5.39	613	1,068	1,433
7	12	-	-	-	19	9,600	2.81	16,000	4.69	18,400	5.39	613	1,068	1,433
9	12	-	-	-	21	9,600	2.81	16,000	4.69	18,400	5.39	613	1,068	1,433

Note

1. Capacities are based on the following conditions :

- Cooling : Indoor Ambient Temp. 27°CDB/19°CWB, Outdoor Ambient Temp. 35°CDB/24°CWB
- Heating : Indoor Ambient Temp. 20°CDB / 15°CWB, Outdoor Ambient Temp. 7°CDB / 6°CWB
- Interconnected piping is standard length and difference of Elevation (Outdoor ~ Indoor Unit) is 0 m.

2. At least two indoor units should be connected. And minimum limit of combination ratio is 40% approximately for rated capacity of outdoor unit.

3. Don't exceed the maximum connectable indoor units number, it can be found in Specifications or combination table of outdoor unit model.

4. Combination Table

4.2 Z2UW16GFA0 [MU2R17 UL0]

◆ Cooling

Combination (Capacity index, kBtu/h)						Cooling									
						Total Capacity						Input (W)			
												Min	Rated	Max	
Unit-A	Unit-B	Unit-C	Unit-D	Unit-E	Total	Btu/h	kW	Btu/h	kW	Btu/h	kW	Min	Rated	Max	
1 Unit Operation															
5	-	-	-	-	5	3,000	0.88	5,000	1.47	5,750	1.69	226	381	477	
7	-	-	-	-	7	4,200	1.23	7,000	2.05	8,050	2.36	303	540	683	
9	-	-	-	-	9	5,400	1.58	9,000	2.64	10,350	3.03	408	676	864	
12	-	-	-	-	12	7,200	2.11	12,000	3.52	13,800	4.04	540	926	1,176	
15	-	-	-	-	15	8,520	2.50	14,200	4.16	16,330	4.79	648	1,196	1,588	
2 Units Operation															
5	5	-	-	-	10	6,000	1.76	10,000	2.93	11,500	3.37	414	682	889	
5	7	-	-	-	12	7,200	2.11	12,000	3.52	13,800	4.04	486	833	1,058	
5	9	-	-	-	14	8,400	2.46	14,000	4.10	16,100	4.72	583	988	1,376	
7	7	-	-	-	14	8,400	2.46	14,000	4.10	16,100	4.72	583	988	1,376	
7	9	-	-	-	16	9,600	2.81	16,000	4.69	18,400	5.39	657	1,251	1,699	
5	12	-	-	-	17	9,600	2.81	16,000	4.69	18,400	5.39	657	1,251	1,699	
9	9	-	-	-	18	9,600	2.81	16,000	4.69	18,400	5.39	657	1,251	1,699	
7	12	-	-	-	19	9,600	2.81	16,000	4.69	18,400	5.39	657	1,251	1,699	
5	15	-	-	-	20	9,600	2.81	16,000	4.69	18,400	5.39	657	1,251	1,699	
9	12	-	-	-	21	9,600	2.81	16,000	4.69	18,400	5.39	657	1,251	1,699	
7	15	-	-	-	22	9,600	2.81	16,000	4.69	18,400	5.39	657	1,251	1,699	
9	15	-	-	-	24	9,600	2.81	16,000	4.69	18,400	5.39	657	1,251	1,699	
12	12	-	-	-	24	9,600	2.81	16,000	4.69	18,400	5.39	657	1,251	1,699	

Note

- Capacities are based on the following conditions :
 - Cooling : Indoor Ambient Temp. 27°CDB/19°CWB, Outdoor Ambient Temp. 35°CDB/24°CWB
 - Heating : Indoor Ambient Temp. 20°CDB / 15°CWB, Outdoor Ambient Temp. 7°CDB / 6°CWB
 - Interconnected piping is standard length and difference of Elevation (Outdoor ~ Indoor Unit) is 0 m.
- At least two indoor units should be connected. And minimum limit of combination ratio is 40% approximately for rated capacity of outdoor unit.
- Don't exceed the maximum connectable indoor units number, it can be found in Specifications or combination table of outdoor unit model.

◆ Heating

Combination (Capacity index, kBtu/h)						Heating									
						Total Capacity						Input (W)			
												Min	Rated	Max	
Unit-A	Unit-B	Unit-C	Unit-D	Unit-E	Total	Btu/h	kW	Btu/h	kW	Btu/h	kW	Min	Rated	Max	
1 Unit Operation															
5	-	-	-	-	5	3,300	0.97	5,500	1.61	6,050	1.77	235	380	472	
7	-	-	-	-	7	5,040	1.48	8,400	2.46	9,240	2.71	355	604	721	
9	-	-	-	-	9	6,480	1.90	10,800	3.17	11,880	3.48	454	758	920	
12	-	-	-	-	12	7,920	2.32	13,200	3.87	14,520	4.26	554	942	1,155	
15	-	-	-	-	15	9,900	2.90	16,500	4.84	18,150	5.32	706	1,187	1,489	
2 Units Operation															
5	5	-	-	-	10	6,600	1.93	11,000	3.22	12,100	3.55	408	706	854	
5	7	-	-	-	12	7,920	2.32	13,200	3.87	14,520	4.26	498	872	1,066	
5	9	-	-	-	14	9,600	2.81	16,000	4.69	18,400	5.39	613	1,066	1,433	
7	7	-	-	-	14	9,600	2.81	16,000	4.69	18,400	5.39	613	1,066	1,433	
7	9	-	-	-	16	10,800	3.17	18,000	5.28	19,400	5.69	706	1,247	1,633	
5	12	-	-	-	17	10,800	3.17	18,000	5.28	19,400	5.69	706	1,247	1,633	
9	9	-	-	-	18	10,800	3.17	18,000	5.28	19,400	5.69	706	1,247	1,633	
7	12	-	-	-	19	10,800	3.17	18,000	5.28	19,400	5.69	706	1,247	1,633	
5	15	-	-	-	20	10,800	3.17	18,000	5.28	19,400	5.69	706	1,247	1,633	
9	12	-	-	-	21	10,800	3.17	18,000	5.28	19,400	5.69	706	1,247	1,633	
7	15	-	-	-	22	10,800	3.17	18,000	5.28	19,400	5.69	706	1,247	1,633	
9	15	-	-	-	24	10,800	3.17	18,000	5.28	19,400	5.69	706	1,247	1,633	
12	12	-	-	-	24	10,800	3.17	18,000	5.28	19,400	5.69	706	1,247	1,633	

Note

- Capacities are based on the following conditions :
 - Cooling : Indoor Ambient Temp. 27°CDB/19°CWB, Outdoor Ambient Temp. 35°CDB/24°CWB
 - Heating : Indoor Ambient Temp. 20°CDB / 15°CWB, Outdoor Ambient Temp. 7°CDB / 6°CWB
 - Interconnected piping is standard length and difference of Elevation (Outdoor ~ Indoor Unit) is 0 m.
- At least two indoor units should be connected. And minimum limit of combination ratio is 40% approximately for rated capacity of outdoor unit.
- Don't exceed the maximum connectable indoor units number, it can be found in Specifications or combination table of outdoor unit model.

4. Combination Table

4.3 Z3UW18GFA1 [MU3R19 U21]

◆ Cooling

Combination (Capacity index, kBtu/h)						Cooling									
						Total Capacity						Input (W)			
												Min		Rated	
Unit-A	Unit-B	Unit-C	Unit-D	Unit-E	Total	Btu/h	kW	Btu/h	kW	Btu/h	kW	Min	Rated	Max	
1 Unit Operation															
5	-	-	-	-	5	3,600	1.06	5,000	1.47	6,000	1.76	288	363	571	
7	-	-	-	-	7	4,200	1.23	7,000	2.05	8,400	2.46	319	478	645	
9	-	-	-	-	9	5,400	1.58	9,000	2.64	10,800	3.17	378	595	847	
12	-	-	-	-	12	7,200	2.11	12,000	3.52	14,400	4.22	478	822	1,139	
15	-	-	-	-	15	8,520	2.50	15,000	4.40	17,040	4.99	573	1,003	1,356	
18	-	-	-	-	18	10,800	3.17	18,000	5.28	21,600	6.33	747	1,302	1,827	
2 Units Operation															
5	5	-	-	-	10	7,200	2.11	10,000	2.93	12,000	3.52	350	532	788	
5	7	-	-	-	12	7,200	2.11	12,000	3.52	14,400	4.22	350	669	991	
5	9	-	-	-	14	8,400	2.46	14,000	4.10	16,800	4.92	408	821	1,215	
7	7	-	-	-	14	8,400	2.46	14,000	4.10	16,800	4.92	408	821	1,215	
7	9	-	-	-	16	9,600	2.81	16,000	4.69	19,200	5.63	469	991	1,467	
5	12	-	-	-	17	10,200	2.99	17,000	4.98	20,400	5.98	532	1,083	1,603	
9	9	-	-	-	18	10,800	3.17	18,000	5.28	21,600	6.33	599	1,182	2,040	
7	12	-	-	-	19	10,800	3.17	18,000	5.28	21,600	6.33	599	1,182	2,040	
5	15	-	-	-	20	10,800	3.17	18,000	5.28	21,600	6.33	599	1,182	2,040	
9	12	-	-	-	21	10,800	3.17	18,000	5.28	21,600	6.33	599	1,182	2,040	
7	15	-	-	-	22	10,800	3.17	18,000	5.28	21,600	6.33	599	1,182	2,040	
5	18	-	-	-	23	10,800	3.17	18,000	5.28	21,600	6.33	599	1,182	2,040	
9	15	-	-	-	24	10,800	3.17	18,000	5.28	21,600	6.33	599	1,182	2,040	
12	12	-	-	-	24	10,800	3.17	18,000	5.28	21,600	6.33	599	1,182	2,040	
7	18	-	-	-	25	10,800	3.17	18,000	5.28	21,600	6.33	599	1,182	2,040	
9	18	-	-	-	27	10,800	3.17	18,000	5.28	21,600	6.33	599	1,182	2,040	
12	15	-	-	-	27	10,800	3.17	18,000	5.28	21,600	6.33	599	1,182	2,040	
5	24	-	-	-	29	10,800	3.17	18,000	5.28	21,600	6.33	599	1,182	2,040	
12	18	-	-	-	30	10,800	3.17	18,000	5.28	21,600	6.33	599	1,182	2,040	
15	15	-	-	-	30	10,800	3.17	18,000	5.28	21,600	6.33	599	1,182	2,040	
3 Units Operation															
5	5	5	-	-	15	9,000	2.64	15,000	4.40	18,000	5.28	422	837	1,239	
5	5	7	-	-	17	10,200	2.99	17,000	4.98	20,400	5.98	481	1,013	1,500	
5	5	9	-	-	19	10,800	3.17	18,000	5.28	21,600	6.33	544	1,111	1,918	
5	7	7	-	-	19	10,800	3.17	18,000	5.28	21,600	6.33	544	1,111	1,918	
5	7	9	-	-	21	10,800	3.17	18,000	5.28	21,600	6.33	544	1,111	1,918	
7	7	7	-	-	21	10,800	3.17	18,000	5.28	21,600	6.33	544	1,111	1,918	
5	5	12	-	-	22	10,800	3.17	18,000	5.28	21,600	6.33	544	1,111	1,918	
5	9	9	-	-	23	10,800	3.17	18,000	5.28	21,600	6.33	544	1,111	1,918	
7	7	9	-	-	23	10,800	3.17	18,000	5.28	21,600	6.33	544	1,111	1,918	
5	7	12	-	-	24	10,800	3.17	18,000	5.28	21,600	6.33	544	1,111	1,918	
5	5	15	-	-	25	10,800	3.17	18,000	5.28	21,600	6.33	544	1,111	1,918	
7	9	9	-	-	25	10,800	3.17	18,000	5.28	21,600	6.33	544	1,111	1,918	
5	9	12	-	-	26	10,800	3.17	18,000	5.28	21,600	6.33	544	1,111	1,918	
7	7	12	-	-	26	10,800	3.17	18,000	5.28	21,600	6.33	544	1,111	1,918	
5	7	15	-	-	27	10,800	3.17	18,000	5.28	21,600	6.33	544	1,111	1,918	
9	9	9	-	-	27	10,800	3.17	18,000	5.28	21,600	6.33	544	1,111	1,918	
7	9	12	-	-	28	10,800	3.17	18,000	5.28	21,600	6.33	544	1,111	1,918	
5	5	18	-	-	28	10,800	3.17	18,000	5.28	21,600	6.33	544	1,111	1,918	
5	9	15	-	-	29	10,800	3.17	18,000	5.28	21,600	6.33	544	1,111	1,918	
5	12	12	-	-	29	10,800	3.17	18,000	5.28	21,600	6.33	544	1,111	1,918	
7	7	15	-	-	29	10,800	3.17	18,000	5.28	21,600	6.33	544	1,111	1,918	
5	7	18	-	-	30	10,800	3.17	18,000	5.28	21,600	6.33	544	1,111	1,918	
9	9	12	-	-	30	10,800	3.17	18,000	5.28	21,600	6.33	544	1,111	1,918	

Note

- Capacities are based on the following conditions :
 - Cooling : Indoor Ambient Temp. 27°CDB/19°CWB, Outdoor Ambient Temp. 35°CDB/24°CWB
 - Heating : Indoor Ambient Temp. 20°CDB / 15°CWB, Outdoor Ambient Temp. 7°CDB / 6°CWB
 - Interconnected piping is standard length and difference of Elevation (Outdoor ~ Indoor Unit) is 0 m.
- At least two indoor units should be connected. And minimum limit of combination ratio is 40% approximately for rated capacity of outdoor unit.
- Don't exceed the maximum connectable indoor units number, it can be found in Specifications or combination table of outdoor unit model.

4. Combination Table

◆ Heating

Combination (Capacity index, kBtu/h)						Heating									
						Total Capacity						Input (W)			
															Min
Unit-A	Unit-B	Unit-C	Unit-D	Unit-E	Total	Btu/h	kW	Btu/h	kW	Btu/h	kW	Min	Rated	Max	
1 Unit Operation															
5	-	-	-	-	5	4,000	1.17	5,500	1.61	6,325	1.85	279	384	589	
7	-	-	-	-	7	5,040	1.48	8,400	2.46	9,660	2.83	342	579	743	
9	-	-	-	-	9	6,480	1.90	10,800	3.17	12,420	3.64	483	757	997	
12	-	-	-	-	12	7,920	2.32	13,200	3.87	15,180	4.45	537	954	1,234	
15	-	-	-	-	15	9,900	2.90	16,500	4.84	18,975	5.56	688	1,189	1,593	
18	-	-	-	-	18	11,880	3.48	19,800	5.80	22,770	6.67	845	1,483	1,978	
2 Units Operation															
5	5	-	-	-	10	7,200	2.11	12,000	3.52	14,400	4.22	329	598	861	
5	7	-	-	-	12	8,640	2.53	14,400	4.22	17,280	5.06	430	904	1,301	
5	9	-	-	-	14	10,080	2.95	16,800	4.92	20,160	5.91	484	945	1,360	
7	7	-	-	-	14	10,080	2.95	16,800	4.92	20,160	5.91	484	945	1,360	
7	9	-	-	-	16	11,520	3.38	19,200	5.63	23,040	6.75	540	1,118	1,610	
5	12	-	-	-	17	12,240	3.59	20,400	5.98	24,480	7.17	598	1,319	1,899	
9	9	-	-	-	18	12,960	3.80	21,600	6.33	25,000	7.33	660	1,391	2,040	
7	12	-	-	-	19	12,960	3.80	21,600	6.33	25,000	7.33	660	1,391	2,040	
5	15	-	-	-	20	12,960	3.80	21,600	6.33	25,000	7.33	660	1,391	2,040	
9	12	-	-	-	21	12,960	3.80	21,600	6.33	25,000	7.33	660	1,391	2,040	
7	15	-	-	-	22	12,960	3.80	21,600	6.33	25,000	7.33	660	1,391	2,040	
5	18	-	-	-	23	12,960	3.80	21,600	6.33	25,000	7.33	660	1,391	2,040	
9	15	-	-	-	24	12,960	3.80	21,600	6.33	25,000	7.33	660	1,391	2,040	
12	12	-	-	-	24	12,960	3.80	21,600	6.33	25,000	7.33	660	1,391	2,040	
7	18	-	-	-	25	12,960	3.80	21,600	6.33	25,000	7.33	660	1,391	2,040	
9	18	-	-	-	27	12,960	3.80	21,600	6.33	25,000	7.33	660	1,391	2,040	
12	15	-	-	-	27	12,960	3.80	21,600	6.33	25,000	7.33	660	1,391	2,040	
5	24	-	-	-	29	12,960	3.80	21,600	6.33	25,000	7.33	660	1,391	2,040	
12	18	-	-	-	30	12,960	3.80	21,600	6.33	25,000	7.33	660	1,391	2,040	
15	15	-	-	-	30	12,960	3.80	21,600	6.33	25,000	7.33	660	1,391	2,040	
3 Units Operation															
5	5	5	-	-	15	10,800	3.17	18,000	5.28	21,600	6.33	497	946	1,363	
5	5	7	-	-	17	12,240	3.59	20,400	5.98	24,480	7.17	551	1,118	1,610	
5	5	9	-	-	19	12,960	3.80	21,600	6.33	25,000	7.33	725	1,266	1,823	
5	7	7	-	-	19	12,960	3.80	21,600	6.33	25,000	7.33	725	1,266	1,823	
5	7	9	-	-	21	12,960	3.80	21,600	6.33	25,000	7.33	725	1,266	1,823	
7	7	7	-	-	21	12,960	3.80	21,600	6.33	25,000	7.33	725	1,266	1,823	
5	5	12	-	-	22	12,960	3.80	21,600	6.33	25,000	7.33	725	1,266	1,823	
5	9	9	-	-	23	12,960	3.80	21,600	6.33	25,000	7.33	725	1,266	1,823	
7	7	9	-	-	23	12,960	3.80	21,600	6.33	25,000	7.33	725	1,266	1,823	
5	7	12	-	-	24	12,960	3.80	21,600	6.33	25,000	7.33	725	1,266	1,823	
5	5	15	-	-	25	12,960	3.80	21,600	6.33	25,000	7.33	725	1,266	1,823	
7	9	9	-	-	25	12,960	3.80	21,600	6.33	25,000	7.33	725	1,266	1,823	
5	9	12	-	-	26	12,960	3.80	21,600	6.33	25,000	7.33	725	1,266	1,823	
7	7	12	-	-	26	12,960	3.80	21,600	6.33	25,000	7.33	725	1,266	1,823	
5	7	15	-	-	27	12,960	3.80	21,600	6.33	25,000	7.33	725	1,266	1,823	
9	9	9	-	-	27	12,960	3.80	21,600	6.33	25,000	7.33	725	1,266	1,823	
7	9	12	-	-	28	12,960	3.80	21,600	6.33	25,000	7.33	725	1,266	1,823	
5	5	18	-	-	28	12,960	3.80	21,600	6.33	25,000	7.33	725	1,266	1,823	
5	9	15	-	-	29	12,960	3.80	21,600	6.33	25,000	7.33	725	1,266	1,823	
5	12	12	-	-	29	12,960	3.80	21,600	6.33	25,000	7.33	725	1,266	1,823	
7	7	15	-	-	29	12,960	3.80	21,600	6.33	25,000	7.33	725	1,266	1,823	
5	7	18	-	-	30	12,960	3.80	21,600	6.33	25,000	7.33	725	1,266	1,823	
9	9	12	-	-	30	12,960	3.80	21,600	6.33	25,000	7.33	725	1,266	1,823	

Note

- Capacities are based on the following conditions :
 - Cooling : Indoor Ambient Temp. 27°CDB/19°CWB, Outdoor Ambient Temp. 35°CDB/24°CWB
 - Heating : Indoor Ambient Temp. 20°CDB / 15°CWB, Outdoor Ambient Temp. 7°CDB / 6°CWB
 - Interconnected piping is standard length and difference of Elevation (Outdoor ~ Indoor Unit) is 0 m.
- At least two indoor units should be connected. And minimum limit of combination ratio is 40% approximately for rated capacity of outdoor unit.
- Don't exceed the maximum connectable indoor units number, it can be found in Specifications or combination table of outdoor unit model.

4. Combination Table

4.4 Z3UW21GFA1 [MU3R21 U21]

◆ Cooling

Combination (Capacity index, kBtu/h)						Cooling									
						Total Capacity						Input (W)			
												Min		Rated	
Unit-A	Unit-B	Unit-C	Unit-D	Unit-E	Total	Btu/h	kW	Btu/h	kW	Btu/h	kW	Min	Rated	Max	
1 Unit Operation															
5	-	-	-	-	5	3,600	1.06	5,000	1.47	6,000	1.76	288	363	571	
7	-	-	-	-	7	4,200	1.23	7,000	2.05	8,400	2.46	319	478	645	
9	-	-	-	-	9	5,400	1.58	9,000	2.64	10,800	3.17	378	595	847	
12	-	-	-	-	12	7,200	2.11	12,000	3.52	14,400	4.22	478	822	1,139	
15	-	-	-	-	15	8,520	2.50	15,000	4.40	17,040	4.99	573	1,003	1,356	
18	-	-	-	-	18	10,800	3.17	18,000	5.28	21,600	6.33	747	1,302	1,827	
2 Units Operation															
5	5	-	-	-	10	7,200	2.11	10,000	2.93	12,000	3.52	350	532	788	
5	7	-	-	-	12	7,200	2.11	12,000	3.52	14,400	4.22	350	669	991	
5	9	-	-	-	14	8,400	2.46	14,000	4.10	16,800	4.92	408	821	1,215	
7	7	-	-	-	14	8,400	2.46	14,000	4.10	16,800	4.92	408	821	1,215	
7	9	-	-	-	16	9,600	2.81	16,000	4.69	19,200	5.63	469	991	1,467	
5	12	-	-	-	17	10,200	2.99	17,000	4.98	20,400	5.98	532	1,083	1,603	
9	9	-	-	-	18	10,800	3.17	18,000	5.28	21,600	6.33	599	1,182	1,890	
7	12	-	-	-	19	11,400	3.34	19,000	5.57	22,800	6.68	669	1,290	2,064	
5	15	-	-	-	20	12,000	3.52	20,000	5.86	24,000	7.03	669	1,406	2,249	
9	12	-	-	-	21	12,600	3.69	21,000	6.15	24,150	7.08	743	1,530	2,450	
7	15	-	-	-	22	12,600	3.69	21,000	6.15	24,150	7.08	743	1,530	2,450	
5	18	-	-	-	23	12,600	3.69	21,000	6.15	24,150	7.08	743	1,530	2,450	
9	15	-	-	-	24	12,600	3.69	21,000	6.15	25,000	7.33	743	1,530	2,450	
12	12	-	-	-	24	12,600	3.69	21,000	6.15	25,000	7.33	743	1,530	2,450	
7	18	-	-	-	25	12,600	3.69	21,000	6.15	25,000	7.33	743	1,530	2,450	
9	18	-	-	-	27	12,600	3.69	21,000	6.15	25,000	7.33	743	1,530	2,450	
12	15	-	-	-	27	12,600	3.69	21,000	6.15	25,000	7.33	743	1,530	2,450	
5	24	-	-	-	29	12,600	3.69	21,000	6.15	25,000	7.33	743	1,530	2,450	
12	18	-	-	-	30	12,600	3.69	21,000	6.15	25,000	7.33	743	1,530	2,450	
15	15	-	-	-	30	12,600	3.69	21,000	6.15	25,000	7.33	743	1,530	2,450	
7	24	-	-	-	31	12,600	3.69	21,000	6.15	25,000	7.33	743	1,530	2,450	
9	24	-	-	-	33	12,600	3.69	21,000	6.15	25,000	7.33	743	1,530	2,450	
15	18	-	-	-	33	12,600	3.69	21,000	6.15	25,000	7.33	743	1,530	2,450	
3 Units Operation															
5	5	5	-	-	15	9,000	2.64	15,000	4.40	18,000	5.28	422	837	1,239	
5	5	7	-	-	17	10,200	2.99	17,000	4.98	20,400	5.98	481	1,013	1,500	
5	5	9	-	-	19	11,400	3.34	19,000	5.57	22,800	6.68	544	1,212	1,940	
5	7	7	-	-	19	11,400	3.34	19,000	5.57	22,800	6.68	544	1,212	1,940	
5	7	9	-	-	21	12,600	3.69	21,000	6.15	25,000	7.33	682	1,438	2,301	
7	7	7	-	-	21	12,600	3.69	21,000	6.15	25,000	7.33	682	1,438	2,301	
5	5	12	-	-	22	12,600	3.69	21,000	6.15	25,000	7.33	682	1,438	2,301	
5	9	9	-	-	23	12,600	3.69	21,000	6.15	25,000	7.33	682	1,438	2,301	
7	7	9	-	-	23	12,600	3.69	21,000	6.15	25,000	7.33	682	1,438	2,301	
5	7	12	-	-	24	12,600	3.69	21,000	6.15	25,000	7.33	682	1,438	2,301	
5	5	15	-	-	25	12,600	3.69	21,000	6.15	25,000	7.33	682	1,438	2,301	
7	9	9	-	-	25	12,600	3.69	21,000	6.15	25,000	7.33	682	1,438	2,301	
5	9	12	-	-	26	12,600	3.69	21,000	6.15	25,000	7.33	682	1,438	2,301	
7	7	12	-	-	26	12,600	3.69	21,000	6.15	25,000	7.33	682	1,438	2,301	
5	7	15	-	-	27	12,600	3.69	21,000	6.15	25,000	7.33	682	1,438	2,301	
9	9	9	-	-	27	12,600	3.69	21,000	6.15	25,000	7.33	682	1,438	2,301	
5	5	18	-	-	28	12,600	3.69	21,000	6.15	25,000	7.33	682	1,438	2,301	
7	9	12	-	-	28	12,600	3.69	21,000	6.15	25,000	7.33	682	1,438	2,301	
5	9	15	-	-	29	12,600	3.69	21,000	6.15	25,000	7.33	682	1,438	2,301	
5	12	12	-	-	29	12,600	3.69	21,000	6.15	25,000	7.33	682	1,438	2,301	
7	7	15	-	-	29	12,600	3.69	21,000	6.15	25,000	7.33	682	1,438	2,301	
5	7	18	-	-	30	12,600	3.69	21,000	6.15	25,000	7.33	682	1,438	2,301	
9	9	12	-	-	30	12,600	3.69	21,000	6.15	25,000	7.33	682	1,438	2,301	
7	9	15	-	-	31	12,600	3.69	21,000	6.15	25,000	7.33	682	1,438	2,301	
7	12	12	-	-	31	12,600	3.69	21,000	6.15	25,000	7.33	682	1,438	2,301	
5	12	15	-	-	32	12,600	3.69	21,000	6.15	25,000	7.33	682	1,438	2,301	
5	9	18	-	-	32	12,600	3.69	21,000	6.15	25,000	7.33	682	1,438	2,301	

Note

- Capacities are based on the following conditions :
 - Cooling : Indoor Ambient Temp. 27°CDB/19°CWB, Outdoor Ambient Temp. 35°CDB/24°CWB
 - Heating : Indoor Ambient Temp. 20°CDB / 15°CWB, Outdoor Ambient Temp. 7°CDB / 6°CWB
 - Interconnected piping is standard length and difference of Elevation (Outdoor ~ Indoor Unit) is 0 m.
- At least two indoor units should be connected. And minimum limit of combination ratio is 40% approximately for rated capacity of outdoor unit.
- Don't exceed the maximum connectable indoor units number, it can be found in Specifications or combination table of outdoor unit model.

4. Combination Table

Combination (Capacity index, kBtu/h)						Cooling														
												Total Capacity						Input (W)		
												Min		Rated		Max				
Unit-A	Unit-B	Unit-C	Unit-D	Unit-E	Total	Btu/h	kW	Btu/h	kW	Btu/h	kW	Min	Rated	Max						
7	7	18	-	-	32	12,600	3.69	21,000	6.15	25,000	7.33	682	1,438	2,301						
9	9	15	-	-	33	12,600	3.69	21,000	6.15	25,000	7.33	682	1,438	2,301						
9	12	12	-	-	33	12,600	3.69	21,000	6.15	25,000	7.33	682	1,438	2,301						

Note

1. Capacities are based on the following conditions :

- Cooling : Indoor Ambient Temp. 27°CDB/19°CWB, Outdoor Ambient Temp. 35°CDB/24°CWB
- Heating : Indoor Ambient Temp. 20°CDB / 15°CWB, Outdoor Ambient Temp. 7°CDB / 6°CWB
- Interconnected piping is standard length and difference of Elevation (Outdoor ~ Indoor Unit) is 0 m.

2. At least two indoor units should be connected. And minimum limit of combination ratio is 40% approximately for rated capacity of outdoor unit.

3. Don't exceed the maximum connectable indoor units number, it can be found in Specifications or combination table of outdoor unit model.

4. Combination Table

◆ Heating

Combination (Capacity index, kBtu/h)						Heating									
						Total Capacity						Input (W)			
												Min	Rated		Max
Unit-A	Unit-B	Unit-C	Unit-D	Unit-E	Total	Btu/h	kW	Btu/h	kW	Btu/h	kW	Min	Rated	Max	
1 Unit Operation															
5	-	-	-	-	5	4,000	1.17	5,500	1.61	6,325	1.85	279	384	589	
7	-	-	-	-	7	5,040	1.48	8,400	2.46	9,660	2.83	342	579	743	
9	-	-	-	-	9	6,480	1.90	10,800	3.17	12,420	3.64	483	757	997	
12	-	-	-	-	12	7,920	2.32	13,200	3.87	15,180	4.45	537	954	1,234	
15	-	-	-	-	15	9,900	2.90	16,500	4.84	18,975	5.56	688	1,189	1,593	
18	-	-	-	-	18	11,880	3.48	19,800	5.80	22,770	6.67	845	1,483	1,978	
2 Units Operation															
5	5	-	-	-	10	7,200	2.11	12,000	3.52	14,400	4.22	329	598	861	
5	7	-	-	-	12	8,640	2.53	14,400	4.22	17,280	5.06	430	904	1,301	
5	9	-	-	-	14	10,080	2.95	16,800	4.92	20,160	5.91	484	945	1,360	
7	7	-	-	-	14	10,080	2.95	16,800	4.92	20,160	5.91	484	945	1,360	
7	9	-	-	-	16	11,520	3.38	19,200	5.63	23,040	6.75	540	1,118	1,610	
5	12	-	-	-	17	12,240	3.59	20,400	5.98	24,480	7.17	598	1,319	1,899	
9	9	-	-	-	18	12,960	3.80	21,600	6.33	25,920	7.60	660	1,430	2,059	
7	12	-	-	-	19	13,680	4.01	22,800	6.68	26,600	7.80	725	1,543	2,221	
5	15	-	-	-	20	14,400	4.22	24,000	7.03	26,600	7.80	764	1,662	2,380	
9	12	-	-	-	21	14,400	4.22	24,000	7.03	26,600	7.80	764	1,662	2,380	
7	15	-	-	-	22	14,400	4.22	24,000	7.03	26,600	7.80	764	1,662	2,380	
5	18	-	-	-	23	14,400	4.22	24,000	7.03	26,600	7.80	764	1,662	2,380	
9	15	-	-	-	24	14,400	4.22	24,000	7.03	26,600	7.80	764	1,662	2,380	
12	12	-	-	-	24	14,400	4.22	24,000	7.03	26,600	7.80	764	1,662	2,380	
7	18	-	-	-	25	14,400	4.22	24,000	7.03	26,600	7.80	764	1,662	2,380	
9	18	-	-	-	27	14,400	4.22	24,000	7.03	26,600	7.80	764	1,662	2,380	
12	15	-	-	-	27	14,400	4.22	24,000	7.03	26,600	7.80	764	1,662	2,380	
5	24	-	-	-	29	14,400	4.22	24,000	7.03	26,600	7.80	764	1,662	2,380	
12	18	-	-	-	30	14,400	4.22	24,000	7.03	26,600	7.80	764	1,662	2,380	
15	15	-	-	-	30	14,400	4.22	24,000	7.03	26,600	7.80	764	1,662	2,380	
7	24	-	-	-	31	14,400	4.22	24,000	7.03	26,600	7.80	764	1,662	2,380	
9	24	-	-	-	33	14,400	4.22	24,000	7.03	26,600	7.80	764	1,662	2,380	
15	18	-	-	-	33	14,400	4.22	24,000	7.03	26,600	7.80	764	1,662	2,380	
3 Units Operation															
5	5	5	-	-	15	10,800	3.17	18,000	5.28	21,600	6.33	497	946	1,363	
5	5	7	-	-	17	12,240	3.59	20,400	5.98	24,480	7.17	551	1,118	1,610	
5	5	9	-	-	19	13,680	4.01	22,800	6.68	26,600	7.80	725	1,419	2,044	
5	7	7	-	-	19	13,680	4.01	22,800	6.68	26,600	7.80	725	1,419	2,044	
5	7	9	-	-	21	14,400	4.22	24,000	7.03	26,600	7.80	730	1,529	2,202	
7	7	7	-	-	21	14,400	4.22	24,000	7.03	26,600	7.80	730	1,529	2,202	
5	5	12	-	-	22	14,400	4.22	24,000	7.03	26,600	7.80	730	1,529	2,202	
5	9	9	-	-	23	14,400	4.22	24,000	7.03	26,600	7.80	730	1,529	2,202	
7	7	9	-	-	23	14,400	4.22	24,000	7.03	26,600	7.80	730	1,529	2,202	
5	7	12	-	-	24	14,400	4.22	24,000	7.03	26,600	7.80	730	1,529	2,202	
5	5	15	-	-	25	14,400	4.22	24,000	7.03	26,600	7.80	730	1,529	2,202	
7	9	9	-	-	25	14,400	4.22	24,000	7.03	26,600	7.80	730	1,529	2,202	
5	9	12	-	-	26	14,400	4.22	24,000	7.03	26,600	7.80	730	1,529	2,202	
7	7	12	-	-	26	14,400	4.22	24,000	7.03	26,600	7.80	730	1,529	2,202	
5	7	15	-	-	27	14,400	4.22	24,000	7.03	26,600	7.80	730	1,529	2,202	
9	9	9	-	-	27	14,400	4.22	24,000	7.03	26,600	7.80	730	1,529	2,202	
5	5	18	-	-	28	14,400	4.22	24,000	7.03	26,600	7.80	730	1,529	2,202	
7	9	12	-	-	28	14,400	4.22	24,000	7.03	26,600	7.80	730	1,529	2,202	
5	9	15	-	-	29	14,400	4.22	24,000	7.03	26,600	7.80	730	1,529	2,202	
5	12	12	-	-	29	14,400	4.22	24,000	7.03	26,600	7.80	730	1,529	2,202	
7	7	15	-	-	29	14,400	4.22	24,000	7.03	26,600	7.80	730	1,529	2,202	
5	7	18	-	-	30	14,400	4.22	24,000	7.03	26,600	7.80	730	1,529	2,202	
9	9	12	-	-	30	14,400	4.22	24,000	7.03	26,600	7.80	730	1,529	2,202	
7	9	15	-	-	31	14,400	4.22	24,000	7.03	26,600	7.80	730	1,529	2,202	
7	12	12	-	-	31	14,400	4.22	24,000	7.03	26,600	7.80	730	1,529	2,202	
5	12	15	-	-	32	14,400	4.22	24,000	7.03	26,600	7.80	730	1,529	2,202	
5	9	18	-	-	32	14,400	4.22	24,000	7.03	26,600	7.80	730	1,529	2,202	
7	7	18	-	-	32	14,400	4.22	24,000	7.03	26,600	7.80	730	1,529	2,202	
9	9	15	-	-	33	14,400	4.22	24,000	7.03	26,600	7.80	730	1,529	2,202	
9	12	12	-	-	33	14,400	4.22	24,000	7.03	26,600	7.80	730	1,529	2,202	

Note

1. Capacities are based on the following conditions :

- Cooling : Indoor Ambient Temp. 27°CDB/19°CWB, Outdoor Ambient Temp. 35°CDB/24°CWB
- Heating : Indoor Ambient Temp. 20°CDB / 15°CWB, Outdoor Ambient Temp. 7°CDB / 6°CWB
- Interconnected piping is standard length and difference of Elevation (Outdoor ~ Indoor Unit) is 0 m.

2. At least two indoor units should be connected. And minimum limit of combination ratio is 40% approximately for rated capacity of outdoor unit.

3. Don't exceed the maximum connectable indoor units number, it can be found in Specifications or combination table of outdoor unit model.

4. Combination Table

4.5 Z4UW24GFA1 [MU4R25 U21]

◆ Cooling

Combination (Capacity index, kBtu/h)						Cooling									
						Total Capacity						Input (W)			
												Min	Rated	Max	Min
Unit-A	Unit-B	Unit-C	Unit-D	Unit-E	Total	Btu/h	kW	Btu/h	kW	Btu/h	kW	Min	Rated	Max	
1 Unit Operation															
5	-	-	-	-	5	3,600	1.06	5,000	1.47	6,000	1.76	288	363	571	
7	-	-	-	-	7	4,200	1.23	7,000	2.05	8,400	2.46	319	478	645	
9	-	-	-	-	9	5,400	1.58	9,000	2.64	10,800	3.17	378	595	847	
12	-	-	-	-	12	7,200	2.11	12,000	3.52	14,400	4.22	478	822	1,139	
15	-	-	-	-	15	8,520	2.50	15,000	4.40	17,040	4.99	573	1,003	1,356	
18	-	-	-	-	18	10,800	3.17	18,000	5.28	21,600	6.33	747	1,302	1,827	
24	-	-	-	-	24	14,400	4.22	24,000	7.03	25,500	7.47	1,008	1,783	2,604	
2 Units Operation															
5	5	-	-	-	10	7,200	2.11	10,000	2.93	12,000	3.52	350	532	788	
5	7	-	-	-	12	7,200	2.11	12,000	3.52	14,400	4.22	350	669	991	
5	9	-	-	-	14	8,400	2.46	14,000	4.10	16,800	4.92	408	821	1,215	
7	7	-	-	-	14	8,400	2.46	14,000	4.10	16,800	4.92	408	821	1,215	
7	9	-	-	-	16	9,600	2.81	16,000	4.69	19,200	5.63	469	991	1,467	
5	12	-	-	-	17	10,200	2.99	17,000	4.98	20,400	5.98	532	1,083	1,603	
9	9	-	-	-	18	10,800	3.17	18,000	5.28	21,600	6.33	599	1,182	1,749	
7	12	-	-	-	19	11,400	3.34	19,000	5.57	22,800	6.68	669	1,290	1,909	
5	15	-	-	-	20	12,000	3.52	20,000	5.86	24,000	7.03	669	1,406	2,080	
9	12	-	-	-	21	12,600	3.69	21,000	6.15	24,150	7.08	743	1,530	2,264	
7	15	-	-	-	22	13,200	3.87	22,000	6.45	25,300	7.42	743	1,638	2,425	
5	18	-	-	-	23	13,800	4.04	23,000	6.74	26,450	7.75	821	1,752	2,593	
9	15	-	-	-	24	14,400	4.22	24,000	7.03	27,000	7.91	904	1,871	2,770	
12	12	-	-	-	24	14,400	4.22	24,000	7.03	27,000	7.91	904	1,871	2,770	
7	18	-	-	-	25	14,400	4.22	24,000	7.03	27,000	7.91	904	1,871	2,770	
9	18	-	-	-	27	14,400	4.22	24,000	7.03	27,000	7.91	904	1,871	2,770	
12	15	-	-	-	27	14,400	4.22	24,000	7.03	27,000	7.91	904	1,871	2,770	
5	24	-	-	-	29	14,400	4.22	24,000	7.03	27,000	7.91	904	1,871	2,770	
12	18	-	-	-	30	14,400	4.22	24,000	7.03	27,000	7.91	904	1,871	2,770	
15	15	-	-	-	30	14,400	4.22	24,000	7.03	27,000	7.91	904	1,871	2,770	
7	24	-	-	-	31	14,400	4.22	24,000	7.03	27,000	7.91	904	1,871	2,770	
9	24	-	-	-	33	14,400	4.22	24,000	7.03	27,000	7.91	904	1,871	2,770	
15	18	-	-	-	33	14,400	4.22	24,000	7.03	27,000	7.91	904	1,871	2,770	
18	18	-	-	-	36	14,400	4.22	24,000	7.03	27,000	7.91	904	1,871	2,770	
12	24	-	-	-	36	14,400	4.22	24,000	7.03	27,000	7.91	904	1,871	2,770	
15	24	-	-	-	39	14,400	4.22	24,000	7.03	27,000	7.91	904	1,871	2,770	
3 Units Operation															
5	5	5	-	-	15	9,000	2.64	15,000	4.40	18,000	5.28	422	837	1,239	
5	5	7	-	-	17	10,200	2.99	17,000	4.98	20,400	5.98	481	1,013	1,500	
5	5	9	-	-	19	11,400	3.34	19,000	5.57	22,800	6.68	544	1,212	1,794	
5	7	7	-	-	19	11,400	3.34	19,000	5.57	22,800	6.68	544	1,212	1,794	
5	7	9	-	-	21	12,600	3.69	21,000	6.15	25,200	7.39	682	1,438	2,128	
7	7	7	-	-	21	12,600	3.69	21,000	6.15	25,200	7.39	682	1,438	2,128	
5	5	12	-	-	22	13,200	3.87	22,000	6.45	26,400	7.74	731	1,540	2,279	
5	9	9	-	-	23	13,800	4.04	23,000	6.74	27,600	8.09	731	1,647	2,437	
7	7	9	-	-	23	13,800	4.04	23,000	6.74	27,600	8.09	731	1,647	2,437	
5	7	12	-	-	24	14,400	4.22	24,000	7.03	29,000	8.50	837	1,758	2,603	
5	5	15	-	-	25	14,400	4.22	24,000	7.03	29,000	8.50	837	1,758	2,603	
7	9	9	-	-	25	14,400	4.22	24,000	7.03	29,000	8.50	837	1,758	2,603	
5	9	12	-	-	26	14,400	4.22	24,000	7.03	29,000	8.50	837	1,758	2,603	
7	7	12	-	-	26	14,400	4.22	24,000	7.03	29,000	8.50	837	1,758	2,603	
5	7	15	-	-	27	14,400	4.22	24,000	7.03	29,000	8.50	837	1,758	2,603	
9	9	9	-	-	27	14,400	4.22	24,000	7.03	29,000	8.50	837	1,758	2,603	
7	9	12	-	-	28	14,400	4.22	24,000	7.03	29,000	8.50	837	1,758	2,603	
5	5	18	-	-	28	14,400	4.22	24,000	7.03	29,000	8.50	837	1,758	2,603	
5	9	15	-	-	29	14,400	4.22	24,000	7.03	29,000	8.50	837	1,758	2,603	
5	12	12	-	-	29	14,400	4.22	24,000	7.03	29,000	8.50	837	1,758	2,603	
7	7	15	-	-	29	14,400	4.22	24,000	7.03	29,000	8.50	837	1,758	2,603	
5	7	18	-	-	30	14,400	4.22	24,000	7.03	29,000	8.50	837	1,758	2,603	
9	9	12	-	-	30	14,400	4.22	24,000	7.03	29,000	8.50	837	1,758	2,603	

Note

- Capacities are based on the following conditions :
 - Cooling : Indoor Ambient Temp. 27°CDB/19°CWB, Outdoor Ambient Temp. 35°CDB/24°CWB
 - Heating : Indoor Ambient Temp. 20°CDB / 15°CWB, Outdoor Ambient Temp. 7°CDB / 6°CWB
 - Interconnected piping is standard length and difference of Elevation (Outdoor ~ Indoor Unit) is 0 m.
- At least two indoor units should be connected. And minimum limit of combination ratio is 40% approximately for rated capacity of outdoor unit.
- Don't exceed the maximum connectable indoor units number, it can be found in Specifications or combination table of outdoor unit model.

4. Combination Table

Combination (Capacity index, kBTU/h)						Cooling									
						Total Capacity						Input (W)			
												Min	Rated	Max	Min
Unit-A	Unit-B	Unit-C	Unit-D	Unit-E	Total	Btu/h	kW	Btu/h	kW	Btu/h	kW	Min	Rated	Max	
7	9	15	-	-	31	14,400	4.22	24,000	7.03	29,000	8.50	837	1,758	2,603	
7	12	12	-	-	31	14,400	4.22	24,000	7.03	29,000	8.50	837	1,758	2,603	
5	12	15	-	-	32	14,400	4.22	24,000	7.03	29,000	8.50	837	1,758	2,603	
5	9	18	-	-	32	14,400	4.22	24,000	7.03	29,000	8.50	837	1,758	2,603	
7	7	18	-	-	32	14,400	4.22	24,000	7.03	29,000	8.50	837	1,758	2,603	
9	9	15	-	-	33	14,400	4.22	24,000	7.03	29,000	8.50	837	1,758	2,603	
9	12	12	-	-	33	14,400	4.22	24,000	7.03	29,000	8.50	837	1,758	2,603	
7	9	18	-	-	34	14,400	4.22	24,000	7.03	29,000	8.50	837	1,758	2,603	
7	12	15	-	-	34	14,400	4.22	24,000	7.03	29,000	8.50	837	1,758	2,603	
5	5	24	-	-	34	14,400	4.22	24,000	7.03	29,000	8.50	837	1,758	2,603	
5	12	18	-	-	35	14,400	4.22	24,000	7.03	29,000	8.50	837	1,758	2,603	
5	15	15	-	-	35	14,400	4.22	24,000	7.03	29,000	8.50	837	1,758	2,603	
5	7	24	-	-	36	14,400	4.22	24,000	7.03	29,000	8.50	837	1,758	2,603	
9	12	15	-	-	36	14,400	4.22	24,000	7.03	29,000	8.50	837	1,758	2,603	
12	12	12	-	-	36	14,400	4.22	24,000	7.03	29,000	8.50	837	1,758	2,603	
9	9	18	-	-	36	14,400	4.22	24,000	7.03	29,000	8.50	837	1,758	2,603	
7	12	18	-	-	37	14,400	4.22	24,000	7.03	29,000	8.50	837	1,758	2,603	
7	15	15	-	-	37	14,400	4.22	24,000	7.03	29,000	8.50	837	1,758	2,603	
5	9	24	-	-	38	14,400	4.22	24,000	7.03	29,000	8.50	837	1,758	2,603	
5	15	18	-	-	38	14,400	4.22	24,000	7.03	29,000	8.50	837	1,758	2,603	
7	7	24	-	-	38	14,400	4.22	24,000	7.03	29,000	8.50	837	1,758	2,603	
9	12	18	-	-	39	14,400	4.22	24,000	7.03	29,000	8.50	837	1,758	2,603	
9	15	15	-	-	39	14,400	4.22	24,000	7.03	29,000	8.50	837	1,758	2,603	
12	12	15	-	-	39	14,400	4.22	24,000	7.03	29,000	8.50	837	1,758	2,603	
4 Units Operation															
5	5	5	5	-	20	12,000	3.52	20,000	5.86	24,000	7.03	592	1,265	1,872	
5	5	5	7	-	22	13,200	3.87	22,000	6.45	29,000	8.50	659	1,495	2,212	
5	5	5	9	-	24	14,400	4.22	24,000	7.03	29,000	8.50	731	1,758	2,603	
5	5	7	7	-	24	14,400	4.22	24,000	7.03	29,000	8.50	731	1,758	2,603	
5	5	7	9	-	26	14,400	4.22	24,000	7.03	29,000	8.50	731	1,758	2,603	
5	7	7	7	-	26	14,400	4.22	24,000	7.03	29,000	8.50	731	1,758	2,603	
5	5	5	12	-	27	14,400	4.22	24,000	7.03	29,000	8.50	731	1,758	2,603	
5	5	9	9	-	28	14,400	4.22	24,000	7.03	29,000	8.50	731	1,758	2,603	
5	7	7	9	-	28	14,400	4.22	24,000	7.03	29,000	8.50	731	1,758	2,603	
7	7	7	7	-	28	14,400	4.22	24,000	7.03	29,000	8.50	731	1,758	2,603	
5	5	7	12	-	29	14,400	4.22	24,000	7.03	29,000	8.50	731	1,758	2,603	
5	5	5	15	-	30	14,400	4.22	24,000	7.03	29,000	8.50	731	1,758	2,603	
5	7	9	9	-	30	14,400	4.22	24,000	7.03	29,000	8.50	731	1,758	2,603	
7	7	7	9	-	30	14,400	4.22	24,000	7.03	29,000	8.50	731	1,758	2,603	
5	5	9	12	-	31	14,400	4.22	24,000	7.03	29,000	8.50	731	1,758	2,603	
5	7	7	12	-	31	14,400	4.22	24,000	7.03	29,000	8.50	731	1,758	2,603	
5	5	7	15	-	32	14,400	4.22	24,000	7.03	29,000	8.50	731	1,758	2,603	
7	7	9	9	-	32	14,400	4.22	24,000	7.03	29,000	8.50	731	1,758	2,603	
5	9	9	9	-	32	14,400	4.22	24,000	7.03	29,000	8.50	731	1,758	2,603	
5	5	5	18	-	33	14,400	4.22	24,000	7.03	29,000	8.50	731	1,758	2,603	
5	7	9	12	-	33	14,400	4.22	24,000	7.03	29,000	8.50	731	1,758	2,603	
7	7	7	12	-	33	14,400	4.22	24,000	7.03	29,000	8.50	731	1,758	2,603	
5	5	9	15	-	34	14,400	4.22	24,000	7.03	29,000	8.50	731	1,758	2,603	
5	5	12	12	-	34	14,400	4.22	24,000	7.03	29,000	8.50	731	1,758	2,603	
5	7	7	15	-	34	14,400	4.22	24,000	7.03	29,000	8.50	731	1,758	2,603	
7	9	9	9	-	34	14,400	4.22	24,000	7.03	29,000	8.50	731	1,758	2,603	
5	5	7	18	-	35	14,400	4.22	24,000	7.03	29,000	8.50	731	1,758	2,603	
5	9	9	12	-	35	14,400	4.22	24,000	7.03	29,000	8.50	731	1,758	2,603	
7	7	9	12	-	35	14,400	4.22	24,000	7.03	29,000	8.50	731	1,758	2,603	
5	7	9	15	-	36	14,400	4.22	24,000	7.03	29,000	8.50	731	1,758	2,603	
5	7	12	12	-	36	14,400	4.22	24,000	7.03	29,000	8.50	731	1,758	2,603	
7	7	7	15	-	36	14,400	4.22	24,000	7.03	29,000	8.50	731	1,758	2,603	
9	9	9	9	-	36	14,400	4.22	24,000	7.03	29,000	8.50	731	1,758	2,603	
5	5	9	18	-	37	14,400	4.22	24,000	7.03	29,000	8.50	731	1,758	2,603	
5	5	12	15	-	37	14,400	4.22	24,000	7.03	29,000	8.50	731	1,758	2,603	
5	7	7	18	-	37	14,400	4.22	24,000	7.03	29,000	8.50	731	1,758	2,603	
7	9	9	12	-	37	14,400	4.22	24,000	7.03	29,000	8.50	731	1,758	2,603	
5	9	9	15	-	38	14,400	4.22	24,000	7.03	29,000	8.50	731	1,758	2,603	
7	7	9	15	-	38	14,400	4.22	24,000	7.03	29,000	8.50	731	1,758	2,603	

Note

- Capacities are based on the following conditions :
 - Cooling : Indoor Ambient Temp. 27°CDB/19°CWB, Outdoor Ambient Temp. 35°CDB/24°CWB
 - Heating : Indoor Ambient Temp. 20°CDB / 15°CWB, Outdoor Ambient Temp. 7°CDB / 6°CWB
 - Interconnected piping is standard length and difference of Elevation (Outdoor ~ Indoor Unit) is 0 m.
- At least two indoor units should be connected. And minimum limit of combination ratio is 40% approximately for rated capacity of outdoor unit.
- Don't exceed the maximum connectable indoor units number, it can be found in Specifications or combination table of outdoor unit model.

4. Combination Table

Combination (Capacity index, kBtu/h)						Cooling								
						Total Capacity						Input (W)		
						Min		Rated		Max				
Unit-A	Unit-B	Unit-C	Unit-D	Unit-E	Total	Btu/h	kW	Btu/h	kW	Btu/h	kW	Min	Rated	Max
7	7	12	12	-	38	14,400	4.22	24,000	7.03	29,000	8.50	731	1,758	2,603
5	5	5	24	-	39	14,400	4.22	24,000	7.03	29,000	8.50	731	1,758	2,603
5	7	9	18	-	39	14,400	4.22	24,000	7.03	29,000	8.50	731	1,758	2,603
5	7	12	15	-	39	14,400	4.22	24,000	7.03	29,000	8.50	731	1,758	2,603
9	9	9	12	-	39	14,400	4.22	24,000	7.03	29,000	8.50	731	1,758	2,603
7	7	7	18	-	39	14,400	4.22	24,000	7.03	29,000	8.50	731	1,758	2,603

Note

1. Capacities are based on the following conditions :

- Cooling : Indoor Ambient Temp. 27°CDB/19°CWB, Outdoor Ambient Temp. 35°CDB/24°CWB
- Heating : Indoor Ambient Temp. 20°CDB / 15°CWB, Outdoor Ambient Temp. 7°CDB / 6°CWB
- Interconnected piping is standard length and difference of Elevation (Outdoor ~ Indoor Unit) is 0 m.

2. At least two indoor units should be connected. And minimum limit of combination ratio is 40% approximately for rated capacity of outdoor unit.

3. Don't exceed the maximum connectable indoor units number, it can be found in Specifications or combination table of outdoor unit model.

4. Combination Table

◆ Heating

Combination (Capacity index, kBtu/h)						Heating								
						Total Capacity						Input (W)		
Unit-A	Unit-B	Unit-C	Unit-D	Unit-E	Total	Min		Rated		Max		Min	Rated	Max
						Btu/h	kW	Btu/h	kW	Btu/h	kW			
1 Unit Operation														
5	-	-	-	-	5	4,000	1.17	5,500	1.61	6,325	1.85	279	384	589
7	-	-	-	-	7	5,040	1.48	8,400	2.46	9,660	2.83	342	579	743
9	-	-	-	-	9	6,480	1.90	10,800	3.17	12,420	3.64	483	757	997
12	-	-	-	-	12	7,920	2.32	13,200	3.87	15,180	4.45	537	954	1,234
15	-	-	-	-	15	9,900	2.90	16,500	4.84	18,975	5.56	688	1,189	1,593
18	-	-	-	-	18	11,880	3.48	19,800	5.80	22,770	6.67	845	1,483	1,978
24	-	-	-	-	24	15,240	4.47	25,400	7.44	26,670	7.82	1,101	1,840	2,327
2 Units Operation														
5	5	-	-	-	10	7,200	2.11	12,000	3.52	14,400	4.22	329	598	861
5	7	-	-	-	12	8,640	2.53	14,400	4.22	17,280	5.06	430	904	1,301
5	9	-	-	-	14	10,080	2.95	16,800	4.92	20,160	5.91	484	945	1,360
7	7	-	-	-	14	10,080	2.95	16,800	4.92	20,160	5.91	484	945	1,360
7	9	-	-	-	16	11,520	3.38	19,200	5.63	23,040	6.75	540	1,118	1,610
5	12	-	-	-	17	12,240	3.59	20,400	5.98	24,480	7.17	598	1,319	1,899
9	9	-	-	-	18	12,960	3.80	21,600	6.33	25,920	7.60	660	1,430	2,059
7	12	-	-	-	19	13,680	4.01	22,800	6.68	27,360	8.02	725	1,543	2,221
5	15	-	-	-	20	14,400	4.22	24,000	7.03	28,800	8.44	764	1,662	2,393
9	12	-	-	-	21	15,120	4.43	25,200	7.39	29,000	8.50	793	1,749	2,518
7	15	-	-	-	22	15,840	4.64	26,400	7.74	29,000	8.50	867	1,836	2,644
5	18	-	-	-	23	16,560	4.85	27,600	8.09	29,000	8.50	945	1,977	2,850
9	15	-	-	-	24	16,560	4.85	27,600	8.09	29,000	8.50	945	1,977	2,850
12	12	-	-	-	24	16,560	4.85	27,600	8.09	29,000	8.50	945	1,977	2,850
7	18	-	-	-	25	16,560	4.85	27,600	8.09	29,000	8.50	945	1,977	2,850
9	18	-	-	-	27	16,560	4.85	27,600	8.09	29,000	8.50	945	1,977	2,850
12	15	-	-	-	27	16,560	4.85	27,600	8.09	29,000	8.50	945	1,977	2,850
5	24	-	-	-	29	16,560	4.85	27,600	8.09	29,000	8.50	945	1,977	2,850
12	18	-	-	-	30	16,560	4.85	27,600	8.09	29,000	8.50	945	1,977	2,850
15	15	-	-	-	30	16,560	4.85	27,600	8.09	29,000	8.50	945	1,977	2,850
7	24	-	-	-	31	16,560	4.85	27,600	8.09	29,000	8.50	945	1,977	2,850
9	24	-	-	-	33	16,560	4.85	27,600	8.09	29,000	8.50	945	1,977	2,850
15	18	-	-	-	33	16,560	4.85	27,600	8.09	29,000	8.50	945	1,977	2,850
18	18	-	-	-	36	16,560	4.85	27,600	8.09	29,000	8.50	945	1,977	2,850
12	24	-	-	-	36	16,560	4.85	27,600	8.09	29,000	8.50	945	1,977	2,850
15	24	-	-	-	39	16,560	4.85	27,600	8.09	29,000	8.50	945	1,977	2,850
3 Units Operation														
5	5	5	-	-	15	10,800	3.17	18,000	5.28	21,600	6.33	497	946	1,363
5	5	7	-	-	17	12,240	3.59	20,400	5.98	24,480	7.17	551	1,118	1,610
5	5	9	-	-	19	13,680	4.01	22,800	6.68	27,360	8.02	725	1,419	2,044
5	7	7	-	-	19	13,680	4.01	22,800	6.68	27,360	8.02	725	1,419	2,044
5	7	9	-	-	21	15,120	4.43	25,200	7.39	30,240	8.86	730	1,610	2,319
7	7	7	-	-	21	15,120	4.43	25,200	7.39	30,240	8.86	730	1,610	2,319
5	5	12	-	-	22	15,840	4.64	26,400	7.74	31,000	9.09	798	1,697	2,444
5	9	9	-	-	23	16,560	4.85	27,600	8.09	31,000	9.09	870	1,838	2,647
7	7	9	-	-	23	16,560	4.85	27,600	8.09	31,000	9.09	870	1,838	2,647
5	7	12	-	-	24	16,560	4.85	27,600	8.09	31,000	9.09	870	1,838	2,647
5	5	15	-	-	25	16,560	4.85	27,600	8.09	31,000	9.09	870	1,838	2,647
7	9	9	-	-	25	16,560	4.85	27,600	8.09	31,000	9.09	870	1,838	2,647
5	9	12	-	-	26	16,560	4.85	27,600	8.09	31,000	9.09	870	1,838	2,647
7	7	12	-	-	26	16,560	4.85	27,600	8.09	31,000	9.09	870	1,838	2,647
5	7	15	-	-	27	16,560	4.85	27,600	8.09	31,000	9.09	870	1,838	2,647
9	9	9	-	-	27	16,560	4.85	27,600	8.09	31,000	9.09	870	1,838	2,647
7	9	12	-	-	28	16,560	4.85	27,600	8.09	31,000	9.09	870	1,838	2,647
5	5	18	-	-	28	16,560	4.85	27,600	8.09	31,000	9.09	870	1,838	2,647
5	9	15	-	-	29	16,560	4.85	27,600	8.09	31,000	9.09	870	1,838	2,647
5	12	12	-	-	29	16,560	4.85	27,600	8.09	31,000	9.09	870	1,838	2,647
7	7	15	-	-	29	16,560	4.85	27,600	8.09	31,000	9.09	870	1,838	2,647
5	7	18	-	-	30	16,560	4.85	27,600	8.09	31,000	9.09	870	1,838	2,647
9	9	12	-	-	30	16,560	4.85	27,600	8.09	31,000	9.09	870	1,838	2,647
7	9	15	-	-	31	16,560	4.85	27,600	8.09	31,000	9.09	870	1,838	2,647
7	12	12	-	-	31	16,560	4.85	27,600	8.09	31,000	9.09	870	1,838	2,647
5	12	15	-	-	32	16,560	4.85	27,600	8.09	31,000	9.09	870	1,838	2,647
5	9	18	-	-	32	16,560	4.85	27,600	8.09	31,000	9.09	870	1,838	2,647

Note

- Capacities are based on the following conditions :
 - Cooling : Indoor Ambient Temp. 27°CDB/19°CWB, Outdoor Ambient Temp. 35°CDB/24°CWB
 - Heating : Indoor Ambient Temp. 20°CDB / 15°CWB, Outdoor Ambient Temp. 7°CDB / 6°CWB
 - Interconnected piping is standard length and difference of Elevation (Outdoor ~ Indoor Unit) is 0 m.
- At least two indoor units should be connected. And minimum limit of combination ratio is 40% approximately for rated capacity of outdoor unit.
- Don't exceed the maximum connectable indoor units number, it can be found in Specifications or combination table of outdoor unit model.

4. Combination Table

Combination (Capacity index, kBtu/h)						Heating								
						Total Capacity						Input (W)		
												Min	Rated	Max
Unit-A	Unit-B	Unit-C	Unit-D	Unit-E	Total	Btu/h	kW	Btu/h	kW	Btu/h	kW	Min	Rated	Max
7	7	18	-	-	32	16,560	4.85	27,600	8.09	31,000	9.09	870	1,838	2,647
9	9	15	-	-	33	16,560	4.85	27,600	8.09	31,000	9.09	870	1,838	2,647
9	12	12	-	-	33	16,560	4.85	27,600	8.09	31,000	9.09	870	1,838	2,647
7	9	18	-	-	34	16,560	4.85	27,600	8.09	31,000	9.09	870	1,838	2,647
7	12	15	-	-	34	16,560	4.85	27,600	8.09	31,000	9.09	870	1,838	2,647
5	5	24	-	-	34	16,560	4.85	27,600	8.09	31,000	9.09	870	1,838	2,647
5	12	18	-	-	35	16,560	4.85	27,600	8.09	31,000	9.09	870	1,838	2,647
5	15	15	-	-	35	16,560	4.85	27,600	8.09	31,000	9.09	870	1,838	2,647
5	7	24	-	-	36	16,560	4.85	27,600	8.09	31,000	9.09	870	1,838	2,647
9	12	15	-	-	36	16,560	4.85	27,600	8.09	31,000	9.09	870	1,838	2,647
12	12	12	-	-	36	16,560	4.85	27,600	8.09	31,000	9.09	870	1,838	2,647
9	9	18	-	-	36	16,560	4.85	27,600	8.09	31,000	9.09	870	1,838	2,647
7	12	18	-	-	37	16,560	4.85	27,600	8.09	31,000	9.09	870	1,838	2,647
7	15	15	-	-	37	16,560	4.85	27,600	8.09	31,000	9.09	870	1,838	2,647
5	9	24	-	-	38	16,560	4.85	27,600	8.09	31,000	9.09	870	1,838	2,647
5	15	18	-	-	38	16,560	4.85	27,600	8.09	31,000	9.09	870	1,838	2,647
7	7	24	-	-	38	16,560	4.85	27,600	8.09	31,000	9.09	870	1,838	2,647
9	12	18	-	-	39	16,560	4.85	27,600	8.09	31,000	9.09	870	1,838	2,647
9	15	15	-	-	39	16,560	4.85	27,600	8.09	31,000	9.09	870	1,838	2,647
12	12	15	-	-	39	16,560	4.85	27,600	8.09	31,000	9.09	870	1,838	2,647
4 Units Operation														
5	5	5	5	-	20	14,400	4.22	24,000	7.03	28,800	8.44	700	1,418	2,041
5	5	5	7	-	22	15,840	4.64	26,400	7.74	31,000	9.09	795	1,625	2,339
5	5	5	9	-	24	16,560	4.85	27,600	8.09	31,000	9.09	832	1,838	2,647
5	5	7	7	-	24	16,560	4.85	27,600	8.09	31,000	9.09	832	1,838	2,647
5	5	7	9	-	26	16,560	4.85	27,600	8.09	31,000	9.09	832	1,838	2,647
5	7	7	7	-	26	16,560	4.85	27,600	8.09	31,000	9.09	832	1,838	2,647
5	5	5	12	-	27	16,560	4.85	27,600	8.09	31,000	9.09	832	1,838	2,647
5	5	9	9	-	28	16,560	4.85	27,600	8.09	31,000	9.09	832	1,838	2,647
5	7	7	9	-	28	16,560	4.85	27,600	8.09	31,000	9.09	832	1,838	2,647
7	7	7	7	-	28	16,560	4.85	27,600	8.09	31,000	9.09	832	1,838	2,647
5	5	7	12	-	29	16,560	4.85	27,600	8.09	31,000	9.09	832	1,838	2,647
5	5	5	15	-	30	16,560	4.85	27,600	8.09	31,000	9.09	832	1,838	2,647
5	7	9	9	-	30	16,560	4.85	27,600	8.09	31,000	9.09	832	1,838	2,647
7	7	7	9	-	30	16,560	4.85	27,600	8.09	31,000	9.09	832	1,838	2,647
5	5	9	12	-	31	16,560	4.85	27,600	8.09	31,000	9.09	832	1,838	2,647
5	7	7	12	-	31	16,560	4.85	27,600	8.09	31,000	9.09	832	1,838	2,647
5	5	7	15	-	32	16,560	4.85	27,600	8.09	31,000	9.09	832	1,838	2,647
7	7	9	9	-	32	16,560	4.85	27,600	8.09	31,000	9.09	832	1,838	2,647
5	9	9	9	-	32	16,560	4.85	27,600	8.09	31,000	9.09	832	1,838	2,647
5	5	5	18	-	33	16,560	4.85	27,600	8.09	31,000	9.09	832	1,838	2,647
5	7	9	12	-	33	16,560	4.85	27,600	8.09	31,000	9.09	832	1,838	2,647
7	7	7	12	-	33	16,560	4.85	27,600	8.09	31,000	9.09	832	1,838	2,647
5	5	9	15	-	34	16,560	4.85	27,600	8.09	31,000	9.09	832	1,838	2,647
5	5	12	12	-	34	16,560	4.85	27,600	8.09	31,000	9.09	832	1,838	2,647
5	7	7	15	-	34	16,560	4.85	27,600	8.09	31,000	9.09	832	1,838	2,647
7	9	9	9	-	34	16,560	4.85	27,600	8.09	31,000	9.09	832	1,838	2,647
5	5	7	18	-	35	16,560	4.85	27,600	8.09	31,000	9.09	832	1,838	2,647
5	9	9	12	-	35	16,560	4.85	27,600	8.09	31,000	9.09	832	1,838	2,647
7	7	9	12	-	35	16,560	4.85	27,600	8.09	31,000	9.09	832	1,838	2,647
5	7	9	15	-	36	16,560	4.85	27,600	8.09	31,000	9.09	832	1,838	2,647
5	7	12	12	-	36	16,560	4.85	27,600	8.09	31,000	9.09	832	1,838	2,647
7	7	7	15	-	36	16,560	4.85	27,600	8.09	31,000	9.09	832	1,838	2,647
9	9	9	9	-	36	16,560	4.85	27,600	8.09	31,000	9.09	832	1,838	2,647
5	5	9	18	-	37	16,560	4.85	27,600	8.09	31,000	9.09	832	1,838	2,647
5	5	12	15	-	37	16,560	4.85	27,600	8.09	31,000	9.09	832	1,838	2,647
5	7	7	18	-	37	16,560	4.85	27,600	8.09	31,000	9.09	832	1,838	2,647
7	9	9	12	-	37	16,560	4.85	27,600	8.09	31,000	9.09	832	1,838	2,647
5	9	9	15	-	38	16,560	4.85	27,600	8.09	31,000	9.09	832	1,838	2,647
7	7	9	15	-	38	16,560	4.85	27,600	8.09	31,000	9.09	832	1,838	2,647
7	7	12	12	-	38	16,560	4.85	27,600	8.09	31,000	9.09	832	1,838	2,647
5	5	5	24	-	39	16,560	4.85	27,600	8.09	31,000	9.09	832	1,838	2,647
5	7	9	18	-	39	16,560	4.85	27,600	8.09	31,000	9.09	832	1,838	2,647
5	7	12	15	-	39	16,560	4.85	27,600	8.09	31,000	9.09	832	1,838	2,647

Note

- Capacities are based on the following conditions :
 - Cooling : Indoor Ambient Temp. 27°CDB/19°CWB, Outdoor Ambient Temp. 35°CDB/24°CWB
 - Heating : Indoor Ambient Temp. 20°CDB / 15°CWB, Outdoor Ambient Temp. 7°CDB / 6°CWB
 - Interconnected piping is standard length and difference of Elevation (Outdoor ~ Indoor Unit) is 0 m.
- At least two indoor units should be connected. And minimum limit of combination ratio is 40% approximately for rated capacity of outdoor unit.
- Don't exceed the maximum connectable indoor units number, it can be found in Specifications or combination table of outdoor unit model.

4. Combination Table

Combination (Capacity index, kBtu/h)						Heating								
						Total Capacity						Input (W)		
						Min		Rated		Max				
Unit-A	Unit-B	Unit-C	Unit-D	Unit-E	Total	Btu/h	kW	Btu/h	kW	Btu/h	kW	Min	Rated	Max
9	9	9	12	-	39	16,560	4.85	27,600	8.09	31,000	9.09	832	1,838	2,647
7	7	7	18	-	39	16,560	4.85	27,600	8.09	31,000	9.09	832	1,838	2,647

Note

1. Capacities are based on the following conditions :

- Cooling : Indoor Ambient Temp. 27°CDB/19°CWB, Outdoor Ambient Temp. 35°CDB/24°CWB
- Heating : Indoor Ambient Temp. 20°CDB / 15°CWB, Outdoor Ambient Temp. 7°CDB / 6°CWB
- Interconnected piping is standard length and difference of Elevation (Outdoor ~ Indoor Unit) is 0 m.

2. At least two indoor units should be connected. And minimum limit of combination ratio is 40% approximately for rated capacity of outdoor unit.

3. Don't exceed the maximum connectable indoor units number, it can be found in Specifications or combination table of outdoor unit model.

4. Combination Table

4.6 Z4UW27GFA0 [MU4R27 U40]

◆ Cooling

Combination (Capacity index, kBtu/h)						Cooling									
						Total Capacity						Input (W)			
												Min	Rated	Max	Min
Unit-A	Unit-B	Unit-C	Unit-D	Unit-E	Total	Btu/h	kW	Btu/h	kW	Btu/h	kW	Min	Rated	Max	
1 Unit Operation															
5	-	-	-	-	5	4,500	1.32	5,000	1.47	6,000	1.76	416	418	612	
7	-	-	-	-	7	4,800	1.41	7,000	2.05	8,400	2.46	416	494	663	
9	-	-	-	-	9	5,400	1.58	9,000	2.64	10,800	3.17	416	617	861	
12	-	-	-	-	12	7,200	2.11	12,000	3.52	14,400	4.22	494	846	1,153	
15	-	-	-	-	15	8,520	2.50	14,200	4.16	17,040	4.99	592	1,029	1,395	
18	-	-	-	-	18	10,800	3.17	18,000	5.28	21,600	6.33	769	1,328	1,804	
24	-	-	-	-	24	14,400	4.22	24,000	7.03	25,500	7.47	1,029	1,815	2,536	
2 Units Operation															
5	5	-	-	-	10	6,000	1.76	10,000	2.93	12,000	3.52	378	623	853	
5	7	-	-	-	12	7,200	2.11	12,000	3.52	14,400	4.22	444	761	1,038	
5	9	-	-	-	14	8,400	2.46	14,000	4.10	16,800	4.92	533	903	1,228	
7	7	-	-	-	14	8,400	2.46	14,000	4.10	16,800	4.92	533	903	1,228	
7	9	-	-	-	16	9,600	2.81	16,000	4.69	19,200	5.63	601	1,047	1,423	
5	12	-	-	-	17	10,200	2.99	17,000	4.98	20,400	5.98	646	1,121	1,537	
9	9	-	-	-	18	10,800	3.17	18,000	5.28	21,600	6.33	692	1,195	1,623	
7	12	-	-	-	19	11,400	3.34	19,000	5.57	22,800	6.68	715	1,270	1,740	
5	15	-	-	-	20	12,000	3.52	20,000	5.86	24,000	7.03	761	1,347	1,829	
9	12	-	-	-	21	12,600	3.69	21,000	6.15	25,200	7.39	808	1,423	2,012	
7	15	-	-	-	22	13,200	3.87	22,000	6.45	26,400	7.74	855	1,475	2,154	
5	18	-	-	-	23	13,800	4.04	23,000	6.74	27,600	8.09	879	1,554	2,351	
9	15	-	-	-	24	14,400	4.22	24,000	7.03	28,800	8.44	927	1,633	2,505	
12	12	-	-	-	24	14,400	4.22	24,000	7.03	28,800	8.44	927	1,633	2,505	
7	18	-	-	-	25	15,000	4.40	25,000	7.33	30,000	8.79	975	1,755	2,721	
9	18	-	-	-	27	16,200	4.75	27,000	7.91	31,050	9.10	1,047	2,011	2,891	
12	15	-	-	-	27	16,200	4.75	27,000	7.91	31,050	9.10	1,047	2,011	2,891	
5	24	-	-	-	29	16,200	4.75	27,000	7.91	31,050	9.10	1,047	2,011	2,891	
12	18	-	-	-	30	16,200	4.75	27,000	7.91	31,050	9.10	1,047	2,011	2,891	
15	15	-	-	-	30	16,200	4.75	27,000	7.91	31,050	9.10	1,047	2,011	2,891	
7	24	-	-	-	31	16,200	4.75	27,000	7.91	31,050	9.10	1,047	2,011	2,891	
9	24	-	-	-	33	16,200	4.75	27,000	7.91	31,050	9.10	1,047	2,011	2,891	
15	18	-	-	-	33	16,200	4.75	27,000	7.91	31,050	9.10	1,047	2,011	2,891	
18	18	-	-	-	36	16,200	4.75	27,000	7.91	31,050	9.10	1,047	2,011	2,891	
12	24	-	-	-	36	16,200	4.75	27,000	7.91	31,050	9.10	1,047	2,011	2,891	
15	24	-	-	-	39	16,200	4.75	27,000	7.91	31,050	9.10	1,047	2,011	2,891	
3 Units Operation															
5	5	5	-	-	15	9,000	2.64	15,000	4.40	18,000	5.28	522	916	1,258	
5	5	7	-	-	17	10,200	2.99	17,000	4.98	20,400	5.98	607	1,054	1,445	
5	5	9	-	-	19	11,400	3.34	19,000	5.57	22,800	6.68	672	1,194	1,636	
5	7	7	-	-	19	11,400	3.34	19,000	5.57	22,800	6.68	672	1,194	1,636	
5	7	9	-	-	21	12,600	3.69	21,000	6.15	25,200	7.39	760	1,338	1,891	
7	7	7	-	-	21	12,600	3.69	21,000	6.15	25,200	7.39	760	1,338	1,891	
5	5	12	-	-	22	13,200	3.87	22,000	6.45	26,400	7.74	804	1,387	2,025	
5	9	9	-	-	23	13,800	4.04	23,000	6.74	27,600	8.09	826	1,461	2,219	
7	7	9	-	-	23	13,800	4.04	23,000	6.74	27,600	8.09	826	1,461	2,219	
5	7	12	-	-	24	14,400	4.22	24,000	7.03	28,800	8.44	871	1,535	2,379	
5	5	15	-	-	25	15,000	4.40	25,000	7.33	30,000	8.79	916	1,650	2,605	
7	9	9	-	-	25	15,000	4.40	25,000	7.33	30,000	8.79	916	1,650	2,605	
5	9	12	-	-	26	15,600	4.57	26,000	7.62	31,200	9.14	962	1,767	2,784	
7	7	12	-	-	26	15,600	4.57	26,000	7.62	31,200	9.14	962	1,767	2,784	
5	7	15	-	-	27	16,200	4.75	27,000	7.91	31,050	9.10	984	1,890	2,784	
9	9	9	-	-	27	16,200	4.75	27,000	7.91	31,050	9.10	984	1,890	2,784	
7	9	12	-	-	28	16,200	4.75	27,000	7.91	31,050	9.10	984	1,890	2,784	
5	5	18	-	-	28	16,200	4.75	27,000	7.91	31,050	9.10	984	1,890	2,784	
5	9	15	-	-	29	16,200	4.75	27,000	7.91	31,050	9.10	984	1,890	2,784	
5	12	12	-	-	29	16,200	4.75	27,000	7.91	31,050	9.10	984	1,890	2,784	
7	7	15	-	-	29	16,200	4.75	27,000	7.91	31,050	9.10	984	1,890	2,784	
5	7	18	-	-	30	16,200	4.75	27,000	7.91	31,050	9.10	984	1,890	2,784	
9	9	12	-	-	30	16,200	4.75	27,000	7.91	31,050	9.10	984	1,890	2,784	

Note

- Capacities are based on the following conditions :
 - Cooling : Indoor Ambient Temp. 27°CDB/19°CWB, Outdoor Ambient Temp. 35°CDB/24°CWB
 - Heating : Indoor Ambient Temp. 20°CDB / 15°CWB, Outdoor Ambient Temp. 7°CDB / 6°CWB
 - Interconnected piping is standard length and difference of Elevation (Outdoor ~ Indoor Unit) is 0 m.
- At least two indoor units should be connected. And minimum limit of combination ratio is 40% approximately for rated capacity of outdoor unit.
- Don't exceed the maximum connectable indoor units number, it can be found in Specifications or combination table of outdoor unit model.

4. Combination Table

Combination (Capacity index, kBTU/h)						Cooling									
						Total Capacity						Input (W)			
												Min	Rated	Max	Min
Unit-A	Unit-B	Unit-C	Unit-D	Unit-E	Total	Btu/h	kW	Btu/h	kW	Btu/h	kW	Min	Rated	Max	
7	9	15	-	-	31	16,200	4.75	27,000	7.91	31,050	9.10	984	1,890	2,784	
7	12	12	-	-	31	16,200	4.75	27,000	7.91	31,050	9.10	984	1,890	2,784	
5	12	15	-	-	32	16,200	4.75	27,000	7.91	31,050	9.10	984	1,890	2,784	
5	9	18	-	-	32	16,200	4.75	27,000	7.91	31,050	9.10	984	1,890	2,784	
7	7	18	-	-	32	16,200	4.75	27,000	7.91	31,050	9.10	984	1,890	2,784	
9	9	15	-	-	33	16,200	4.75	27,000	7.91	31,050	9.10	984	1,890	2,784	
9	12	12	-	-	33	16,200	4.75	27,000	7.91	31,050	9.10	984	1,890	2,784	
7	9	18	-	-	34	16,200	4.75	27,000	7.91	31,050	9.10	984	1,890	2,784	
7	12	15	-	-	34	16,200	4.75	27,000	7.91	31,050	9.10	984	1,890	2,784	
5	5	24	-	-	34	16,200	4.75	27,000	7.91	31,050	9.10	984	1,890	2,784	
5	12	18	-	-	35	16,200	4.75	27,000	7.91	31,050	9.10	984	1,890	2,784	
5	15	15	-	-	35	16,200	4.75	27,000	7.91	31,050	9.10	984	1,890	2,784	
5	7	24	-	-	36	16,200	4.75	27,000	7.91	31,050	9.10	984	1,890	2,784	
9	12	15	-	-	36	16,200	4.75	27,000	7.91	31,050	9.10	984	1,890	2,784	
12	12	12	-	-	36	16,200	4.75	27,000	7.91	31,050	9.10	984	1,890	2,784	
9	9	18	-	-	36	16,200	4.75	27,000	7.91	31,050	9.10	984	1,890	2,784	
7	12	18	-	-	37	16,200	4.75	27,000	7.91	31,050	9.10	984	1,890	2,784	
7	15	15	-	-	37	16,200	4.75	27,000	7.91	31,050	9.10	984	1,890	2,784	
5	9	24	-	-	38	16,200	4.75	27,000	7.91	31,050	9.10	984	1,890	2,784	
5	15	18	-	-	38	16,200	4.75	27,000	7.91	31,050	9.10	984	1,890	2,784	
7	7	24	-	-	38	16,200	4.75	27,000	7.91	31,050	9.10	984	1,890	2,784	
9	12	18	-	-	39	16,200	4.75	27,000	7.91	31,050	9.10	984	1,890	2,784	
9	15	15	-	-	39	16,200	4.75	27,000	7.91	31,050	9.10	984	1,890	2,784	
12	12	15	-	-	39	16,200	4.75	27,000	7.91	31,050	9.10	984	1,890	2,784	
7	9	24	-	-	40	16,200	4.75	27,000	7.91	31,050	9.10	984	1,890	2,784	
7	15	18	-	-	40	16,200	4.75	27,000	7.91	31,050	9.10	984	1,890	2,784	
5	12	24	-	-	41	16,200	4.75	27,000	7.91	31,050	9.10	984	1,890	2,784	
5	18	18	-	-	41	16,200	4.75	27,000	7.91	31,050	9.10	984	1,890	2,784	
4 Units Operation															
5	5	5	5	-	20	12,000	3.52	20,000	5.86	24,000	7.03	680	1,202	1,633	
5	5	5	7	-	22	13,200	3.87	22,000	6.45	26,400	7.74	764	1,317	1,923	
5	5	5	9	-	24	14,400	4.22	24,000	7.03	28,800	8.44	827	1,458	2,215	
5	5	7	7	-	24	14,400	4.22	24,000	7.03	28,800	8.44	827	1,458	2,215	
5	5	7	9	-	26	15,600	4.57	26,000	7.62	31,200	9.14	913	1,679	2,520	
5	7	7	7	-	26	15,600	4.57	26,000	7.62	31,200	9.14	913	1,679	2,520	
5	5	5	12	-	27	16,200	4.75	27,000	7.91	32,400	9.50	935	1,795	2,706	
5	5	9	9	-	28	16,200	4.75	27,000	7.91	32,400	9.50	935	1,795	2,706	
5	7	7	9	-	28	16,200	4.75	27,000	7.91	32,400	9.50	935	1,795	2,706	
7	7	7	7	-	28	16,200	4.75	27,000	7.91	32,400	9.50	935	1,795	2,706	
5	5	7	12	-	29	16,200	4.75	27,000	7.91	32,400	9.50	935	1,795	2,706	
5	5	5	15	-	30	16,200	4.75	27,000	7.91	32,400	9.50	935	1,795	2,706	
5	7	9	9	-	30	16,200	4.75	27,000	7.91	32,400	9.50	935	1,795	2,706	
7	7	7	9	-	30	16,200	4.75	27,000	7.91	32,400	9.50	935	1,795	2,706	
5	5	9	12	-	31	16,200	4.75	27,000	7.91	32,400	9.50	935	1,795	2,706	
5	7	7	12	-	31	16,200	4.75	27,000	7.91	32,400	9.50	935	1,795	2,706	
5	5	7	15	-	32	16,200	4.75	27,000	7.91	32,400	9.50	935	1,795	2,706	
7	7	9	9	-	32	16,200	4.75	27,000	7.91	32,400	9.50	935	1,795	2,706	
5	9	9	9	-	32	16,200	4.75	27,000	7.91	32,400	9.50	935	1,795	2,706	
5	5	5	18	-	33	16,200	4.75	27,000	7.91	32,400	9.50	935	1,795	2,706	
5	7	9	12	-	33	16,200	4.75	27,000	7.91	32,400	9.50	935	1,795	2,706	
7	7	7	12	-	33	16,200	4.75	27,000	7.91	32,400	9.50	935	1,795	2,706	
5	5	9	15	-	34	16,200	4.75	27,000	7.91	32,400	9.50	935	1,795	2,706	
5	5	12	12	-	34	16,200	4.75	27,000	7.91	32,400	9.50	935	1,795	2,706	
5	7	7	15	-	34	16,200	4.75	27,000	7.91	32,400	9.50	935	1,795	2,706	
7	9	9	9	-	34	16,200	4.75	27,000	7.91	32,400	9.50	935	1,795	2,706	
5	5	7	18	-	35	16,200	4.75	27,000	7.91	32,400	9.50	935	1,795	2,706	
5	9	9	12	-	35	16,200	4.75	27,000	7.91	32,400	9.50	935	1,795	2,706	
7	7	9	12	-	35	16,200	4.75	27,000	7.91	32,400	9.50	935	1,795	2,706	
5	7	9	15	-	36	16,200	4.75	27,000	7.91	32,400	9.50	935	1,795	2,706	
5	7	12	12	-	36	16,200	4.75	27,000	7.91	32,400	9.50	935	1,795	2,706	
7	7	7	15	-	36	16,200	4.75	27,000	7.91	32,400	9.50	935	1,795	2,706	
9	9	9	9	-	36	16,200	4.75	27,000	7.91	32,400	9.50	935	1,795	2,706	
5	5	9	18	-	37	16,200	4.75	27,000	7.91	32,400	9.50	935	1,795	2,706	
5	5	12	15	-	37	16,200	4.75	27,000	7.91	32,400	9.50	935	1,795	2,706	

Note

- Capacities are based on the following conditions :
 - Cooling : Indoor Ambient Temp. 27°CDB/19°CWB, Outdoor Ambient Temp. 35°CDB/24°CWB
 - Heating : Indoor Ambient Temp. 20°CDB / 15°CWB, Outdoor Ambient Temp. 7°CDB / 6°CWB
 - Interconnected piping is standard length and difference of Elevation (Outdoor ~ Indoor Unit) is 0 m.
- At least two indoor units should be connected. And minimum limit of combination ratio is 40% approximately for rated capacity of outdoor unit.
- Don't exceed the maximum connectable indoor units number, it can be found in Specifications or combination table of outdoor unit model.

4. Combination Table

Combination (Capacity index, kBtu/h)						Cooling								
						Total Capacity						Input (W)		
												Min	Rated	Max
Unit-A	Unit-B	Unit-C	Unit-D	Unit-E	Total	Btu/h	kW	Btu/h	kW	Btu/h	kW	Min	Rated	Max
5	7	7	18	-	37	16,200	4.75	27,000	7.91	32,400	9.50	935	1,795	2,706
7	9	9	12	-	37	16,200	4.75	27,000	7.91	32,400	9.50	935	1,795	2,706
5	9	9	15	-	38	16,200	4.75	27,000	7.91	32,400	9.50	935	1,795	2,706
7	7	9	15	-	38	16,200	4.75	27,000	7.91	32,400	9.50	935	1,795	2,706
7	7	12	12	-	38	16,200	4.75	27,000	7.91	32,400	9.50	935	1,795	2,706
5	5	5	24	-	39	16,200	4.75	27,000	7.91	32,400	9.50	935	1,795	2,706
5	7	9	18	-	39	16,200	4.75	27,000	7.91	32,400	9.50	935	1,795	2,706
5	7	12	15	-	39	16,200	4.75	27,000	7.91	32,400	9.50	935	1,795	2,706
9	9	9	12	-	39	16,200	4.75	27,000	7.91	32,400	9.50	935	1,795	2,706
7	7	7	18	-	39	16,200	4.75	27,000	7.91	32,400	9.50	935	1,795	2,706
7	9	9	15	-	40	16,200	4.75	27,000	7.91	32,400	9.50	935	1,795	2,706
7	9	12	12	-	40	16,200	4.75	27,000	7.91	32,400	9.50	935	1,795	2,706
5	5	7	24	-	41	16,200	4.75	27,000	7.91	32,400	9.50	935	1,795	2,706
5	9	12	15	-	41	16,200	4.75	27,000	7.91	32,400	9.50	935	1,795	2,706
5	12	12	12	-	41	16,200	4.75	27,000	7.91	32,400	9.50	935	1,795	2,706
7	7	12	15	-	41	16,200	4.75	27,000	7.91	32,400	9.50	935	1,795	2,706
7	7	9	18	-	41	16,200	4.75	27,000	7.91	32,400	9.50	935	1,795	2,706

Note

1. Capacities are based on the following conditions :

- Cooling : Indoor Ambient Temp. 27°CDB/19°CWB, Outdoor Ambient Temp. 35°CDB/24°CWB
- Heating : Indoor Ambient Temp. 20°CDB / 15°CWB, Outdoor Ambient Temp. 7°CDB / 6°CWB
- Interconnected piping is standard length and difference of Elevation (Outdoor ~ Indoor Unit) is 0 m.

2. At least two indoor units should be connected. And minimum limit of combination ratio is 40% approximately for rated capacity of outdoor unit.

3. Don't exceed the maximum connectable indoor units number, it can be found in Specifications or combination table of outdoor unit model.

4. Combination Table

◆ Heating

Combination (Capacity index, kBtu/h)						Heating									
						Total Capacity						Input (W)			
															Min
Unit-A	Unit-B	Unit-C	Unit-D	Unit-E	Total	Btu/h	kW	Btu/h	kW	Btu/h	kW	Min	Rated	Max	
1 Unit Operation															
5	-	-	-	-	5	5,000	1.47	5,500	1.61	6,325	1.85	610	610	714	
7	-	-	-	-	7	5,400	1.58	8,400	2.46	9,660	2.83	610	636	825	
9	-	-	-	-	9	6,480	1.90	10,800	3.17	12,420	3.64	610	826	1,077	
12	-	-	-	-	12	7,920	2.32	13,200	3.87	15,180	4.45	583	1,021	1,338	
15	-	-	-	-	15	9,900	2.90	16,500	4.84	18,975	5.56	744	1,279	1,744	
18	-	-	-	-	18	11,880	3.48	19,800	5.80	22,770	6.67	909	1,577	2,133	
24	-	-	-	-	24	15,240	4.47	25,400	7.44	26,670	7.82	1,192	2,077	2,538	
2 Units Operation															
5	5	-	-	-	10	7,200	2.11	12,000	3.52	14,400	4.22	451	773	1,081	
5	7	-	-	-	12	8,640	2.53	14,400	4.22	17,280	5.06	541	940	1,337	
5	9	-	-	-	14	10,080	2.95	16,800	4.92	20,160	5.91	656	1,112	1,571	
7	7	-	-	-	14	10,080	2.95	16,800	4.92	20,160	5.91	656	1,112	1,571	
7	9	-	-	-	16	11,520	3.38	19,200	5.63	23,040	6.75	749	1,289	1,844	
5	12	-	-	-	17	12,240	3.59	20,400	5.98	24,480	7.17	796	1,392	1,968	
9	9	-	-	-	18	12,960	3.80	21,600	6.33	25,920	7.60	844	1,471	2,094	
7	12	-	-	-	19	13,680	4.01	22,800	6.68	27,360	8.02	892	1,577	2,222	
5	15	-	-	-	20	14,400	4.22	24,000	7.03	28,800	8.44	940	1,657	2,352	
9	12	-	-	-	21	15,120	4.43	25,200	7.39	30,240	8.86	989	1,766	2,568	
7	15	-	-	-	22	15,840	4.64	26,400	7.74	31,680	9.28	1,038	1,848	2,811	
5	18	-	-	-	23	16,560	4.85	27,600	8.09	33,120	9.71	1,112	1,960	3,127	
9	15	-	-	-	24	17,280	5.06	28,800	8.44	34,100	9.99	1,100	2,045	3,384	
12	12	-	-	-	24	17,280	5.06	28,800	8.44	34,100	9.99	1,100	2,045	3,384	
7	18	-	-	-	25	18,000	5.28	30,000	8.79	34,100	9.99	1,147	2,194	3,384	
9	18	-	-	-	27	18,600	5.45	31,000	9.09	34,100	9.99	1,194	2,157	3,384	
12	15	-	-	-	27	18,600	5.45	31,000	9.09	34,100	9.99	1,194	2,157	3,384	
5	24	-	-	-	29	18,600	5.45	31,000	9.09	34,100	9.99	1,194	2,157	3,384	
12	18	-	-	-	30	18,600	5.45	31,000	9.09	34,100	9.99	1,194	2,157	3,384	
15	15	-	-	-	30	18,600	5.45	31,000	9.09	34,100	9.99	1,194	2,157	3,384	
7	24	-	-	-	31	18,600	5.45	31,000	9.09	34,100	9.99	1,194	2,157	3,384	
9	24	-	-	-	33	18,600	5.45	31,000	9.09	34,100	9.99	1,194	2,157	3,384	
15	18	-	-	-	33	18,600	5.45	31,000	9.09	34,100	9.99	1,194	2,157	3,384	
18	18	-	-	-	36	18,600	5.45	31,000	9.09	34,100	9.99	1,194	2,157	3,384	
12	24	-	-	-	36	18,600	5.45	31,000	9.09	34,100	9.99	1,194	2,157	3,384	
15	24	-	-	-	39	18,600	5.45	31,000	9.09	34,100	9.99	1,194	2,157	3,384	
3 Units Operation															
5	5	5	-	-	15	10,800	3.17	18,000	5.28	21,600	6.33	660	1,140	1,590	
5	5	7	-	-	17	12,240	3.59	20,400	5.98	24,480	7.17	748	1,309	1,850	
5	5	9	-	-	19	13,680	4.01	22,800	6.68	27,360	8.02	838	1,482	2,089	
5	7	7	-	-	19	13,680	4.01	22,800	6.68	27,360	8.02	838	1,482	2,089	
5	7	9	-	-	21	15,120	4.43	25,200	7.39	30,240	8.86	930	1,660	2,414	
7	7	7	-	-	21	15,120	4.43	25,200	7.39	30,240	8.86	930	1,660	2,414	
5	5	12	-	-	22	15,840	4.64	26,400	7.74	31,680	9.28	976	1,738	2,590	
5	9	9	-	-	23	16,560	4.85	27,600	8.09	33,120	9.71	1,046	1,842	2,767	
7	7	9	-	-	23	16,560	4.85	27,600	8.09	33,120	9.71	1,046	1,842	2,767	
5	7	12	-	-	24	17,280	5.06	28,800	8.44	34,560	10.13	1,093	1,922	2,951	
5	5	15	-	-	25	18,000	5.28	30,000	8.79	34,720	10.18	1,140	2,063	2,998	
7	9	9	-	-	25	18,000	5.28	30,000	8.79	34,720	10.18	1,140	2,063	2,998	
5	9	12	-	-	26	18,720	5.49	31,200	9.14	34,720	10.18	1,188	2,177	2,998	
7	7	12	-	-	26	18,720	5.49	31,200	9.14	34,720	10.18	1,188	2,177	2,998	
5	7	15	-	-	27	18,600	5.45	31,000	9.09	34,720	10.18	1,188	2,177	2,998	
9	9	9	-	-	27	18,600	5.45	31,000	9.09	34,720	10.18	1,188	2,177	2,998	
7	9	12	-	-	28	18,600	5.45	31,000	9.09	34,720	10.18	1,188	2,177	2,998	
5	5	18	-	-	28	18,600	5.45	31,000	9.09	34,720	10.18	1,188	2,177	2,998	
5	9	15	-	-	29	18,600	5.45	31,000	9.09	34,720	10.18	1,188	2,177	2,998	
5	12	12	-	-	29	18,600	5.45	31,000	9.09	34,720	10.18	1,188	2,177	2,998	
7	7	15	-	-	29	18,600	5.45	31,000	9.09	34,720	10.18	1,188	2,177	2,998	
5	7	18	-	-	30	18,600	5.45	31,000	9.09	34,720	10.18	1,188	2,177	2,998	
9	9	12	-	-	30	18,600	5.45	31,000	9.09	34,720	10.18	1,188	2,177	2,998	
7	9	15	-	-	31	18,600	5.45	31,000	9.09	34,720	10.18	1,188	2,177	2,998	
7	12	12	-	-	31	18,600	5.45	31,000	9.09	34,720	10.18	1,188	2,177	2,998	
5	12	15	-	-	32	18,600	5.45	31,000	9.09	34,720	10.18	1,188	2,177	2,998	
5	9	18	-	-	32	18,600	5.45	31,000	9.09	34,720	10.18	1,188	2,177	2,998	

Note

1. Capacities are based on the following conditions :

- Cooling : Indoor Ambient Temp. 27°CDB/19°CWB, Outdoor Ambient Temp. 35°CDB/24°CWB
- Heating : Indoor Ambient Temp. 20°CDB / 15°CWB, Outdoor Ambient Temp. 7°CDB / 6°CWB
- Interconnected piping is standard length and difference of Elevation (Outdoor ~ Indoor Unit) is 0 m.

2. At least two indoor units should be connected. And minimum limit of combination ratio is 40% approximately for rated capacity of outdoor unit.

3. Don't exceed the maximum connectable indoor units number, it can be found in Specifications or combination table of outdoor unit model.

4. Combination Table

Combination (Capacity index, kBTU/h)						Heating									
						Total Capacity						Input (W)			
												Min	Rated	Max	Min
Unit-A	Unit-B	Unit-C	Unit-D	Unit-E	Total	Btu/h	kW	Btu/h	kW	Btu/h	kW	Min	Rated	Max	
7	7	18	-	-	32	18,600	5.45	31,000	9.09	34,720	10.18	1,188	2,177	2,998	
9	9	15	-	-	33	18,600	5.45	31,000	9.09	34,720	10.18	1,188	2,177	2,998	
9	12	12	-	-	33	18,600	5.45	31,000	9.09	34,720	10.18	1,188	2,177	2,998	
7	9	18	-	-	34	18,600	5.45	31,000	9.09	34,720	10.18	1,188	2,177	2,998	
7	12	15	-	-	34	18,600	5.45	31,000	9.09	34,720	10.18	1,188	2,177	2,998	
5	5	24	-	-	34	18,600	5.45	31,000	9.09	34,720	10.18	1,188	2,177	2,998	
5	12	18	-	-	35	18,600	5.45	31,000	9.09	34,720	10.18	1,188	2,177	2,998	
5	15	15	-	-	35	18,600	5.45	31,000	9.09	34,720	10.18	1,188	2,177	2,998	
5	7	24	-	-	36	18,600	5.45	31,000	9.09	34,720	10.18	1,188	2,177	2,998	
9	12	15	-	-	36	18,600	5.45	31,000	9.09	34,720	10.18	1,188	2,177	2,998	
12	12	12	-	-	36	18,600	5.45	31,000	9.09	34,720	10.18	1,188	2,177	2,998	
9	9	18	-	-	36	18,600	5.45	31,000	9.09	34,720	10.18	1,188	2,177	2,998	
7	12	18	-	-	37	18,600	5.45	31,000	9.09	34,720	10.18	1,188	2,177	2,998	
7	15	15	-	-	37	18,600	5.45	31,000	9.09	34,720	10.18	1,188	2,177	2,998	
5	9	24	-	-	38	18,600	5.45	31,000	9.09	34,720	10.18	1,188	2,177	2,998	
5	15	18	-	-	38	18,600	5.45	31,000	9.09	34,720	10.18	1,188	2,177	2,998	
7	7	24	-	-	38	18,600	5.45	31,000	9.09	34,720	10.18	1,188	2,177	2,998	
9	12	18	-	-	39	18,600	5.45	31,000	9.09	34,720	10.18	1,188	2,177	2,998	
9	15	15	-	-	39	18,600	5.45	31,000	9.09	34,720	10.18	1,188	2,177	2,998	
12	12	15	-	-	39	18,600	5.45	31,000	9.09	34,720	10.18	1,188	2,177	2,998	
7	9	24	-	-	40	18,600	5.45	31,000	9.09	34,720	10.18	1,188	2,177	2,998	
7	15	18	-	-	40	18,600	5.45	31,000	9.09	34,720	10.18	1,188	2,177	2,998	
5	12	24	-	-	41	18,600	5.45	31,000	9.09	34,720	10.18	1,188	2,177	2,998	
5	18	18	-	-	41	18,600	5.45	31,000	9.09	34,720	10.18	1,188	2,177	2,998	
4 Units Operation															
5	5	5	5	-	20	14,400	4.22	24,000	7.03	28,800	8.44	840	1,480	2,100	
5	5	5	7	-	22	15,840	4.64	26,400	7.74	31,680	9.28	927	1,651	2,470	
5	5	5	9	-	24	17,280	5.06	28,800	8.44	34,560	10.13	1,038	1,826	2,861	
5	5	7	7	-	24	17,280	5.06	28,800	8.44	34,560	10.13	1,038	1,826	2,861	
5	5	7	9	-	26	18,000	5.28	30,000	8.79	36,000	10.55	1,083	1,960	3,125	
5	7	7	7	-	26	18,000	5.28	30,000	8.79	36,000	10.55	1,083	1,960	3,125	
5	5	5	12	-	27	18,600	5.45	31,000	9.09	36,000	10.55	1,128	2,068	3,125	
5	5	9	9	-	28	18,600	5.45	31,000	9.09	36,000	10.55	1,128	2,068	3,125	
5	7	7	9	-	28	18,600	5.45	31,000	9.09	36,000	10.55	1,128	2,068	3,125	
7	7	7	7	-	28	18,600	5.45	31,000	9.09	36,000	10.55	1,128	2,068	3,125	
5	5	7	12	-	29	18,600	5.45	31,000	9.09	36,000	10.55	1,128	2,068	3,125	
5	5	5	15	-	30	18,600	5.45	31,000	9.09	36,000	10.55	1,128	2,068	3,125	
5	7	9	9	-	30	18,600	5.45	31,000	9.09	36,000	10.55	1,128	2,068	3,125	
7	7	7	9	-	30	18,600	5.45	31,000	9.09	36,000	10.55	1,128	2,068	3,125	
5	5	9	12	-	31	18,600	5.45	31,000	9.09	36,000	10.55	1,128	2,068	3,125	
5	7	7	12	-	31	18,600	5.45	31,000	9.09	36,000	10.55	1,128	2,068	3,125	
5	5	7	15	-	32	18,600	5.45	31,000	9.09	36,000	10.55	1,128	2,068	3,125	
7	7	9	9	-	32	18,600	5.45	31,000	9.09	36,000	10.55	1,128	2,068	3,125	
5	9	9	9	-	32	18,600	5.45	31,000	9.09	36,000	10.55	1,128	2,068	3,125	
5	5	5	18	-	33	18,600	5.45	31,000	9.09	36,000	10.55	1,128	2,068	3,125	
5	7	9	12	-	33	18,600	5.45	31,000	9.09	36,000	10.55	1,128	2,068	3,125	
7	7	7	12	-	33	18,600	5.45	31,000	9.09	36,000	10.55	1,128	2,068	3,125	
5	5	9	15	-	34	18,600	5.45	31,000	9.09	36,000	10.55	1,128	2,068	3,125	
5	5	12	12	-	34	18,600	5.45	31,000	9.09	36,000	10.55	1,128	2,068	3,125	
5	7	7	15	-	34	18,600	5.45	31,000	9.09	36,000	10.55	1,128	2,068	3,125	
7	9	9	9	-	34	18,600	5.45	31,000	9.09	36,000	10.55	1,128	2,068	3,125	
5	5	7	18	-	35	18,600	5.45	31,000	9.09	36,000	10.55	1,128	2,068	3,125	
5	9	9	12	-	35	18,600	5.45	31,000	9.09	36,000	10.55	1,128	2,068	3,125	
7	7	9	12	-	35	18,600	5.45	31,000	9.09	36,000	10.55	1,128	2,068	3,125	
5	7	9	15	-	36	18,600	5.45	31,000	9.09	36,000	10.55	1,128	2,068	3,125	
5	7	12	12	-	36	18,600	5.45	31,000	9.09	36,000	10.55	1,128	2,068	3,125	
7	7	7	15	-	36	18,600	5.45	31,000	9.09	36,000	10.55	1,128	2,068	3,125	
9	9	9	9	-	36	18,600	5.45	31,000	9.09	36,000	10.55	1,128	2,068	3,125	
5	5	9	18	-	37	18,600	5.45	31,000	9.09	36,000	10.55	1,128	2,068	3,125	
5	5	12	15	-	37	18,600	5.45	31,000	9.09	36,000	10.55	1,128	2,068	3,125	
5	7	7	18	-	37	18,600	5.45	31,000	9.09	36,000	10.55	1,128	2,068	3,125	
7	9	9	12	-	37	18,600	5.45	31,000	9.09	36,000	10.55	1,128	2,068	3,125	
5	9	9	15	-	38	18,600	5.45	31,000	9.09	36,000	10.55	1,128	2,068	3,125	
7	7	9	15	-	38	18,600	5.45	31,000	9.09	36,000	10.55	1,128	2,068	3,125	

Note

- Capacities are based on the following conditions :
 - Cooling : Indoor Ambient Temp. 27°CDB/19°CWB, Outdoor Ambient Temp. 35°CDB/24°CWB
 - Heating : Indoor Ambient Temp. 20°CDB / 15°CWB, Outdoor Ambient Temp. 7°CDB / 6°CWB
 - Interconnected piping is standard length and difference of Elevation (Outdoor ~ Indoor Unit) is 0 m.
- At least two indoor units should be connected. And minimum limit of combination ratio is 40% approximately for rated capacity of outdoor unit.
- Don't exceed the maximum connectable indoor units number, it can be found in Specifications or combination table of outdoor unit model.

4. Combination Table

Combination (Capacity index, kBtu/h)						Heating								
						Total Capacity						Input (W)		
						Min		Rated		Max				
Unit-A	Unit-B	Unit-C	Unit-D	Unit-E	Total	Btu/h	kW	Btu/h	kW	Btu/h	kW	Min	Rated	Max
7	7	12	12	-	38	18,600	5.45	31,000	9.09	36,000	10.55	1,128	2,068	3,125
5	5	5	24	-	39	18,600	5.45	31,000	9.09	36,000	10.55	1,128	2,068	3,125
5	7	9	18	-	39	18,600	5.45	31,000	9.09	36,000	10.55	1,128	2,068	3,125
5	7	12	15	-	39	18,600	5.45	31,000	9.09	36,000	10.55	1,128	2,068	3,125
9	9	9	12	-	39	18,600	5.45	31,000	9.09	36,000	10.55	1,128	2,068	3,125
7	7	7	18	-	39	18,600	5.45	31,000	9.09	36,000	10.55	1,128	2,068	3,125
7	9	9	15	-	40	18,600	5.45	31,000	9.09	36,000	10.55	1,128	2,068	3,125
7	9	12	12	-	40	18,600	5.45	31,000	9.09	36,000	10.55	1,128	2,068	3,125
5	5	7	24	-	41	18,600	5.45	31,000	9.09	36,000	10.55	1,128	2,068	3,125
5	9	12	15	-	41	18,600	5.45	31,000	9.09	36,000	10.55	1,128	2,068	3,125
5	12	12	12	-	41	18,600	5.45	31,000	9.09	36,000	10.55	1,128	2,068	3,125
7	7	12	15	-	41	18,600	5.45	31,000	9.09	36,000	10.55	1,128	2,068	3,125
7	7	9	18	-	41	18,600	5.45	31,000	9.09	36,000	10.55	1,128	2,068	3,125

Note

1. Capacities are based on the following conditions :

- Cooling : Indoor Ambient Temp. 27°CDB/19°CWB, Outdoor Ambient Temp. 35°CDB/24°CWB
- Heating : Indoor Ambient Temp. 20°CDB / 15°CWB, Outdoor Ambient Temp. 7°CDB / 6°CWB
- Interconnected piping is standard length and difference of Elevation (Outdoor ~ Indoor Unit) is 0 m.

2. At least two indoor units should be connected. And minimum limit of combination ratio is 40% approximately for rated capacity of outdoor unit.

3. Don't exceed the maximum connectable indoor units number, it can be found in Specifications or combination table of outdoor unit model.

4. Combination Table

4.7 Z5UW30GFA0 [MU5R30 U40]

◆ Cooling

Combination (Capacity index, kBtu/h)						Cooling									
						Total Capacity						Input (W)			
												Min	Rated	Max	Min
Unit-A	Unit-B	Unit-C	Unit-D	Unit-E	Total	Btu/h	kW	Btu/h	kW	Btu/h	kW	Min	Rated	Max	
1 Unit Operation															
5	-	-	-	-	5	4,500	1.32	5,000	1.47	6,000	1.76	416	418	629	
7	-	-	-	-	7	4,800	1.41	7,000	2.05	8,400	2.46	416	494	681	
9	-	-	-	-	9	5,400	1.58	9,000	2.64	10,800	3.17	416	617	884	
12	-	-	-	-	12	7,200	2.11	12,000	3.52	14,400	4.22	494	846	1,184	
15	-	-	-	-	15	8,520	2.50	14,200	4.16	17,040	4.99	592	1,029	1,432	
18	-	-	-	-	18	10,800	3.17	18,000	5.28	21,600	6.33	769	1,328	1,852	
24	-	-	-	-	24	14,400	4.22	24,000	7.03	25,500	7.47	1,029	1,815	2,604	
2 Units Operation															
5	5	-	-	-	10	6,000	1.76	10,000	2.93	12,000	3.52	378	623	876	
5	7	-	-	-	12	7,200	2.11	12,000	3.52	14,400	4.22	444	761	1,066	
5	9	-	-	-	14	8,400	2.46	14,000	4.10	16,800	4.92	533	903	1,261	
7	7	-	-	-	14	8,400	2.46	14,000	4.10	16,800	4.92	533	903	1,261	
7	9	-	-	-	16	9,600	2.81	16,000	4.69	19,200	5.63	601	1,047	1,461	
5	12	-	-	-	17	10,200	2.99	17,000	4.98	20,400	5.98	646	1,121	1,578	
9	9	-	-	-	18	10,800	3.17	18,000	5.28	21,600	6.33	692	1,195	1,667	
7	12	-	-	-	19	11,400	3.34	19,000	5.57	22,800	6.68	715	1,270	1,787	
5	15	-	-	-	20	12,000	3.52	20,000	5.86	24,000	7.03	761	1,347	1,878	
9	12	-	-	-	21	12,600	3.69	21,000	6.15	25,200	7.39	808	1,423	2,066	
7	15	-	-	-	22	13,200	3.87	22,000	6.45	26,400	7.74	855	1,475	2,211	
5	18	-	-	-	23	13,800	4.04	23,000	6.74	27,600	8.09	879	1,554	2,414	
9	15	-	-	-	24	14,400	4.22	24,000	7.03	28,800	8.44	927	1,633	2,572	
12	12	-	-	-	24	14,400	4.22	24,000	7.03	28,800	8.44	927	1,633	2,572	
7	18	-	-	-	25	15,000	4.40	25,000	7.33	30,000	8.79	975	1,755	2,794	
9	18	-	-	-	27	16,200	4.75	27,000	7.91	32,400	9.50	1,047	2,011	3,213	
12	15	-	-	-	27	16,200	4.75	27,000	7.91	32,400	9.50	1,047	2,011	3,213	
5	24	-	-	-	29	17,400	5.10	29,000	8.50	33,000	9.67	1,145	2,284	3,341	
12	18	-	-	-	30	18,000	5.28	30,000	8.79	33,000	9.67	1,195	2,429	3,341	
15	15	-	-	-	30	18,000	5.28	30,000	8.79	33,000	9.67	1,195	2,429	3,341	
7	24	-	-	-	31	18,000	5.28	30,000	8.79	33,000	9.67	1,195	2,429	3,341	
9	24	-	-	-	33	18,000	5.28	30,000	8.79	33,000	9.67	1,195	2,429	3,341	
15	18	-	-	-	33	18,000	5.28	30,000	8.79	33,000	9.67	1,195	2,429	3,341	
18	18	-	-	-	36	18,000	5.28	30,000	8.79	33,000	9.67	1,195	2,429	3,341	
12	24	-	-	-	36	18,000	5.28	30,000	8.79	33,000	9.67	1,195	2,429	3,341	
15	24	-	-	-	39	18,000	5.28	30,000	8.79	33,000	9.67	1,195	2,429	3,341	
18	24	-	-	-	42	18,000	5.28	30,000	8.79	33,000	9.67	1,195	2,429	3,341	
24	24	-	-	-	48	18,000	5.28	30,000	8.79	33,000	9.67	1,195	2,429	3,341	
3 Units Operation															
5	5	5	-	-	15	9,000	2.64	15,000	4.40	18,000	5.28	522	916	1,292	
5	5	7	-	-	17	10,200	2.99	17,000	4.98	20,400	5.98	607	1,054	1,483	
5	5	9	-	-	19	11,400	3.34	19,000	5.57	22,800	6.68	672	1,194	1,680	
5	7	7	-	-	19	11,400	3.34	19,000	5.57	22,800	6.68	672	1,194	1,680	
5	7	9	-	-	21	12,600	3.69	21,000	6.15	25,200	7.39	760	1,338	1,942	
7	7	7	-	-	21	12,600	3.69	21,000	6.15	25,200	7.39	760	1,338	1,942	
5	5	12	-	-	22	13,200	3.87	22,000	6.45	26,400	7.74	804	1,387	2,079	
5	9	9	-	-	23	13,800	4.04	23,000	6.74	27,600	8.09	826	1,461	2,278	
7	7	9	-	-	23	13,800	4.04	23,000	6.74	27,600	8.09	826	1,461	2,278	
5	7	12	-	-	24	14,400	4.22	24,000	7.03	28,800	8.44	871	1,535	2,442	
5	5	15	-	-	25	15,000	4.40	25,000	7.33	30,000	8.79	916	1,650	2,674	
7	9	9	-	-	25	15,000	4.40	25,000	7.33	30,000	8.79	916	1,650	2,674	
5	9	12	-	-	26	15,600	4.57	26,000	7.62	31,200	9.14	962	1,767	2,859	
7	7	12	-	-	26	15,600	4.57	26,000	7.62	31,200	9.14	962	1,767	2,859	
5	7	15	-	-	27	16,200	4.75	27,000	7.91	32,400	9.50	984	1,890	3,120	
9	9	9	-	-	27	16,200	4.75	27,000	7.91	32,400	9.50	984	1,890	3,120	
7	9	12	-	-	28	16,800	4.92	28,000	8.21	33,600	9.85	1,030	2,028	3,327	
5	5	18	-	-	28	16,800	4.92	28,000	8.21	33,600	9.85	1,030	2,028	3,327	
5	9	15	-	-	29	17,400	5.10	29,000	8.50	33,600	9.85	1,077	2,173	3,327	
5	12	12	-	-	29	17,400	5.10	29,000	8.50	33,600	9.85	1,077	2,173	3,327	
7	7	15	-	-	29	17,400	5.10	29,000	8.50	33,600	9.85	1,077	2,173	3,327	

Note

- Capacities are based on the following conditions :
 - Cooling : Indoor Ambient Temp. 27°CDB/19°CWB, Outdoor Ambient Temp. 35°CDB/24°CWB
 - Heating : Indoor Ambient Temp. 20°CDB / 15°CWB, Outdoor Ambient Temp. 7°CDB / 6°CWB
 - Interconnected piping is standard length and difference of Elevation (Outdoor ~ Indoor Unit) is 0 m.
- At least two indoor units should be connected. And minimum limit of combination ratio is 40% approximately for rated capacity of outdoor unit.
- Don't exceed the maximum connectable indoor units number, it can be found in Specifications or combination table of outdoor unit model.

4. Combination Table

Combination (Capacity index, kBTU/h)						Cooling								
						Total Capacity						Input (W)		
												Min	Rated	Max
Unit-A	Unit-B	Unit-C	Unit-D	Unit-E	Total	Btu/h	kW	Btu/h	kW	Btu/h	kW	Min	Rated	Max
5	7	18	-	-	30	18,000	5.28	30,000	8.79	33,600	9.85	1,123	2,326	3,327
9	9	12	-	-	30	18,000	5.28	30,000	8.79	33,600	9.85	1,123	2,326	3,327
7	9	15	-	-	31	18,000	5.28	30,000	8.79	33,600	9.85	1,123	2,326	3,327
7	12	12	-	-	31	18,000	5.28	30,000	8.79	33,600	9.85	1,123	2,326	3,327
5	12	15	-	-	32	18,000	5.28	30,000	8.79	33,600	9.85	1,123	2,326	3,327
5	9	18	-	-	32	18,000	5.28	30,000	8.79	33,600	9.85	1,123	2,326	3,327
7	7	18	-	-	32	18,000	5.28	30,000	8.79	33,600	9.85	1,123	2,326	3,327
9	9	15	-	-	33	18,000	5.28	30,000	8.79	33,600	9.85	1,123	2,326	3,327
9	12	12	-	-	33	18,000	5.28	30,000	8.79	33,600	9.85	1,123	2,326	3,327
7	9	18	-	-	34	18,000	5.28	30,000	8.79	33,600	9.85	1,123	2,326	3,327
7	12	15	-	-	34	18,000	5.28	30,000	8.79	33,600	9.85	1,123	2,326	3,327
5	5	24	-	-	34	18,000	5.28	30,000	8.79	33,600	9.85	1,123	2,326	3,327
5	12	18	-	-	35	18,000	5.28	30,000	8.79	33,600	9.85	1,123	2,326	3,327
5	15	15	-	-	35	18,000	5.28	30,000	8.79	33,600	9.85	1,123	2,326	3,327
5	7	24	-	-	36	18,000	5.28	30,000	8.79	33,600	9.85	1,123	2,326	3,327
9	12	15	-	-	36	18,000	5.28	30,000	8.79	33,600	9.85	1,123	2,326	3,327
12	12	12	-	-	36	18,000	5.28	30,000	8.79	33,600	9.85	1,123	2,326	3,327
9	9	18	-	-	36	18,000	5.28	30,000	8.79	33,600	9.85	1,123	2,326	3,327
7	12	18	-	-	37	18,000	5.28	30,000	8.79	33,600	9.85	1,123	2,326	3,327
7	15	15	-	-	37	18,000	5.28	30,000	8.79	33,600	9.85	1,123	2,326	3,327
5	9	24	-	-	38	18,000	5.28	30,000	8.79	33,600	9.85	1,123	2,326	3,327
5	15	18	-	-	38	18,000	5.28	30,000	8.79	33,600	9.85	1,123	2,326	3,327
7	7	24	-	-	38	18,000	5.28	30,000	8.79	33,600	9.85	1,123	2,326	3,327
9	12	18	-	-	39	18,000	5.28	30,000	8.79	33,600	9.85	1,123	2,326	3,327
9	15	15	-	-	39	18,000	5.28	30,000	8.79	33,600	9.85	1,123	2,326	3,327
12	12	15	-	-	39	18,000	5.28	30,000	8.79	33,600	9.85	1,123	2,326	3,327
7	9	24	-	-	40	18,000	5.28	30,000	8.79	33,600	9.85	1,123	2,326	3,327
7	15	18	-	-	40	18,000	5.28	30,000	8.79	33,600	9.85	1,123	2,326	3,327
5	12	24	-	-	41	18,000	5.28	30,000	8.79	33,600	9.85	1,123	2,326	3,327
5	18	18	-	-	41	18,000	5.28	30,000	8.79	33,600	9.85	1,123	2,326	3,327
12	12	18	-	-	42	18,000	5.28	30,000	8.79	33,600	9.85	1,123	2,326	3,327
9	9	24	-	-	42	18,000	5.28	30,000	8.79	33,600	9.85	1,123	2,326	3,327
9	15	18	-	-	42	18,000	5.28	30,000	8.79	33,600	9.85	1,123	2,326	3,327
12	15	15	-	-	42	18,000	5.28	30,000	8.79	33,600	9.85	1,123	2,326	3,327
7	18	18	-	-	43	18,000	5.28	30,000	8.79	33,600	9.85	1,123	2,326	3,327
7	12	24	-	-	43	18,000	5.28	30,000	8.79	33,600	9.85	1,123	2,326	3,327
5	15	24	-	-	44	18,000	5.28	30,000	8.79	33,600	9.85	1,123	2,326	3,327
9	18	18	-	-	45	18,000	5.28	30,000	8.79	33,600	9.85	1,123	2,326	3,327
9	12	24	-	-	45	18,000	5.28	30,000	8.79	33,600	9.85	1,123	2,326	3,327
12	15	18	-	-	45	18,000	5.28	30,000	8.79	33,600	9.85	1,123	2,326	3,327
15	15	15	-	-	45	18,000	5.28	30,000	8.79	33,600	9.85	1,123	2,326	3,327
7	15	24	-	-	46	18,000	5.28	30,000	8.79	33,600	9.85	1,123	2,326	3,327
5	18	24	-	-	47	18,000	5.28	30,000	8.79	33,600	9.85	1,123	2,326	3,327
9	15	24	-	-	48	18,000	5.28	30,000	8.79	33,600	9.85	1,123	2,326	3,327
12	18	18	-	-	48	18,000	5.28	30,000	8.79	33,600	9.85	1,123	2,326	3,327
12	12	24	-	-	48	18,000	5.28	30,000	8.79	33,600	9.85	1,123	2,326	3,327
15	15	18	-	-	48	18,000	5.28	30,000	8.79	33,600	9.85	1,123	2,326	3,327

4 Units Operation														
Unit-A	Unit-B	Unit-C	Unit-D	Unit-E	Total	Btu/h	kW	Btu/h	kW	Btu/h	kW	Min	Rated	Max
5	5	5	5	-	20	12,000	3.52	20,000	5.86	24,000	7.03	680	1,202	1,677
5	5	5	7	-	22	13,200	3.87	22,000	6.45	26,400	7.74	764	1,317	1,975
5	5	5	9	-	24	14,400	4.22	24,000	7.03	28,800	8.44	827	1,458	2,274
5	5	7	7	-	24	14,400	4.22	24,000	7.03	28,800	8.44	827	1,458	2,274
5	5	7	9	-	26	15,600	4.57	26,000	7.62	31,200	9.14	913	1,679	2,588
5	7	7	7	-	26	15,600	4.57	26,000	7.62	31,200	9.14	913	1,679	2,588
5	5	5	12	-	27	16,200	4.75	27,000	7.91	32,400	9.50	935	1,795	2,778
5	5	9	9	-	28	16,800	4.92	28,000	8.21	33,600	9.85	979	1,903	2,927
5	7	7	9	-	28	16,800	4.92	28,000	8.21	33,600	9.85	979	1,903	2,927
7	7	7	7	-	28	16,800	4.92	28,000	8.21	33,600	9.85	979	1,903	2,927
5	5	7	12	-	29	17,400	5.10	29,000	8.50	34,800	10.20	1,023	2,015	3,133
5	5	5	15	-	30	18,000	5.28	30,000	8.79	36,000	10.55	1,067	2,131	3,349
5	7	9	9	-	30	18,000	5.28	30,000	8.79	36,000	10.55	1,067	2,131	3,349
7	7	7	9	-	30	18,000	5.28	30,000	8.79	36,000	10.55	1,067	2,131	3,349
5	5	9	12	-	31	18,000	5.28	30,000	8.79	36,000	10.55	1,067	2,131	3,349
5	7	7	12	-	31	18,000	5.28	30,000	8.79	36,000	10.55	1,067	2,131	3,349

Note

- Capacities are based on the following conditions :
 - Cooling : Indoor Ambient Temp. 27°CDB/19°CWB, Outdoor Ambient Temp. 35°CDB/24°CWB
 - Heating : Indoor Ambient Temp. 20°CDB / 15°CWB, Outdoor Ambient Temp. 7°CDB / 6°CWB
 - Interconnected piping is standard length and difference of Elevation (Outdoor ~ Indoor Unit) is 0 m.
- At least two indoor units should be connected. And minimum limit of combination ratio is 40% approximately for rated capacity of outdoor unit.
- Don't exceed the maximum connectable indoor units number, it can be found in Specifications or combination table of outdoor unit model.

4. Combination Table

Combination (Capacity index, kBTU/h)						Cooling								
						Total Capacity						Input (W)		
												Min	Rated	Max
Unit-A	Unit-B	Unit-C	Unit-D	Unit-E	Total	Btu/h	kW	Btu/h	kW	Btu/h	kW	Min	Rated	Max
5	5	7	15	-	32	18,000	5.28	30,000	8.79	36,000	10.55	1,067	2,131	3,349
7	7	9	9	-	32	18,000	5.28	30,000	8.79	36,000	10.55	1,067	2,131	3,349
5	9	9	9	-	32	18,000	5.28	30,000	8.79	36,000	10.55	1,067	2,131	3,349
5	5	5	18	-	33	18,000	5.28	30,000	8.79	36,000	10.55	1,067	2,131	3,349
5	7	9	12	-	33	18,000	5.28	30,000	8.79	36,000	10.55	1,067	2,131	3,349
7	7	7	12	-	33	18,000	5.28	30,000	8.79	36,000	10.55	1,067	2,131	3,349
5	5	9	15	-	34	18,000	5.28	30,000	8.79	36,000	10.55	1,067	2,131	3,349
5	5	12	12	-	34	18,000	5.28	30,000	8.79	36,000	10.55	1,067	2,131	3,349
5	7	7	15	-	34	18,000	5.28	30,000	8.79	36,000	10.55	1,067	2,131	3,349
7	9	9	9	-	34	18,000	5.28	30,000	8.79	36,000	10.55	1,067	2,131	3,349
5	5	7	18	-	35	18,000	5.28	30,000	8.79	36,000	10.55	1,067	2,131	3,349
5	9	9	12	-	35	18,000	5.28	30,000	8.79	36,000	10.55	1,067	2,131	3,349
7	7	9	12	-	35	18,000	5.28	30,000	8.79	36,000	10.55	1,067	2,131	3,349
5	7	9	15	-	36	18,000	5.28	30,000	8.79	36,000	10.55	1,067	2,131	3,349
5	7	12	12	-	36	18,000	5.28	30,000	8.79	36,000	10.55	1,067	2,131	3,349
7	7	7	15	-	36	18,000	5.28	30,000	8.79	36,000	10.55	1,067	2,131	3,349
9	9	9	9	-	36	18,000	5.28	30,000	8.79	36,000	10.55	1,067	2,131	3,349
5	5	9	18	-	37	18,000	5.28	30,000	8.79	36,000	10.55	1,067	2,131	3,349
5	5	12	15	-	37	18,000	5.28	30,000	8.79	36,000	10.55	1,067	2,131	3,349
5	7	7	18	-	37	18,000	5.28	30,000	8.79	36,000	10.55	1,067	2,131	3,349
7	9	9	12	-	37	18,000	5.28	30,000	8.79	36,000	10.55	1,067	2,131	3,349
5	9	9	15	-	38	18,000	5.28	30,000	8.79	36,000	10.55	1,067	2,131	3,349
7	7	9	15	-	38	18,000	5.28	30,000	8.79	36,000	10.55	1,067	2,131	3,349
7	7	12	12	-	38	18,000	5.28	30,000	8.79	36,000	10.55	1,067	2,131	3,349
5	5	5	24	-	39	18,000	5.28	30,000	8.79	36,000	10.55	1,067	2,131	3,349
5	7	9	18	-	39	18,000	5.28	30,000	8.79	36,000	10.55	1,067	2,131	3,349
5	7	12	15	-	39	18,000	5.28	30,000	8.79	36,000	10.55	1,067	2,131	3,349
9	9	9	12	-	39	18,000	5.28	30,000	8.79	36,000	10.55	1,067	2,131	3,349
7	7	7	18	-	39	18,000	5.28	30,000	8.79	36,000	10.55	1,067	2,131	3,349
5	5	12	18	-	40	18,000	5.28	30,000	8.79	36,000	10.55	1,067	2,131	3,349
7	9	9	15	-	40	18,000	5.28	30,000	8.79	36,000	10.55	1,067	2,131	3,349
7	9	12	12	-	40	18,000	5.28	30,000	8.79	36,000	10.55	1,067	2,131	3,349
5	5	7	24	-	41	18,000	5.28	30,000	8.79	36,000	10.55	1,067	2,131	3,349
5	9	12	15	-	41	18,000	5.28	30,000	8.79	36,000	10.55	1,067	2,131	3,349
5	12	12	12	-	41	18,000	5.28	30,000	8.79	36,000	10.55	1,067	2,131	3,349
7	7	12	15	-	41	18,000	5.28	30,000	8.79	36,000	10.55	1,067	2,131	3,349
7	7	9	18	-	41	18,000	5.28	30,000	8.79	36,000	10.55	1,067	2,131	3,349
5	7	15	15	-	42	18,000	5.28	30,000	8.79	36,000	10.55	1,067	2,131	3,349
9	9	9	15	-	42	18,000	5.28	30,000	8.79	36,000	10.55	1,067	2,131	3,349
9	9	12	12	-	42	18,000	5.28	30,000	8.79	36,000	10.55	1,067	2,131	3,349
7	9	12	15	-	43	18,000	5.28	30,000	8.79	36,000	10.55	1,067	2,131	3,349
7	12	12	12	-	43	18,000	5.28	30,000	8.79	36,000	10.55	1,067	2,131	3,349
7	9	9	18	-	43	18,000	5.28	30,000	8.79	36,000	10.55	1,067	2,131	3,349
5	9	15	15	-	44	18,000	5.28	30,000	8.79	36,000	10.55	1,067	2,131	3,349
7	7	12	18	-	44	18,000	5.28	30,000	8.79	36,000	10.55	1,067	2,131	3,349
7	7	15	15	-	44	18,000	5.28	30,000	8.79	36,000	10.55	1,067	2,131	3,349
5	7	18	15	-	45	18,000	5.28	30,000	8.79	36,000	10.55	1,067	2,131	3,349
9	9	12	15	-	45	18,000	5.28	30,000	8.79	36,000	10.55	1,067	2,131	3,349
9	12	12	12	-	45	18,000	5.28	30,000	8.79	36,000	10.55	1,067	2,131	3,349
9	9	9	18	-	45	18,000	5.28	30,000	8.79	36,000	10.55	1,067	2,131	3,349
7	7	7	24	-	45	18,000	5.28	30,000	8.79	36,000	10.55	1,067	2,131	3,349
7	9	12	18	-	46	18,000	5.28	30,000	8.79	36,000	10.55	1,067	2,131	3,349
7	9	15	15	-	46	18,000	5.28	30,000	8.79	36,000	10.55	1,067	2,131	3,349
7	12	12	15	-	46	18,000	5.28	30,000	8.79	36,000	10.55	1,067	2,131	3,349
5	12	12	18	-	47	18,000	5.28	30,000	8.79	36,000	10.55	1,067	2,131	3,349
7	7	9	24	-	47	18,000	5.28	30,000	8.79	36,000	10.55	1,067	2,131	3,349
7	7	15	18	-	47	18,000	5.28	30,000	8.79	36,000	10.55	1,067	2,131	3,349
5	9	15	18	-	47	18,000	5.28	30,000	8.79	36,000	10.55	1,067	2,131	3,349
5	12	15	15	-	47	18,000	5.28	30,000	8.79	36,000	10.55	1,067	2,131	3,349
9	9	15	15	-	48	18,000	5.28	30,000	8.79	36,000	10.55	1,067	2,131	3,349
12	12	12	12	-	48	18,000	5.28	30,000	8.79	36,000	10.55	1,067	2,131	3,349
9	9	12	18	-	48	18,000	5.28	30,000	8.79	36,000	10.55	1,067	2,131	3,349

5 Units Operation

5	5	5	5	5	25	15,000	4.40	25,000	7.33	30,000	8.79	841	1,517	2,300
---	---	---	---	---	----	--------	------	--------	------	--------	------	-----	-------	-------

Note

- Capacities are based on the following conditions :
 - Cooling : Indoor Ambient Temp. 27°CDB/19°CWB, Outdoor Ambient Temp. 35°CDB/24°CWB
 - Heating : Indoor Ambient Temp. 20°CDB / 15°CWB, Outdoor Ambient Temp. 7°CDB / 6°CWB
 - Interconnected piping is standard length and difference of Elevation (Outdoor ~ Indoor Unit) is 0 m.
- At least two indoor units should be connected. And minimum limit of combination ratio is 40% approximately for rated capacity of outdoor unit.
- Don't exceed the maximum connectable indoor units number, it can be found in Specifications or combination table of outdoor unit model.

4. Combination Table

Combination (Capacity index, kBTU/h)						Cooling								
						Total Capacity						Input (W)		
						Min		Rated		Max				
Unit-A	Unit-B	Unit-C	Unit-D	Unit-E	Total	Btu/h	kW	Btu/h	kW	Btu/h	kW	Min	Rated	Max
5	5	5	5	7	27	16,200	4.75	27,000	7.91	32,400	9.50	906	1,701	2,645
5	5	5	5	9	29	17,400	5.10	29,000	8.50	34,800	10.20	993	1,897	3,026
5	5	5	7	7	29	17,400	5.10	29,000	8.50	34,800	10.20	993	1,897	3,026
5	5	5	7	9	31	18,000	5.28	30,000	8.79	36,000	10.55	1,037	2,000	3,260
5	5	7	7	7	31	18,000	5.28	30,000	8.79	36,000	10.55	1,037	2,000	3,260
5	5	5	5	12	32	18,000	5.28	30,000	8.79	36,000	10.55	1,037	2,000	3,260
5	5	5	9	9	33	18,000	5.28	30,000	8.79	36,000	10.55	1,037	2,000	3,260
5	5	7	7	9	33	18,000	5.28	30,000	8.79	36,000	10.55	1,037	2,000	3,260
5	7	7	7	7	33	18,000	5.28	30,000	8.79	36,000	10.55	1,037	2,000	3,260
5	5	5	7	12	34	18,000	5.28	30,000	8.79	36,000	10.55	1,037	2,000	3,260
5	5	5	5	15	35	18,000	5.28	30,000	8.79	36,000	10.55	1,037	2,000	3,260
5	5	7	9	9	35	18,000	5.28	30,000	8.79	36,000	10.55	1,037	2,000	3,260
5	7	7	7	9	35	18,000	5.28	30,000	8.79	36,000	10.55	1,037	2,000	3,260
7	7	7	7	7	35	18,000	5.28	30,000	8.79	36,000	10.55	1,037	2,000	3,260
5	5	5	9	12	36	18,000	5.28	30,000	8.79	36,000	10.55	1,037	2,000	3,260
5	5	7	7	12	36	18,000	5.28	30,000	8.79	36,000	10.55	1,037	2,000	3,260
5	5	5	7	15	37	18,000	5.28	30,000	8.79	36,000	10.55	1,037	2,000	3,260
5	5	9	9	9	37	18,000	5.28	30,000	8.79	36,000	10.55	1,037	2,000	3,260
5	7	7	9	9	37	18,000	5.28	30,000	8.79	36,000	10.55	1,037	2,000	3,260
7	7	7	7	9	37	18,000	5.28	30,000	8.79	36,000	10.55	1,037	2,000	3,260
5	5	5	5	18	38	18,000	5.28	30,000	8.79	36,000	10.55	1,037	2,000	3,260
5	7	7	7	12	38	18,000	5.28	30,000	8.79	36,000	10.55	1,037	2,000	3,260
5	5	5	9	15	39	18,000	5.28	30,000	8.79	36,000	10.55	1,037	2,000	3,260
5	5	5	12	12	39	18,000	5.28	30,000	8.79	36,000	10.55	1,037	2,000	3,260
5	5	7	7	15	39	18,000	5.28	30,000	8.79	36,000	10.55	1,037	2,000	3,260
7	7	7	9	9	39	18,000	5.28	30,000	8.79	36,000	10.55	1,037	2,000	3,260
5	7	9	9	9	39	18,000	5.28	30,000	8.79	36,000	10.55	1,037	2,000	3,260
5	5	5	7	18	40	18,000	5.28	30,000	8.79	36,000	10.55	1,037	2,000	3,260
5	5	9	9	12	40	18,000	5.28	30,000	8.79	36,000	10.55	1,037	2,000	3,260
5	7	7	9	12	40	18,000	5.28	30,000	8.79	36,000	10.55	1,037	2,000	3,260
7	7	7	7	12	40	18,000	5.28	30,000	8.79	36,000	10.55	1,037	2,000	3,260
5	5	7	9	15	41	18,000	5.28	30,000	8.79	36,000	10.55	1,037	2,000	3,260
5	7	7	7	15	41	18,000	5.28	30,000	8.79	36,000	10.55	1,037	2,000	3,260
5	9	9	9	9	41	18,000	5.28	30,000	8.79	36,000	10.55	1,037	2,000	3,260
7	7	9	9	9	41	18,000	5.28	30,000	8.79	36,000	10.55	1,037	2,000	3,260
5	5	5	9	18	42	18,000	5.28	30,000	8.79	36,000	10.55	1,037	2,000	3,260
5	5	5	12	15	42	18,000	5.28	30,000	8.79	36,000	10.55	1,037	2,000	3,260
5	5	7	7	18	42	18,000	5.28	30,000	8.79	36,000	10.55	1,037	2,000	3,260
5	7	9	9	12	42	18,000	5.28	30,000	8.79	36,000	10.55	1,037	2,000	3,260
7	7	7	9	12	42	18,000	5.28	30,000	8.79	36,000	10.55	1,037	2,000	3,260
5	5	9	9	15	43	18,000	5.28	30,000	8.79	36,000	10.55	1,037	2,000	3,260
5	7	7	9	15	43	18,000	5.28	30,000	8.79	36,000	10.55	1,037	2,000	3,260
5	7	7	12	12	43	18,000	5.28	30,000	8.79	36,000	10.55	1,037	2,000	3,260
7	7	7	7	15	43	18,000	5.28	30,000	8.79	36,000	10.55	1,037	2,000	3,260
7	9	9	9	9	43	18,000	5.28	30,000	8.79	36,000	10.55	1,037	2,000	3,260
5	5	7	12	15	44	18,000	5.28	30,000	8.79	36,000	10.55	1,037	2,000	3,260
5	5	5	5	24	44	18,000	5.28	30,000	8.79	36,000	10.55	1,037	2,000	3,260
5	7	7	7	18	44	18,000	5.28	30,000	8.79	36,000	10.55	1,037	2,000	3,260
5	9	9	9	12	44	18,000	5.28	30,000	8.79	36,000	10.55	1,037	2,000	3,260
7	7	9	9	12	44	18,000	5.28	30,000	8.79	36,000	10.55	1,037	2,000	3,260
5	5	5	12	18	45	18,000	5.28	30,000	8.79	36,000	10.55	1,037	2,000	3,260
5	5	5	15	15	45	18,000	5.28	30,000	8.79	36,000	10.55	1,037	2,000	3,260
5	7	9	9	15	45	18,000	5.28	30,000	8.79	36,000	10.55	1,037	2,000	3,260
5	7	9	12	12	45	18,000	5.28	30,000	8.79	36,000	10.55	1,037	2,000	3,260
7	7	7	9	15	45	18,000	5.28	30,000	8.79	36,000	10.55	1,037	2,000	3,260
7	7	7	12	12	45	18,000	5.28	30,000	8.79	36,000	10.55	1,037	2,000	3,260
9	9	9	9	9	45	18,000	5.28	30,000	8.79	36,000	10.55	1,037	2,000	3,260
5	5	5	7	24	46	18,000	5.28	30,000	8.79	36,000	10.55	1,037	2,000	3,260
5	5	9	9	18	46	18,000	5.28	30,000	8.79	36,000	10.55	1,037	2,000	3,260
5	5	9	12	15	46	18,000	5.28	30,000	8.79	36,000	10.55	1,037	2,000	3,260
5	5	12	12	12	46	18,000	5.28	30,000	8.79	36,000	10.55	1,037	2,000	3,260
5	7	7	9	18	46	18,000	5.28	30,000	8.79	36,000	10.55	1,037	2,000	3,260
5	7	7	12	15	46	18,000	5.28	30,000	8.79	36,000	10.55	1,037	2,000	3,260
7	7	7	7	18	46	18,000	5.28	30,000	8.79	36,000	10.55	1,037	2,000	3,260

Note

- Capacities are based on the following conditions :
 - Cooling : Indoor Ambient Temp. 27°CDB/19°CWB, Outdoor Ambient Temp. 35°CDB/24°CWB
 - Heating : Indoor Ambient Temp. 20°CDB / 15°CWB, Outdoor Ambient Temp. 7°CDB / 6°CWB
 - Interconnected piping is standard length and difference of Elevation (Outdoor ~ Indoor Unit) is 0 m.
- At least two indoor units should be connected. And minimum limit of combination ratio is 40% approximately for rated capacity of outdoor unit.
- Don't exceed the maximum connectable indoor units number, it can be found in Specifications or combination table of outdoor unit model.

4. Combination Table

Combination (Capacity index, kBtu/h)						Cooling								
						Total Capacity						Input (W)		
						Min		Rated		Max				
Unit-A	Unit-B	Unit-C	Unit-D	Unit-E	Total	Btu/h	kW	Btu/h	kW	Btu/h	kW	Min	Rated	Max
7	9	9	9	12	46	18,000	5.28	30,000	8.79	36,000	10.55	1,037	2,000	3,260
5	5	7	15	15	47	18,000	5.28	30,000	8.79	36,000	10.55	1,037	2,000	3,260
5	9	9	9	15	47	18,000	5.28	30,000	8.79	36,000	10.55	1,037	2,000	3,260
5	9	9	12	12	47	18,000	5.28	30,000	8.79	36,000	10.55	1,037	2,000	3,260
7	7	9	9	15	47	18,000	5.28	30,000	8.79	36,000	10.55	1,037	2,000	3,260
7	7	9	12	12	47	18,000	5.28	30,000	8.79	36,000	10.55	1,037	2,000	3,260
5	5	5	9	24	48	18,000	5.28	30,000	8.79	36,000	10.55	1,037	2,000	3,260
5	5	5	18	15	48	18,000	5.28	30,000	8.79	36,000	10.55	1,037	2,000	3,260
5	5	7	7	24	48	18,000	5.28	30,000	8.79	36,000	10.55	1,037	2,000	3,260
5	7	9	9	18	48	18,000	5.28	30,000	8.79	36,000	10.55	1,037	2,000	3,260
5	7	9	12	15	48	18,000	5.28	30,000	8.79	36,000	10.55	1,037	2,000	3,260
5	7	12	12	12	48	18,000	5.28	30,000	8.79	36,000	10.55	1,037	2,000	3,260
7	7	7	12	15	48	18,000	5.28	30,000	8.79	36,000	10.55	1,037	2,000	3,260
9	9	9	9	12	48	18,000	5.28	30,000	8.79	36,000	10.55	1,037	2,000	3,260
7	7	7	9	18	48	18,000	5.28	30,000	8.79	36,000	10.55	1,037	2,000	3,260

Note

- Capacities are based on the following conditions :
 - Cooling : Indoor Ambient Temp. 27°CDB/19°CWB, Outdoor Ambient Temp. 35°CDB/24°CWB
 - Heating : Indoor Ambient Temp. 20°CDB / 15°CWB, Outdoor Ambient Temp. 7°CDB / 6°CWB
 - Interconnected piping is standard length and difference of Elevation (Outdoor ~ Indoor Unit) is 0 m.
- At least two indoor units should be connected. And minimum limit of combination ratio is 40% approximately for rated capacity of outdoor unit.
- Don't exceed the maximum connectable indoor units number, it can be found in Specifications or combination table of outdoor unit model.

4. Combination Table

◆ Heating

Combination (Capacity index, kBtu/h)						Heating									
						Total Capacity						Input (W)			
Unit-A	Unit-B	Unit-C	Unit-D	Unit-E	Total	Min		Rated		Max		Min	Rated	Max	
						Btu/h	kW	Btu/h	kW	Btu/h	kW				
1 Unit Operation															
5	-	-	-	-	5	5,000	1.47	5,500	1.61	6,325	1.85	610	610	714	
7	-	-	-	-	7	5,500	1.61	8,400	2.46	9,660	2.83	610	636	825	
9	-	-	-	-	9	6,480	1.90	10,800	3.17	12,420	3.64	610	826	1,077	
12	-	-	-	-	12	7,920	2.32	13,200	3.87	15,180	4.45	583	1,021	1,338	
15	-	-	-	-	15	9,900	2.90	16,500	4.84	18,975	5.56	744	1,279	1,744	
18	-	-	-	-	18	11,880	3.48	19,800	5.80	22,770	6.67	909	1,577	2,133	
24	-	-	-	-	24	15,240	4.47	25,400	7.44	26,670	7.82	1,192	2,077	2,538	
2 Units Operation															
5	5	-	-	-	10	7,200	2.11	12,000	3.52	14,400	4.22	451	773	1,081	
5	7	-	-	-	12	8,640	2.53	14,400	4.22	17,280	5.06	541	940	1,337	
5	9	-	-	-	14	10,080	2.95	16,800	4.92	20,160	5.91	656	1,112	1,571	
7	7	-	-	-	14	10,080	2.95	16,800	4.92	20,160	5.91	656	1,112	1,571	
7	9	-	-	-	16	11,520	3.38	19,200	5.63	23,040	6.75	749	1,289	1,844	
5	12	-	-	-	17	12,240	3.59	20,400	5.98	24,480	7.17	796	1,392	1,968	
9	9	-	-	-	18	12,960	3.80	21,600	6.33	25,920	7.60	844	1,471	2,094	
7	12	-	-	-	19	13,680	4.01	22,800	6.68	27,360	8.02	892	1,577	2,222	
5	15	-	-	-	20	14,400	4.22	24,000	7.03	28,800	8.44	940	1,657	2,352	
9	12	-	-	-	21	15,120	4.43	25,200	7.39	30,240	8.86	989	1,766	2,568	
7	15	-	-	-	22	15,840	4.64	26,400	7.74	31,680	9.28	1,038	1,848	2,811	
5	18	-	-	-	23	16,560	4.85	27,600	8.09	33,120	9.71	1,112	1,960	3,127	
9	15	-	-	-	24	17,280	5.06	28,800	8.44	34,560	10.13	1,162	2,045	3,473	
12	12	-	-	-	24	17,280	5.06	28,800	8.44	34,560	10.13	1,162	2,045	3,473	
7	18	-	-	-	25	18,000	5.28	30,000	8.79	34,560	10.13	1,213	2,194	3,473	
9	18	-	-	-	27	19,440	5.70	32,400	9.50	34,560	10.13	1,315	2,579	3,473	
12	15	-	-	-	27	19,440	5.70	32,400	9.50	34,560	10.13	1,315	2,579	3,473	
5	24	-	-	-	29	20,700	6.07	34,500	10.11	34,560	10.13	1,418	3,020	3,473	
12	18	-	-	-	30	20,700	6.07	34,500	10.11	34,560	10.13	1,418	3,020	3,473	
15	15	-	-	-	30	20,700	6.07	34,500	10.11	34,560	10.13	1,418	3,020	3,473	
7	24	-	-	-	31	20,700	6.07	34,500	10.11	34,560	10.13	1,418	3,020	3,473	
9	24	-	-	-	33	20,700	6.07	34,500	10.11	34,560	10.13	1,418	3,020	3,473	
15	18	-	-	-	33	20,700	6.07	34,500	10.11	34,560	10.13	1,418	3,020	3,473	
18	18	-	-	-	36	20,700	6.07	34,500	10.11	34,560	10.13	1,418	3,020	3,473	
12	24	-	-	-	36	20,700	6.07	34,500	10.11	34,560	10.13	1,418	3,020	3,473	
15	24	-	-	-	39	20,700	6.07	34,500	10.11	34,560	10.13	1,418	3,020	3,473	
18	24	-	-	-	42	20,700	6.07	34,500	10.11	34,560	10.13	1,418	3,020	3,473	
24	24	-	-	-	48	20,700	6.07	34,500	10.11	34,560	10.13	1,418	3,020	3,473	
3 Units Operation															
5	5	5	-	-	15	10,800	3.17	18,000	5.28	21,600	6.33	660	1,140	1,590	
5	5	7	-	-	17	12,240	3.59	20,400	5.98	24,480	7.17	748	1,309	1,850	
5	5	9	-	-	19	13,680	4.01	22,800	6.68	27,360	8.02	838	1,482	2,089	
5	7	7	-	-	19	13,680	4.01	22,800	6.68	27,360	8.02	838	1,482	2,089	
5	7	9	-	-	21	15,120	4.43	25,200	7.39	30,240	8.86	930	1,660	2,414	
7	7	7	-	-	21	15,120	4.43	25,200	7.39	30,240	8.86	930	1,660	2,414	
5	5	12	-	-	22	15,840	4.64	26,400	7.74	31,680	9.28	976	1,738	2,590	
5	9	9	-	-	23	16,560	4.85	27,600	8.09	33,120	9.71	1,046	1,842	2,767	
7	7	9	-	-	23	16,560	4.85	27,600	8.09	33,120	9.71	1,046	1,842	2,767	
5	7	12	-	-	24	17,280	5.06	28,800	8.44	34,560	10.13	1,093	1,922	2,951	
5	5	15	-	-	25	18,000	5.28	30,000	8.79	36,000	10.55	1,140	2,063	3,192	
7	9	9	-	-	25	18,000	5.28	30,000	8.79	36,000	10.55	1,140	2,063	3,192	
5	9	12	-	-	26	18,720	5.49	31,200	9.14	37,440	10.97	1,188	2,177	3,393	
7	7	12	-	-	26	18,720	5.49	31,200	9.14	37,440	10.97	1,188	2,177	3,393	
5	7	15	-	-	27	19,440	5.70	32,400	9.50	38,640	11.32	1,236	2,328	3,602	
9	9	9	-	-	27	19,440	5.70	32,400	9.50	38,640	11.32	1,236	2,328	3,602	
7	9	12	-	-	28	20,160	5.91	33,600	9.85	38,640	11.32	1,284	2,445	3,602	
5	5	18	-	-	28	20,160	5.91	33,600	9.85	38,640	11.32	1,284	2,445	3,602	
5	9	15	-	-	29	20,700	6.07	34,500	10.11	38,640	11.32	1,333	2,566	3,602	
5	12	12	-	-	29	20,700	6.07	34,500	10.11	38,640	11.32	1,333	2,566	3,602	
7	7	15	-	-	29	20,700	6.07	34,500	10.11	38,640	11.32	1,333	2,566	3,602	
5	7	18	-	-	30	20,700	6.07	34,500	10.11	38,640	11.32	1,333	2,566	3,602	
9	9	12	-	-	30	20,700	6.07	34,500	10.11	38,640	11.32	1,333	2,566	3,602	
7	9	15	-	-	31	20,700	6.07	34,500	10.11	38,640	11.32	1,333	2,566	3,602	
7	12	12	-	-	31	20,700	6.07	34,500	10.11	38,640	11.32	1,333	2,566	3,602	

Note

1. Capacities are based on the following conditions :

- Cooling : Indoor Ambient Temp. 27°CDB/19°CWB, Outdoor Ambient Temp. 35°CDB/24°CWB
- Heating : Indoor Ambient Temp. 20°CDB / 15°CWB, Outdoor Ambient Temp. 7°CDB / 6°CWB
- Interconnected piping is standard length and difference of Elevation (Outdoor ~ Indoor Unit) is 0 m.

2. At least two indoor units should be connected. And minimum limit of combination ratio is 40% approximately for rated capacity of outdoor unit.

3. Don't exceed the maximum connectable indoor units number, it can be found in Specifications or combination table of outdoor unit model.

4. Combination Table

Combination (Capacity index, kBTU/h)						Heating								
						Total Capacity						Input (W)		
												Min	Rated	Max
Unit-A	Unit-B	Unit-C	Unit-D	Unit-E	Total	Btu/h	kW	Btu/h	kW	Btu/h	kW	Min	Rated	Max
5	12	15	-	-	32	20,700	6.07	34,500	10.11	38,640	11.32	1,333	2,566	3,602
5	9	18	-	-	32	20,700	6.07	34,500	10.11	38,640	11.32	1,333	2,566	3,602
7	7	18	-	-	32	20,700	6.07	34,500	10.11	38,640	11.32	1,333	2,566	3,602
9	9	15	-	-	33	20,700	6.07	34,500	10.11	38,640	11.32	1,333	2,566	3,602
9	12	12	-	-	33	20,700	6.07	34,500	10.11	38,640	11.32	1,333	2,566	3,602
7	9	18	-	-	34	20,700	6.07	34,500	10.11	38,640	11.32	1,333	2,566	3,602
7	12	15	-	-	34	20,700	6.07	34,500	10.11	38,640	11.32	1,333	2,566	3,602
5	5	24	-	-	34	20,700	6.07	34,500	10.11	38,640	11.32	1,333	2,566	3,602
5	12	18	-	-	35	20,700	6.07	34,500	10.11	38,640	11.32	1,333	2,566	3,602
5	15	15	-	-	35	20,700	6.07	34,500	10.11	38,640	11.32	1,333	2,566	3,602
5	7	24	-	-	36	20,700	6.07	34,500	10.11	38,640	11.32	1,333	2,566	3,602
9	12	15	-	-	36	20,700	6.07	34,500	10.11	38,640	11.32	1,333	2,566	3,602
12	12	12	-	-	36	20,700	6.07	34,500	10.11	38,640	11.32	1,333	2,566	3,602
9	9	18	-	-	36	20,700	6.07	34,500	10.11	38,640	11.32	1,333	2,566	3,602
7	12	18	-	-	37	20,700	6.07	34,500	10.11	38,640	11.32	1,333	2,566	3,602
7	15	15	-	-	37	20,700	6.07	34,500	10.11	38,640	11.32	1,333	2,566	3,602
5	9	24	-	-	38	20,700	6.07	34,500	10.11	38,640	11.32	1,333	2,566	3,602
5	15	18	-	-	38	20,700	6.07	34,500	10.11	38,640	11.32	1,333	2,566	3,602
7	7	24	-	-	38	20,700	6.07	34,500	10.11	38,640	11.32	1,333	2,566	3,602
9	12	18	-	-	39	20,700	6.07	34,500	10.11	38,640	11.32	1,333	2,566	3,602
9	15	15	-	-	39	20,700	6.07	34,500	10.11	38,640	11.32	1,333	2,566	3,602
12	12	15	-	-	39	20,700	6.07	34,500	10.11	38,640	11.32	1,333	2,566	3,602
7	9	24	-	-	40	20,700	6.07	34,500	10.11	38,640	11.32	1,333	2,566	3,602
7	15	18	-	-	40	20,700	6.07	34,500	10.11	38,640	11.32	1,333	2,566	3,602
5	12	24	-	-	41	20,700	6.07	34,500	10.11	38,640	11.32	1,333	2,566	3,602
5	18	18	-	-	41	20,700	6.07	34,500	10.11	38,640	11.32	1,333	2,566	3,602
12	12	18	-	-	42	20,700	6.07	34,500	10.11	38,640	11.32	1,333	2,566	3,602
9	9	24	-	-	42	20,700	6.07	34,500	10.11	38,640	11.32	1,333	2,566	3,602
9	15	18	-	-	42	20,700	6.07	34,500	10.11	38,640	11.32	1,333	2,566	3,602
12	15	15	-	-	42	20,700	6.07	34,500	10.11	38,640	11.32	1,333	2,566	3,602
7	18	18	-	-	43	20,700	6.07	34,500	10.11	38,640	11.32	1,333	2,566	3,602
7	12	24	-	-	43	20,700	6.07	34,500	10.11	38,640	11.32	1,333	2,566	3,602
5	15	24	-	-	44	20,700	6.07	34,500	10.11	38,640	11.32	1,333	2,566	3,602
9	18	18	-	-	45	20,700	6.07	34,500	10.11	38,640	11.32	1,333	2,566	3,602
9	12	24	-	-	45	20,700	6.07	34,500	10.11	38,640	11.32	1,333	2,566	3,602
12	15	18	-	-	45	20,700	6.07	34,500	10.11	38,640	11.32	1,333	2,566	3,602
15	15	15	-	-	45	20,700	6.07	34,500	10.11	38,640	11.32	1,333	2,566	3,602
7	15	24	-	-	46	20,700	6.07	34,500	10.11	38,640	11.32	1,333	2,566	3,602
5	18	24	-	-	47	20,700	6.07	34,500	10.11	38,640	11.32	1,333	2,566	3,602
9	15	24	-	-	48	20,700	6.07	34,500	10.11	38,640	11.32	1,333	2,566	3,602
12	18	18	-	-	48	20,700	6.07	34,500	10.11	38,640	11.32	1,333	2,566	3,602
12	12	24	-	-	48	20,700	6.07	34,500	10.11	38,640	11.32	1,333	2,566	3,602
15	15	18	-	-	48	20,700	6.07	34,500	10.11	38,640	11.32	1,333	2,566	3,602
4 Units Operation														
5	5	5	5	-	20	14,400	4.22	24,000	7.03	28,800	8.44	840	1,480	2,100
5	5	5	7	-	22	15,840	4.64	26,400	7.74	31,680	9.28	927	1,651	2,470
5	5	5	9	-	24	17,280	5.06	28,800	8.44	34,560	10.13	1,038	1,826	2,861
5	5	7	7	-	24	17,280	5.06	28,800	8.44	34,560	10.13	1,038	1,826	2,861
5	5	7	9	-	26	18,720	5.49	31,200	9.14	37,440	10.97	1,128	2,068	3,349
5	7	7	7	-	26	18,720	5.49	31,200	9.14	37,440	10.97	1,128	2,068	3,349
5	5	5	12	-	27	19,440	5.70	32,400	9.50	38,640	11.32	1,174	2,230	3,524
5	5	9	9	-	28	20,160	5.91	33,600	9.85	38,640	11.32	1,220	2,356	3,524
5	7	7	9	-	28	20,160	5.91	33,600	9.85	38,640	11.32	1,220	2,356	3,524
7	7	7	7	-	28	20,160	5.91	33,600	9.85	38,640	11.32	1,220	2,356	3,524
5	5	7	12	-	29	20,700	6.07	34,500	10.11	38,640	11.32	1,267	2,487	3,524
5	5	5	15	-	30	20,700	6.07	34,500	10.11	38,640	11.32	1,267	2,487	3,524
5	7	9	9	-	30	20,700	6.07	34,500	10.11	38,640	11.32	1,267	2,487	3,524
7	7	7	9	-	30	20,700	6.07	34,500	10.11	38,640	11.32	1,267	2,487	3,524
5	5	9	12	-	31	20,700	6.07	34,500	10.11	38,640	11.32	1,267	2,487	3,524
5	7	7	12	-	31	20,700	6.07	34,500	10.11	38,640	11.32	1,267	2,487	3,524
5	5	7	15	-	32	20,700	6.07	34,500	10.11	38,640	11.32	1,267	2,487	3,524
7	7	9	9	-	32	20,700	6.07	34,500	10.11	38,640	11.32	1,267	2,487	3,524
5	9	9	9	-	32	20,700	6.07	34,500	10.11	38,640	11.32	1,267	2,487	3,524
5	5	5	18	-	33	20,700	6.07	34,500	10.11	38,640	11.32	1,267	2,487	3,524

Note

- Capacities are based on the following conditions :
 - Cooling : Indoor Ambient Temp. 27°CDB/19°CWB, Outdoor Ambient Temp. 35°CDB/24°CWB
 - Heating : Indoor Ambient Temp. 20°CDB / 15°CWB, Outdoor Ambient Temp. 7°CDB / 6°CWB
 - Interconnected piping is standard length and difference of Elevation (Outdoor ~ Indoor Unit) is 0 m.
- At least two indoor units should be connected. And minimum limit of combination ratio is 40% approximately for rated capacity of outdoor unit.
- Don't exceed the maximum connectable indoor units number, it can be found in Specifications or combination table of outdoor unit model.

4. Combination Table

Combination (Capacity index, kBtu/h)						Heating								
						Total Capacity						Input (W)		
												Min	Rated	Max
Unit-A	Unit-B	Unit-C	Unit-D	Unit-E	Total	Btu/h	kW	Btu/h	kW	Btu/h	kW	Min	Rated	Max
5	7	9	12	-	33	20,700	6.07	34,500	10.11	38,640	11.32	1,267	2,487	3,524
7	7	7	12	-	33	20,700	6.07	34,500	10.11	38,640	11.32	1,267	2,487	3,524
5	5	9	15	-	34	20,700	6.07	34,500	10.11	38,640	11.32	1,267	2,487	3,524
5	5	12	12	-	34	20,700	6.07	34,500	10.11	38,640	11.32	1,267	2,487	3,524
5	7	7	15	-	34	20,700	6.07	34,500	10.11	38,640	11.32	1,267	2,487	3,524
7	9	9	9	-	34	20,700	6.07	34,500	10.11	38,640	11.32	1,267	2,487	3,524
5	5	7	18	-	35	20,700	6.07	34,500	10.11	38,640	11.32	1,267	2,487	3,524
5	9	9	12	-	35	20,700	6.07	34,500	10.11	38,640	11.32	1,267	2,487	3,524
7	7	9	12	-	35	20,700	6.07	34,500	10.11	38,640	11.32	1,267	2,487	3,524
5	7	9	15	-	36	20,700	6.07	34,500	10.11	38,640	11.32	1,267	2,487	3,524
5	7	12	12	-	36	20,700	6.07	34,500	10.11	38,640	11.32	1,267	2,487	3,524
7	7	7	15	-	36	20,700	6.07	34,500	10.11	38,640	11.32	1,267	2,487	3,524
9	9	9	9	-	36	20,700	6.07	34,500	10.11	38,640	11.32	1,267	2,487	3,524
5	5	9	18	-	37	20,700	6.07	34,500	10.11	38,640	11.32	1,267	2,487	3,524
5	5	12	15	-	37	20,700	6.07	34,500	10.11	38,640	11.32	1,267	2,487	3,524
5	7	7	18	-	37	20,700	6.07	34,500	10.11	38,640	11.32	1,267	2,487	3,524
7	9	9	12	-	37	20,700	6.07	34,500	10.11	38,640	11.32	1,267	2,487	3,524
5	9	9	15	-	38	20,700	6.07	34,500	10.11	38,640	11.32	1,267	2,487	3,524
7	7	9	15	-	38	20,700	6.07	34,500	10.11	38,640	11.32	1,267	2,487	3,524
7	7	12	12	-	38	20,700	6.07	34,500	10.11	38,640	11.32	1,267	2,487	3,524
5	5	5	24	-	39	20,700	6.07	34,500	10.11	38,640	11.32	1,267	2,487	3,524
5	7	9	18	-	39	20,700	6.07	34,500	10.11	38,640	11.32	1,267	2,487	3,524
5	7	12	15	-	39	20,700	6.07	34,500	10.11	38,640	11.32	1,267	2,487	3,524
9	9	9	12	-	39	20,700	6.07	34,500	10.11	38,640	11.32	1,267	2,487	3,524
7	7	7	18	-	39	20,700	6.07	34,500	10.11	38,640	11.32	1,267	2,487	3,524
5	5	12	18	-	40	20,700	6.07	34,500	10.11	38,640	11.32	1,267	2,487	3,524
7	9	9	15	-	40	20,700	6.07	34,500	10.11	38,640	11.32	1,267	2,487	3,524
7	9	12	12	-	40	20,700	6.07	34,500	10.11	38,640	11.32	1,267	2,487	3,524
5	5	7	24	-	41	20,700	6.07	34,500	10.11	38,640	11.32	1,267	2,487	3,524
5	9	12	15	-	41	20,700	6.07	34,500	10.11	38,640	11.32	1,267	2,487	3,524
5	12	12	12	-	41	20,700	6.07	34,500	10.11	38,640	11.32	1,267	2,487	3,524
7	7	12	15	-	41	20,700	6.07	34,500	10.11	38,640	11.32	1,267	2,487	3,524
7	7	9	18	-	41	20,700	6.07	34,500	10.11	38,640	11.32	1,267	2,487	3,524
5	7	15	15	-	42	20,700	6.07	34,500	10.11	38,640	11.32	1,267	2,487	3,524
9	9	9	15	-	42	20,700	6.07	34,500	10.11	38,640	11.32	1,267	2,487	3,524
9	9	12	12	-	42	20,700	6.07	34,500	10.11	38,640	11.32	1,267	2,487	3,524
7	9	12	15	-	43	20,700	6.07	34,500	10.11	38,640	11.32	1,267	2,487	3,524
7	12	12	12	-	43	20,700	6.07	34,500	10.11	38,640	11.32	1,267	2,487	3,524
7	9	9	18	-	43	20,700	6.07	34,500	10.11	38,640	11.32	1,267	2,487	3,524
5	9	15	15	-	44	20,700	6.07	34,500	10.11	38,640	11.32	1,267	2,487	3,524
7	7	12	18	-	44	20,700	6.07	34,500	10.11	38,640	11.32	1,267	2,487	3,524
7	7	15	15	-	44	20,700	6.07	34,500	10.11	38,640	11.32	1,267	2,487	3,524
5	7	18	15	-	45	20,700	6.07	34,500	10.11	38,640	11.32	1,267	2,487	3,524
9	9	12	15	-	45	20,700	6.07	34,500	10.11	38,640	11.32	1,267	2,487	3,524
9	12	12	12	-	45	20,700	6.07	34,500	10.11	38,640	11.32	1,267	2,487	3,524
9	9	9	18	-	45	20,700	6.07	34,500	10.11	38,640	11.32	1,267	2,487	3,524
7	7	7	24	-	45	20,700	6.07	34,500	10.11	38,640	11.32	1,267	2,487	3,524
7	9	12	18	-	46	20,700	6.07	34,500	10.11	38,640	11.32	1,267	2,487	3,524
7	9	15	15	-	46	20,700	6.07	34,500	10.11	38,640	11.32	1,267	2,487	3,524
7	12	12	15	-	46	20,700	6.07	34,500	10.11	38,640	11.32	1,267	2,487	3,524
5	12	12	18	-	47	20,700	6.07	34,500	10.11	38,640	11.32	1,267	2,487	3,524
7	7	9	24	-	47	20,700	6.07	34,500	10.11	38,640	11.32	1,267	2,487	3,524
7	7	15	18	-	47	20,700	6.07	34,500	10.11	38,640	11.32	1,267	2,487	3,524
5	9	15	18	-	47	20,700	6.07	34,500	10.11	38,640	11.32	1,267	2,487	3,524
5	12	15	15	-	47	20,700	6.07	34,500	10.11	38,640	11.32	1,267	2,487	3,524
9	9	15	15	-	48	20,700	6.07	34,500	10.11	38,640	11.32	1,267	2,487	3,524
12	12	12	12	-	48	20,700	6.07	34,500	10.11	38,640	11.32	1,267	2,487	3,524
9	9	12	18	-	48	20,700	6.07	34,500	10.11	38,640	11.32	1,267	2,487	3,524
5 Units Operation														
5	5	5	5	5	25	18,000	5.28	30,000	8.79	36,000	10.55	1,025	1,824	2,700
5	5	5	5	7	27	19,440	5.70	32,400	9.50	38,880	11.40	1,111	1,997	3,096
5	5	5	5	9	29	20,700	6.07	34,500	10.11	41,400	12.13	1,198	2,149	3,477
5	5	5	7	7	29	20,700	6.07	34,500	10.11	41,400	12.13	1,198	2,149	3,477
5	5	5	7	9	31	20,700	6.07	34,500	10.11	41,400	12.13	1,198	2,149	3,477

Note

- Capacities are based on the following conditions :
 - Cooling : Indoor Ambient Temp. 27°CDB/19°CWB, Outdoor Ambient Temp. 35°CDB/24°CWB
 - Heating : Indoor Ambient Temp. 20°CDB / 15°CWB, Outdoor Ambient Temp. 7°CDB / 6°CWB
 - Interconnected piping is standard length and difference of Elevation (Outdoor ~ Indoor Unit) is 0 m.
- At least two indoor units should be connected. And minimum limit of combination ratio is 40% approximately for rated capacity of outdoor unit.
- Don't exceed the maximum connectable indoor units number, it can be found in Specifications or combination table of outdoor unit model.

4. Combination Table

Combination (Capacity index, kBtu/h)						Heating								
						Total Capacity						Input (W)		
						Min		Rated		Max				
Unit-A	Unit-B	Unit-C	Unit-D	Unit-E	Total	Btu/h	kW	Btu/h	kW	Btu/h	kW	Min	Rated	Max
5	5	7	7	7	31	20,700	6.07	34,500	10.11	41,400	12.13	1,198	2,149	3,477
5	5	5	5	12	32	20,700	6.07	34,500	10.11	41,400	12.13	1,198	2,149	3,477
5	5	5	9	9	33	20,700	6.07	34,500	10.11	41,400	12.13	1,198	2,149	3,477
5	5	7	7	9	33	20,700	6.07	34,500	10.11	41,400	12.13	1,198	2,149	3,477
5	7	7	7	7	33	20,700	6.07	34,500	10.11	41,400	12.13	1,198	2,149	3,477
5	5	5	7	12	34	20,700	6.07	34,500	10.11	41,400	12.13	1,198	2,149	3,477
5	5	5	5	15	35	20,700	6.07	34,500	10.11	41,400	12.13	1,198	2,149	3,477
5	5	7	9	9	35	20,700	6.07	34,500	10.11	41,400	12.13	1,198	2,149	3,477
5	7	7	7	9	35	20,700	6.07	34,500	10.11	41,400	12.13	1,198	2,149	3,477
7	7	7	7	7	35	20,700	6.07	34,500	10.11	41,400	12.13	1,198	2,149	3,477
5	5	5	9	12	36	20,700	6.07	34,500	10.11	41,400	12.13	1,198	2,149	3,477
5	5	7	7	12	36	20,700	6.07	34,500	10.11	41,400	12.13	1,198	2,149	3,477
5	5	5	7	15	37	20,700	6.07	34,500	10.11	41,400	12.13	1,198	2,149	3,477
5	5	9	9	9	37	20,700	6.07	34,500	10.11	41,400	12.13	1,198	2,149	3,477
5	7	7	9	9	37	20,700	6.07	34,500	10.11	41,400	12.13	1,198	2,149	3,477
7	7	7	7	9	37	20,700	6.07	34,500	10.11	41,400	12.13	1,198	2,149	3,477
5	5	5	5	18	38	20,700	6.07	34,500	10.11	41,400	12.13	1,198	2,149	3,477
5	7	7	7	12	38	20,700	6.07	34,500	10.11	41,400	12.13	1,198	2,149	3,477
5	5	5	9	15	39	20,700	6.07	34,500	10.11	41,400	12.13	1,198	2,149	3,477
5	5	5	12	12	39	20,700	6.07	34,500	10.11	41,400	12.13	1,198	2,149	3,477
5	5	7	7	15	39	20,700	6.07	34,500	10.11	41,400	12.13	1,198	2,149	3,477
7	7	7	9	9	39	20,700	6.07	34,500	10.11	41,400	12.13	1,198	2,149	3,477
5	7	9	9	9	39	20,700	6.07	34,500	10.11	41,400	12.13	1,198	2,149	3,477
5	5	5	7	18	40	20,700	6.07	34,500	10.11	41,400	12.13	1,198	2,149	3,477
5	5	9	9	12	40	20,700	6.07	34,500	10.11	41,400	12.13	1,198	2,149	3,477
5	7	7	9	12	40	20,700	6.07	34,500	10.11	41,400	12.13	1,198	2,149	3,477
7	7	7	7	12	40	20,700	6.07	34,500	10.11	41,400	12.13	1,198	2,149	3,477
5	5	7	9	15	41	20,700	6.07	34,500	10.11	41,400	12.13	1,198	2,149	3,477
5	7	7	7	15	41	20,700	6.07	34,500	10.11	41,400	12.13	1,198	2,149	3,477
5	9	9	9	9	41	20,700	6.07	34,500	10.11	41,400	12.13	1,198	2,149	3,477
7	7	9	9	9	41	20,700	6.07	34,500	10.11	41,400	12.13	1,198	2,149	3,477
5	5	5	9	18	42	20,700	6.07	34,500	10.11	41,400	12.13	1,198	2,149	3,477
5	5	5	12	15	42	20,700	6.07	34,500	10.11	41,400	12.13	1,198	2,149	3,477
5	5	7	7	18	42	20,700	6.07	34,500	10.11	41,400	12.13	1,198	2,149	3,477
5	7	9	9	12	42	20,700	6.07	34,500	10.11	41,400	12.13	1,198	2,149	3,477
7	7	7	9	12	42	20,700	6.07	34,500	10.11	41,400	12.13	1,198	2,149	3,477
5	5	9	9	15	43	20,700	6.07	34,500	10.11	41,400	12.13	1,198	2,149	3,477
5	7	7	9	15	43	20,700	6.07	34,500	10.11	41,400	12.13	1,198	2,149	3,477
5	7	7	12	12	43	20,700	6.07	34,500	10.11	41,400	12.13	1,198	2,149	3,477
7	7	7	7	15	43	20,700	6.07	34,500	10.11	41,400	12.13	1,198	2,149	3,477
7	9	9	9	9	43	20,700	6.07	34,500	10.11	41,400	12.13	1,198	2,149	3,477
5	5	7	12	15	44	20,700	6.07	34,500	10.11	41,400	12.13	1,198	2,149	3,477
5	5	5	5	24	44	20,700	6.07	34,500	10.11	41,400	12.13	1,198	2,149	3,477
5	7	7	7	18	44	20,700	6.07	34,500	10.11	41,400	12.13	1,198	2,149	3,477
5	9	9	9	12	44	20,700	6.07	34,500	10.11	41,400	12.13	1,198	2,149	3,477
7	7	9	9	12	44	20,700	6.07	34,500	10.11	41,400	12.13	1,198	2,149	3,477
5	5	5	12	18	45	20,700	6.07	34,500	10.11	41,400	12.13	1,198	2,149	3,477
5	5	5	15	15	45	20,700	6.07	34,500	10.11	41,400	12.13	1,198	2,149	3,477
5	7	9	9	15	45	20,700	6.07	34,500	10.11	41,400	12.13	1,198	2,149	3,477
5	7	7	9	15	45	20,700	6.07	34,500	10.11	41,400	12.13	1,198	2,149	3,477
7	7	7	9	15	45	20,700	6.07	34,500	10.11	41,400	12.13	1,198	2,149	3,477
7	7	7	12	12	45	20,700	6.07	34,500	10.11	41,400	12.13	1,198	2,149	3,477
9	9	9	9	9	45	20,700	6.07	34,500	10.11	41,400	12.13	1,198	2,149	3,477
5	5	5	7	24	46	20,700	6.07	34,500	10.11	41,400	12.13	1,198	2,149	3,477
5	5	9	9	18	46	20,700	6.07	34,500	10.11	41,400	12.13	1,198	2,149	3,477
5	5	9	12	15	46	20,700	6.07	34,500	10.11	41,400	12.13	1,198	2,149	3,477
5	5	12	12	12	46	20,700	6.07	34,500	10.11	41,400	12.13	1,198	2,149	3,477
5	7	7	9	18	46	20,700	6.07	34,500	10.11	41,400	12.13	1,198	2,149	3,477
5	7	7	12	15	46	20,700	6.07	34,500	10.11	41,400	12.13	1,198	2,149	3,477
7	7	7	7	18	46	20,700	6.07	34,500	10.11	41,400	12.13	1,198	2,149	3,477
7	9	9	9	12	46	20,700	6.07	34,500	10.11	41,400	12.13	1,198	2,149	3,477
5	5	7	15	15	47	20,700	6.07	34,500	10.11	41,400	12.13	1,198	2,149	3,477
5	9	9	9	15	47	20,700	6.07	34,500	10.11	41,400	12.13	1,198	2,149	3,477
5	9	9	12	12	47	20,700	6.07	34,500	10.11	41,400	12.13	1,198	2,149	3,477

Note

- Capacities are based on the following conditions :
 - Cooling : Indoor Ambient Temp. 27°CDB/19°CWB, Outdoor Ambient Temp. 35°CDB/24°CWB
 - Heating : Indoor Ambient Temp. 20°CDB / 15°CWB, Outdoor Ambient Temp. 7°CDB / 6°CWB
 - Interconnected piping is standard length and difference of Elevation (Outdoor ~ Indoor Unit) is 0 m.
- At least two indoor units should be connected. And minimum limit of combination ratio is 40% approximately for rated capacity of outdoor unit.
- Don't exceed the maximum connectable indoor units number, it can be found in Specifications or combination table of outdoor unit model.

4. Combination Table

Combination (Capacity index, kBtu/h)						Heating								
						Total Capacity						Input (W)		
						Min		Rated		Max				
Unit-A	Unit-B	Unit-C	Unit-D	Unit-E	Total	Btu/h	kW	Btu/h	kW	Btu/h	kW	Min	Rated	Max
7	7	9	9	15	47	20,700	6.07	34,500	10.11	41,400	12.13	1,198	2,149	3,477
7	7	9	12	12	47	20,700	6.07	34,500	10.11	41,400	12.13	1,198	2,149	3,477
5	5	5	9	24	48	20,700	6.07	34,500	10.11	41,400	12.13	1,198	2,149	3,477
5	5	5	18	15	48	20,700	6.07	34,500	10.11	41,400	12.13	1,198	2,149	3,477
5	5	7	7	24	48	20,700	6.07	34,500	10.11	41,400	12.13	1,198	2,149	3,477
5	7	9	9	18	48	20,700	6.07	34,500	10.11	41,400	12.13	1,198	2,149	3,477
5	7	9	12	15	48	20,700	6.07	34,500	10.11	41,400	12.13	1,198	2,149	3,477
5	7	12	12	12	48	20,700	6.07	34,500	10.11	41,400	12.13	1,198	2,149	3,477
7	7	7	12	15	48	20,700	6.07	34,500	10.11	41,400	12.13	1,198	2,149	3,477
9	9	9	9	12	48	20,700	6.07	34,500	10.11	41,400	12.13	1,198	2,149	3,477
7	7	7	9	18	48	20,700	6.07	34,500	10.11	41,400	12.13	1,198	2,149	3,477

Note

1. Capacities are based on the following conditions :

- Cooling : Indoor Ambient Temp. 27°CDB/19°CWB, Outdoor Ambient Temp. 35°CDB/24°CWB
- Heating : Indoor Ambient Temp. 20°CDB / 15°CWB, Outdoor Ambient Temp. 7°CDB / 6°CWB
- Interconnected piping is standard length and difference of Elevation (Outdoor ~ Indoor Unit) is 0 m.

2. At least two indoor units should be connected. And minimum limit of combination ratio is 40% approximately for rated capacity of outdoor unit.

3. Don't exceed the maximum connectable indoor units number, it can be found in Specifications or combination table of outdoor unit model.

5. Capacity tables

5.1 Z2UW14GFA0 [MU2R15 UL0]

◆ Cooling Capacity

Cooling Capacity [-14G-]

Combination capacity index (kBtu/h)	Outdoor Air Temp. (°CDB)	Indoor Air Temp. (°CWB)												
		14		16		18		19		22		24		
		TC	PI	TC	PI	TC	PI	TC	PI	TC	PI	TC	PI	
1 Unit Operation														
5	22	1.03	0.18	1.29	0.24	1.48	0.30	1.63	0.31	1.78	0.32	1.90	0.32	
	25	0.97	0.20	1.23	0.26	1.43	0.32	1.58	0.33	1.73	0.35	1.84	0.35	
	32	0.89	0.23	1.15	0.29	1.35	0.36	1.50	0.37	1.65	0.38	1.76	0.38	
	35	0.86	0.24	1.12	0.30	1.32	0.37	1.47	0.38	1.62	0.39	1.73	0.40	
	40	0.80	0.26	1.06	0.32	1.26	0.39	1.41	0.41	1.56	0.42	1.67	0.42	
	43	0.77	0.27	1.03	0.33	1.23	0.41	1.38	0.42	1.53	0.43	1.64	0.43	
7	22	1.44	0.26	1.80	0.34	2.08	0.42	2.29	0.44	2.50	0.46	2.65	0.46	
	25	1.36	0.28	1.72	0.37	2.00	0.46	2.21	0.47	2.42	0.49	2.58	0.49	
	32	1.25	0.32	1.61	0.41	1.89	0.50	2.10	0.52	2.31	0.54	2.47	0.54	
	35	1.20	0.34	1.57	0.43	1.84	0.52	2.05	0.54	2.26	0.56	2.42	0.56	
	40	1.13	0.37	1.49	0.45	1.76	0.56	1.97	0.57	2.18	0.59	2.34	0.59	
	43	1.08	0.38	1.44	0.47	1.72	0.58	1.93	0.59	2.14	0.61	2.30	0.61	
9	22	1.85	0.32	2.32	0.43	2.67	0.53	2.94	0.55	3.21	0.57	3.41	0.57	
	25	1.75	0.35	2.22	0.46	2.57	0.57	2.84	0.59	3.11	0.61	3.31	0.62	
	32	1.61	0.40	2.07	0.51	2.43	0.63	2.70	0.65	2.97	0.67	3.17	0.67	
	35	1.55	0.42	2.01	0.53	2.37	0.66	2.64	0.68	2.91	0.70	3.11	0.70	
	40	1.45	0.46	1.91	0.57	2.27	0.70	2.54	0.72	2.81	0.74	3.01	0.74	
	43	1.39	0.48	1.85	0.59	2.21	0.72	2.48	0.74	2.75	0.76	2.95	0.77	
12	22	2.47	0.44	3.09	0.58	3.56	0.72	3.92	0.75	4.28	0.78	4.55	0.79	
	25	2.33	0.48	2.95	0.63	3.43	0.78	3.79	0.81	4.14	0.84	4.42	0.84	
	32	2.14	0.55	2.77	0.70	3.24	0.86	3.60	0.89	3.96	0.92	4.23	0.92	
	35	2.06	0.58	2.69	0.73	3.16	0.90	3.52	0.93	3.88	0.95	4.15	0.96	
	40	1.93	0.63	2.55	0.78	3.02	0.96	3.38	0.98	3.74	1.01	4.02	1.02	
	43	1.85	0.66	2.47	0.81	2.94	0.99	3.30	1.02	3.66	1.05	3.93	1.05	
2 Units Operation	22	1.77	0.69	2.39	0.84	2.86	1.02	3.26	1.05	3.63	1.08	3.90	1.09	
	2 Units Operation													
	5+5	22	2.06	0.32	2.57	0.43	2.97	0.53	3.27	0.55	3.57	0.58	3.79	0.58
		25	1.94	0.36	2.46	0.47	2.86	0.58	3.15	0.60	3.45	0.62	3.68	0.62
		32	1.79	0.41	2.31	0.52	2.70	0.64	3.00	0.66	3.30	0.68	3.52	0.68
		35	1.72	0.43	2.24	0.54	2.63	0.66	2.93	0.68	3.23	0.70	3.46	0.71
40		1.61	0.46	2.13	0.57	2.52	0.70	2.82	0.72	3.12	0.75	3.35	0.75	
43		1.54	0.48	2.06	0.59	2.45	0.73	2.75	0.75	3.05	0.77	3.28	0.77	
5+7	22	2.47	0.40	3.09	0.52	3.56	0.65	3.92	0.68	4.28	0.70	4.55	0.71	
	25	2.33	0.43	2.95	0.57	3.43	0.70	3.79	0.73	4.14	0.75	4.42	0.76	
	32	2.14	0.50	2.77	0.63	3.24	0.78	3.60	0.80	3.96	0.83	4.23	0.83	
	35	2.06	0.52	2.69	0.66	3.16	0.81	3.52	0.83	3.88	0.86	4.15	0.86	
	40	1.93	0.57	2.55	0.70	3.02	0.86	3.38	0.89	3.74	0.91	4.02	0.92	
	43	1.85	0.59	2.47	0.73	2.94	0.89	3.30	0.92	3.66	0.94	3.93	0.95	
5+9	22	2.88	0.47	3.60	0.62	4.15	0.77	4.57	0.80	4.99	0.83	5.31	0.84	
	25	2.72	0.52	3.45	0.67	4.00	0.84	4.42	0.86	4.83	0.89	5.15	0.90	
	32	2.50	0.59	3.23	0.75	3.78	0.92	4.20	0.95	4.62	0.98	4.93	0.99	
	35	2.41	0.62	3.13	0.78	3.68	0.96	4.10	0.99	4.52	1.02	4.84	1.02	
	40	2.25	0.67	2.98	0.83	3.53	1.02	3.95	1.05	4.37	1.08	4.68	1.09	
	43	2.16	0.70	2.88	0.86	3.43	1.06	3.85	1.09	4.27	1.12	4.59	1.12	
7+7	22	2.06	0.73	2.79	0.89	3.34	1.09	3.81	1.12	4.23	1.15	4.55	1.16	
	25	2.88	0.47	3.60	0.62	4.15	0.77	4.57	0.80	4.99	0.83	5.31	0.84	
	25	2.72	0.52	3.45	0.67	4.00	0.84	4.42	0.86	4.83	0.89	5.15	0.90	
	32	2.50	0.59	3.23	0.75	3.78	0.92	4.20	0.95	4.62	0.98	4.93	0.99	
	35	2.41	0.62	3.13	0.78	3.68	0.96	4.10	0.99	4.52	1.02	4.84	1.02	
	40	2.25	0.67	2.98	0.83	3.53	1.02	3.95	1.05	4.37	1.08	4.68	1.09	
7+9	22	2.16	0.70	2.88	0.86	3.43	1.06	3.85	1.09	4.27	1.12	4.59	1.12	
	22	2.88	0.47	3.60	0.62	4.15	0.77	4.57	0.80	4.99	0.83	5.31	0.84	
	25	2.72	0.52	3.45	0.67	4.00	0.84	4.42	0.86	4.83	0.89	5.15	0.90	
	32	2.50	0.59	3.23	0.75	3.78	0.92	4.20	0.95	4.62	0.98	4.93	0.99	
	35	2.41	0.62	3.13	0.78	3.68	0.96	4.10	0.99	4.52	1.02	4.84	1.02	
	40	2.25	0.67	2.98	0.83	3.53	1.02	3.95	1.05	4.37	1.08	4.68	1.09	
7+9	43	2.16	0.70	2.88	0.86	3.43	1.06	3.85	1.09	4.27	1.12	4.59	1.12	
	46	2.06	0.73	2.79	0.89	3.34	1.09	3.81	1.12	4.23	1.15	4.55	1.16	

5. Capacity tables

Cooling Capacity [-14G-]

Combination capacity index (kBtu/h)	Outdoor Air Temp. (°CDB)	Indoor Air Temp. (°CWB)											
		14		16		18		19		22		24	
		TC	PI	TC	PI	TC	PI	TC	PI	TC	PI	TC	PI
5+12	22	2.88	0.47	3.60	0.62	4.15	0.77	4.57	0.80	4.99	0.83	5.31	0.84
	25	2.72	0.52	3.45	0.67	4.00	0.84	4.42	0.86	4.83	0.89	5.15	0.90
	32	2.50	0.59	3.23	0.75	3.78	0.92	4.20	0.95	4.62	0.98	4.93	0.99
	35	2.41	0.62	3.13	0.78	3.68	0.96	4.10	0.99	4.52	1.02	4.84	1.02
	40	2.25	0.67	2.98	0.83	3.53	1.02	3.95	1.05	4.37	1.08	4.68	1.09
	43	2.16	0.70	2.88	0.86	3.43	1.06	3.85	1.09	4.27	1.12	4.59	1.12
	46	2.06	0.73	2.79	0.89	3.34	1.09	3.81	1.12	4.23	1.15	4.55	1.16
9+9	22	2.88	0.47	3.60	0.62	4.15	0.77	4.57	0.80	4.99	0.83	5.31	0.84
	25	2.72	0.52	3.45	0.67	4.00	0.84	4.42	0.86	4.83	0.89	5.15	0.90
	32	2.50	0.59	3.23	0.75	3.78	0.92	4.20	0.95	4.62	0.98	4.93	0.99
	35	2.41	0.62	3.13	0.78	3.68	0.96	4.10	0.99	4.52	1.02	4.84	1.02
	40	2.25	0.67	2.98	0.83	3.53	1.02	3.95	1.05	4.37	1.08	4.68	1.09
	43	2.16	0.70	2.88	0.86	3.43	1.06	3.85	1.09	4.27	1.12	4.59	1.12
	46	2.06	0.73	2.79	0.89	3.34	1.09	3.81	1.12	4.23	1.15	4.55	1.16
7+12	22	2.88	0.47	3.60	0.62	4.15	0.77	4.57	0.80	4.99	0.83	5.31	0.84
	25	2.72	0.52	3.45	0.67	4.00	0.84	4.42	0.86	4.83	0.89	5.15	0.90
	32	2.50	0.59	3.23	0.75	3.78	0.92	4.20	0.95	4.62	0.98	4.93	0.99
	35	2.41	0.62	3.13	0.78	3.68	0.96	4.10	0.99	4.52	1.02	4.84	1.02
	40	2.25	0.67	2.98	0.83	3.53	1.02	3.95	1.05	4.37	1.08	4.68	1.09
	43	2.16	0.70	2.88	0.86	3.43	1.06	3.85	1.09	4.27	1.12	4.59	1.12
	46	2.06	0.73	2.79	0.89	3.34	1.09	3.81	1.12	4.23	1.15	4.55	1.16
9+12	22	2.88	0.47	3.60	0.62	4.15	0.77	4.57	0.80	4.99	0.83	5.31	0.84
	25	2.72	0.52	3.45	0.67	4.00	0.84	4.42	0.86	4.83	0.89	5.15	0.90
	32	2.50	0.59	3.23	0.75	3.78	0.92	4.20	0.95	4.62	0.98	4.93	0.99
	35	2.41	0.62	3.13	0.78	3.68	0.96	4.10	0.99	4.52	1.02	4.84	1.02
	40	2.25	0.67	2.98	0.83	3.53	1.02	3.95	1.05	4.37	1.08	4.68	1.09
	43	2.16	0.70	2.88	0.86	3.43	1.06	3.85	1.09	4.27	1.12	4.59	1.12
	46	2.06	0.73	2.79	0.89	3.34	1.09	3.81	1.12	4.23	1.15	4.55	1.16

Note

1. DB : Dry bulb temperature(°C), WB : Wet bulb temperature(°C)
2. TC : Total capacity(kW)
3. PI : Power Input (kW, Compressor + indoor fan motor + outdoor fan motor)
4. All capacities are net. A deduction (cooling mode) or an addition (heating mode) of Capacity due to operating heat of indoor unit motor is reflected.
5. Capacities are based on the following conditions ;
 - Interconnecting Piping Length (Both Main pipe and Branch pipe) is standard length.
 - Difference of Elevation (Outdoor ~ Indoor Unit) is 0 m.
6. Direct interpolation is permissible. Do not extrapolate.
7. Rated capacities and power inputs are based on standard temperature and piping conditions, and it can be found on specifications table. Except for rated value, the performance is not guaranteed.
8. In accordance with the test standard(or nations) and indoor unit's combinations, the rating will vary slightly.

5. Capacity tables

◆ Heating Capacity

Heating Capacity [-14G-]

Combination Capacity Index (kBtu/h)	Outdoor Air Temp. (°CWB)	Indoor Air Temp. (°CDB)												
		16.0		18.0		20.0		21.0		22.0		24.0		
		TC	PI	TC	PI	TC	PI	TC	PI	TC	PI	TC	PI	
1 Unit Operation														
5	-15.0	1.78	0.74	1.70	0.73	1.61	0.71	1.58	0.70	1.55	0.69	1.48	0.67	
	-10.0	1.78	0.67	1.70	0.65	1.61	0.63	1.58	0.62	1.55	0.61	1.48	0.59	
	-5.0	1.78	0.59	1.70	0.57	1.61	0.55	1.58	0.54	1.55	0.53	1.48	0.51	
	0.0	1.78	0.51	1.70	0.49	1.61	0.47	1.58	0.46	1.55	0.45	1.48	0.44	
	6.0	1.78	0.42	1.70	0.40	1.61	0.38	1.58	0.37	1.55	0.36	1.48	0.34	
	10.0	1.78	0.39	1.70	0.38	1.61	0.36	1.58	0.35	1.55	0.34	1.48	0.32	
7	-15.0	2.73	1.18	2.59	1.15	2.46	1.12	2.41	1.11	2.36	1.09	2.27	1.06	
	-10.0	2.73	1.06	2.59	1.03	2.46	1.00	2.41	0.99	2.36	0.97	2.27	0.94	
	-5.0	2.73	0.94	2.59	0.91	2.46	0.88	2.41	0.86	2.36	0.85	2.27	0.82	
	0.0	2.73	0.81	2.59	0.78	2.46	0.75	2.41	0.74	2.36	0.72	2.27	0.69	
	6.0	2.73	0.66	2.59	0.63	2.46	0.60	2.41	0.59	2.36	0.57	2.27	0.54	
	10.0	2.73	0.63	2.59	0.60	2.46	0.57	2.41	0.55	2.36	0.54	2.27	0.51	
9	-15.0	3.15	1.24	3.13	1.28	3.11	1.33	3.10	1.35	3.04	1.37	2.91	1.38	
	-10.0	3.50	1.33	3.33	1.34	3.17	1.30	3.10	1.28	3.04	1.26	2.91	1.22	
	-5.0	3.50	1.22	3.33	1.18	3.17	1.14	3.10	1.12	3.04	1.10	2.91	1.06	
	0.0	3.50	1.06	3.33	1.02	3.17	0.98	3.10	0.96	3.04	0.94	2.91	0.90	
	6.0	3.50	0.86	3.33	0.82	3.17	0.78	3.10	0.76	3.04	0.75	2.91	0.71	
	10.0	3.50	0.81	3.33	0.78	3.17	0.74	3.10	0.72	3.04	0.70	2.91	0.66	
12	-15.0	3.20	1.26	3.18	1.30	3.15	1.35	3.14	1.37	3.13	1.39	3.11	1.43	
	-10.0	3.68	1.35	3.66	1.39	3.64	1.43	3.63	1.46	3.62	1.48	3.56	1.51	
	-5.0	4.17	1.43	4.08	1.45	3.87	1.41	3.79	1.38	3.71	1.36	3.56	1.31	
	0.0	4.28	1.30	4.08	1.26	3.87	1.21	3.79	1.18	3.71	1.16	3.56	1.11	
	6.0	4.28	1.07	4.08	1.02	3.87	0.97	3.79	0.95	3.71	0.92	3.56	0.87	
	10.0	4.28	1.00	4.08	0.96	3.87	0.91	3.79	0.89	3.71	0.87	3.56	0.82	
15.0	15.0	4.28	0.93	4.08	0.88	3.87	0.84	3.79	0.82	3.71	0.80	3.56	0.76	
	2 Units Operation													
	5+5	-15.0	3.16	1.24	3.13	1.28	3.11	1.31	3.10	1.30	3.09	1.28	2.97	1.24
		-10.0	3.57	1.24	3.40	1.20	3.22	1.17	3.16	1.15	3.10	1.13	2.97	1.10
		-5.0	3.57	1.09	3.40	1.06	3.22	1.02	3.16	1.01	3.10	0.99	2.97	0.95
		0.0	3.57	0.95	3.40	0.91	3.22	0.88	3.16	0.86	3.10	0.84	2.97	0.81
6.0		3.57	0.78	3.40	0.74	3.22	0.71	3.16	0.69	3.10	0.67	2.97	0.64	
10.0		3.57	0.73	3.40	0.70	3.22	0.66	3.16	0.65	3.10	0.63	2.97	0.60	
5+7	-15.0	3.20	1.26	3.18	1.30	3.15	1.35	3.14	1.37	3.13	1.39	3.11	1.43	
	-10.0	3.68	1.35	3.66	1.39	3.64	1.43	3.63	1.42	3.62	1.40	3.56	1.36	
	-5.0	4.17	1.35	4.08	1.31	3.87	1.27	3.79	1.24	3.71	1.22	3.56	1.18	
	0.0	4.28	1.17	4.08	1.13	3.87	1.09	3.79	1.07	3.71	1.04	3.56	1.00	
	6.0	4.28	0.96	4.08	0.92	3.87	0.87	3.79	0.85	3.71	0.83	3.56	0.79	
	10.0	4.28	0.90	4.08	0.86	3.87	0.82	3.79	0.80	3.71	0.78	3.56	0.74	
5+9	-15.0	3.26	1.28	3.23	1.33	3.21	1.37	3.20	1.39	3.19	1.42	3.17	1.46	
	-10.0	3.75	1.37	3.73	1.42	3.70	1.46	3.69	1.48	3.68	1.51	3.66	1.55	
	-5.0	4.24	1.46	4.22	1.51	4.20	1.55	4.19	1.51	4.18	1.47	4.16	1.40	
	0.0	4.74	1.55	4.71	1.44	4.69	1.33	4.60	1.30	4.50	1.26	4.31	1.20	
	6.0	5.19	1.18	4.94	1.12	4.69	1.07	4.60	1.04	4.50	1.01	4.31	0.96	
	10.0	5.19	1.11	4.94	1.06	4.69	1.01	4.60	0.98	4.50	0.96	4.31	0.91	
7+7	-15.0	3.26	1.28	3.23	1.33	3.21	1.37	3.20	1.39	3.19	1.42	3.17	1.46	
	-10.0	3.75	1.37	3.73	1.42	3.70	1.46	3.69	1.48	3.68	1.51	3.66	1.55	
	-5.0	4.24	1.46	4.22	1.51	4.20	1.55	4.19	1.51	4.18	1.47	4.16	1.40	
	0.0	4.74	1.55	4.71	1.44	4.69	1.33	4.60	1.30	4.50	1.26	4.31	1.20	
	6.0	5.19	1.18	4.94	1.12	4.69	1.07	4.60	1.04	4.50	1.01	4.31	0.96	
	10.0	5.19	1.11	4.94	1.06	4.69	1.01	4.60	0.98	4.50	0.96	4.31	0.91	
7+9	-15.0	3.26	1.28	3.23	1.33	3.21	1.37	3.20	1.39	3.19	1.42	3.17	1.46	
	-10.0	3.75	1.37	3.73	1.42	3.70	1.46	3.69	1.48	3.68	1.51	3.66	1.55	
	-5.0	4.24	1.46	4.22	1.51	4.20	1.55	4.19	1.51	4.18	1.47	4.16	1.40	
	0.0	4.74	1.55	4.71	1.44	4.69	1.33	4.60	1.30	4.50	1.26	4.31	1.20	
	6.0	5.19	1.18	4.94	1.12	4.69	1.07	4.60	1.04	4.50	1.01	4.31	0.96	
	10.0	5.19	1.11	4.94	1.06	4.69	1.01	4.60	0.98	4.50	0.96	4.31	0.91	
5+12	-15.0	3.26	1.28	3.23	1.33	3.21	1.37	3.20	1.39	3.19	1.42	3.17	1.46	
	-10.0	3.75	1.37	3.73	1.42	3.70	1.46	3.69	1.48	3.68	1.51	3.66	1.55	
	-5.0	4.24	1.46	4.22	1.51	4.20	1.55	4.19	1.51	4.18	1.47	4.16	1.40	
	0.0	4.74	1.55	4.71	1.44	4.69	1.33	4.60	1.30	4.50	1.26	4.31	1.20	
	6.0	5.19	1.18	4.94	1.12	4.69	1.07	4.60	1.04	4.50	1.01	4.31	0.96	
	10.0	5.19	1.11	4.94	1.06	4.69	1.01	4.60	0.98	4.50	0.96	4.31	0.91	
15.0	5.19	1.02	4.94	0.97	4.69	0.93	4.60	0.90	4.50	0.88	4.31	0.84		

5. Capacity tables

Heating Capacity [-14G-]

Combination Capacity Index (kBtu/h)	Outdoor Air Temp. (°WB)	Indoor Air Temp. (°DB)											
		16.0		18.0		20.0		21.0		22.0		24.0	
		TC	PI	TC	PI	TC	PI	TC	PI	TC	PI	TC	PI
9+9	-15.0	3.26	1.28	3.23	1.33	3.21	1.37	3.20	1.39	3.19	1.42	3.17	1.46
	-10.0	3.75	1.37	3.73	1.42	3.70	1.46	3.69	1.48	3.68	1.51	3.66	1.55
	-5.0	4.24	1.46	4.22	1.51	4.20	1.55	4.19	1.51	4.18	1.47	4.16	1.40
	0.0	4.74	1.55	4.71	1.44	4.69	1.33	4.60	1.30	4.50	1.26	4.31	1.20
	6.0	5.19	1.18	4.94	1.12	4.69	1.07	4.60	1.04	4.50	1.01	4.31	0.96
	10.0	5.19	1.11	4.94	1.06	4.69	1.01	4.60	0.98	4.50	0.96	4.31	0.91
7+12	15.0	5.19	1.02	4.94	0.97	4.69	0.93	4.60	0.90	4.50	0.88	4.31	0.84
	-15.0	3.26	1.28	3.23	1.33	3.21	1.37	3.20	1.39	3.19	1.42	3.17	1.46
	-10.0	3.75	1.37	3.73	1.42	3.70	1.46	3.69	1.48	3.68	1.51	3.66	1.55
	-5.0	4.24	1.46	4.22	1.51	4.20	1.55	4.19	1.51	4.18	1.47	4.16	1.40
	0.0	4.74	1.55	4.71	1.44	4.69	1.33	4.60	1.30	4.50	1.26	4.31	1.20
	6.0	5.19	1.18	4.94	1.12	4.69	1.07	4.60	1.04	4.50	1.01	4.31	0.96
9+12	10.0	5.19	1.11	4.94	1.06	4.69	1.01	4.60	0.98	4.50	0.96	4.31	0.91
	15.0	5.19	1.02	4.94	0.97	4.69	0.93	4.60	0.90	4.50	0.88	4.31	0.84
	-15.0	3.26	1.28	3.23	1.33	3.21	1.37	3.20	1.39	3.19	1.42	3.17	1.46
	-10.0	3.75	1.37	3.73	1.42	3.70	1.46	3.69	1.48	3.68	1.51	3.66	1.55
	-5.0	4.24	1.46	4.22	1.51	4.20	1.55	4.19	1.51	4.18	1.47	4.16	1.40
	0.0	4.74	1.55	4.71	1.44	4.69	1.33	4.60	1.30	4.50	1.26	4.31	1.20
9+12	6.0	5.19	1.18	4.94	1.12	4.69	1.07	4.60	1.04	4.50	1.01	4.31	0.96
	10.0	5.19	1.11	4.94	1.06	4.69	1.01	4.60	0.98	4.50	0.96	4.31	0.91
	15.0	5.19	1.02	4.94	0.97	4.69	0.93	4.60	0.90	4.50	0.88	4.31	0.84
	15.0	5.19	1.02	4.94	0.97	4.69	0.93	4.60	0.90	4.50	0.88	4.31	0.84

Note

1. DB : Dry bulb temperature(°C), WB : Wet bulb temperature(°C)
2. TC : Total capacity(kW)
3. PI : Power Input (kW, Compressor + indoor fan motor + outdoor fan motor)
4. All capacities are net. A deduction (cooling mode) or an addition (heating mode) of Capacity due to operating heat of indoor unit motor is reflected.
5. Capacities are based on the following conditions ;
 - Interconnecting Piping Length (Both Main pipe and Branch pipe) is standard length.
 - Difference of Elevation (Outdoor ~ Indoor Unit) is 0 m.
6. Direct interpolation is permissible. Do not extrapolate.
7. Rated capacities and power inputs are based on standard temperature and piping conditions, and it can be found on specifications table. Except for rated value, the performance is not guaranteed.
8. In accordance with the test standard(or nations) and indoor unit's combinations, the rating will vary slightly.

5. Capacity tables

5.2 Z2UW16GFA0 [MU2R17 UL0]

◆ Cooling Capacity

Cooling Capacity [-16G-]

Combination capacity index (kBtu/h)	Outdoor Air Temp. (°CDB)	Indoor Air Temp. (°CWB)												
		14		16		18		19		22		24		
		TC	PI	TC	PI	TC	PI	TC	PI	TC	PI	TC	PI	
1 Unit Operation														
5	22	1.03	0.18	1.29	0.24	1.48	0.30	1.63	0.31	1.78	0.32	1.90	0.32	
	25	0.97	0.20	1.23	0.26	1.43	0.32	1.58	0.33	1.73	0.35	1.84	0.35	
	32	0.89	0.23	1.15	0.29	1.35	0.36	1.50	0.37	1.65	0.38	1.76	0.38	
	35	0.86	0.24	1.12	0.30	1.32	0.37	1.47	0.38	1.62	0.39	1.73	0.40	
	40	0.80	0.26	1.06	0.32	1.26	0.39	1.41	0.41	1.56	0.42	1.67	0.42	
	43	0.77	0.27	1.03	0.33	1.23	0.41	1.38	0.42	1.53	0.43	1.64	0.43	
7	22	1.44	0.26	1.80	0.34	2.08	0.42	2.29	0.44	2.50	0.46	2.65	0.46	
	25	1.36	0.28	1.72	0.37	2.00	0.46	2.21	0.47	2.42	0.49	2.58	0.49	
	32	1.25	0.32	1.61	0.41	1.89	0.50	2.10	0.52	2.31	0.54	2.47	0.54	
	35	1.20	0.34	1.57	0.43	1.84	0.52	2.05	0.54	2.26	0.56	2.42	0.56	
	40	1.13	0.37	1.49	0.45	1.76	0.56	1.97	0.57	2.18	0.59	2.34	0.59	
	43	1.08	0.38	1.44	0.47	1.72	0.58	1.93	0.59	2.14	0.61	2.30	0.61	
9	22	1.85	0.32	2.32	0.43	2.67	0.53	2.94	0.55	3.21	0.57	3.41	0.57	
	25	1.75	0.35	2.22	0.46	2.57	0.57	2.84	0.59	3.11	0.61	3.31	0.62	
	32	1.61	0.40	2.07	0.51	2.43	0.63	2.70	0.65	2.97	0.67	3.17	0.67	
	35	1.55	0.42	2.01	0.53	2.37	0.66	2.64	0.68	2.91	0.70	3.11	0.70	
	40	1.45	0.46	1.91	0.57	2.27	0.70	2.54	0.72	2.81	0.74	3.01	0.74	
	43	1.39	0.48	1.85	0.59	2.21	0.72	2.48	0.74	2.75	0.76	2.95	0.77	
12	22	2.47	0.44	3.09	0.58	3.56	0.72	3.92	0.75	4.28	0.78	4.55	0.79	
	25	2.33	0.48	2.95	0.63	3.43	0.78	3.79	0.81	4.14	0.84	4.42	0.84	
	32	2.14	0.55	2.77	0.70	3.24	0.86	3.60	0.89	3.96	0.92	4.23	0.92	
	35	2.06	0.58	2.69	0.73	3.16	0.90	3.52	0.93	3.88	0.95	4.15	0.96	
	40	1.93	0.63	2.55	0.78	3.02	0.96	3.38	0.98	3.74	1.01	4.02	1.02	
	43	1.85	0.66	2.47	0.81	2.94	0.99	3.30	1.02	3.66	1.05	3.93	1.05	
15	22	2.92	0.57	3.65	0.75	4.21	0.94	4.64	0.97	5.06	1.01	5.39	1.02	
	25	2.76	0.62	3.50	0.82	4.05	1.01	4.48	1.05	4.90	1.08	5.23	1.09	
	32	2.54	0.71	3.27	0.90	3.83	1.12	4.26	1.15	4.68	1.19	5.01	1.19	
	35	2.44	0.75	3.18	0.94	3.74	1.16	4.16	1.20	4.59	1.23	4.91	1.24	
	40	2.28	0.81	3.02	1.00	3.58	1.23	4.00	1.27	4.43	1.31	4.75	1.31	
	43	2.19	0.85	2.92	1.04	3.48	1.28	3.91	1.32	4.33	1.35	4.66	1.36	
2 Units Operation	22	2.09	0.89	2.83	1.08	3.39	1.32	3.86	1.36	4.29	1.40	4.62	1.40	
	5+5	22	2.06	0.32	2.57	0.43	2.97	0.53	3.27	0.55	3.57	0.58	3.79	0.58
		25	1.94	0.36	2.46	0.47	2.86	0.58	3.15	0.60	3.45	0.62	3.68	0.62
		32	1.79	0.41	2.31	0.52	2.70	0.64	3.00	0.66	3.30	0.68	3.52	0.68
		35	1.72	0.43	2.24	0.54	2.63	0.66	2.93	0.68	3.23	0.70	3.46	0.71
		40	1.61	0.46	2.13	0.57	2.52	0.70	2.82	0.72	3.12	0.75	3.35	0.75
43		1.54	0.48	2.06	0.59	2.45	0.73	2.75	0.75	3.05	0.77	3.28	0.77	
5+7	22	2.47	0.40	3.09	0.52	3.56	0.65	3.92	0.68	4.28	0.70	4.55	0.71	
	25	2.33	0.43	2.95	0.57	3.43	0.70	3.79	0.73	4.14	0.75	4.42	0.76	
	32	2.14	0.50	2.77	0.63	3.24	0.78	3.60	0.80	3.96	0.83	4.23	0.83	
	35	2.06	0.52	2.69	0.66	3.16	0.81	3.52	0.83	3.88	0.86	4.15	0.86	
	40	1.93	0.57	2.55	0.70	3.02	0.86	3.38	0.89	3.74	0.91	4.02	0.92	
	43	1.85	0.59	2.47	0.73	2.94	0.89	3.30	0.92	3.66	0.94	3.93	0.95	
5+9	22	2.88	0.47	3.60	0.62	4.15	0.77	4.57	0.80	4.99	0.83	5.31	0.84	
	25	2.72	0.52	3.45	0.67	4.00	0.84	4.42	0.86	4.83	0.89	5.15	0.90	
	32	2.50	0.59	3.23	0.75	3.78	0.92	4.20	0.95	4.62	0.98	4.93	0.99	
	35	2.41	0.62	3.13	0.78	3.68	0.96	4.10	0.99	4.52	1.02	4.84	1.02	
	40	2.25	0.67	2.98	0.83	3.53	1.02	3.95	1.05	4.37	1.08	4.68	1.09	
	43	2.16	0.70	2.88	0.86	3.43	1.06	3.85	1.09	4.27	1.12	4.59	1.12	
7+7	22	2.06	0.73	2.79	0.89	3.34	1.09	3.81	1.12	4.23	1.15	4.55	1.16	
	25	2.06	0.73	2.79	0.89	3.34	1.09	3.81	1.12	4.23	1.15	4.55	1.16	
	32	2.50	0.59	3.23	0.75	3.78	0.92	4.20	0.95	4.62	0.98	4.93	0.99	
	35	2.41	0.62	3.13	0.78	3.68	0.96	4.10	0.99	4.52	1.02	4.84	1.02	
	40	2.25	0.67	2.98	0.83	3.53	1.02	3.95	1.05	4.37	1.08	4.68	1.09	
	43	2.16	0.70	2.88	0.86	3.43	1.06	3.85	1.09	4.27	1.12	4.59	1.12	

5. Capacity tables

Cooling Capacity [-16G-]

Combination capacity index (kBTU/h)	Outdoor Air Temp. (°CDB)	Indoor Air Temp. (°CWB)											
		14		16		18		19		22		24	
		TC	PI	TC	PI	TC	PI	TC	PI	TC	PI	TC	PI
7+9	22	3.29	0.60	4.12	0.79	4.75	0.98	5.23	1.02	5.70	1.06	6.07	1.06
	25	3.11	0.65	3.94	0.85	4.57	1.06	5.05	1.10	5.53	1.13	5.89	1.14
	32	2.86	0.75	3.69	0.95	4.32	1.17	4.80	1.21	5.28	1.24	5.64	1.25
	35	2.75	0.79	3.58	0.99	4.21	1.22	4.69	1.25	5.17	1.29	5.53	1.30
	40	2.57	0.85	3.40	1.05	4.03	1.29	4.51	1.33	4.99	1.37	5.35	1.38
	43	2.47	0.89	3.29	1.09	3.92	1.34	4.40	1.38	4.88	1.42	5.25	1.42
5+12	22	3.29	0.60	4.12	0.79	4.75	0.98	5.23	1.02	5.70	1.06	6.07	1.06
	25	3.11	0.65	3.94	0.85	4.57	1.06	5.05	1.10	5.53	1.13	5.89	1.14
	32	2.86	0.75	3.69	0.95	4.32	1.17	4.80	1.21	5.28	1.24	5.64	1.25
	35	2.75	0.79	3.58	0.99	4.21	1.22	4.69	1.25	5.17	1.29	5.53	1.30
	40	2.57	0.85	3.40	1.05	4.03	1.29	4.51	1.33	4.99	1.37	5.35	1.38
	43	2.47	0.89	3.29	1.09	3.92	1.34	4.40	1.38	4.88	1.42	5.25	1.42
9+9	22	3.29	0.60	4.12	0.79	4.75	0.98	5.23	1.02	5.70	1.06	6.07	1.06
	25	3.11	0.65	3.94	0.85	4.57	1.06	5.05	1.10	5.53	1.13	5.89	1.14
	32	2.86	0.75	3.69	0.95	4.32	1.17	4.80	1.21	5.28	1.24	5.64	1.25
	35	2.75	0.79	3.58	0.99	4.21	1.22	4.69	1.25	5.17	1.29	5.53	1.30
	40	2.57	0.85	3.40	1.05	4.03	1.29	4.51	1.33	4.99	1.37	5.35	1.38
	43	2.47	0.89	3.29	1.09	3.92	1.34	4.40	1.38	4.88	1.42	5.25	1.42
7+12	22	3.29	0.60	4.12	0.79	4.75	0.98	5.23	1.02	5.70	1.06	6.07	1.06
	25	3.11	0.65	3.94	0.85	4.57	1.06	5.05	1.10	5.53	1.13	5.89	1.14
	32	2.86	0.75	3.69	0.95	4.32	1.17	4.80	1.21	5.28	1.24	5.64	1.25
	35	2.75	0.79	3.58	0.99	4.21	1.22	4.69	1.25	5.17	1.29	5.53	1.30
	40	2.57	0.85	3.40	1.05	4.03	1.29	4.51	1.33	4.99	1.37	5.35	1.38
	43	2.47	0.89	3.29	1.09	3.92	1.34	4.40	1.38	4.88	1.42	5.25	1.42
5+15	22	3.29	0.60	4.12	0.79	4.75	0.98	5.23	1.02	5.70	1.06	6.07	1.06
	25	3.11	0.65	3.94	0.85	4.57	1.06	5.05	1.10	5.53	1.13	5.89	1.14
	32	2.86	0.75	3.69	0.95	4.32	1.17	4.80	1.21	5.28	1.24	5.64	1.25
	35	2.75	0.79	3.58	0.99	4.21	1.22	4.69	1.25	5.17	1.29	5.53	1.30
	40	2.57	0.85	3.40	1.05	4.03	1.29	4.51	1.33	4.99	1.37	5.35	1.38
	43	2.47	0.89	3.29	1.09	3.92	1.34	4.40	1.38	4.88	1.42	5.25	1.42
9+12	22	3.29	0.60	4.12	0.79	4.75	0.98	5.23	1.02	5.70	1.06	6.07	1.06
	25	3.11	0.65	3.94	0.85	4.57	1.06	5.05	1.10	5.53	1.13	5.89	1.14
	32	2.86	0.75	3.69	0.95	4.32	1.17	4.80	1.21	5.28	1.24	5.64	1.25
	35	2.75	0.79	3.58	0.99	4.21	1.22	4.69	1.25	5.17	1.29	5.53	1.30
	40	2.57	0.85	3.40	1.05	4.03	1.29	4.51	1.33	4.99	1.37	5.35	1.38
	43	2.47	0.89	3.29	1.09	3.92	1.34	4.40	1.38	4.88	1.42	5.25	1.42
7+15	22	3.29	0.60	4.12	0.79	4.75	0.98	5.23	1.02	5.70	1.06	6.07	1.06
	25	3.11	0.65	3.94	0.85	4.57	1.06	5.05	1.10	5.53	1.13	5.89	1.14
	32	2.86	0.75	3.69	0.95	4.32	1.17	4.80	1.21	5.28	1.24	5.64	1.25
	35	2.75	0.79	3.58	0.99	4.21	1.22	4.69	1.25	5.17	1.29	5.53	1.30
	40	2.57	0.85	3.40	1.05	4.03	1.29	4.51	1.33	4.99	1.37	5.35	1.38
	43	2.47	0.89	3.29	1.09	3.92	1.34	4.40	1.38	4.88	1.42	5.25	1.42
9+15	22	3.29	0.60	4.12	0.79	4.75	0.98	5.23	1.02	5.70	1.06	6.07	1.06
	25	3.11	0.65	3.94	0.85	4.57	1.06	5.05	1.10	5.53	1.13	5.89	1.14
	32	2.86	0.75	3.69	0.95	4.32	1.17	4.80	1.21	5.28	1.24	5.64	1.25
	35	2.75	0.79	3.58	0.99	4.21	1.22	4.69	1.25	5.17	1.29	5.53	1.30
	40	2.57	0.85	3.40	1.05	4.03	1.29	4.51	1.33	4.99	1.37	5.35	1.38
	43	2.47	0.89	3.29	1.09	3.92	1.34	4.40	1.38	4.88	1.42	5.25	1.42
12+12	22	3.29	0.60	4.12	0.79	4.75	0.98	5.23	1.02	5.70	1.06	6.07	1.06
	25	3.11	0.65	3.94	0.85	4.57	1.06	5.05	1.10	5.53	1.13	5.89	1.14
	32	2.86	0.75	3.69	0.95	4.32	1.17	4.80	1.21	5.28	1.24	5.64	1.25
	35	2.75	0.79	3.58	0.99	4.21	1.22	4.69	1.25	5.17	1.29	5.53	1.30
	40	2.57	0.85	3.40	1.05	4.03	1.29	4.51	1.33	4.99	1.37	5.35	1.38
	43	2.47	0.89	3.29	1.09	3.92	1.34	4.40	1.38	4.88	1.42	5.25	1.42

Note

1. DB : Dry bulb temperature(°C), WB : Wet bulb temperature(°C)
2. TC : Total capacity(kW)
3. PI : Power Input (kW, Compressor + indoor fan motor + outdoor fan motor)
4. All capacities are net. A deduction (cooling mode) or an addition (heating mode) of Capacity due to operating heat of indoor unit motor is reflected.
5. Capacities are based on the following conditions ;
 - Interconnecting Piping Length (Both Main pipe and Branch pipe) is standard length.
 - Difference of Elevation (Outdoor ~ Indoor Unit) is 0 m.
6. Direct interpolation is permissible. Do not extrapolate.
7. Rated capacities and power inputs are based on standard temperature and piping conditions, and it can be found on specifications table. Except for rated value, the performance is not guaranteed.
8. In accordance with the test standard(or nations) and indoor unit's combinations, the rating will vary slightly.

5. Capacity tables

◆ Heating Capacity

Heating Capacity [-16G-]

Combination Capacity Index (kBtu/h)	Outdoor Air Temp. (°CWB)	Indoor Air Temp. (°CDB)												
		16.0		18.0		20.0		21.0		22.0		24.0		
		TC	PI	TC	PI	TC	PI	TC	PI	TC	PI	TC	PI	
1 Unit Operation														
5	-15.0	1.78	0.99	1.70	0.97	1.61	0.95	1.58	0.94	1.55	0.93	1.48	0.91	
	-10.0	1.78	0.85	1.70	0.83	1.61	0.81	1.58	0.80	1.55	0.79	1.48	0.78	
	-5.0	1.78	0.72	1.70	0.70	1.61	0.68	1.58	0.67	1.55	0.66	1.48	0.64	
	0.0	1.78	0.58	1.70	0.56	1.61	0.54	1.58	0.53	1.55	0.52	1.48	0.50	
	6.0	1.78	0.42	1.70	0.40	1.61	0.38	1.58	0.37	1.55	0.36	1.48	0.34	
	10.0	1.78	0.39	1.70	0.38	1.61	0.36	1.58	0.35	1.55	0.34	1.48	0.32	
7	-15.0	2.73	1.29	2.59	1.33	2.46	1.37	2.41	1.39	2.36	1.41	2.27	1.45	
	-10.0	2.73	1.35	2.59	1.32	2.46	1.29	2.41	1.28	2.36	1.26	2.27	1.23	
	-5.0	2.73	1.14	2.59	1.11	2.46	1.08	2.41	1.06	2.36	1.05	2.27	1.02	
	0.0	2.73	0.92	2.59	0.89	2.46	0.86	2.41	0.85	2.36	0.83	2.27	0.80	
	6.0	2.73	0.66	2.59	0.63	2.46	0.60	2.41	0.59	2.36	0.57	2.27	0.54	
	10.0	2.73	0.63	2.59	0.60	2.46	0.57	2.41	0.55	2.36	0.54	2.27	0.51	
9	-15.0	3.29	1.31	3.27	1.35	3.17	1.39	3.10	1.41	3.04	1.43	2.91	1.47	
	-10.0	3.50	1.39	3.33	1.43	3.17	1.47	3.10	1.49	3.04	1.51	2.91	1.55	
	-5.0	3.50	1.43	3.33	1.39	3.17	1.35	3.10	1.33	3.04	1.32	2.91	1.28	
	0.0	3.50	1.16	3.33	1.12	3.17	1.08	3.10	1.06	3.04	1.05	2.91	1.01	
	6.0	3.50	0.83	3.33	0.80	3.17	0.76	3.10	0.74	3.04	0.72	2.91	0.68	
	10.0	3.50	0.79	3.33	0.75	3.17	0.71	3.10	0.70	3.04	0.68	2.91	0.64	
12	-15.0	3.50	0.72	3.33	0.69	3.17	0.66	3.10	0.64	3.04	0.63	2.91	0.59	
	-15.0	3.33	1.32	3.31	1.37	3.29	1.41	3.28	1.43	3.27	1.45	3.24	1.49	
	-10.0	3.95	1.41	3.93	1.45	3.87	1.49	3.79	1.51	3.71	1.53	3.56	1.57	
	-5.0	4.28	1.49	4.08	1.53	3.87	1.57	3.79	1.59	3.71	1.61	3.56	1.59	
	0.0	4.28	1.44	4.08	1.39	3.87	1.35	3.79	1.32	3.71	1.30	3.56	1.25	
	6.0	4.28	1.04	4.08	0.99	3.87	0.94	3.79	0.92	3.71	0.90	3.56	0.85	
15	10.0	4.28	0.98	4.08	0.93	3.87	0.89	3.79	0.87	3.71	0.84	3.56	0.80	
	15.0	4.28	0.90	4.08	0.86	3.87	0.82	3.79	0.80	3.71	0.78	3.56	0.74	
	-15.0	3.40	1.35	3.37	1.39	3.35	1.43	3.34	1.45	3.33	1.47	3.31	1.52	
	-10.0	4.02	1.43	4.00	1.47	3.98	1.52	3.97	1.54	3.96	1.56	3.93	1.60	
	-5.0	4.65	1.52	4.63	1.56	4.60	1.60	4.59	1.62	4.58	1.64	4.45	1.68	
	0.0	5.28	1.60	5.09	1.64	4.84	1.68	4.74	1.64	4.64	1.60	4.45	1.51	
2 Units Operation	6.0	5.35	1.30	5.09	1.24	4.84	1.18	4.74	1.15	4.64	1.12	4.45	1.06	
	10.0	5.35	1.22	5.09	1.16	4.84	1.11	4.74	1.08	4.64	1.05	4.45	1.00	
	15.0	5.35	1.13	5.09	1.07	4.84	1.02	4.74	1.00	4.64	0.97	4.45	0.92	
	5+5	-15.0	3.29	1.31	3.27	1.35	3.22	1.39	3.16	1.41	3.10	1.43	2.97	1.47
		-10.0	3.57	1.39	3.40	1.43	3.22	1.47	3.16	1.49	3.10	1.48	2.97	1.44
		-5.0	3.57	1.33	3.40	1.30	3.22	1.26	3.16	1.24	3.10	1.22	2.97	1.19
		0.0	3.57	1.08	3.40	1.04	3.22	1.01	3.16	0.99	3.10	0.97	2.97	0.94
		6.0	3.57	0.78	3.40	0.74	3.22	0.71	3.16	0.69	3.10	0.67	2.97	0.64
		10.0	3.57	0.73	3.40	0.70	3.22	0.66	3.16	0.65	3.10	0.63	2.97	0.60
	5+7	15.0	3.57	0.67	3.40	0.64	3.22	0.61	3.16	0.60	3.10	0.58	2.97	0.55
		-15.0	3.33	1.32	3.31	1.37	3.29	1.41	3.28	1.43	3.27	1.45	3.24	1.49
		-10.0	3.95	1.41	3.93	1.45	3.87	1.49	3.79	1.51	3.71	1.53	3.56	1.57
		-5.0	4.28	1.49	4.08	1.53	3.87	1.56	3.79	1.54	3.71	1.51	3.56	1.47
		0.0	4.28	1.33	4.08	1.29	3.87	1.25	3.79	1.22	3.71	1.20	3.56	1.16
6.0		4.28	0.96	4.08	0.92	3.87	0.87	3.79	0.85	3.71	0.83	3.56	0.79	
5+9	10.0	4.28	0.90	4.08	0.86	3.87	0.82	3.79	0.80	3.71	0.78	3.56	0.74	
	15.0	4.28	0.83	4.08	0.80	3.87	0.76	3.79	0.74	3.71	0.72	3.56	0.68	
	-15.0	3.39	1.35	3.36	1.39	3.34	1.43	3.33	1.45	3.32	1.47	3.30	1.51	
	-10.0	4.01	1.43	3.99	1.47	3.97	1.51	3.95	1.53	3.94	1.55	3.92	1.59	
	-5.0	4.64	1.51	4.62	1.55	4.59	1.59	4.58	1.61	4.50	1.64	4.31	1.68	
	0.0	5.19	1.59	4.94	1.58	4.69	1.53	4.60	1.50	4.50	1.47	4.31	1.42	
7+7	6.0	5.19	1.18	4.94	1.12	4.69	1.07	4.60	1.04	4.50	1.01	4.31	0.96	
	10.0	5.19	1.11	4.94	1.06	4.69	1.01	4.60	0.98	4.50	0.96	4.31	0.91	
	15.0	5.19	1.02	4.94	0.97	4.69	0.93	4.60	0.90	4.50	0.88	4.31	0.84	
	-15.0	3.39	1.35	3.36	1.39	3.34	1.43	3.33	1.45	3.32	1.47	3.30	1.51	
	-10.0	4.01	1.43	3.99	1.47	3.97	1.51	3.95	1.53	3.94	1.55	3.92	1.59	
	-5.0	4.64	1.51	4.62	1.55	4.59	1.59	4.58	1.61	4.50	1.64	4.31	1.68	
7+9	0.0	5.19	1.59	4.94	1.58	4.69	1.53	4.60	1.50	4.50	1.47	4.31	1.42	
	6.0	5.19	1.18	4.94	1.12	4.69	1.07	4.60	1.04	4.50	1.01	4.31	0.96	
	10.0	5.19	1.11	4.94	1.06	4.69	1.01	4.60	0.98	4.50	0.96	4.31	0.91	
	15.0	5.19	1.02	4.94	0.97	4.69	0.93	4.60	0.90	4.50	0.88	4.31	0.84	
	-15.0	3.43	1.36	3.40	1.40	3.38	1.44	3.37	1.47	3.36	1.49	3.33	1.53	
	-10.0	4.06	1.44	4.03	1.49	4.01	1.53	4.00	1.55	3.99	1.57	3.97	1.61	
7+9	-5.0	4.69	1.53	4.67	1.57	4.64	1.61	4.63	1.63	4.62	1.65	4.60	1.70	
	0.0	5.32	1.61	5.30	1.65	5.28	1.70	5.17	1.65	5.06	1.61	4.85	1.53	
	6.0	5.84	1.31	5.56	1.25	5.28	1.19	5.17	1.16	5.06	1.13	4.85	1.07	
	10.0	5.84	1.23	5.56	1.17	5.28	1.12	5.17	1.09	5.06	1.06	4.85	1.01	
	15.0	5.84	1.14	5.56	1.08	5.28	1.03	5.17	1.01	5.06	0.98	4.85	0.93	

5. Capacity tables

Heating Capacity [-16G-]

Combination Capacity Index (kBtu/h)	Outdoor Air Temp. (°WB)	Indoor Air Temp. (°DB)											
		16.0		18.0		20.0		21.0		22.0		24.0	
		TC	PI	TC	PI	TC	PI	TC	PI	TC	PI	TC	PI
5+12	-15.0	3.43	1.36	3.40	1.40	3.38	1.44	3.37	1.47	3.36	1.49	3.33	1.53
	-10.0	4.06	1.44	4.03	1.49	4.01	1.53	4.00	1.55	3.99	1.57	3.97	1.61
	-5.0	4.69	1.53	4.67	1.57	4.64	1.61	4.63	1.63	4.62	1.65	4.60	1.70
	0.0	5.32	1.61	5.30	1.65	5.28	1.70	5.17	1.65	5.06	1.61	4.85	1.53
	6.0	5.84	1.31	5.56	1.25	5.28	1.19	5.17	1.16	5.06	1.13	4.85	1.07
	10.0	5.84	1.23	5.56	1.17	5.28	1.12	5.17	1.09	5.06	1.06	4.85	1.01
9+9	15.0	5.84	1.14	5.56	1.08	5.28	1.03	5.17	1.01	5.06	0.98	4.85	0.93
	-15.0	3.43	1.36	3.40	1.40	3.38	1.44	3.37	1.47	3.36	1.49	3.33	1.53
	-10.0	4.06	1.44	4.03	1.49	4.01	1.53	4.00	1.55	3.99	1.57	3.97	1.61
	-5.0	4.69	1.53	4.67	1.57	4.64	1.61	4.63	1.63	4.62	1.65	4.60	1.70
	0.0	5.32	1.61	5.30	1.65	5.28	1.70	5.17	1.65	5.06	1.61	4.85	1.53
	6.0	5.84	1.31	5.56	1.25	5.28	1.19	5.17	1.16	5.06	1.13	4.85	1.07
7+12	10.0	5.84	1.23	5.56	1.17	5.28	1.12	5.17	1.09	5.06	1.06	4.85	1.01
	15.0	5.84	1.14	5.56	1.08	5.28	1.03	5.17	1.01	5.06	0.98	4.85	0.93
	-15.0	3.43	1.36	3.40	1.40	3.38	1.44	3.37	1.47	3.36	1.49	3.33	1.53
	-10.0	4.06	1.44	4.03	1.49	4.01	1.53	4.00	1.55	3.99	1.57	3.97	1.61
	-5.0	4.69	1.53	4.67	1.57	4.64	1.61	4.63	1.63	4.62	1.65	4.60	1.70
	0.0	5.32	1.61	5.30	1.65	5.28	1.70	5.17	1.65	5.06	1.61	4.85	1.53
5+15	6.0	5.84	1.31	5.56	1.25	5.28	1.19	5.17	1.16	5.06	1.13	4.85	1.07
	10.0	5.84	1.23	5.56	1.17	5.28	1.12	5.17	1.09	5.06	1.06	4.85	1.01
	15.0	5.84	1.14	5.56	1.08	5.28	1.03	5.17	1.01	5.06	0.98	4.85	0.93
	-15.0	3.43	1.36	3.40	1.40	3.38	1.44	3.37	1.47	3.36	1.49	3.33	1.53
	-10.0	4.06	1.44	4.03	1.49	4.01	1.53	4.00	1.55	3.99	1.57	3.97	1.61
	-5.0	4.69	1.53	4.67	1.57	4.64	1.61	4.63	1.63	4.62	1.65	4.60	1.70
9+12	0.0	5.32	1.61	5.30	1.65	5.28	1.70	5.17	1.65	5.06	1.61	4.85	1.53
	6.0	5.84	1.31	5.56	1.25	5.28	1.19	5.17	1.16	5.06	1.13	4.85	1.07
	10.0	5.84	1.23	5.56	1.17	5.28	1.12	5.17	1.09	5.06	1.06	4.85	1.01
	15.0	5.84	1.14	5.56	1.08	5.28	1.03	5.17	1.01	5.06	0.98	4.85	0.93
	-15.0	3.43	1.36	3.40	1.40	3.38	1.44	3.37	1.47	3.36	1.49	3.33	1.53
	-10.0	4.06	1.44	4.03	1.49	4.01	1.53	4.00	1.55	3.99	1.57	3.97	1.61
7+15	-5.0	4.69	1.53	4.67	1.57	4.64	1.61	4.63	1.63	4.62	1.65	4.60	1.70
	0.0	5.32	1.61	5.30	1.65	5.28	1.70	5.17	1.65	5.06	1.61	4.85	1.53
	6.0	5.84	1.31	5.56	1.25	5.28	1.19	5.17	1.16	5.06	1.13	4.85	1.07
	10.0	5.84	1.23	5.56	1.17	5.28	1.12	5.17	1.09	5.06	1.06	4.85	1.01
	15.0	5.84	1.14	5.56	1.08	5.28	1.03	5.17	1.01	5.06	0.98	4.85	0.93
	-15.0	3.43	1.36	3.40	1.40	3.38	1.44	3.37	1.47	3.36	1.49	3.33	1.53
9+15	-10.0	4.06	1.44	4.03	1.49	4.01	1.53	4.00	1.55	3.99	1.57	3.97	1.61
	-5.0	4.69	1.53	4.67	1.57	4.64	1.61	4.63	1.63	4.62	1.65	4.60	1.70
	0.0	5.32	1.61	5.30	1.65	5.28	1.70	5.17	1.65	5.06	1.61	4.85	1.53
	6.0	5.84	1.31	5.56	1.25	5.28	1.19	5.17	1.16	5.06	1.13	4.85	1.07
	10.0	5.84	1.23	5.56	1.17	5.28	1.12	5.17	1.09	5.06	1.06	4.85	1.01
	15.0	5.84	1.14	5.56	1.08	5.28	1.03	5.17	1.01	5.06	0.98	4.85	0.93
12+12	-15.0	3.43	1.36	3.40	1.40	3.38	1.44	3.37	1.47	3.36	1.49	3.33	1.53
	-10.0	4.06	1.44	4.03	1.49	4.01	1.53	4.00	1.55	3.99	1.57	3.97	1.61
	-5.0	4.69	1.53	4.67	1.57	4.64	1.61	4.63	1.63	4.62	1.65	4.60	1.70
	0.0	5.32	1.61	5.30	1.65	5.28	1.70	5.17	1.65	5.06	1.61	4.85	1.53
	6.0	5.84	1.31	5.56	1.25	5.28	1.19	5.17	1.16	5.06	1.13	4.85	1.07
	10.0	5.84	1.23	5.56	1.17	5.28	1.12	5.17	1.09	5.06	1.06	4.85	1.01
	15.0	5.84	1.14	5.56	1.08	5.28	1.03	5.17	1.01	5.06	0.98	4.85	0.93

Note

1. DB : Dry bulb temperature(°C), WB : Wet bulb temperature(°C)
2. TC : Total capacity(kW)
3. PI : Power Input (kW, Compressor + indoor fan motor + outdoor fan motor)
4. All capacities are net. A deduction (cooling mode) or an addition (heating mode) of Capacity due to operating heat of indoor unit motor is reflected.
5. Capacities are based on the following conditions ;
 - Interconnecting Piping Length (Both Main pipe and Branch pipe) is standard length.
 - Difference of Elevation (Outdoor ~ Indoor Unit) is 0 m.
6. Direct interpolation is permissible. Do not extrapolate.
7. Rated capacities and power inputs are based on standard temperature and piping conditions, and it can be found on specifications table. Except for rated value, the performance is not guaranteed.
8. In accordance with the test standard(or nations) and indoor unit's combinations, the rating will vary slightly.

5. Capacity tables

5.3 Z3UW18GFA1 [MU3R19 U21]

◆ Cooling Capacity

Cooling Capacity [-18G-]

Combination capacity index (kBtu/h)	Outdoor Air Temp. (°CDB)	Indoor Air Temp. (°CWB)											
		14		16		18		19		22		24	
		TC	PI	TC	PI	TC	PI	TC	PI	TC	PI	TC	PI
1 Unit Operation													
5	22	1.39	0.20	1.48	0.27	1.57	0.29	1.61	0.29	1.74	0.29	1.83	0.29
	25	1.36	0.21	1.45	0.27	1.54	0.30	1.58	0.30	1.71	0.31	1.80	0.31
	32	1.28	0.28	1.37	0.33	1.46	0.35	1.50	0.35	1.63	0.36	1.72	0.37
	35	1.25	0.31	1.34	0.36	1.43	0.37	1.47	0.36	1.60	0.38	1.69	0.39
	40	1.20	0.34	1.28	0.37	1.37	0.38	1.41	0.38	1.54	0.38	1.63	0.39
	43	1.16	0.34	1.25	0.35	1.34	0.35	1.38	0.35	1.51	0.36	1.60	0.36
7	22	1.95	0.26	2.07	0.35	2.20	0.38	2.26	0.38	2.44	0.39	2.56	0.39
	25	1.91	0.28	2.03	0.36	2.15	0.39	2.21	0.39	2.39	0.40	2.52	0.41
	32	1.80	0.37	1.92	0.44	2.04	0.46	2.10	0.46	2.29	0.47	2.41	0.48
	35	1.75	0.41	1.87	0.47	2.00	0.49	2.05	0.48	2.24	0.50	2.36	0.51
	40	1.67	0.45	1.80	0.49	1.92	0.50	1.98	0.50	2.16	0.50	2.28	0.52
	43	1.63	0.44	1.75	0.47	1.87	0.46	1.93	0.46	2.12	0.47	2.24	0.48
9	22	2.51	0.32	2.67	0.44	2.82	0.47	2.90	0.48	3.14	0.48	3.29	0.48
	25	2.45	0.34	2.61	0.45	2.76	0.48	2.84	0.49	3.08	0.50	3.23	0.50
	32	2.31	0.46	2.47	0.54	2.62	0.57	2.70	0.58	2.94	0.59	3.10	0.60
	35	2.25	0.51	2.41	0.58	2.57	0.61	2.64	0.60	2.88	0.62	3.04	0.64
	40	2.15	0.56	2.31	0.61	2.47	0.62	2.55	0.62	2.78	0.63	2.94	0.64
	43	2.09	0.55	2.25	0.58	2.41	0.58	2.49	0.58	2.72	0.58	2.88	0.60
12	22	3.34	0.45	3.55	0.60	3.76	0.65	3.87	0.66	4.18	0.67	4.39	0.67
	25	3.27	0.47	3.48	0.62	3.68	0.67	3.79	0.68	4.10	0.69	4.31	0.70
	32	3.08	0.64	3.29	0.75	3.50	0.79	3.60	0.80	3.92	0.82	4.13	0.83
	35	3.00	0.71	3.21	0.81	3.42	0.84	3.52	0.82	3.84	0.86	4.05	0.88
	40	2.87	0.78	3.08	0.84	3.29	0.85	3.39	0.85	3.71	0.87	3.92	0.89
	43	2.79	0.76	3.00	0.80	3.21	0.80	3.32	0.80	3.63	0.81	3.84	0.82
15	22	4.18	0.54	4.44	0.74	4.70	0.80	4.83	0.81	5.23	0.81	5.49	0.81
	25	4.08	0.58	4.34	0.76	4.61	0.82	4.74	0.83	5.13	0.84	5.39	0.85
	32	3.85	0.78	4.11	0.92	4.37	0.96	4.51	0.97	4.90	1.00	5.16	1.01
	35	3.75	0.87	4.01	0.98	4.28	1.02	4.40	1.00	4.80	1.05	5.06	1.07
	40	3.59	0.95	3.85	1.03	4.11	1.04	4.24	1.04	4.63	1.06	4.90	1.08
	43	3.49	0.93	3.75	0.98	4.01	0.97	4.14	0.97	4.54	0.98	4.80	1.00
18	22	5.02	0.71	5.33	0.96	5.64	1.03	5.80	1.05	6.27	1.06	6.59	1.06
	25	4.90	0.75	5.21	0.98	5.53	1.06	5.68	1.08	6.15	1.09	6.47	1.10
	32	4.62	1.01	4.94	1.19	5.25	1.25	5.41	1.26	5.88	1.29	6.19	1.32
	35	4.50	1.13	4.82	1.28	5.13	1.32	5.28	1.30	5.76	1.36	6.07	1.39
	40	4.31	1.24	4.62	1.33	4.93	1.35	5.09	1.35	5.56	1.38	5.88	1.40
	43	4.19	1.21	4.50	1.27	4.82	1.27	4.97	1.26	5.44	1.28	5.76	1.30
2 Units Operation	22	4.07	1.09	4.38	1.10	4.70	1.07	4.85	1.06	5.32	1.06	5.64	1.09
	25	2.79	0.29	2.96	0.39	3.14	0.42	3.22	0.43	3.48	0.43	3.66	0.43
	32	2.72	0.31	2.90	0.40	3.07	0.43	3.16	0.44	3.42	0.45	3.59	0.45
	35	2.57	0.41	2.74	0.49	2.92	0.51	3.00	0.52	3.27	0.53	3.44	0.54
	40	2.50	0.46	2.68	0.52	2.85	0.54	2.93	0.53	3.20	0.56	3.37	0.57
	43	2.39	0.51	2.57	0.54	2.74	0.55	2.83	0.55	3.09	0.56	3.26	0.57
5+5	22	2.33	0.50	2.50	0.52	2.68	0.52	2.76	0.52	3.02	0.52	3.20	0.53
	25	2.26	0.44	2.44	0.45	2.61	0.44	2.70	0.44	2.96	0.44	3.13	0.45
	32	3.34	0.36	3.55	0.49	3.76	0.53	3.87	0.54	4.18	0.54	4.39	0.54
	35	3.27	0.39	3.48	0.51	3.68	0.55	3.79	0.55	4.10	0.56	4.31	0.57
	40	3.08	0.52	3.29	0.61	3.50	0.64	3.60	0.65	3.92	0.66	4.13	0.68
	43	3.00	0.58	3.21	0.66	3.42	0.68	3.52	0.67	3.84	0.70	4.05	0.72
5+7	22	2.87	0.64	3.08	0.68	3.29	0.69	3.39	0.70	3.71	0.71	3.92	0.72
	25	2.79	0.62	3.00	0.65	3.21	0.65	3.32	0.65	3.63	0.66	3.84	0.67
	32	2.71	0.56	2.92	0.57	3.13	0.55	3.24	0.55	3.55	0.55	3.76	0.56
	35	2.90	0.45	3.15	0.60	3.39	0.65	3.51	0.66	3.88	0.67	4.12	0.67
	40	3.81	0.47	4.05	0.62	4.30	0.67	4.42	0.68	4.79	0.69	5.03	0.70
	43	3.60	0.64	3.84	0.75	4.08	0.79	4.21	0.80	4.57	0.82	4.82	0.83
5+9	22	3.50	0.71	3.75	0.81	3.99	0.84	4.10	0.82	4.48	0.86	4.72	0.88
	25	3.35	0.78	3.59	0.84	3.84	0.85	3.96	0.85	4.33	0.87	4.57	0.89
	32	3.26	0.76	3.50	0.80	3.75	0.80	3.87	0.80	4.23	0.80	4.48	0.82
	35	3.17	0.69	3.41	0.69	3.65	0.68	3.78	0.67	4.14	0.67	4.39	0.69
	40	3.90	0.45	4.15	0.60	4.39	0.65	4.51	0.66	4.88	0.67	5.12	0.67
	43	3.81	0.47	4.05	0.62	4.30	0.67	4.42	0.68	4.79	0.69	5.03	0.70

5. Capacity tables

Cooling Capacity [-18G-]

Combination capacity index (kBtu/h)	Outdoor Air Temp. (°CDB)	Indoor Air Temp. (°CWB)											
		14		16		18		19		22		24	
		TC	PI	TC	PI	TC	PI	TC	PI	TC	PI	TC	PI
7+7	22	3.90	0.45	4.15	0.60	4.39	0.65	4.51	0.66	4.88	0.67	5.12	0.67
	25	3.81	0.47	4.05	0.62	4.30	0.67	4.42	0.68	4.79	0.69	5.03	0.70
	32	3.60	0.64	3.84	0.75	4.08	0.79	4.21	0.80	4.57	0.82	4.82	0.83
	35	3.50	0.71	3.75	0.81	3.99	0.84	4.10	0.82	4.48	0.86	4.72	0.88
	40	3.35	0.78	3.59	0.84	3.84	0.85	3.96	0.85	4.33	0.87	4.57	0.89
	43	3.26	0.76	3.50	0.80	3.75	0.80	3.87	0.80	4.23	0.80	4.48	0.82
7+9	46	3.17	0.69	3.41	0.69	3.65	0.68	3.78	0.67	4.14	0.67	4.39	0.69
	22	4.46	0.54	4.74	0.73	5.02	0.79	5.16	0.80	5.58	0.80	5.85	0.80
	25	4.35	0.57	4.63	0.75	4.91	0.81	5.05	0.82	5.47	0.83	5.75	0.84
	32	4.11	0.77	4.39	0.91	4.67	0.95	4.81	0.96	5.22	0.98	5.50	1.00
	35	4.00	0.86	4.28	0.97	4.56	1.01	4.69	0.99	5.12	1.04	5.40	1.06
	40	3.83	0.94	4.11	1.01	4.39	1.03	4.53	1.03	4.94	1.05	5.22	1.07
5+12	43	3.72	0.92	4.00	0.96	4.28	0.96	4.42	0.96	4.84	0.97	5.12	0.99
	46	3.62	0.83	3.90	0.84	4.18	0.82	4.31	0.81	4.73	0.81	5.01	0.83
	22	4.74	0.59	5.03	0.79	5.33	0.86	5.48	0.87	5.92	0.88	6.22	0.88
	25	4.63	0.63	4.92	0.82	5.22	0.88	5.37	0.90	5.81	0.91	6.11	0.92
	32	4.37	0.84	4.66	0.99	4.96	1.04	5.11	1.05	5.55	1.08	5.85	1.10
	35	4.25	0.94	4.55	1.06	4.85	1.10	4.98	1.08	5.44	1.14	5.74	1.16
9+9	40	4.07	1.03	4.36	1.11	4.66	1.12	4.81	1.13	5.25	1.14	5.55	1.17
	43	3.96	1.01	4.25	1.05	4.55	1.05	4.70	1.05	5.14	1.06	5.44	1.08
	46	3.84	0.90	4.14	0.92	4.44	0.89	4.58	0.89	5.03	0.89	5.33	0.91
	22	5.02	0.64	5.33	0.87	5.64	0.94	5.80	0.95	6.27	0.96	6.59	0.96
	25	4.90	0.68	5.21	0.89	5.53	0.96	5.68	0.98	6.15	0.99	6.47	1.00
	32	4.62	0.92	4.94	1.08	5.25	1.13	5.41	1.15	5.88	1.17	6.19	1.19
7+12	35	4.50	1.02	4.82	1.16	5.13	1.20	5.28	1.18	5.76	1.24	6.07	1.26
	40	4.31	1.12	4.62	1.21	4.93	1.23	5.09	1.23	5.56	1.25	5.88	1.27
	43	4.19	1.10	4.50	1.15	4.82	1.15	4.97	1.15	5.44	1.16	5.76	1.18
	46	4.07	0.99	4.38	1.00	4.70	0.97	4.85	0.97	5.32	0.97	5.64	0.99
	22	5.02	0.64	5.33	0.87	5.64	0.94	5.80	0.95	6.27	0.96	6.59	0.96
	25	4.90	0.68	5.21	0.89	5.53	0.96	5.68	0.98	6.15	0.99	6.47	1.00
5+15	32	4.62	0.92	4.94	1.08	5.25	1.13	5.41	1.15	5.88	1.17	6.19	1.19
	35	4.50	1.02	4.82	1.16	5.13	1.20	5.28	1.18	5.76	1.24	6.07	1.26
	40	4.31	1.12	4.62	1.21	4.93	1.23	5.09	1.23	5.56	1.25	5.88	1.27
	43	4.19	1.10	4.50	1.15	4.82	1.15	4.97	1.15	5.44	1.16	5.76	1.18
	46	4.07	0.99	4.38	1.00	4.70	0.97	4.85	0.97	5.32	0.97	5.64	0.99
	22	5.02	0.64	5.33	0.87	5.64	0.94	5.80	0.95	6.27	0.96	6.59	0.96
9+12	25	4.90	0.68	5.21	0.89	5.53	0.96	5.68	0.98	6.15	0.99	6.47	1.00
	32	4.62	0.92	4.94	1.08	5.25	1.13	5.41	1.15	5.88	1.17	6.19	1.19
	35	4.50	1.02	4.82	1.16	5.13	1.20	5.28	1.18	5.76	1.24	6.07	1.26
	40	4.31	1.12	4.62	1.21	4.93	1.23	5.09	1.23	5.56	1.25	5.88	1.27
	43	4.19	1.10	4.50	1.15	4.82	1.15	4.97	1.15	5.44	1.16	5.76	1.18
	46	4.07	0.99	4.38	1.00	4.70	0.97	4.85	0.97	5.32	0.97	5.64	0.99
7+15	22	5.02	0.64	5.33	0.87	5.64	0.94	5.80	0.95	6.27	0.96	6.59	0.96
	25	4.90	0.68	5.21	0.89	5.53	0.96	5.68	0.98	6.15	0.99	6.47	1.00
	32	4.62	0.92	4.94	1.08	5.25	1.13	5.41	1.15	5.88	1.17	6.19	1.19
	35	4.50	1.02	4.82	1.16	5.13	1.20	5.28	1.18	5.76	1.24	6.07	1.26
	40	4.31	1.12	4.62	1.21	4.93	1.23	5.09	1.23	5.56	1.25	5.88	1.27
	43	4.19	1.10	4.50	1.15	4.82	1.15	4.97	1.15	5.44	1.16	5.76	1.18
5+18	46	4.07	0.99	4.38	1.00	4.70	0.97	4.85	0.97	5.32	0.97	5.64	0.99
	22	5.02	0.64	5.33	0.87	5.64	0.94	5.80	0.95	6.27	0.96	6.59	0.96
	25	4.90	0.68	5.21	0.89	5.53	0.96	5.68	0.98	6.15	0.99	6.47	1.00
	32	4.62	0.92	4.94	1.08	5.25	1.13	5.41	1.15	5.88	1.17	6.19	1.19
	35	4.50	1.02	4.82	1.16	5.13	1.20	5.28	1.18	5.76	1.24	6.07	1.26
	40	4.31	1.12	4.62	1.21	4.93	1.23	5.09	1.23	5.56	1.25	5.88	1.27
9+15	43	4.19	1.10	4.50	1.15	4.82	1.15	4.97	1.15	5.44	1.16	5.76	1.18
	46	4.07	0.99	4.38	1.00	4.70	0.97	4.85	0.97	5.32	0.97	5.64	0.99
	22	5.02	0.64	5.33	0.87	5.64	0.94	5.80	0.95	6.27	0.96	6.59	0.96
	25	4.90	0.68	5.21	0.89	5.53	0.96	5.68	0.98	6.15	0.99	6.47	1.00
	32	4.62	0.92	4.94	1.08	5.25	1.13	5.41	1.15	5.88	1.17	6.19	1.19
	35	4.50	1.02	4.82	1.16	5.13	1.20	5.28	1.18	5.76	1.24	6.07	1.26

5. Capacity tables

Cooling Capacity [-18G-]

Combination capacity index (kBTu/h)	Outdoor Air Temp. (°CDB)	Indoor Air Temp. (°CWB)											
		14		16		18		19		22		24	
		TC	PI	TC	PI	TC	PI	TC	PI	TC	PI	TC	PI
12+12	22	5.02	0.64	5.33	0.87	5.64	0.94	5.80	0.95	6.27	0.96	6.59	0.96
	25	4.90	0.68	5.21	0.89	5.53	0.96	5.68	0.98	6.15	0.99	6.47	1.00
	32	4.62	0.92	4.94	1.08	5.25	1.13	5.41	1.15	5.88	1.17	6.19	1.19
	35	4.50	1.02	4.82	1.16	5.13	1.20	5.28	1.18	5.76	1.24	6.07	1.26
	40	4.31	1.12	4.62	1.21	4.93	1.23	5.09	1.23	5.56	1.25	5.88	1.27
	43	4.19	1.10	4.50	1.15	4.82	1.15	4.97	1.15	5.44	1.16	5.76	1.18
7+18	46	4.07	0.99	4.38	1.00	4.70	0.97	4.85	0.97	5.32	0.97	5.64	0.99
	22	5.02	0.64	5.33	0.87	5.64	0.94	5.80	0.95	6.27	0.96	6.59	0.96
	25	4.90	0.68	5.21	0.89	5.53	0.96	5.68	0.98	6.15	0.99	6.47	1.00
	32	4.62	0.92	4.94	1.08	5.25	1.13	5.41	1.15	5.88	1.17	6.19	1.19
	35	4.50	1.02	4.82	1.16	5.13	1.20	5.28	1.18	5.76	1.24	6.07	1.26
	40	4.31	1.12	4.62	1.21	4.93	1.23	5.09	1.23	5.56	1.25	5.88	1.27
9+18	43	4.19	1.10	4.50	1.15	4.82	1.15	4.97	1.15	5.44	1.16	5.76	1.18
	46	4.07	0.99	4.38	1.00	4.70	0.97	4.85	0.97	5.32	0.97	5.64	0.99
	22	5.02	0.64	5.33	0.87	5.64	0.94	5.80	0.95	6.27	0.96	6.59	0.96
	25	4.90	0.68	5.21	0.89	5.53	0.96	5.68	0.98	6.15	0.99	6.47	1.00
	32	4.62	0.92	4.94	1.08	5.25	1.13	5.41	1.15	5.88	1.17	6.19	1.19
	35	4.50	1.02	4.82	1.16	5.13	1.20	5.28	1.18	5.76	1.24	6.07	1.26
12+15	40	4.31	1.12	4.62	1.21	4.93	1.23	5.09	1.23	5.56	1.25	5.88	1.27
	43	4.19	1.10	4.50	1.15	4.82	1.15	4.97	1.15	5.44	1.16	5.76	1.18
	46	4.07	0.99	4.38	1.00	4.70	0.97	4.85	0.97	5.32	0.97	5.64	0.99
	22	5.02	0.64	5.33	0.87	5.64	0.94	5.80	0.95	6.27	0.96	6.59	0.96
	25	4.90	0.68	5.21	0.89	5.53	0.96	5.68	0.98	6.15	0.99	6.47	1.00
	32	4.62	0.92	4.94	1.08	5.25	1.13	5.41	1.15	5.88	1.17	6.19	1.19
5+24	35	4.50	1.02	4.82	1.16	5.13	1.20	5.28	1.18	5.76	1.24	6.07	1.26
	40	4.31	1.12	4.62	1.21	4.93	1.23	5.09	1.23	5.56	1.25	5.88	1.27
	43	4.19	1.10	4.50	1.15	4.82	1.15	4.97	1.15	5.44	1.16	5.76	1.18
	46	4.07	0.99	4.38	1.00	4.70	0.97	4.85	0.97	5.32	0.97	5.64	0.99
	22	5.02	0.64	5.33	0.87	5.64	0.94	5.80	0.95	6.27	0.96	6.59	0.96
	25	4.90	0.68	5.21	0.89	5.53	0.96	5.68	0.98	6.15	0.99	6.47	1.00
12+18	32	4.62	0.92	4.94	1.08	5.25	1.13	5.41	1.15	5.88	1.17	6.19	1.19
	35	4.50	1.02	4.82	1.16	5.13	1.20	5.28	1.18	5.76	1.24	6.07	1.26
	40	4.31	1.12	4.62	1.21	4.93	1.23	5.09	1.23	5.56	1.25	5.88	1.27
	43	4.19	1.10	4.50	1.15	4.82	1.15	4.97	1.15	5.44	1.16	5.76	1.18
	46	4.07	0.99	4.38	1.00	4.70	0.97	4.85	0.97	5.32	0.97	5.64	0.99
	22	5.02	0.64	5.33	0.87	5.64	0.94	5.80	0.95	6.27	0.96	6.59	0.96
15+15	25	4.90	0.68	5.21	0.89	5.53	0.96	5.68	0.98	6.15	0.99	6.47	1.00
	32	4.62	0.92	4.94	1.08	5.25	1.13	5.41	1.15	5.88	1.17	6.19	1.19
	35	4.50	1.02	4.82	1.16	5.13	1.20	5.28	1.18	5.76	1.24	6.07	1.26
	40	4.31	1.12	4.62	1.21	4.93	1.23	5.09	1.23	5.56	1.25	5.88	1.27
	43	4.19	1.10	4.50	1.15	4.82	1.15	4.97	1.15	5.44	1.16	5.76	1.18
	46	4.07	0.99	4.38	1.00	4.70	0.97	4.85	0.97	5.32	0.97	5.64	0.99
3 Units Operation													
5+5+5	22	4.18	0.45	4.44	0.61	4.70	0.67	4.83	0.67	5.23	0.68	5.49	0.68
	25	4.08	0.48	4.34	0.63	4.61	0.68	4.74	0.69	5.13	0.70	5.39	0.71
	32	3.85	0.65	4.11	0.76	4.37	0.80	4.51	0.81	4.90	0.83	5.16	0.85
	35	3.75	0.72	4.01	0.82	4.28	0.85	4.40	0.84	4.80	0.88	5.06	0.90
	40	3.59	0.79	3.85	0.86	4.11	0.87	4.24	0.87	4.63	0.88	4.90	0.90
	43	3.49	0.78	3.75	0.81	4.01	0.81	4.14	0.81	4.54	0.82	4.80	0.84
5+5+7	46	3.39	0.70	3.65	0.71	3.91	0.69	4.05	0.68	4.44	0.68	4.70	0.70
	22	4.74	0.55	5.03	0.74	5.33	0.81	5.48	0.82	5.92	0.82	6.22	0.82
	25	4.63	0.58	4.92	0.77	5.22	0.83	5.37	0.84	5.81	0.85	6.11	0.86
	32	4.37	0.79	4.66	0.93	4.96	0.97	5.11	0.98	5.55	1.01	5.85	1.02
	35	4.25	0.88	4.55	0.99	4.85	1.03	4.98	1.01	5.44	1.06	5.74	1.08
	40	4.07	0.96	4.36	1.04	4.66	1.05	4.81	1.05	5.25	1.07	5.55	1.09
5+5+9	43	3.96	0.94	4.25	0.99	4.55	0.98	4.70	0.98	5.14	0.99	5.44	1.01
	46	3.84	0.85	4.14	0.86	4.44	0.84	4.58	0.83	5.03	0.83	5.33	0.85
	22	5.02	0.60	5.33	0.81	5.64	0.88	5.80	0.89	6.27	0.90	6.59	0.90
	25	4.90	0.64	5.21	0.84	5.53	0.90	5.68	0.92	6.15	0.93	6.47	0.94
	32	4.62	0.86	4.94	1.01	5.25	1.07	5.41	1.08	5.88	1.10	6.19	1.12
	35	4.50	0.96	4.82	1.09	5.13	1.13	5.28	1.11	5.76	1.16	6.07	1.19
5+5+9	40	4.31	1.05	4.62	1.14	4.93	1.15	5.09	1.16	5.56	1.17	5.88	1.20
	43	4.19	1.03	4.50	1.08	4.82	1.08	4.97	1.08	5.44	1.09	5.76	1.11
	46	4.07	0.93	4.38	0.94	4.70	0.92	4.85	0.91	5.32	0.91	5.64	0.93

5. Capacity tables

Cooling Capacity [-18G-]

Combination capacity index (kBtu/h)	Outdoor Air Temp. (°CDB)	Indoor Air Temp. (°CWB)											
		14		16		18		19		22		24	
		TC	PI	TC	PI	TC	PI	TC	PI	TC	PI	TC	PI
5+7+7	22	5.02	0.60	5.33	0.81	5.64	0.88	5.80	0.89	6.27	0.90	6.59	0.90
	25	4.90	0.64	5.21	0.84	5.53	0.90	5.68	0.92	6.15	0.93	6.47	0.94
	32	4.62	0.86	4.94	1.01	5.25	1.07	5.41	1.08	5.88	1.10	6.19	1.12
	35	4.50	0.96	4.82	1.09	5.13	1.13	5.28	1.11	5.76	1.16	6.07	1.19
	40	4.31	1.05	4.62	1.14	4.93	1.15	5.09	1.16	5.56	1.17	5.88	1.20
	43	4.19	1.03	4.50	1.08	4.82	1.08	4.97	1.08	5.44	1.09	5.76	1.11
5+7+9	46	4.07	0.93	4.38	0.94	4.70	0.92	4.85	0.91	5.32	0.91	5.64	0.93
	22	5.02	0.60	5.33	0.81	5.64	0.88	5.80	0.89	6.27	0.90	6.59	0.90
	25	4.90	0.64	5.21	0.84	5.53	0.90	5.68	0.92	6.15	0.93	6.47	0.94
	32	4.62	0.86	4.94	1.01	5.25	1.07	5.41	1.08	5.88	1.10	6.19	1.12
	35	4.50	0.96	4.82	1.09	5.13	1.13	5.28	1.11	5.76	1.16	6.07	1.19
	40	4.31	1.05	4.62	1.14	4.93	1.15	5.09	1.16	5.56	1.17	5.88	1.20
7+7+7	43	4.19	1.03	4.50	1.08	4.82	1.08	4.97	1.08	5.44	1.09	5.76	1.11
	46	4.07	0.93	4.38	0.94	4.70	0.92	4.85	0.91	5.32	0.91	5.64	0.93
	22	5.02	0.60	5.33	0.81	5.64	0.88	5.80	0.89	6.27	0.90	6.59	0.90
	25	4.90	0.64	5.21	0.84	5.53	0.90	5.68	0.92	6.15	0.93	6.47	0.94
	32	4.62	0.86	4.94	1.01	5.25	1.07	5.41	1.08	5.88	1.10	6.19	1.12
	35	4.50	0.96	4.82	1.09	5.13	1.13	5.28	1.11	5.76	1.16	6.07	1.19
5+5+12	40	4.31	1.05	4.62	1.14	4.93	1.15	5.09	1.16	5.56	1.17	5.88	1.20
	43	4.19	1.03	4.50	1.08	4.82	1.08	4.97	1.08	5.44	1.09	5.76	1.11
	46	4.07	0.93	4.38	0.94	4.70	0.92	4.85	0.91	5.32	0.91	5.64	0.93
	22	5.02	0.60	5.33	0.81	5.64	0.88	5.80	0.89	6.27	0.90	6.59	0.90
	25	4.90	0.64	5.21	0.84	5.53	0.90	5.68	0.92	6.15	0.93	6.47	0.94
	32	4.62	0.86	4.94	1.01	5.25	1.07	5.41	1.08	5.88	1.10	6.19	1.12
5+9+9	35	4.50	0.96	4.82	1.09	5.13	1.13	5.28	1.11	5.76	1.16	6.07	1.19
	40	4.31	1.05	4.62	1.14	4.93	1.15	5.09	1.16	5.56	1.17	5.88	1.20
	43	4.19	1.03	4.50	1.08	4.82	1.08	4.97	1.08	5.44	1.09	5.76	1.11
	46	4.07	0.93	4.38	0.94	4.70	0.92	4.85	0.91	5.32	0.91	5.64	0.93
	22	5.02	0.60	5.33	0.81	5.64	0.88	5.80	0.89	6.27	0.90	6.59	0.90
	25	4.90	0.64	5.21	0.84	5.53	0.90	5.68	0.92	6.15	0.93	6.47	0.94
7+7+9	32	4.62	0.86	4.94	1.01	5.25	1.07	5.41	1.08	5.88	1.10	6.19	1.12
	35	4.50	0.96	4.82	1.09	5.13	1.13	5.28	1.11	5.76	1.16	6.07	1.19
	40	4.31	1.05	4.62	1.14	4.93	1.15	5.09	1.16	5.56	1.17	5.88	1.20
	43	4.19	1.03	4.50	1.08	4.82	1.08	4.97	1.08	5.44	1.09	5.76	1.11
	46	4.07	0.93	4.38	0.94	4.70	0.92	4.85	0.91	5.32	0.91	5.64	0.93
	22	5.02	0.60	5.33	0.81	5.64	0.88	5.80	0.89	6.27	0.90	6.59	0.90
5+7+12	25	4.90	0.64	5.21	0.84	5.53	0.90	5.68	0.92	6.15	0.93	6.47	0.94
	32	4.62	0.86	4.94	1.01	5.25	1.07	5.41	1.08	5.88	1.10	6.19	1.12
	35	4.50	0.96	4.82	1.09	5.13	1.13	5.28	1.11	5.76	1.16	6.07	1.19
	40	4.31	1.05	4.62	1.14	4.93	1.15	5.09	1.16	5.56	1.17	5.88	1.20
	43	4.19	1.03	4.50	1.08	4.82	1.08	4.97	1.08	5.44	1.09	5.76	1.11
	46	4.07	0.93	4.38	0.94	4.70	0.92	4.85	0.91	5.32	0.91	5.64	0.93
5+5+15	22	5.02	0.60	5.33	0.81	5.64	0.88	5.80	0.89	6.27	0.90	6.59	0.90
	25	4.90	0.64	5.21	0.84	5.53	0.90	5.68	0.92	6.15	0.93	6.47	0.94
	32	4.62	0.86	4.94	1.01	5.25	1.07	5.41	1.08	5.88	1.10	6.19	1.12
	35	4.50	0.96	4.82	1.09	5.13	1.13	5.28	1.11	5.76	1.16	6.07	1.19
	40	4.31	1.05	4.62	1.14	4.93	1.15	5.09	1.16	5.56	1.17	5.88	1.20
	43	4.19	1.03	4.50	1.08	4.82	1.08	4.97	1.08	5.44	1.09	5.76	1.11
7+9+9	46	4.07	0.93	4.38	0.94	4.70	0.92	4.85	0.91	5.32	0.91	5.64	0.93
	22	5.02	0.60	5.33	0.81	5.64	0.88	5.80	0.89	6.27	0.90	6.59	0.90
	25	4.90	0.64	5.21	0.84	5.53	0.90	5.68	0.92	6.15	0.93	6.47	0.94
	32	4.62	0.86	4.94	1.01	5.25	1.07	5.41	1.08	5.88	1.10	6.19	1.12
	35	4.50	0.96	4.82	1.09	5.13	1.13	5.28	1.11	5.76	1.16	6.07	1.19
	40	4.31	1.05	4.62	1.14	4.93	1.15	5.09	1.16	5.56	1.17	5.88	1.20
5+9+12	43	4.19	1.03	4.50	1.08	4.82	1.08	4.97	1.08	5.44	1.09	5.76	1.11
	46	4.07	0.93	4.38	0.94	4.70	0.92	4.85	0.91	5.32	0.91	5.64	0.93
	22	5.02	0.60	5.33	0.81	5.64	0.88	5.80	0.89	6.27	0.90	6.59	0.90
	25	4.90	0.64	5.21	0.84	5.53	0.90	5.68	0.92	6.15	0.93	6.47	0.94
	32	4.62	0.86	4.94	1.01	5.25	1.07	5.41	1.08	5.88	1.10	6.19	1.12
	35	4.50	0.96	4.82	1.09	5.13	1.13	5.28	1.11	5.76	1.16	6.07	1.19

5. Capacity tables

Cooling Capacity [-18G-]

Combination capacity index (kBtu/h)	Outdoor Air Temp. (°CDB)	Indoor Air Temp. (°CWB)											
		14		16		18		19		22		24	
		TC	PI	TC	PI	TC	PI	TC	PI	TC	PI	TC	PI
7+7+12	22	5.02	0.60	5.33	0.81	5.64	0.88	5.80	0.89	6.27	0.90	6.59	0.90
	25	4.90	0.64	5.21	0.84	5.53	0.90	5.68	0.92	6.15	0.93	6.47	0.94
	32	4.62	0.86	4.94	1.01	5.25	1.07	5.41	1.08	5.88	1.10	6.19	1.12
	35	4.50	0.96	4.82	1.09	5.13	1.13	5.28	1.11	5.76	1.16	6.07	1.19
	40	4.31	1.05	4.62	1.14	4.93	1.15	5.09	1.16	5.56	1.17	5.88	1.20
	43	4.19	1.03	4.50	1.08	4.82	1.08	4.97	1.08	5.44	1.09	5.76	1.11
	46	4.07	0.93	4.38	0.94	4.70	0.92	4.85	0.91	5.32	0.91	5.64	0.93
5+7+15	22	5.02	0.60	5.33	0.81	5.64	0.88	5.80	0.89	6.27	0.90	6.59	0.90
	25	4.90	0.64	5.21	0.84	5.53	0.90	5.68	0.92	6.15	0.93	6.47	0.94
	32	4.62	0.86	4.94	1.01	5.25	1.07	5.41	1.08	5.88	1.10	6.19	1.12
	35	4.50	0.96	4.82	1.09	5.13	1.13	5.28	1.11	5.76	1.16	6.07	1.19
	40	4.31	1.05	4.62	1.14	4.93	1.15	5.09	1.16	5.56	1.17	5.88	1.20
	43	4.19	1.03	4.50	1.08	4.82	1.08	4.97	1.08	5.44	1.09	5.76	1.11
	46	4.07	0.93	4.38	0.94	4.70	0.92	4.85	0.91	5.32	0.91	5.64	0.93
9+9+9	22	5.02	0.60	5.33	0.81	5.64	0.88	5.80	0.89	6.27	0.90	6.59	0.90
	25	4.90	0.64	5.21	0.84	5.53	0.90	5.68	0.92	6.15	0.93	6.47	0.94
	32	4.62	0.86	4.94	1.01	5.25	1.07	5.41	1.08	5.88	1.10	6.19	1.12
	35	4.50	0.96	4.82	1.09	5.13	1.13	5.28	1.11	5.76	1.16	6.07	1.19
	40	4.31	1.05	4.62	1.14	4.93	1.15	5.09	1.16	5.56	1.17	5.88	1.20
	43	4.19	1.03	4.50	1.08	4.82	1.08	4.97	1.08	5.44	1.09	5.76	1.11
	46	4.07	0.93	4.38	0.94	4.70	0.92	4.85	0.91	5.32	0.91	5.64	0.93
7+9+12	22	5.02	0.60	5.33	0.81	5.64	0.88	5.80	0.89	6.27	0.90	6.59	0.90
	25	4.90	0.64	5.21	0.84	5.53	0.90	5.68	0.92	6.15	0.93	6.47	0.94
	32	4.62	0.86	4.94	1.01	5.25	1.07	5.41	1.08	5.88	1.10	6.19	1.12
	35	4.50	0.96	4.82	1.09	5.13	1.13	5.28	1.11	5.76	1.16	6.07	1.19
	40	4.31	1.05	4.62	1.14	4.93	1.15	5.09	1.16	5.56	1.17	5.88	1.20
	43	4.19	1.03	4.50	1.08	4.82	1.08	4.97	1.08	5.44	1.09	5.76	1.11
	46	4.07	0.93	4.38	0.94	4.70	0.92	4.85	0.91	5.32	0.91	5.64	0.93
5+5+18	22	5.02	0.60	5.33	0.81	5.64	0.88	5.80	0.89	6.27	0.90	6.59	0.90
	25	4.90	0.64	5.21	0.84	5.53	0.90	5.68	0.92	6.15	0.93	6.47	0.94
	32	4.62	0.86	4.94	1.01	5.25	1.07	5.41	1.08	5.88	1.10	6.19	1.12
	35	4.50	0.96	4.82	1.09	5.13	1.13	5.28	1.11	5.76	1.16	6.07	1.19
	40	4.31	1.05	4.62	1.14	4.93	1.15	5.09	1.16	5.56	1.17	5.88	1.20
	43	4.19	1.03	4.50	1.08	4.82	1.08	4.97	1.08	5.44	1.09	5.76	1.11
	46	4.07	0.93	4.38	0.94	4.70	0.92	4.85	0.91	5.32	0.91	5.64	0.93
5+9+15	22	5.02	0.60	5.33	0.81	5.64	0.88	5.80	0.89	6.27	0.90	6.59	0.90
	25	4.90	0.64	5.21	0.84	5.53	0.90	5.68	0.92	6.15	0.93	6.47	0.94
	32	4.62	0.86	4.94	1.01	5.25	1.07	5.41	1.08	5.88	1.10	6.19	1.12
	35	4.50	0.96	4.82	1.09	5.13	1.13	5.28	1.11	5.76	1.16	6.07	1.19
	40	4.31	1.05	4.62	1.14	4.93	1.15	5.09	1.16	5.56	1.17	5.88	1.20
	43	4.19	1.03	4.50	1.08	4.82	1.08	4.97	1.08	5.44	1.09	5.76	1.11
	46	4.07	0.93	4.38	0.94	4.70	0.92	4.85	0.91	5.32	0.91	5.64	0.93
5+12+12	22	5.02	0.60	5.33	0.81	5.64	0.88	5.80	0.89	6.27	0.90	6.59	0.90
	25	4.90	0.64	5.21	0.84	5.53	0.90	5.68	0.92	6.15	0.93	6.47	0.94
	32	4.62	0.86	4.94	1.01	5.25	1.07	5.41	1.08	5.88	1.10	6.19	1.12
	35	4.50	0.96	4.82	1.09	5.13	1.13	5.28	1.11	5.76	1.16	6.07	1.19
	40	4.31	1.05	4.62	1.14	4.93	1.15	5.09	1.16	5.56	1.17	5.88	1.20
	43	4.19	1.03	4.50	1.08	4.82	1.08	4.97	1.08	5.44	1.09	5.76	1.11
	46	4.07	0.93	4.38	0.94	4.70	0.92	4.85	0.91	5.32	0.91	5.64	0.93
7+7+15	22	5.02	0.60	5.33	0.81	5.64	0.88	5.80	0.89	6.27	0.90	6.59	0.90
	25	4.90	0.64	5.21	0.84	5.53	0.90	5.68	0.92	6.15	0.93	6.47	0.94
	32	4.62	0.86	4.94	1.01	5.25	1.07	5.41	1.08	5.88	1.10	6.19	1.12
	35	4.50	0.96	4.82	1.09	5.13	1.13	5.28	1.11	5.76	1.16	6.07	1.19
	40	4.31	1.05	4.62	1.14	4.93	1.15	5.09	1.16	5.56	1.17	5.88	1.20
	43	4.19	1.03	4.50	1.08	4.82	1.08	4.97	1.08	5.44	1.09	5.76	1.11
	46	4.07	0.93	4.38	0.94	4.70	0.92	4.85	0.91	5.32	0.91	5.64	0.93
5+7+18	22	5.02	0.60	5.33	0.81	5.64	0.88	5.80	0.89	6.27	0.90	6.59	0.90
	25	4.90	0.64	5.21	0.84	5.53	0.90	5.68	0.92	6.15	0.93	6.47	0.94
	32	4.62	0.86	4.94	1.01	5.25	1.07	5.41	1.08	5.88	1.10	6.19	1.12
	35	4.50	0.96	4.82	1.09	5.13	1.13	5.28	1.11	5.76	1.16	6.07	1.19
	40	4.31	1.05	4.62	1.14	4.93	1.15	5.09	1.16	5.56	1.17	5.88	1.20
	43	4.19	1.03	4.50	1.08	4.82	1.08	4.97	1.08	5.44	1.09	5.76	1.11
	46	4.07	0.93	4.38	0.94	4.70	0.92	4.85	0.91	5.32	0.91	5.64	0.93
9+9+12	22	5.02	0.60	5.33	0.81	5.64	0.88	5.80	0.89	6.27	0.90	6.59	0.90
	25	4.90	0.64	5.21	0.84	5.53	0.90	5.68	0.92	6.15	0.93	6.47	0.94
	32	4.62	0.86	4.94	1.01	5.25	1.07	5.41	1.08	5.88	1.10	6.19	1.12
	35	4.50	0.96	4.82	1.09	5.13	1.13	5.28	1.11	5.76	1.16	6.07	1.19
	40	4.31	1.05	4.62	1.14	4.93	1.15	5.09	1.16	5.56	1.17	5.88	1.20
	43	4.19	1.03	4.50	1.08	4.82	1.08	4.97	1.08	5.44	1.09	5.76	1.11
	46	4.07	0.93	4.38	0.94	4.70	0.92	4.85	0.91	5.32	0.91	5.64	0.93

Note

1. DB : Dry bulb temperature(°C), WB : Wet bulb temperature(°C)
2. TC : Total capacity(kW)
3. PI : Power Input (kW, Compressor + indoor fan motor + outdoor fan motor)
4. All capacities are net. A deduction (cooling mode) or an addition (heating mode) of Capacity due to operating heat of indoor unit motor is reflected.

5. Capacity tables

5. Capacities are based on the following conditions ;
 - Interconnecting Piping Length (Both Main pipe and Branch pipe) is standard length.
 - Difference of Elevation (Outdoor ~ Indoor Unit) is 0 m.
6. Direct interpolation is permissible. Do not extrapolate.
7. Rated capacities and power inputs are based on standard temperature and piping conditions, and it can be found on specifications table. Except for rated value, the performance is not guaranteed.
8. In accordance with the test standard(or nations) and indoor unit's combinations, the rating will vary slightly.

5. Capacity tables

◆ Heating Capacity

Heating Capacity [-18G-]

Combination Capacity Index (kBtu/h)	Outdoor Air Temp. (°CWB)	Indoor Air Temp. (°CDB)											
		16.0		18.0		20.0		21.0		22.0		24.0	
		TC	PI	TC	PI	TC	PI	TC	PI	TC	PI	TC	PI
1 Unit Operation													
5	-15.0	1.78	0.80	1.70	0.78	1.61	0.76	1.58	0.75	1.55	0.74	1.48	0.72
	-10.0	1.78	0.71	1.70	0.69	1.61	0.67	1.58	0.66	1.55	0.65	1.48	0.63
	-5.0	1.78	0.62	1.70	0.60	1.61	0.58	1.58	0.57	1.55	0.56	1.48	0.54
	0.0	1.78	0.53	1.70	0.51	1.61	0.49	1.58	0.48	1.55	0.47	1.48	0.45
	6.0	1.78	0.42	1.70	0.40	1.61	0.38	1.58	0.37	1.55	0.36	1.48	0.35
	10.0	1.78	0.39	1.70	0.37	1.61	0.35	1.58	0.34	1.55	0.34	1.48	0.32
7	-15.0	1.78	0.35	1.70	0.33	1.61	0.31	1.58	0.31	1.55	0.30	1.48	0.28
	-15.0	2.73	1.11	2.59	1.16	2.46	1.15	2.41	1.13	2.36	1.12	2.27	1.09
	-10.0	2.73	1.07	2.59	1.04	2.46	1.01	2.41	1.00	2.36	0.98	2.27	0.95
	-5.0	2.73	0.93	2.59	0.91	2.46	0.88	2.41	0.86	2.36	0.85	2.27	0.82
	0.0	2.73	0.80	2.59	0.77	2.46	0.74	2.41	0.73	2.36	0.71	2.27	0.68
	6.0	2.73	0.64	2.59	0.61	2.46	0.58	2.41	0.56	2.36	0.55	2.27	0.52
9	10.0	2.73	0.59	2.59	0.56	2.46	0.53	2.41	0.52	2.36	0.51	2.27	0.48
	15.0	2.73	0.52	2.59	0.50	2.46	0.47	2.41	0.46	2.36	0.45	2.27	0.43
	-15.0	3.50	1.13	3.33	1.18	3.17	1.23	3.10	1.26	3.04	1.28	2.91	1.34
	-10.0	3.50	1.23	3.33	1.28	3.17	1.32	3.10	1.30	3.04	1.28	2.91	1.25
	-5.0	3.50	1.22	3.33	1.18	3.17	1.15	3.10	1.13	3.04	1.11	2.91	1.07
	0.0	3.50	1.04	3.33	1.01	3.17	0.97	3.10	0.95	3.04	0.93	2.91	0.89
12	6.0	3.50	0.83	3.33	0.80	3.17	0.76	3.10	0.74	3.04	0.72	2.91	0.68
	10.0	3.50	0.77	3.33	0.73	3.17	0.70	3.10	0.68	3.04	0.66	2.91	0.63
	15.0	3.50	0.68	3.33	0.65	3.17	0.62	3.10	0.61	3.04	0.59	2.91	0.56
	-15.0	4.13	1.14	4.08	1.19	3.87	1.25	3.79	1.27	3.71	1.30	3.56	1.35
	-10.0	4.28	1.25	4.08	1.30	3.87	1.35	3.79	1.38	3.71	1.40	3.56	1.46
	-5.0	4.28	1.35	4.08	1.40	3.87	1.44	3.79	1.42	3.71	1.40	3.56	1.35
15	0.0	4.28	1.32	4.08	1.27	3.87	1.22	3.79	1.20	3.71	1.17	3.56	1.13
	6.0	4.28	1.05	4.08	1.00	3.87	0.95	3.79	0.93	3.71	0.91	3.56	0.86
	10.0	4.28	0.97	4.08	0.92	3.87	0.88	3.79	0.86	3.71	0.83	3.56	0.79
	15.0	4.28	0.86	4.08	0.82	3.87	0.78	3.79	0.76	3.71	0.74	3.56	0.70
	-15.0	4.20	1.16	4.17	1.21	4.14	1.26	4.13	1.29	4.11	1.32	4.09	1.37
	-10.0	4.88	1.26	4.85	1.32	4.82	1.37	4.74	1.40	4.64	1.43	4.45	1.48
18	-5.0	5.35	1.37	5.09	1.43	4.84	1.48	4.74	1.51	4.64	1.53	4.45	1.59
	0.0	5.35	1.48	5.09	1.53	4.84	1.52	4.74	1.49	4.64	1.46	4.45	1.40
	6.0	5.35	1.31	5.09	1.25	4.84	1.19	4.74	1.16	4.64	1.13	4.45	1.07
	10.0	5.35	1.20	5.09	1.15	4.84	1.09	4.74	1.07	4.64	1.04	4.45	0.98
	15.0	5.35	1.07	5.09	1.02	4.84	0.97	4.74	0.95	4.64	0.93	4.45	0.88
	-15.0	4.27	1.38	4.24	1.45	4.21	1.51	4.19	1.54	4.18	1.58	4.15	1.64
2 Units Operation	-10.0	4.96	1.51	4.93	1.58	4.90	1.64	4.88	1.67	4.87	1.71	4.84	1.77
	-5.0	5.65	1.64	5.62	1.71	5.59	1.77	5.57	1.80	5.56	1.83	5.34	1.90
	0.0	6.34	1.77	6.11	1.83	5.80	1.90	5.69	1.85	5.57	1.80	5.34	1.71
	6.0	6.42	1.63	6.11	1.56	5.80	1.48	5.69	1.45	5.57	1.41	5.34	1.33
	10.0	6.42	1.50	6.11	1.43	5.80	1.36	5.69	1.33	5.57	1.30	5.34	1.23
	15.0	6.42	1.34	6.11	1.28	5.80	1.22	5.69	1.19	5.57	1.16	5.34	1.09
5+5	-15.0	3.89	1.13	3.71	1.19	3.52	1.18	3.45	1.17	3.38	1.15	3.24	1.12
	-10.0	3.89	1.10	3.71	1.07	3.52	1.04	3.45	1.03	3.38	1.01	3.24	0.98
	-5.0	3.89	0.97	3.71	0.94	3.52	0.91	3.45	0.89	3.38	0.88	3.24	0.85
	0.0	3.89	0.83	3.71	0.80	3.52	0.77	3.45	0.75	3.38	0.74	3.24	0.71
	6.0	3.89	0.66	3.71	0.63	3.52	0.60	3.45	0.58	3.38	0.57	3.24	0.54
	10.0	3.89	0.61	3.71	0.58	3.52	0.55	3.45	0.54	3.38	0.52	3.24	0.50
5+7	15.0	3.89	0.54	3.71	0.52	3.52	0.49	3.45	0.48	3.38	0.47	3.24	0.44
	-15.0	4.16	1.15	4.13	1.20	4.10	1.25	4.09	1.28	4.05	1.31	3.88	1.36
	-10.0	4.67	1.25	4.45	1.31	4.22	1.36	4.14	1.39	4.05	1.41	3.88	1.47
	-5.0	4.67	1.36	4.45	1.41	4.22	1.37	4.14	1.35	4.05	1.32	3.88	1.28
	0.0	4.67	1.25	4.45	1.20	4.22	1.16	4.14	1.13	4.05	1.11	3.88	1.07
	6.0	4.67	0.99	4.45	0.95	4.22	0.90	4.14	0.88	4.05	0.86	3.88	0.81
5+9	10.0	4.67	0.91	4.45	0.87	4.22	0.83	4.14	0.81	4.05	0.79	3.88	0.75
	15.0	4.67	0.82	4.45	0.78	4.22	0.74	4.14	0.72	4.05	0.70	3.88	0.67
	-15.0	4.21	1.16	4.18	1.21	4.15	1.27	4.13	1.29	4.12	1.32	4.09	1.37
	-10.0	4.89	1.27	4.86	1.32	4.83	1.37	4.81	1.40	4.73	1.43	4.53	1.48
	-5.0	5.45	1.37	5.19	1.43	4.92	1.43	4.83	1.41	4.73	1.38	4.53	1.34
	0.0	5.45	1.30	5.19	1.26	4.92	1.21	4.83	1.19	4.73	1.16	4.53	1.11
7+7	6.0	5.45	1.04	5.19	0.99	4.92	0.94	4.83	0.92	4.73	0.90	4.53	0.85
	10.0	5.45	0.96	5.19	0.91	4.92	0.87	4.83	0.85	4.73	0.83	4.53	0.78
	15.0	5.45	0.85	5.19	0.81	4.92	0.77	4.83	0.76	4.73	0.74	4.53	0.70
	-15.0	4.21	1.16	4.18	1.21	4.15	1.27	4.13	1.29	4.12	1.32	4.09	1.37
	-10.0	4.89	1.27	4.86	1.32	4.83	1.37	4.81	1.40	4.73	1.43	4.53	1.48
	-5.0	5.45	1.37	5.19	1.43	4.92	1.43	4.83	1.41	4.73	1.38	4.53	1.34

5. Capacity tables

Heating Capacity [-18G-]

Combination Capacity Index (kBtu/h)	Outdoor Air Temp. (°WB)	Indoor Air Temp. (°DB)											
		16.0		18.0		20.0		21.0		22.0		24.0	
		TC	PI	TC	PI	TC	PI	TC	PI	TC	PI	TC	PI
7+9	-15.0	4.25	1.17	4.22	1.23	4.19	1.28	4.18	1.31	4.17	1.34	4.14	1.39
	-10.0	4.94	1.28	4.91	1.34	4.88	1.39	4.87	1.42	4.86	1.44	4.83	1.50
	-5.0	5.63	1.39	5.60	1.44	5.57	1.50	5.51	1.53	5.40	1.55	5.18	1.58
	0.0	6.23	1.50	5.93	1.49	5.63	1.43	5.51	1.40	5.40	1.38	5.18	1.32
	6.0	6.23	1.23	5.93	1.17	5.63	1.12	5.51	1.09	5.40	1.06	5.18	1.01
	10.0	6.23	1.13	5.93	1.08	5.63	1.03	5.51	1.00	5.40	0.98	5.18	0.93
5+12	-15.0	4.28	1.23	4.25	1.29	4.22	1.34	4.20	1.37	4.19	1.40	4.16	1.46
	-10.0	4.97	1.34	4.94	1.40	4.91	1.46	4.90	1.49	4.88	1.52	4.86	1.57
	-5.0	5.66	1.46	5.63	1.52	5.60	1.57	5.59	1.60	5.58	1.63	5.50	1.69
	0.0	6.36	1.57	6.30	1.63	5.98	1.69	5.86	1.65	5.74	1.60	5.50	1.52
	6.0	6.62	1.45	6.30	1.38	5.98	1.32	5.86	1.29	5.74	1.25	5.50	1.19
	10.0	6.62	1.33	6.30	1.27	5.98	1.21	5.86	1.18	5.74	1.15	5.50	1.09
9+9	-15.0	4.30	1.30	4.27	1.36	4.24	1.42	4.23	1.45	4.21	1.48	4.19	1.54
	-10.0	5.00	1.42	4.97	1.48	4.94	1.54	4.92	1.57	4.91	1.60	4.88	1.66
	-5.0	5.70	1.54	5.66	1.60	5.63	1.66	5.62	1.69	5.61	1.72	5.58	1.78
	0.0	6.39	1.66	6.36	1.72	6.33	1.78	6.20	1.74	6.08	1.69	5.82	1.60
	6.0	7.01	1.53	6.67	1.46	6.33	1.39	6.20	1.36	6.08	1.32	5.82	1.25
	10.0	7.01	1.41	6.67	1.34	6.33	1.28	6.20	1.25	6.08	1.22	5.82	1.15
7+12	-15.0	4.30	1.30	4.27	1.36	4.24	1.42	4.23	1.45	4.21	1.48	4.19	1.54
	-10.0	5.00	1.42	4.97	1.48	4.94	1.54	4.92	1.57	4.91	1.60	4.88	1.66
	-5.0	5.70	1.54	5.66	1.60	5.63	1.66	5.62	1.69	5.61	1.72	5.58	1.78
	0.0	6.39	1.66	6.36	1.72	6.33	1.78	6.20	1.74	6.08	1.69	5.82	1.60
	6.0	7.01	1.53	6.67	1.46	6.33	1.39	6.20	1.36	6.08	1.32	5.82	1.25
	10.0	7.01	1.41	6.67	1.34	6.33	1.28	6.20	1.25	6.08	1.22	5.82	1.15
5+15	-15.0	4.30	1.30	4.27	1.36	4.24	1.42	4.23	1.45	4.21	1.48	4.19	1.54
	-10.0	5.00	1.42	4.97	1.48	4.94	1.54	4.92	1.57	4.91	1.60	4.88	1.66
	-5.0	5.70	1.54	5.66	1.60	5.63	1.66	5.62	1.69	5.61	1.72	5.58	1.78
	0.0	6.39	1.66	6.36	1.72	6.33	1.78	6.20	1.74	6.08	1.69	5.82	1.60
	6.0	7.01	1.53	6.67	1.46	6.33	1.39	6.20	1.36	6.08	1.32	5.82	1.25
	10.0	7.01	1.41	6.67	1.34	6.33	1.28	6.20	1.25	6.08	1.22	5.82	1.15
9+12	-15.0	4.30	1.30	4.27	1.36	4.24	1.42	4.23	1.45	4.21	1.48	4.19	1.54
	-10.0	5.00	1.42	4.97	1.48	4.94	1.54	4.92	1.57	4.91	1.60	4.88	1.66
	-5.0	5.70	1.54	5.66	1.60	5.63	1.66	5.62	1.69	5.61	1.72	5.58	1.78
	0.0	6.39	1.66	6.36	1.72	6.33	1.78	6.20	1.74	6.08	1.69	5.82	1.60
	6.0	7.01	1.53	6.67	1.46	6.33	1.39	6.20	1.36	6.08	1.32	5.82	1.25
	10.0	7.01	1.41	6.67	1.34	6.33	1.28	6.20	1.25	6.08	1.22	5.82	1.15
7+15	-15.0	4.30	1.30	4.27	1.36	4.24	1.42	4.23	1.45	4.21	1.48	4.19	1.54
	-10.0	5.00	1.42	4.97	1.48	4.94	1.54	4.92	1.57	4.91	1.60	4.88	1.66
	-5.0	5.70	1.54	5.66	1.60	5.63	1.66	5.62	1.69	5.61	1.72	5.58	1.78
	0.0	6.39	1.66	6.36	1.72	6.33	1.78	6.20	1.74	6.08	1.69	5.82	1.60
	6.0	7.01	1.53	6.67	1.46	6.33	1.39	6.20	1.36	6.08	1.32	5.82	1.25
	10.0	7.01	1.41	6.67	1.34	6.33	1.28	6.20	1.25	6.08	1.22	5.82	1.15
5+18	-15.0	4.30	1.30	4.27	1.36	4.24	1.42	4.23	1.45	4.21	1.48	4.19	1.54
	-10.0	5.00	1.42	4.97	1.48	4.94	1.54	4.92	1.57	4.91	1.60	4.88	1.66
	-5.0	5.70	1.54	5.66	1.60	5.63	1.66	5.62	1.69	5.61	1.72	5.58	1.78
	0.0	6.39	1.66	6.36	1.72	6.33	1.78	6.20	1.74	6.08	1.69	5.82	1.60
	6.0	7.01	1.53	6.67	1.46	6.33	1.39	6.20	1.36	6.08	1.32	5.82	1.25
	10.0	7.01	1.41	6.67	1.34	6.33	1.28	6.20	1.25	6.08	1.22	5.82	1.15
9+15	-15.0	4.30	1.30	4.27	1.36	4.24	1.42	4.23	1.45	4.21	1.48	4.19	1.54
	-10.0	5.00	1.42	4.97	1.48	4.94	1.54	4.92	1.57	4.91	1.60	4.88	1.66
	-5.0	5.70	1.54	5.66	1.60	5.63	1.66	5.62	1.69	5.61	1.72	5.58	1.78
	0.0	6.39	1.66	6.36	1.72	6.33	1.78	6.20	1.74	6.08	1.69	5.82	1.60
	6.0	7.01	1.53	6.67	1.46	6.33	1.39	6.20	1.36	6.08	1.32	5.82	1.25
	10.0	7.01	1.41	6.67	1.34	6.33	1.28	6.20	1.25	6.08	1.22	5.82	1.15
12+12	-15.0	4.30	1.30	4.27	1.36	4.24	1.42	4.23	1.45	4.21	1.48	4.19	1.54
	-10.0	5.00	1.42	4.97	1.48	4.94	1.54	4.92	1.57	4.91	1.60	4.88	1.66
	-5.0	5.70	1.54	5.66	1.60	5.63	1.66	5.62	1.69	5.61	1.72	5.58	1.78
	0.0	6.39	1.66	6.36	1.72	6.33	1.78	6.20	1.74	6.08	1.69	5.82	1.60
	6.0	7.01	1.53	6.67	1.46	6.33	1.39	6.20	1.36	6.08	1.32	5.82	1.25
	10.0	7.01	1.41	6.67	1.34	6.33	1.28	6.20	1.25	6.08	1.22	5.82	1.15
	15.0	7.01	1.26	6.67	1.20	6.33	1.14	6.20	1.11	6.08	1.08	5.82	1.03

5. Capacity tables

Heating Capacity [-18G-]

Combination Capacity Index (kBtu/h)	Outdoor Air Temp. (°CWB)	Indoor Air Temp. (°CDB)											
		16.0		18.0		20.0		21.0		22.0		24.0	
		TC	PI	TC	PI	TC	PI	TC	PI	TC	PI	TC	PI
7+18	-15.0	4.30	1.30	4.27	1.36	4.24	1.42	4.23	1.45	4.21	1.48	4.19	1.54
	-10.0	5.00	1.42	4.97	1.48	4.94	1.54	4.92	1.57	4.91	1.60	4.88	1.66
	-5.0	5.70	1.54	5.66	1.60	5.63	1.66	5.62	1.69	5.61	1.72	5.58	1.78
	0.0	6.39	1.66	6.36	1.72	6.33	1.78	6.20	1.74	6.08	1.69	5.82	1.60
	6.0	7.01	1.53	6.67	1.46	6.33	1.39	6.20	1.36	6.08	1.32	5.82	1.25
	10.0	7.01	1.41	6.67	1.34	6.33	1.28	6.20	1.25	6.08	1.22	5.82	1.15
9+18	-15.0	4.30	1.30	4.27	1.36	4.24	1.42	4.23	1.45	4.21	1.48	4.19	1.54
	-10.0	5.00	1.42	4.97	1.48	4.94	1.54	4.92	1.57	4.91	1.60	4.88	1.66
	-5.0	5.70	1.54	5.66	1.60	5.63	1.66	5.62	1.69	5.61	1.72	5.58	1.78
	0.0	6.39	1.66	6.36	1.72	6.33	1.78	6.20	1.74	6.08	1.69	5.82	1.60
	6.0	7.01	1.53	6.67	1.46	6.33	1.39	6.20	1.36	6.08	1.32	5.82	1.25
	10.0	7.01	1.41	6.67	1.34	6.33	1.28	6.20	1.25	6.08	1.22	5.82	1.15
12+15	-15.0	4.30	1.30	4.27	1.36	4.24	1.42	4.23	1.45	4.21	1.48	4.19	1.54
	-10.0	5.00	1.42	4.97	1.48	4.94	1.54	4.92	1.57	4.91	1.60	4.88	1.66
	-5.0	5.70	1.54	5.66	1.60	5.63	1.66	5.62	1.69	5.61	1.72	5.58	1.78
	0.0	6.39	1.66	6.36	1.72	6.33	1.78	6.20	1.74	6.08	1.69	5.82	1.60
	6.0	7.01	1.53	6.67	1.46	6.33	1.39	6.20	1.36	6.08	1.32	5.82	1.25
	10.0	7.01	1.41	6.67	1.34	6.33	1.28	6.20	1.25	6.08	1.22	5.82	1.15
5+24	-15.0	4.30	1.30	4.27	1.36	4.24	1.42	4.23	1.45	4.21	1.48	4.19	1.54
	-10.0	5.00	1.42	4.97	1.48	4.94	1.54	4.92	1.57	4.91	1.60	4.88	1.66
	-5.0	5.70	1.54	5.66	1.60	5.63	1.66	5.62	1.69	5.61	1.72	5.58	1.78
	0.0	6.39	1.66	6.36	1.72	6.33	1.78	6.20	1.74	6.08	1.69	5.82	1.60
	6.0	7.01	1.53	6.67	1.46	6.33	1.39	6.20	1.36	6.08	1.32	5.82	1.25
	10.0	7.01	1.41	6.67	1.34	6.33	1.28	6.20	1.25	6.08	1.22	5.82	1.15
12+18	-15.0	4.30	1.30	4.27	1.36	4.24	1.42	4.23	1.45	4.21	1.48	4.19	1.54
	-10.0	5.00	1.42	4.97	1.48	4.94	1.54	4.92	1.57	4.91	1.60	4.88	1.66
	-5.0	5.70	1.54	5.66	1.60	5.63	1.66	5.62	1.69	5.61	1.72	5.58	1.78
	0.0	6.39	1.66	6.36	1.72	6.33	1.78	6.20	1.74	6.08	1.69	5.82	1.60
	6.0	7.01	1.53	6.67	1.46	6.33	1.39	6.20	1.36	6.08	1.32	5.82	1.25
	10.0	7.01	1.41	6.67	1.34	6.33	1.28	6.20	1.25	6.08	1.22	5.82	1.15
15+15	-15.0	4.30	1.30	4.27	1.36	4.24	1.42	4.23	1.45	4.21	1.48	4.19	1.54
	-10.0	5.00	1.42	4.97	1.48	4.94	1.54	4.92	1.57	4.91	1.60	4.88	1.66
	-5.0	5.70	1.54	5.66	1.60	5.63	1.66	5.62	1.69	5.61	1.72	5.58	1.78
	0.0	6.39	1.66	6.36	1.72	6.33	1.78	6.20	1.74	6.08	1.69	5.82	1.60
	6.0	7.01	1.53	6.67	1.46	6.33	1.39	6.20	1.36	6.08	1.32	5.82	1.25
	10.0	7.01	1.41	6.67	1.34	6.33	1.28	6.20	1.25	6.08	1.22	5.82	1.15
3 Units Operation													
5+5+5	-15.0	4.23	1.17	4.20	1.22	4.17	1.27	4.16	1.30	4.14	1.33	4.12	1.38
	-10.0	4.92	1.27	4.89	1.33	4.86	1.38	4.84	1.41	4.83	1.44	4.80	1.49
	-5.0	5.60	1.38	5.56	1.44	5.28	1.43	5.17	1.41	5.06	1.39	4.85	1.34
	0.0	5.84	1.31	5.56	1.26	5.28	1.21	5.17	1.19	5.06	1.16	4.85	1.12
	6.0	5.84	1.04	5.56	0.99	5.28	0.95	5.17	0.92	5.06	0.90	4.85	0.85
	10.0	5.84	0.96	5.56	0.91	5.28	0.87	5.17	0.85	5.06	0.83	4.85	0.78
5+5+7	-15.0	4.28	1.18	4.25	1.23	4.22	1.29	4.20	1.32	4.19	1.34	4.16	1.40
	-10.0	4.97	1.29	4.94	1.34	4.91	1.40	4.90	1.43	4.88	1.45	4.86	1.51
	-5.0	5.66	1.40	5.63	1.45	5.60	1.51	5.59	1.53	5.58	1.56	5.50	1.58
	0.0	6.36	1.51	6.30	1.49	5.98	1.43	5.86	1.40	5.74	1.37	5.50	1.32
	6.0	6.62	1.23	6.30	1.17	5.98	1.12	5.86	1.09	5.74	1.06	5.50	1.01
	10.0	6.62	1.13	6.30	1.08	5.98	1.03	5.86	1.00	5.74	0.98	5.50	0.93
5+5+9	-15.0	4.30	1.18	4.27	1.24	4.24	1.29	4.23	1.32	4.21	1.35	4.19	1.40
	-10.0	5.00	1.29	4.97	1.35	4.94	1.40	4.92	1.43	4.91	1.46	4.88	1.51
	-5.0	5.70	1.40	5.66	1.46	5.63	1.51	5.62	1.54	5.61	1.57	5.58	1.62
	0.0	6.39	1.51	6.36	1.57	6.33	1.62	6.20	1.58	6.08	1.54	5.82	1.46
	6.0	7.01	1.39	6.67	1.33	6.33	1.27	6.20	1.23	6.08	1.20	5.82	1.14
	10.0	7.01	1.28	6.67	1.22	6.33	1.16	6.20	1.14	6.08	1.11	5.82	1.05
5+7+7	-15.0	4.30	1.18	4.27	1.24	4.24	1.29	4.23	1.32	4.21	1.35	4.19	1.40
	-10.0	5.00	1.29	4.97	1.35	4.94	1.40	4.92	1.43	4.91	1.46	4.88	1.51
	-5.0	5.70	1.40	5.66	1.46	5.63	1.51	5.62	1.54	5.61	1.57	5.58	1.62
	0.0	6.39	1.51	6.36	1.57	6.33	1.62	6.20	1.58	6.08	1.54	5.82	1.46
	6.0	7.01	1.39	6.67	1.33	6.33	1.27	6.20	1.23	6.08	1.20	5.82	1.14
	10.0	7.01	1.28	6.67	1.22	6.33	1.16	6.20	1.14	6.08	1.11	5.82	1.05
15.0	7.01	1.14	6.67	1.09	6.33	1.04	6.20	1.01	6.08	0.99	5.82	0.93	

5. Capacity tables

Heating Capacity [-18G-]

Combination Capacity Index (kBtu/h)	Outdoor Air Temp. (°WB)	Indoor Air Temp. (°DB)											
		16.0		18.0		20.0		21.0		22.0		24.0	
		TC	PI	TC	PI	TC	PI	TC	PI	TC	PI	TC	PI
5+7+9	-15.0	4.30	1.18	4.27	1.24	4.24	1.29	4.23	1.32	4.21	1.35	4.19	1.40
	-10.0	5.00	1.29	4.97	1.35	4.94	1.40	4.92	1.43	4.91	1.46	4.88	1.51
	-5.0	5.70	1.40	5.66	1.46	5.63	1.51	5.62	1.54	5.61	1.57	5.58	1.62
	0.0	6.39	1.51	6.36	1.57	6.33	1.62	6.20	1.58	6.08	1.54	5.82	1.46
	6.0	7.01	1.39	6.67	1.33	6.33	1.27	6.20	1.23	6.08	1.20	5.82	1.14
	10.0	7.01	1.28	6.67	1.22	6.33	1.16	6.20	1.14	6.08	1.11	5.82	1.05
7+7+7	15.0	7.01	1.14	6.67	1.09	6.33	1.04	6.20	1.01	6.08	0.99	5.82	0.93
	-15.0	4.30	1.18	4.27	1.24	4.24	1.29	4.23	1.32	4.21	1.35	4.19	1.40
	-10.0	5.00	1.29	4.97	1.35	4.94	1.40	4.92	1.43	4.91	1.46	4.88	1.51
	-5.0	5.70	1.40	5.66	1.46	5.63	1.51	5.62	1.54	5.61	1.57	5.58	1.62
	0.0	6.39	1.51	6.36	1.57	6.33	1.62	6.20	1.58	6.08	1.54	5.82	1.46
	6.0	7.01	1.39	6.67	1.33	6.33	1.27	6.20	1.23	6.08	1.20	5.82	1.14
5+5+12	10.0	7.01	1.28	6.67	1.22	6.33	1.16	6.20	1.14	6.08	1.11	5.82	1.05
	15.0	7.01	1.14	6.67	1.09	6.33	1.04	6.20	1.01	6.08	0.99	5.82	0.93
	-15.0	4.30	1.18	4.27	1.24	4.24	1.29	4.23	1.32	4.21	1.35	4.19	1.40
	-10.0	5.00	1.29	4.97	1.35	4.94	1.40	4.92	1.43	4.91	1.46	4.88	1.51
	-5.0	5.70	1.40	5.66	1.46	5.63	1.51	5.62	1.54	5.61	1.57	5.58	1.62
	0.0	6.39	1.51	6.36	1.57	6.33	1.62	6.20	1.58	6.08	1.54	5.82	1.46
5+9+9	6.0	7.01	1.39	6.67	1.33	6.33	1.27	6.20	1.23	6.08	1.20	5.82	1.14
	10.0	7.01	1.28	6.67	1.22	6.33	1.16	6.20	1.14	6.08	1.11	5.82	1.05
	15.0	7.01	1.14	6.67	1.09	6.33	1.04	6.20	1.01	6.08	0.99	5.82	0.93
	-15.0	4.30	1.18	4.27	1.24	4.24	1.29	4.23	1.32	4.21	1.35	4.19	1.40
	-10.0	5.00	1.29	4.97	1.35	4.94	1.40	4.92	1.43	4.91	1.46	4.88	1.51
	-5.0	5.70	1.40	5.66	1.46	5.63	1.51	5.62	1.54	5.61	1.57	5.58	1.62
7+7+9	0.0	6.39	1.51	6.36	1.57	6.33	1.62	6.20	1.58	6.08	1.54	5.82	1.46
	6.0	7.01	1.39	6.67	1.33	6.33	1.27	6.20	1.23	6.08	1.20	5.82	1.14
	10.0	7.01	1.28	6.67	1.22	6.33	1.16	6.20	1.14	6.08	1.11	5.82	1.05
	15.0	7.01	1.14	6.67	1.09	6.33	1.04	6.20	1.01	6.08	0.99	5.82	0.93
	-15.0	4.30	1.18	4.27	1.24	4.24	1.29	4.23	1.32	4.21	1.35	4.19	1.40
	-10.0	5.00	1.29	4.97	1.35	4.94	1.40	4.92	1.43	4.91	1.46	4.88	1.51
5+7+12	-5.0	5.70	1.40	5.66	1.46	5.63	1.51	5.62	1.54	5.61	1.57	5.58	1.62
	0.0	6.39	1.51	6.36	1.57	6.33	1.62	6.20	1.58	6.08	1.54	5.82	1.46
	6.0	7.01	1.39	6.67	1.33	6.33	1.27	6.20	1.23	6.08	1.20	5.82	1.14
	10.0	7.01	1.28	6.67	1.22	6.33	1.16	6.20	1.14	6.08	1.11	5.82	1.05
	15.0	7.01	1.14	6.67	1.09	6.33	1.04	6.20	1.01	6.08	0.99	5.82	0.93
	-15.0	4.30	1.18	4.27	1.24	4.24	1.29	4.23	1.32	4.21	1.35	4.19	1.40
5+5+15	-10.0	5.00	1.29	4.97	1.35	4.94	1.40	4.92	1.43	4.91	1.46	4.88	1.51
	-5.0	5.70	1.40	5.66	1.46	5.63	1.51	5.62	1.54	5.61	1.57	5.58	1.62
	0.0	6.39	1.51	6.36	1.57	6.33	1.62	6.20	1.58	6.08	1.54	5.82	1.46
	6.0	7.01	1.39	6.67	1.33	6.33	1.27	6.20	1.23	6.08	1.20	5.82	1.14
	10.0	7.01	1.28	6.67	1.22	6.33	1.16	6.20	1.14	6.08	1.11	5.82	1.05
	15.0	7.01	1.14	6.67	1.09	6.33	1.04	6.20	1.01	6.08	0.99	5.82	0.93
7+9+9	-15.0	4.30	1.18	4.27	1.24	4.24	1.29	4.23	1.32	4.21	1.35	4.19	1.40
	-10.0	5.00	1.29	4.97	1.35	4.94	1.40	4.92	1.43	4.91	1.46	4.88	1.51
	-5.0	5.70	1.40	5.66	1.46	5.63	1.51	5.62	1.54	5.61	1.57	5.58	1.62
	0.0	6.39	1.51	6.36	1.57	6.33	1.62	6.20	1.58	6.08	1.54	5.82	1.46
	6.0	7.01	1.39	6.67	1.33	6.33	1.27	6.20	1.23	6.08	1.20	5.82	1.14
	10.0	7.01	1.28	6.67	1.22	6.33	1.16	6.20	1.14	6.08	1.11	5.82	1.05
5+9+12	15.0	7.01	1.14	6.67	1.09	6.33	1.04	6.20	1.01	6.08	0.99	5.82	0.93
	-15.0	4.30	1.18	4.27	1.24	4.24	1.29	4.23	1.32	4.21	1.35	4.19	1.40
	-10.0	5.00	1.29	4.97	1.35	4.94	1.40	4.92	1.43	4.91	1.46	4.88	1.51
	-5.0	5.70	1.40	5.66	1.46	5.63	1.51	5.62	1.54	5.61	1.57	5.58	1.62
	0.0	6.39	1.51	6.36	1.57	6.33	1.62	6.20	1.58	6.08	1.54	5.82	1.46
	6.0	7.01	1.39	6.67	1.33	6.33	1.27	6.20	1.23	6.08	1.20	5.82	1.14
7+7+12	10.0	7.01	1.28	6.67	1.22	6.33	1.16	6.20	1.14	6.08	1.11	5.82	1.05
	15.0	7.01	1.14	6.67	1.09	6.33	1.04	6.20	1.01	6.08	0.99	5.82	0.93
	-15.0	4.30	1.18	4.27	1.24	4.24	1.29	4.23	1.32	4.21	1.35	4.19	1.40
	-10.0	5.00	1.29	4.97	1.35	4.94	1.40	4.92	1.43	4.91	1.46	4.88	1.51
	-5.0	5.70	1.40	5.66	1.46	5.63	1.51	5.62	1.54	5.61	1.57	5.58	1.62
	0.0	6.39	1.51	6.36	1.57	6.33	1.62	6.20	1.58	6.08	1.54	5.82	1.46

5. Capacity tables

Heating Capacity [-18G-]

Combination Capacity Index (kBTu/h)	Outdoor Air Temp. (°WB)	Indoor Air Temp. (°DB)											
		16.0		18.0		20.0		21.0		22.0		24.0	
		TC	PI	TC	PI	TC	PI	TC	PI	TC	PI	TC	PI
5+7+15	-15.0	4.30	1.18	4.27	1.24	4.24	1.29	4.23	1.32	4.21	1.35	4.19	1.40
	-10.0	5.00	1.29	4.97	1.35	4.94	1.40	4.92	1.43	4.91	1.46	4.88	1.51
	-5.0	5.70	1.40	5.66	1.46	5.63	1.51	5.62	1.54	5.61	1.57	5.58	1.62
	0.0	6.39	1.51	6.36	1.57	6.33	1.62	6.20	1.58	6.08	1.54	5.82	1.46
	6.0	7.01	1.39	6.67	1.33	6.33	1.27	6.20	1.23	6.08	1.20	5.82	1.14
	10.0	7.01	1.28	6.67	1.22	6.33	1.16	6.20	1.14	6.08	1.11	5.82	1.05
	15.0	7.01	1.14	6.67	1.09	6.33	1.04	6.20	1.01	6.08	0.99	5.82	0.93
9+9+9	-15.0	4.30	1.18	4.27	1.24	4.24	1.29	4.23	1.32	4.21	1.35	4.19	1.40
	-10.0	5.00	1.29	4.97	1.35	4.94	1.40	4.92	1.43	4.91	1.46	4.88	1.51
	-5.0	5.70	1.40	5.66	1.46	5.63	1.51	5.62	1.54	5.61	1.57	5.58	1.62
	0.0	6.39	1.51	6.36	1.57	6.33	1.62	6.20	1.58	6.08	1.54	5.82	1.46
	6.0	7.01	1.39	6.67	1.33	6.33	1.27	6.20	1.23	6.08	1.20	5.82	1.14
	10.0	7.01	1.28	6.67	1.22	6.33	1.16	6.20	1.14	6.08	1.11	5.82	1.05
	15.0	7.01	1.14	6.67	1.09	6.33	1.04	6.20	1.01	6.08	0.99	5.82	0.93
7+9+12	-15.0	4.30	1.18	4.27	1.24	4.24	1.29	4.23	1.32	4.21	1.35	4.19	1.40
	-10.0	5.00	1.29	4.97	1.35	4.94	1.40	4.92	1.43	4.91	1.46	4.88	1.51
	-5.0	5.70	1.40	5.66	1.46	5.63	1.51	5.62	1.54	5.61	1.57	5.58	1.62
	0.0	6.39	1.51	6.36	1.57	6.33	1.62	6.20	1.58	6.08	1.54	5.82	1.46
	6.0	7.01	1.39	6.67	1.33	6.33	1.27	6.20	1.23	6.08	1.20	5.82	1.14
	10.0	7.01	1.28	6.67	1.22	6.33	1.16	6.20	1.14	6.08	1.11	5.82	1.05
	15.0	7.01	1.14	6.67	1.09	6.33	1.04	6.20	1.01	6.08	0.99	5.82	0.93
5+5+18	-15.0	4.30	1.18	4.27	1.24	4.24	1.29	4.23	1.32	4.21	1.35	4.19	1.40
	-10.0	5.00	1.29	4.97	1.35	4.94	1.40	4.92	1.43	4.91	1.46	4.88	1.51
	-5.0	5.70	1.40	5.66	1.46	5.63	1.51	5.62	1.54	5.61	1.57	5.58	1.62
	0.0	6.39	1.51	6.36	1.57	6.33	1.62	6.20	1.58	6.08	1.54	5.82	1.46
	6.0	7.01	1.39	6.67	1.33	6.33	1.27	6.20	1.23	6.08	1.20	5.82	1.14
	10.0	7.01	1.28	6.67	1.22	6.33	1.16	6.20	1.14	6.08	1.11	5.82	1.05
	15.0	7.01	1.14	6.67	1.09	6.33	1.04	6.20	1.01	6.08	0.99	5.82	0.93
5+9+15	-15.0	4.30	1.18	4.27	1.24	4.24	1.29	4.23	1.32	4.21	1.35	4.19	1.40
	-10.0	5.00	1.29	4.97	1.35	4.94	1.40	4.92	1.43	4.91	1.46	4.88	1.51
	-5.0	5.70	1.40	5.66	1.46	5.63	1.51	5.62	1.54	5.61	1.57	5.58	1.62
	0.0	6.39	1.51	6.36	1.57	6.33	1.62	6.20	1.58	6.08	1.54	5.82	1.46
	6.0	7.01	1.39	6.67	1.33	6.33	1.27	6.20	1.23	6.08	1.20	5.82	1.14
	10.0	7.01	1.28	6.67	1.22	6.33	1.16	6.20	1.14	6.08	1.11	5.82	1.05
	15.0	7.01	1.14	6.67	1.09	6.33	1.04	6.20	1.01	6.08	0.99	5.82	0.93
5+12+12	-15.0	4.30	1.18	4.27	1.24	4.24	1.29	4.23	1.32	4.21	1.35	4.19	1.40
	-10.0	5.00	1.29	4.97	1.35	4.94	1.40	4.92	1.43	4.91	1.46	4.88	1.51
	-5.0	5.70	1.40	5.66	1.46	5.63	1.51	5.62	1.54	5.61	1.57	5.58	1.62
	0.0	6.39	1.51	6.36	1.57	6.33	1.62	6.20	1.58	6.08	1.54	5.82	1.46
	6.0	7.01	1.39	6.67	1.33	6.33	1.27	6.20	1.23	6.08	1.20	5.82	1.14
	10.0	7.01	1.28	6.67	1.22	6.33	1.16	6.20	1.14	6.08	1.11	5.82	1.05
	15.0	7.01	1.14	6.67	1.09	6.33	1.04	6.20	1.01	6.08	0.99	5.82	0.93
7+7+15	-15.0	4.30	1.18	4.27	1.24	4.24	1.29	4.23	1.32	4.21	1.35	4.19	1.40
	-10.0	5.00	1.29	4.97	1.35	4.94	1.40	4.92	1.43	4.91	1.46	4.88	1.51
	-5.0	5.70	1.40	5.66	1.46	5.63	1.51	5.62	1.54	5.61	1.57	5.58	1.62
	0.0	6.39	1.51	6.36	1.57	6.33	1.62	6.20	1.58	6.08	1.54	5.82	1.46
	6.0	7.01	1.39	6.67	1.33	6.33	1.27	6.20	1.23	6.08	1.20	5.82	1.14
	10.0	7.01	1.28	6.67	1.22	6.33	1.16	6.20	1.14	6.08	1.11	5.82	1.05
	15.0	7.01	1.14	6.67	1.09	6.33	1.04	6.20	1.01	6.08	0.99	5.82	0.93
5+7+18	-15.0	4.30	1.18	4.27	1.24	4.24	1.29	4.23	1.32	4.21	1.35	4.19	1.40
	-10.0	5.00	1.29	4.97	1.35	4.94	1.40	4.92	1.43	4.91	1.46	4.88	1.51
	-5.0	5.70	1.40	5.66	1.46	5.63	1.51	5.62	1.54	5.61	1.57	5.58	1.62
	0.0	6.39	1.51	6.36	1.57	6.33	1.62	6.20	1.58	6.08	1.54	5.82	1.46
	6.0	7.01	1.39	6.67	1.33	6.33	1.27	6.20	1.23	6.08	1.20	5.82	1.14
	10.0	7.01	1.28	6.67	1.22	6.33	1.16	6.20	1.14	6.08	1.11	5.82	1.05
	15.0	7.01	1.14	6.67	1.09	6.33	1.04	6.20	1.01	6.08	0.99	5.82	0.93
9+9+12	-15.0	4.30	1.18	4.27	1.24	4.24	1.29	4.23	1.32	4.21	1.35	4.19	1.40
	-10.0	5.00	1.29	4.97	1.35	4.94	1.40	4.92	1.43	4.91	1.46	4.88	1.51
	-5.0	5.70	1.40	5.66	1.46	5.63	1.51	5.62	1.54	5.61	1.57	5.58	1.62
	0.0	6.39	1.51	6.36	1.57	6.33	1.62	6.20	1.58	6.08	1.54	5.82	1.46
	6.0	7.01	1.39	6.67	1.33	6.33	1.27	6.20	1.23	6.08	1.20	5.82	1.14
	10.0	7.01	1.28	6.67	1.22	6.33	1.16	6.20	1.14	6.08	1.11	5.82	1.05
	15.0	7.01	1.14	6.67	1.09	6.33	1.04	6.20	1.01	6.08	0.99	5.82	0.93

Note

1. DB : Dry bulb temperature(°C), WB : Wet bulb temperature(°C)
2. TC : Total capacity(kW)
3. PI : Power Input (kW, Compressor + indoor fan motor + outdoor fan motor)
4. All capacities are net. A deduction (cooling mode) or an addition (heating mode) of Capacity due to operating heat of indoor unit motor is reflected.
5. Capacities are based on the following conditions ;
 - Interconnecting Piping Length (Both Main pipe and Branch pipe) is standard length.
 - Difference of Elevation (Outdoor ~ Indoor Unit) is 0 m.
6. Direct interpolation is permissible. Do not extrapolate.
7. Rated capacities and power inputs are based on standard temperature and piping conditions, and it can be found on specifications table. Except for rated value, the performance is not guaranteed.
8. In accordance with the test standard(or nations) and indoor unit's combinations, the rating will vary slightly.

5. Capacity tables

5.4 Z3UW21GFA1 [MU3R21 U21]

◆ Cooling Capacity

Cooling Capacity [-21G-]

Combination capacity index (kBtu/h)	Outdoor Air Temp. (°CDB)	Indoor Air Temp. (°CWB)											
		14		16		18		19		22		24	
		TC	PI	TC	PI	TC	PI	TC	PI	TC	PI	TC	PI
1 Unit Operation													
5	22	1.39	0.20	1.48	0.27	1.57	0.29	1.61	0.29	1.74	0.29	1.83	0.29
	25	1.36	0.21	1.45	0.27	1.54	0.30	1.58	0.30	1.71	0.31	1.80	0.31
	32	1.28	0.28	1.37	0.33	1.46	0.35	1.50	0.35	1.63	0.36	1.72	0.37
	35	1.25	0.31	1.34	0.36	1.43	0.37	1.47	0.36	1.60	0.38	1.69	0.39
	40	1.20	0.34	1.28	0.37	1.37	0.38	1.41	0.38	1.54	0.38	1.63	0.39
	43	1.16	0.34	1.25	0.35	1.34	0.35	1.38	0.35	1.51	0.36	1.60	0.36
7	22	1.95	0.26	2.07	0.35	2.20	0.38	2.26	0.38	2.44	0.39	2.56	0.39
	25	1.91	0.28	2.03	0.36	2.15	0.39	2.21	0.39	2.39	0.40	2.52	0.41
	32	1.80	0.37	1.92	0.44	2.04	0.46	2.10	0.46	2.29	0.47	2.41	0.48
	35	1.75	0.41	1.87	0.47	2.00	0.49	2.05	0.48	2.24	0.50	2.36	0.51
	40	1.67	0.45	1.80	0.49	1.92	0.50	1.98	0.50	2.16	0.50	2.28	0.52
	43	1.63	0.44	1.75	0.47	1.87	0.46	1.93	0.46	2.12	0.47	2.24	0.48
9	22	2.51	0.32	2.67	0.44	2.82	0.47	2.90	0.48	3.14	0.48	3.29	0.48
	25	2.45	0.34	2.61	0.45	2.76	0.48	2.84	0.49	3.08	0.50	3.23	0.50
	32	2.31	0.46	2.47	0.54	2.62	0.57	2.70	0.58	2.94	0.59	3.10	0.60
	35	2.25	0.51	2.41	0.58	2.57	0.61	2.64	0.60	2.88	0.62	3.04	0.64
	40	2.15	0.56	2.31	0.61	2.47	0.62	2.55	0.62	2.78	0.63	2.94	0.64
	43	2.09	0.55	2.25	0.58	2.41	0.58	2.49	0.58	2.72	0.58	2.88	0.60
12	22	3.34	0.45	3.55	0.60	3.76	0.65	3.87	0.66	4.18	0.67	4.39	0.67
	25	3.27	0.47	3.48	0.62	3.68	0.67	3.79	0.68	4.10	0.69	4.31	0.70
	32	3.08	0.64	3.29	0.75	3.50	0.79	3.60	0.80	3.92	0.82	4.13	0.83
	35	3.00	0.71	3.21	0.81	3.42	0.84	3.52	0.82	3.84	0.86	4.05	0.88
	40	2.87	0.78	3.08	0.84	3.29	0.85	3.39	0.85	3.71	0.87	3.92	0.89
	43	2.79	0.76	3.00	0.80	3.21	0.80	3.32	0.80	3.63	0.81	3.84	0.82
15	22	4.18	0.54	4.44	0.74	4.70	0.80	4.83	0.81	5.23	0.81	5.49	0.81
	25	4.08	0.58	4.34	0.76	4.61	0.82	4.74	0.83	5.13	0.84	5.39	0.85
	32	3.85	0.78	4.11	0.92	4.37	0.96	4.51	0.97	4.90	1.00	5.16	1.01
	35	3.75	0.87	4.01	0.98	4.28	1.02	4.40	1.00	4.80	1.05	5.06	1.07
	40	3.59	0.95	3.85	1.03	4.11	1.04	4.24	1.04	4.63	1.06	4.90	1.08
	43	3.49	0.93	3.75	0.98	4.01	0.97	4.14	0.97	4.54	0.98	4.80	1.00
18	22	5.02	0.71	5.33	0.96	5.64	1.03	5.80	1.05	6.27	1.06	6.59	1.06
	25	4.90	0.75	5.21	0.98	5.53	1.06	5.68	1.08	6.15	1.09	6.47	1.10
	32	4.62	1.01	4.94	1.19	5.25	1.25	5.41	1.26	5.88	1.29	6.19	1.32
	35	4.50	1.13	4.82	1.28	5.13	1.32	5.28	1.30	5.76	1.36	6.07	1.39
	40	4.31	1.24	4.62	1.33	4.93	1.35	5.09	1.35	5.56	1.38	5.88	1.40
	43	4.19	1.21	4.50	1.27	4.82	1.27	4.97	1.26	5.44	1.28	5.76	1.30
2 Units Operation	22	4.07	1.09	4.38	1.10	4.70	1.07	4.85	1.06	5.32	1.06	5.64	1.09
	25	2.79	0.29	2.96	0.39	3.14	0.42	3.22	0.43	3.48	0.43	3.66	0.43
	32	2.72	0.31	2.90	0.40	3.07	0.43	3.16	0.44	3.42	0.45	3.59	0.45
	35	2.57	0.41	2.74	0.49	2.92	0.51	3.00	0.52	3.27	0.53	3.44	0.54
	40	2.50	0.46	2.68	0.52	2.85	0.54	2.93	0.53	3.20	0.56	3.37	0.57
	43	2.39	0.51	2.57	0.54	2.74	0.55	2.83	0.55	3.09	0.56	3.26	0.57
5+5	22	2.33	0.50	2.50	0.52	2.68	0.52	2.76	0.52	3.02	0.52	3.20	0.53
	25	2.26	0.44	2.44	0.45	2.61	0.44	2.70	0.44	2.96	0.44	3.13	0.45
	32	3.34	0.36	3.55	0.49	3.76	0.53	3.87	0.54	4.18	0.54	4.39	0.54
	35	3.27	0.39	3.48	0.51	3.68	0.55	3.79	0.55	4.10	0.56	4.31	0.57
	40	3.08	0.52	3.29	0.61	3.50	0.64	3.60	0.65	3.92	0.66	4.13	0.68
	43	3.00	0.58	3.21	0.66	3.42	0.68	3.52	0.67	3.84	0.70	4.05	0.72
5+7	22	2.87	0.64	3.08	0.68	3.29	0.69	3.39	0.70	3.71	0.71	3.92	0.72
	25	2.79	0.62	3.00	0.65	3.21	0.65	3.32	0.65	3.63	0.66	3.84	0.67
	32	2.71	0.56	2.92	0.57	3.13	0.55	3.24	0.55	3.55	0.55	3.76	0.56
	35	2.90	0.45	3.15	0.60	3.39	0.65	3.51	0.66	3.88	0.67	4.12	0.67
	40	3.81	0.47	4.05	0.62	4.30	0.67	4.42	0.68	4.79	0.69	5.03	0.70
	43	3.60	0.64	3.84	0.75	4.08	0.79	4.21	0.80	4.57	0.82	4.82	0.83
5+9	22	3.50	0.71	3.75	0.81	3.99	0.84	4.10	0.82	4.48	0.86	4.72	0.88
	25	3.35	0.78	3.59	0.84	3.84	0.85	3.96	0.85	4.33	0.87	4.57	0.89
	32	3.26	0.76	3.50	0.80	3.75	0.80	3.87	0.80	4.23	0.80	4.48	0.82
	35	3.17	0.69	3.41	0.69	3.65	0.68	3.78	0.67	4.14	0.67	4.39	0.69
	40	3.90	0.45	4.15	0.60	4.39	0.65	4.51	0.66	4.88	0.67	5.12	0.67
	43	3.81	0.47	4.05	0.62	4.30	0.67	4.42	0.68	4.79	0.69	5.03	0.70

5. Capacity tables

Cooling Capacity [-21G-]

Combination capacity index (kBtu/h)	Outdoor Air Temp. (°CDB)	Indoor Air Temp. (°CWB)											
		14		16		18		19		22		24	
		TC	PI	TC	PI	TC	PI	TC	PI	TC	PI	TC	PI
7+7	22	3.90	0.45	4.15	0.60	4.39	0.65	4.51	0.66	4.88	0.67	5.12	0.67
	25	3.81	0.47	4.05	0.62	4.30	0.67	4.42	0.68	4.79	0.69	5.03	0.70
	32	3.60	0.64	3.84	0.75	4.08	0.79	4.21	0.80	4.57	0.82	4.82	0.83
	35	3.50	0.71	3.75	0.81	3.99	0.84	4.10	0.82	4.48	0.86	4.72	0.88
	40	3.35	0.78	3.59	0.84	3.84	0.85	3.96	0.85	4.33	0.87	4.57	0.89
	43	3.26	0.76	3.50	0.80	3.75	0.80	3.87	0.80	4.23	0.80	4.48	0.82
	46	3.17	0.69	3.41	0.69	3.65	0.68	3.78	0.67	4.14	0.67	4.39	0.69
7+9	22	4.46	0.54	4.74	0.73	5.02	0.79	5.16	0.80	5.58	0.80	5.85	0.80
	25	4.35	0.57	4.63	0.75	4.91	0.81	5.05	0.82	5.47	0.83	5.75	0.84
	32	4.11	0.77	4.39	0.91	4.67	0.95	4.81	0.96	5.22	0.98	5.50	1.00
	35	4.00	0.86	4.28	0.97	4.56	1.01	4.69	0.99	5.12	1.04	5.40	1.06
	40	3.83	0.94	4.11	1.01	4.39	1.03	4.53	1.03	4.94	1.05	5.22	1.07
	43	3.72	0.92	4.00	0.96	4.28	0.96	4.42	0.96	4.84	0.97	5.12	0.99
	46	3.62	0.83	3.90	0.84	4.18	0.82	4.31	0.81	4.73	0.81	5.01	0.83
5+12	22	4.74	0.59	5.03	0.79	5.33	0.86	5.48	0.87	5.92	0.88	6.22	0.88
	25	4.63	0.63	4.92	0.82	5.22	0.88	5.37	0.90	5.81	0.91	6.11	0.92
	32	4.37	0.84	4.66	0.99	4.96	1.04	5.11	1.05	5.55	1.08	5.85	1.10
	35	4.25	0.94	4.55	1.06	4.85	1.10	4.98	1.08	5.44	1.14	5.74	1.16
	40	4.07	1.03	4.36	1.11	4.66	1.12	4.81	1.13	5.25	1.14	5.55	1.17
	43	3.96	1.01	4.25	1.05	4.55	1.05	4.70	1.05	5.14	1.06	5.44	1.08
	46	3.84	0.90	4.14	0.92	4.44	0.89	4.58	0.89	5.03	0.89	5.33	0.91
9+9	22	5.02	0.64	5.33	0.87	5.64	0.94	5.80	0.95	6.27	0.96	6.59	0.96
	25	4.90	0.68	5.21	0.89	5.53	0.96	5.68	0.98	6.15	0.99	6.47	1.00
	32	4.62	0.92	4.94	1.08	5.25	1.13	5.41	1.15	5.88	1.17	6.19	1.19
	35	4.50	1.02	4.82	1.16	5.13	1.20	5.28	1.18	5.76	1.24	6.07	1.26
	40	4.31	1.12	4.62	1.21	4.93	1.23	5.09	1.23	5.56	1.25	5.88	1.27
	43	4.19	1.10	4.50	1.15	4.82	1.15	4.97	1.15	5.44	1.16	5.76	1.18
	46	4.07	0.99	4.38	1.00	4.70	0.97	4.85	0.97	5.32	0.97	5.64	0.99
7+12	22	5.30	0.70	5.63	0.95	5.96	1.02	6.12	1.04	6.62	1.05	6.95	1.05
	25	5.17	0.74	5.50	0.97	5.83	1.05	6.00	1.07	6.50	1.08	6.83	1.09
	32	4.88	1.00	5.21	1.18	5.54	1.24	5.71	1.25	6.20	1.28	6.54	1.30
	35	4.75	1.11	5.09	1.27	5.42	1.31	5.57	1.29	6.08	1.35	6.41	1.38
	40	4.55	1.22	4.88	1.32	5.21	1.34	5.37	1.34	5.87	1.36	6.20	1.39
	43	4.42	1.20	4.75	1.26	5.08	1.25	5.25	1.25	5.75	1.26	6.08	1.29
	46	4.30	1.08	4.63	1.09	4.96	1.06	5.12	1.05	5.62	1.05	5.95	1.08
5+15	22	5.57	0.76	5.92	1.03	6.27	1.12	6.45	1.13	6.97	1.14	7.32	1.14
	25	5.44	0.81	5.79	1.06	6.14	1.14	6.31	1.16	6.84	1.18	7.19	1.19
	32	5.14	1.09	5.48	1.28	5.83	1.35	6.01	1.36	6.53	1.40	6.88	1.42
	35	5.00	1.22	5.35	1.38	5.70	1.43	5.86	1.41	6.40	1.47	6.75	1.50
	40	4.79	1.33	5.13	1.44	5.48	1.46	5.66	1.46	6.18	1.48	6.53	1.52
	43	4.65	1.31	5.00	1.37	5.35	1.37	5.53	1.36	6.05	1.38	6.40	1.41
	46	4.52	1.17	4.87	1.19	5.22	1.16	5.39	1.15	5.92	1.15	6.27	1.18
9+12	22	5.85	0.83	6.22	1.12	6.59	1.22	6.77	1.23	7.32	1.24	7.68	1.24
	25	5.72	0.88	6.08	1.16	6.45	1.25	6.63	1.26	7.18	1.29	7.55	1.30
	32	5.39	1.19	5.76	1.40	6.12	1.47	6.31	1.48	6.86	1.52	7.22	1.55
	35	5.25	1.32	5.62	1.50	5.99	1.56	6.15	1.53	6.72	1.60	7.09	1.64
	40	5.02	1.45	5.39	1.56	5.76	1.59	5.94	1.59	6.49	1.62	6.85	1.65
	43	4.89	1.42	5.25	1.49	5.62	1.49	5.80	1.48	6.35	1.50	6.72	1.53
	46	4.75	1.28	5.11	1.29	5.48	1.26	5.66	1.25	6.21	1.25	6.58	1.28
7+15	22	5.85	0.83	6.22	1.12	6.59	1.22	6.77	1.23	7.32	1.24	7.68	1.24
	25	5.72	0.88	6.08	1.16	6.45	1.25	6.63	1.26	7.18	1.29	7.55	1.30
	32	5.39	1.19	5.76	1.40	6.12	1.47	6.31	1.48	6.86	1.52	7.22	1.55
	35	5.25	1.32	5.62	1.50	5.99	1.56	6.15	1.53	6.72	1.60	7.09	1.64
	40	5.02	1.45	5.39	1.56	5.76	1.59	5.94	1.59	6.49	1.62	6.85	1.65
	43	4.89	1.42	5.25	1.49	5.62	1.49	5.80	1.48	6.35	1.50	6.72	1.53
	46	4.75	1.28	5.11	1.29	5.48	1.26	5.66	1.25	6.21	1.25	6.58	1.28
5+18	22	5.85	0.83	6.22	1.12	6.59	1.22	6.77	1.23	7.32	1.24	7.68	1.24
	25	5.72	0.88	6.08	1.16	6.45	1.25	6.63	1.26	7.18	1.29	7.55	1.30
	32	5.39	1.19	5.76	1.40	6.12	1.47	6.31	1.48	6.86	1.52	7.22	1.55
	35	5.25	1.32	5.62	1.50	5.99	1.56	6.15	1.53	6.72	1.60	7.09	1.64
	40	5.02	1.45	5.39	1.56	5.76	1.59	5.94	1.59	6.49	1.62	6.85	1.65
	43	4.89	1.42	5.25	1.49	5.62	1.49	5.80	1.48	6.35	1.50	6.72	1.53
	46	4.75	1.28	5.11	1.29	5.48	1.26	5.66	1.25	6.21	1.25	6.58	1.28
9+15	22	5.85	0.83	6.22	1.12	6.59	1.22	6.77	1.23	7.32	1.24	7.68	1.24
	25	5.72	0.88	6.08	1.16	6.45	1.25	6.63	1.26	7.18	1.29	7.55	1.30
	32	5.39	1.19	5.76	1.40	6.12	1.47	6.31	1.48	6.86	1.52	7.22	1.55
	35	5.25	1.32	5.62	1.50	5.99	1.56	6.15	1.53	6.72	1.60	7.09	1.64
	40	5.02	1.45	5.39	1.56	5.76	1.59	5.94	1.59	6.49	1.62	6.85	1.65
	43	4.89	1.42	5.25	1.49	5.62	1.49	5.80	1.48	6.35	1.50	6.72	1.53
	46	4.75	1.28	5.11	1.29	5.48	1.26	5.66	1.25	6.21	1.25	6.58	1.28

5. Capacity tables

Cooling Capacity [-21G-]

Combination capacity index (kBtu/h)	Outdoor Air Temp. (°CDB)	Indoor Air Temp. (°CWB)											
		14		16		18		19		22		24	
		TC	PI	TC	PI	TC	PI	TC	PI	TC	PI	TC	PI
5+5+5	22	4.18	0.45	4.44	0.61	4.70	0.67	4.83	0.67	5.23	0.68	5.49	0.68
	25	4.08	0.48	4.34	0.63	4.61	0.68	4.74	0.69	5.13	0.70	5.39	0.71
	32	3.85	0.65	4.11	0.76	4.37	0.80	4.51	0.81	4.90	0.83	5.16	0.85
	35	3.75	0.72	4.01	0.82	4.28	0.85	4.40	0.84	4.80	0.88	5.06	0.90
	40	3.59	0.79	3.85	0.86	4.11	0.87	4.24	0.87	4.63	0.88	4.90	0.90
	43	3.49	0.78	3.75	0.81	4.01	0.81	4.14	0.81	4.54	0.82	4.80	0.84
	46	3.39	0.70	3.65	0.71	3.91	0.69	4.05	0.68	4.44	0.68	4.70	0.70
5+5+7	22	4.74	0.55	5.03	0.74	5.33	0.81	5.48	0.82	5.92	0.82	6.22	0.82
	25	4.63	0.58	4.92	0.77	5.22	0.83	5.37	0.84	5.81	0.85	6.11	0.86
	32	4.37	0.79	4.66	0.93	4.96	0.97	5.11	0.98	5.55	1.01	5.85	1.02
	35	4.25	0.88	4.55	0.99	4.85	1.03	4.98	1.01	5.44	1.06	5.74	1.08
	40	4.07	0.96	4.36	1.04	4.66	1.05	4.81	1.05	5.25	1.07	5.55	1.09
	43	3.96	0.94	4.25	0.99	4.55	0.98	4.70	0.98	5.14	0.99	5.44	1.01
	46	3.84	0.85	4.14	0.86	4.44	0.84	4.58	0.83	5.03	0.83	5.33	0.85
5+5+9	22	5.30	0.66	5.63	0.89	5.96	0.96	6.12	0.98	6.62	0.98	6.95	0.98
	25	5.17	0.70	5.50	0.92	5.83	0.99	6.00	1.00	6.50	1.02	6.83	1.03
	32	4.88	0.94	5.21	1.11	5.54	1.16	5.71	1.18	6.20	1.20	6.54	1.23
	35	4.75	1.05	5.09	1.19	5.42	1.23	5.57	1.21	6.08	1.27	6.41	1.30
	40	4.55	1.15	4.88	1.24	5.21	1.26	5.37	1.26	5.87	1.28	6.20	1.31
	43	4.42	1.13	4.75	1.18	5.08	1.18	5.25	1.18	5.75	1.19	6.08	1.21
	46	4.30	1.01	4.63	1.02	4.96	1.00	5.12	0.99	5.62	0.99	5.95	1.01
5+7+7	22	5.30	0.66	5.63	0.89	5.96	0.96	6.12	0.98	6.62	0.98	6.95	0.98
	25	5.17	0.70	5.50	0.92	5.83	0.99	6.00	1.00	6.50	1.02	6.83	1.03
	32	4.88	0.94	5.21	1.11	5.54	1.16	5.71	1.18	6.20	1.20	6.54	1.23
	35	4.75	1.05	5.09	1.19	5.42	1.23	5.57	1.21	6.08	1.27	6.41	1.30
	40	4.55	1.15	4.88	1.24	5.21	1.26	5.37	1.26	5.87	1.28	6.20	1.31
	43	4.42	1.13	4.75	1.18	5.08	1.18	5.25	1.18	5.75	1.19	6.08	1.21
	46	4.30	1.01	4.63	1.02	4.96	1.00	5.12	0.99	5.62	0.99	5.95	1.01
5+7+9	22	5.85	0.78	6.22	1.06	6.59	1.14	6.77	1.16	7.32	1.17	7.68	1.17
	25	5.72	0.83	6.08	1.09	6.45	1.17	6.63	1.19	7.18	1.21	7.55	1.22
	32	5.39	1.11	5.76	1.31	6.12	1.38	6.31	1.39	6.86	1.43	7.22	1.45
	35	5.25	1.24	5.62	1.41	5.99	1.46	6.15	1.44	6.72	1.51	7.09	1.54
	40	5.02	1.37	5.39	1.47	5.76	1.49	5.94	1.50	6.49	1.52	6.85	1.55
	43	4.89	1.34	5.25	1.40	5.62	1.40	5.80	1.39	6.35	1.41	6.72	1.44
	46	4.75	1.20	5.11	1.21	5.48	1.19	5.66	1.18	6.21	1.18	6.58	1.20
7+7+7	22	5.85	0.78	6.22	1.06	6.59	1.14	6.77	1.16	7.32	1.17	7.68	1.17
	25	5.72	0.83	6.08	1.09	6.45	1.17	6.63	1.19	7.18	1.21	7.55	1.22
	32	5.39	1.11	5.76	1.31	6.12	1.38	6.31	1.39	6.86	1.43	7.22	1.45
	35	5.25	1.24	5.62	1.41	5.99	1.46	6.15	1.44	6.72	1.51	7.09	1.54
	40	5.02	1.37	5.39	1.47	5.76	1.49	5.94	1.50	6.49	1.52	6.85	1.55
	43	4.89	1.34	5.25	1.40	5.62	1.40	5.80	1.39	6.35	1.41	6.72	1.44
	46	4.75	1.20	5.11	1.21	5.48	1.19	5.66	1.18	6.21	1.18	6.58	1.20
5+5+12	22	5.85	0.78	6.22	1.06	6.59	1.14	6.77	1.16	7.32	1.17	7.68	1.17
	25	5.72	0.83	6.08	1.09	6.45	1.17	6.63	1.19	7.18	1.21	7.55	1.22
	32	5.39	1.11	5.76	1.31	6.12	1.38	6.31	1.39	6.86	1.43	7.22	1.45
	35	5.25	1.24	5.62	1.41	5.99	1.46	6.15	1.44	6.72	1.51	7.09	1.54
	40	5.02	1.37	5.39	1.47	5.76	1.49	5.94	1.50	6.49	1.52	6.85	1.55
	43	4.89	1.34	5.25	1.40	5.62	1.40	5.80	1.39	6.35	1.41	6.72	1.44
	46	4.75	1.20	5.11	1.21	5.48	1.19	5.66	1.18	6.21	1.18	6.58	1.20
5+9+9	22	5.85	0.78	6.22	1.06	6.59	1.14	6.77	1.16	7.32	1.17	7.68	1.17
	25	5.72	0.83	6.08	1.09	6.45	1.17	6.63	1.19	7.18	1.21	7.55	1.22
	32	5.39	1.11	5.76	1.31	6.12	1.38	6.31	1.39	6.86	1.43	7.22	1.45
	35	5.25	1.24	5.62	1.41	5.99	1.46	6.15	1.44	6.72	1.51	7.09	1.54
	40	5.02	1.37	5.39	1.47	5.76	1.49	5.94	1.50	6.49	1.52	6.85	1.55
	43	4.89	1.34	5.25	1.40	5.62	1.40	5.80	1.39	6.35	1.41	6.72	1.44
	46	4.75	1.20	5.11	1.21	5.48	1.19	5.66	1.18	6.21	1.18	6.58	1.20
7+7+9	22	5.85	0.78	6.22	1.06	6.59	1.14	6.77	1.16	7.32	1.17	7.68	1.17
	25	5.72	0.83	6.08	1.09	6.45	1.17	6.63	1.19	7.18	1.21	7.55	1.22
	32	5.39	1.11	5.76	1.31	6.12	1.38	6.31	1.39	6.86	1.43	7.22	1.45
	35	5.25	1.24	5.62	1.41	5.99	1.46	6.15	1.44	6.72	1.51	7.09	1.54
	40	5.02	1.37	5.39	1.47	5.76	1.49	5.94	1.50	6.49	1.52	6.85	1.55
	43	4.89	1.34	5.25	1.40	5.62	1.40	5.80	1.39	6.35	1.41	6.72	1.44
	46	4.75	1.20	5.11	1.21	5.48	1.19	5.66	1.18	6.21	1.18	6.58	1.20
5+7+12	22	5.85	0.78	6.22	1.06	6.59	1.14	6.77	1.16	7.32	1.17	7.68	1.17
	25	5.72	0.83	6.08	1.09	6.45	1.17	6.63	1.19	7.18	1.21	7.55	1.22
	32	5.39	1.11	5.76	1.31	6.12	1.38	6.31	1.39	6.86	1.43	7.22	1.45
	35	5.25	1.24	5.62	1.41	5.99	1.46	6.15	1.44	6.72	1.51	7.09	1.54
	40	5.02	1.37	5.39	1.47	5.76	1.49	5.94	1.50	6.49	1.52	6.85	1.55
	43	4.89	1.34	5.25	1.40	5.62	1.40	5.80	1.39	6.35	1.41	6.72	1.44
	46	4.75	1.20	5.11	1.21	5.48	1.19	5.66	1.18	6.21	1.18	6.58	1.20

5. Capacity tables

Cooling Capacity [-21G-]

Combination capacity index (kBTU/h)	Outdoor Air Temp. (°CDB)	Indoor Air Temp. (°CWB)											
		14		16		18		19		22		24	
		TC	PI	TC	PI	TC	PI	TC	PI	TC	PI	TC	PI
7+7+15	22	5.85	0.78	6.22	1.06	6.59	1.14	6.77	1.16	7.32	1.17	7.68	1.17
	25	5.72	0.83	6.08	1.09	6.45	1.17	6.63	1.19	7.18	1.21	7.55	1.22
	32	5.39	1.11	5.76	1.31	6.12	1.38	6.31	1.39	6.86	1.43	7.22	1.45
	35	5.25	1.24	5.62	1.41	5.99	1.46	6.15	1.44	6.72	1.51	7.09	1.54
	40	5.02	1.37	5.39	1.47	5.76	1.49	5.94	1.50	6.49	1.52	6.85	1.55
	43	4.89	1.34	5.25	1.40	5.62	1.40	5.80	1.39	6.35	1.41	6.72	1.44
	46	4.75	1.20	5.11	1.21	5.48	1.19	5.66	1.18	6.21	1.18	6.58	1.20
5+7+18	22	5.85	0.78	6.22	1.06	6.59	1.14	6.77	1.16	7.32	1.17	7.68	1.17
	25	5.72	0.83	6.08	1.09	6.45	1.17	6.63	1.19	7.18	1.21	7.55	1.22
	32	5.39	1.11	5.76	1.31	6.12	1.38	6.31	1.39	6.86	1.43	7.22	1.45
	35	5.25	1.24	5.62	1.41	5.99	1.46	6.15	1.44	6.72	1.51	7.09	1.54
	40	5.02	1.37	5.39	1.47	5.76	1.49	5.94	1.50	6.49	1.52	6.85	1.55
	43	4.89	1.34	5.25	1.40	5.62	1.40	5.80	1.39	6.35	1.41	6.72	1.44
	46	4.75	1.20	5.11	1.21	5.48	1.19	5.66	1.18	6.21	1.18	6.58	1.20
9+9+12	22	5.85	0.78	6.22	1.06	6.59	1.14	6.77	1.16	7.32	1.17	7.68	1.17
	25	5.72	0.83	6.08	1.09	6.45	1.17	6.63	1.19	7.18	1.21	7.55	1.22
	32	5.39	1.11	5.76	1.31	6.12	1.38	6.31	1.39	6.86	1.43	7.22	1.45
	35	5.25	1.24	5.62	1.41	5.99	1.46	6.15	1.44	6.72	1.51	7.09	1.54
	40	5.02	1.37	5.39	1.47	5.76	1.49	5.94	1.50	6.49	1.52	6.85	1.55
	43	4.89	1.34	5.25	1.40	5.62	1.40	5.80	1.39	6.35	1.41	6.72	1.44
	46	4.75	1.20	5.11	1.21	5.48	1.19	5.66	1.18	6.21	1.18	6.58	1.20
7+9+15	22	5.85	0.78	6.22	1.06	6.59	1.14	6.77	1.16	7.32	1.17	7.68	1.17
	25	5.72	0.83	6.08	1.09	6.45	1.17	6.63	1.19	7.18	1.21	7.55	1.22
	32	5.39	1.11	5.76	1.31	6.12	1.38	6.31	1.39	6.86	1.43	7.22	1.45
	35	5.25	1.24	5.62	1.41	5.99	1.46	6.15	1.44	6.72	1.51	7.09	1.54
	40	5.02	1.37	5.39	1.47	5.76	1.49	5.94	1.50	6.49	1.52	6.85	1.55
	43	4.89	1.34	5.25	1.40	5.62	1.40	5.80	1.39	6.35	1.41	6.72	1.44
	46	4.75	1.20	5.11	1.21	5.48	1.19	5.66	1.18	6.21	1.18	6.58	1.20
7+12+12	22	5.85	0.78	6.22	1.06	6.59	1.14	6.77	1.16	7.32	1.17	7.68	1.17
	25	5.72	0.83	6.08	1.09	6.45	1.17	6.63	1.19	7.18	1.21	7.55	1.22
	32	5.39	1.11	5.76	1.31	6.12	1.38	6.31	1.39	6.86	1.43	7.22	1.45
	35	5.25	1.24	5.62	1.41	5.99	1.46	6.15	1.44	6.72	1.51	7.09	1.54
	40	5.02	1.37	5.39	1.47	5.76	1.49	5.94	1.50	6.49	1.52	6.85	1.55
	43	4.89	1.34	5.25	1.40	5.62	1.40	5.80	1.39	6.35	1.41	6.72	1.44
	46	4.75	1.20	5.11	1.21	5.48	1.19	5.66	1.18	6.21	1.18	6.58	1.20
5+12+15	22	5.85	0.78	6.22	1.06	6.59	1.14	6.77	1.16	7.32	1.17	7.68	1.17
	25	5.72	0.83	6.08	1.09	6.45	1.17	6.63	1.19	7.18	1.21	7.55	1.22
	32	5.39	1.11	5.76	1.31	6.12	1.38	6.31	1.39	6.86	1.43	7.22	1.45
	35	5.25	1.24	5.62	1.41	5.99	1.46	6.15	1.44	6.72	1.51	7.09	1.54
	40	5.02	1.37	5.39	1.47	5.76	1.49	5.94	1.50	6.49	1.52	6.85	1.55
	43	4.89	1.34	5.25	1.40	5.62	1.40	5.80	1.39	6.35	1.41	6.72	1.44
	46	4.75	1.20	5.11	1.21	5.48	1.19	5.66	1.18	6.21	1.18	6.58	1.20
5+9+18	22	5.85	0.78	6.22	1.06	6.59	1.14	6.77	1.16	7.32	1.17	7.68	1.17
	25	5.72	0.83	6.08	1.09	6.45	1.17	6.63	1.19	7.18	1.21	7.55	1.22
	32	5.39	1.11	5.76	1.31	6.12	1.38	6.31	1.39	6.86	1.43	7.22	1.45
	35	5.25	1.24	5.62	1.41	5.99	1.46	6.15	1.44	6.72	1.51	7.09	1.54
	40	5.02	1.37	5.39	1.47	5.76	1.49	5.94	1.50	6.49	1.52	6.85	1.55
	43	4.89	1.34	5.25	1.40	5.62	1.40	5.80	1.39	6.35	1.41	6.72	1.44
	46	4.75	1.20	5.11	1.21	5.48	1.19	5.66	1.18	6.21	1.18	6.58	1.20
7+7+18	22	5.85	0.78	6.22	1.06	6.59	1.14	6.77	1.16	7.32	1.17	7.68	1.17
	25	5.72	0.83	6.08	1.09	6.45	1.17	6.63	1.19	7.18	1.21	7.55	1.22
	32	5.39	1.11	5.76	1.31	6.12	1.38	6.31	1.39	6.86	1.43	7.22	1.45
	35	5.25	1.24	5.62	1.41	5.99	1.46	6.15	1.44	6.72	1.51	7.09	1.54
	40	5.02	1.37	5.39	1.47	5.76	1.49	5.94	1.50	6.49	1.52	6.85	1.55
	43	4.89	1.34	5.25	1.40	5.62	1.40	5.80	1.39	6.35	1.41	6.72	1.44
	46	4.75	1.20	5.11	1.21	5.48	1.19	5.66	1.18	6.21	1.18	6.58	1.20
9+9+15	22	5.85	0.78	6.22	1.06	6.59	1.14	6.77	1.16	7.32	1.17	7.68	1.17
	25	5.72	0.83	6.08	1.09	6.45	1.17	6.63	1.19	7.18	1.21	7.55	1.22
	32	5.39	1.11	5.76	1.31	6.12	1.38	6.31	1.39	6.86	1.43	7.22	1.45
	35	5.25	1.24	5.62	1.41	5.99	1.46	6.15	1.44	6.72	1.51	7.09	1.54
	40	5.02	1.37	5.39	1.47	5.76	1.49	5.94	1.50	6.49	1.52	6.85	1.55
	43	4.89	1.34	5.25	1.40	5.62	1.40	5.80	1.39	6.35	1.41	6.72	1.44
	46	4.75	1.20	5.11	1.21	5.48	1.19	5.66	1.18	6.21	1.18	6.58	1.20
9+12+12	22	5.85	0.78	6.22	1.06	6.59	1.14	6.77	1.16	7.32	1.17	7.68	1.17
	25	5.72	0.83	6.08	1.09	6.45	1.17	6.63	1.19	7.18	1.21	7.55	1.22
	32	5.39	1.11	5.76	1.31	6.12	1.38	6.31	1.39	6.86	1.43	7.22	1.45
	35	5.25	1.24	5.62	1.41	5.99	1.46	6.15	1.44	6.72	1.51	7.09	1.54
	40	5.02	1.37	5.39	1.47	5.76	1.49	5.94	1.50	6.49	1.52	6.85	1.55
	43	4.89	1.34	5.25	1.40	5.62	1.40	5.80	1.39	6.35	1.41	6.72	1.44
	46	4.75	1.20	5.11	1.21	5.48	1.19	5.66	1.18	6.21	1.18	6.58	1.20

Note

1. DB : Dry bulb temperature(°C), WB : Wet bulb temperature(°C)
2. TC : Total capacity(kW)
3. PI : Power Input (kW, Compressor + indoor fan motor + outdoor fan motor)
4. All capacities are net. A deduction (cooling mode) or an addition (heating mode) of Capacity due to operating heat of indoor unit motor is reflected.

5. Capacity tables

5. Capacities are based on the following conditions ;
 - Interconnecting Piping Length (Both Main pipe and Branch pipe) is standard length.
 - Difference of Elevation (Outdoor ~ Indoor Unit) is 0 m.
6. Direct interpolation is permissible. Do not extrapolate.
7. Rated capacities and power inputs are based on standard temperature and piping conditions, and it can be found on specifications table. Except for rated value, the performance is not guaranteed.
8. In accordance with the test standard(or nations) and indoor unit's combinations, the rating will vary slightly.

5. Capacity tables

◆ Heating Capacity

Heating Capacity [-21G-]

Combination Capacity Index (kBtu/h)	Outdoor Air Temp. (°CWB)	Indoor Air Temp. (°CDB)											
		16.0		18.0		20.0		21.0		22.0		24.0	
		TC	PI	TC	PI	TC	PI	TC	PI	TC	PI	TC	PI
1 Unit Operation													
5	-15.0	1.78	0.80	1.70	0.78	1.61	0.76	1.58	0.75	1.55	0.74	1.48	0.72
	-10.0	1.78	0.71	1.70	0.69	1.61	0.67	1.58	0.66	1.55	0.65	1.48	0.63
	-5.0	1.78	0.62	1.70	0.60	1.61	0.58	1.58	0.57	1.55	0.56	1.48	0.54
	0.0	1.78	0.53	1.70	0.51	1.61	0.49	1.58	0.48	1.55	0.47	1.48	0.45
	6.0	1.78	0.42	1.70	0.40	1.61	0.38	1.58	0.37	1.55	0.36	1.48	0.35
	10.0	1.78	0.39	1.70	0.37	1.61	0.35	1.58	0.34	1.55	0.34	1.48	0.32
7	-15.0	1.78	0.35	1.70	0.33	1.61	0.31	1.58	0.31	1.55	0.30	1.48	0.28
	-15.0	2.73	1.20	2.59	1.18	2.46	1.15	2.41	1.13	2.36	1.12	2.27	1.09
	-10.0	2.73	1.07	2.59	1.04	2.46	1.01	2.41	1.00	2.36	0.98	2.27	0.95
	-5.0	2.73	0.93	2.59	0.91	2.46	0.88	2.41	0.86	2.36	0.85	2.27	0.82
	0.0	2.73	0.80	2.59	0.77	2.46	0.74	2.41	0.73	2.36	0.71	2.27	0.68
	6.0	2.73	0.64	2.59	0.61	2.46	0.58	2.41	0.56	2.36	0.55	2.27	0.52
9	10.0	2.73	0.59	2.59	0.56	2.46	0.53	2.41	0.52	2.36	0.51	2.27	0.48
	15.0	2.73	0.52	2.59	0.50	2.46	0.47	2.41	0.46	2.36	0.45	2.27	0.43
	-15.0	3.50	1.27	3.33	1.34	3.17	1.42	3.10	1.45	3.04	1.46	2.91	1.42
	-10.0	3.50	1.40	3.33	1.36	3.17	1.32	3.10	1.30	3.04	1.28	2.91	1.25
	-5.0	3.50	1.22	3.33	1.18	3.17	1.15	3.10	1.13	3.04	1.11	2.91	1.07
	0.0	3.50	1.04	3.33	1.01	3.17	0.97	3.10	0.95	3.04	0.93	2.91	0.89
12	6.0	3.50	0.83	3.33	0.80	3.17	0.76	3.10	0.74	3.04	0.72	2.91	0.68
	10.0	3.50	0.77	3.33	0.73	3.17	0.70	3.10	0.68	3.04	0.66	2.91	0.63
	15.0	3.50	0.68	3.33	0.65	3.17	0.62	3.10	0.61	3.04	0.59	2.91	0.56
	-15.0	4.28	1.29	4.08	1.36	3.87	1.43	3.79	1.47	3.71	1.51	3.56	1.58
	-10.0	4.28	1.43	4.08	1.51	3.87	1.58	3.79	1.61	3.71	1.62	3.56	1.57
	-5.0	4.28	1.54	4.08	1.49	3.87	1.44	3.79	1.42	3.71	1.40	3.56	1.35
15	0.0	4.28	1.32	4.08	1.27	3.87	1.22	3.79	1.20	3.71	1.17	3.56	1.13
	6.0	4.28	1.05	4.08	1.00	3.87	0.95	3.79	0.93	3.71	0.91	3.56	0.86
	10.0	4.28	0.97	4.08	0.92	3.87	0.88	3.79	0.86	3.71	0.83	3.56	0.79
	15.0	4.28	0.86	4.08	0.82	3.87	0.78	3.79	0.76	3.71	0.74	3.56	0.70
	-15.0	4.35	1.30	4.32	1.38	4.29	1.45	4.28	1.49	4.26	1.53	4.24	1.60
	-10.0	5.19	1.45	5.09	1.53	4.84	1.60	4.74	1.64	4.64	1.67	4.45	1.75
18	-5.0	5.35	1.60	5.09	1.67	4.84	1.75	4.74	1.77	4.64	1.74	4.45	1.68
	0.0	5.35	1.64	5.09	1.58	4.84	1.52	4.74	1.49	4.64	1.46	4.45	1.40
	6.0	5.35	1.31	5.09	1.25	4.84	1.19	4.74	1.16	4.64	1.13	4.45	1.07
	10.0	5.35	1.20	5.09	1.15	4.84	1.09	4.74	1.07	4.64	1.04	4.45	0.98
	15.0	5.35	1.07	5.09	1.02	4.84	0.97	4.74	0.95	4.64	0.93	4.45	0.88
	-15.0	4.41	1.32	4.38	1.40	4.35	1.47	4.34	1.51	4.32	1.55	4.30	1.62
2 Units Operation	-10.0	5.27	1.47	5.23	1.55	5.20	1.62	5.19	1.66	5.18	1.70	5.15	1.77
	-5.0	6.12	1.62	6.09	1.70	5.80	1.77	5.69	1.81	5.57	1.85	5.34	1.92
	0.0	6.42	1.77	6.11	1.85	5.80	1.90	5.69	1.86	5.57	1.82	5.34	1.73
	6.0	6.42	1.63	6.11	1.56	5.80	1.48	5.69	1.45	5.57	1.41	5.34	1.33
	10.0	6.42	1.50	6.11	1.43	5.80	1.36	5.69	1.33	5.57	1.30	5.34	1.23
	15.0	6.42	1.34	6.11	1.28	5.80	1.22	5.69	1.19	5.57	1.16	5.34	1.09
5+5	-15.0	3.89	1.24	3.71	1.21	3.52	1.18	3.45	1.17	3.38	1.15	3.24	1.12
	-10.0	3.89	1.10	3.71	1.07	3.52	1.04	3.45	1.03	3.38	1.01	3.24	0.98
	-5.0	3.89	0.97	3.71	0.94	3.52	0.91	3.45	0.89	3.38	0.88	3.24	0.85
	0.0	3.89	0.83	3.71	0.80	3.52	0.77	3.45	0.75	3.38	0.74	3.24	0.71
	6.0	3.89	0.66	3.71	0.63	3.52	0.60	3.45	0.58	3.38	0.57	3.24	0.54
	10.0	3.89	0.61	3.71	0.58	3.52	0.55	3.45	0.54	3.38	0.52	3.24	0.50
5+7	15.0	3.89	0.54	3.71	0.52	3.52	0.49	3.45	0.48	3.38	0.47	3.24	0.44
	-15.0	4.31	1.29	4.28	1.37	4.22	1.44	4.14	1.48	4.05	1.51	3.88	1.59
	-10.0	4.67	1.44	4.45	1.51	4.22	1.58	4.14	1.56	4.05	1.53	3.88	1.49
	-5.0	4.67	1.46	4.45	1.41	4.22	1.37	4.14	1.35	4.05	1.32	3.88	1.28
	0.0	4.67	1.25	4.45	1.20	4.22	1.16	4.14	1.13	4.05	1.11	3.88	1.07
	6.0	4.67	0.99	4.45	0.95	4.22	0.90	4.14	0.88	4.05	0.86	3.88	0.81
5+9	10.0	4.67	0.91	4.45	0.87	4.22	0.83	4.14	0.81	4.05	0.79	3.88	0.75
	15.0	4.67	0.82	4.45	0.78	4.22	0.74	4.14	0.72	4.05	0.70	3.88	0.67
	-15.0	4.36	1.31	4.33	1.38	4.30	1.45	4.28	1.49	4.27	1.53	4.24	1.60
	-10.0	5.20	1.45	5.17	1.53	4.92	1.60	4.83	1.63	4.73	1.60	4.53	1.56
	-5.0	5.45	1.52	5.19	1.48	4.92	1.43	4.83	1.41	4.73	1.38	4.53	1.34
	0.0	5.45	1.30	5.19	1.26	4.92	1.21	4.83	1.19	4.73	1.16	4.53	1.11
7+7	6.0	5.45	1.04	5.19	0.99	4.92	0.94	4.83	0.92	4.73	0.90	4.53	0.85
	10.0	5.45	0.96	5.19	0.91	4.92	0.87	4.83	0.85	4.73	0.83	4.53	0.78
	15.0	5.45	0.85	5.19	0.81	4.92	0.77	4.83	0.76	4.73	0.74	4.53	0.70
	-15.0	4.36	1.31	4.33	1.38	4.30	1.45	4.28	1.49	4.27	1.53	4.24	1.60
	-10.0	5.20	1.45	5.17	1.53	4.92	1.60	4.83	1.63	4.73	1.60	4.53	1.56
	-5.0	5.45	1.52	5.19	1.48	4.92	1.43	4.83	1.41	4.73	1.38	4.53	1.34

5. Capacity tables

Heating Capacity [-21G-]

Combination Capacity Index (kBtu/h)	Outdoor Air Temp. (°WB)	Indoor Air Temp. (°DB)											
		16.0		18.0		20.0		21.0		22.0		24.0	
		TC	PI	TC	PI	TC	PI	TC	PI	TC	PI	TC	PI
7+9	-15.0	4.40	1.32	4.37	1.39	4.34	1.47	4.33	1.51	4.31	1.54	4.28	1.62
	-10.0	5.25	1.47	5.22	1.54	5.19	1.62	5.18	1.66	5.16	1.69	5.13	1.77
	-5.0	6.10	1.62	5.93	1.69	5.63	1.69	5.51	1.66	5.40	1.64	5.18	1.58
	0.0	6.23	1.54	5.93	1.49	5.63	1.43	5.51	1.40	5.40	1.38	5.18	1.32
	6.0	6.23	1.23	5.93	1.17	5.63	1.12	5.51	1.09	5.40	1.06	5.18	1.01
	10.0	6.23	1.13	5.93	1.08	5.63	1.03	5.51	1.00	5.40	0.98	5.18	0.93
5+12	15.0	6.23	1.01	5.93	0.96	5.63	0.92	5.51	0.89	5.40	0.87	5.18	0.83
	-15.0	4.43	1.33	4.39	1.40	4.36	1.48	4.35	1.51	4.33	1.55	4.31	1.63
	-10.0	5.28	1.48	5.25	1.55	5.22	1.63	5.20	1.67	5.19	1.70	5.16	1.78
	-5.0	6.13	1.63	6.10	1.70	5.98	1.78	5.86	1.82	5.74	1.85	5.50	1.86
	0.0	6.62	1.78	6.30	1.75	5.98	1.69	5.86	1.65	5.74	1.62	5.50	1.56
	6.0	6.62	1.45	6.30	1.38	5.98	1.32	5.86	1.29	5.74	1.25	5.50	1.19
9+9	10.0	6.62	1.33	6.30	1.27	5.98	1.21	5.86	1.18	5.74	1.15	5.50	1.09
	15.0	6.62	1.19	6.30	1.14	5.98	1.08	5.86	1.05	5.74	1.03	5.50	0.97
	-15.0	4.45	1.33	4.42	1.41	4.38	1.48	4.37	1.52	4.36	1.56	4.33	1.64
	-10.0	5.31	1.48	5.27	1.56	5.24	1.64	5.23	1.67	5.22	1.71	5.19	1.79
	-5.0	6.16	1.64	6.13	1.71	6.10	1.79	6.09	1.83	6.07	1.86	5.82	1.94
	0.0	7.01	1.79	6.67	1.86	6.33	1.83	6.20	1.79	6.08	1.76	5.82	1.69
7+12	6.0	7.01	1.57	6.67	1.50	6.33	1.43	6.20	1.39	6.08	1.36	5.82	1.29
	10.0	7.01	1.45	6.67	1.38	6.33	1.32	6.20	1.28	6.08	1.25	5.82	1.18
	15.0	7.01	1.29	6.67	1.23	6.33	1.17	6.20	1.14	6.08	1.11	5.82	1.06
	-15.0	4.47	1.36	4.44	1.43	4.41	1.51	4.39	1.55	4.38	1.59	4.35	1.67
	-10.0	5.33	1.51	5.30	1.59	5.27	1.67	5.26	1.70	5.24	1.74	5.21	1.82
	-5.0	6.20	1.67	6.16	1.74	6.13	1.82	6.12	1.86	6.10	1.90	6.08	1.97
5+15	0.0	7.06	1.82	7.03	1.90	6.68	1.97	6.55	1.93	6.42	1.88	6.15	1.78
	6.0	7.40	1.70	7.04	1.62	6.68	1.54	6.55	1.50	6.42	1.47	6.15	1.39
	10.0	7.40	1.56	7.04	1.49	6.68	1.42	6.55	1.38	6.42	1.35	6.15	1.28
	15.0	7.40	1.39	7.04	1.33	6.68	1.26	6.55	1.23	6.42	1.20	6.15	1.14
	-15.0	4.50	1.46	4.46	1.55	4.43	1.63	4.42	1.67	4.40	1.71	4.37	1.80
	-10.0	5.36	1.63	5.33	1.71	5.30	1.80	5.28	1.84	5.27	1.88	5.24	1.96
9+12	-5.0	6.23	1.80	6.20	1.88	6.17	1.96	6.15	2.00	6.14	2.04	6.11	2.13
	0.0	7.10	1.96	7.07	2.04	7.03	2.13	6.89	2.07	6.75	2.02	6.47	1.92
	6.0	7.79	1.83	7.41	1.75	7.03	1.66	6.89	1.62	6.75	1.58	6.47	1.50
	10.0	7.79	1.68	7.41	1.61	7.03	1.53	6.89	1.49	6.75	1.45	6.47	1.38
	15.0	7.79	1.50	7.41	1.43	7.03	1.36	6.89	1.33	6.75	1.29	6.47	1.23
	7.0	7.79	1.50	7.41	1.43	7.03	1.36	6.89	1.33	6.75	1.29	6.47	1.23
7+15	-15.0	4.50	1.46	4.46	1.55	4.43	1.63	4.42	1.67	4.40	1.71	4.37	1.80
	-10.0	5.36	1.63	5.33	1.71	5.30	1.80	5.28	1.84	5.27	1.88	5.24	1.96
	-5.0	6.23	1.80	6.20	1.88	6.17	1.96	6.15	2.00	6.14	2.04	6.11	2.13
	0.0	7.10	1.96	7.07	2.04	7.03	2.13	6.89	2.07	6.75	2.02	6.47	1.92
	6.0	7.79	1.83	7.41	1.75	7.03	1.66	6.89	1.62	6.75	1.58	6.47	1.50
	10.0	7.79	1.68	7.41	1.61	7.03	1.53	6.89	1.49	6.75	1.45	6.47	1.38
5+18	15.0	7.79	1.50	7.41	1.43	7.03	1.36	6.89	1.33	6.75	1.29	6.47	1.23
	-15.0	4.50	1.46	4.46	1.55	4.43	1.63	4.42	1.67	4.40	1.71	4.37	1.80
	-10.0	5.36	1.63	5.33	1.71	5.30	1.80	5.28	1.84	5.27	1.88	5.24	1.96
	-5.0	6.23	1.80	6.20	1.88	6.17	1.96	6.15	2.00	6.14	2.04	6.11	2.13
	0.0	7.10	1.96	7.07	2.04	7.03	2.13	6.89	2.07	6.75	2.02	6.47	1.92
	6.0	7.79	1.83	7.41	1.75	7.03	1.66	6.89	1.62	6.75	1.58	6.47	1.50
9+15	10.0	7.79	1.68	7.41	1.61	7.03	1.53	6.89	1.49	6.75	1.45	6.47	1.38
	15.0	7.79	1.50	7.41	1.43	7.03	1.36	6.89	1.33	6.75	1.29	6.47	1.23
	-15.0	4.50	1.46	4.46	1.55	4.43	1.63	4.42	1.67	4.40	1.71	4.37	1.80
	-10.0	5.36	1.63	5.33	1.71	5.30	1.80	5.28	1.84	5.27	1.88	5.24	1.96
	-5.0	6.23	1.80	6.20	1.88	6.17	1.96	6.15	2.00	6.14	2.04	6.11	2.13
	0.0	7.10	1.96	7.07	2.04	7.03	2.13	6.89	2.07	6.75	2.02	6.47	1.92
12+12	6.0	7.79	1.83	7.41	1.75	7.03	1.66	6.89	1.62	6.75	1.58	6.47	1.50
	10.0	7.79	1.68	7.41	1.61	7.03	1.53	6.89	1.49	6.75	1.45	6.47	1.38
	15.0	7.79	1.50	7.41	1.43	7.03	1.36	6.89	1.33	6.75	1.29	6.47	1.23
	-15.0	4.50	1.46	4.46	1.55	4.43	1.63	4.42	1.67	4.40	1.71	4.37	1.80
	-10.0	5.36	1.63	5.33	1.71	5.30	1.80	5.28	1.84	5.27	1.88	5.24	1.96
	-5.0	6.23	1.80	6.20	1.88	6.17	1.96	6.15	2.00	6.14	2.04	6.11	2.13

5. Capacity tables

Heating Capacity [-21G-]

Combination Capacity Index (kBtu/h)	Outdoor Air Temp. (°CWB)	Indoor Air Temp. (°CDB)											
		16.0		18.0		20.0		21.0		22.0		24.0	
		TC	PI	TC	PI	TC	PI	TC	PI	TC	PI	TC	PI
7+18	-15.0	4.50	1.46	4.46	1.55	4.43	1.63	4.42	1.67	4.40	1.71	4.37	1.80
	-10.0	5.36	1.63	5.33	1.71	5.30	1.80	5.28	1.84	5.27	1.88	5.24	1.96
	-5.0	6.23	1.80	6.20	1.88	6.17	1.96	6.15	2.00	6.14	2.04	6.11	2.13
	0.0	7.10	1.96	7.07	2.04	7.03	2.13	6.89	2.07	6.75	2.02	6.47	1.92
	6.0	7.79	1.83	7.41	1.75	7.03	1.66	6.89	1.62	6.75	1.58	6.47	1.50
	10.0	7.79	1.68	7.41	1.61	7.03	1.53	6.89	1.49	6.75	1.45	6.47	1.38
9+18	-15.0	4.50	1.46	4.46	1.55	4.43	1.63	4.42	1.67	4.40	1.71	4.37	1.80
	-10.0	5.36	1.63	5.33	1.71	5.30	1.80	5.28	1.84	5.27	1.88	5.24	1.96
	-5.0	6.23	1.80	6.20	1.88	6.17	1.96	6.15	2.00	6.14	2.04	6.11	2.13
	0.0	7.10	1.96	7.07	2.04	7.03	2.13	6.89	2.07	6.75	2.02	6.47	1.92
	6.0	7.79	1.83	7.41	1.75	7.03	1.66	6.89	1.62	6.75	1.58	6.47	1.50
	10.0	7.79	1.68	7.41	1.61	7.03	1.53	6.89	1.49	6.75	1.45	6.47	1.38
12+15	-15.0	4.50	1.46	4.46	1.55	4.43	1.63	4.42	1.67	4.40	1.71	4.37	1.80
	-10.0	5.36	1.63	5.33	1.71	5.30	1.80	5.28	1.84	5.27	1.88	5.24	1.96
	-5.0	6.23	1.80	6.20	1.88	6.17	1.96	6.15	2.00	6.14	2.04	6.11	2.13
	0.0	7.10	1.96	7.07	2.04	7.03	2.13	6.89	2.07	6.75	2.02	6.47	1.92
	6.0	7.79	1.83	7.41	1.75	7.03	1.66	6.89	1.62	6.75	1.58	6.47	1.50
	10.0	7.79	1.68	7.41	1.61	7.03	1.53	6.89	1.49	6.75	1.45	6.47	1.38
5+24	-15.0	4.50	1.46	4.46	1.55	4.43	1.63	4.42	1.67	4.40	1.71	4.37	1.80
	-10.0	5.36	1.63	5.33	1.71	5.30	1.80	5.28	1.84	5.27	1.88	5.24	1.96
	-5.0	6.23	1.80	6.20	1.88	6.17	1.96	6.15	2.00	6.14	2.04	6.11	2.13
	0.0	7.10	1.96	7.07	2.04	7.03	2.13	6.89	2.07	6.75	2.02	6.47	1.92
	6.0	7.79	1.83	7.41	1.75	7.03	1.66	6.89	1.62	6.75	1.58	6.47	1.50
	10.0	7.79	1.68	7.41	1.61	7.03	1.53	6.89	1.49	6.75	1.45	6.47	1.38
12+18	-15.0	4.50	1.46	4.46	1.55	4.43	1.63	4.42	1.67	4.40	1.71	4.37	1.80
	-10.0	5.36	1.63	5.33	1.71	5.30	1.80	5.28	1.84	5.27	1.88	5.24	1.96
	-5.0	6.23	1.80	6.20	1.88	6.17	1.96	6.15	2.00	6.14	2.04	6.11	2.13
	0.0	7.10	1.96	7.07	2.04	7.03	2.13	6.89	2.07	6.75	2.02	6.47	1.92
	6.0	7.79	1.83	7.41	1.75	7.03	1.66	6.89	1.62	6.75	1.58	6.47	1.50
	10.0	7.79	1.68	7.41	1.61	7.03	1.53	6.89	1.49	6.75	1.45	6.47	1.38
15+15	-15.0	4.50	1.46	4.46	1.55	4.43	1.63	4.42	1.67	4.40	1.71	4.37	1.80
	-10.0	5.36	1.63	5.33	1.71	5.30	1.80	5.28	1.84	5.27	1.88	5.24	1.96
	-5.0	6.23	1.80	6.20	1.88	6.17	1.96	6.15	2.00	6.14	2.04	6.11	2.13
	0.0	7.10	1.96	7.07	2.04	7.03	2.13	6.89	2.07	6.75	2.02	6.47	1.92
	6.0	7.79	1.83	7.41	1.75	7.03	1.66	6.89	1.62	6.75	1.58	6.47	1.50
	10.0	7.79	1.68	7.41	1.61	7.03	1.53	6.89	1.49	6.75	1.45	6.47	1.38
7+24	-15.0	4.50	1.46	4.46	1.55	4.43	1.63	4.42	1.67	4.40	1.71	4.37	1.80
	-10.0	5.36	1.63	5.33	1.71	5.30	1.80	5.28	1.84	5.27	1.88	5.24	1.96
	-5.0	6.23	1.80	6.20	1.88	6.17	1.96	6.15	2.00	6.14	2.04	6.11	2.13
	0.0	7.10	1.96	7.07	2.04	7.03	2.13	6.89	2.07	6.75	2.02	6.47	1.92
	6.0	7.79	1.83	7.41	1.75	7.03	1.66	6.89	1.62	6.75	1.58	6.47	1.50
	10.0	7.79	1.68	7.41	1.61	7.03	1.53	6.89	1.49	6.75	1.45	6.47	1.38
9+24	-15.0	4.50	1.46	4.46	1.55	4.43	1.63	4.42	1.67	4.40	1.71	4.37	1.80
	-10.0	5.36	1.63	5.33	1.71	5.30	1.80	5.28	1.84	5.27	1.88	5.24	1.96
	-5.0	6.23	1.80	6.20	1.88	6.17	1.96	6.15	2.00	6.14	2.04	6.11	2.13
	0.0	7.10	1.96	7.07	2.04	7.03	2.13	6.89	2.07	6.75	2.02	6.47	1.92
	6.0	7.79	1.83	7.41	1.75	7.03	1.66	6.89	1.62	6.75	1.58	6.47	1.50
	10.0	7.79	1.68	7.41	1.61	7.03	1.53	6.89	1.49	6.75	1.45	6.47	1.38
15+18	-15.0	4.50	1.46	4.46	1.55	4.43	1.63	4.42	1.67	4.40	1.71	4.37	1.80
	-10.0	5.36	1.63	5.33	1.71	5.30	1.80	5.28	1.84	5.27	1.88	5.24	1.96
	-5.0	6.23	1.80	6.20	1.88	6.17	1.96	6.15	2.00	6.14	2.04	6.11	2.13
	0.0	7.10	1.96	7.07	2.04	7.03	2.13	6.89	2.07	6.75	2.02	6.47	1.92
	6.0	7.79	1.83	7.41	1.75	7.03	1.66	6.89	1.62	6.75	1.58	6.47	1.50
	10.0	7.79	1.68	7.41	1.61	7.03	1.53	6.89	1.49	6.75	1.45	6.47	1.38
3 Units Operation													
5+5+5	-15.0	4.38	1.31	4.35	1.39	4.32	1.46	4.30	1.50	4.29	1.54	4.26	1.61
	-10.0	5.23	1.46	5.19	1.54	5.16	1.61	5.15	1.63	5.06	1.61	4.85	1.56
	-5.0	5.84	1.53	5.56	1.48	5.28	1.43	5.17	1.41	5.06	1.39	4.85	1.34
	0.0	5.84	1.31	5.56	1.26	5.28	1.21	5.17	1.19	5.06	1.16	4.85	1.12
	6.0	5.84	1.04	5.56	0.99	5.28	0.95	5.17	0.92	5.06	0.90	4.85	0.85
	10.0	5.84	0.96	5.56	0.91	5.28	0.87	5.17	0.85	5.06	0.83	4.85	0.78
	15.0	5.84	0.85	5.56	0.82	5.28	0.78	5.17	0.76	5.06	0.74	4.85	0.70

5. Capacity tables

Heating Capacity [-21G-]

Combination Capacity Index (kBtu/h)	Outdoor Air Temp. (°WB)	Indoor Air Temp. (°DB)											
		16.0		18.0		20.0		21.0		22.0		24.0	
		TC	PI	TC	PI	TC	PI	TC	PI	TC	PI	TC	PI
5+5+7	-15.0	4.43	1.33	4.39	1.40	4.36	1.48	4.35	1.51	4.33	1.55	4.31	1.63
	-10.0	5.28	1.48	5.25	1.55	5.22	1.63	5.20	1.67	5.19	1.70	5.16	1.78
	-5.0	6.13	1.63	6.10	1.70	5.98	1.69	5.86	1.66	5.74	1.64	5.50	1.58
	0.0	6.62	1.54	6.30	1.49	5.98	1.43	5.86	1.40	5.74	1.37	5.50	1.32
	6.0	6.62	1.23	6.30	1.17	5.98	1.12	5.86	1.09	5.74	1.06	5.50	1.01
	10.0	6.62	1.13	6.30	1.08	5.98	1.03	5.86	1.00	5.74	0.98	5.50	0.93
5+5+9	15.0	6.62	1.01	6.30	0.96	5.98	0.92	5.86	0.89	5.74	0.87	5.50	0.83
	-15.0	4.47	1.34	4.44	1.42	4.41	1.49	4.39	1.53	4.38	1.57	4.35	1.64
	-10.0	5.33	1.49	5.30	1.57	5.27	1.64	5.26	1.68	5.24	1.72	5.21	1.80
	-5.0	6.20	1.64	6.16	1.72	6.13	1.80	6.12	1.83	6.10	1.87	6.08	1.95
	0.0	7.06	1.80	7.03	1.87	6.68	1.82	6.55	1.78	6.42	1.75	6.15	1.67
	6.0	7.40	1.56	7.04	1.49	6.68	1.42	6.55	1.38	6.42	1.35	6.15	1.28
5+7+7	10.0	7.40	1.44	7.04	1.37	6.68	1.31	6.55	1.27	6.42	1.24	6.15	1.18
	15.0	7.40	1.28	7.04	1.22	6.68	1.16	6.55	1.13	6.42	1.11	6.15	1.05
	-15.0	4.47	1.34	4.44	1.42	4.41	1.49	4.39	1.53	4.38	1.57	4.35	1.64
	-10.0	5.33	1.49	5.30	1.57	5.27	1.64	5.26	1.68	5.24	1.72	5.21	1.80
	-5.0	6.20	1.64	6.16	1.72	6.13	1.80	6.12	1.83	6.10	1.87	6.08	1.95
	0.0	7.06	1.80	7.03	1.87	6.68	1.82	6.55	1.78	6.42	1.75	6.15	1.67
5+7+9	6.0	7.40	1.56	7.04	1.49	6.68	1.42	6.55	1.38	6.42	1.35	6.15	1.28
	10.0	7.40	1.44	7.04	1.37	6.68	1.31	6.55	1.27	6.42	1.24	6.15	1.18
	15.0	7.40	1.28	7.04	1.22	6.68	1.16	6.55	1.13	6.42	1.11	6.15	1.05
	-15.0	4.50	1.35	4.46	1.42	4.43	1.50	4.42	1.54	4.40	1.58	4.37	1.65
	-10.0	5.36	1.50	5.33	1.58	5.30	1.65	5.28	1.69	5.27	1.73	5.24	1.80
	-5.0	6.23	1.65	6.20	1.73	6.17	1.80	6.15	1.84	6.14	1.88	6.11	1.96
7+7+7	0.0	7.10	1.80	7.07	1.88	7.03	1.96	6.89	1.91	6.75	1.86	6.47	1.76
	6.0	7.79	1.68	7.41	1.61	7.03	1.53	6.89	1.49	6.75	1.45	6.47	1.38
	10.0	7.79	1.55	7.41	1.48	7.03	1.41	6.89	1.37	6.75	1.34	6.47	1.27
	15.0	7.79	1.38	7.41	1.32	7.03	1.25	6.89	1.22	6.75	1.19	6.47	1.13
	-15.0	4.50	1.35	4.46	1.42	4.43	1.50	4.42	1.54	4.40	1.58	4.37	1.65
	-10.0	5.36	1.50	5.33	1.58	5.30	1.65	5.28	1.69	5.27	1.73	5.24	1.80
5+5+12	-5.0	6.23	1.65	6.20	1.73	6.17	1.80	6.15	1.84	6.14	1.88	6.11	1.96
	0.0	7.10	1.80	7.07	1.88	7.03	1.96	6.89	1.91	6.75	1.86	6.47	1.76
	6.0	7.79	1.68	7.41	1.61	7.03	1.53	6.89	1.49	6.75	1.45	6.47	1.38
	10.0	7.79	1.55	7.41	1.48	7.03	1.41	6.89	1.37	6.75	1.34	6.47	1.27
	15.0	7.79	1.38	7.41	1.32	7.03	1.25	6.89	1.22	6.75	1.19	6.47	1.13
	-15.0	4.50	1.35	4.46	1.42	4.43	1.50	4.42	1.54	4.40	1.58	4.37	1.65
5+9+9	-10.0	5.36	1.50	5.33	1.58	5.30	1.65	5.28	1.69	5.27	1.73	5.24	1.80
	-5.0	6.23	1.65	6.20	1.73	6.17	1.80	6.15	1.84	6.14	1.88	6.11	1.96
	0.0	7.10	1.80	7.07	1.88	7.03	1.96	6.89	1.91	6.75	1.86	6.47	1.76
	6.0	7.79	1.68	7.41	1.61	7.03	1.53	6.89	1.49	6.75	1.45	6.47	1.38
	10.0	7.79	1.55	7.41	1.48	7.03	1.41	6.89	1.37	6.75	1.34	6.47	1.27
	15.0	7.79	1.38	7.41	1.32	7.03	1.25	6.89	1.22	6.75	1.19	6.47	1.13
7+7+9	-15.0	4.50	1.35	4.46	1.42	4.43	1.50	4.42	1.54	4.40	1.58	4.37	1.65
	-10.0	5.36	1.50	5.33	1.58	5.30	1.65	5.28	1.69	5.27	1.73	5.24	1.80
	-5.0	6.23	1.65	6.20	1.73	6.17	1.80	6.15	1.84	6.14	1.88	6.11	1.96
	0.0	7.10	1.80	7.07	1.88	7.03	1.96	6.89	1.91	6.75	1.86	6.47	1.76
	6.0	7.79	1.68	7.41	1.61	7.03	1.53	6.89	1.49	6.75	1.45	6.47	1.38
	10.0	7.79	1.55	7.41	1.48	7.03	1.41	6.89	1.37	6.75	1.34	6.47	1.27
5+7+12	15.0	7.79	1.38	7.41	1.32	7.03	1.25	6.89	1.22	6.75	1.19	6.47	1.13
	-15.0	4.50	1.35	4.46	1.42	4.43	1.50	4.42	1.54	4.40	1.58	4.37	1.65
	-10.0	5.36	1.50	5.33	1.58	5.30	1.65	5.28	1.69	5.27	1.73	5.24	1.80
	-5.0	6.23	1.65	6.20	1.73	6.17	1.80	6.15	1.84	6.14	1.88	6.11	1.96
	0.0	7.10	1.80	7.07	1.88	7.03	1.96	6.89	1.91	6.75	1.86	6.47	1.76
	6.0	7.79	1.68	7.41	1.61	7.03	1.53	6.89	1.49	6.75	1.45	6.47	1.38
5+5+15	10.0	7.79	1.55	7.41	1.48	7.03	1.41	6.89	1.37	6.75	1.34	6.47	1.27
	15.0	7.79	1.38	7.41	1.32	7.03	1.25	6.89	1.22	6.75	1.19	6.47	1.13
	-15.0	4.50	1.35	4.46	1.42	4.43	1.50	4.42	1.54	4.40	1.58	4.37	1.65
	-10.0	5.36	1.50	5.33	1.58	5.30	1.65	5.28	1.69	5.27	1.73	5.24	1.80
	-5.0	6.23	1.65	6.20	1.73	6.17	1.80	6.15	1.84	6.14	1.88	6.11	1.96
	0.0	7.10	1.80	7.07	1.88	7.03	1.96	6.89	1.91	6.75	1.86	6.47	1.76

5. Capacity tables

Heating Capacity [-21G-]

Combination Capacity Index (kBtu/h)	Outdoor Air Temp. (°CWB)	Indoor Air Temp. (°CDB)											
		16.0		18.0		20.0		21.0		22.0		24.0	
		TC	PI	TC	PI	TC	PI	TC	PI	TC	PI	TC	PI
7+9+9	-15.0	4.50	1.35	4.46	1.42	4.43	1.50	4.42	1.54	4.40	1.58	4.37	1.65
	-10.0	5.36	1.50	5.33	1.58	5.30	1.65	5.28	1.69	5.27	1.73	5.24	1.80
	-5.0	6.23	1.65	6.20	1.73	6.17	1.80	6.15	1.84	6.14	1.88	6.11	1.96
	0.0	7.10	1.80	7.07	1.88	7.03	1.96	6.89	1.91	6.75	1.86	6.47	1.76
	6.0	7.79	1.68	7.41	1.61	7.03	1.53	6.89	1.49	6.75	1.45	6.47	1.38
	10.0	7.79	1.55	7.41	1.48	7.03	1.41	6.89	1.37	6.75	1.34	6.47	1.27
5+9+12	15.0	7.79	1.38	7.41	1.32	7.03	1.25	6.89	1.22	6.75	1.19	6.47	1.13
	-15.0	4.50	1.35	4.46	1.42	4.43	1.50	4.42	1.54	4.40	1.58	4.37	1.65
	-10.0	5.36	1.50	5.33	1.58	5.30	1.65	5.28	1.69	5.27	1.73	5.24	1.80
	-5.0	6.23	1.65	6.20	1.73	6.17	1.80	6.15	1.84	6.14	1.88	6.11	1.96
	0.0	7.10	1.80	7.07	1.88	7.03	1.96	6.89	1.91	6.75	1.86	6.47	1.76
	6.0	7.79	1.68	7.41	1.61	7.03	1.53	6.89	1.49	6.75	1.45	6.47	1.38
7+7+12	10.0	7.79	1.55	7.41	1.48	7.03	1.41	6.89	1.37	6.75	1.34	6.47	1.27
	15.0	7.79	1.38	7.41	1.32	7.03	1.25	6.89	1.22	6.75	1.19	6.47	1.13
	-15.0	4.50	1.35	4.46	1.42	4.43	1.50	4.42	1.54	4.40	1.58	4.37	1.65
	-10.0	5.36	1.50	5.33	1.58	5.30	1.65	5.28	1.69	5.27	1.73	5.24	1.80
	-5.0	6.23	1.65	6.20	1.73	6.17	1.80	6.15	1.84	6.14	1.88	6.11	1.96
	0.0	7.10	1.80	7.07	1.88	7.03	1.96	6.89	1.91	6.75	1.86	6.47	1.76
5+7+15	6.0	7.79	1.68	7.41	1.61	7.03	1.53	6.89	1.49	6.75	1.45	6.47	1.38
	10.0	7.79	1.55	7.41	1.48	7.03	1.41	6.89	1.37	6.75	1.34	6.47	1.27
	15.0	7.79	1.38	7.41	1.32	7.03	1.25	6.89	1.22	6.75	1.19	6.47	1.13
	-15.0	4.50	1.35	4.46	1.42	4.43	1.50	4.42	1.54	4.40	1.58	4.37	1.65
	-10.0	5.36	1.50	5.33	1.58	5.30	1.65	5.28	1.69	5.27	1.73	5.24	1.80
	-5.0	6.23	1.65	6.20	1.73	6.17	1.80	6.15	1.84	6.14	1.88	6.11	1.96
9+9+9	0.0	7.10	1.80	7.07	1.88	7.03	1.96	6.89	1.91	6.75	1.86	6.47	1.76
	6.0	7.79	1.68	7.41	1.61	7.03	1.53	6.89	1.49	6.75	1.45	6.47	1.38
	10.0	7.79	1.55	7.41	1.48	7.03	1.41	6.89	1.37	6.75	1.34	6.47	1.27
	15.0	7.79	1.38	7.41	1.32	7.03	1.25	6.89	1.22	6.75	1.19	6.47	1.13
	-15.0	4.50	1.35	4.46	1.42	4.43	1.50	4.42	1.54	4.40	1.58	4.37	1.65
	-10.0	5.36	1.50	5.33	1.58	5.30	1.65	5.28	1.69	5.27	1.73	5.24	1.80
5+5+18	-5.0	6.23	1.65	6.20	1.73	6.17	1.80	6.15	1.84	6.14	1.88	6.11	1.96
	0.0	7.10	1.80	7.07	1.88	7.03	1.96	6.89	1.91	6.75	1.86	6.47	1.76
	6.0	7.79	1.68	7.41	1.61	7.03	1.53	6.89	1.49	6.75	1.45	6.47	1.38
	10.0	7.79	1.55	7.41	1.48	7.03	1.41	6.89	1.37	6.75	1.34	6.47	1.27
	15.0	7.79	1.38	7.41	1.32	7.03	1.25	6.89	1.22	6.75	1.19	6.47	1.13
	-15.0	4.50	1.35	4.46	1.42	4.43	1.50	4.42	1.54	4.40	1.58	4.37	1.65
7+9+12	-10.0	5.36	1.50	5.33	1.58	5.30	1.65	5.28	1.69	5.27	1.73	5.24	1.80
	-5.0	6.23	1.65	6.20	1.73	6.17	1.80	6.15	1.84	6.14	1.88	6.11	1.96
	0.0	7.10	1.80	7.07	1.88	7.03	1.96	6.89	1.91	6.75	1.86	6.47	1.76
	6.0	7.79	1.68	7.41	1.61	7.03	1.53	6.89	1.49	6.75	1.45	6.47	1.38
	10.0	7.79	1.55	7.41	1.48	7.03	1.41	6.89	1.37	6.75	1.34	6.47	1.27
	15.0	7.79	1.38	7.41	1.32	7.03	1.25	6.89	1.22	6.75	1.19	6.47	1.13
5+9+15	-15.0	4.50	1.35	4.46	1.42	4.43	1.50	4.42	1.54	4.40	1.58	4.37	1.65
	-10.0	5.36	1.50	5.33	1.58	5.30	1.65	5.28	1.69	5.27	1.73	5.24	1.80
	-5.0	6.23	1.65	6.20	1.73	6.17	1.80	6.15	1.84	6.14	1.88	6.11	1.96
	0.0	7.10	1.80	7.07	1.88	7.03	1.96	6.89	1.91	6.75	1.86	6.47	1.76
	6.0	7.79	1.68	7.41	1.61	7.03	1.53	6.89	1.49	6.75	1.45	6.47	1.38
	10.0	7.79	1.55	7.41	1.48	7.03	1.41	6.89	1.37	6.75	1.34	6.47	1.27
5+12+12	15.0	7.79	1.38	7.41	1.32	7.03	1.25	6.89	1.22	6.75	1.19	6.47	1.13
	-15.0	4.50	1.35	4.46	1.42	4.43	1.50	4.42	1.54	4.40	1.58	4.37	1.65
	-10.0	5.36	1.50	5.33	1.58	5.30	1.65	5.28	1.69	5.27	1.73	5.24	1.80
	-5.0	6.23	1.65	6.20	1.73	6.17	1.80	6.15	1.84	6.14	1.88	6.11	1.96
	0.0	7.10	1.80	7.07	1.88	7.03	1.96	6.89	1.91	6.75	1.86	6.47	1.76
	6.0	7.79	1.68	7.41	1.61	7.03	1.53	6.89	1.49	6.75	1.45	6.47	1.38
7+7+15	10.0	7.79	1.55	7.41	1.48	7.03	1.41	6.89	1.37	6.75	1.34	6.47	1.27
	15.0	7.79	1.38	7.41	1.32	7.03	1.25	6.89	1.22	6.75	1.19	6.47	1.13
	-15.0	4.50	1.35	4.46	1.42	4.43	1.50	4.42	1.54	4.40	1.58	4.37	1.65
	-10.0	5.36	1.50	5.33	1.58	5.30	1.65	5.28	1.69	5.27	1.73	5.24	1.80
	-5.0	6.23	1.65	6.20	1.73	6.17	1.80	6.15	1.84	6.14	1.88	6.11	1.96
	0.0	7.10	1.80	7.07	1.88	7.03	1.96	6.89	1.91	6.75	1.86	6.47	1.76

5. Capacity tables

Heating Capacity [-21G-]

Combination Capacity Index (kBTu/h)	Outdoor Air Temp. (°WB)	Indoor Air Temp. (°DB)											
		16.0		18.0		20.0		21.0		22.0		24.0	
		TC	PI	TC	PI	TC	PI	TC	PI	TC	PI	TC	PI
5+7+18	-15.0	4.50	1.35	4.46	1.42	4.43	1.50	4.42	1.54	4.40	1.58	4.37	1.65
	-10.0	5.36	1.50	5.33	1.58	5.30	1.65	5.28	1.69	5.27	1.73	5.24	1.80
	-5.0	6.23	1.65	6.20	1.73	6.17	1.80	6.15	1.84	6.14	1.88	6.11	1.96
	0.0	7.10	1.80	7.07	1.88	7.03	1.96	6.89	1.91	6.75	1.86	6.47	1.76
	6.0	7.79	1.68	7.41	1.61	7.03	1.53	6.89	1.49	6.75	1.45	6.47	1.38
	10.0	7.79	1.55	7.41	1.48	7.03	1.41	6.89	1.37	6.75	1.34	6.47	1.27
	15.0	7.79	1.38	7.41	1.32	7.03	1.25	6.89	1.22	6.75	1.19	6.47	1.13
9+9+12	-15.0	4.50	1.35	4.46	1.42	4.43	1.50	4.42	1.54	4.40	1.58	4.37	1.65
	-10.0	5.36	1.50	5.33	1.58	5.30	1.65	5.28	1.69	5.27	1.73	5.24	1.80
	-5.0	6.23	1.65	6.20	1.73	6.17	1.80	6.15	1.84	6.14	1.88	6.11	1.96
	0.0	7.10	1.80	7.07	1.88	7.03	1.96	6.89	1.91	6.75	1.86	6.47	1.76
	6.0	7.79	1.68	7.41	1.61	7.03	1.53	6.89	1.49	6.75	1.45	6.47	1.38
	10.0	7.79	1.55	7.41	1.48	7.03	1.41	6.89	1.37	6.75	1.34	6.47	1.27
	15.0	7.79	1.38	7.41	1.32	7.03	1.25	6.89	1.22	6.75	1.19	6.47	1.13
7+9+15	-15.0	4.50	1.35	4.46	1.42	4.43	1.50	4.42	1.54	4.40	1.58	4.37	1.65
	-10.0	5.36	1.50	5.33	1.58	5.30	1.65	5.28	1.69	5.27	1.73	5.24	1.80
	-5.0	6.23	1.65	6.20	1.73	6.17	1.80	6.15	1.84	6.14	1.88	6.11	1.96
	0.0	7.10	1.80	7.07	1.88	7.03	1.96	6.89	1.91	6.75	1.86	6.47	1.76
	6.0	7.79	1.68	7.41	1.61	7.03	1.53	6.89	1.49	6.75	1.45	6.47	1.38
	10.0	7.79	1.55	7.41	1.48	7.03	1.41	6.89	1.37	6.75	1.34	6.47	1.27
	15.0	7.79	1.38	7.41	1.32	7.03	1.25	6.89	1.22	6.75	1.19	6.47	1.13
7+12+12	-15.0	4.50	1.35	4.46	1.42	4.43	1.50	4.42	1.54	4.40	1.58	4.37	1.65
	-10.0	5.36	1.50	5.33	1.58	5.30	1.65	5.28	1.69	5.27	1.73	5.24	1.80
	-5.0	6.23	1.65	6.20	1.73	6.17	1.80	6.15	1.84	6.14	1.88	6.11	1.96
	0.0	7.10	1.80	7.07	1.88	7.03	1.96	6.89	1.91	6.75	1.86	6.47	1.76
	6.0	7.79	1.68	7.41	1.61	7.03	1.53	6.89	1.49	6.75	1.45	6.47	1.38
	10.0	7.79	1.55	7.41	1.48	7.03	1.41	6.89	1.37	6.75	1.34	6.47	1.27
	15.0	7.79	1.38	7.41	1.32	7.03	1.25	6.89	1.22	6.75	1.19	6.47	1.13
5+12+15	-15.0	4.50	1.35	4.46	1.42	4.43	1.50	4.42	1.54	4.40	1.58	4.37	1.65
	-10.0	5.36	1.50	5.33	1.58	5.30	1.65	5.28	1.69	5.27	1.73	5.24	1.80
	-5.0	6.23	1.65	6.20	1.73	6.17	1.80	6.15	1.84	6.14	1.88	6.11	1.96
	0.0	7.10	1.80	7.07	1.88	7.03	1.96	6.89	1.91	6.75	1.86	6.47	1.76
	6.0	7.79	1.68	7.41	1.61	7.03	1.53	6.89	1.49	6.75	1.45	6.47	1.38
	10.0	7.79	1.55	7.41	1.48	7.03	1.41	6.89	1.37	6.75	1.34	6.47	1.27
	15.0	7.79	1.38	7.41	1.32	7.03	1.25	6.89	1.22	6.75	1.19	6.47	1.13
5+9+18	-15.0	4.50	1.35	4.46	1.42	4.43	1.50	4.42	1.54	4.40	1.58	4.37	1.65
	-10.0	5.36	1.50	5.33	1.58	5.30	1.65	5.28	1.69	5.27	1.73	5.24	1.80
	-5.0	6.23	1.65	6.20	1.73	6.17	1.80	6.15	1.84	6.14	1.88	6.11	1.96
	0.0	7.10	1.80	7.07	1.88	7.03	1.96	6.89	1.91	6.75	1.86	6.47	1.76
	6.0	7.79	1.68	7.41	1.61	7.03	1.53	6.89	1.49	6.75	1.45	6.47	1.38
	10.0	7.79	1.55	7.41	1.48	7.03	1.41	6.89	1.37	6.75	1.34	6.47	1.27
	15.0	7.79	1.38	7.41	1.32	7.03	1.25	6.89	1.22	6.75	1.19	6.47	1.13
7+7+18	-15.0	4.50	1.35	4.46	1.42	4.43	1.50	4.42	1.54	4.40	1.58	4.37	1.65
	-10.0	5.36	1.50	5.33	1.58	5.30	1.65	5.28	1.69	5.27	1.73	5.24	1.80
	-5.0	6.23	1.65	6.20	1.73	6.17	1.80	6.15	1.84	6.14	1.88	6.11	1.96
	0.0	7.10	1.80	7.07	1.88	7.03	1.96	6.89	1.91	6.75	1.86	6.47	1.76
	6.0	7.79	1.68	7.41	1.61	7.03	1.53	6.89	1.49	6.75	1.45	6.47	1.38
	10.0	7.79	1.55	7.41	1.48	7.03	1.41	6.89	1.37	6.75	1.34	6.47	1.27
	15.0	7.79	1.38	7.41	1.32	7.03	1.25	6.89	1.22	6.75	1.19	6.47	1.13
9+9+15	-15.0	4.50	1.35	4.46	1.42	4.43	1.50	4.42	1.54	4.40	1.58	4.37	1.65
	-10.0	5.36	1.50	5.33	1.58	5.30	1.65	5.28	1.69	5.27	1.73	5.24	1.80
	-5.0	6.23	1.65	6.20	1.73	6.17	1.80	6.15	1.84	6.14	1.88	6.11	1.96
	0.0	7.10	1.80	7.07	1.88	7.03	1.96	6.89	1.91	6.75	1.86	6.47	1.76
	6.0	7.79	1.68	7.41	1.61	7.03	1.53	6.89	1.49	6.75	1.45	6.47	1.38
	10.0	7.79	1.55	7.41	1.48	7.03	1.41	6.89	1.37	6.75	1.34	6.47	1.27
	15.0	7.79	1.38	7.41	1.32	7.03	1.25	6.89	1.22	6.75	1.19	6.47	1.13
9+12+12	-15.0	4.50	1.35	4.46	1.42	4.43	1.50	4.42	1.54	4.40	1.58	4.37	1.65
	-10.0	5.36	1.50	5.33	1.58	5.30	1.65	5.28	1.69	5.27	1.73	5.24	1.80
	-5.0	6.23	1.65	6.20	1.73	6.17	1.80	6.15	1.84	6.14	1.88	6.11	1.96
	0.0	7.10	1.80	7.07	1.88	7.03	1.96	6.89	1.91	6.75	1.86	6.47	1.76
	6.0	7.79	1.68	7.41	1.61	7.03	1.53	6.89	1.49	6.75	1.45	6.47	1.38
	10.0	7.79	1.55	7.41	1.48	7.03	1.41	6.89	1.37	6.75	1.34	6.47	1.27
	15.0	7.79	1.38	7.41	1.32	7.03	1.25	6.89	1.22	6.75	1.19	6.47	1.13

Note

1. DB : Dry bulb temperature(°C), WB : Wet bulb temperature(°C)
2. TC : Total capacity(kW)
3. PI : Power Input (kW, Compressor + indoor fan motor + outdoor fan motor)
4. All capacities are net. A deduction (cooling mode) or an addition (heating mode) of Capacity due to operating heat of indoor unit motor is reflected.
5. Capacities are based on the following conditions ;
 - Interconnecting Piping Length (Both Main pipe and Branch pipe) is standard length.
 - Difference of Elevation (Outdoor ~ Indoor Unit) is 0 m.
6. Direct interpolation is permissible. Do not extrapolate.
7. Rated capacities and power inputs are based on standard temperature and piping conditions, and it can be found on specifications table. Except for rated value, the performance is not guaranteed.
8. In accordance with the test standard(or nations) and indoor unit's combinations, the rating will vary slightly.

5. Capacity tables

5.5 Z4UW24GFA1 [MU4R25 U21]

◆ Cooling Capacity

Cooling Capacity [-24G-]

Combination capacity index (kbtu/h)	Outdoor Air Temp. (°CDB)	Indoor Air Temp. (°CWB)											
		14		16		18		19		22		24	
		TC	PI	TC	PI	TC	PI	TC	PI	TC	PI	TC	PI
1 Unit Operation													
5	22	1.39	0.20	1.48	0.27	1.57	0.29	1.61	0.29	1.74	0.29	1.83	0.29
	25	1.36	0.21	1.45	0.27	1.54	0.30	1.58	0.30	1.71	0.31	1.80	0.31
	32	1.28	0.28	1.37	0.33	1.46	0.35	1.50	0.35	1.63	0.36	1.72	0.37
	35	1.25	0.31	1.34	0.36	1.43	0.37	1.47	0.36	1.60	0.38	1.69	0.39
	40	1.20	0.34	1.28	0.37	1.37	0.38	1.41	0.38	1.54	0.38	1.63	0.39
	43	1.16	0.34	1.25	0.35	1.34	0.35	1.38	0.35	1.51	0.36	1.60	0.36
7	22	1.95	0.26	2.07	0.35	2.20	0.38	2.26	0.38	2.44	0.39	2.56	0.39
	25	1.91	0.28	2.03	0.36	2.15	0.39	2.21	0.39	2.39	0.40	2.52	0.41
	32	1.80	0.37	1.92	0.44	2.04	0.46	2.10	0.46	2.29	0.47	2.41	0.48
	35	1.75	0.41	1.87	0.47	2.00	0.49	2.05	0.48	2.24	0.50	2.36	0.51
	40	1.67	0.45	1.80	0.49	1.92	0.50	1.98	0.50	2.16	0.50	2.28	0.52
	43	1.63	0.44	1.75	0.47	1.87	0.46	1.93	0.46	2.12	0.47	2.24	0.48
9	22	2.51	0.32	2.67	0.44	2.82	0.47	2.90	0.48	3.14	0.48	3.29	0.48
	25	2.45	0.34	2.61	0.45	2.76	0.48	2.84	0.49	3.08	0.50	3.23	0.50
	32	2.31	0.46	2.47	0.54	2.62	0.57	2.70	0.58	2.94	0.59	3.10	0.60
	35	2.25	0.51	2.41	0.58	2.57	0.61	2.64	0.60	2.88	0.62	3.04	0.64
	40	2.15	0.56	2.31	0.61	2.47	0.62	2.55	0.62	2.78	0.63	2.94	0.64
	43	2.09	0.55	2.25	0.58	2.41	0.58	2.49	0.58	2.72	0.58	2.88	0.60
12	22	3.34	0.45	3.55	0.60	3.76	0.65	3.87	0.66	4.18	0.67	4.39	0.67
	25	3.27	0.47	3.48	0.62	3.68	0.67	3.79	0.68	4.10	0.69	4.31	0.70
	32	3.08	0.64	3.29	0.75	3.50	0.79	3.60	0.80	3.92	0.82	4.13	0.83
	35	3.00	0.71	3.21	0.81	3.42	0.84	3.52	0.82	3.84	0.86	4.05	0.88
	40	2.87	0.78	3.08	0.84	3.29	0.85	3.39	0.85	3.71	0.87	3.92	0.89
	43	2.79	0.76	3.00	0.80	3.21	0.80	3.32	0.80	3.63	0.81	3.84	0.82
15	22	4.18	0.54	4.44	0.74	4.70	0.80	4.83	0.81	5.23	0.81	5.49	0.81
	25	4.08	0.58	4.34	0.76	4.61	0.82	4.74	0.83	5.13	0.84	5.39	0.85
	32	3.85	0.78	4.11	0.92	4.37	0.96	4.51	0.97	4.90	1.00	5.16	1.01
	35	3.75	0.87	4.01	0.98	4.28	1.02	4.40	1.00	4.80	1.05	5.06	1.07
	40	3.59	0.95	3.85	1.03	4.11	1.04	4.24	1.04	4.63	1.06	4.90	1.08
	43	3.49	0.93	3.75	0.98	4.01	0.97	4.14	0.97	4.54	0.98	4.80	1.00
18	22	5.02	0.71	5.33	0.96	5.64	1.03	5.80	1.05	6.27	1.06	6.59	1.06
	25	4.90	0.75	5.21	0.98	5.53	1.06	5.68	1.08	6.15	1.09	6.47	1.10
	32	4.62	1.01	4.94	1.19	5.25	1.25	5.41	1.26	5.88	1.29	6.19	1.32
	35	4.50	1.13	4.82	1.28	5.13	1.32	5.28	1.30	5.76	1.36	6.07	1.39
	40	4.31	1.24	4.62	1.33	4.93	1.35	5.09	1.35	5.56	1.38	5.88	1.40
	43	4.19	1.21	4.50	1.27	4.82	1.27	4.97	1.26	5.44	1.28	5.76	1.30
24	22	6.69	0.97	7.11	1.31	7.53	1.42	7.74	1.44	8.36	1.45	8.78	1.45
	25	6.53	1.03	6.95	1.35	7.37	1.45	7.58	1.47	8.21	1.50	8.62	1.51
	32	6.16	1.38	6.58	1.63	7.00	1.71	7.21	1.73	7.84	1.77	8.26	1.80
	35	6.01	1.54	6.42	1.75	6.84	1.81	7.03	1.78	7.68	1.87	8.10	1.91
	40	5.74	1.69	6.16	1.82	6.58	1.85	6.79	1.85	7.42	1.88	7.83	1.92
	43	5.58	1.66	6.00	1.74	6.42	1.73	6.63	1.73	7.26	1.75	7.68	1.79
2 Units Operation													
5+5	22	2.79	0.29	2.96	0.39	3.14	0.42	3.22	0.43	3.48	0.43	3.66	0.43
	25	2.72	0.31	2.90	0.40	3.07	0.43	3.16	0.44	3.42	0.45	3.59	0.45
	32	2.57	0.41	2.74	0.49	2.92	0.51	3.00	0.52	3.27	0.53	3.44	0.54
	35	2.50	0.46	2.68	0.52	2.85	0.54	2.93	0.53	3.20	0.56	3.37	0.57
	40	2.39	0.51	2.57	0.54	2.74	0.55	2.83	0.55	3.09	0.56	3.26	0.57
	43	2.33	0.50	2.50	0.52	2.68	0.52	2.76	0.52	3.02	0.52	3.20	0.53
5+7	22	3.34	0.36	3.55	0.49	3.76	0.53	3.87	0.54	4.18	0.54	4.39	0.54
	25	3.27	0.39	3.48	0.51	3.68	0.55	3.79	0.55	4.10	0.56	4.31	0.57
	32	3.08	0.52	3.29	0.61	3.50	0.64	3.60	0.65	3.92	0.66	4.13	0.68
	35	3.00	0.58	3.21	0.66	3.42	0.68	3.52	0.67	3.84	0.70	4.05	0.72
	40	2.87	0.64	3.08	0.68	3.29	0.69	3.39	0.70	3.71	0.71	3.92	0.72
	43	2.79	0.62	3.00	0.65	3.21	0.65	3.32	0.65	3.63	0.66	3.84	0.67
46	2.71	0.56	2.92	0.57	3.13	0.55	3.24	0.55	3.55	0.55	3.76	0.56	

5. Capacity tables

Cooling Capacity [-24G-]

Combination capacity index (kBtu/h)	Outdoor Air Temp. (°CDB)	Indoor Air Temp. (°CWB)											
		14		16		18		19		22		24	
		TC	PI	TC	PI	TC	PI	TC	PI	TC	PI	TC	PI
5+9	22	3.90	0.45	4.15	0.60	4.39	0.65	4.51	0.66	4.88	0.67	5.12	0.67
	25	3.81	0.47	4.05	0.62	4.30	0.67	4.42	0.68	4.79	0.69	5.03	0.70
	32	3.60	0.64	3.84	0.75	4.08	0.79	4.21	0.80	4.57	0.82	4.82	0.83
	35	3.50	0.71	3.75	0.81	3.99	0.84	4.10	0.82	4.48	0.86	4.72	0.88
	40	3.35	0.78	3.59	0.84	3.84	0.85	3.96	0.85	4.33	0.87	4.57	0.89
	43	3.26	0.76	3.50	0.80	3.75	0.80	3.87	0.80	4.23	0.80	4.48	0.82
7+7	22	3.90	0.45	4.15	0.60	4.39	0.65	4.51	0.66	4.88	0.67	5.12	0.67
	25	3.81	0.47	4.05	0.62	4.30	0.67	4.42	0.68	4.79	0.69	5.03	0.70
	32	3.60	0.64	3.84	0.75	4.08	0.79	4.21	0.80	4.57	0.82	4.82	0.83
	35	3.50	0.71	3.75	0.81	3.99	0.84	4.10	0.82	4.48	0.86	4.72	0.88
	40	3.35	0.78	3.59	0.84	3.84	0.85	3.96	0.85	4.33	0.87	4.57	0.89
	43	3.26	0.76	3.50	0.80	3.75	0.80	3.87	0.80	4.23	0.80	4.48	0.82
7+9	22	4.46	0.54	4.74	0.73	5.02	0.79	5.16	0.80	5.58	0.80	5.85	0.80
	25	4.35	0.57	4.63	0.75	4.91	0.81	5.05	0.82	5.47	0.83	5.75	0.84
	32	4.11	0.77	4.39	0.91	4.67	0.95	4.81	0.96	5.22	0.98	5.50	1.00
	35	4.00	0.86	4.28	0.97	4.56	1.01	4.69	0.99	5.12	1.04	5.40	1.06
	40	3.83	0.94	4.11	1.01	4.39	1.03	4.53	1.03	4.94	1.05	5.22	1.07
	43	3.72	0.92	4.00	0.96	4.28	0.96	4.42	0.96	4.84	0.97	5.12	0.99
5+12	22	4.74	0.59	5.03	0.79	5.33	0.86	5.48	0.87	5.92	0.88	6.22	0.88
	25	4.63	0.63	4.92	0.82	5.22	0.88	5.37	0.90	5.81	0.91	6.11	0.92
	32	4.37	0.84	4.66	0.99	4.96	1.04	5.11	1.05	5.55	1.08	5.85	1.10
	35	4.25	0.94	4.55	1.06	4.85	1.10	4.98	1.08	5.44	1.14	5.74	1.16
	40	4.07	1.03	4.36	1.11	4.66	1.12	4.81	1.13	5.25	1.14	5.55	1.17
	43	3.96	1.01	4.25	1.05	4.55	1.05	4.70	1.05	5.14	1.06	5.44	1.08
9+9	22	5.02	0.64	5.33	0.87	5.64	0.94	5.80	0.95	6.27	0.96	6.59	0.96
	25	4.90	0.68	5.21	0.89	5.53	0.96	5.68	0.98	6.15	0.99	6.47	1.00
	32	4.62	0.92	4.94	1.08	5.25	1.13	5.41	1.15	5.88	1.17	6.19	1.19
	35	4.50	1.02	4.82	1.16	5.13	1.20	5.28	1.18	5.76	1.24	6.07	1.26
	40	4.31	1.12	4.62	1.21	4.93	1.23	5.09	1.23	5.56	1.25	5.88	1.27
	43	4.19	1.10	4.50	1.15	4.82	1.15	4.97	1.15	5.44	1.16	5.76	1.18
7+12	22	5.30	0.70	5.63	0.95	5.96	1.02	6.12	1.04	6.62	1.05	6.95	1.05
	25	5.17	0.74	5.50	0.97	5.83	1.05	6.00	1.07	6.50	1.08	6.83	1.09
	32	4.88	1.00	5.21	1.18	5.54	1.24	5.71	1.25	6.20	1.28	6.54	1.30
	35	4.75	1.11	5.09	1.27	5.42	1.31	5.57	1.29	6.08	1.35	6.41	1.38
	40	4.55	1.22	4.88	1.32	5.21	1.34	5.37	1.34	5.87	1.36	6.20	1.39
	43	4.42	1.20	4.75	1.26	5.08	1.25	5.25	1.25	5.75	1.26	6.08	1.29
5+15	22	5.57	0.76	5.92	1.03	6.27	1.12	6.45	1.13	6.97	1.14	7.32	1.14
	25	5.44	0.81	5.79	1.06	6.14	1.14	6.31	1.16	6.84	1.18	7.19	1.19
	32	5.14	1.09	5.48	1.28	5.83	1.35	6.01	1.36	6.53	1.40	6.88	1.42
	35	5.00	1.22	5.35	1.38	5.70	1.43	5.86	1.41	6.40	1.47	6.75	1.50
	40	4.79	1.33	5.13	1.44	5.48	1.46	5.66	1.46	6.18	1.48	6.53	1.52
	43	4.65	1.31	5.00	1.37	5.35	1.37	5.53	1.36	6.05	1.38	6.40	1.41
9+12	22	5.85	0.83	6.22	1.12	6.59	1.22	6.77	1.23	7.32	1.24	7.68	1.24
	25	5.72	0.88	6.08	1.16	6.45	1.25	6.63	1.26	7.18	1.29	7.55	1.30
	32	5.39	1.19	5.76	1.40	6.12	1.47	6.31	1.48	6.86	1.52	7.22	1.55
	35	5.25	1.32	5.62	1.50	5.99	1.56	6.15	1.53	6.72	1.60	7.09	1.64
	40	5.02	1.45	5.39	1.56	5.76	1.59	5.94	1.59	6.49	1.62	6.85	1.65
	43	4.89	1.42	5.25	1.49	5.62	1.49	5.80	1.48	6.35	1.50	6.72	1.53
7+15	22	6.13	0.89	6.52	1.20	6.90	1.30	7.09	1.32	7.67	1.33	8.05	1.33
	25	5.99	0.95	6.37	1.24	6.75	1.33	6.95	1.35	7.52	1.38	7.90	1.39
	32	5.65	1.27	6.03	1.50	6.42	1.57	6.61	1.59	7.18	1.63	7.57	1.66
	35	5.50	1.42	5.89	1.61	6.27	1.67	6.45	1.64	7.04	1.72	7.42	1.75
	40	5.26	1.56	5.65	1.68	6.03	1.70	6.22	1.70	6.80	1.73	7.18	1.77
	43	5.12	1.52	5.50	1.59	5.89	1.59	6.08	1.59	6.65	1.60	7.04	1.64
5+18	22	6.41	0.95	6.81	1.29	7.21	1.39	7.41	1.41	8.01	1.42	8.42	1.42
	25	6.26	1.01	6.66	1.32	7.06	1.43	7.26	1.45	7.86	1.47	8.26	1.49
	32	5.91	1.36	6.31	1.60	6.71	1.68	6.91	1.70	7.51	1.74	7.91	1.77
	35	5.76	1.51	6.16	1.72	6.56	1.78	6.74	1.75	7.36	1.84	7.76	1.87
	40	5.50	1.66	5.90	1.79	6.30	1.82	6.51	1.82	7.11	1.85	7.51	1.89
	43	5.35	1.63	5.75	1.71	6.15	1.70	6.35	1.70	6.96	1.72	7.36	1.75
5+18	22	6.41	0.95	6.81	1.29	7.21	1.39	7.41	1.41	8.01	1.42	8.42	1.42
	25	6.26	1.01	6.66	1.32	7.06	1.43	7.26	1.45	7.86	1.47	8.26	1.49
	32	5.91	1.36	6.31	1.60	6.71	1.68	6.91	1.70	7.51	1.74	7.91	1.77
	35	5.76	1.51	6.16	1.72	6.56	1.78	6.74	1.75	7.36	1.84	7.76	1.87
	40	5.50	1.66	5.90	1.79	6.30	1.82	6.51	1.82	7.11	1.85	7.51	1.89
	43	5.35	1.63	5.75	1.71	6.15	1.70	6.35	1.70	6.96	1.72	7.36	1.75
5+18	22	6.41	0.95	6.81	1.29	7.21	1.39	7.41	1.41	8.01	1.42	8.42	1.42
	25	6.26	1.01	6.66	1.32	7.06	1.43	7.26	1.45	7.86	1.47	8.26	1.49
	32	5.91	1.36	6.31	1.60	6.71	1.68	6.91	1.70	7.51	1.74	7.91	1.77
	35	5.76	1.51	6.16	1.72	6.56	1.78	6.74	1.75	7.36	1.84	7.76	1.87
	40	5.50	1.66	5.90	1.79	6.30	1.82	6.51	1.82	7.11	1.85	7.51	1.89
	43	5.35	1.63	5.75	1.71	6.15	1.70	6.35	1.70	6.96	1.72	7.36	1.75
5+18	22	6.41	0.95	6.81	1.29	7.21	1.39	7.41	1.41	8.01	1.42	8.42	1.42
	25	6.26	1.01	6.66	1.32	7.06	1.43	7.26	1.45	7.86	1.47	8.26	1.49
	32	5.91	1.36	6.31	1.60	6.71	1.68	6.91	1.70	7.51	1.74	7.91	1.77
	35	5.76	1.51	6.16	1.72	6.56	1.78	6.74	1.75	7.36	1.84	7.76	1.87
	40	5.50	1.66	5.90	1.79	6.30	1.82	6.51	1.82	7.11	1.85	7.51	1.89
	43	5.35	1.63	5.75	1.71	6.15	1.70	6.35	1.70	6.96	1.72	7.36	1.75
5+18	22	6.41	0.95	6.81	1.29	7.21	1.39	7.41	1.41	8.01	1.42	8.42	1.42
	25	6.26	1.01	6.66	1.32	7.06	1.43	7.26	1.45	7.86	1.47	8.26	1.49
	32	5.91	1.36	6.31	1.60	6.71	1.68	6.91	1.70	7.51	1.74	7.91	1.77
	35	5.76	1.51	6.16	1.72	6.56	1.78	6.74	1.75	7.36	1.84	7.76	1.87
	40	5.50	1.66	5.90	1.79	6.30	1.82	6.51	1.82	7.11	1.85	7.51	1.89
	43	5.35	1.63	5.75	1.71	6.15	1.70	6.35	1.70	6.96	1.72	7.36	1.75

5. Capacity tables

Cooling Capacity [-24G-]

Combination capacity index (kBtu/h)	Outdoor Air Temp. (°CDB)	Indoor Air Temp. (°CWB)											
		14		16		18		19		22		24	
		TC	PI	TC	PI	TC	PI	TC	PI	TC	PI	TC	PI
15+18	22	6.69	1.02	7.11	1.37	7.53	1.49	7.74	1.51	8.36	1.52	8.78	1.52
	25	6.53	1.08	6.95	1.41	7.37	1.52	7.58	1.55	8.21	1.57	8.62	1.59
	32	6.16	1.45	6.58	1.71	7.00	1.79	7.21	1.81	7.84	1.86	8.26	1.89
	35	6.01	1.62	6.42	1.84	6.84	1.90	7.03	1.87	7.68	1.96	8.10	2.00
	40	5.74	1.78	6.16	1.91	6.58	1.94	6.79	1.95	7.42	1.98	7.83	2.02
	43	5.58	1.74	6.00	1.82	6.42	1.82	6.63	1.81	7.26	1.83	7.68	1.87
	46	5.43	1.56	5.84	1.58	6.26	1.54	6.47	1.53	7.10	1.53	7.52	1.57
18+18	22	6.69	1.02	7.11	1.37	7.53	1.49	7.74	1.51	8.36	1.52	8.78	1.52
	25	6.53	1.08	6.95	1.41	7.37	1.52	7.58	1.55	8.21	1.57	8.62	1.59
	32	6.16	1.45	6.58	1.71	7.00	1.79	7.21	1.81	7.84	1.86	8.26	1.89
	35	6.01	1.62	6.42	1.84	6.84	1.90	7.03	1.87	7.68	1.96	8.10	2.00
	40	5.74	1.78	6.16	1.91	6.58	1.94	6.79	1.95	7.42	1.98	7.83	2.02
	43	5.58	1.74	6.00	1.82	6.42	1.82	6.63	1.81	7.26	1.83	7.68	1.87
	46	5.43	1.56	5.84	1.58	6.26	1.54	6.47	1.53	7.10	1.53	7.52	1.57
12+24	22	6.69	1.02	7.11	1.37	7.53	1.49	7.74	1.51	8.36	1.52	8.78	1.52
	25	6.53	1.08	6.95	1.41	7.37	1.52	7.58	1.55	8.21	1.57	8.62	1.59
	32	6.16	1.45	6.58	1.71	7.00	1.79	7.21	1.81	7.84	1.86	8.26	1.89
	35	6.01	1.62	6.42	1.84	6.84	1.90	7.03	1.87	7.68	1.96	8.10	2.00
	40	5.74	1.78	6.16	1.91	6.58	1.94	6.79	1.95	7.42	1.98	7.83	2.02
	43	5.58	1.74	6.00	1.82	6.42	1.82	6.63	1.81	7.26	1.83	7.68	1.87
	46	5.43	1.56	5.84	1.58	6.26	1.54	6.47	1.53	7.10	1.53	7.52	1.57
15+24	22	6.69	1.02	7.11	1.37	7.53	1.49	7.74	1.51	8.36	1.52	8.78	1.52
	25	6.53	1.08	6.95	1.41	7.37	1.52	7.58	1.55	8.21	1.57	8.62	1.59
	32	6.16	1.45	6.58	1.71	7.00	1.79	7.21	1.81	7.84	1.86	8.26	1.89
	35	6.01	1.62	6.42	1.84	6.84	1.90	7.03	1.87	7.68	1.96	8.10	2.00
	40	5.74	1.78	6.16	1.91	6.58	1.94	6.79	1.95	7.42	1.98	7.83	2.02
	43	5.58	1.74	6.00	1.82	6.42	1.82	6.63	1.81	7.26	1.83	7.68	1.87
	46	5.43	1.56	5.84	1.58	6.26	1.54	6.47	1.53	7.10	1.53	7.52	1.57
3 Units Operation													
5+5+5	22	4.18	0.45	4.44	0.61	4.70	0.67	4.83	0.67	5.23	0.68	5.49	0.68
	25	4.08	0.48	4.34	0.63	4.61	0.68	4.74	0.69	5.13	0.70	5.39	0.71
	32	3.85	0.65	4.11	0.76	4.37	0.80	4.51	0.81	4.90	0.83	5.16	0.85
	35	3.75	0.72	4.01	0.82	4.28	0.85	4.40	0.84	4.80	0.88	5.06	0.90
	40	3.59	0.79	3.85	0.86	4.11	0.87	4.24	0.87	4.63	0.88	4.90	0.90
	43	3.49	0.78	3.75	0.81	4.01	0.81	4.14	0.81	4.54	0.82	4.80	0.84
	46	3.39	0.70	3.65	0.71	3.91	0.69	4.05	0.68	4.44	0.68	4.70	0.70
5+5+7	22	4.74	0.55	5.03	0.74	5.33	0.81	5.48	0.82	5.92	0.82	6.22	0.82
	25	4.63	0.58	4.92	0.77	5.22	0.83	5.37	0.84	5.81	0.85	6.11	0.86
	32	4.37	0.79	4.66	0.93	4.96	0.97	5.11	0.98	5.55	1.01	5.85	1.02
	35	4.25	0.88	4.55	0.99	4.85	1.03	4.98	1.01	5.44	1.06	5.74	1.08
	40	4.07	0.96	4.36	1.04	4.66	1.05	4.81	1.05	5.25	1.07	5.55	1.09
	43	3.96	0.94	4.25	0.99	4.55	0.98	4.70	0.98	5.14	0.99	5.44	1.01
	46	3.84	0.85	4.14	0.86	4.44	0.84	4.58	0.83	5.03	0.83	5.33	0.85
5+5+9	22	5.30	0.66	5.63	0.89	5.96	0.96	6.12	0.98	6.62	0.98	6.95	0.98
	25	5.17	0.70	5.50	0.92	5.83	0.99	6.00	1.00	6.50	1.02	6.83	1.03
	32	4.88	0.94	5.21	1.11	5.54	1.16	5.71	1.18	6.20	1.20	6.54	1.23
	35	4.75	1.05	5.09	1.19	5.42	1.23	5.57	1.21	6.08	1.27	6.41	1.30
	40	4.55	1.15	4.88	1.24	5.21	1.26	5.37	1.26	5.87	1.28	6.20	1.31
	43	4.42	1.13	4.75	1.18	5.08	1.18	5.25	1.18	5.75	1.19	6.08	1.21
	46	4.30	1.01	4.63	1.02	4.96	1.00	5.12	0.99	5.62	0.99	5.95	1.01
5+7+7	22	5.30	0.66	5.63	0.89	5.96	0.96	6.12	0.98	6.62	0.98	6.95	0.98
	25	5.17	0.70	5.50	0.92	5.83	0.99	6.00	1.00	6.50	1.02	6.83	1.03
	32	4.88	0.94	5.21	1.11	5.54	1.16	5.71	1.18	6.20	1.20	6.54	1.23
	35	4.75	1.05	5.09	1.19	5.42	1.23	5.57	1.21	6.08	1.27	6.41	1.30
	40	4.55	1.15	4.88	1.24	5.21	1.26	5.37	1.26	5.87	1.28	6.20	1.31
	43	4.42	1.13	4.75	1.18	5.08	1.18	5.25	1.18	5.75	1.19	6.08	1.21
	46	4.30	1.01	4.63	1.02	4.96	1.00	5.12	0.99	5.62	0.99	5.95	1.01
5+7+9	22	5.85	0.78	6.22	1.06	6.59	1.14	6.77	1.16	7.32	1.17	7.68	1.17
	25	5.72	0.83	6.08	1.09	6.45	1.17	6.63	1.19	7.18	1.21	7.55	1.22
	32	5.39	1.11	5.76	1.31	6.12	1.38	6.31	1.39	6.86	1.43	7.22	1.45
	35	5.25	1.24	5.62	1.41	5.99	1.46	6.15	1.44	6.72	1.51	7.09	1.54
	40	5.02	1.37	5.39	1.47	5.76	1.49	5.94	1.50	6.49	1.52	6.85	1.55
	43	4.89	1.34	5.25	1.40	5.62	1.40	5.80	1.39	6.35	1.41	6.72	1.44
	46	4.75	1.20	5.11	1.21	5.48	1.19	5.66	1.18	6.21	1.18	6.58	1.20
7+7+7	22	5.85	0.78	6.22	1.06	6.59	1.14	6.77	1.16	7.32	1.17	7.68	1.17
	25	5.72	0.83	6.08	1.09	6.45	1.17	6.63	1.19	7.18	1.21	7.55	1.22
	32	5.39	1.11	5.76	1.31	6.12	1.38	6.31	1.39	6.86	1.43	7.22	1.45
	35	5.25	1.24	5.62	1.41	5.99	1.46	6.15	1.44	6.72	1.51	7.09	1.54
	40	5.02	1.37	5.39	1.47	5.76	1.49	5.94	1.50	6.49	1.52	6.85	1.55
	43	4.89	1.34	5.25	1.40	5.62	1.40	5.80	1.39	6.35	1.41	6.72	1.44
	46	4.75	1.20	5.11	1.21	5.48	1.19	5.66	1.18	6.21	1.18	6.58	1.20

5. Capacity tables

Cooling Capacity [-24G-]

Combination capacity index (kBTU/h)	Outdoor Air Temp. (°CDB)	Indoor Air Temp. (°CWB)											
		14		16		18		19		22		24	
		TC	PI	TC	PI	TC	PI	TC	PI	TC	PI	TC	PI
5+5+12	22	6.13	0.84	6.52	1.13	6.90	1.22	7.09	1.24	7.67	1.25	8.05	1.25
	25	5.99	0.89	6.37	1.16	6.75	1.25	6.95	1.27	7.52	1.29	7.90	1.31
	32	5.65	1.19	6.03	1.41	6.42	1.48	6.61	1.49	7.18	1.53	7.57	1.56
	35	5.50	1.33	5.89	1.51	6.27	1.57	6.45	1.54	7.04	1.61	7.42	1.65
	40	5.26	1.46	5.65	1.58	6.03	1.60	6.22	1.60	6.80	1.63	7.18	1.66
	43	5.12	1.43	5.50	1.50	5.89	1.50	6.08	1.49	6.65	1.51	7.04	1.54
	46	4.97	1.29	5.36	1.30	5.74	1.27	5.93	1.26	6.51	1.26	6.89	1.29
5+9+9	22	6.41	0.89	6.81	1.21	7.21	1.31	7.41	1.33	8.01	1.34	8.42	1.34
	25	6.26	0.95	6.66	1.24	7.06	1.34	7.26	1.36	7.86	1.38	8.26	1.40
	32	5.91	1.28	6.31	1.50	6.71	1.58	6.91	1.60	7.51	1.63	7.91	1.67
	35	5.76	1.42	6.16	1.62	6.56	1.68	6.74	1.65	7.36	1.73	7.76	1.76
	40	5.50	1.56	5.90	1.68	6.30	1.71	6.51	1.71	7.11	1.74	7.51	1.78
	43	5.35	1.53	5.75	1.60	6.15	1.60	6.35	1.60	6.96	1.61	7.36	1.65
	46	5.20	1.37	5.60	1.39	6.00	1.36	6.20	1.35	6.80	1.35	7.20	1.38
7+7+9	22	6.41	0.89	6.81	1.21	7.21	1.31	7.41	1.33	8.01	1.34	8.42	1.34
	25	6.26	0.95	6.66	1.24	7.06	1.34	7.26	1.36	7.86	1.38	8.26	1.40
	32	5.91	1.28	6.31	1.50	6.71	1.58	6.91	1.60	7.51	1.63	7.91	1.67
	35	5.76	1.42	6.16	1.62	6.56	1.68	6.74	1.65	7.36	1.73	7.76	1.76
	40	5.50	1.56	5.90	1.68	6.30	1.71	6.51	1.71	7.11	1.74	7.51	1.78
	43	5.35	1.53	5.75	1.60	6.15	1.60	6.35	1.60	6.96	1.61	7.36	1.65
	46	5.20	1.37	5.60	1.39	6.00	1.36	6.20	1.35	6.80	1.35	7.20	1.38
5+7+12	22	6.69	0.96	7.11	1.29	7.53	1.40	7.74	1.42	8.36	1.43	8.78	1.43
	25	6.53	1.01	6.95	1.33	7.37	1.43	7.58	1.45	8.21	1.48	8.62	1.49
	32	6.16	1.36	6.58	1.61	7.00	1.69	7.21	1.71	7.84	1.75	8.26	1.78
	35	6.01	1.52	6.42	1.73	6.84	1.79	7.03	1.76	7.68	1.84	8.10	1.88
	40	5.74	1.67	6.16	1.80	6.58	1.82	6.79	1.83	7.42	1.86	7.83	1.90
	43	5.58	1.64	6.00	1.71	6.42	1.71	6.63	1.71	7.26	1.72	7.68	1.76
	46	5.43	1.47	5.84	1.49	6.26	1.45	6.47	1.44	7.10	1.44	7.52	1.47
5+5+15	22	6.69	0.96	7.11	1.29	7.53	1.40	7.74	1.42	8.36	1.43	8.78	1.43
	25	6.53	1.01	6.95	1.33	7.37	1.43	7.58	1.45	8.21	1.48	8.62	1.49
	32	6.16	1.36	6.58	1.61	7.00	1.69	7.21	1.71	7.84	1.75	8.26	1.78
	35	6.01	1.52	6.42	1.73	6.84	1.79	7.03	1.76	7.68	1.84	8.10	1.88
	40	5.74	1.67	6.16	1.80	6.58	1.82	6.79	1.83	7.42	1.86	7.83	1.90
	43	5.58	1.64	6.00	1.71	6.42	1.71	6.63	1.71	7.26	1.72	7.68	1.76
	46	5.43	1.47	5.84	1.49	6.26	1.45	6.47	1.44	7.10	1.44	7.52	1.47
7+9+9	22	6.69	0.96	7.11	1.29	7.53	1.40	7.74	1.42	8.36	1.43	8.78	1.43
	25	6.53	1.01	6.95	1.33	7.37	1.43	7.58	1.45	8.21	1.48	8.62	1.49
	32	6.16	1.36	6.58	1.61	7.00	1.69	7.21	1.71	7.84	1.75	8.26	1.78
	35	6.01	1.52	6.42	1.73	6.84	1.79	7.03	1.76	7.68	1.84	8.10	1.88
	40	5.74	1.67	6.16	1.80	6.58	1.82	6.79	1.83	7.42	1.86	7.83	1.90
	43	5.58	1.64	6.00	1.71	6.42	1.71	6.63	1.71	7.26	1.72	7.68	1.76
	46	5.43	1.47	5.84	1.49	6.26	1.45	6.47	1.44	7.10	1.44	7.52	1.47
5+9+12	22	6.69	0.96	7.11	1.29	7.53	1.40	7.74	1.42	8.36	1.43	8.78	1.43
	25	6.53	1.01	6.95	1.33	7.37	1.43	7.58	1.45	8.21	1.48	8.62	1.49
	32	6.16	1.36	6.58	1.61	7.00	1.69	7.21	1.71	7.84	1.75	8.26	1.78
	35	6.01	1.52	6.42	1.73	6.84	1.79	7.03	1.76	7.68	1.84	8.10	1.88
	40	5.74	1.67	6.16	1.80	6.58	1.82	6.79	1.83	7.42	1.86	7.83	1.90
	43	5.58	1.64	6.00	1.71	6.42	1.71	6.63	1.71	7.26	1.72	7.68	1.76
	46	5.43	1.47	5.84	1.49	6.26	1.45	6.47	1.44	7.10	1.44	7.52	1.47
7+7+12	22	6.69	0.96	7.11	1.29	7.53	1.40	7.74	1.42	8.36	1.43	8.78	1.43
	25	6.53	1.01	6.95	1.33	7.37	1.43	7.58	1.45	8.21	1.48	8.62	1.49
	32	6.16	1.36	6.58	1.61	7.00	1.69	7.21	1.71	7.84	1.75	8.26	1.78
	35	6.01	1.52	6.42	1.73	6.84	1.79	7.03	1.76	7.68	1.84	8.10	1.88
	40	5.74	1.67	6.16	1.80	6.58	1.82	6.79	1.83	7.42	1.86	7.83	1.90
	43	5.58	1.64	6.00	1.71	6.42	1.71	6.63	1.71	7.26	1.72	7.68	1.76
	46	5.43	1.47	5.84	1.49	6.26	1.45	6.47	1.44	7.10	1.44	7.52	1.47
5+7+15	22	6.69	0.96	7.11	1.29	7.53	1.40	7.74	1.42	8.36	1.43	8.78	1.43
	25	6.53	1.01	6.95	1.33	7.37	1.43	7.58	1.45	8.21	1.48	8.62	1.49
	32	6.16	1.36	6.58	1.61	7.00	1.69	7.21	1.71	7.84	1.75	8.26	1.78
	35	6.01	1.52	6.42	1.73	6.84	1.79	7.03	1.76	7.68	1.84	8.10	1.88
	40	5.74	1.67	6.16	1.80	6.58	1.82	6.79	1.83	7.42	1.86	7.83	1.90
	43	5.58	1.64	6.00	1.71	6.42	1.71	6.63	1.71	7.26	1.72	7.68	1.76
	46	5.43	1.47	5.84	1.49	6.26	1.45	6.47	1.44	7.10	1.44	7.52	1.47
9+9+9	22	6.69	0.96	7.11	1.29	7.53	1.40	7.74	1.42	8.36	1.43	8.78	1.43
	25	6.53	1.01	6.95	1.33	7.37	1.43	7.58	1.45	8.21	1.48	8.62	1.49
	32	6.16	1.36	6.58	1.61	7.00	1.69	7.21	1.71	7.84	1.75	8.26	1.78
	35	6.01	1.52	6.42	1.73	6.84	1.79	7.03	1.76	7.68	1.84	8.10	1.88
	40	5.74	1.67	6.16	1.80	6.58	1.82	6.79	1.83	7.42	1.86	7.83	1.90
	43	5.58	1.64	6.00	1.71	6.42	1.71	6.63	1.71	7.26	1.72	7.68	1.76
	46	5.43	1.47	5.84	1.49	6.26	1.45	6.47	1.44	7.10	1.44	7.52	1.47

5. Capacity tables

Cooling Capacity [-24G-]

Combination capacity index (kBTu/h)	Outdoor Air Temp. (°CDB)	Indoor Air Temp. (°CWB)											
		14		16		18		19		22		24	
		TC	PI	TC	PI	TC	PI	TC	PI	TC	PI	TC	PI
12+12+15	22	6.69	0.96	7.11	1.29	7.53	1.40	7.74	1.42	8.36	1.43	8.78	1.43
	25	6.53	1.01	6.95	1.33	7.37	1.43	7.58	1.45	8.21	1.48	8.62	1.49
	32	6.16	1.36	6.58	1.61	7.00	1.69	7.21	1.71	7.84	1.75	8.26	1.78
	35	6.01	1.52	6.42	1.73	6.84	1.79	7.03	1.76	7.68	1.84	8.10	1.88
	40	5.74	1.67	6.16	1.80	6.58	1.82	6.79	1.83	7.42	1.86	7.83	1.90
	43	5.58	1.64	6.00	1.71	6.42	1.71	6.63	1.71	7.26	1.72	7.68	1.76
	46	5.43	1.47	5.84	1.49	6.26	1.45	6.47	1.44	7.10	1.44	7.52	1.47
4 Units Operation													
5+5+5+5	22	5.57	0.69	5.92	0.93	6.27	1.00	6.45	1.02	6.97	1.03	7.32	1.03
	25	5.44	0.73	5.79	0.96	6.14	1.03	6.31	1.04	6.84	1.06	7.19	1.07
	32	5.14	0.98	5.48	1.16	5.83	1.21	6.01	1.23	6.53	1.26	6.88	1.28
	35	5.00	1.09	5.35	1.24	5.70	1.29	5.86	1.26	6.40	1.33	6.75	1.35
	40	4.79	1.20	5.13	1.29	5.48	1.31	5.66	1.32	6.18	1.34	6.53	1.36
	43	4.65	1.18	5.00	1.23	5.35	1.23	5.53	1.23	6.05	1.24	6.40	1.27
	46	4.52	1.06	4.87	1.07	5.22	1.04	5.39	1.03	5.92	1.03	6.27	1.06
5+5+5+7	22	6.13	0.81	6.52	1.10	6.90	1.19	7.09	1.20	7.67	1.21	8.05	1.21
	25	5.99	0.86	6.37	1.13	6.75	1.22	6.95	1.23	7.52	1.26	7.90	1.27
	32	5.65	1.16	6.03	1.37	6.42	1.43	6.61	1.45	7.18	1.48	7.57	1.51
	35	5.50	1.29	5.89	1.47	6.27	1.52	6.45	1.49	7.04	1.57	7.42	1.60
	40	5.26	1.42	5.65	1.53	6.03	1.55	6.22	1.55	6.80	1.58	7.18	1.61
	43	5.12	1.39	5.50	1.45	5.89	1.45	6.08	1.45	6.65	1.46	7.04	1.50
	46	4.97	1.25	5.36	1.26	5.74	1.23	5.93	1.22	6.51	1.22	6.89	1.25
5+5+5+9	22	6.69	0.96	7.11	1.29	7.53	1.40	7.74	1.42	8.36	1.43	8.78	1.43
	25	6.53	1.01	6.95	1.33	7.37	1.43	7.58	1.45	8.21	1.48	8.62	1.49
	32	6.16	1.36	6.58	1.61	7.00	1.69	7.21	1.71	7.84	1.75	8.26	1.78
	35	6.01	1.52	6.42	1.73	6.84	1.79	7.03	1.76	7.68	1.84	8.10	1.88
	40	5.74	1.67	6.16	1.80	6.58	1.82	6.79	1.83	7.42	1.86	7.83	1.90
	43	5.58	1.64	6.00	1.71	6.42	1.71	6.63	1.71	7.26	1.72	7.68	1.76
	46	5.43	1.47	5.84	1.49	6.26	1.45	6.47	1.44	7.10	1.44	7.52	1.47
5+5+7+7	22	6.69	0.96	7.11	1.29	7.53	1.40	7.74	1.42	8.36	1.43	8.78	1.43
	25	6.53	1.01	6.95	1.33	7.37	1.43	7.58	1.45	8.21	1.48	8.62	1.49
	32	6.16	1.36	6.58	1.61	7.00	1.69	7.21	1.71	7.84	1.75	8.26	1.78
	35	6.01	1.52	6.42	1.73	6.84	1.79	7.03	1.76	7.68	1.84	8.10	1.88
	40	5.74	1.67	6.16	1.80	6.58	1.82	6.79	1.83	7.42	1.86	7.83	1.90
	43	5.58	1.64	6.00	1.71	6.42	1.71	6.63	1.71	7.26	1.72	7.68	1.76
	46	5.43	1.47	5.84	1.49	6.26	1.45	6.47	1.44	7.10	1.44	7.52	1.47
5+5+7+9	22	6.69	0.96	7.11	1.29	7.53	1.40	7.74	1.42	8.36	1.43	8.78	1.43
	25	6.53	1.01	6.95	1.33	7.37	1.43	7.58	1.45	8.21	1.48	8.62	1.49
	32	6.16	1.36	6.58	1.61	7.00	1.69	7.21	1.71	7.84	1.75	8.26	1.78
	35	6.01	1.52	6.42	1.73	6.84	1.79	7.03	1.76	7.68	1.84	8.10	1.88
	40	5.74	1.67	6.16	1.80	6.58	1.82	6.79	1.83	7.42	1.86	7.83	1.90
	43	5.58	1.64	6.00	1.71	6.42	1.71	6.63	1.71	7.26	1.72	7.68	1.76
	46	5.43	1.47	5.84	1.49	6.26	1.45	6.47	1.44	7.10	1.44	7.52	1.47
5+7+7+7	22	6.69	0.96	7.11	1.29	7.53	1.40	7.74	1.42	8.36	1.43	8.78	1.43
	25	6.53	1.01	6.95	1.33	7.37	1.43	7.58	1.45	8.21	1.48	8.62	1.49
	32	6.16	1.36	6.58	1.61	7.00	1.69	7.21	1.71	7.84	1.75	8.26	1.78
	35	6.01	1.52	6.42	1.73	6.84	1.79	7.03	1.76	7.68	1.84	8.10	1.88
	40	5.74	1.67	6.16	1.80	6.58	1.82	6.79	1.83	7.42	1.86	7.83	1.90
	43	5.58	1.64	6.00	1.71	6.42	1.71	6.63	1.71	7.26	1.72	7.68	1.76
	46	5.43	1.47	5.84	1.49	6.26	1.45	6.47	1.44	7.10	1.44	7.52	1.47
5+5+5+12	22	6.69	0.96	7.11	1.29	7.53	1.40	7.74	1.42	8.36	1.43	8.78	1.43
	25	6.53	1.01	6.95	1.33	7.37	1.43	7.58	1.45	8.21	1.48	8.62	1.49
	32	6.16	1.36	6.58	1.61	7.00	1.69	7.21	1.71	7.84	1.75	8.26	1.78
	35	6.01	1.52	6.42	1.73	6.84	1.79	7.03	1.76	7.68	1.84	8.10	1.88
	40	5.74	1.67	6.16	1.80	6.58	1.82	6.79	1.83	7.42	1.86	7.83	1.90
	43	5.58	1.64	6.00	1.71	6.42	1.71	6.63	1.71	7.26	1.72	7.68	1.76
	46	5.43	1.47	5.84	1.49	6.26	1.45	6.47	1.44	7.10	1.44	7.52	1.47
5+5+9+9	22	6.69	0.96	7.11	1.29	7.53	1.40	7.74	1.42	8.36	1.43	8.78	1.43
	25	6.53	1.01	6.95	1.33	7.37	1.43	7.58	1.45	8.21	1.48	8.62	1.49
	32	6.16	1.36	6.58	1.61	7.00	1.69	7.21	1.71	7.84	1.75	8.26	1.78
	35	6.01	1.52	6.42	1.73	6.84	1.79	7.03	1.76	7.68	1.84	8.10	1.88
	40	5.74	1.67	6.16	1.80	6.58	1.82	6.79	1.83	7.42	1.86	7.83	1.90
	43	5.58	1.64	6.00	1.71	6.42	1.71	6.63	1.71	7.26	1.72	7.68	1.76
	46	5.43	1.47	5.84	1.49	6.26	1.45	6.47	1.44	7.10	1.44	7.52	1.47
5+7+7+9	22	6.69	0.96	7.11	1.29	7.53	1.40	7.74	1.42	8.36	1.43	8.78	1.43
	25	6.53	1.01	6.95	1.33	7.37	1.43	7.58	1.45	8.21	1.48	8.62	1.49
	32	6.16	1.36	6.58	1.61	7.00	1.69	7.21	1.71	7.84	1.75	8.26	1.78
	35	6.01	1.52	6.42	1.73	6.84	1.79	7.03	1.76	7.68	1.84	8.10	1.88
	40	5.74	1.67	6.16	1.80	6.58	1.82	6.79	1.83	7.42	1.86	7.83	1.90
	43	5.58	1.64	6.00	1.71	6.42	1.71	6.63	1.71	7.26	1.72	7.68	1.76
	46	5.43	1.47	5.84	1.49	6.26	1.45	6.47	1.44	7.10	1.44	7.52	1.47

5. Capacity tables

Cooling Capacity [-24G-]

Combination capacity index (kBTU/h)	Outdoor Air Temp. (°CDB)	Indoor Air Temp. (°CWB)											
		14		16		18		19		22		24	
		TC	PI	TC	PI	TC	PI	TC	PI	TC	PI	TC	PI
5+5+5+18	22	6.69	0.96	7.11	1.29	7.53	1.40	7.74	1.42	8.36	1.43	8.78	1.43
	25	6.53	1.01	6.95	1.33	7.37	1.43	7.58	1.45	8.21	1.48	8.62	1.49
	32	6.16	1.36	6.58	1.61	7.00	1.69	7.21	1.71	7.84	1.75	8.26	1.78
	35	6.01	1.52	6.42	1.73	6.84	1.79	7.03	1.76	7.68	1.84	8.10	1.88
	40	5.74	1.67	6.16	1.80	6.58	1.82	6.79	1.83	7.42	1.86	7.83	1.90
	43	5.58	1.64	6.00	1.71	6.42	1.71	6.63	1.71	7.26	1.72	7.68	1.76
5+7+9+12	22	6.69	0.96	7.11	1.29	7.53	1.40	7.74	1.42	8.36	1.43	8.78	1.43
	25	6.53	1.01	6.95	1.33	7.37	1.43	7.58	1.45	8.21	1.48	8.62	1.49
	32	6.16	1.36	6.58	1.61	7.00	1.69	7.21	1.71	7.84	1.75	8.26	1.78
	35	6.01	1.52	6.42	1.73	6.84	1.79	7.03	1.76	7.68	1.84	8.10	1.88
	40	5.74	1.67	6.16	1.80	6.58	1.82	6.79	1.83	7.42	1.86	7.83	1.90
	43	5.58	1.64	6.00	1.71	6.42	1.71	6.63	1.71	7.26	1.72	7.68	1.76
7+7+7+12	22	6.69	0.96	7.11	1.29	7.53	1.40	7.74	1.42	8.36	1.43	8.78	1.43
	25	6.53	1.01	6.95	1.33	7.37	1.43	7.58	1.45	8.21	1.48	8.62	1.49
	32	6.16	1.36	6.58	1.61	7.00	1.69	7.21	1.71	7.84	1.75	8.26	1.78
	35	6.01	1.52	6.42	1.73	6.84	1.79	7.03	1.76	7.68	1.84	8.10	1.88
	40	5.74	1.67	6.16	1.80	6.58	1.82	6.79	1.83	7.42	1.86	7.83	1.90
	43	5.58	1.64	6.00	1.71	6.42	1.71	6.63	1.71	7.26	1.72	7.68	1.76
5+5+9+15	22	6.69	0.96	7.11	1.29	7.53	1.40	7.74	1.42	8.36	1.43	8.78	1.43
	25	6.53	1.01	6.95	1.33	7.37	1.43	7.58	1.45	8.21	1.48	8.62	1.49
	32	6.16	1.36	6.58	1.61	7.00	1.69	7.21	1.71	7.84	1.75	8.26	1.78
	35	6.01	1.52	6.42	1.73	6.84	1.79	7.03	1.76	7.68	1.84	8.10	1.88
	40	5.74	1.67	6.16	1.80	6.58	1.82	6.79	1.83	7.42	1.86	7.83	1.90
	43	5.58	1.64	6.00	1.71	6.42	1.71	6.63	1.71	7.26	1.72	7.68	1.76
5+5+12+12	22	6.69	0.96	7.11	1.29	7.53	1.40	7.74	1.42	8.36	1.43	8.78	1.43
	25	6.53	1.01	6.95	1.33	7.37	1.43	7.58	1.45	8.21	1.48	8.62	1.49
	32	6.16	1.36	6.58	1.61	7.00	1.69	7.21	1.71	7.84	1.75	8.26	1.78
	35	6.01	1.52	6.42	1.73	6.84	1.79	7.03	1.76	7.68	1.84	8.10	1.88
	40	5.74	1.67	6.16	1.80	6.58	1.82	6.79	1.83	7.42	1.86	7.83	1.90
	43	5.58	1.64	6.00	1.71	6.42	1.71	6.63	1.71	7.26	1.72	7.68	1.76
5+7+7+15	22	6.69	0.96	7.11	1.29	7.53	1.40	7.74	1.42	8.36	1.43	8.78	1.43
	25	6.53	1.01	6.95	1.33	7.37	1.43	7.58	1.45	8.21	1.48	8.62	1.49
	32	6.16	1.36	6.58	1.61	7.00	1.69	7.21	1.71	7.84	1.75	8.26	1.78
	35	6.01	1.52	6.42	1.73	6.84	1.79	7.03	1.76	7.68	1.84	8.10	1.88
	40	5.74	1.67	6.16	1.80	6.58	1.82	6.79	1.83	7.42	1.86	7.83	1.90
	43	5.58	1.64	6.00	1.71	6.42	1.71	6.63	1.71	7.26	1.72	7.68	1.76
7+9+9+9	22	6.69	0.96	7.11	1.29	7.53	1.40	7.74	1.42	8.36	1.43	8.78	1.43
	25	6.53	1.01	6.95	1.33	7.37	1.43	7.58	1.45	8.21	1.48	8.62	1.49
	32	6.16	1.36	6.58	1.61	7.00	1.69	7.21	1.71	7.84	1.75	8.26	1.78
	35	6.01	1.52	6.42	1.73	6.84	1.79	7.03	1.76	7.68	1.84	8.10	1.88
	40	5.74	1.67	6.16	1.80	6.58	1.82	6.79	1.83	7.42	1.86	7.83	1.90
	43	5.58	1.64	6.00	1.71	6.42	1.71	6.63	1.71	7.26	1.72	7.68	1.76
5+5+7+18	22	6.69	0.96	7.11	1.29	7.53	1.40	7.74	1.42	8.36	1.43	8.78	1.43
	25	6.53	1.01	6.95	1.33	7.37	1.43	7.58	1.45	8.21	1.48	8.62	1.49
	32	6.16	1.36	6.58	1.61	7.00	1.69	7.21	1.71	7.84	1.75	8.26	1.78
	35	6.01	1.52	6.42	1.73	6.84	1.79	7.03	1.76	7.68	1.84	8.10	1.88
	40	5.74	1.67	6.16	1.80	6.58	1.82	6.79	1.83	7.42	1.86	7.83	1.90
	43	5.58	1.64	6.00	1.71	6.42	1.71	6.63	1.71	7.26	1.72	7.68	1.76
5+9+9+12	22	6.69	0.96	7.11	1.29	7.53	1.40	7.74	1.42	8.36	1.43	8.78	1.43
	25	6.53	1.01	6.95	1.33	7.37	1.43	7.58	1.45	8.21	1.48	8.62	1.49
	32	6.16	1.36	6.58	1.61	7.00	1.69	7.21	1.71	7.84	1.75	8.26	1.78
	35	6.01	1.52	6.42	1.73	6.84	1.79	7.03	1.76	7.68	1.84	8.10	1.88
	40	5.74	1.67	6.16	1.80	6.58	1.82	6.79	1.83	7.42	1.86	7.83	1.90
	43	5.58	1.64	6.00	1.71	6.42	1.71	6.63	1.71	7.26	1.72	7.68	1.76
7+7+9+12	22	6.69	0.96	7.11	1.29	7.53	1.40	7.74	1.42	8.36	1.43	8.78	1.43
	25	6.53	1.01	6.95	1.33	7.37	1.43	7.58	1.45	8.21	1.48	8.62	1.49
	32	6.16	1.36	6.58	1.61	7.00	1.69	7.21	1.71	7.84	1.75	8.26	1.78
	35	6.01	1.52	6.42	1.73	6.84	1.79	7.03	1.76	7.68	1.84	8.10	1.88
	40	5.74	1.67	6.16	1.80	6.58	1.82	6.79	1.83	7.42	1.86	7.83	1.90
	43	5.58	1.64	6.00	1.71	6.42	1.71	6.63	1.71	7.26	1.72	7.68	1.76
7+7+9+12	22	6.69	0.96	7.11	1.29	7.53	1.40	7.74	1.42	8.36	1.43	8.78	1.43
	25	6.53	1.01	6.95	1.33	7.37	1.43	7.58	1.45	8.21	1.48	8.62	1.49
	32	6.16	1.36	6.58	1.61	7.00	1.69	7.21	1.71	7.84	1.75	8.26	1.78
	35	6.01	1.52	6.42	1.73	6.84	1.79	7.03	1.76	7.68	1.84	8.10	1.88
	40	5.74	1.67	6.16	1.80	6.58	1.82	6.79	1.83	7.42	1.86	7.83	1.90
	46	5.43	1.47	5.84	1.49	6.26	1.45	6.47	1.44	7.10	1.44	7.52	1.47

5. Capacity tables

◆ Heating Capacity

Heating Capacity [-24G-]

Combination Capacity Index (kBtu/h)	Outdoor Air Temp. (°CWB)	Indoor Air Temp. (°CDB)											
		16.0		18.0		20.0		21.0		22.0		24.0	
		TC	PI	TC	PI	TC	PI	TC	PI	TC	PI	TC	PI
1 Unit Operation													
5	-15.0	1.78	0.80	1.70	0.78	1.61	0.76	1.58	0.75	1.55	0.74	1.48	0.72
	-10.0	1.78	0.71	1.70	0.69	1.61	0.67	1.58	0.66	1.55	0.65	1.48	0.63
	-5.0	1.78	0.62	1.70	0.60	1.61	0.58	1.58	0.57	1.55	0.56	1.48	0.54
	0.0	1.78	0.53	1.70	0.51	1.61	0.49	1.58	0.48	1.55	0.47	1.48	0.45
	6.0	1.78	0.42	1.70	0.40	1.61	0.38	1.58	0.37	1.55	0.36	1.48	0.35
	10.0	1.78	0.39	1.70	0.37	1.61	0.35	1.58	0.34	1.55	0.34	1.48	0.32
7	-15.0	1.78	0.35	1.70	0.33	1.61	0.31	1.58	0.31	1.55	0.30	1.48	0.28
	-15.0	2.73	1.20	2.59	1.18	2.46	1.15	2.41	1.13	2.36	1.12	2.27	1.09
	-10.0	2.73	1.07	2.59	1.04	2.46	1.01	2.41	1.00	2.36	0.98	2.27	0.95
	-5.0	2.73	0.93	2.59	0.91	2.46	0.88	2.41	0.86	2.36	0.85	2.27	0.82
	0.0	2.73	0.80	2.59	0.77	2.46	0.74	2.41	0.73	2.36	0.71	2.27	0.68
	6.0	2.73	0.64	2.59	0.61	2.46	0.58	2.41	0.56	2.36	0.55	2.27	0.52
9	10.0	2.73	0.59	2.59	0.56	2.46	0.53	2.41	0.52	2.36	0.51	2.27	0.48
	15.0	2.73	0.52	2.59	0.50	2.46	0.47	2.41	0.46	2.36	0.45	2.27	0.43
	-15.0	3.50	1.45	3.33	1.54	3.17	1.50	3.10	1.48	3.04	1.46	2.91	1.42
	-10.0	3.50	1.40	3.33	1.36	3.17	1.32	3.10	1.30	3.04	1.28	2.91	1.25
	-5.0	3.50	1.22	3.33	1.18	3.17	1.15	3.10	1.13	3.04	1.11	2.91	1.07
	0.0	3.50	1.04	3.33	1.01	3.17	0.97	3.10	0.95	3.04	0.93	2.91	0.89
12	6.0	3.50	0.83	3.33	0.80	3.17	0.76	3.10	0.74	3.04	0.72	2.91	0.68
	10.0	3.50	0.77	3.33	0.73	3.17	0.70	3.10	0.68	3.04	0.66	2.91	0.63
	15.0	3.50	0.68	3.33	0.65	3.17	0.62	3.10	0.61	3.04	0.59	2.91	0.56
	-15.0	4.28	1.46	4.08	1.56	3.87	1.66	3.79	1.70	3.71	1.75	3.56	1.79
	-10.0	4.28	1.66	4.08	1.71	3.87	1.67	3.79	1.64	3.71	1.62	3.56	1.57
	-5.0	4.28	1.54	4.08	1.49	3.87	1.44	3.79	1.42	3.71	1.40	3.56	1.35
15	0.0	4.28	1.32	4.08	1.27	3.87	1.22	3.79	1.20	3.71	1.17	3.56	1.13
	6.0	4.28	1.05	4.08	1.00	3.87	0.95	3.79	0.93	3.71	0.91	3.56	0.86
	10.0	4.28	0.97	4.08	0.92	3.87	0.88	3.79	0.86	3.71	0.83	3.56	0.79
	15.0	4.28	0.86	4.08	0.82	3.87	0.78	3.79	0.76	3.71	0.74	3.56	0.70
	-15.0	4.73	1.48	4.69	1.58	4.66	1.68	4.64	1.73	4.63	1.77	4.45	1.87
	-10.0	5.35	1.68	5.09	1.77	4.84	1.87	4.74	1.92	4.64	1.97	4.45	1.96
18	-5.0	5.35	1.87	5.09	1.86	4.84	1.80	4.74	1.77	4.64	1.74	4.45	1.68
	0.0	5.35	1.64	5.09	1.58	4.84	1.52	4.74	1.49	4.64	1.46	4.45	1.40
	6.0	5.35	1.31	5.09	1.25	4.84	1.19	4.74	1.16	4.64	1.13	4.45	1.07
	10.0	5.35	1.20	5.09	1.15	4.84	1.09	4.74	1.07	4.64	1.04	4.45	0.98
	15.0	5.35	1.07	5.09	1.02	4.84	0.97	4.74	0.95	4.64	0.93	4.45	0.88
	-15.0	4.78	1.50	4.75	1.60	4.72	1.70	4.70	1.75	4.69	1.80	4.66	1.90
24	-10.0	5.83	1.70	5.80	1.80	5.76	1.90	5.69	1.94	5.57	1.99	5.34	2.09
	-5.0	6.42	1.90	6.11	1.99	5.80	2.09	5.69	2.14	5.57	2.17	5.34	2.10
	0.0	6.42	2.05	6.11	1.97	5.80	1.90	5.69	1.86	5.57	1.82	5.34	1.75
	6.0	6.42	1.63	6.11	1.56	5.80	1.48	5.69	1.45	5.57	1.41	5.34	1.33
	10.0	6.42	1.50	6.11	1.43	5.80	1.36	5.69	1.33	5.57	1.30	5.34	1.23
	15.0	6.42	1.34	6.11	1.28	5.80	1.22	5.69	1.19	5.57	1.16	5.34	1.09
5+5	-15.0	4.88	1.55	4.85	1.65	4.82	1.75	4.80	1.80	4.78	1.85	4.75	1.95
	-10.0	5.95	1.75	5.92	1.85	5.89	1.95	5.87	2.00	5.85	2.05	5.82	2.15
	-5.0	7.02	1.95	6.99	2.05	6.96	2.15	6.94	2.20	6.92	2.25	6.85	2.36
	0.0	8.09	2.15	7.84	2.25	7.44	2.36	7.30	2.30	7.15	2.24	6.85	2.12
	6.0	8.24	2.02	7.84	1.93	7.44	1.84	7.30	1.79	7.15	1.75	6.85	1.66
	10.0	8.24	1.86	7.84	1.78	7.44	1.69	7.30	1.65	7.15	1.61	6.85	1.52
5+7	15.0	8.24	1.66	7.84	1.58	7.44	1.51	7.30	1.47	7.15	1.43	6.85	1.36
	-15.0	3.89	1.24	3.71	1.21	3.52	1.18	3.45	1.17	3.38	1.15	3.24	1.12
	-10.0	3.89	1.10	3.71	1.07	3.52	1.04	3.45	1.03	3.38	1.01	3.24	0.98
	-5.0	3.89	0.97	3.71	0.94	3.52	0.91	3.45	0.89	3.38	0.88	3.24	0.85
	0.0	3.89	0.83	3.71	0.80	3.52	0.77	3.45	0.75	3.38	0.74	3.24	0.71
	6.0	3.89	0.66	3.71	0.63	3.52	0.60	3.45	0.58	3.38	0.57	3.24	0.54
5+9	10.0	3.89	0.61	3.71	0.58	3.52	0.55	3.45	0.54	3.38	0.52	3.24	0.50
	15.0	3.89	0.54	3.71	0.52	3.52	0.49	3.45	0.48	3.38	0.47	3.24	0.44
	-15.0	4.67	1.47	4.45	1.57	4.22	1.66	4.14	1.71	4.05	1.74	3.88	1.70
	-10.0	4.67	1.66	4.45	1.62	4.22	1.58	4.14	1.56	4.05	1.53	3.88	1.49
	-5.0	4.67	1.46	4.45	1.41	4.22	1.37	4.14	1.35	4.05	1.32	3.88	1.28
	0.0	4.67	1.25	4.45	1.20	4.22	1.16	4.14	1.13	4.05	1.11	3.88	1.07
5+9	6.0	4.67	0.99	4.45	0.95	4.22	0.90	4.14	0.88	4.05	0.86	3.88	0.81
	10.0	4.67	0.91	4.45	0.87	4.22	0.83	4.14	0.81	4.05	0.79	3.88	0.75
	15.0	4.67	0.82	4.45	0.78	4.22	0.74	4.14	0.72	4.05	0.70	3.88	0.67
	-15.0	4.73	1.49	4.70	1.58	4.66	1.68	4.65	1.73	4.63	1.78	4.53	1.78
	-10.0	5.45	1.68	5.19	1.70	4.92	1.65	4.83	1.63	4.73	1.60	4.53	1.56
	-5.0	5.45	1.52	5.19	1.48	4.92	1.43	4.83	1.41	4.73	1.38	4.53	1.34
5+9	0.0	5.45	1.30	5.19	1.26	4.92	1.21	4.83	1.19	4.73	1.16	4.53	1.11
	6.0	5.45	1.04	5.19	0.99	4.92	0.94	4.83	0.92	4.73	0.90	4.53	0.85
	10.0	5.45	0.96	5.19	0.91	4.92	0.87	4.83	0.85	4.73	0.83	4.53	0.78
	15.0	5.45	0.85	5.19	0.81	4.92	0.77	4.83	0.76	4.73	0.74	4.53	0.70

5. Capacity tables

Heating Capacity [-24G-]

Combination Capacity Index (kBtu/h)	Outdoor Air Temp. (°WB)	Indoor Air Temp. (°DB)											
		16.0		18.0		20.0		21.0		22.0		24.0	
		TC	PI	TC	PI	TC	PI	TC	PI	TC	PI	TC	PI
7+7	-15.0	4.73	1.49	4.70	1.58	4.66	1.68	4.65	1.73	4.63	1.78	4.53	1.78
	-10.0	5.45	1.68	5.19	1.70	4.92	1.65	4.83	1.63	4.73	1.60	4.53	1.56
	-5.0	5.45	1.52	5.19	1.48	4.92	1.43	4.83	1.41	4.73	1.38	4.53	1.34
	0.0	5.45	1.30	5.19	1.26	4.92	1.21	4.83	1.19	4.73	1.16	4.53	1.11
	6.0	5.45	1.04	5.19	0.99	4.92	0.94	4.83	0.92	4.73	0.90	4.53	0.85
	10.0	5.45	0.96	5.19	0.91	4.92	0.87	4.83	0.85	4.73	0.83	4.53	0.78
7+9	-15.0	4.77	1.50	4.74	1.60	4.71	1.69	4.69	1.74	4.68	1.79	4.65	1.89
	-10.0	5.82	1.69	5.79	1.79	5.63	1.89	5.51	1.92	5.40	1.90	5.18	1.84
	-5.0	6.23	1.80	5.93	1.75	5.63	1.69	5.51	1.66	5.40	1.64	5.18	1.58
	0.0	6.23	1.54	5.93	1.49	5.63	1.43	5.51	1.40	5.40	1.38	5.18	1.32
	6.0	6.23	1.23	5.93	1.17	5.63	1.12	5.51	1.09	5.40	1.06	5.18	1.01
	10.0	6.23	1.13	5.93	1.08	5.63	1.03	5.51	1.00	5.40	0.98	5.18	0.93
5+12	-15.0	4.80	1.51	4.76	1.60	4.73	1.70	4.71	1.75	4.70	1.80	4.67	1.90
	-10.0	5.85	1.70	5.81	1.80	5.78	1.90	5.76	1.95	5.74	2.00	5.50	2.10
	-5.0	6.62	1.90	6.30	2.00	5.98	2.00	5.86	1.96	5.74	1.93	5.50	1.86
	0.0	6.62	1.82	6.30	1.75	5.98	1.69	5.86	1.65	5.74	1.62	5.50	1.56
	6.0	6.62	1.45	6.30	1.38	5.98	1.32	5.86	1.29	5.74	1.25	5.50	1.19
	10.0	6.62	1.33	6.30	1.27	5.98	1.21	5.86	1.18	5.74	1.15	5.50	1.09
9+9	-15.0	4.82	1.51	4.78	1.61	4.75	1.71	4.73	1.76	4.72	1.81	4.69	1.91
	-10.0	5.87	1.71	5.84	1.81	5.80	1.91	5.79	1.96	5.77	2.01	5.74	2.11
	-5.0	6.93	1.91	6.67	2.01	6.33	2.11	6.20	2.13	6.08	2.09	5.82	2.02
	0.0	7.01	1.97	6.67	1.90	6.33	1.83	6.20	1.79	6.08	1.76	5.82	1.69
	6.0	7.01	1.57	6.67	1.50	6.33	1.43	6.20	1.39	6.08	1.36	5.82	1.29
	10.0	7.01	1.45	6.67	1.38	6.33	1.32	6.20	1.28	6.08	1.25	5.82	1.18
7+12	-15.0	4.84	1.52	4.80	1.62	4.77	1.72	4.75	1.77	4.74	1.82	4.71	1.92
	-10.0	5.90	1.72	5.86	1.82	5.83	1.92	5.81	1.97	5.80	2.02	5.77	2.12
	-5.0	6.96	1.92	6.92	2.02	6.68	2.12	6.55	2.17	6.42	2.21	6.15	2.18
	0.0	7.40	2.12	7.04	2.05	6.68	1.97	6.55	1.94	6.42	1.90	6.15	1.82
	6.0	7.40	1.70	7.04	1.62	6.68	1.54	6.55	1.50	6.42	1.47	6.15	1.39
	10.0	7.40	1.56	7.04	1.49	6.68	1.42	6.55	1.38	6.42	1.35	6.15	1.28
5+15	-15.0	4.86	1.53	4.83	1.63	4.79	1.73	4.78	1.78	4.76	1.83	4.73	1.92
	-10.0	5.92	1.73	5.89	1.83	5.86	1.92	5.84	1.97	5.82	2.02	5.79	2.12
	-5.0	6.99	1.92	6.95	2.02	6.92	2.12	6.89	2.17	6.75	2.22	6.47	2.32
	0.0	7.79	2.12	7.41	2.21	7.03	2.13	6.89	2.09	6.75	2.04	6.47	1.96
	6.0	7.79	1.83	7.41	1.75	7.03	1.66	6.89	1.62	6.75	1.58	6.47	1.50
	10.0	7.79	1.68	7.41	1.61	7.03	1.53	6.89	1.49	6.75	1.45	6.47	1.38
9+12	-15.0	4.88	1.53	4.85	1.63	4.81	1.73	4.80	1.78	4.78	1.83	4.75	1.93
	-10.0	5.95	1.73	5.92	1.83	5.88	1.93	5.87	1.98	5.85	2.03	5.82	2.13
	-5.0	7.02	1.93	6.98	2.03	6.95	2.13	6.93	2.18	6.92	2.23	6.80	2.33
	0.0	8.09	2.13	7.78	2.23	7.39	2.24	7.24	2.19	7.09	2.15	6.80	2.06
	6.0	8.18	1.92	7.78	1.84	7.39	1.75	7.24	1.71	7.09	1.66	6.80	1.57
	10.0	8.18	1.77	7.78	1.69	7.39	1.61	7.24	1.57	7.09	1.53	6.80	1.45
7+15	-15.0	4.90	1.54	4.87	1.64	4.83	1.74	4.82	1.79	4.80	1.84	4.77	1.94
	-10.0	5.98	1.74	5.94	1.84	5.91	1.94	5.89	1.99	5.88	2.04	5.84	2.14
	-5.0	7.05	1.94	7.02	2.04	6.98	2.14	6.97	2.19	6.95	2.24	6.92	2.34
	0.0	8.12	2.14	8.09	2.24	7.74	2.34	7.58	2.29	7.43	2.23	7.12	2.11
	6.0	8.57	2.02	8.15	1.92	7.74	1.83	7.58	1.79	7.43	1.74	7.12	1.65
	10.0	8.57	1.85	8.15	1.77	7.74	1.69	7.58	1.64	7.43	1.60	7.12	1.52
5+18	-15.0	4.92	1.66	4.89	1.77	4.85	1.88	4.84	1.93	4.82	1.99	4.79	2.10
	-10.0	6.00	1.88	5.97	1.99	5.93	2.10	5.92	2.15	5.90	2.20	5.87	2.31
	-5.0	7.08	2.10	7.05	2.20	7.01	2.31	7.00	2.37	6.98	2.42	6.95	2.53
	0.0	8.16	2.31	8.12	2.42	8.09	2.53	7.93	2.47	7.77	2.40	7.44	2.28
	6.0	8.95	2.18	8.52	2.08	8.09	1.98	7.93	1.93	7.77	1.88	7.44	1.78
	10.0	8.95	2.00	8.52	1.91	8.09	1.82	7.93	1.77	7.77	1.73	7.44	1.64
9+15	-15.0	4.92	1.66	4.89	1.77	4.85	1.88	4.84	1.93	4.82	1.99	4.79	2.10
	-10.0	6.00	1.88	5.97	1.99	5.93	2.10	5.92	2.15	5.90	2.20	5.87	2.31
	-5.0	7.08	2.10	7.05	2.20	7.01	2.31	7.00	2.37	6.98	2.42	6.95	2.53
	0.0	8.16	2.31	8.12	2.42	8.09	2.53	7.93	2.47	7.77	2.40	7.44	2.28
	6.0	8.95	2.18	8.52	2.08	8.09	1.98	7.93	1.93	7.77	1.88	7.44	1.78
	10.0	8.95	2.00	8.52	1.91	8.09	1.82	7.93	1.77	7.77	1.73	7.44	1.64

5. Capacity tables

Heating Capacity [-24G-]

Combination Capacity Index (kBtu/h)	Outdoor Air Temp. (°WB)	Indoor Air Temp. (°DB)											
		16.0		18.0		20.0		21.0		22.0		24.0	
		TC	PI	TC	PI	TC	PI	TC	PI	TC	PI	TC	PI
12+12	-15.0	4.92	1.66	4.89	1.77	4.85	1.88	4.84	1.93	4.82	1.99	4.79	2.10
	-10.0	6.00	1.88	5.97	1.99	5.93	2.10	5.92	2.15	5.90	2.20	5.87	2.31
	-5.0	7.08	2.10	7.05	2.20	7.01	2.31	7.00	2.37	6.98	2.42	6.95	2.53
	0.0	8.16	2.31	8.12	2.42	8.09	2.53	7.93	2.47	7.77	2.40	7.44	2.28
	6.0	8.95	2.18	8.52	2.08	8.09	1.98	7.93	1.93	7.77	1.88	7.44	1.78
	10.0	8.95	2.00	8.52	1.91	8.09	1.82	7.93	1.77	7.77	1.73	7.44	1.64
7+18	-15.0	4.92	1.66	4.89	1.77	4.85	1.88	4.84	1.93	4.82	1.99	4.79	2.10
	-10.0	6.00	1.88	5.97	1.99	5.93	2.10	5.92	2.15	5.90	2.20	5.87	2.31
	-5.0	7.08	2.10	7.05	2.20	7.01	2.31	7.00	2.37	6.98	2.42	6.95	2.53
	0.0	8.16	2.31	8.12	2.42	8.09	2.53	7.93	2.47	7.77	2.40	7.44	2.28
	6.0	8.95	2.18	8.52	2.08	8.09	1.98	7.93	1.93	7.77	1.88	7.44	1.78
	10.0	8.95	2.00	8.52	1.91	8.09	1.82	7.93	1.77	7.77	1.73	7.44	1.64
9+18	-15.0	4.92	1.66	4.89	1.77	4.85	1.88	4.84	1.93	4.82	1.99	4.79	2.10
	-10.0	6.00	1.88	5.97	1.99	5.93	2.10	5.92	2.15	5.90	2.20	5.87	2.31
	-5.0	7.08	2.10	7.05	2.20	7.01	2.31	7.00	2.37	6.98	2.42	6.95	2.53
	0.0	8.16	2.31	8.12	2.42	8.09	2.53	7.93	2.47	7.77	2.40	7.44	2.28
	6.0	8.95	2.18	8.52	2.08	8.09	1.98	7.93	1.93	7.77	1.88	7.44	1.78
	10.0	8.95	2.00	8.52	1.91	8.09	1.82	7.93	1.77	7.77	1.73	7.44	1.64
12+15	-15.0	4.92	1.66	4.89	1.77	4.85	1.88	4.84	1.93	4.82	1.99	4.79	2.10
	-10.0	6.00	1.88	5.97	1.99	5.93	2.10	5.92	2.15	5.90	2.20	5.87	2.31
	-5.0	7.08	2.10	7.05	2.20	7.01	2.31	7.00	2.37	6.98	2.42	6.95	2.53
	0.0	8.16	2.31	8.12	2.42	8.09	2.53	7.93	2.47	7.77	2.40	7.44	2.28
	6.0	8.95	2.18	8.52	2.08	8.09	1.98	7.93	1.93	7.77	1.88	7.44	1.78
	10.0	8.95	2.00	8.52	1.91	8.09	1.82	7.93	1.77	7.77	1.73	7.44	1.64
5+24	-15.0	4.92	1.66	4.89	1.77	4.85	1.88	4.84	1.93	4.82	1.99	4.79	2.10
	-10.0	6.00	1.88	5.97	1.99	5.93	2.10	5.92	2.15	5.90	2.20	5.87	2.31
	-5.0	7.08	2.10	7.05	2.20	7.01	2.31	7.00	2.37	6.98	2.42	6.95	2.53
	0.0	8.16	2.31	8.12	2.42	8.09	2.53	7.93	2.47	7.77	2.40	7.44	2.28
	6.0	8.95	2.18	8.52	2.08	8.09	1.98	7.93	1.93	7.77	1.88	7.44	1.78
	10.0	8.95	2.00	8.52	1.91	8.09	1.82	7.93	1.77	7.77	1.73	7.44	1.64
12+18	-15.0	4.92	1.66	4.89	1.77	4.85	1.88	4.84	1.93	4.82	1.99	4.79	2.10
	-10.0	6.00	1.88	5.97	1.99	5.93	2.10	5.92	2.15	5.90	2.20	5.87	2.31
	-5.0	7.08	2.10	7.05	2.20	7.01	2.31	7.00	2.37	6.98	2.42	6.95	2.53
	0.0	8.16	2.31	8.12	2.42	8.09	2.53	7.93	2.47	7.77	2.40	7.44	2.28
	6.0	8.95	2.18	8.52	2.08	8.09	1.98	7.93	1.93	7.77	1.88	7.44	1.78
	10.0	8.95	2.00	8.52	1.91	8.09	1.82	7.93	1.77	7.77	1.73	7.44	1.64
15+15	-15.0	4.92	1.66	4.89	1.77	4.85	1.88	4.84	1.93	4.82	1.99	4.79	2.10
	-10.0	6.00	1.88	5.97	1.99	5.93	2.10	5.92	2.15	5.90	2.20	5.87	2.31
	-5.0	7.08	2.10	7.05	2.20	7.01	2.31	7.00	2.37	6.98	2.42	6.95	2.53
	0.0	8.16	2.31	8.12	2.42	8.09	2.53	7.93	2.47	7.77	2.40	7.44	2.28
	6.0	8.95	2.18	8.52	2.08	8.09	1.98	7.93	1.93	7.77	1.88	7.44	1.78
	10.0	8.95	2.00	8.52	1.91	8.09	1.82	7.93	1.77	7.77	1.73	7.44	1.64
7+24	-15.0	4.92	1.66	4.89	1.77	4.85	1.88	4.84	1.93	4.82	1.99	4.79	2.10
	-10.0	6.00	1.88	5.97	1.99	5.93	2.10	5.92	2.15	5.90	2.20	5.87	2.31
	-5.0	7.08	2.10	7.05	2.20	7.01	2.31	7.00	2.37	6.98	2.42	6.95	2.53
	0.0	8.16	2.31	8.12	2.42	8.09	2.53	7.93	2.47	7.77	2.40	7.44	2.28
	6.0	8.95	2.18	8.52	2.08	8.09	1.98	7.93	1.93	7.77	1.88	7.44	1.78
	10.0	8.95	2.00	8.52	1.91	8.09	1.82	7.93	1.77	7.77	1.73	7.44	1.64
9+24	-15.0	4.92	1.66	4.89	1.77	4.85	1.88	4.84	1.93	4.82	1.99	4.79	2.10
	-10.0	6.00	1.88	5.97	1.99	5.93	2.10	5.92	2.15	5.90	2.20	5.87	2.31
	-5.0	7.08	2.10	7.05	2.20	7.01	2.31	7.00	2.37	6.98	2.42	6.95	2.53
	0.0	8.16	2.31	8.12	2.42	8.09	2.53	7.93	2.47	7.77	2.40	7.44	2.28
	6.0	8.95	2.18	8.52	2.08	8.09	1.98	7.93	1.93	7.77	1.88	7.44	1.78
	10.0	8.95	2.00	8.52	1.91	8.09	1.82	7.93	1.77	7.77	1.73	7.44	1.64
15+18	-15.0	4.92	1.66	4.89	1.77	4.85	1.88	4.84	1.93	4.82	1.99	4.79	2.10
	-10.0	6.00	1.88	5.97	1.99	5.93	2.10	5.92	2.15	5.90	2.20	5.87	2.31
	-5.0	7.08	2.10	7.05	2.20	7.01	2.31	7.00	2.37	6.98	2.42	6.95	2.53
	0.0	8.16	2.31	8.12	2.42	8.09	2.53	7.93	2.47	7.77	2.40	7.44	2.28
	6.0	8.95	2.18	8.52	2.08	8.09	1.98	7.93	1.93	7.77	1.88	7.44	1.78
	10.0	8.95	2.00	8.52	1.91	8.09	1.82	7.93	1.77	7.77	1.73	7.44	1.64

5. Capacity tables

Heating Capacity [-24G-]

Combination Capacity Index (kBtu/h)	Outdoor Air Temp. (°WB)	Indoor Air Temp. (°DB)											
		16.0		18.0		20.0		21.0		22.0		24.0	
		TC	PI	TC	PI	TC	PI	TC	PI	TC	PI	TC	PI
18+18	-15.0	4.92	1.66	4.89	1.77	4.85	1.88	4.84	1.93	4.82	1.99	4.79	2.10
	-10.0	6.00	1.88	5.97	1.99	5.93	2.10	5.92	2.15	5.90	2.20	5.87	2.31
	-5.0	7.08	2.10	7.05	2.20	7.01	2.31	7.00	2.37	6.98	2.42	6.95	2.53
	0.0	8.16	2.31	8.12	2.42	8.09	2.53	7.93	2.47	7.77	2.40	7.44	2.28
	6.0	8.95	2.18	8.52	2.08	8.09	1.98	7.93	1.93	7.77	1.88	7.44	1.78
	10.0	8.95	2.00	8.52	1.91	8.09	1.82	7.93	1.77	7.77	1.73	7.44	1.64
12+24	-15.0	4.92	1.66	4.89	1.77	4.85	1.88	4.84	1.93	4.82	1.99	4.79	2.10
	-10.0	6.00	1.88	5.97	1.99	5.93	2.10	5.92	2.15	5.90	2.20	5.87	2.31
	-5.0	7.08	2.10	7.05	2.20	7.01	2.31	7.00	2.37	6.98	2.42	6.95	2.53
	0.0	8.16	2.31	8.12	2.42	8.09	2.53	7.93	2.47	7.77	2.40	7.44	2.28
	6.0	8.95	2.18	8.52	2.08	8.09	1.98	7.93	1.93	7.77	1.88	7.44	1.78
	10.0	8.95	2.00	8.52	1.91	8.09	1.82	7.93	1.77	7.77	1.73	7.44	1.64
15+24	-15.0	4.92	1.66	4.89	1.77	4.85	1.88	4.84	1.93	4.82	1.99	4.79	2.10
	-10.0	6.00	1.88	5.97	1.99	5.93	2.10	5.92	2.15	5.90	2.20	5.87	2.31
	-5.0	7.08	2.10	7.05	2.20	7.01	2.31	7.00	2.37	6.98	2.42	6.95	2.53
	0.0	8.16	2.31	8.12	2.42	8.09	2.53	7.93	2.47	7.77	2.40	7.44	2.28
	6.0	8.95	2.18	8.52	2.08	8.09	1.98	7.93	1.93	7.77	1.88	7.44	1.78
	10.0	8.95	2.00	8.52	1.91	8.09	1.82	7.93	1.77	7.77	1.73	7.44	1.64
3 Units Operation													
5+5+5	-15.0	4.75	1.49	4.72	1.59	4.69	1.69	4.67	1.74	4.66	1.78	4.63	1.78
	-10.0	5.79	1.69	5.56	1.70	5.28	1.65	5.17	1.63	5.06	1.61	4.85	1.56
	-5.0	5.84	1.53	5.56	1.48	5.28	1.43	5.17	1.41	5.06	1.39	4.85	1.34
	0.0	5.84	1.31	5.56	1.26	5.28	1.21	5.17	1.19	5.06	1.16	4.85	1.12
	6.0	5.84	1.04	5.56	0.99	5.28	0.95	5.17	0.92	5.06	0.90	4.85	0.85
	10.0	5.84	0.96	5.56	0.91	5.28	0.87	5.17	0.85	5.06	0.83	4.85	0.78
5+5+7	-15.0	4.80	1.51	4.76	1.60	4.73	1.70	4.71	1.75	4.70	1.80	4.67	1.90
	-10.0	5.85	1.70	5.81	1.80	5.78	1.90	5.76	1.92	5.74	1.90	5.50	1.84
	-5.0	6.62	1.80	6.30	1.75	5.98	1.69	5.86	1.66	5.74	1.64	5.50	1.58
	0.0	6.62	1.54	6.30	1.49	5.98	1.43	5.86	1.40	5.74	1.37	5.50	1.32
	6.0	6.62	1.23	6.30	1.17	5.98	1.12	5.86	1.09	5.74	1.06	5.50	1.01
	10.0	6.62	1.13	6.30	1.08	5.98	1.03	5.86	1.00	5.74	0.98	5.50	0.93
5+5+9	-15.0	4.84	1.52	4.80	1.62	4.77	1.72	4.75	1.77	4.74	1.82	4.71	1.92
	-10.0	5.90	1.72	5.86	1.82	5.83	1.92	5.81	1.97	5.80	2.02	5.77	2.12
	-5.0	6.96	1.92	6.92	2.02	6.68	2.12	6.55	2.11	6.42	2.08	6.15	2.01
	0.0	7.40	1.96	7.04	1.89	6.68	1.82	6.55	1.78	6.42	1.75	6.15	1.67
	6.0	7.40	1.56	7.04	1.49	6.68	1.42	6.55	1.38	6.42	1.35	6.15	1.28
	10.0	7.40	1.44	7.04	1.37	6.68	1.31	6.55	1.27	6.42	1.24	6.15	1.18
5+7+7	-15.0	4.84	1.52	4.80	1.62	4.77	1.72	4.75	1.77	4.74	1.82	4.71	1.92
	-10.0	5.90	1.72	5.86	1.82	5.83	1.92	5.81	1.97	5.80	2.02	5.77	2.12
	-5.0	6.96	1.92	6.92	2.02	6.68	2.12	6.55	2.11	6.42	2.08	6.15	2.01
	0.0	7.40	1.96	7.04	1.89	6.68	1.82	6.55	1.78	6.42	1.75	6.15	1.67
	6.0	7.40	1.56	7.04	1.49	6.68	1.42	6.55	1.38	6.42	1.35	6.15	1.28
	10.0	7.40	1.44	7.04	1.37	6.68	1.31	6.55	1.27	6.42	1.24	6.15	1.18
5+7+9	-15.0	4.84	1.52	4.80	1.62	4.77	1.72	4.75	1.77	4.74	1.82	4.71	1.92
	-10.0	5.90	1.72	5.86	1.82	5.83	1.92	5.81	1.97	5.80	2.02	5.77	2.12
	-5.0	6.96	1.92	6.92	2.02	6.68	2.12	6.55	2.11	6.42	2.08	6.15	2.01
	0.0	7.40	1.96	7.04	1.89	6.68	1.82	6.55	1.78	6.42	1.75	6.15	1.67
	6.0	7.40	1.56	7.04	1.49	6.68	1.42	6.55	1.38	6.42	1.35	6.15	1.28
	10.0	7.40	1.44	7.04	1.37	6.68	1.31	6.55	1.27	6.42	1.24	6.15	1.18
7+7+7	-15.0	4.84	1.52	4.80	1.62	4.77	1.72	4.75	1.77	4.74	1.82	4.71	1.92
	-10.0	5.90	1.72	5.86	1.82	5.83	1.92	5.81	1.97	5.80	2.02	5.77	2.12
	-5.0	6.96	1.92	6.92	2.02	6.68	2.12	6.55	2.11	6.42	2.08	6.15	2.01
	0.0	7.40	1.96	7.04	1.89	6.68	1.82	6.55	1.78	6.42	1.75	6.15	1.67
	6.0	7.40	1.56	7.04	1.49	6.68	1.42	6.55	1.38	6.42	1.35	6.15	1.28
	10.0	7.40	1.44	7.04	1.37	6.68	1.31	6.55	1.27	6.42	1.24	6.15	1.18
5+5+12	-15.0	4.90	1.54	4.87	1.64	4.83	1.74	4.82	1.79	4.80	1.84	4.77	1.94
	-10.0	5.98	1.74	5.94	1.84	5.91	1.94	5.89	1.99	5.88	2.04	5.84	2.14
	-5.0	7.05	1.94	7.02	2.04	6.98	2.14	6.97	2.19	6.95	2.24	6.92	2.34
	0.0	8.12	2.14	8.09	2.24	7.74	2.17	7.58	2.13	7.43	2.09	7.12	2.00
	6.0	8.57	1.87	8.15	1.78	7.74	1.70	7.58	1.65	7.43	1.61	7.12	1.53
	10.0	8.57	1.72	8.15	1.64	7.74	1.56	7.58	1.52	7.43	1.48	7.12	1.41
15.0	8.57	1.53	8.15	1.46	7.74	1.39	7.58	1.36	7.43	1.32	7.12	1.25	

5. Capacity tables

Heating Capacity [-24G-]

Combination Capacity Index (kBtu/h)	Outdoor Air Temp. (°WB)	Indoor Air Temp. (°DB)											
		16.0		18.0		20.0		21.0		22.0		24.0	
		TC	PI	TC	PI	TC	PI	TC	PI	TC	PI	TC	PI
5+9+9	-15.0	4.92	1.55	4.89	1.65	4.85	1.75	4.84	1.80	4.82	1.85	4.79	1.95
	-10.0	6.00	1.75	5.97	1.85	5.93	1.95	5.92	2.00	5.90	2.05	5.87	2.15
	-5.0	7.08	1.95	7.05	2.05	7.01	2.15	7.00	2.20	6.98	2.25	6.95	2.36
	0.0	8.16	2.15	8.12	2.25	8.09	2.35	7.93	2.30	7.77	2.24	7.44	2.12
	6.0	8.95	2.02	8.52	1.93	8.09	1.84	7.93	1.79	7.77	1.75	7.44	1.65
	10.0	8.95	1.86	8.52	1.78	8.09	1.69	7.93	1.65	7.77	1.61	7.44	1.52
7+7+9	15.0	8.95	1.66	8.52	1.58	8.09	1.51	7.93	1.47	7.77	1.43	7.44	1.36
	-15.0	4.92	1.55	4.89	1.65	4.85	1.75	4.84	1.80	4.82	1.85	4.79	1.95
	-10.0	6.00	1.75	5.97	1.85	5.93	1.95	5.92	2.00	5.90	2.05	5.87	2.15
	-5.0	7.08	1.95	7.05	2.05	7.01	2.15	7.00	2.20	6.98	2.25	6.95	2.36
	0.0	8.16	2.15	8.12	2.25	8.09	2.35	7.93	2.30	7.77	2.24	7.44	2.12
	6.0	8.95	2.02	8.52	1.93	8.09	1.84	7.93	1.79	7.77	1.75	7.44	1.65
5+7+12	10.0	8.95	1.86	8.52	1.78	8.09	1.69	7.93	1.65	7.77	1.61	7.44	1.52
	15.0	8.95	1.66	8.52	1.58	8.09	1.51	7.93	1.47	7.77	1.43	7.44	1.36
	-15.0	4.92	1.55	4.89	1.65	4.85	1.75	4.84	1.80	4.82	1.85	4.79	1.95
	-10.0	6.00	1.75	5.97	1.85	5.93	1.95	5.92	2.00	5.90	2.05	5.87	2.15
	-5.0	7.08	1.95	7.05	2.05	7.01	2.15	7.00	2.20	6.98	2.25	6.95	2.36
	0.0	8.16	2.15	8.12	2.25	8.09	2.35	7.93	2.30	7.77	2.24	7.44	2.12
5+5+15	6.0	8.95	2.02	8.52	1.93	8.09	1.84	7.93	1.79	7.77	1.75	7.44	1.65
	10.0	8.95	1.86	8.52	1.78	8.09	1.69	7.93	1.65	7.77	1.61	7.44	1.52
	15.0	8.95	1.66	8.52	1.58	8.09	1.51	7.93	1.47	7.77	1.43	7.44	1.36
	-15.0	4.92	1.55	4.89	1.65	4.85	1.75	4.84	1.80	4.82	1.85	4.79	1.95
	-10.0	6.00	1.75	5.97	1.85	5.93	1.95	5.92	2.00	5.90	2.05	5.87	2.15
	-5.0	7.08	1.95	7.05	2.05	7.01	2.15	7.00	2.20	6.98	2.25	6.95	2.36
7+9+9	0.0	8.16	2.15	8.12	2.25	8.09	2.35	7.93	2.30	7.77	2.24	7.44	2.12
	6.0	8.95	2.02	8.52	1.93	8.09	1.84	7.93	1.79	7.77	1.75	7.44	1.65
	10.0	8.95	1.86	8.52	1.78	8.09	1.69	7.93	1.65	7.77	1.61	7.44	1.52
	15.0	8.95	1.66	8.52	1.58	8.09	1.51	7.93	1.47	7.77	1.43	7.44	1.36
	-15.0	4.92	1.55	4.89	1.65	4.85	1.75	4.84	1.80	4.82	1.85	4.79	1.95
	-10.0	6.00	1.75	5.97	1.85	5.93	1.95	5.92	2.00	5.90	2.05	5.87	2.15
5+9+12	-5.0	7.08	1.95	7.05	2.05	7.01	2.15	7.00	2.20	6.98	2.25	6.95	2.36
	0.0	8.16	2.15	8.12	2.25	8.09	2.35	7.93	2.30	7.77	2.24	7.44	2.12
	6.0	8.95	2.02	8.52	1.93	8.09	1.84	7.93	1.79	7.77	1.75	7.44	1.65
	10.0	8.95	1.86	8.52	1.78	8.09	1.69	7.93	1.65	7.77	1.61	7.44	1.52
	15.0	8.95	1.66	8.52	1.58	8.09	1.51	7.93	1.47	7.77	1.43	7.44	1.36
	-15.0	4.92	1.55	4.89	1.65	4.85	1.75	4.84	1.80	4.82	1.85	4.79	1.95
7+7+12	-10.0	6.00	1.75	5.97	1.85	5.93	1.95	5.92	2.00	5.90	2.05	5.87	2.15
	-5.0	7.08	1.95	7.05	2.05	7.01	2.15	7.00	2.20	6.98	2.25	6.95	2.36
	0.0	8.16	2.15	8.12	2.25	8.09	2.35	7.93	2.30	7.77	2.24	7.44	2.12
	6.0	8.95	2.02	8.52	1.93	8.09	1.84	7.93	1.79	7.77	1.75	7.44	1.65
	10.0	8.95	1.86	8.52	1.78	8.09	1.69	7.93	1.65	7.77	1.61	7.44	1.52
	15.0	8.95	1.66	8.52	1.58	8.09	1.51	7.93	1.47	7.77	1.43	7.44	1.36
5+7+15	-15.0	4.92	1.55	4.89	1.65	4.85	1.75	4.84	1.80	4.82	1.85	4.79	1.95
	-10.0	6.00	1.75	5.97	1.85	5.93	1.95	5.92	2.00	5.90	2.05	5.87	2.15
	-5.0	7.08	1.95	7.05	2.05	7.01	2.15	7.00	2.20	6.98	2.25	6.95	2.36
	0.0	8.16	2.15	8.12	2.25	8.09	2.35	7.93	2.30	7.77	2.24	7.44	2.12
	6.0	8.95	2.02	8.52	1.93	8.09	1.84	7.93	1.79	7.77	1.75	7.44	1.65
	10.0	8.95	1.86	8.52	1.78	8.09	1.69	7.93	1.65	7.77	1.61	7.44	1.52
9+9+9	15.0	8.95	1.66	8.52	1.58	8.09	1.51	7.93	1.47	7.77	1.43	7.44	1.36
	-15.0	4.92	1.55	4.89	1.65	4.85	1.75	4.84	1.80	4.82	1.85	4.79	1.95
	-10.0	6.00	1.75	5.97	1.85	5.93	1.95	5.92	2.00	5.90	2.05	5.87	2.15
	-5.0	7.08	1.95	7.05	2.05	7.01	2.15	7.00	2.20	6.98	2.25	6.95	2.36
	0.0	8.16	2.15	8.12	2.25	8.09	2.35	7.93	2.30	7.77	2.24	7.44	2.12
	6.0	8.95	2.02	8.52	1.93	8.09	1.84	7.93	1.79	7.77	1.75	7.44	1.65
7+9+12	10.0	8.95	1.86	8.52	1.78	8.09	1.69	7.93	1.65	7.77	1.61	7.44	1.52
	15.0	8.95	1.66	8.52	1.58	8.09	1.51	7.93	1.47	7.77	1.43	7.44	1.36
	-15.0	4.92	1.55	4.89	1.65	4.85	1.75	4.84	1.80	4.82	1.85	4.79	1.95
	-10.0	6.00	1.75	5.97	1.85	5.93	1.95	5.92	2.00	5.90	2.05	5.87	2.15
	-5.0	7.08	1.95	7.05	2.05	7.01	2.15	7.00	2.20	6.98	2.25	6.95	2.36
	0.0	8.16	2.15	8.12	2.25	8.09	2.35	7.93	2.30	7.77	2.24	7.44	2.12

5. Capacity tables

Heating Capacity [-24G-]

Combination Capacity Index (kBtu/h)	Outdoor Air Temp. (°WB)	Indoor Air Temp. (°DB)											
		16.0		18.0		20.0		21.0		22.0		24.0	
		TC	PI	TC	PI	TC	PI	TC	PI	TC	PI	TC	PI
12+12+12	-15.0	4.92	1.55	4.89	1.65	4.85	1.75	4.84	1.80	4.82	1.85	4.79	1.95
	-10.0	6.00	1.75	5.97	1.85	5.93	1.95	5.92	2.00	5.90	2.05	5.87	2.15
	-5.0	7.08	1.95	7.05	2.05	7.01	2.15	7.00	2.20	6.98	2.25	6.95	2.36
	0.0	8.16	2.15	8.12	2.25	8.09	2.35	7.93	2.30	7.77	2.24	7.44	2.12
	6.0	8.95	2.02	8.52	1.93	8.09	1.84	7.93	1.79	7.77	1.75	7.44	1.65
	10.0	8.95	1.86	8.52	1.78	8.09	1.69	7.93	1.65	7.77	1.61	7.44	1.52
9+9+18	15.0	8.95	1.66	8.52	1.58	8.09	1.51	7.93	1.47	7.77	1.43	7.44	1.36
	-15.0	4.92	1.55	4.89	1.65	4.85	1.75	4.84	1.80	4.82	1.85	4.79	1.95
	-10.0	6.00	1.75	5.97	1.85	5.93	1.95	5.92	2.00	5.90	2.05	5.87	2.15
	-5.0	7.08	1.95	7.05	2.05	7.01	2.15	7.00	2.20	6.98	2.25	6.95	2.36
	0.0	8.16	2.15	8.12	2.25	8.09	2.35	7.93	2.30	7.77	2.24	7.44	2.12
	6.0	8.95	2.02	8.52	1.93	8.09	1.84	7.93	1.79	7.77	1.75	7.44	1.65
7+12+18	10.0	8.95	1.86	8.52	1.78	8.09	1.69	7.93	1.65	7.77	1.61	7.44	1.52
	15.0	8.95	1.66	8.52	1.58	8.09	1.51	7.93	1.47	7.77	1.43	7.44	1.36
	-15.0	4.92	1.55	4.89	1.65	4.85	1.75	4.84	1.80	4.82	1.85	4.79	1.95
	-10.0	6.00	1.75	5.97	1.85	5.93	1.95	5.92	2.00	5.90	2.05	5.87	2.15
	-5.0	7.08	1.95	7.05	2.05	7.01	2.15	7.00	2.20	6.98	2.25	6.95	2.36
	0.0	8.16	2.15	8.12	2.25	8.09	2.35	7.93	2.30	7.77	2.24	7.44	2.12
7+15+15	6.0	8.95	2.02	8.52	1.93	8.09	1.84	7.93	1.79	7.77	1.75	7.44	1.65
	10.0	8.95	1.86	8.52	1.78	8.09	1.69	7.93	1.65	7.77	1.61	7.44	1.52
	15.0	8.95	1.66	8.52	1.58	8.09	1.51	7.93	1.47	7.77	1.43	7.44	1.36
	-15.0	4.92	1.55	4.89	1.65	4.85	1.75	4.84	1.80	4.82	1.85	4.79	1.95
	-10.0	6.00	1.75	5.97	1.85	5.93	1.95	5.92	2.00	5.90	2.05	5.87	2.15
	-5.0	7.08	1.95	7.05	2.05	7.01	2.15	7.00	2.20	6.98	2.25	6.95	2.36
5+9+24	0.0	8.16	2.15	8.12	2.25	8.09	2.35	7.93	2.30	7.77	2.24	7.44	2.12
	6.0	8.95	2.02	8.52	1.93	8.09	1.84	7.93	1.79	7.77	1.75	7.44	1.65
	10.0	8.95	1.86	8.52	1.78	8.09	1.69	7.93	1.65	7.77	1.61	7.44	1.52
	15.0	8.95	1.66	8.52	1.58	8.09	1.51	7.93	1.47	7.77	1.43	7.44	1.36
	-15.0	4.92	1.55	4.89	1.65	4.85	1.75	4.84	1.80	4.82	1.85	4.79	1.95
	-10.0	6.00	1.75	5.97	1.85	5.93	1.95	5.92	2.00	5.90	2.05	5.87	2.15
5+15+18	-5.0	7.08	1.95	7.05	2.05	7.01	2.15	7.00	2.20	6.98	2.25	6.95	2.36
	0.0	8.16	2.15	8.12	2.25	8.09	2.35	7.93	2.30	7.77	2.24	7.44	2.12
	6.0	8.95	2.02	8.52	1.93	8.09	1.84	7.93	1.79	7.77	1.75	7.44	1.65
	10.0	8.95	1.86	8.52	1.78	8.09	1.69	7.93	1.65	7.77	1.61	7.44	1.52
	15.0	8.95	1.66	8.52	1.58	8.09	1.51	7.93	1.47	7.77	1.43	7.44	1.36
	-15.0	4.92	1.55	4.89	1.65	4.85	1.75	4.84	1.80	4.82	1.85	4.79	1.95
7+7+24	-10.0	6.00	1.75	5.97	1.85	5.93	1.95	5.92	2.00	5.90	2.05	5.87	2.15
	-5.0	7.08	1.95	7.05	2.05	7.01	2.15	7.00	2.20	6.98	2.25	6.95	2.36
	0.0	8.16	2.15	8.12	2.25	8.09	2.35	7.93	2.30	7.77	2.24	7.44	2.12
	6.0	8.95	2.02	8.52	1.93	8.09	1.84	7.93	1.79	7.77	1.75	7.44	1.65
	10.0	8.95	1.86	8.52	1.78	8.09	1.69	7.93	1.65	7.77	1.61	7.44	1.52
	15.0	8.95	1.66	8.52	1.58	8.09	1.51	7.93	1.47	7.77	1.43	7.44	1.36
9+12+18	-15.0	4.92	1.55	4.89	1.65	4.85	1.75	4.84	1.80	4.82	1.85	4.79	1.95
	-10.0	6.00	1.75	5.97	1.85	5.93	1.95	5.92	2.00	5.90	2.05	5.87	2.15
	-5.0	7.08	1.95	7.05	2.05	7.01	2.15	7.00	2.20	6.98	2.25	6.95	2.36
	0.0	8.16	2.15	8.12	2.25	8.09	2.35	7.93	2.30	7.77	2.24	7.44	2.12
	6.0	8.95	2.02	8.52	1.93	8.09	1.84	7.93	1.79	7.77	1.75	7.44	1.65
	10.0	8.95	1.86	8.52	1.78	8.09	1.69	7.93	1.65	7.77	1.61	7.44	1.52
9+15+15	15.0	8.95	1.66	8.52	1.58	8.09	1.51	7.93	1.47	7.77	1.43	7.44	1.36
	-15.0	4.92	1.55	4.89	1.65	4.85	1.75	4.84	1.80	4.82	1.85	4.79	1.95
	-10.0	6.00	1.75	5.97	1.85	5.93	1.95	5.92	2.00	5.90	2.05	5.87	2.15
	-5.0	7.08	1.95	7.05	2.05	7.01	2.15	7.00	2.20	6.98	2.25	6.95	2.36
	0.0	8.16	2.15	8.12	2.25	8.09	2.35	7.93	2.30	7.77	2.24	7.44	2.12
	6.0	8.95	2.02	8.52	1.93	8.09	1.84	7.93	1.79	7.77	1.75	7.44	1.65
12+12+15	10.0	8.95	1.86	8.52	1.78	8.09	1.69	7.93	1.65	7.77	1.61	7.44	1.52
	15.0	8.95	1.66	8.52	1.58	8.09	1.51	7.93	1.47	7.77	1.43	7.44	1.36
	-15.0	4.92	1.55	4.89	1.65	4.85	1.75	4.84	1.80	4.82	1.85	4.79	1.95
	-10.0	6.00	1.75	5.97	1.85	5.93	1.95	5.92	2.00	5.90	2.05	5.87	2.15
	-5.0	7.08	1.95	7.05	2.05	7.01	2.15	7.00	2.20	6.98	2.25	6.95	2.36
	0.0	8.16	2.15	8.12	2.25	8.09	2.35	7.93	2.30	7.77	2.24	7.44	2.12

4 Units Operation

5. Capacity tables

Heating Capacity [-24G-]

Combination Capacity Index (kBtu/h)	Outdoor Air Temp. (°WB)	Indoor Air Temp. (°DB)											
		16.0		18.0		20.0		21.0		22.0		24.0	
		TC	PI	TC	PI	TC	PI	TC	PI	TC	PI	TC	PI
5+5+5+5	-15.0	4.86	1.53	4.83	1.63	4.79	1.73	4.78	1.78	4.76	1.83	4.73	1.92
	-10.0	5.92	1.73	5.89	1.83	5.86	1.92	5.84	1.97	5.82	2.02	5.79	2.12
	-5.0	6.99	1.92	6.95	2.02	6.92	2.12	6.89	2.11	6.75	2.07	6.47	2.00
	0.0	7.79	1.96	7.41	1.89	7.03	1.81	6.89	1.78	6.75	1.74	6.47	1.67
	6.0	7.79	1.56	7.41	1.49	7.03	1.42	6.89	1.38	6.75	1.35	6.47	1.28
	10.0	7.79	1.44	7.41	1.37	7.03	1.30	6.89	1.27	6.75	1.24	6.47	1.17
5+5+5+7	15.0	7.79	1.28	7.41	1.22	7.03	1.16	6.89	1.13	6.75	1.10	6.47	1.05
	-15.0	4.90	1.54	4.87	1.64	4.83	1.74	4.82	1.79	4.80	1.84	4.77	1.94
	-10.0	5.98	1.74	5.94	1.84	5.91	1.94	5.89	1.99	5.88	2.04	5.84	2.14
	-5.0	7.05	1.94	7.02	2.04	6.98	2.14	6.97	2.19	6.95	2.24	6.92	2.30
	0.0	8.12	2.14	8.09	2.16	7.74	2.08	7.58	2.04	7.43	2.00	7.12	1.92
	6.0	8.57	1.79	8.15	1.71	7.74	1.62	7.58	1.58	7.43	1.54	7.12	1.46
5+5+5+9	10.0	8.57	1.64	8.15	1.57	7.74	1.49	7.58	1.46	7.43	1.42	7.12	1.35
	15.0	8.57	1.47	8.15	1.40	7.74	1.33	7.58	1.30	7.43	1.27	7.12	1.20
	-15.0	4.92	1.55	4.89	1.65	4.85	1.75	4.84	1.80	4.82	1.85	4.79	1.95
	-10.0	6.00	1.75	5.97	1.85	5.93	1.95	5.92	2.00	5.90	2.05	5.87	2.15
	-5.0	7.08	1.95	7.05	2.05	7.01	2.15	7.00	2.20	6.98	2.25	6.95	2.36
	0.0	8.16	2.15	8.12	2.25	8.09	2.35	7.93	2.30	7.77	2.24	7.44	2.12
5+5+5+7+7	6.0	8.95	2.02	8.52	1.93	8.09	1.84	7.93	1.79	7.77	1.75	7.44	1.65
	10.0	8.95	1.86	8.52	1.78	8.09	1.69	7.93	1.65	7.77	1.61	7.44	1.52
	15.0	8.95	1.66	8.52	1.58	8.09	1.51	7.93	1.47	7.77	1.43	7.44	1.36
	-15.0	4.92	1.55	4.89	1.65	4.85	1.75	4.84	1.80	4.82	1.85	4.79	1.95
	-10.0	6.00	1.75	5.97	1.85	5.93	1.95	5.92	2.00	5.90	2.05	5.87	2.15
	-5.0	7.08	1.95	7.05	2.05	7.01	2.15	7.00	2.20	6.98	2.25	6.95	2.36
5+5+7+7+7	0.0	8.16	2.15	8.12	2.25	8.09	2.35	7.93	2.30	7.77	2.24	7.44	2.12
	6.0	8.95	2.02	8.52	1.93	8.09	1.84	7.93	1.79	7.77	1.75	7.44	1.65
	10.0	8.95	1.86	8.52	1.78	8.09	1.69	7.93	1.65	7.77	1.61	7.44	1.52
	15.0	8.95	1.66	8.52	1.58	8.09	1.51	7.93	1.47	7.77	1.43	7.44	1.36
	-15.0	4.92	1.55	4.89	1.65	4.85	1.75	4.84	1.80	4.82	1.85	4.79	1.95
	-10.0	6.00	1.75	5.97	1.85	5.93	1.95	5.92	2.00	5.90	2.05	5.87	2.15
5+5+7+9	-5.0	7.08	1.95	7.05	2.05	7.01	2.15	7.00	2.20	6.98	2.25	6.95	2.36
	0.0	8.16	2.15	8.12	2.25	8.09	2.35	7.93	2.30	7.77	2.24	7.44	2.12
	6.0	8.95	2.02	8.52	1.93	8.09	1.84	7.93	1.79	7.77	1.75	7.44	1.65
	10.0	8.95	1.86	8.52	1.78	8.09	1.69	7.93	1.65	7.77	1.61	7.44	1.52
	15.0	8.95	1.66	8.52	1.58	8.09	1.51	7.93	1.47	7.77	1.43	7.44	1.36
	-15.0	4.92	1.55	4.89	1.65	4.85	1.75	4.84	1.80	4.82	1.85	4.79	1.95
5+5+9+9	-10.0	6.00	1.75	5.97	1.85	5.93	1.95	5.92	2.00	5.90	2.05	5.87	2.15
	-5.0	7.08	1.95	7.05	2.05	7.01	2.15	7.00	2.20	6.98	2.25	6.95	2.36
	0.0	8.16	2.15	8.12	2.25	8.09	2.35	7.93	2.30	7.77	2.24	7.44	2.12
	6.0	8.95	2.02	8.52	1.93	8.09	1.84	7.93	1.79	7.77	1.75	7.44	1.65
	10.0	8.95	1.86	8.52	1.78	8.09	1.69	7.93	1.65	7.77	1.61	7.44	1.52
	15.0	8.95	1.66	8.52	1.58	8.09	1.51	7.93	1.47	7.77	1.43	7.44	1.36
5+7+7+9	-15.0	4.92	1.55	4.89	1.65	4.85	1.75	4.84	1.80	4.82	1.85	4.79	1.95
	-10.0	6.00	1.75	5.97	1.85	5.93	1.95	5.92	2.00	5.90	2.05	5.87	2.15
	-5.0	7.08	1.95	7.05	2.05	7.01	2.15	7.00	2.20	6.98	2.25	6.95	2.36
	0.0	8.16	2.15	8.12	2.25	8.09	2.35	7.93	2.30	7.77	2.24	7.44	2.12
	6.0	8.95	2.02	8.52	1.93	8.09	1.84	7.93	1.79	7.77	1.75	7.44	1.65
	10.0	8.95	1.86	8.52	1.78	8.09	1.69	7.93	1.65	7.77	1.61	7.44	1.52
7+7+7+7	15.0	8.95	1.66	8.52	1.58	8.09	1.51	7.93	1.47	7.77	1.43	7.44	1.36
	-15.0	4.92	1.55	4.89	1.65	4.85	1.75	4.84	1.80	4.82	1.85	4.79	1.95
	-10.0	6.00	1.75	5.97	1.85	5.93	1.95	5.92	2.00	5.90	2.05	5.87	2.15
	-5.0	7.08	1.95	7.05	2.05	7.01	2.15	7.00	2.20	6.98	2.25	6.95	2.36
	0.0	8.16	2.15	8.12	2.25	8.09	2.35	7.93	2.30	7.77	2.24	7.44	2.12
	6.0	8.95	2.02	8.52	1.93	8.09	1.84	7.93	1.79	7.77	1.75	7.44	1.65

5. Capacity tables

Heating Capacity [-24G-]

Combination Capacity Index (kBtu/h)	Outdoor Air Temp. (°WB)	Indoor Air Temp. (°DB)											
		16.0		18.0		20.0		21.0		22.0		24.0	
		TC	PI	TC	PI	TC	PI	TC	PI	TC	PI	TC	PI
5+5+7+12	-15.0	4.92	1.55	4.89	1.65	4.85	1.75	4.84	1.80	4.82	1.85	4.79	1.95
	-10.0	6.00	1.75	5.97	1.85	5.93	1.95	5.92	2.00	5.90	2.05	5.87	2.15
	-5.0	7.08	1.95	7.05	2.05	7.01	2.15	7.00	2.20	6.98	2.25	6.95	2.36
	0.0	8.16	2.15	8.12	2.25	8.09	2.35	7.93	2.30	7.77	2.24	7.44	2.12
	6.0	8.95	2.02	8.52	1.93	8.09	1.84	7.93	1.79	7.77	1.75	7.44	1.65
	10.0	8.95	1.86	8.52	1.78	8.09	1.69	7.93	1.65	7.77	1.61	7.44	1.52
5+5+5+15	-15.0	4.92	1.55	4.89	1.65	4.85	1.75	4.84	1.80	4.82	1.85	4.79	1.95
	-10.0	6.00	1.75	5.97	1.85	5.93	1.95	5.92	2.00	5.90	2.05	5.87	2.15
	-5.0	7.08	1.95	7.05	2.05	7.01	2.15	7.00	2.20	6.98	2.25	6.95	2.36
	0.0	8.16	2.15	8.12	2.25	8.09	2.35	7.93	2.30	7.77	2.24	7.44	2.12
	6.0	8.95	2.02	8.52	1.93	8.09	1.84	7.93	1.79	7.77	1.75	7.44	1.65
	10.0	8.95	1.86	8.52	1.78	8.09	1.69	7.93	1.65	7.77	1.61	7.44	1.52
5+7+9+9	-15.0	4.92	1.55	4.89	1.65	4.85	1.75	4.84	1.80	4.82	1.85	4.79	1.95
	-10.0	6.00	1.75	5.97	1.85	5.93	1.95	5.92	2.00	5.90	2.05	5.87	2.15
	-5.0	7.08	1.95	7.05	2.05	7.01	2.15	7.00	2.20	6.98	2.25	6.95	2.36
	0.0	8.16	2.15	8.12	2.25	8.09	2.35	7.93	2.30	7.77	2.24	7.44	2.12
	6.0	8.95	2.02	8.52	1.93	8.09	1.84	7.93	1.79	7.77	1.75	7.44	1.65
	10.0	8.95	1.86	8.52	1.78	8.09	1.69	7.93	1.65	7.77	1.61	7.44	1.52
7+7+7+9	-15.0	4.92	1.55	4.89	1.65	4.85	1.75	4.84	1.80	4.82	1.85	4.79	1.95
	-10.0	6.00	1.75	5.97	1.85	5.93	1.95	5.92	2.00	5.90	2.05	5.87	2.15
	-5.0	7.08	1.95	7.05	2.05	7.01	2.15	7.00	2.20	6.98	2.25	6.95	2.36
	0.0	8.16	2.15	8.12	2.25	8.09	2.35	7.93	2.30	7.77	2.24	7.44	2.12
	6.0	8.95	2.02	8.52	1.93	8.09	1.84	7.93	1.79	7.77	1.75	7.44	1.65
	10.0	8.95	1.86	8.52	1.78	8.09	1.69	7.93	1.65	7.77	1.61	7.44	1.52
5+5+9+12	-15.0	4.92	1.55	4.89	1.65	4.85	1.75	4.84	1.80	4.82	1.85	4.79	1.95
	-10.0	6.00	1.75	5.97	1.85	5.93	1.95	5.92	2.00	5.90	2.05	5.87	2.15
	-5.0	7.08	1.95	7.05	2.05	7.01	2.15	7.00	2.20	6.98	2.25	6.95	2.36
	0.0	8.16	2.15	8.12	2.25	8.09	2.35	7.93	2.30	7.77	2.24	7.44	2.12
	6.0	8.95	2.02	8.52	1.93	8.09	1.84	7.93	1.79	7.77	1.75	7.44	1.65
	10.0	8.95	1.86	8.52	1.78	8.09	1.69	7.93	1.65	7.77	1.61	7.44	1.52
5+7+7+12	-15.0	4.92	1.55	4.89	1.65	4.85	1.75	4.84	1.80	4.82	1.85	4.79	1.95
	-10.0	6.00	1.75	5.97	1.85	5.93	1.95	5.92	2.00	5.90	2.05	5.87	2.15
	-5.0	7.08	1.95	7.05	2.05	7.01	2.15	7.00	2.20	6.98	2.25	6.95	2.36
	0.0	8.16	2.15	8.12	2.25	8.09	2.35	7.93	2.30	7.77	2.24	7.44	2.12
	6.0	8.95	2.02	8.52	1.93	8.09	1.84	7.93	1.79	7.77	1.75	7.44	1.65
	10.0	8.95	1.86	8.52	1.78	8.09	1.69	7.93	1.65	7.77	1.61	7.44	1.52
5+5+7+15	-15.0	4.92	1.55	4.89	1.65	4.85	1.75	4.84	1.80	4.82	1.85	4.79	1.95
	-10.0	6.00	1.75	5.97	1.85	5.93	1.95	5.92	2.00	5.90	2.05	5.87	2.15
	-5.0	7.08	1.95	7.05	2.05	7.01	2.15	7.00	2.20	6.98	2.25	6.95	2.36
	0.0	8.16	2.15	8.12	2.25	8.09	2.35	7.93	2.30	7.77	2.24	7.44	2.12
	6.0	8.95	2.02	8.52	1.93	8.09	1.84	7.93	1.79	7.77	1.75	7.44	1.65
	10.0	8.95	1.86	8.52	1.78	8.09	1.69	7.93	1.65	7.77	1.61	7.44	1.52
7+7+9+9	-15.0	4.92	1.55	4.89	1.65	4.85	1.75	4.84	1.80	4.82	1.85	4.79	1.95
	-10.0	6.00	1.75	5.97	1.85	5.93	1.95	5.92	2.00	5.90	2.05	5.87	2.15
	-5.0	7.08	1.95	7.05	2.05	7.01	2.15	7.00	2.20	6.98	2.25	6.95	2.36
	0.0	8.16	2.15	8.12	2.25	8.09	2.35	7.93	2.30	7.77	2.24	7.44	2.12
	6.0	8.95	2.02	8.52	1.93	8.09	1.84	7.93	1.79	7.77	1.75	7.44	1.65
	10.0	8.95	1.86	8.52	1.78	8.09	1.69	7.93	1.65	7.77	1.61	7.44	1.52
5+9+9+9	-15.0	4.92	1.55	4.89	1.65	4.85	1.75	4.84	1.80	4.82	1.85	4.79	1.95
	-10.0	6.00	1.75	5.97	1.85	5.93	1.95	5.92	2.00	5.90	2.05	5.87	2.15
	-5.0	7.08	1.95	7.05	2.05	7.01	2.15	7.00	2.20	6.98	2.25	6.95	2.36
	0.0	8.16	2.15	8.12	2.25	8.09	2.35	7.93	2.30	7.77	2.24	7.44	2.12
	6.0	8.95	2.02	8.52	1.93	8.09	1.84	7.93	1.79	7.77	1.75	7.44	1.65
	10.0	8.95	1.86	8.52	1.78	8.09	1.69	7.93	1.65	7.77	1.61	7.44	1.52
5+5+5+18	-15.0	4.92	1.55	4.89	1.65	4.85	1.75	4.84	1.80	4.82	1.85	4.79	1.95
	-10.0	6.00	1.75	5.97	1.85	5.93	1.95	5.92	2.00	5.90	2.05	5.87	2.15
	-5.0	7.08	1.95	7.05	2.05	7.01	2.15	7.00	2.20	6.98	2.25	6.95	2.36
	0.0	8.16	2.15	8.12	2.25	8.09	2.35	7.93	2.30	7.77	2.24	7.44	2.12
	6.0	8.95	2.02	8.52	1.93	8.09	1.84	7.93	1.79	7.77	1.75	7.44	1.65
	10.0	8.95	1.86	8.52	1.78	8.09	1.69	7.93	1.65	7.77	1.61	7.44	1.52
15.0	8.95	1.66	8.52	1.58	8.09	1.51	7.93	1.47	7.77	1.43	7.44	1.36	

5. Capacity tables

Heating Capacity [-24G-]

Combination Capacity Index (kBtu/h)	Outdoor Air Temp. (°WB)	Indoor Air Temp. (°DB)											
		16.0		18.0		20.0		21.0		22.0		24.0	
		TC	PI	TC	PI	TC	PI	TC	PI	TC	PI	TC	PI
5+7+9+12	-15.0	4.92	1.55	4.89	1.65	4.85	1.75	4.84	1.80	4.82	1.85	4.79	1.95
	-10.0	6.00	1.75	5.97	1.85	5.93	1.95	5.92	2.00	5.90	2.05	5.87	2.15
	-5.0	7.08	1.95	7.05	2.05	7.01	2.15	7.00	2.20	6.98	2.25	6.95	2.36
	0.0	8.16	2.15	8.12	2.25	8.09	2.35	7.93	2.30	7.77	2.24	7.44	2.12
	6.0	8.95	2.02	8.52	1.93	8.09	1.84	7.93	1.79	7.77	1.75	7.44	1.65
	10.0	8.95	1.86	8.52	1.78	8.09	1.69	7.93	1.65	7.77	1.61	7.44	1.52
7+7+7+12	-15.0	4.92	1.55	4.89	1.65	4.85	1.75	4.84	1.80	4.82	1.85	4.79	1.95
	-10.0	6.00	1.75	5.97	1.85	5.93	1.95	5.92	2.00	5.90	2.05	5.87	2.15
	-5.0	7.08	1.95	7.05	2.05	7.01	2.15	7.00	2.20	6.98	2.25	6.95	2.36
	0.0	8.16	2.15	8.12	2.25	8.09	2.35	7.93	2.30	7.77	2.24	7.44	2.12
	6.0	8.95	2.02	8.52	1.93	8.09	1.84	7.93	1.79	7.77	1.75	7.44	1.65
	10.0	8.95	1.86	8.52	1.78	8.09	1.69	7.93	1.65	7.77	1.61	7.44	1.52
5+5+9+15	-15.0	4.92	1.55	4.89	1.65	4.85	1.75	4.84	1.80	4.82	1.85	4.79	1.95
	-10.0	6.00	1.75	5.97	1.85	5.93	1.95	5.92	2.00	5.90	2.05	5.87	2.15
	-5.0	7.08	1.95	7.05	2.05	7.01	2.15	7.00	2.20	6.98	2.25	6.95	2.36
	0.0	8.16	2.15	8.12	2.25	8.09	2.35	7.93	2.30	7.77	2.24	7.44	2.12
	6.0	8.95	2.02	8.52	1.93	8.09	1.84	7.93	1.79	7.77	1.75	7.44	1.65
	10.0	8.95	1.86	8.52	1.78	8.09	1.69	7.93	1.65	7.77	1.61	7.44	1.52
5+5+12+12	-15.0	4.92	1.55	4.89	1.65	4.85	1.75	4.84	1.80	4.82	1.85	4.79	1.95
	-10.0	6.00	1.75	5.97	1.85	5.93	1.95	5.92	2.00	5.90	2.05	5.87	2.15
	-5.0	7.08	1.95	7.05	2.05	7.01	2.15	7.00	2.20	6.98	2.25	6.95	2.36
	0.0	8.16	2.15	8.12	2.25	8.09	2.35	7.93	2.30	7.77	2.24	7.44	2.12
	6.0	8.95	2.02	8.52	1.93	8.09	1.84	7.93	1.79	7.77	1.75	7.44	1.65
	10.0	8.95	1.86	8.52	1.78	8.09	1.69	7.93	1.65	7.77	1.61	7.44	1.52
5+7+7+15	-15.0	4.92	1.55	4.89	1.65	4.85	1.75	4.84	1.80	4.82	1.85	4.79	1.95
	-10.0	6.00	1.75	5.97	1.85	5.93	1.95	5.92	2.00	5.90	2.05	5.87	2.15
	-5.0	7.08	1.95	7.05	2.05	7.01	2.15	7.00	2.20	6.98	2.25	6.95	2.36
	0.0	8.16	2.15	8.12	2.25	8.09	2.35	7.93	2.30	7.77	2.24	7.44	2.12
	6.0	8.95	2.02	8.52	1.93	8.09	1.84	7.93	1.79	7.77	1.75	7.44	1.65
	10.0	8.95	1.86	8.52	1.78	8.09	1.69	7.93	1.65	7.77	1.61	7.44	1.52
7+9+9+9	-15.0	4.92	1.55	4.89	1.65	4.85	1.75	4.84	1.80	4.82	1.85	4.79	1.95
	-10.0	6.00	1.75	5.97	1.85	5.93	1.95	5.92	2.00	5.90	2.05	5.87	2.15
	-5.0	7.08	1.95	7.05	2.05	7.01	2.15	7.00	2.20	6.98	2.25	6.95	2.36
	0.0	8.16	2.15	8.12	2.25	8.09	2.35	7.93	2.30	7.77	2.24	7.44	2.12
	6.0	8.95	2.02	8.52	1.93	8.09	1.84	7.93	1.79	7.77	1.75	7.44	1.65
	10.0	8.95	1.86	8.52	1.78	8.09	1.69	7.93	1.65	7.77	1.61	7.44	1.52
5+5+7+18	-15.0	4.92	1.55	4.89	1.65	4.85	1.75	4.84	1.80	4.82	1.85	4.79	1.95
	-10.0	6.00	1.75	5.97	1.85	5.93	1.95	5.92	2.00	5.90	2.05	5.87	2.15
	-5.0	7.08	1.95	7.05	2.05	7.01	2.15	7.00	2.20	6.98	2.25	6.95	2.36
	0.0	8.16	2.15	8.12	2.25	8.09	2.35	7.93	2.30	7.77	2.24	7.44	2.12
	6.0	8.95	2.02	8.52	1.93	8.09	1.84	7.93	1.79	7.77	1.75	7.44	1.65
	10.0	8.95	1.86	8.52	1.78	8.09	1.69	7.93	1.65	7.77	1.61	7.44	1.52
5+9+9+12	-15.0	4.92	1.55	4.89	1.65	4.85	1.75	4.84	1.80	4.82	1.85	4.79	1.95
	-10.0	6.00	1.75	5.97	1.85	5.93	1.95	5.92	2.00	5.90	2.05	5.87	2.15
	-5.0	7.08	1.95	7.05	2.05	7.01	2.15	7.00	2.20	6.98	2.25	6.95	2.36
	0.0	8.16	2.15	8.12	2.25	8.09	2.35	7.93	2.30	7.77	2.24	7.44	2.12
	6.0	8.95	2.02	8.52	1.93	8.09	1.84	7.93	1.79	7.77	1.75	7.44	1.65
	10.0	8.95	1.86	8.52	1.78	8.09	1.69	7.93	1.65	7.77	1.61	7.44	1.52
7+7+9+12	-15.0	4.92	1.55	4.89	1.65	4.85	1.75	4.84	1.80	4.82	1.85	4.79	1.95
	-10.0	6.00	1.75	5.97	1.85	5.93	1.95	5.92	2.00	5.90	2.05	5.87	2.15
	-5.0	7.08	1.95	7.05	2.05	7.01	2.15	7.00	2.20	6.98	2.25	6.95	2.36
	0.0	8.16	2.15	8.12	2.25	8.09	2.35	7.93	2.30	7.77	2.24	7.44	2.12
	6.0	8.95	2.02	8.52	1.93	8.09	1.84	7.93	1.79	7.77	1.75	7.44	1.65
	10.0	8.95	1.86	8.52	1.78	8.09	1.69	7.93	1.65	7.77	1.61	7.44	1.52
5+7+9+15	-15.0	4.92	1.55	4.89	1.65	4.85	1.75	4.84	1.80	4.82	1.85	4.79	1.95
	-10.0	6.00	1.75	5.97	1.85	5.93	1.95	5.92	2.00	5.90	2.05	5.87	2.15
	-5.0	7.08	1.95	7.05	2.05	7.01	2.15	7.00	2.20	6.98	2.25	6.95	2.36
	0.0	8.16	2.15	8.12	2.25	8.09	2.35	7.93	2.30	7.77	2.24	7.44	2.12
	6.0	8.95	2.02	8.52	1.93	8.09	1.84	7.93	1.79	7.77	1.75	7.44	1.65
	10.0	8.95	1.86	8.52	1.78	8.09	1.69	7.93	1.65	7.77	1.61	7.44	1.52

5. Capacity tables

Heating Capacity [-24G-]

Combination Capacity Index (kBtu/h)	Outdoor Air Temp. (°WB)	Indoor Air Temp. (°DB)											
		16.0		18.0		20.0		21.0		22.0		24.0	
		TC	PI	TC	PI	TC	PI	TC	PI	TC	PI	TC	PI
5+7+12+12	-15.0	4.92	1.55	4.89	1.65	4.85	1.75	4.84	1.80	4.82	1.85	4.79	1.95
	-10.0	6.00	1.75	5.97	1.85	5.93	1.95	5.92	2.00	5.90	2.05	5.87	2.15
	-5.0	7.08	1.95	7.05	2.05	7.01	2.15	7.00	2.20	6.98	2.25	6.95	2.36
	0.0	8.16	2.15	8.12	2.25	8.09	2.35	7.93	2.30	7.77	2.24	7.44	2.12
	6.0	8.95	2.02	8.52	1.93	8.09	1.84	7.93	1.79	7.77	1.75	7.44	1.65
	10.0	8.95	1.86	8.52	1.78	8.09	1.69	7.93	1.65	7.77	1.61	7.44	1.52
7+7+7+15	-15.0	4.92	1.55	4.89	1.65	4.85	1.75	4.84	1.80	4.82	1.85	4.79	1.95
	-10.0	6.00	1.75	5.97	1.85	5.93	1.95	5.92	2.00	5.90	2.05	5.87	2.15
	-5.0	7.08	1.95	7.05	2.05	7.01	2.15	7.00	2.20	6.98	2.25	6.95	2.36
	0.0	8.16	2.15	8.12	2.25	8.09	2.35	7.93	2.30	7.77	2.24	7.44	2.12
	6.0	8.95	2.02	8.52	1.93	8.09	1.84	7.93	1.79	7.77	1.75	7.44	1.65
	10.0	8.95	1.86	8.52	1.78	8.09	1.69	7.93	1.65	7.77	1.61	7.44	1.52
9+9+9+9	-15.0	4.92	1.55	4.89	1.65	4.85	1.75	4.84	1.80	4.82	1.85	4.79	1.95
	-10.0	6.00	1.75	5.97	1.85	5.93	1.95	5.92	2.00	5.90	2.05	5.87	2.15
	-5.0	7.08	1.95	7.05	2.05	7.01	2.15	7.00	2.20	6.98	2.25	6.95	2.36
	0.0	8.16	2.15	8.12	2.25	8.09	2.35	7.93	2.30	7.77	2.24	7.44	2.12
	6.0	8.95	2.02	8.52	1.93	8.09	1.84	7.93	1.79	7.77	1.75	7.44	1.65
	10.0	8.95	1.86	8.52	1.78	8.09	1.69	7.93	1.65	7.77	1.61	7.44	1.52
5+5+9+18	-15.0	4.92	1.55	4.89	1.65	4.85	1.75	4.84	1.80	4.82	1.85	4.79	1.95
	-10.0	6.00	1.75	5.97	1.85	5.93	1.95	5.92	2.00	5.90	2.05	5.87	2.15
	-5.0	7.08	1.95	7.05	2.05	7.01	2.15	7.00	2.20	6.98	2.25	6.95	2.36
	0.0	8.16	2.15	8.12	2.25	8.09	2.35	7.93	2.30	7.77	2.24	7.44	2.12
	6.0	8.95	2.02	8.52	1.93	8.09	1.84	7.93	1.79	7.77	1.75	7.44	1.65
	10.0	8.95	1.86	8.52	1.78	8.09	1.69	7.93	1.65	7.77	1.61	7.44	1.52
5+5+12+15	-15.0	4.92	1.55	4.89	1.65	4.85	1.75	4.84	1.80	4.82	1.85	4.79	1.95
	-10.0	6.00	1.75	5.97	1.85	5.93	1.95	5.92	2.00	5.90	2.05	5.87	2.15
	-5.0	7.08	1.95	7.05	2.05	7.01	2.15	7.00	2.20	6.98	2.25	6.95	2.36
	0.0	8.16	2.15	8.12	2.25	8.09	2.35	7.93	2.30	7.77	2.24	7.44	2.12
	6.0	8.95	2.02	8.52	1.93	8.09	1.84	7.93	1.79	7.77	1.75	7.44	1.65
	10.0	8.95	1.86	8.52	1.78	8.09	1.69	7.93	1.65	7.77	1.61	7.44	1.52
5+7+7+18	-15.0	4.92	1.55	4.89	1.65	4.85	1.75	4.84	1.80	4.82	1.85	4.79	1.95
	-10.0	6.00	1.75	5.97	1.85	5.93	1.95	5.92	2.00	5.90	2.05	5.87	2.15
	-5.0	7.08	1.95	7.05	2.05	7.01	2.15	7.00	2.20	6.98	2.25	6.95	2.36
	0.0	8.16	2.15	8.12	2.25	8.09	2.35	7.93	2.30	7.77	2.24	7.44	2.12
	6.0	8.95	2.02	8.52	1.93	8.09	1.84	7.93	1.79	7.77	1.75	7.44	1.65
	10.0	8.95	1.86	8.52	1.78	8.09	1.69	7.93	1.65	7.77	1.61	7.44	1.52
7+9+9+12	-15.0	4.92	1.55	4.89	1.65	4.85	1.75	4.84	1.80	4.82	1.85	4.79	1.95
	-10.0	6.00	1.75	5.97	1.85	5.93	1.95	5.92	2.00	5.90	2.05	5.87	2.15
	-5.0	7.08	1.95	7.05	2.05	7.01	2.15	7.00	2.20	6.98	2.25	6.95	2.36
	0.0	8.16	2.15	8.12	2.25	8.09	2.35	7.93	2.30	7.77	2.24	7.44	2.12
	6.0	8.95	2.02	8.52	1.93	8.09	1.84	7.93	1.79	7.77	1.75	7.44	1.65
	10.0	8.95	1.86	8.52	1.78	8.09	1.69	7.93	1.65	7.77	1.61	7.44	1.52
5+9+9+15	-15.0	4.92	1.55	4.89	1.65	4.85	1.75	4.84	1.80	4.82	1.85	4.79	1.95
	-10.0	6.00	1.75	5.97	1.85	5.93	1.95	5.92	2.00	5.90	2.05	5.87	2.15
	-5.0	7.08	1.95	7.05	2.05	7.01	2.15	7.00	2.20	6.98	2.25	6.95	2.36
	0.0	8.16	2.15	8.12	2.25	8.09	2.35	7.93	2.30	7.77	2.24	7.44	2.12
	6.0	8.95	2.02	8.52	1.93	8.09	1.84	7.93	1.79	7.77	1.75	7.44	1.65
	10.0	8.95	1.86	8.52	1.78	8.09	1.69	7.93	1.65	7.77	1.61	7.44	1.52
7+7+9+15	-15.0	4.92	1.55	4.89	1.65	4.85	1.75	4.84	1.80	4.82	1.85	4.79	1.95
	-10.0	6.00	1.75	5.97	1.85	5.93	1.95	5.92	2.00	5.90	2.05	5.87	2.15
	-5.0	7.08	1.95	7.05	2.05	7.01	2.15	7.00	2.20	6.98	2.25	6.95	2.36
	0.0	8.16	2.15	8.12	2.25	8.09	2.35	7.93	2.30	7.77	2.24	7.44	2.12
	6.0	8.95	2.02	8.52	1.93	8.09	1.84	7.93	1.79	7.77	1.75	7.44	1.65
	10.0	8.95	1.86	8.52	1.78	8.09	1.69	7.93	1.65	7.77	1.61	7.44	1.52
7+7+12+12	-15.0	4.92	1.55	4.89	1.65	4.85	1.75	4.84	1.80	4.82	1.85	4.79	1.95
	-10.0	6.00	1.75	5.97	1.85	5.93	1.95	5.92	2.00	5.90	2.05	5.87	2.15
	-5.0	7.08	1.95	7.05	2.05	7.01	2.15	7.00	2.20	6.98	2.25	6.95	2.36
	0.0	8.16	2.15	8.12	2.25	8.09	2.35	7.93	2.30	7.77	2.24	7.44	2.12
	6.0	8.95	2.02	8.52	1.93	8.09	1.84	7.93	1.79	7.77	1.75	7.44	1.65
	10.0	8.95	1.86	8.52	1.78	8.09	1.69	7.93	1.65	7.77	1.61	7.44	1.52

5. Capacity tables

Heating Capacity [-24G-]

Combination Capacity Index (kBtu/h)	Outdoor Air Temp. (°WB)	Indoor Air Temp. (°DB)											
		16.0		18.0		20.0		21.0		22.0		24.0	
		TC	PI	TC	PI	TC	PI	TC	PI	TC	PI	TC	PI
5+5+5+24	-15.0	4.92	1.55	4.89	1.65	4.85	1.75	4.84	1.80	4.82	1.85	4.79	1.95
	-10.0	6.00	1.75	5.97	1.85	5.93	1.95	5.92	2.00	5.90	2.05	5.87	2.15
	-5.0	7.08	1.95	7.05	2.05	7.01	2.15	7.00	2.20	6.98	2.25	6.95	2.36
	0.0	8.16	2.15	8.12	2.25	8.09	2.35	7.93	2.30	7.77	2.24	7.44	2.12
	6.0	8.95	2.02	8.52	1.93	8.09	1.84	7.93	1.79	7.77	1.75	7.44	1.65
	10.0	8.95	1.86	8.52	1.78	8.09	1.69	7.93	1.65	7.77	1.61	7.44	1.52
5+7+9+18	15.0	8.95	1.66	8.52	1.58	8.09	1.51	7.93	1.47	7.77	1.43	7.44	1.36
	-15.0	4.92	1.55	4.89	1.65	4.85	1.75	4.84	1.80	4.82	1.85	4.79	1.95
	-10.0	6.00	1.75	5.97	1.85	5.93	1.95	5.92	2.00	5.90	2.05	5.87	2.15
	-5.0	7.08	1.95	7.05	2.05	7.01	2.15	7.00	2.20	6.98	2.25	6.95	2.36
	0.0	8.16	2.15	8.12	2.25	8.09	2.35	7.93	2.30	7.77	2.24	7.44	2.12
	6.0	8.95	2.02	8.52	1.93	8.09	1.84	7.93	1.79	7.77	1.75	7.44	1.65
5+7+12+15	10.0	8.95	1.86	8.52	1.78	8.09	1.69	7.93	1.65	7.77	1.61	7.44	1.52
	15.0	8.95	1.66	8.52	1.58	8.09	1.51	7.93	1.47	7.77	1.43	7.44	1.36
	-15.0	4.92	1.55	4.89	1.65	4.85	1.75	4.84	1.80	4.82	1.85	4.79	1.95
	-10.0	6.00	1.75	5.97	1.85	5.93	1.95	5.92	2.00	5.90	2.05	5.87	2.15
	-5.0	7.08	1.95	7.05	2.05	7.01	2.15	7.00	2.20	6.98	2.25	6.95	2.36
	0.0	8.16	2.15	8.12	2.25	8.09	2.35	7.93	2.30	7.77	2.24	7.44	2.12
9+9+9+12	6.0	8.95	2.02	8.52	1.93	8.09	1.84	7.93	1.79	7.77	1.75	7.44	1.65
	10.0	8.95	1.86	8.52	1.78	8.09	1.69	7.93	1.65	7.77	1.61	7.44	1.52
	15.0	8.95	1.66	8.52	1.58	8.09	1.51	7.93	1.47	7.77	1.43	7.44	1.36
	-15.0	4.92	1.55	4.89	1.65	4.85	1.75	4.84	1.80	4.82	1.85	4.79	1.95
	-10.0	6.00	1.75	5.97	1.85	5.93	1.95	5.92	2.00	5.90	2.05	5.87	2.15
	-5.0	7.08	1.95	7.05	2.05	7.01	2.15	7.00	2.20	6.98	2.25	6.95	2.36
7+7+7+18	0.0	8.16	2.15	8.12	2.25	8.09	2.35	7.93	2.30	7.77	2.24	7.44	2.12
	6.0	8.95	2.02	8.52	1.93	8.09	1.84	7.93	1.79	7.77	1.75	7.44	1.65
	10.0	8.95	1.86	8.52	1.78	8.09	1.69	7.93	1.65	7.77	1.61	7.44	1.52
	15.0	8.95	1.66	8.52	1.58	8.09	1.51	7.93	1.47	7.77	1.43	7.44	1.36
	-15.0	4.92	1.55	4.89	1.65	4.85	1.75	4.84	1.80	4.82	1.85	4.79	1.95
	-10.0	6.00	1.75	5.97	1.85	5.93	1.95	5.92	2.00	5.90	2.05	5.87	2.15

Note

1. DB : Dry bulb temperature(°C), WB : Wet bulb temperature(°C)
2. TC : Total capacity(kW)
3. PI : Power Input (kW, Compressor + indoor fan motor + outdoor fan motor)
4. All capacities are net. A deduction (cooling mode) or an addition (heating mode) of Capacity due to operating heat of indoor unit motor is reflected.
5. Capacities are based on the following conditions ;
 - Interconnecting Piping Length (Both Main pipe and Branch pipe) is standard length.
 - Difference of Elevation (Outdoor ~ Indoor Unit) is 0 m.
6. Direct interpolation is permissible. Do not extrapolate.
7. Rated capacities and power inputs are based on standard temperature and piping conditions, and it can be found on specifications table. Except for rated value, the performance is not guaranteed.
8. In accordance with the test standard(or nations) and indoor unit's combinations, the rating will vary slightly.

5. Capacity tables

5.6 Z4UW27GFA0 [MU4R27 U40]

◆ Cooling Capacity

Cooling Capacity [-27G-]

Combination capacity index (kbtu/h)	Outdoor Air Temp. (°CDB)	Indoor Air Temp. (°CWB)											
		14		16		18		19		22		24	
		TC	PI	TC	PI	TC	PI	TC	PI	TC	PI	TC	PI
1 Unit Operation													
5	22	1.03	0.20	1.29	0.26	1.48	0.33	1.63	0.34	1.78	0.35	1.90	0.35
	25	0.97	0.22	1.23	0.29	1.43	0.35	1.58	0.37	1.73	0.38	1.84	0.38
	32	0.89	0.25	1.15	0.32	1.35	0.39	1.50	0.40	1.65	0.42	1.76	0.42
	35	0.86	0.26	1.12	0.33	1.32	0.41	1.47	0.42	1.62	0.43	1.73	0.43
	40	0.80	0.28	1.06	0.35	1.26	0.43	1.41	0.44	1.56	0.46	1.67	0.46
	43	0.77	0.30	1.03	0.36	1.23	0.45	1.38	0.46	1.53	0.47	1.64	0.47
7	22	1.44	0.31	1.00	0.38	1.19	0.46	1.36	0.48	1.51	0.49	1.63	0.49
	25	1.36	0.26	1.72	0.34	2.00	0.42	2.21	0.43	2.42	0.45	2.58	0.45
	32	1.25	0.29	1.61	0.37	1.89	0.46	2.10	0.48	2.31	0.49	2.47	0.49
	35	1.20	0.31	1.57	0.39	1.84	0.48	2.05	0.49	2.26	0.51	2.42	0.51
	40	1.13	0.34	1.49	0.41	1.76	0.51	1.97	0.52	2.18	0.54	2.34	0.54
	43	1.08	0.35	1.44	0.43	1.72	0.53	1.93	0.54	2.14	0.56	2.30	0.56
9	22	1.85	0.37	1.39	0.45	1.67	0.55	1.90	0.56	2.12	0.58	2.28	0.58
	25	1.75	0.32	2.22	0.42	2.57	0.52	2.84	0.54	3.11	0.56	3.31	0.56
	32	1.61	0.37	2.07	0.47	2.43	0.58	2.70	0.59	2.97	0.61	3.17	0.62
	35	1.55	0.39	2.01	0.49	2.37	0.60	2.64	0.62	2.91	0.64	3.11	0.64
	40	1.45	0.42	1.91	0.52	2.27	0.64	2.54	0.66	2.81	0.67	3.01	0.68
	43	1.39	0.44	1.85	0.54	2.21	0.66	2.48	0.68	2.75	0.70	2.95	0.70
12	22	2.47	0.40	3.09	0.53	3.56	0.66	3.92	0.69	4.28	0.71	4.55	0.72
	25	2.33	0.44	2.95	0.58	3.43	0.72	3.79	0.74	4.14	0.77	4.42	0.77
	32	2.14	0.50	2.77	0.64	3.24	0.79	3.60	0.81	3.96	0.84	4.23	0.84
	35	2.06	0.53	2.69	0.67	3.16	0.82	3.52	0.85	3.88	0.87	4.15	0.88
	40	1.93	0.57	2.55	0.71	3.02	0.87	3.38	0.90	3.74	0.92	4.02	0.93
	43	1.85	0.60	2.47	0.74	2.94	0.90	3.30	0.93	3.66	0.96	3.93	0.96
15	22	3.70	0.63	4.63	0.84	5.34	1.04	5.88	1.08	6.42	1.12	6.83	1.13
	25	3.50	0.69	4.43	0.91	5.14	1.12	5.68	1.16	6.22	1.20	6.63	1.21
	32	3.22	0.79	4.15	1.00	4.86	1.24	5.40	1.28	5.93	1.32	6.34	1.33
	35	3.10	0.83	4.03	1.04	4.74	1.29	5.28	1.33	5.81	1.37	6.22	1.38
	40	2.90	0.90	3.83	1.11	4.54	1.37	5.07	1.41	5.61	1.45	6.02	1.46
	43	2.77	0.94	3.71	1.16	4.42	1.42	4.95	1.46	5.49	1.50	5.90	1.51
18	22	4.93	0.86	6.18	1.14	7.12	1.42	7.84	1.48	8.56	1.53	9.10	1.54
	25	4.67	0.95	5.91	1.24	6.85	1.53	7.57	1.59	8.29	1.64	8.83	1.65
	32	4.29	1.08	5.53	1.37	6.48	1.69	7.19	1.75	7.91	1.80	8.46	1.81
	35	4.13	1.14	5.37	1.43	6.32	1.76	7.03	1.81	7.75	1.87	8.30	1.88
	40	3.86	1.23	5.10	1.52	6.05	1.87	6.77	1.93	7.48	1.98	8.03	1.99
	43	3.70	1.29	4.94	1.58	5.89	1.94	6.60	2.00	7.32	2.05	7.87	2.06
24	22	3.54	1.35	4.78	1.64	5.73	2.01	6.52	2.06	7.25	2.12	7.81	2.13
	25	3.50	1.35	4.78	1.64	5.73	2.01	6.52	2.06	7.25	2.12	7.81	2.13
	32	3.22	1.45	4.45	1.74	5.45	2.10	6.24	2.15	6.97	2.21	7.54	2.22
	35	3.10	1.49	4.33	1.79	5.33	2.14	6.12	2.19	6.85	2.26	7.42	2.27
	40	2.90	1.56	4.13	1.87	5.13	2.22	5.92	2.27	6.64	2.33	7.22	2.34
	43	2.77	1.60	4.01	1.91	5.01	2.26	5.80	2.31	6.52	2.37	7.10	2.38
2 Units Operation													
5+5	22	2.06	0.30	2.57	0.39	2.97	0.49	3.27	0.51	3.57	0.53	3.79	0.53
	25	1.94	0.33	2.46	0.43	2.86	0.53	3.15	0.55	3.45	0.56	3.68	0.57
	32	1.79	0.37	2.31	0.47	2.70	0.58	3.00	0.60	3.30	0.62	3.52	0.62
	35	1.72	0.39	2.24	0.49	2.63	0.60	2.93	0.62	3.23	0.64	3.46	0.65
	40	1.61	0.42	2.13	0.52	2.52	0.64	2.82	0.66	3.12	0.68	3.35	0.68
	43	1.54	0.44	2.06	0.54	2.45	0.67	2.75	0.69	3.05	0.70	3.28	0.71
5+7	22	2.47	0.36	3.09	0.48	3.56	0.60	3.92	0.62	4.28	0.64	4.55	0.65
	25	2.33	0.40	2.95	0.52	3.43	0.64	3.79	0.67	4.14	0.69	4.42	0.69
	32	2.14	0.45	2.77	0.58	3.24	0.71	3.60	0.73	3.96	0.76	4.23	0.76
	35	2.06	0.48	2.69	0.60	3.16	0.74	3.52	0.76	3.88	0.78	4.15	0.79
	40	1.93	0.52	2.55	0.64	3.02	0.79	3.38	0.81	3.74	0.83	4.02	0.84
	43	1.85	0.54	2.47	0.66	2.94	0.81	3.30	0.84	3.66	0.86	3.93	0.86
46	1.77	0.57	2.39	0.69	2.86	0.84	3.26	0.87	3.63	0.89	3.90	0.89	

5. Capacity tables

Cooling Capacity [-27G-]

Combination capacity index (kBtu/h)	Outdoor Air Temp. (°CDB)	Indoor Air Temp. (°CWB)											
		14		16		18		19		22		24	
		TC	PI	TC	PI	TC	PI	TC	PI	TC	PI	TC	PI
5+9	22	2.88	0.43	3.60	0.57	4.15	0.71	4.57	0.73	4.99	0.76	5.31	0.77
	25	2.72	0.47	3.45	0.62	4.00	0.76	4.42	0.79	4.83	0.82	5.15	0.82
	32	2.50	0.54	3.23	0.68	3.78	0.84	4.20	0.87	4.62	0.90	4.93	0.90
	35	2.41	0.57	3.13	0.71	3.68	0.88	4.10	0.90	4.52	0.93	4.84	0.94
	40	2.25	0.61	2.98	0.76	3.53	0.93	3.95	0.96	4.37	0.99	4.68	0.99
	43	2.16	0.64	2.88	0.79	3.43	0.97	3.85	0.99	4.27	1.02	4.59	1.03
	46	2.06	0.67	2.79	0.81	3.34	1.00	3.81	1.03	4.23	1.05	4.55	1.06
7+7	22	2.88	0.43	3.60	0.57	4.15	0.71	4.57	0.73	4.99	0.76	5.31	0.77
	25	2.72	0.47	3.45	0.62	4.00	0.76	4.42	0.79	4.83	0.82	5.15	0.82
	32	2.50	0.54	3.23	0.68	3.78	0.84	4.20	0.87	4.62	0.90	4.93	0.90
	35	2.41	0.57	3.13	0.71	3.68	0.88	4.10	0.90	4.52	0.93	4.84	0.94
	40	2.25	0.61	2.98	0.76	3.53	0.93	3.95	0.96	4.37	0.99	4.68	0.99
	43	2.16	0.64	2.88	0.79	3.43	0.97	3.85	0.99	4.27	1.02	4.59	1.03
	46	2.06	0.67	2.79	0.81	3.34	1.00	3.81	1.03	4.23	1.05	4.55	1.06
7+9	22	3.29	0.50	4.12	0.66	4.75	0.82	5.23	0.85	5.70	0.88	6.07	0.89
	25	3.11	0.55	3.94	0.71	4.57	0.89	5.05	0.92	5.53	0.95	5.89	0.95
	32	2.86	0.62	3.69	0.79	4.32	0.98	4.80	1.01	5.28	1.04	5.64	1.05
	35	2.75	0.66	3.58	0.82	4.21	1.02	4.69	1.05	5.17	1.08	5.53	1.09
	40	2.57	0.71	3.40	0.88	4.03	1.08	4.51	1.11	4.99	1.14	5.35	1.15
	43	2.47	0.74	3.29	0.91	3.92	1.12	4.40	1.15	4.88	1.18	5.25	1.19
	46	2.36	0.78	3.19	0.94	3.82	1.16	4.35	1.19	4.83	1.22	5.20	1.23
5+12	22	3.49	0.53	4.37	0.71	5.04	0.88	5.55	0.91	6.06	0.95	6.45	0.95
	25	3.30	0.58	4.18	0.76	4.85	0.95	5.36	0.98	5.87	1.01	6.26	1.02
	32	3.04	0.67	3.92	0.85	4.59	1.05	5.10	1.08	5.61	1.11	5.99	1.12
	35	2.92	0.70	3.80	0.88	4.47	1.09	4.98	1.12	5.49	1.15	5.88	1.16
	40	2.73	0.76	3.61	0.94	4.28	1.16	4.79	1.19	5.30	1.22	5.69	1.23
	43	2.62	0.80	3.50	0.98	4.17	1.20	4.68	1.23	5.19	1.27	5.57	1.27
	46	2.51	0.83	3.39	1.01	4.06	1.24	4.62	1.27	5.14	1.31	5.53	1.31
9+9	22	3.70	0.57	4.63	0.75	5.34	0.94	5.88	0.97	6.42	1.01	6.83	1.01
	25	3.50	0.62	4.43	0.82	5.14	1.01	5.68	1.05	6.22	1.08	6.63	1.09
	32	3.22	0.71	4.15	0.90	4.86	1.11	5.40	1.15	5.93	1.19	6.34	1.19
	35	3.10	0.75	4.03	0.94	4.74	1.16	5.28	1.20	5.81	1.23	6.22	1.24
	40	2.90	0.81	3.83	1.00	4.54	1.23	5.07	1.27	5.61	1.31	6.02	1.31
	43	2.77	0.85	3.71	1.04	4.42	1.28	4.95	1.31	5.49	1.35	5.90	1.36
	46	2.65	0.89	3.59	1.08	4.29	1.32	4.89	1.36	5.44	1.40	5.85	1.40
7+12	22	3.91	0.60	4.89	0.80	5.64	0.99	6.21	1.03	6.77	1.07	7.21	1.08
	25	3.69	0.66	4.68	0.87	5.42	1.07	5.99	1.11	6.56	1.15	6.99	1.16
	32	3.40	0.76	4.38	0.96	5.13	1.18	5.70	1.22	6.26	1.26	6.70	1.27
	35	3.27	0.80	4.25	1.00	5.00	1.23	5.57	1.27	6.14	1.31	6.57	1.32
	40	3.06	0.86	4.04	1.07	4.79	1.31	5.36	1.35	5.92	1.39	6.36	1.40
	43	2.93	0.90	3.91	1.11	4.66	1.36	5.23	1.40	5.80	1.44	6.23	1.44
	46	2.80	0.94	3.79	1.15	4.53	1.41	5.17	1.44	5.74	1.48	6.18	1.49
5+15	22	4.11	0.64	5.15	0.85	5.93	1.05	6.53	1.09	7.13	1.14	7.59	1.14
	25	3.89	0.70	4.92	0.92	5.71	1.14	6.31	1.18	6.91	1.22	7.36	1.23
	32	3.57	0.80	4.61	1.02	5.40	1.26	6.00	1.30	6.59	1.34	7.05	1.34
	35	3.44	0.84	4.48	1.06	5.26	1.31	5.86	1.35	6.46	1.39	6.92	1.40
	40	3.22	0.91	4.25	1.13	5.04	1.39	5.64	1.43	6.24	1.47	6.69	1.48
	43	3.08	0.96	4.12	1.17	4.91	1.44	5.50	1.48	6.10	1.52	6.56	1.53
	46	2.95	1.00	3.98	1.21	4.77	1.49	5.44	1.53	6.04	1.57	6.50	1.58
9+12	22	4.32	0.68	5.40	0.90	6.23	1.11	6.86	1.16	7.49	1.20	7.96	1.21
	25	4.08	0.74	5.17	0.97	6.00	1.20	6.62	1.25	7.25	1.29	7.73	1.30
	32	3.75	0.85	4.84	1.08	5.67	1.33	6.30	1.37	6.92	1.41	7.40	1.42
	35	3.61	0.89	4.70	1.12	5.53	1.38	6.15	1.42	6.78	1.47	7.26	1.47
	40	3.38	0.97	4.47	1.19	5.29	1.47	5.92	1.51	6.55	1.56	7.03	1.56
	43	3.24	1.01	4.32	1.24	5.15	1.52	5.78	1.57	6.41	1.61	6.89	1.62
	46	3.10	1.06	4.18	1.28	5.01	1.58	5.71	1.62	6.35	1.66	6.83	1.67
7+15	22	4.52	0.70	5.66	0.93	6.53	1.16	7.19	1.20	7.84	1.24	8.34	1.25
	25	4.28	0.77	5.42	1.01	6.28	1.25	6.94	1.29	7.60	1.34	8.10	1.34
	32	3.93	0.88	5.07	1.11	5.94	1.38	6.60	1.42	7.25	1.46	7.75	1.47
	35	3.78	0.92	4.92	1.16	5.79	1.43	6.45	1.48	7.11	1.52	7.61	1.53
	40	3.54	1.00	4.68	1.24	5.54	1.52	6.20	1.57	6.86	1.61	7.36	1.62
	43	3.39	1.05	4.53	1.28	5.40	1.58	6.05	1.62	6.71	1.67	7.21	1.68
	46	3.24	1.10	4.38	1.33	5.25	1.63	5.98	1.68	6.65	1.72	7.15	1.73
5+18	22	4.73	0.74	5.92	0.98	6.82	1.22	7.51	1.26	8.20	1.31	8.72	1.32
	25	4.47	0.81	5.66	1.06	6.57	1.31	7.25	1.36	7.94	1.41	8.47	1.42
	32	4.11	0.93	5.30	1.17	6.21	1.45	6.90	1.50	7.58	1.54	8.11	1.55
	35	3.96	0.97	5.15	1.22	6.05	1.51	6.74	1.55	7.43	1.60	7.95	1.61
	40	3.70	1.06	4.89	1.30	5.80	1.60	6.48	1.65	7.17	1.70	7.70	1.71
	43	3.55	1.10	4.74	1.35	5.64	1.66	6.33	1.71	7.02	1.76	7.54	1.76
	46	3.39	1.15	4.58	1.40	5.49	1.72	6.25	1.77	6.95	1.81	7.48	1.82

5. Capacity tables

Cooling Capacity [-27G-]

Combination capacity index (kBTu/h)	Outdoor Air Temp. (°CDB)	Indoor Air Temp. (°CWB)											
		14		16		18		19		22		24	
		TC	PI	TC	PI	TC	PI	TC	PI	TC	PI	TC	PI
9+15	22	4.93	0.78	6.18	1.03	7.12	1.28	7.84	1.33	8.56	1.38	9.10	1.39
	25	4.67	0.85	5.91	1.11	6.85	1.38	7.57	1.43	8.29	1.48	8.83	1.49
	32	4.29	0.97	5.53	1.23	6.48	1.52	7.19	1.57	7.91	1.62	8.46	1.63
	35	4.13	1.02	5.37	1.29	6.32	1.58	7.03	1.63	7.75	1.68	8.30	1.69
	40	3.86	1.11	5.10	1.37	6.05	1.69	6.77	1.73	7.48	1.78	8.03	1.79
	43	3.70	1.16	4.94	1.42	5.89	1.75	6.60	1.80	7.32	1.85	7.87	1.85
	46	3.54	1.21	4.78	1.47	5.73	1.81	6.52	1.86	7.25	1.91	7.81	1.92
12+12	22	4.93	0.78	6.18	1.03	7.12	1.28	7.84	1.33	8.56	1.38	9.10	1.39
	25	4.67	0.85	5.91	1.11	6.85	1.38	7.57	1.43	8.29	1.48	8.83	1.49
	32	4.29	0.97	5.53	1.23	6.48	1.52	7.19	1.57	7.91	1.62	8.46	1.63
	35	4.13	1.02	5.37	1.29	6.32	1.58	7.03	1.63	7.75	1.68	8.30	1.69
	40	3.86	1.11	5.10	1.37	6.05	1.69	6.77	1.73	7.48	1.78	8.03	1.79
	43	3.70	1.16	4.94	1.42	5.89	1.75	6.60	1.80	7.32	1.85	7.87	1.85
	46	3.54	1.21	4.78	1.47	5.73	1.81	6.52	1.86	7.25	1.91	7.81	1.92
7+18	22	5.14	0.84	6.43	1.11	7.42	1.37	8.17	1.43	8.91	1.48	9.48	1.49
	25	4.86	0.92	6.15	1.20	7.14	1.48	7.89	1.54	8.63	1.59	9.20	1.60
	32	4.47	1.05	5.76	1.33	6.75	1.64	7.49	1.69	8.24	1.74	8.81	1.75
	35	4.30	1.10	5.60	1.38	6.58	1.70	7.33	1.76	8.08	1.81	8.64	1.82
	40	4.02	1.19	5.32	1.47	6.30	1.81	7.05	1.86	7.80	1.92	8.36	1.93
	43	3.85	1.25	5.15	1.53	6.13	1.88	6.88	1.93	7.63	1.98	8.20	1.99
	46	3.69	1.30	4.98	1.58	5.96	1.94	6.80	2.00	7.55	2.05	8.13	2.06
9+18	22	5.55	0.96	6.95	1.27	8.01	1.57	8.82	1.63	9.63	1.70	10.24	1.71
	25	5.25	1.05	6.65	1.37	7.71	1.70	8.52	1.76	9.32	1.82	9.94	1.83
	32	4.83	1.20	6.22	1.52	7.29	1.87	8.09	1.94	8.90	2.00	9.52	2.01
	35	4.65	1.26	6.04	1.58	7.11	1.95	7.91	2.01	8.72	2.07	9.34	2.08
	40	4.34	1.37	5.74	1.69	6.80	2.08	7.61	2.14	8.42	2.20	9.03	2.21
	43	4.16	1.43	5.56	1.75	6.62	2.15	7.43	2.21	8.24	2.27	8.85	2.28
	46	3.98	1.49	5.38	1.81	6.44	2.23	7.34	2.29	8.16	2.35	8.78	2.36
12+15	22	5.55	0.96	6.95	1.27	8.01	1.57	8.82	1.63	9.63	1.70	10.24	1.71
	25	5.25	1.05	6.65	1.37	7.71	1.70	8.52	1.76	9.32	1.82	9.94	1.83
	32	4.83	1.20	6.22	1.52	7.29	1.87	8.09	1.94	8.90	2.00	9.52	2.01
	35	4.65	1.26	6.04	1.58	7.11	1.95	7.91	2.01	8.72	2.07	9.34	2.08
	40	4.34	1.37	5.74	1.69	6.80	2.08	7.61	2.14	8.42	2.20	9.03	2.21
	43	4.16	1.43	5.56	1.75	6.62	2.15	7.43	2.21	8.24	2.27	8.85	2.28
	46	3.98	1.49	5.38	1.81	6.44	2.23	7.34	2.29	8.16	2.35	8.78	2.36
5+24	22	5.55	0.96	6.95	1.27	8.01	1.57	8.82	1.63	9.63	1.70	10.24	1.71
	25	5.25	1.05	6.65	1.37	7.71	1.70	8.52	1.76	9.32	1.82	9.94	1.83
	32	4.83	1.20	6.22	1.52	7.29	1.87	8.09	1.94	8.90	2.00	9.52	2.01
	35	4.65	1.26	6.04	1.58	7.11	1.95	7.91	2.01	8.72	2.07	9.34	2.08
	40	4.34	1.37	5.74	1.69	6.80	2.08	7.61	2.14	8.42	2.20	9.03	2.21
	43	4.16	1.43	5.56	1.75	6.62	2.15	7.43	2.21	8.24	2.27	8.85	2.28
	46	3.98	1.49	5.38	1.81	6.44	2.23	7.34	2.29	8.16	2.35	8.78	2.36
12+18	22	5.55	0.96	6.95	1.27	8.01	1.57	8.82	1.63	9.63	1.70	10.24	1.71
	25	5.25	1.05	6.65	1.37	7.71	1.70	8.52	1.76	9.32	1.82	9.94	1.83
	32	4.83	1.20	6.22	1.52	7.29	1.87	8.09	1.94	8.90	2.00	9.52	2.01
	35	4.65	1.26	6.04	1.58	7.11	1.95	7.91	2.01	8.72	2.07	9.34	2.08
	40	4.34	1.37	5.74	1.69	6.80	2.08	7.61	2.14	8.42	2.20	9.03	2.21
	43	4.16	1.43	5.56	1.75	6.62	2.15	7.43	2.21	8.24	2.27	8.85	2.28
	46	3.98	1.49	5.38	1.81	6.44	2.23	7.34	2.29	8.16	2.35	8.78	2.36
15+15	22	5.55	0.96	6.95	1.27	8.01	1.57	8.82	1.63	9.63	1.70	10.24	1.71
	25	5.25	1.05	6.65	1.37	7.71	1.70	8.52	1.76	9.32	1.82	9.94	1.83
	32	4.83	1.20	6.22	1.52	7.29	1.87	8.09	1.94	8.90	2.00	9.52	2.01
	35	4.65	1.26	6.04	1.58	7.11	1.95	7.91	2.01	8.72	2.07	9.34	2.08
	40	4.34	1.37	5.74	1.69	6.80	2.08	7.61	2.14	8.42	2.20	9.03	2.21
	43	4.16	1.43	5.56	1.75	6.62	2.15	7.43	2.21	8.24	2.27	8.85	2.28
	46	3.98	1.49	5.38	1.81	6.44	2.23	7.34	2.29	8.16	2.35	8.78	2.36
7+24	22	5.55	0.96	6.95	1.27	8.01	1.57	8.82	1.63	9.63	1.70	10.24	1.71
	25	5.25	1.05	6.65	1.37	7.71	1.70	8.52	1.76	9.32	1.82	9.94	1.83
	32	4.83	1.20	6.22	1.52	7.29	1.87	8.09	1.94	8.90	2.00	9.52	2.01
	35	4.65	1.26	6.04	1.58	7.11	1.95	7.91	2.01	8.72	2.07	9.34	2.08
	40	4.34	1.37	5.74	1.69	6.80	2.08	7.61	2.14	8.42	2.20	9.03	2.21
	43	4.16	1.43	5.56	1.75	6.62	2.15	7.43	2.21	8.24	2.27	8.85	2.28
	46	3.98	1.49	5.38	1.81	6.44	2.23	7.34	2.29	8.16	2.35	8.78	2.36
9+24	22	5.55	0.96	6.95	1.27	8.01	1.57	8.82	1.63	9.63	1.70	10.24	1.71
	25	5.25	1.05	6.65	1.37	7.71	1.70	8.52	1.76	9.32	1.82	9.94	1.83
	32	4.83	1.20	6.22	1.52	7.29	1.87	8.09	1.94	8.90	2.00	9.52	2.01
	35	4.65	1.26	6.04	1.58	7.11	1.95	7.91	2.01	8.72	2.07	9.34	2.08
	40	4.34	1.37	5.74	1.69	6.80	2.08	7.61	2.14	8.42	2.20	9.03	2.21
	43	4.16	1.43	5.56	1.75	6.62	2.15	7.43	2.21	8.24	2.27	8.85	2.28
	46	3.98	1.49	5.38	1.81	6.44	2.23	7.34	2.29	8.16	2.35	8.78	2.36

5. Capacity tables

Cooling Capacity [-27G-]

Combination capacity index (kBtu/h)	Outdoor Air Temp. (°CDB)	Indoor Air Temp. (°CWB)											
		14		16		18		19		22		24	
		TC	PI	TC	PI	TC	PI	TC	PI	TC	PI	TC	PI
15+18	22	5.55	0.96	6.95	1.27	8.01	1.57	8.82	1.63	9.63	1.70	10.24	1.71
	25	5.25	1.05	6.65	1.37	7.71	1.70	8.52	1.76	9.32	1.82	9.94	1.83
	32	4.83	1.20	6.22	1.52	7.29	1.87	8.09	1.94	8.90	2.00	9.52	2.01
	35	4.65	1.26	6.04	1.58	7.11	1.95	7.91	2.01	8.72	2.07	9.34	2.08
	40	4.34	1.37	5.74	1.69	6.80	2.08	7.61	2.14	8.42	2.20	9.03	2.21
	43	4.16	1.43	5.56	1.75	6.62	2.15	7.43	2.21	8.24	2.27	8.85	2.28
	46	3.98	1.49	5.38	1.81	6.44	2.23	7.34	2.29	8.16	2.35	8.78	2.36
18+18	22	5.55	0.96	6.95	1.27	8.01	1.57	8.82	1.63	9.63	1.70	10.24	1.71
	25	5.25	1.05	6.65	1.37	7.71	1.70	8.52	1.76	9.32	1.82	9.94	1.83
	32	4.83	1.20	6.22	1.52	7.29	1.87	8.09	1.94	8.90	2.00	9.52	2.01
	35	4.65	1.26	6.04	1.58	7.11	1.95	7.91	2.01	8.72	2.07	9.34	2.08
	40	4.34	1.37	5.74	1.69	6.80	2.08	7.61	2.14	8.42	2.20	9.03	2.21
	43	4.16	1.43	5.56	1.75	6.62	2.15	7.43	2.21	8.24	2.27	8.85	2.28
	46	3.98	1.49	5.38	1.81	6.44	2.23	7.34	2.29	8.16	2.35	8.78	2.36
12+24	22	5.55	0.96	6.95	1.27	8.01	1.57	8.82	1.63	9.63	1.70	10.24	1.71
	25	5.25	1.05	6.65	1.37	7.71	1.70	8.52	1.76	9.32	1.82	9.94	1.83
	32	4.83	1.20	6.22	1.52	7.29	1.87	8.09	1.94	8.90	2.00	9.52	2.01
	35	4.65	1.26	6.04	1.58	7.11	1.95	7.91	2.01	8.72	2.07	9.34	2.08
	40	4.34	1.37	5.74	1.69	6.80	2.08	7.61	2.14	8.42	2.20	9.03	2.21
	43	4.16	1.43	5.56	1.75	6.62	2.15	7.43	2.21	8.24	2.27	8.85	2.28
	46	3.98	1.49	5.38	1.81	6.44	2.23	7.34	2.29	8.16	2.35	8.78	2.36
15+24	22	5.55	0.96	6.95	1.27	8.01	1.57	8.82	1.63	9.63	1.70	10.24	1.71
	25	5.25	1.05	6.65	1.37	7.71	1.70	8.52	1.76	9.32	1.82	9.94	1.83
	32	4.83	1.20	6.22	1.52	7.29	1.87	8.09	1.94	8.90	2.00	9.52	2.01
	35	4.65	1.26	6.04	1.58	7.11	1.95	7.91	2.01	8.72	2.07	9.34	2.08
	40	4.34	1.37	5.74	1.69	6.80	2.08	7.61	2.14	8.42	2.20	9.03	2.21
	43	4.16	1.43	5.56	1.75	6.62	2.15	7.43	2.21	8.24	2.27	8.85	2.28
	46	3.98	1.49	5.38	1.81	6.44	2.23	7.34	2.29	8.16	2.35	8.78	2.36
3 Units Operation													
5+5+5	22	3.08	0.44	3.86	0.58	4.45	0.72	4.90	0.74	5.35	0.77	5.69	0.78
	25	2.92	0.48	3.69	0.62	4.28	0.77	4.73	0.80	5.18	0.83	5.52	0.83
	32	2.68	0.55	3.46	0.69	4.05	0.85	4.50	0.88	4.95	0.91	5.29	0.91
	35	2.58	0.57	3.36	0.72	3.95	0.89	4.40	0.92	4.85	0.94	5.19	0.95
	40	2.41	0.62	3.19	0.77	3.78	0.95	4.23	0.97	4.68	1.00	5.02	1.01
	43	2.31	0.65	3.09	0.80	3.68	0.98	4.13	1.01	4.58	1.03	4.92	1.04
	46	2.21	0.68	2.99	0.83	3.58	1.01	4.08	1.04	4.53	1.07	4.88	1.07
5+5+7	22	3.49	0.50	4.37	0.66	5.04	0.82	5.55	0.86	6.06	0.89	6.45	0.89
	25	3.30	0.55	4.18	0.72	4.85	0.89	5.36	0.92	5.87	0.95	6.26	0.96
	32	3.04	0.63	3.92	0.80	4.59	0.98	5.10	1.01	5.61	1.05	5.99	1.05
	35	2.92	0.66	3.80	0.83	4.47	1.02	4.98	1.05	5.49	1.09	5.88	1.09
	40	2.73	0.72	3.61	0.88	4.28	1.09	4.79	1.12	5.30	1.15	5.69	1.16
	43	2.62	0.75	3.50	0.92	4.17	1.13	4.68	1.16	5.19	1.19	5.57	1.20
	46	2.51	0.78	3.39	0.95	4.06	1.17	4.62	1.20	5.14	1.23	5.53	1.24
5+5+9	22	3.91	0.57	4.89	0.75	5.64	0.94	6.21	0.97	6.77	1.01	7.21	1.01
	25	3.69	0.62	4.68	0.81	5.42	1.01	5.99	1.05	6.56	1.08	6.99	1.09
	32	3.40	0.71	4.38	0.90	5.13	1.11	5.70	1.15	6.26	1.19	6.70	1.19
	35	3.27	0.75	4.25	0.94	5.00	1.16	5.57	1.19	6.14	1.23	6.57	1.24
	40	3.06	0.81	4.04	1.00	4.79	1.23	5.36	1.27	5.92	1.30	6.36	1.31
	43	2.93	0.85	3.91	1.04	4.66	1.28	5.23	1.31	5.80	1.35	6.23	1.36
	46	2.80	0.89	3.79	1.08	4.53	1.32	5.17	1.36	5.74	1.39	6.18	1.40
5+7+7	22	3.91	0.57	4.89	0.75	5.64	0.94	6.21	0.97	6.77	1.01	7.21	1.01
	25	3.69	0.62	4.68	0.81	5.42	1.01	5.99	1.05	6.56	1.08	6.99	1.09
	32	3.40	0.71	4.38	0.90	5.13	1.11	5.70	1.15	6.26	1.19	6.70	1.19
	35	3.27	0.75	4.25	0.94	5.00	1.16	5.57	1.19	6.14	1.23	6.57	1.24
	40	3.06	0.81	4.04	1.00	4.79	1.23	5.36	1.27	5.92	1.30	6.36	1.31
	43	2.93	0.85	3.91	1.04	4.66	1.28	5.23	1.31	5.80	1.35	6.23	1.36
	46	2.80	0.89	3.79	1.08	4.53	1.32	5.17	1.36	5.74	1.39	6.18	1.40
5+7+9	22	4.32	0.64	5.40	0.84	6.23	1.05	6.86	1.09	7.49	1.13	7.96	1.14
	25	4.08	0.70	5.17	0.91	6.00	1.13	6.62	1.17	7.25	1.21	7.73	1.22
	32	3.75	0.80	4.84	1.01	5.67	1.25	6.30	1.29	6.92	1.33	7.40	1.34
	35	3.61	0.84	4.70	1.05	5.53	1.30	6.15	1.34	6.78	1.38	7.26	1.39
	40	3.38	0.91	4.47	1.12	5.29	1.38	5.92	1.42	6.55	1.46	7.03	1.47
	43	3.24	0.95	4.32	1.17	5.15	1.43	5.78	1.47	6.41	1.51	6.89	1.52
	46	3.10	0.99	4.18	1.21	5.01	1.48	5.71	1.52	6.35	1.56	6.83	1.57
7+7+7	22	4.32	0.64	5.40	0.84	6.23	1.05	6.86	1.09	7.49	1.13	7.96	1.14
	25	4.08	0.70	5.17	0.91	6.00	1.13	6.62	1.17	7.25	1.21	7.73	1.22
	32	3.75	0.80	4.84	1.01	5.67	1.25	6.30	1.29	6.92	1.33	7.40	1.34
	35	3.61	0.84	4.70	1.05	5.53	1.30	6.15	1.34	6.78	1.38	7.26	1.39
	40	3.38	0.91	4.47	1.12	5.29	1.38	5.92	1.42	6.55	1.46	7.03	1.47
	43	3.24	0.95	4.32	1.17	5.15	1.43	5.78	1.47	6.41	1.51	6.89	1.52
	46	3.10	0.99	4.18	1.21	5.01	1.48	5.71	1.52	6.35	1.56	6.83	1.57

5. Capacity tables

Cooling Capacity [-27G-]

Combination capacity index (kBTu/h)	Outdoor Air Temp. (°CDB)	Indoor Air Temp. (°CWB)											
		14		16		18		19		22		24	
		TC	PI	TC	PI	TC	PI	TC	PI	TC	PI	TC	PI
5+5+12	22	4.52	0.66	5.66	0.87	6.53	1.09	7.19	1.13	7.84	1.17	8.34	1.18
	25	4.28	0.72	5.42	0.95	6.28	1.17	6.94	1.21	7.60	1.26	8.10	1.26
	32	3.93	0.83	5.07	1.05	5.94	1.29	6.60	1.33	7.25	1.38	7.75	1.38
	35	3.78	0.87	4.92	1.09	5.79	1.34	6.45	1.39	7.11	1.43	7.61	1.44
	40	3.54	0.94	4.68	1.16	5.54	1.43	6.20	1.47	6.86	1.51	7.36	1.52
	43	3.39	0.99	4.53	1.21	5.40	1.48	6.05	1.53	6.71	1.57	7.21	1.58
	46	3.24	1.03	4.38	1.25	5.25	1.54	5.98	1.58	6.65	1.62	7.15	1.63
5+9+9	22	4.73	0.70	5.92	0.92	6.82	1.14	7.51	1.19	8.20	1.23	8.72	1.24
	25	4.47	0.76	5.66	1.00	6.57	1.23	7.25	1.28	7.94	1.32	8.47	1.33
	32	4.11	0.87	5.30	1.10	6.21	1.36	6.90	1.41	7.58	1.45	8.11	1.46
	35	3.96	0.92	5.15	1.15	6.05	1.42	6.74	1.46	7.43	1.50	7.95	1.51
	40	3.70	0.99	4.89	1.23	5.80	1.51	6.48	1.55	7.17	1.60	7.70	1.60
	43	3.55	1.04	4.74	1.27	5.64	1.56	6.33	1.61	7.02	1.65	7.54	1.66
	46	3.39	1.08	4.58	1.32	5.49	1.62	6.25	1.66	6.95	1.70	7.48	1.71
7+7+9	22	4.73	0.70	5.92	0.92	6.82	1.14	7.51	1.19	8.20	1.23	8.72	1.24
	25	4.47	0.76	5.66	1.00	6.57	1.23	7.25	1.28	7.94	1.32	8.47	1.33
	32	4.11	0.87	5.30	1.10	6.21	1.36	6.90	1.41	7.58	1.45	8.11	1.46
	35	3.96	0.92	5.15	1.15	6.05	1.42	6.74	1.46	7.43	1.50	7.95	1.51
	40	3.70	0.99	4.89	1.23	5.80	1.51	6.48	1.55	7.17	1.60	7.70	1.60
	43	3.55	1.04	4.74	1.27	5.64	1.56	6.33	1.61	7.02	1.65	7.54	1.66
	46	3.39	1.08	4.58	1.32	5.49	1.62	6.25	1.66	6.95	1.70	7.48	1.71
5+7+12	22	4.93	0.73	6.18	0.97	7.12	1.20	7.84	1.25	8.56	1.29	9.10	1.30
	25	4.67	0.80	5.91	1.05	6.85	1.30	7.57	1.34	8.29	1.39	8.83	1.40
	32	4.29	0.91	5.53	1.16	6.48	1.43	7.19	1.48	7.91	1.52	8.46	1.53
	35	4.13	0.96	5.37	1.21	6.32	1.49	7.03	1.54	7.75	1.58	8.30	1.59
	40	3.86	1.04	5.10	1.29	6.05	1.58	6.77	1.63	7.48	1.68	8.03	1.69
	43	3.70	1.09	4.94	1.34	5.89	1.64	6.60	1.69	7.32	1.73	7.87	1.74
	46	3.54	1.14	4.78	1.39	5.73	1.70	6.52	1.75	7.25	1.79	7.81	1.80
5+5+15	22	5.14	0.79	6.43	1.04	7.42	1.29	8.17	1.34	8.91	1.39	9.48	1.40
	25	4.86	0.86	6.15	1.13	7.14	1.39	7.89	1.44	8.63	1.49	9.20	1.50
	32	4.47	0.98	5.76	1.25	6.75	1.54	7.49	1.59	8.24	1.64	8.81	1.65
	35	4.30	1.03	5.60	1.30	6.58	1.60	7.33	1.65	8.08	1.70	8.64	1.71
	40	4.02	1.12	5.32	1.38	6.30	1.70	7.05	1.75	7.80	1.80	8.36	1.81
	43	3.85	1.17	5.15	1.44	6.13	1.76	6.88	1.81	7.63	1.86	8.20	1.87
	46	3.69	1.22	4.98	1.49	5.96	1.83	6.80	1.88	7.55	1.93	8.13	1.94
7+9+9	22	5.14	0.79	6.43	1.04	7.42	1.29	8.17	1.34	8.91	1.39	9.48	1.40
	25	4.86	0.86	6.15	1.13	7.14	1.39	7.89	1.44	8.63	1.49	9.20	1.50
	32	4.47	0.98	5.76	1.25	6.75	1.54	7.49	1.59	8.24	1.64	8.81	1.65
	35	4.30	1.03	5.60	1.30	6.58	1.60	7.33	1.65	8.08	1.70	8.64	1.71
	40	4.02	1.12	5.32	1.38	6.30	1.70	7.05	1.75	7.80	1.80	8.36	1.81
	43	3.85	1.17	5.15	1.44	6.13	1.76	6.88	1.81	7.63	1.86	8.20	1.87
	46	3.69	1.22	4.98	1.49	5.96	1.83	6.80	1.88	7.55	1.93	8.13	1.94
5+9+12	22	5.34	0.84	6.69	1.11	7.71	1.38	8.49	1.44	9.27	1.49	9.86	1.50
	25	5.05	0.92	6.40	1.21	7.42	1.49	8.20	1.55	8.98	1.60	9.57	1.61
	32	4.65	1.05	5.99	1.34	7.02	1.65	7.79	1.70	8.57	1.75	9.16	1.77
	35	4.47	1.11	5.82	1.39	6.84	1.71	7.62	1.77	8.40	1.82	8.99	1.83
	40	4.18	1.20	5.53	1.48	6.55	1.82	7.33	1.88	8.11	1.93	8.70	1.94
	43	4.01	1.26	5.35	1.54	6.38	1.89	7.16	1.94	7.93	2.00	8.52	2.01
	46	3.83	1.31	5.18	1.59	6.20	1.96	7.07	2.01	7.86	2.06	8.46	2.07
7+7+12	22	5.34	0.84	6.69	1.11	7.71	1.38	8.49	1.44	9.27	1.49	9.86	1.50
	25	5.05	0.92	6.40	1.21	7.42	1.49	8.20	1.55	8.98	1.60	9.57	1.61
	32	4.65	1.05	5.99	1.34	7.02	1.65	7.79	1.70	8.57	1.75	9.16	1.77
	35	4.47	1.11	5.82	1.39	6.84	1.71	7.62	1.77	8.40	1.82	8.99	1.83
	40	4.18	1.20	5.53	1.48	6.55	1.82	7.33	1.88	8.11	1.93	8.70	1.94
	43	4.01	1.26	5.35	1.54	6.38	1.89	7.16	1.94	7.93	2.00	8.52	2.01
	46	3.83	1.31	5.18	1.59	6.20	1.96	7.07	2.01	7.86	2.06	8.46	2.07
5+7+15	22	5.55	0.90	6.95	1.19	8.01	1.48	8.82	1.54	9.63	1.59	10.24	1.60
	25	5.25	0.99	6.65	1.29	7.71	1.60	8.52	1.65	9.32	1.71	9.94	1.72
	32	4.83	1.13	6.22	1.43	7.29	1.76	8.09	1.82	8.90	1.88	9.52	1.89
	35	4.65	1.18	6.04	1.49	7.11	1.83	7.91	1.89	8.72	1.95	9.34	1.96
	40	4.34	1.28	5.74	1.59	6.80	1.95	7.61	2.01	8.42	2.06	9.03	2.08
	43	4.16	1.34	5.56	1.65	6.62	2.02	7.43	2.08	8.24	2.14	8.85	2.15
	46	3.98	1.40	5.38	1.71	6.44	2.09	7.34	2.15	8.16	2.21	8.78	2.22
9+9+9	22	5.55	0.90	6.95	1.19	8.01	1.48	8.82	1.54	9.63	1.59	10.24	1.60
	25	5.25	0.99	6.65	1.29	7.71	1.60	8.52	1.65	9.32	1.71	9.94	1.72
	32	4.83	1.13	6.22	1.43	7.29	1.76	8.09	1.82	8.90	1.88	9.52	1.89
	35	4.65	1.18	6.04	1.49	7.11	1.83	7.91	1.89	8.72	1.95	9.34	1.96
	40	4.34	1.28	5.74	1.59	6.80	1.95	7.61	2.01	8.42	2.06	9.03	2.08
	43	4.16	1.34	5.56	1.65	6.62	2.02	7.43	2.08	8.24	2.14	8.85	2.15
	46	3.98	1.40	5.38	1.71	6.44	2.09	7.34	2.15	8.16	2.21	8.78	2.22

5. Capacity tables

Cooling Capacity [-27G-]

Combination capacity index (kBtu/h)	Outdoor Air Temp. (°CDB)	Indoor Air Temp. (°CWB)											
		14		16		18		19		22		24	
		TC	PI	TC	PI	TC	PI	TC	PI	TC	PI	TC	PI
7+9+12	22	5.55	0.90	6.95	1.19	8.01	1.48	8.82	1.54	9.63	1.59	10.24	1.60
	25	5.25	0.99	6.65	1.29	7.71	1.60	8.52	1.65	9.32	1.71	9.94	1.72
	32	4.83	1.13	6.22	1.43	7.29	1.76	8.09	1.82	8.90	1.88	9.52	1.89
	35	4.65	1.18	6.04	1.49	7.11	1.83	7.91	1.89	8.72	1.95	9.34	1.96
	40	4.34	1.28	5.74	1.59	6.80	1.95	7.61	2.01	8.42	2.06	9.03	2.08
	43	4.16	1.34	5.56	1.65	6.62	2.02	7.43	2.08	8.24	2.14	8.85	2.15
5+5+18	46	3.98	1.40	5.38	1.71	6.44	2.09	7.34	2.15	8.16	2.21	8.78	2.22
	22	5.55	0.90	6.95	1.19	8.01	1.48	8.82	1.54	9.63	1.59	10.24	1.60
	25	5.25	0.99	6.65	1.29	7.71	1.60	8.52	1.65	9.32	1.71	9.94	1.72
	32	4.83	1.13	6.22	1.43	7.29	1.76	8.09	1.82	8.90	1.88	9.52	1.89
	35	4.65	1.18	6.04	1.49	7.11	1.83	7.91	1.89	8.72	1.95	9.34	1.96
	40	4.34	1.28	5.74	1.59	6.80	1.95	7.61	2.01	8.42	2.06	9.03	2.08
5+9+15	43	4.16	1.34	5.56	1.65	6.62	2.02	7.43	2.08	8.24	2.14	8.85	2.15
	46	3.98	1.40	5.38	1.71	6.44	2.09	7.34	2.15	8.16	2.21	8.78	2.22
	22	5.55	0.90	6.95	1.19	8.01	1.48	8.82	1.54	9.63	1.59	10.24	1.60
	25	5.25	0.99	6.65	1.29	7.71	1.60	8.52	1.65	9.32	1.71	9.94	1.72
	32	4.83	1.13	6.22	1.43	7.29	1.76	8.09	1.82	8.90	1.88	9.52	1.89
	35	4.65	1.18	6.04	1.49	7.11	1.83	7.91	1.89	8.72	1.95	9.34	1.96
5+12+12	40	4.34	1.28	5.74	1.59	6.80	1.95	7.61	2.01	8.42	2.06	9.03	2.08
	43	4.16	1.34	5.56	1.65	6.62	2.02	7.43	2.08	8.24	2.14	8.85	2.15
	46	3.98	1.40	5.38	1.71	6.44	2.09	7.34	2.15	8.16	2.21	8.78	2.22
	22	5.55	0.90	6.95	1.19	8.01	1.48	8.82	1.54	9.63	1.59	10.24	1.60
	25	5.25	0.99	6.65	1.29	7.71	1.60	8.52	1.65	9.32	1.71	9.94	1.72
	32	4.83	1.13	6.22	1.43	7.29	1.76	8.09	1.82	8.90	1.88	9.52	1.89
7+7+15	35	4.65	1.18	6.04	1.49	7.11	1.83	7.91	1.89	8.72	1.95	9.34	1.96
	40	4.34	1.28	5.74	1.59	6.80	1.95	7.61	2.01	8.42	2.06	9.03	2.08
	43	4.16	1.34	5.56	1.65	6.62	2.02	7.43	2.08	8.24	2.14	8.85	2.15
	46	3.98	1.40	5.38	1.71	6.44	2.09	7.34	2.15	8.16	2.21	8.78	2.22
	22	5.55	0.90	6.95	1.19	8.01	1.48	8.82	1.54	9.63	1.59	10.24	1.60
	25	5.25	0.99	6.65	1.29	7.71	1.60	8.52	1.65	9.32	1.71	9.94	1.72
5+7+18	32	4.83	1.13	6.22	1.43	7.29	1.76	8.09	1.82	8.90	1.88	9.52	1.89
	35	4.65	1.18	6.04	1.49	7.11	1.83	7.91	1.89	8.72	1.95	9.34	1.96
	40	4.34	1.28	5.74	1.59	6.80	1.95	7.61	2.01	8.42	2.06	9.03	2.08
	43	4.16	1.34	5.56	1.65	6.62	2.02	7.43	2.08	8.24	2.14	8.85	2.15
	46	3.98	1.40	5.38	1.71	6.44	2.09	7.34	2.15	8.16	2.21	8.78	2.22
	22	5.55	0.90	6.95	1.19	8.01	1.48	8.82	1.54	9.63	1.59	10.24	1.60
9+9+12	25	5.25	0.99	6.65	1.29	7.71	1.60	8.52	1.65	9.32	1.71	9.94	1.72
	32	4.83	1.13	6.22	1.43	7.29	1.76	8.09	1.82	8.90	1.88	9.52	1.89
	35	4.65	1.18	6.04	1.49	7.11	1.83	7.91	1.89	8.72	1.95	9.34	1.96
	40	4.34	1.28	5.74	1.59	6.80	1.95	7.61	2.01	8.42	2.06	9.03	2.08
	43	4.16	1.34	5.56	1.65	6.62	2.02	7.43	2.08	8.24	2.14	8.85	2.15
	46	3.98	1.40	5.38	1.71	6.44	2.09	7.34	2.15	8.16	2.21	8.78	2.22
7+9+15	22	5.55	0.90	6.95	1.19	8.01	1.48	8.82	1.54	9.63	1.59	10.24	1.60
	25	5.25	0.99	6.65	1.29	7.71	1.60	8.52	1.65	9.32	1.71	9.94	1.72
	32	4.83	1.13	6.22	1.43	7.29	1.76	8.09	1.82	8.90	1.88	9.52	1.89
	35	4.65	1.18	6.04	1.49	7.11	1.83	7.91	1.89	8.72	1.95	9.34	1.96
	40	4.34	1.28	5.74	1.59	6.80	1.95	7.61	2.01	8.42	2.06	9.03	2.08
	43	4.16	1.34	5.56	1.65	6.62	2.02	7.43	2.08	8.24	2.14	8.85	2.15
7+12+12	46	3.98	1.40	5.38	1.71	6.44	2.09	7.34	2.15	8.16	2.21	8.78	2.22
	22	5.55	0.90	6.95	1.19	8.01	1.48	8.82	1.54	9.63	1.59	10.24	1.60
	25	5.25	0.99	6.65	1.29	7.71	1.60	8.52	1.65	9.32	1.71	9.94	1.72
	32	4.83	1.13	6.22	1.43	7.29	1.76	8.09	1.82	8.90	1.88	9.52	1.89
	35	4.65	1.18	6.04	1.49	7.11	1.83	7.91	1.89	8.72	1.95	9.34	1.96
	40	4.34	1.28	5.74	1.59	6.80	1.95	7.61	2.01	8.42	2.06	9.03	2.08
5+12+15	43	4.16	1.34	5.56	1.65	6.62	2.02	7.43	2.08	8.24	2.14	8.85	2.15
	46	3.98	1.40	5.38	1.71	6.44	2.09	7.34	2.15	8.16	2.21	8.78	2.22
	22	5.55	0.90	6.95	1.19	8.01	1.48	8.82	1.54	9.63	1.59	10.24	1.60
	25	5.25	0.99	6.65	1.29	7.71	1.60	8.52	1.65	9.32	1.71	9.94	1.72
	32	4.83	1.13	6.22	1.43	7.29	1.76	8.09	1.82	8.90	1.88	9.52	1.89
	35	4.65	1.18	6.04	1.49	7.11	1.83	7.91	1.89	8.72	1.95	9.34	1.96

5. Capacity tables

Cooling Capacity [-27G-]

Combination capacity index (kBTU/h)	Outdoor Air Temp. (°CDB)	Indoor Air Temp. (°CWB)											
		14		16		18		19		22		24	
		TC	PI	TC	PI	TC	PI	TC	PI	TC	PI	TC	PI
5+9+18	22	5.55	0.90	6.95	1.19	8.01	1.48	8.82	1.54	9.63	1.59	10.24	1.60
	25	5.25	0.99	6.65	1.29	7.71	1.60	8.52	1.65	9.32	1.71	9.94	1.72
	32	4.83	1.13	6.22	1.43	7.29	1.76	8.09	1.82	8.90	1.88	9.52	1.89
	35	4.65	1.18	6.04	1.49	7.11	1.83	7.91	1.89	8.72	1.95	9.34	1.96
	40	4.34	1.28	5.74	1.59	6.80	1.95	7.61	2.01	8.42	2.06	9.03	2.08
	43	4.16	1.34	5.56	1.65	6.62	2.02	7.43	2.08	8.24	2.14	8.85	2.15
7+7+18	46	3.98	1.40	5.38	1.71	6.44	2.09	7.34	2.15	8.16	2.21	8.78	2.22
	22	5.55	0.90	6.95	1.19	8.01	1.48	8.82	1.54	9.63	1.59	10.24	1.60
	25	5.25	0.99	6.65	1.29	7.71	1.60	8.52	1.65	9.32	1.71	9.94	1.72
	32	4.83	1.13	6.22	1.43	7.29	1.76	8.09	1.82	8.90	1.88	9.52	1.89
	35	4.65	1.18	6.04	1.49	7.11	1.83	7.91	1.89	8.72	1.95	9.34	1.96
	40	4.34	1.28	5.74	1.59	6.80	1.95	7.61	2.01	8.42	2.06	9.03	2.08
9+9+15	43	4.16	1.34	5.56	1.65	6.62	2.02	7.43	2.08	8.24	2.14	8.85	2.15
	46	3.98	1.40	5.38	1.71	6.44	2.09	7.34	2.15	8.16	2.21	8.78	2.22
	22	5.55	0.90	6.95	1.19	8.01	1.48	8.82	1.54	9.63	1.59	10.24	1.60
	25	5.25	0.99	6.65	1.29	7.71	1.60	8.52	1.65	9.32	1.71	9.94	1.72
	32	4.83	1.13	6.22	1.43	7.29	1.76	8.09	1.82	8.90	1.88	9.52	1.89
	35	4.65	1.18	6.04	1.49	7.11	1.83	7.91	1.89	8.72	1.95	9.34	1.96
9+12+12	40	4.34	1.28	5.74	1.59	6.80	1.95	7.61	2.01	8.42	2.06	9.03	2.08
	43	4.16	1.34	5.56	1.65	6.62	2.02	7.43	2.08	8.24	2.14	8.85	2.15
	46	3.98	1.40	5.38	1.71	6.44	2.09	7.34	2.15	8.16	2.21	8.78	2.22
	22	5.55	0.90	6.95	1.19	8.01	1.48	8.82	1.54	9.63	1.59	10.24	1.60
	25	5.25	0.99	6.65	1.29	7.71	1.60	8.52	1.65	9.32	1.71	9.94	1.72
	32	4.83	1.13	6.22	1.43	7.29	1.76	8.09	1.82	8.90	1.88	9.52	1.89
7+9+18	35	4.65	1.18	6.04	1.49	7.11	1.83	7.91	1.89	8.72	1.95	9.34	1.96
	40	4.34	1.28	5.74	1.59	6.80	1.95	7.61	2.01	8.42	2.06	9.03	2.08
	43	4.16	1.34	5.56	1.65	6.62	2.02	7.43	2.08	8.24	2.14	8.85	2.15
	46	3.98	1.40	5.38	1.71	6.44	2.09	7.34	2.15	8.16	2.21	8.78	2.22
	22	5.55	0.90	6.95	1.19	8.01	1.48	8.82	1.54	9.63	1.59	10.24	1.60
	25	5.25	0.99	6.65	1.29	7.71	1.60	8.52	1.65	9.32	1.71	9.94	1.72
7+12+15	32	4.83	1.13	6.22	1.43	7.29	1.76	8.09	1.82	8.90	1.88	9.52	1.89
	35	4.65	1.18	6.04	1.49	7.11	1.83	7.91	1.89	8.72	1.95	9.34	1.96
	40	4.34	1.28	5.74	1.59	6.80	1.95	7.61	2.01	8.42	2.06	9.03	2.08
	43	4.16	1.34	5.56	1.65	6.62	2.02	7.43	2.08	8.24	2.14	8.85	2.15
	46	3.98	1.40	5.38	1.71	6.44	2.09	7.34	2.15	8.16	2.21	8.78	2.22
	22	5.55	0.90	6.95	1.19	8.01	1.48	8.82	1.54	9.63	1.59	10.24	1.60
5+5+24	25	5.25	0.99	6.65	1.29	7.71	1.60	8.52	1.65	9.32	1.71	9.94	1.72
	32	4.83	1.13	6.22	1.43	7.29	1.76	8.09	1.82	8.90	1.88	9.52	1.89
	35	4.65	1.18	6.04	1.49	7.11	1.83	7.91	1.89	8.72	1.95	9.34	1.96
	40	4.34	1.28	5.74	1.59	6.80	1.95	7.61	2.01	8.42	2.06	9.03	2.08
	43	4.16	1.34	5.56	1.65	6.62	2.02	7.43	2.08	8.24	2.14	8.85	2.15
	46	3.98	1.40	5.38	1.71	6.44	2.09	7.34	2.15	8.16	2.21	8.78	2.22
5+12+18	22	5.55	0.90	6.95	1.19	8.01	1.48	8.82	1.54	9.63	1.59	10.24	1.60
	25	5.25	0.99	6.65	1.29	7.71	1.60	8.52	1.65	9.32	1.71	9.94	1.72
	32	4.83	1.13	6.22	1.43	7.29	1.76	8.09	1.82	8.90	1.88	9.52	1.89
	35	4.65	1.18	6.04	1.49	7.11	1.83	7.91	1.89	8.72	1.95	9.34	1.96
	40	4.34	1.28	5.74	1.59	6.80	1.95	7.61	2.01	8.42	2.06	9.03	2.08
	43	4.16	1.34	5.56	1.65	6.62	2.02	7.43	2.08	8.24	2.14	8.85	2.15
5+15+15	46	3.98	1.40	5.38	1.71	6.44	2.09	7.34	2.15	8.16	2.21	8.78	2.22
	22	5.55	0.90	6.95	1.19	8.01	1.48	8.82	1.54	9.63	1.59	10.24	1.60
	25	5.25	0.99	6.65	1.29	7.71	1.60	8.52	1.65	9.32	1.71	9.94	1.72
	32	4.83	1.13	6.22	1.43	7.29	1.76	8.09	1.82	8.90	1.88	9.52	1.89
	35	4.65	1.18	6.04	1.49	7.11	1.83	7.91	1.89	8.72	1.95	9.34	1.96
	40	4.34	1.28	5.74	1.59	6.80	1.95	7.61	2.01	8.42	2.06	9.03	2.08
5+7+24	43	4.16	1.34	5.56	1.65	6.62	2.02	7.43	2.08	8.24	2.14	8.85	2.15
	46	3.98	1.40	5.38	1.71	6.44	2.09	7.34	2.15	8.16	2.21	8.78	2.22
	22	5.55	0.90	6.95	1.19	8.01	1.48	8.82	1.54	9.63	1.59	10.24	1.60
	25	5.25	0.99	6.65	1.29	7.71	1.60	8.52	1.65	9.32	1.71	9.94	1.72
	32	4.83	1.13	6.22	1.43	7.29	1.76	8.09	1.82	8.90	1.88	9.52	1.89
	35	4.65	1.18	6.04	1.49	7.11	1.83	7.91	1.89	8.72	1.95	9.34	1.96

5. Capacity tables

Cooling Capacity [-27G-]

Combination capacity index (kBtu/h)	Outdoor Air Temp. (°CDB)	Indoor Air Temp. (°CWB)											
		14		16		18		19		22		24	
		TC	PI	TC	PI	TC	PI	TC	PI	TC	PI	TC	PI
9+12+15	22	5.55	0.90	6.95	1.19	8.01	1.48	8.82	1.54	9.63	1.59	10.24	1.60
	25	5.25	0.99	6.65	1.29	7.71	1.60	8.52	1.65	9.32	1.71	9.94	1.72
	32	4.83	1.13	6.22	1.43	7.29	1.76	8.09	1.82	8.90	1.88	9.52	1.89
	35	4.65	1.18	6.04	1.49	7.11	1.83	7.91	1.89	8.72	1.95	9.34	1.96
	40	4.34	1.28	5.74	1.59	6.80	1.95	7.61	2.01	8.42	2.06	9.03	2.08
	43	4.16	1.34	5.56	1.65	6.62	2.02	7.43	2.08	8.24	2.14	8.85	2.15
12+12+12	46	3.98	1.40	5.38	1.71	6.44	2.09	7.34	2.15	8.16	2.21	8.78	2.22
	22	5.55	0.90	6.95	1.19	8.01	1.48	8.82	1.54	9.63	1.59	10.24	1.60
	25	5.25	0.99	6.65	1.29	7.71	1.60	8.52	1.65	9.32	1.71	9.94	1.72
	32	4.83	1.13	6.22	1.43	7.29	1.76	8.09	1.82	8.90	1.88	9.52	1.89
	35	4.65	1.18	6.04	1.49	7.11	1.83	7.91	1.89	8.72	1.95	9.34	1.96
	40	4.34	1.28	5.74	1.59	6.80	1.95	7.61	2.01	8.42	2.06	9.03	2.08
9+9+18	43	4.16	1.34	5.56	1.65	6.62	2.02	7.43	2.08	8.24	2.14	8.85	2.15
	46	3.98	1.40	5.38	1.71	6.44	2.09	7.34	2.15	8.16	2.21	8.78	2.22
	22	5.55	0.90	6.95	1.19	8.01	1.48	8.82	1.54	9.63	1.59	10.24	1.60
	25	5.25	0.99	6.65	1.29	7.71	1.60	8.52	1.65	9.32	1.71	9.94	1.72
	32	4.83	1.13	6.22	1.43	7.29	1.76	8.09	1.82	8.90	1.88	9.52	1.89
	35	4.65	1.18	6.04	1.49	7.11	1.83	7.91	1.89	8.72	1.95	9.34	1.96
7+12+18	40	4.34	1.28	5.74	1.59	6.80	1.95	7.61	2.01	8.42	2.06	9.03	2.08
	43	4.16	1.34	5.56	1.65	6.62	2.02	7.43	2.08	8.24	2.14	8.85	2.15
	46	3.98	1.40	5.38	1.71	6.44	2.09	7.34	2.15	8.16	2.21	8.78	2.22
	22	5.55	0.90	6.95	1.19	8.01	1.48	8.82	1.54	9.63	1.59	10.24	1.60
	25	5.25	0.99	6.65	1.29	7.71	1.60	8.52	1.65	9.32	1.71	9.94	1.72
	32	4.83	1.13	6.22	1.43	7.29	1.76	8.09	1.82	8.90	1.88	9.52	1.89
7+15+15	35	4.65	1.18	6.04	1.49	7.11	1.83	7.91	1.89	8.72	1.95	9.34	1.96
	40	4.34	1.28	5.74	1.59	6.80	1.95	7.61	2.01	8.42	2.06	9.03	2.08
	43	4.16	1.34	5.56	1.65	6.62	2.02	7.43	2.08	8.24	2.14	8.85	2.15
	46	3.98	1.40	5.38	1.71	6.44	2.09	7.34	2.15	8.16	2.21	8.78	2.22
	22	5.55	0.90	6.95	1.19	8.01	1.48	8.82	1.54	9.63	1.59	10.24	1.60
	25	5.25	0.99	6.65	1.29	7.71	1.60	8.52	1.65	9.32	1.71	9.94	1.72
5+9+24	32	4.83	1.13	6.22	1.43	7.29	1.76	8.09	1.82	8.90	1.88	9.52	1.89
	35	4.65	1.18	6.04	1.49	7.11	1.83	7.91	1.89	8.72	1.95	9.34	1.96
	40	4.34	1.28	5.74	1.59	6.80	1.95	7.61	2.01	8.42	2.06	9.03	2.08
	43	4.16	1.34	5.56	1.65	6.62	2.02	7.43	2.08	8.24	2.14	8.85	2.15
	46	3.98	1.40	5.38	1.71	6.44	2.09	7.34	2.15	8.16	2.21	8.78	2.22
	22	5.55	0.90	6.95	1.19	8.01	1.48	8.82	1.54	9.63	1.59	10.24	1.60
5+15+18	25	5.25	0.99	6.65	1.29	7.71	1.60	8.52	1.65	9.32	1.71	9.94	1.72
	32	4.83	1.13	6.22	1.43	7.29	1.76	8.09	1.82	8.90	1.88	9.52	1.89
	35	4.65	1.18	6.04	1.49	7.11	1.83	7.91	1.89	8.72	1.95	9.34	1.96
	40	4.34	1.28	5.74	1.59	6.80	1.95	7.61	2.01	8.42	2.06	9.03	2.08
	43	4.16	1.34	5.56	1.65	6.62	2.02	7.43	2.08	8.24	2.14	8.85	2.15
	46	3.98	1.40	5.38	1.71	6.44	2.09	7.34	2.15	8.16	2.21	8.78	2.22
7+7+24	22	5.55	0.90	6.95	1.19	8.01	1.48	8.82	1.54	9.63	1.59	10.24	1.60
	25	5.25	0.99	6.65	1.29	7.71	1.60	8.52	1.65	9.32	1.71	9.94	1.72
	32	4.83	1.13	6.22	1.43	7.29	1.76	8.09	1.82	8.90	1.88	9.52	1.89
	35	4.65	1.18	6.04	1.49	7.11	1.83	7.91	1.89	8.72	1.95	9.34	1.96
	40	4.34	1.28	5.74	1.59	6.80	1.95	7.61	2.01	8.42	2.06	9.03	2.08
	43	4.16	1.34	5.56	1.65	6.62	2.02	7.43	2.08	8.24	2.14	8.85	2.15
9+12+18	46	3.98	1.40	5.38	1.71	6.44	2.09	7.34	2.15	8.16	2.21	8.78	2.22
	22	5.55	0.90	6.95	1.19	8.01	1.48	8.82	1.54	9.63	1.59	10.24	1.60
	25	5.25	0.99	6.65	1.29	7.71	1.60	8.52	1.65	9.32	1.71	9.94	1.72
	32	4.83	1.13	6.22	1.43	7.29	1.76	8.09	1.82	8.90	1.88	9.52	1.89
	35	4.65	1.18	6.04	1.49	7.11	1.83	7.91	1.89	8.72	1.95	9.34	1.96
	40	4.34	1.28	5.74	1.59	6.80	1.95	7.61	2.01	8.42	2.06	9.03	2.08
9+15+15	43	4.16	1.34	5.56	1.65	6.62	2.02	7.43	2.08	8.24	2.14	8.85	2.15
	46	3.98	1.40	5.38	1.71	6.44	2.09	7.34	2.15	8.16	2.21	8.78	2.22
	22	5.55	0.90	6.95	1.19	8.01	1.48	8.82	1.54	9.63	1.59	10.24	1.60
	25	5.25	0.99	6.65	1.29	7.71	1.60	8.52	1.65	9.32	1.71	9.94	1.72
	32	4.83	1.13	6.22	1.43	7.29	1.76	8.09	1.82	8.90	1.88	9.52	1.89
	35	4.65	1.18	6.04	1.49	7.11	1.83	7.91	1.89	8.72	1.95	9.34	1.96

5. Capacity tables

Cooling Capacity [-27G-]

Combination capacity index (kBTu/h)	Outdoor Air Temp. (°CDB)	Indoor Air Temp. (°CWB)											
		14		16		18		19		22		24	
		TC	PI	TC	PI	TC	PI	TC	PI	TC	PI	TC	PI
12+12+15	22	5.55	0.90	6.95	1.19	8.01	1.48	8.82	1.54	9.63	1.59	10.24	1.60
	25	5.25	0.99	6.65	1.29	7.71	1.60	8.52	1.65	9.32	1.71	9.94	1.72
	32	4.83	1.13	6.22	1.43	7.29	1.76	8.09	1.82	8.90	1.88	9.52	1.89
	35	4.65	1.18	6.04	1.49	7.11	1.83	7.91	1.89	8.72	1.95	9.34	1.96
	40	4.34	1.28	5.74	1.59	6.80	1.95	7.61	2.01	8.42	2.06	9.03	2.08
	43	4.16	1.34	5.56	1.65	6.62	2.02	7.43	2.08	8.24	2.14	8.85	2.15
7+9+24	46	3.98	1.40	5.38	1.71	6.44	2.09	7.34	2.15	8.16	2.21	8.78	2.22
	22	5.55	0.90	6.95	1.19	8.01	1.48	8.82	1.54	9.63	1.59	10.24	1.60
	25	5.25	0.99	6.65	1.29	7.71	1.60	8.52	1.65	9.32	1.71	9.94	1.72
	32	4.83	1.13	6.22	1.43	7.29	1.76	8.09	1.82	8.90	1.88	9.52	1.89
	35	4.65	1.18	6.04	1.49	7.11	1.83	7.91	1.89	8.72	1.95	9.34	1.96
	40	4.34	1.28	5.74	1.59	6.80	1.95	7.61	2.01	8.42	2.06	9.03	2.08
7+15+18	43	4.16	1.34	5.56	1.65	6.62	2.02	7.43	2.08	8.24	2.14	8.85	2.15
	46	3.98	1.40	5.38	1.71	6.44	2.09	7.34	2.15	8.16	2.21	8.78	2.22
	22	5.55	0.90	6.95	1.19	8.01	1.48	8.82	1.54	9.63	1.59	10.24	1.60
	25	5.25	0.99	6.65	1.29	7.71	1.60	8.52	1.65	9.32	1.71	9.94	1.72
	32	4.83	1.13	6.22	1.43	7.29	1.76	8.09	1.82	8.90	1.88	9.52	1.89
	35	4.65	1.18	6.04	1.49	7.11	1.83	7.91	1.89	8.72	1.95	9.34	1.96
5+12+24	40	4.34	1.28	5.74	1.59	6.80	1.95	7.61	2.01	8.42	2.06	9.03	2.08
	43	4.16	1.34	5.56	1.65	6.62	2.02	7.43	2.08	8.24	2.14	8.85	2.15
	46	3.98	1.40	5.38	1.71	6.44	2.09	7.34	2.15	8.16	2.21	8.78	2.22
	22	5.55	0.90	6.95	1.19	8.01	1.48	8.82	1.54	9.63	1.59	10.24	1.60
	25	5.25	0.99	6.65	1.29	7.71	1.60	8.52	1.65	9.32	1.71	9.94	1.72
	32	4.83	1.13	6.22	1.43	7.29	1.76	8.09	1.82	8.90	1.88	9.52	1.89
5+18+18	35	4.65	1.18	6.04	1.49	7.11	1.83	7.91	1.89	8.72	1.95	9.34	1.96
	40	4.34	1.28	5.74	1.59	6.80	1.95	7.61	2.01	8.42	2.06	9.03	2.08
	43	4.16	1.34	5.56	1.65	6.62	2.02	7.43	2.08	8.24	2.14	8.85	2.15
	46	3.98	1.40	5.38	1.71	6.44	2.09	7.34	2.15	8.16	2.21	8.78	2.22
	22	5.55	0.90	6.95	1.19	8.01	1.48	8.82	1.54	9.63	1.59	10.24	1.60
	25	5.25	0.99	6.65	1.29	7.71	1.60	8.52	1.65	9.32	1.71	9.94	1.72
4 Units Operation													
5+5+5+5	32	3.57	0.72	4.61	0.91	5.40	1.12	6.00	1.16	6.59	1.19	7.05	1.20
	35	3.44	0.75	4.48	0.95	5.26	1.17	5.86	1.20	6.46	1.24	6.92	1.25
	40	3.22	0.82	4.25	1.01	5.04	1.24	5.64	1.28	6.24	1.31	6.69	1.32
	43	3.08	0.85	4.12	1.05	4.91	1.29	5.50	1.32	6.10	1.36	6.56	1.37
	46	2.95	0.89	3.98	1.08	4.77	1.33	5.44	1.37	6.04	1.40	6.50	1.41
	22	4.52	0.63	5.66	0.83	6.53	1.03	7.19	1.07	7.84	1.11	8.34	1.12
5+5+5+7	25	4.28	0.69	5.42	0.90	6.28	1.11	6.94	1.15	7.60	1.19	8.10	1.20
	32	3.93	0.78	5.07	1.00	5.94	1.23	6.60	1.27	7.25	1.31	7.75	1.32
	35	3.78	0.83	4.92	1.04	5.79	1.28	6.45	1.32	7.11	1.36	7.61	1.36
	40	3.54	0.89	4.68	1.11	5.54	1.36	6.20	1.40	6.86	1.44	7.36	1.45
	43	3.39	0.94	4.53	1.15	5.40	1.41	6.05	1.45	6.71	1.49	7.21	1.50
	46	3.24	0.98	4.38	1.19	5.25	1.46	5.98	1.50	6.65	1.54	7.15	1.55
5+5+5+9	22	4.93	0.69	6.18	0.92	7.12	1.14	7.84	1.19	8.56	1.23	9.10	1.24
	25	4.67	0.76	5.91	0.99	6.85	1.23	7.57	1.28	8.29	1.32	8.83	1.33
	32	4.29	0.87	5.53	1.10	6.48	1.36	7.19	1.40	7.91	1.45	8.46	1.46
	35	4.13	0.91	5.37	1.15	6.32	1.41	7.03	1.46	7.75	1.50	8.30	1.51
	40	3.86	0.99	5.10	1.22	6.05	1.51	6.77	1.55	7.48	1.59	8.03	1.60
	43	3.70	1.04	4.94	1.27	5.89	1.56	6.60	1.60	7.32	1.65	7.87	1.66
5+5+7+7	46	3.54	1.08	4.78	1.32	5.73	1.61	6.52	1.66	7.25	1.70	7.81	1.71
	22	4.93	0.69	6.18	0.92	7.12	1.14	7.84	1.19	8.56	1.23	9.10	1.24
	25	4.67	0.76	5.91	0.99	6.85	1.23	7.57	1.28	8.29	1.32	8.83	1.33
	32	4.29	0.87	5.53	1.10	6.48	1.36	7.19	1.40	7.91	1.45	8.46	1.46
	35	4.13	0.91	5.37	1.15	6.32	1.41	7.03	1.46	7.75	1.50	8.30	1.51
	40	3.86	0.99	5.10	1.22	6.05	1.51	6.77	1.55	7.48	1.59	8.03	1.60
5+5+7+9	43	3.70	1.04	4.94	1.27	5.89	1.56	6.60	1.60	7.32	1.65	7.87	1.66
	46	3.54	1.08	4.78	1.32	5.73	1.61	6.52	1.66	7.25	1.70	7.81	1.71
	22	5.34	0.80	6.69	1.06	7.71	1.31	8.49	1.37	9.27	1.42	9.86	1.43
	25	5.05	0.88	6.40	1.14	7.42	1.42	8.20	1.47	8.98	1.52	9.57	1.53
	32	4.65	1.00	5.99	1.27	7.02	1.57	7.79	1.62	8.57	1.67	9.16	1.68
	35	4.47	1.05	5.82	1.32	6.84	1.63	7.62	1.68	8.40	1.73	8.99	1.74
5+5+7+9	40	4.18	1.14	5.53	1.41	6.55	1.73	7.33	1.78	8.11	1.83	8.70	1.84
	43	4.01	1.19	5.35	1.46	6.38	1.80	7.16	1.85	7.93	1.90	8.52	1.91
	46	3.83	1.25	5.18	1.51	6.20	1.86	7.07	1.91	7.86	1.96	8.46	1.97

5. Capacity tables

Cooling Capacity [-27G-]

Combination capacity index (kBTu/h)	Outdoor Air Temp. (°CDB)	Indoor Air Temp. (°CWB)											
		14		16		18		19		22		24	
		TC	PI	TC	PI	TC	PI	TC	PI	TC	PI	TC	PI
5+7+7+7	22	5.34	0.80	6.69	1.06	7.71	1.31	8.49	1.37	9.27	1.42	9.86	1.43
	25	5.05	0.88	6.40	1.14	7.42	1.42	8.20	1.47	8.98	1.52	9.57	1.53
	32	4.65	1.00	5.99	1.27	7.02	1.57	7.79	1.62	8.57	1.67	9.16	1.68
	35	4.47	1.05	5.82	1.32	6.84	1.63	7.62	1.68	8.40	1.73	8.99	1.74
	40	4.18	1.14	5.53	1.41	6.55	1.73	7.33	1.78	8.11	1.83	8.70	1.84
	43	4.01	1.19	5.35	1.46	6.38	1.80	7.16	1.85	7.93	1.90	8.52	1.91
	46	3.83	1.25	5.18	1.51	6.20	1.86	7.07	1.91	7.86	1.96	8.46	1.97
5+5+5+12	22	5.55	0.85	6.95	1.13	8.01	1.41	8.82	1.46	9.63	1.51	10.24	1.52
	25	5.25	0.94	6.65	1.22	7.71	1.52	8.52	1.57	9.32	1.63	9.94	1.64
	32	4.83	1.07	6.22	1.36	7.29	1.67	8.09	1.73	8.90	1.78	9.52	1.79
	35	4.65	1.13	6.04	1.41	7.11	1.74	7.91	1.80	8.72	1.85	9.34	1.86
	40	4.34	1.22	5.74	1.51	6.80	1.85	7.61	1.91	8.42	1.96	9.03	1.97
	43	4.16	1.28	5.56	1.56	6.62	1.92	7.43	1.97	8.24	2.03	8.85	2.04
	46	3.98	1.33	5.38	1.62	6.44	1.99	7.34	2.04	8.16	2.10	8.78	2.11
5+5+9+9	22	5.55	0.85	6.95	1.13	8.01	1.41	8.82	1.46	9.63	1.51	10.24	1.52
	25	5.25	0.94	6.65	1.22	7.71	1.52	8.52	1.57	9.32	1.63	9.94	1.64
	32	4.83	1.07	6.22	1.36	7.29	1.67	8.09	1.73	8.90	1.78	9.52	1.79
	35	4.65	1.13	6.04	1.41	7.11	1.74	7.91	1.80	8.72	1.85	9.34	1.86
	40	4.34	1.22	5.74	1.51	6.80	1.85	7.61	1.91	8.42	1.96	9.03	1.97
	43	4.16	1.28	5.56	1.56	6.62	1.92	7.43	1.97	8.24	2.03	8.85	2.04
	46	3.98	1.33	5.38	1.62	6.44	1.99	7.34	2.04	8.16	2.10	8.78	2.11
5+7+7+9	22	5.55	0.85	6.95	1.13	8.01	1.41	8.82	1.46	9.63	1.51	10.24	1.52
	25	5.25	0.94	6.65	1.22	7.71	1.52	8.52	1.57	9.32	1.63	9.94	1.64
	32	4.83	1.07	6.22	1.36	7.29	1.67	8.09	1.73	8.90	1.78	9.52	1.79
	35	4.65	1.13	6.04	1.41	7.11	1.74	7.91	1.80	8.72	1.85	9.34	1.86
	40	4.34	1.22	5.74	1.51	6.80	1.85	7.61	1.91	8.42	1.96	9.03	1.97
	43	4.16	1.28	5.56	1.56	6.62	1.92	7.43	1.97	8.24	2.03	8.85	2.04
	46	3.98	1.33	5.38	1.62	6.44	1.99	7.34	2.04	8.16	2.10	8.78	2.11
7+7+7+7	22	5.55	0.85	6.95	1.13	8.01	1.41	8.82	1.46	9.63	1.51	10.24	1.52
	25	5.25	0.94	6.65	1.22	7.71	1.52	8.52	1.57	9.32	1.63	9.94	1.64
	32	4.83	1.07	6.22	1.36	7.29	1.67	8.09	1.73	8.90	1.78	9.52	1.79
	35	4.65	1.13	6.04	1.41	7.11	1.74	7.91	1.80	8.72	1.85	9.34	1.86
	40	4.34	1.22	5.74	1.51	6.80	1.85	7.61	1.91	8.42	1.96	9.03	1.97
	43	4.16	1.28	5.56	1.56	6.62	1.92	7.43	1.97	8.24	2.03	8.85	2.04
	46	3.98	1.33	5.38	1.62	6.44	1.99	7.34	2.04	8.16	2.10	8.78	2.11
5+5+7+12	22	5.55	0.85	6.95	1.13	8.01	1.41	8.82	1.46	9.63	1.51	10.24	1.52
	25	5.25	0.94	6.65	1.22	7.71	1.52	8.52	1.57	9.32	1.63	9.94	1.64
	32	4.83	1.07	6.22	1.36	7.29	1.67	8.09	1.73	8.90	1.78	9.52	1.79
	35	4.65	1.13	6.04	1.41	7.11	1.74	7.91	1.80	8.72	1.85	9.34	1.86
	40	4.34	1.22	5.74	1.51	6.80	1.85	7.61	1.91	8.42	1.96	9.03	1.97
	43	4.16	1.28	5.56	1.56	6.62	1.92	7.43	1.97	8.24	2.03	8.85	2.04
	46	3.98	1.33	5.38	1.62	6.44	1.99	7.34	2.04	8.16	2.10	8.78	2.11
5+5+5+15	22	5.55	0.85	6.95	1.13	8.01	1.41	8.82	1.46	9.63	1.51	10.24	1.52
	25	5.25	0.94	6.65	1.22	7.71	1.52	8.52	1.57	9.32	1.63	9.94	1.64
	32	4.83	1.07	6.22	1.36	7.29	1.67	8.09	1.73	8.90	1.78	9.52	1.79
	35	4.65	1.13	6.04	1.41	7.11	1.74	7.91	1.80	8.72	1.85	9.34	1.86
	40	4.34	1.22	5.74	1.51	6.80	1.85	7.61	1.91	8.42	1.96	9.03	1.97
	43	4.16	1.28	5.56	1.56	6.62	1.92	7.43	1.97	8.24	2.03	8.85	2.04
	46	3.98	1.33	5.38	1.62	6.44	1.99	7.34	2.04	8.16	2.10	8.78	2.11
5+7+9+9	22	5.55	0.85	6.95	1.13	8.01	1.41	8.82	1.46	9.63	1.51	10.24	1.52
	25	5.25	0.94	6.65	1.22	7.71	1.52	8.52	1.57	9.32	1.63	9.94	1.64
	32	4.83	1.07	6.22	1.36	7.29	1.67	8.09	1.73	8.90	1.78	9.52	1.79
	35	4.65	1.13	6.04	1.41	7.11	1.74	7.91	1.80	8.72	1.85	9.34	1.86
	40	4.34	1.22	5.74	1.51	6.80	1.85	7.61	1.91	8.42	1.96	9.03	1.97
	43	4.16	1.28	5.56	1.56	6.62	1.92	7.43	1.97	8.24	2.03	8.85	2.04
	46	3.98	1.33	5.38	1.62	6.44	1.99	7.34	2.04	8.16	2.10	8.78	2.11
7+7+7+9	22	5.55	0.85	6.95	1.13	8.01	1.41	8.82	1.46	9.63	1.51	10.24	1.52
	25	5.25	0.94	6.65	1.22	7.71	1.52	8.52	1.57	9.32	1.63	9.94	1.64
	32	4.83	1.07	6.22	1.36	7.29	1.67	8.09	1.73	8.90	1.78	9.52	1.79
	35	4.65	1.13	6.04	1.41	7.11	1.74	7.91	1.80	8.72	1.85	9.34	1.86
	40	4.34	1.22	5.74	1.51	6.80	1.85	7.61	1.91	8.42	1.96	9.03	1.97
	43	4.16	1.28	5.56	1.56	6.62	1.92	7.43	1.97	8.24	2.03	8.85	2.04
	46	3.98	1.33	5.38	1.62	6.44	1.99	7.34	2.04	8.16	2.10	8.78	2.11
5+5+9+12	22	5.55	0.85	6.95	1.13	8.01	1.41	8.82	1.46	9.63	1.51	10.24	1.52
	25	5.25	0.94	6.65	1.22	7.71	1.52	8.52	1.57	9.32	1.63	9.94	1.64
	32	4.83	1.07	6.22	1.36	7.29	1.67	8.09	1.73	8.90	1.78	9.52	1.79
	35	4.65	1.13	6.04	1.41	7.11	1.74	7.91	1.80	8.72	1.85	9.34	1.86
	40	4.34	1.22	5.74	1.51	6.80	1.85	7.61	1.91	8.42	1.96	9.03	1.97
	43	4.16	1.28	5.56	1.56	6.62	1.92	7.43	1.97	8.24	2.03	8.85	2.04
	46	3.98	1.33	5.38	1.62	6.44	1.99	7.34	2.04	8.16	2.10	8.78	2.11

5. Capacity tables

Cooling Capacity [-27G-]

Combination capacity index (kBTU/h)	Outdoor Air Temp. (°CDB)	Indoor Air Temp. (°CWB)											
		14		16		18		19		22		24	
		TC	PI	TC	PI	TC	PI	TC	PI	TC	PI	TC	PI
5+7+7+12	22	5.55	0.85	6.95	1.13	8.01	1.41	8.82	1.46	9.63	1.51	10.24	1.52
	25	5.25	0.94	6.65	1.22	7.71	1.52	8.52	1.57	9.32	1.63	9.94	1.64
	32	4.83	1.07	6.22	1.36	7.29	1.67	8.09	1.73	8.90	1.78	9.52	1.79
	35	4.65	1.13	6.04	1.41	7.11	1.74	7.91	1.80	8.72	1.85	9.34	1.86
	40	4.34	1.22	5.74	1.51	6.80	1.85	7.61	1.91	8.42	1.96	9.03	1.97
	43	4.16	1.28	5.56	1.56	6.62	1.92	7.43	1.97	8.24	2.03	8.85	2.04
5+5+7+15	22	5.55	0.85	6.95	1.13	8.01	1.41	8.82	1.46	9.63	1.51	10.24	1.52
	25	5.25	0.94	6.65	1.22	7.71	1.52	8.52	1.57	9.32	1.63	9.94	1.64
	32	4.83	1.07	6.22	1.36	7.29	1.67	8.09	1.73	8.90	1.78	9.52	1.79
	35	4.65	1.13	6.04	1.41	7.11	1.74	7.91	1.80	8.72	1.85	9.34	1.86
	40	4.34	1.22	5.74	1.51	6.80	1.85	7.61	1.91	8.42	1.96	9.03	1.97
	43	4.16	1.28	5.56	1.56	6.62	1.92	7.43	1.97	8.24	2.03	8.85	2.04
7+7+9+9	22	5.55	0.85	6.95	1.13	8.01	1.41	8.82	1.46	9.63	1.51	10.24	1.52
	25	5.25	0.94	6.65	1.22	7.71	1.52	8.52	1.57	9.32	1.63	9.94	1.64
	32	4.83	1.07	6.22	1.36	7.29	1.67	8.09	1.73	8.90	1.78	9.52	1.79
	35	4.65	1.13	6.04	1.41	7.11	1.74	7.91	1.80	8.72	1.85	9.34	1.86
	40	4.34	1.22	5.74	1.51	6.80	1.85	7.61	1.91	8.42	1.96	9.03	1.97
	43	4.16	1.28	5.56	1.56	6.62	1.92	7.43	1.97	8.24	2.03	8.85	2.04
5+9+9+9	22	5.55	0.85	6.95	1.13	8.01	1.41	8.82	1.46	9.63	1.51	10.24	1.52
	25	5.25	0.94	6.65	1.22	7.71	1.52	8.52	1.57	9.32	1.63	9.94	1.64
	32	4.83	1.07	6.22	1.36	7.29	1.67	8.09	1.73	8.90	1.78	9.52	1.79
	35	4.65	1.13	6.04	1.41	7.11	1.74	7.91	1.80	8.72	1.85	9.34	1.86
	40	4.34	1.22	5.74	1.51	6.80	1.85	7.61	1.91	8.42	1.96	9.03	1.97
	43	4.16	1.28	5.56	1.56	6.62	1.92	7.43	1.97	8.24	2.03	8.85	2.04
5+5+5+18	22	5.55	0.85	6.95	1.13	8.01	1.41	8.82	1.46	9.63	1.51	10.24	1.52
	25	5.25	0.94	6.65	1.22	7.71	1.52	8.52	1.57	9.32	1.63	9.94	1.64
	32	4.83	1.07	6.22	1.36	7.29	1.67	8.09	1.73	8.90	1.78	9.52	1.79
	35	4.65	1.13	6.04	1.41	7.11	1.74	7.91	1.80	8.72	1.85	9.34	1.86
	40	4.34	1.22	5.74	1.51	6.80	1.85	7.61	1.91	8.42	1.96	9.03	1.97
	43	4.16	1.28	5.56	1.56	6.62	1.92	7.43	1.97	8.24	2.03	8.85	2.04
5+7+9+12	22	5.55	0.85	6.95	1.13	8.01	1.41	8.82	1.46	9.63	1.51	10.24	1.52
	25	5.25	0.94	6.65	1.22	7.71	1.52	8.52	1.57	9.32	1.63	9.94	1.64
	32	4.83	1.07	6.22	1.36	7.29	1.67	8.09	1.73	8.90	1.78	9.52	1.79
	35	4.65	1.13	6.04	1.41	7.11	1.74	7.91	1.80	8.72	1.85	9.34	1.86
	40	4.34	1.22	5.74	1.51	6.80	1.85	7.61	1.91	8.42	1.96	9.03	1.97
	43	4.16	1.28	5.56	1.56	6.62	1.92	7.43	1.97	8.24	2.03	8.85	2.04
7+7+7+12	22	5.55	0.85	6.95	1.13	8.01	1.41	8.82	1.46	9.63	1.51	10.24	1.52
	25	5.25	0.94	6.65	1.22	7.71	1.52	8.52	1.57	9.32	1.63	9.94	1.64
	32	4.83	1.07	6.22	1.36	7.29	1.67	8.09	1.73	8.90	1.78	9.52	1.79
	35	4.65	1.13	6.04	1.41	7.11	1.74	7.91	1.80	8.72	1.85	9.34	1.86
	40	4.34	1.22	5.74	1.51	6.80	1.85	7.61	1.91	8.42	1.96	9.03	1.97
	43	4.16	1.28	5.56	1.56	6.62	1.92	7.43	1.97	8.24	2.03	8.85	2.04
5+5+9+15	22	5.55	0.85	6.95	1.13	8.01	1.41	8.82	1.46	9.63	1.51	10.24	1.52
	25	5.25	0.94	6.65	1.22	7.71	1.52	8.52	1.57	9.32	1.63	9.94	1.64
	32	4.83	1.07	6.22	1.36	7.29	1.67	8.09	1.73	8.90	1.78	9.52	1.79
	35	4.65	1.13	6.04	1.41	7.11	1.74	7.91	1.80	8.72	1.85	9.34	1.86
	40	4.34	1.22	5.74	1.51	6.80	1.85	7.61	1.91	8.42	1.96	9.03	1.97
	43	4.16	1.28	5.56	1.56	6.62	1.92	7.43	1.97	8.24	2.03	8.85	2.04
5+5+12+12	22	5.55	0.85	6.95	1.13	8.01	1.41	8.82	1.46	9.63	1.51	10.24	1.52
	25	5.25	0.94	6.65	1.22	7.71	1.52	8.52	1.57	9.32	1.63	9.94	1.64
	32	4.83	1.07	6.22	1.36	7.29	1.67	8.09	1.73	8.90	1.78	9.52	1.79
	35	4.65	1.13	6.04	1.41	7.11	1.74	7.91	1.80	8.72	1.85	9.34	1.86
	40	4.34	1.22	5.74	1.51	6.80	1.85	7.61	1.91	8.42	1.96	9.03	1.97
	43	4.16	1.28	5.56	1.56	6.62	1.92	7.43	1.97	8.24	2.03	8.85	2.04
5+7+7+15	22	5.55	0.85	6.95	1.13	8.01	1.41	8.82	1.46	9.63	1.51	10.24	1.52
	25	5.25	0.94	6.65	1.22	7.71	1.52	8.52	1.57	9.32	1.63	9.94	1.64
	32	4.83	1.07	6.22	1.36	7.29	1.67	8.09	1.73	8.90	1.78	9.52	1.79
	35	4.65	1.13	6.04	1.41	7.11	1.74	7.91	1.80	8.72	1.85	9.34	1.86
	40	4.34	1.22	5.74	1.51	6.80	1.85	7.61	1.91	8.42	1.96	9.03	1.97
	43	4.16	1.28	5.56	1.56	6.62	1.92	7.43	1.97	8.24	2.03	8.85	2.04
5+7+7+15	22	5.55	0.85	6.95	1.13	8.01	1.41	8.82	1.46	9.63	1.51	10.24	1.52
	25	5.25	0.94	6.65	1.22	7.71	1.52	8.52	1.57	9.32	1.63	9.94	1.64
	32	4.83	1.07	6.22	1.36	7.29	1.67	8.09	1.73	8.90	1.78	9.52	1.79
	35	4.65	1.13	6.04	1.41	7.11	1.74	7.91	1.80	8.72	1.85	9.34	1.86
	40	4.34	1.22	5.74	1.51	6.80	1.85	7.61	1.91	8.42	1.96	9.03	1.97
	46	3.98	1.33	5.38	1.62	6.44	1.99	7.34	2.04	8.16	2.10	8.78	2.11

5. Capacity tables

Cooling Capacity [-27G-]

Combination capacity index (kBTU/h)	Outdoor Air Temp. (°CDB)	Indoor Air Temp. (°CWB)											
		14		16		18		19		22		24	
		TC	PI	TC	PI	TC	PI	TC	PI	TC	PI	TC	PI
7+9+9+9	22	5.55	0.85	6.95	1.13	8.01	1.41	8.82	1.46	9.63	1.51	10.24	1.52
	25	5.25	0.94	6.65	1.22	7.71	1.52	8.52	1.57	9.32	1.63	9.94	1.64
	32	4.83	1.07	6.22	1.36	7.29	1.67	8.09	1.73	8.90	1.78	9.52	1.79
	35	4.65	1.13	6.04	1.41	7.11	1.74	7.91	1.80	8.72	1.85	9.34	1.86
	40	4.34	1.22	5.74	1.51	6.80	1.85	7.61	1.91	8.42	1.96	9.03	1.97
	43	4.16	1.28	5.56	1.56	6.62	1.92	7.43	1.97	8.24	2.03	8.85	2.04
5+5+7+18	46	3.98	1.33	5.38	1.62	6.44	1.99	7.34	2.04	8.16	2.10	8.78	2.11
	22	5.55	0.85	6.95	1.13	8.01	1.41	8.82	1.46	9.63	1.51	10.24	1.52
	25	5.25	0.94	6.65	1.22	7.71	1.52	8.52	1.57	9.32	1.63	9.94	1.64
	32	4.83	1.07	6.22	1.36	7.29	1.67	8.09	1.73	8.90	1.78	9.52	1.79
	35	4.65	1.13	6.04	1.41	7.11	1.74	7.91	1.80	8.72	1.85	9.34	1.86
	40	4.34	1.22	5.74	1.51	6.80	1.85	7.61	1.91	8.42	1.96	9.03	1.97
5+9+9+12	43	4.16	1.28	5.56	1.56	6.62	1.92	7.43	1.97	8.24	2.03	8.85	2.04
	46	3.98	1.33	5.38	1.62	6.44	1.99	7.34	2.04	8.16	2.10	8.78	2.11
	22	5.55	0.85	6.95	1.13	8.01	1.41	8.82	1.46	9.63	1.51	10.24	1.52
	25	5.25	0.94	6.65	1.22	7.71	1.52	8.52	1.57	9.32	1.63	9.94	1.64
	32	4.83	1.07	6.22	1.36	7.29	1.67	8.09	1.73	8.90	1.78	9.52	1.79
	35	4.65	1.13	6.04	1.41	7.11	1.74	7.91	1.80	8.72	1.85	9.34	1.86
7+7+9+12	40	4.34	1.22	5.74	1.51	6.80	1.85	7.61	1.91	8.42	1.96	9.03	1.97
	43	4.16	1.28	5.56	1.56	6.62	1.92	7.43	1.97	8.24	2.03	8.85	2.04
	46	3.98	1.33	5.38	1.62	6.44	1.99	7.34	2.04	8.16	2.10	8.78	2.11
	22	5.55	0.85	6.95	1.13	8.01	1.41	8.82	1.46	9.63	1.51	10.24	1.52
	25	5.25	0.94	6.65	1.22	7.71	1.52	8.52	1.57	9.32	1.63	9.94	1.64
	32	4.83	1.07	6.22	1.36	7.29	1.67	8.09	1.73	8.90	1.78	9.52	1.79
5+7+9+15	35	4.65	1.13	6.04	1.41	7.11	1.74	7.91	1.80	8.72	1.85	9.34	1.86
	40	4.34	1.22	5.74	1.51	6.80	1.85	7.61	1.91	8.42	1.96	9.03	1.97
	43	4.16	1.28	5.56	1.56	6.62	1.92	7.43	1.97	8.24	2.03	8.85	2.04
	46	3.98	1.33	5.38	1.62	6.44	1.99	7.34	2.04	8.16	2.10	8.78	2.11
	22	5.55	0.85	6.95	1.13	8.01	1.41	8.82	1.46	9.63	1.51	10.24	1.52
	25	5.25	0.94	6.65	1.22	7.71	1.52	8.52	1.57	9.32	1.63	9.94	1.64
5+7+12+12	32	4.83	1.07	6.22	1.36	7.29	1.67	8.09	1.73	8.90	1.78	9.52	1.79
	35	4.65	1.13	6.04	1.41	7.11	1.74	7.91	1.80	8.72	1.85	9.34	1.86
	40	4.34	1.22	5.74	1.51	6.80	1.85	7.61	1.91	8.42	1.96	9.03	1.97
	43	4.16	1.28	5.56	1.56	6.62	1.92	7.43	1.97	8.24	2.03	8.85	2.04
	46	3.98	1.33	5.38	1.62	6.44	1.99	7.34	2.04	8.16	2.10	8.78	2.11
	22	5.55	0.85	6.95	1.13	8.01	1.41	8.82	1.46	9.63	1.51	10.24	1.52
7+7+7+15	25	5.25	0.94	6.65	1.22	7.71	1.52	8.52	1.57	9.32	1.63	9.94	1.64
	32	4.83	1.07	6.22	1.36	7.29	1.67	8.09	1.73	8.90	1.78	9.52	1.79
	35	4.65	1.13	6.04	1.41	7.11	1.74	7.91	1.80	8.72	1.85	9.34	1.86
	40	4.34	1.22	5.74	1.51	6.80	1.85	7.61	1.91	8.42	1.96	9.03	1.97
	43	4.16	1.28	5.56	1.56	6.62	1.92	7.43	1.97	8.24	2.03	8.85	2.04
	46	3.98	1.33	5.38	1.62	6.44	1.99	7.34	2.04	8.16	2.10	8.78	2.11
9+9+9+9	22	5.55	0.85	6.95	1.13	8.01	1.41	8.82	1.46	9.63	1.51	10.24	1.52
	25	5.25	0.94	6.65	1.22	7.71	1.52	8.52	1.57	9.32	1.63	9.94	1.64
	32	4.83	1.07	6.22	1.36	7.29	1.67	8.09	1.73	8.90	1.78	9.52	1.79
	35	4.65	1.13	6.04	1.41	7.11	1.74	7.91	1.80	8.72	1.85	9.34	1.86
	40	4.34	1.22	5.74	1.51	6.80	1.85	7.61	1.91	8.42	1.96	9.03	1.97
	43	4.16	1.28	5.56	1.56	6.62	1.92	7.43	1.97	8.24	2.03	8.85	2.04
5+5+9+18	46	3.98	1.33	5.38	1.62	6.44	1.99	7.34	2.04	8.16	2.10	8.78	2.11
	22	5.55	0.85	6.95	1.13	8.01	1.41	8.82	1.46	9.63	1.51	10.24	1.52
	25	5.25	0.94	6.65	1.22	7.71	1.52	8.52	1.57	9.32	1.63	9.94	1.64
	32	4.83	1.07	6.22	1.36	7.29	1.67	8.09	1.73	8.90	1.78	9.52	1.79
	35	4.65	1.13	6.04	1.41	7.11	1.74	7.91	1.80	8.72	1.85	9.34	1.86
	40	4.34	1.22	5.74	1.51	6.80	1.85	7.61	1.91	8.42	1.96	9.03	1.97
5+5+12+15	43	4.16	1.28	5.56	1.56	6.62	1.92	7.43	1.97	8.24	2.03	8.85	2.04
	46	3.98	1.33	5.38	1.62	6.44	1.99	7.34	2.04	8.16	2.10	8.78	2.11
	22	5.55	0.85	6.95	1.13	8.01	1.41	8.82	1.46	9.63	1.51	10.24	1.52
	25	5.25	0.94	6.65	1.22	7.71	1.52	8.52	1.57	9.32	1.63	9.94	1.64
	32	4.83	1.07	6.22	1.36	7.29	1.67	8.09	1.73	8.90	1.78	9.52	1.79
	35	4.65	1.13	6.04	1.41	7.11	1.74	7.91	1.80	8.72	1.85	9.34	1.86

5. Capacity tables

Cooling Capacity [-27G-]

Combination capacity index (kBTU/h)	Outdoor Air Temp. (°CDB)	Indoor Air Temp. (°CWB)											
		14		16		18		19		22		24	
		TC	PI	TC	PI	TC	PI	TC	PI	TC	PI	TC	PI
5+7+7+18	22	5.55	0.85	6.95	1.13	8.01	1.41	8.82	1.46	9.63	1.51	10.24	1.52
	25	5.25	0.94	6.65	1.22	7.71	1.52	8.52	1.57	9.32	1.63	9.94	1.64
	32	4.83	1.07	6.22	1.36	7.29	1.67	8.09	1.73	8.90	1.78	9.52	1.79
	35	4.65	1.13	6.04	1.41	7.11	1.74	7.91	1.80	8.72	1.85	9.34	1.86
	40	4.34	1.22	5.74	1.51	6.80	1.85	7.61	1.91	8.42	1.96	9.03	1.97
	43	4.16	1.28	5.56	1.56	6.62	1.92	7.43	1.97	8.24	2.03	8.85	2.04
7+9+9+12	46	3.98	1.33	5.38	1.62	6.44	1.99	7.34	2.04	8.16	2.10	8.78	2.11
	22	5.55	0.85	6.95	1.13	8.01	1.41	8.82	1.46	9.63	1.51	10.24	1.52
	25	5.25	0.94	6.65	1.22	7.71	1.52	8.52	1.57	9.32	1.63	9.94	1.64
	32	4.83	1.07	6.22	1.36	7.29	1.67	8.09	1.73	8.90	1.78	9.52	1.79
	35	4.65	1.13	6.04	1.41	7.11	1.74	7.91	1.80	8.72	1.85	9.34	1.86
	40	4.34	1.22	5.74	1.51	6.80	1.85	7.61	1.91	8.42	1.96	9.03	1.97
5+9+9+15	43	4.16	1.28	5.56	1.56	6.62	1.92	7.43	1.97	8.24	2.03	8.85	2.04
	46	3.98	1.33	5.38	1.62	6.44	1.99	7.34	2.04	8.16	2.10	8.78	2.11
	22	5.55	0.85	6.95	1.13	8.01	1.41	8.82	1.46	9.63	1.51	10.24	1.52
	25	5.25	0.94	6.65	1.22	7.71	1.52	8.52	1.57	9.32	1.63	9.94	1.64
	32	4.83	1.07	6.22	1.36	7.29	1.67	8.09	1.73	8.90	1.78	9.52	1.79
	35	4.65	1.13	6.04	1.41	7.11	1.74	7.91	1.80	8.72	1.85	9.34	1.86
7+7+9+15	40	4.34	1.22	5.74	1.51	6.80	1.85	7.61	1.91	8.42	1.96	9.03	1.97
	43	4.16	1.28	5.56	1.56	6.62	1.92	7.43	1.97	8.24	2.03	8.85	2.04
	46	3.98	1.33	5.38	1.62	6.44	1.99	7.34	2.04	8.16	2.10	8.78	2.11
	22	5.55	0.85	6.95	1.13	8.01	1.41	8.82	1.46	9.63	1.51	10.24	1.52
	25	5.25	0.94	6.65	1.22	7.71	1.52	8.52	1.57	9.32	1.63	9.94	1.64
	32	4.83	1.07	6.22	1.36	7.29	1.67	8.09	1.73	8.90	1.78	9.52	1.79
7+7+12+12	35	4.65	1.13	6.04	1.41	7.11	1.74	7.91	1.80	8.72	1.85	9.34	1.86
	40	4.34	1.22	5.74	1.51	6.80	1.85	7.61	1.91	8.42	1.96	9.03	1.97
	43	4.16	1.28	5.56	1.56	6.62	1.92	7.43	1.97	8.24	2.03	8.85	2.04
	46	3.98	1.33	5.38	1.62	6.44	1.99	7.34	2.04	8.16	2.10	8.78	2.11
	22	5.55	0.85	6.95	1.13	8.01	1.41	8.82	1.46	9.63	1.51	10.24	1.52
	25	5.25	0.94	6.65	1.22	7.71	1.52	8.52	1.57	9.32	1.63	9.94	1.64
5+5+5+24	32	4.83	1.07	6.22	1.36	7.29	1.67	8.09	1.73	8.90	1.78	9.52	1.79
	35	4.65	1.13	6.04	1.41	7.11	1.74	7.91	1.80	8.72	1.85	9.34	1.86
	40	4.34	1.22	5.74	1.51	6.80	1.85	7.61	1.91	8.42	1.96	9.03	1.97
	43	4.16	1.28	5.56	1.56	6.62	1.92	7.43	1.97	8.24	2.03	8.85	2.04
	46	3.98	1.33	5.38	1.62	6.44	1.99	7.34	2.04	8.16	2.10	8.78	2.11
	22	5.55	0.85	6.95	1.13	8.01	1.41	8.82	1.46	9.63	1.51	10.24	1.52
5+7+9+18	25	5.25	0.94	6.65	1.22	7.71	1.52	8.52	1.57	9.32	1.63	9.94	1.64
	32	4.83	1.07	6.22	1.36	7.29	1.67	8.09	1.73	8.90	1.78	9.52	1.79
	35	4.65	1.13	6.04	1.41	7.11	1.74	7.91	1.80	8.72	1.85	9.34	1.86
	40	4.34	1.22	5.74	1.51	6.80	1.85	7.61	1.91	8.42	1.96	9.03	1.97
	43	4.16	1.28	5.56	1.56	6.62	1.92	7.43	1.97	8.24	2.03	8.85	2.04
	46	3.98	1.33	5.38	1.62	6.44	1.99	7.34	2.04	8.16	2.10	8.78	2.11
5+7+12+15	22	5.55	0.85	6.95	1.13	8.01	1.41	8.82	1.46	9.63	1.51	10.24	1.52
	25	5.25	0.94	6.65	1.22	7.71	1.52	8.52	1.57	9.32	1.63	9.94	1.64
	32	4.83	1.07	6.22	1.36	7.29	1.67	8.09	1.73	8.90	1.78	9.52	1.79
	35	4.65	1.13	6.04	1.41	7.11	1.74	7.91	1.80	8.72	1.85	9.34	1.86
	40	4.34	1.22	5.74	1.51	6.80	1.85	7.61	1.91	8.42	1.96	9.03	1.97
	43	4.16	1.28	5.56	1.56	6.62	1.92	7.43	1.97	8.24	2.03	8.85	2.04
9+9+9+12	46	3.98	1.33	5.38	1.62	6.44	1.99	7.34	2.04	8.16	2.10	8.78	2.11
	22	5.55	0.85	6.95	1.13	8.01	1.41	8.82	1.46	9.63	1.51	10.24	1.52
	25	5.25	0.94	6.65	1.22	7.71	1.52	8.52	1.57	9.32	1.63	9.94	1.64
	32	4.83	1.07	6.22	1.36	7.29	1.67	8.09	1.73	8.90	1.78	9.52	1.79
	35	4.65	1.13	6.04	1.41	7.11	1.74	7.91	1.80	8.72	1.85	9.34	1.86
	40	4.34	1.22	5.74	1.51	6.80	1.85	7.61	1.91	8.42	1.96	9.03	1.97
7+7+7+18	43	4.16	1.28	5.56	1.56	6.62	1.92	7.43	1.97	8.24	2.03	8.85	2.04
	46	3.98	1.33	5.38	1.62	6.44	1.99	7.34	2.04	8.16	2.10	8.78	2.11
	22	5.55	0.85	6.95	1.13	8.01	1.41	8.82	1.46	9.63	1.51	10.24	1.52
	25	5.25	0.94	6.65	1.22	7.71	1.52	8.52	1.57	9.32	1.63	9.94	1.64
	32	4.83	1.07	6.22	1.36	7.29	1.67	8.09	1.73	8.90	1.78	9.52	1.79
	35	4.65	1.13	6.04	1.41	7.11	1.74	7.91	1.80	8.72	1.85	9.34	1.86

5. Capacity tables

Cooling Capacity [-27G-]

Combination capacity index (kBtu/h)	Outdoor Air Temp. (°CDB)	Indoor Air Temp. (°CWB)											
		14		16		18		19		22		24	
		TC	PI	TC	PI	TC	PI	TC	PI	TC	PI	TC	PI
7+9+9+15	22	5.55	0.85	6.95	1.13	8.01	1.41	8.82	1.46	9.63	1.51	10.24	1.52
	25	5.25	0.94	6.65	1.22	7.71	1.52	8.52	1.57	9.32	1.63	9.94	1.64
	32	4.83	1.07	6.22	1.36	7.29	1.67	8.09	1.73	8.90	1.78	9.52	1.79
	35	4.65	1.13	6.04	1.41	7.11	1.74	7.91	1.80	8.72	1.85	9.34	1.86
	40	4.34	1.22	5.74	1.51	6.80	1.85	7.61	1.91	8.42	1.96	9.03	1.97
	43	4.16	1.28	5.56	1.56	6.62	1.92	7.43	1.97	8.24	2.03	8.85	2.04
	46	3.98	1.33	5.38	1.62	6.44	1.99	7.34	2.04	8.16	2.10	8.78	2.11
7+9+12+12	22	5.55	0.85	6.95	1.13	8.01	1.41	8.82	1.46	9.63	1.51	10.24	1.52
	25	5.25	0.94	6.65	1.22	7.71	1.52	8.52	1.57	9.32	1.63	9.94	1.64
	32	4.83	1.07	6.22	1.36	7.29	1.67	8.09	1.73	8.90	1.78	9.52	1.79
	35	4.65	1.13	6.04	1.41	7.11	1.74	7.91	1.80	8.72	1.85	9.34	1.86
	40	4.34	1.22	5.74	1.51	6.80	1.85	7.61	1.91	8.42	1.96	9.03	1.97
	43	4.16	1.28	5.56	1.56	6.62	1.92	7.43	1.97	8.24	2.03	8.85	2.04
	46	3.98	1.33	5.38	1.62	6.44	1.99	7.34	2.04	8.16	2.10	8.78	2.11
5+5+7+24	22	5.55	0.85	6.95	1.13	8.01	1.41	8.82	1.46	9.63	1.51	10.24	1.52
	25	5.25	0.94	6.65	1.22	7.71	1.52	8.52	1.57	9.32	1.63	9.94	1.64
	32	4.83	1.07	6.22	1.36	7.29	1.67	8.09	1.73	8.90	1.78	9.52	1.79
	35	4.65	1.13	6.04	1.41	7.11	1.74	7.91	1.80	8.72	1.85	9.34	1.86
	40	4.34	1.22	5.74	1.51	6.80	1.85	7.61	1.91	8.42	1.96	9.03	1.97
	43	4.16	1.28	5.56	1.56	6.62	1.92	7.43	1.97	8.24	2.03	8.85	2.04
	46	3.98	1.33	5.38	1.62	6.44	1.99	7.34	2.04	8.16	2.10	8.78	2.11
5+9+12+15	22	5.55	0.85	6.95	1.13	8.01	1.41	8.82	1.46	9.63	1.51	10.24	1.52
	25	5.25	0.94	6.65	1.22	7.71	1.52	8.52	1.57	9.32	1.63	9.94	1.64
	32	4.83	1.07	6.22	1.36	7.29	1.67	8.09	1.73	8.90	1.78	9.52	1.79
	35	4.65	1.13	6.04	1.41	7.11	1.74	7.91	1.80	8.72	1.85	9.34	1.86
	40	4.34	1.22	5.74	1.51	6.80	1.85	7.61	1.91	8.42	1.96	9.03	1.97
	43	4.16	1.28	5.56	1.56	6.62	1.92	7.43	1.97	8.24	2.03	8.85	2.04
	46	3.98	1.33	5.38	1.62	6.44	1.99	7.34	2.04	8.16	2.10	8.78	2.11
5+12+12+12	22	5.55	0.85	6.95	1.13	8.01	1.41	8.82	1.46	9.63	1.51	10.24	1.52
	25	5.25	0.94	6.65	1.22	7.71	1.52	8.52	1.57	9.32	1.63	9.94	1.64
	32	4.83	1.07	6.22	1.36	7.29	1.67	8.09	1.73	8.90	1.78	9.52	1.79
	35	4.65	1.13	6.04	1.41	7.11	1.74	7.91	1.80	8.72	1.85	9.34	1.86
	40	4.34	1.22	5.74	1.51	6.80	1.85	7.61	1.91	8.42	1.96	9.03	1.97
	43	4.16	1.28	5.56	1.56	6.62	1.92	7.43	1.97	8.24	2.03	8.85	2.04
	46	3.98	1.33	5.38	1.62	6.44	1.99	7.34	2.04	8.16	2.10	8.78	2.11
7+7+12+15	22	5.55	0.85	6.95	1.13	8.01	1.41	8.82	1.46	9.63	1.51	10.24	1.52
	25	5.25	0.94	6.65	1.22	7.71	1.52	8.52	1.57	9.32	1.63	9.94	1.64
	32	4.83	1.07	6.22	1.36	7.29	1.67	8.09	1.73	8.90	1.78	9.52	1.79
	35	4.65	1.13	6.04	1.41	7.11	1.74	7.91	1.80	8.72	1.85	9.34	1.86
	40	4.34	1.22	5.74	1.51	6.80	1.85	7.61	1.91	8.42	1.96	9.03	1.97
	43	4.16	1.28	5.56	1.56	6.62	1.92	7.43	1.97	8.24	2.03	8.85	2.04
	46	3.98	1.33	5.38	1.62	6.44	1.99	7.34	2.04	8.16	2.10	8.78	2.11
7+7+9+18	22	5.55	0.85	6.95	1.13	8.01	1.41	8.82	1.46	9.63	1.51	10.24	1.52
	25	5.25	0.94	6.65	1.22	7.71	1.52	8.52	1.57	9.32	1.63	9.94	1.64
	32	4.83	1.07	6.22	1.36	7.29	1.67	8.09	1.73	8.90	1.78	9.52	1.79
	35	4.65	1.13	6.04	1.41	7.11	1.74	7.91	1.80	8.72	1.85	9.34	1.86
	40	4.34	1.22	5.74	1.51	6.80	1.85	7.61	1.91	8.42	1.96	9.03	1.97
	43	4.16	1.28	5.56	1.56	6.62	1.92	7.43	1.97	8.24	2.03	8.85	2.04
	46	3.98	1.33	5.38	1.62	6.44	1.99	7.34	2.04	8.16	2.10	8.78	2.11

Note

1. DB : Dry bulb temperature(°C), WB : Wet bulb temperature(°C)
2. TC : Total capacity(kW)
3. PI : Power Input (kW, Compressor + indoor fan motor + outdoor fan motor)
4. All capacities are net. A deduction (cooling mode) or an addition (heating mode) of Capacity due to operating heat of indoor unit motor is reflected.
5. Capacities are based on the following conditions ;
 - Interconnecting Piping Length (Both Main pipe and Branch pipe) is standard length.
 - Difference of Elevation (Outdoor ~ Indoor Unit) is 0 m.
6. Direct interpolation is permissible. Do not extrapolate.
7. Rated capacities and power inputs are based on standard temperature and piping conditions, and it can be found on specifications table. Except for rated value, the performance is not guaranteed.
8. In accordance with the test standard(or nations) and indoor unit's combinations, the rating will vary slightly.

5. Capacity tables

◆ Heating Capacity

Heating Capacity [-27G-]

Combination Capacity Index (kBtu/h)	Outdoor Air Temp. (°CWB)	Indoor Air Temp. (°CDB)											
		16.0		18.0		20.0		21.0		22.0		24.0	
		TC	PI	TC	PI	TC	PI	TC	PI	TC	PI	TC	PI
1 Unit Operation													
5	-15.0	1.78	1.17	1.70	1.14	1.61	1.11	1.58	1.10	1.55	1.08	1.48	1.05
	-10.0	1.78	1.05	1.70	1.02	1.61	0.99	1.58	0.98	1.55	0.96	1.48	0.93
	-5.0	1.78	0.93	1.70	0.90	1.61	0.87	1.58	0.86	1.55	0.84	1.48	0.81
	0.0	1.78	0.81	1.70	0.78	1.61	0.75	1.58	0.74	1.55	0.72	1.48	0.69
	6.0	1.78	0.67	1.70	0.64	1.61	0.61	1.58	0.59	1.55	0.58	1.48	0.55
	10.0	1.78	0.62	1.70	0.59	1.61	0.57	1.58	0.55	1.55	0.54	1.48	0.51
7	-15.0	2.73	1.22	2.59	1.19	2.46	1.16	2.41	1.14	2.36	1.13	2.27	1.09
	-10.0	2.73	1.10	2.59	1.07	2.46	1.03	2.41	1.02	2.36	1.00	2.27	0.97
	-5.0	2.73	0.97	2.59	0.94	2.46	0.91	2.41	0.89	2.36	0.88	2.27	0.85
	0.0	2.73	0.85	2.59	0.82	2.46	0.79	2.41	0.77	2.36	0.75	2.27	0.72
	6.0	2.73	0.70	2.59	0.67	2.46	0.64	2.41	0.62	2.36	0.60	2.27	0.57
	10.0	2.73	0.65	2.59	0.62	2.46	0.59	2.41	0.58	2.36	0.56	2.27	0.53
9	-15.0	3.50	1.59	3.33	1.55	3.17	1.50	3.10	1.48	3.04	1.46	2.91	1.42
	-10.0	3.50	1.43	3.33	1.38	3.17	1.34	3.10	1.32	3.04	1.30	2.91	1.26
	-5.0	3.50	1.26	3.33	1.22	3.17	1.18	3.10	1.16	3.04	1.14	2.91	1.10
	0.0	3.50	1.10	3.33	1.06	3.17	1.02	3.10	1.00	3.04	0.98	2.91	0.94
	6.0	3.50	0.91	3.33	0.87	3.17	0.83	3.10	0.81	3.04	0.78	2.91	0.74
	10.0	3.50	0.84	3.33	0.80	3.17	0.77	3.10	0.75	3.04	0.73	2.91	0.69
12	-15.0	4.28	1.96	4.08	1.91	3.87	1.86	3.79	1.83	3.71	1.81	3.56	1.76
	-10.0	4.28	1.76	4.08	1.71	3.87	1.66	3.79	1.63	3.71	1.61	3.56	1.56
	-5.0	4.28	1.56	4.08	1.51	3.87	1.46	3.79	1.43	3.71	1.41	3.56	1.36
	0.0	4.28	1.36	4.08	1.31	3.87	1.26	3.79	1.23	3.71	1.21	3.56	1.16
	6.0	4.28	1.12	4.08	1.07	3.87	1.02	3.79	1.00	3.71	0.97	3.56	0.92
	10.0	4.28	1.04	4.08	0.99	3.87	0.95	3.79	0.92	3.71	0.90	3.56	0.85
15	-15.0	5.35	2.04	5.09	2.17	4.84	2.30	4.74	2.30	4.64	2.26	4.45	2.20
	-10.0	5.35	2.21	5.09	2.14	4.84	2.08	4.74	2.05	4.64	2.01	4.45	1.95
	-5.0	5.35	1.96	5.09	1.89	4.84	1.83	4.74	1.80	4.64	1.77	4.45	1.70
	0.0	5.35	1.71	5.09	1.64	4.84	1.58	4.74	1.55	4.64	1.52	4.45	1.45
	6.0	5.35	1.41	5.09	1.34	4.84	1.28	4.74	1.25	4.64	1.22	4.45	1.15
	10.0	5.35	1.30	5.09	1.25	4.84	1.19	4.74	1.16	4.64	1.13	4.45	1.07
18	-15.0	6.07	2.06	6.02	2.19	5.80	2.32	5.69	2.39	5.57	2.46	5.34	2.59
	-10.0	6.42	2.32	6.11	2.46	5.80	2.56	5.69	2.52	5.57	2.48	5.34	2.41
	-5.0	6.42	2.41	6.11	2.33	5.80	2.25	5.69	2.22	5.57	2.18	5.34	2.10
	0.0	6.42	2.10	6.11	2.03	5.80	1.95	5.69	1.91	5.57	1.87	5.34	1.79
	6.0	6.42	1.74	6.11	1.66	5.80	1.58	5.69	1.54	5.57	1.50	5.34	1.42
	10.0	6.42	1.61	6.11	1.53	5.80	1.46	5.69	1.43	5.57	1.39	5.34	1.32
24	-15.0	6.18	2.15	6.13	2.28	6.09	2.42	6.07	2.49	6.05	2.56	6.01	2.70
	-10.0	7.12	2.42	7.08	2.56	7.03	2.70	7.01	2.76	7.00	2.83	6.85	2.97
	-5.0	8.07	2.70	7.84	2.83	7.44	2.97	7.30	2.90	7.15	2.82	6.85	2.67
	0.0	8.24	2.97	7.84	2.77	7.44	2.56	7.30	2.50	7.15	2.44	6.85	2.31
	6.0	8.24	2.29	7.84	2.18	7.44	2.08	7.30	2.03	7.15	1.97	6.85	1.87
	10.0	8.24	2.12	7.84	2.02	7.44	1.93	7.30	1.88	7.15	1.83	6.85	1.73
2 Units Operation													
5+5	-15.0	3.89	1.48	3.71	1.45	3.52	1.41	3.45	1.39	3.38	1.37	3.24	1.33
	-10.0	3.89	1.33	3.71	1.29	3.52	1.26	3.45	1.24	3.38	1.22	3.24	1.18
	-5.0	3.89	1.18	3.71	1.14	3.52	1.10	3.45	1.09	3.38	1.07	3.24	1.03
	0.0	3.89	1.03	3.71	0.99	3.52	0.95	3.45	0.93	3.38	0.92	3.24	0.88
	6.0	3.89	0.85	3.71	0.81	3.52	0.77	3.45	0.75	3.38	0.73	3.24	0.70
	10.0	3.89	0.79	3.71	0.75	3.52	0.72	3.45	0.70	3.38	0.68	3.24	0.64
5+7	-15.0	4.67	1.81	4.45	1.76	4.22	1.71	4.14	1.69	4.05	1.66	3.88	1.62
	-10.0	4.67	1.62	4.45	1.57	4.22	1.53	4.14	1.50	4.05	1.48	3.88	1.43
	-5.0	4.67	1.44	4.45	1.39	4.22	1.34	4.14	1.32	4.05	1.30	3.88	1.25
	0.0	4.67	1.25	4.45	1.21	4.22	1.16	4.14	1.14	4.05	1.11	3.88	1.07
	6.0	4.67	1.03	4.45	0.99	4.22	0.94	4.14	0.92	4.05	0.89	3.88	0.85
	10.0	4.67	0.96	4.45	0.92	4.22	0.87	4.14	0.85	4.05	0.83	3.88	0.78
5+9	-15.0	5.45	2.04	5.19	2.08	4.92	2.02	4.83	2.00	4.73	1.97	4.53	1.91
	-10.0	5.45	1.92	5.19	1.86	4.92	1.81	4.83	1.78	4.73	1.75	4.53	1.70
	-5.0	5.45	1.70	5.19	1.65	4.92	1.59	4.83	1.56	4.73	1.53	4.53	1.48
	0.0	5.45	1.48	5.19	1.43	4.92	1.37	4.83	1.35	4.73	1.32	4.53	1.26
	6.0	5.45	1.22	5.19	1.17	4.92	1.11	4.83	1.08	4.73	1.06	4.53	1.00
	10.0	5.45	1.13	5.19	1.08	4.92	1.03	4.83	1.01	4.73	0.98	4.53	0.93
15.0	5.45	1.02	5.19	0.98	4.92	0.93	4.83	0.91	4.73	0.88	4.53	0.84	

5. Capacity tables

Heating Capacity [-27G-]

Combination Capacity Index (kBtu/h)	Outdoor Air Temp. (°WB)	Indoor Air Temp. (°DB)											
		16.0		18.0		20.0		21.0		22.0		24.0	
		TC	PI	TC	PI	TC	PI	TC	PI	TC	PI	TC	PI
7+7	-15.0	5.45	2.04	5.19	2.08	4.92	2.02	4.83	2.00	4.73	1.97	4.53	1.91
	-10.0	5.45	1.92	5.19	1.86	4.92	1.81	4.83	1.78	4.73	1.75	4.53	1.70
	-5.0	5.45	1.70	5.19	1.65	4.92	1.59	4.83	1.56	4.73	1.53	4.53	1.48
	0.0	5.45	1.48	5.19	1.43	4.92	1.37	4.83	1.35	4.73	1.32	4.53	1.26
	6.0	5.45	1.22	5.19	1.17	4.92	1.11	4.83	1.08	4.73	1.06	4.53	1.00
	10.0	5.45	1.13	5.19	1.08	4.92	1.03	4.83	1.01	4.73	0.98	4.53	0.93
7+9	-15.0	6.05	2.06	5.93	2.19	5.63	2.32	5.51	2.31	5.40	2.28	5.18	2.22
	-10.0	6.23	2.22	5.93	2.16	5.63	2.09	5.51	2.06	5.40	2.03	5.18	1.97
	-5.0	6.23	1.97	5.93	1.91	5.63	1.84	5.51	1.81	5.40	1.78	5.18	1.71
	0.0	6.23	1.72	5.93	1.66	5.63	1.59	5.51	1.56	5.40	1.53	5.18	1.46
	6.0	6.23	1.42	5.93	1.35	5.63	1.29	5.51	1.26	5.40	1.22	5.18	1.16
	10.0	6.23	1.31	5.93	1.25	5.63	1.19	5.51	1.16	5.40	1.14	5.18	1.08
5+12	-15.0	6.08	2.06	6.03	2.20	5.98	2.33	5.86	2.39	5.74	2.46	5.50	2.40
	-10.0	6.62	2.33	6.30	2.33	5.98	2.26	5.86	2.23	5.74	2.19	5.50	2.12
	-5.0	6.62	2.13	6.30	2.06	5.98	1.99	5.86	1.96	5.74	1.92	5.50	1.85
	0.0	6.62	1.86	6.30	1.79	5.98	1.72	5.86	1.68	5.74	1.65	5.50	1.58
	6.0	6.62	1.53	6.30	1.46	5.98	1.39	5.86	1.36	5.74	1.32	5.50	1.25
	10.0	6.62	1.42	6.30	1.36	5.98	1.29	5.86	1.26	5.74	1.23	5.50	1.16
9+9	-15.0	6.10	2.07	6.06	2.21	6.01	2.34	6.00	2.40	5.98	2.47	5.82	2.53
	-10.0	7.01	2.34	6.67	2.46	6.33	2.39	6.20	2.35	6.08	2.32	5.82	2.24
	-5.0	7.01	2.25	6.67	2.18	6.33	2.10	6.20	2.07	6.08	2.03	5.82	1.96
	0.0	7.01	1.96	6.67	1.89	6.33	1.82	6.20	1.78	6.08	1.74	5.82	1.67
	6.0	7.01	1.62	6.67	1.54	6.33	1.47	6.20	1.43	6.08	1.40	5.82	1.32
	10.0	7.01	1.50	6.67	1.43	6.33	1.36	6.20	1.33	6.08	1.29	5.82	1.23
7+12	-15.0	6.13	2.08	6.08	2.21	6.04	2.35	6.02	2.41	6.00	2.48	5.96	2.61
	-10.0	7.06	2.35	7.02	2.48	6.68	2.56	6.55	2.52	6.42	2.48	6.15	2.40
	-5.0	7.40	2.41	7.04	2.33	6.68	2.25	6.55	2.21	6.42	2.18	6.15	2.10
	0.0	7.40	2.10	7.04	2.03	6.68	1.95	6.55	1.91	6.42	1.87	6.15	1.79
	6.0	7.40	1.73	7.04	1.66	6.68	1.58	6.55	1.54	6.42	1.50	6.15	1.42
	10.0	7.40	1.61	7.04	1.53	6.68	1.46	6.55	1.42	6.42	1.39	6.15	1.32
5+15	-15.0	6.15	2.09	6.11	2.22	6.06	2.36	6.04	2.42	6.02	2.49	5.99	2.62
	-10.0	7.09	2.36	7.05	2.49	7.00	2.62	6.89	2.65	6.75	2.61	6.47	2.53
	-5.0	7.79	2.54	7.41	2.45	7.03	2.37	6.89	2.33	6.75	2.29	6.47	2.20
	0.0	7.79	2.21	7.41	2.13	7.03	2.05	6.89	2.00	6.75	1.96	6.47	1.88
	6.0	7.79	1.82	7.41	1.74	7.03	1.66	6.89	1.62	6.75	1.57	6.47	1.49
	10.0	7.79	1.69	7.41	1.61	7.03	1.54	6.89	1.50	6.75	1.46	6.47	1.38
9+12	-15.0	6.17	2.10	6.13	2.23	6.09	2.37	6.07	2.43	6.05	2.50	6.01	2.63
	-10.0	7.12	2.37	7.07	2.50	7.03	2.63	7.01	2.70	6.99	2.77	6.80	2.69
	-5.0	8.06	2.63	7.78	2.61	7.39	2.52	7.24	2.48	7.09	2.44	6.80	2.35
	0.0	8.18	2.36	7.78	2.27	7.39	2.18	7.24	2.14	7.09	2.09	6.80	2.00
	6.0	8.18	1.94	7.78	1.85	7.39	1.77	7.24	1.72	7.09	1.68	6.80	1.59
	10.0	8.18	1.80	7.78	1.72	7.39	1.64	7.24	1.60	7.09	1.55	6.80	1.47
7+15	-15.0	6.20	2.11	6.15	2.24	6.11	2.37	6.09	2.44	6.07	2.51	6.03	2.64
	-10.0	7.15	2.37	7.10	2.51	7.06	2.64	7.04	2.71	7.02	2.78	6.98	2.82
	-5.0	8.09	2.64	8.05	2.74	7.74	2.64	7.58	2.60	7.43	2.55	7.12	2.46
	0.0	8.57	2.47	8.15	2.37	7.74	2.28	7.58	2.24	7.43	2.19	7.12	2.10
	6.0	8.57	2.03	8.15	1.94	7.74	1.85	7.58	1.80	7.43	1.76	7.12	1.66
	10.0	8.57	1.89	8.15	1.80	7.74	1.71	7.58	1.67	7.43	1.63	7.12	1.54
5+18	-15.0	6.22	2.11	6.18	2.25	6.13	2.38	6.12	2.45	6.10	2.52	6.06	2.65
	-10.0	7.17	2.38	7.13	2.52	7.09	2.65	7.07	2.72	7.05	2.79	7.01	2.92
	-5.0	8.12	2.65	8.08	2.79	8.04	2.80	7.93	2.75	7.77	2.70	7.44	2.61
	0.0	8.95	2.62	8.52	2.52	8.09	2.42	7.93	2.37	7.77	2.32	7.44	2.22
	6.0	8.95	2.16	8.52	2.06	8.09	1.96	7.93	1.91	7.77	1.86	7.44	1.76
	10.0	8.95	2.00	8.52	1.91	8.09	1.82	7.93	1.77	7.77	1.73	7.44	1.64
9+15	-15.0	6.25	2.12	6.20	2.26	6.16	2.39	6.14	2.46	6.12	2.53	6.08	2.66
	-10.0	7.20	2.39	7.16	2.53	7.11	2.66	7.09	2.73	7.07	2.80	7.03	2.94
	-5.0	8.16	2.66	8.11	2.80	8.07	2.92	8.05	2.86	8.03	2.79	7.77	2.64
	0.0	9.11	2.73	8.89	2.63	8.44	2.52	8.27	2.47	8.10	2.41	7.77	2.28
	6.0	9.34	2.25	8.89	2.15	8.44	2.04	8.27	1.99	8.10	1.94	7.77	1.84
	10.0	9.34	2.09	8.89	1.99	8.44	1.90	8.27	1.85	8.10	1.80	7.77	1.71
	15.0	9.34	1.88	8.89	1.79	8.44	1.71	8.27	1.67	8.10	1.62	7.77	1.54

5. Capacity tables

Heating Capacity [-27G-]

Combination Capacity Index (kBtu/h)	Outdoor Air Temp. (°WB)	Indoor Air Temp. (°DB)											
		16.0		18.0		20.0		21.0		22.0		24.0	
		TC	PI	TC	PI	TC	PI	TC	PI	TC	PI	TC	PI
12+12	-15.0	6.25	2.12	6.20	2.26	6.16	2.39	6.14	2.46	6.12	2.53	6.08	2.66
	-10.0	7.20	2.39	7.16	2.53	7.11	2.66	7.09	2.73	7.07	2.80	7.03	2.94
	-5.0	8.16	2.66	8.11	2.80	8.07	2.92	8.05	2.86	8.03	2.79	7.77	2.64
	0.0	9.11	2.73	8.89	2.63	8.44	2.52	8.27	2.47	8.10	2.41	7.77	2.28
	6.0	9.34	2.25	8.89	2.15	8.44	2.04	8.27	1.99	8.10	1.94	7.77	1.84
	10.0	9.34	2.09	8.89	1.99	8.44	1.90	8.27	1.85	8.10	1.80	7.77	1.71
7+18	15.0	9.34	1.88	8.89	1.79	8.44	1.71	8.27	1.67	8.10	1.62	7.77	1.54
	-15.0	6.27	2.27	6.23	2.41	6.18	2.56	6.16	2.63	6.14	2.70	6.10	2.85
	-10.0	7.23	2.56	7.19	2.70	7.14	2.85	7.12	2.92	7.10	2.99	7.06	3.14
	-5.0	8.19	2.85	8.14	2.99	8.10	3.14	8.08	3.06	8.06	2.98	8.02	2.82
	0.0	9.15	3.14	9.10	2.92	8.79	2.71	8.62	2.64	8.44	2.57	8.09	2.44
	6.0	9.73	2.41	9.26	2.30	8.79	2.19	8.62	2.14	8.44	2.08	8.09	1.98
9+18	10.0	9.73	2.24	9.26	2.14	8.79	2.03	8.62	1.98	8.44	1.93	8.09	1.83
	15.0	9.73	2.02	9.26	1.92	8.79	1.83	8.62	1.79	8.44	1.74	8.09	1.65
	-15.0	6.29	2.23	6.25	2.37	6.20	2.51	6.18	2.58	6.16	2.66	6.12	2.80
	-10.0	7.25	2.51	7.21	2.66	7.16	2.80	7.14	2.87	7.12	2.94	7.08	3.08
	-5.0	8.21	2.80	8.17	2.94	8.12	3.08	8.10	3.01	8.08	2.93	8.05	2.78
	0.0	9.18	3.08	9.13	2.87	9.09	2.66	8.90	2.60	8.72	2.53	8.36	2.40
12+15	6.0	10.06	2.37	9.57	2.26	9.09	2.16	8.90	2.10	8.72	2.05	8.36	1.94
	10.0	10.06	2.20	9.57	2.10	9.09	2.00	8.90	1.95	8.72	1.90	8.36	1.80
	15.0	10.06	1.98	9.57	1.89	9.09	1.80	8.90	1.76	8.72	1.71	8.36	1.62
	-15.0	6.29	2.23	6.25	2.37	6.20	2.51	6.18	2.58	6.16	2.66	6.12	2.80
	-10.0	7.25	2.51	7.21	2.66	7.16	2.80	7.14	2.87	7.12	2.94	7.08	3.08
	-5.0	8.21	2.80	8.17	2.94	8.12	3.08	8.10	3.01	8.08	2.93	8.05	2.78
5+24	0.0	9.18	3.08	9.13	2.87	9.09	2.66	8.90	2.60	8.72	2.53	8.36	2.40
	6.0	10.06	2.37	9.57	2.26	9.09	2.16	8.90	2.10	8.72	2.05	8.36	1.94
	10.0	10.06	2.20	9.57	2.10	9.09	2.00	8.90	1.95	8.72	1.90	8.36	1.80
	15.0	10.06	1.98	9.57	1.89	9.09	1.80	8.90	1.76	8.72	1.71	8.36	1.62
	-15.0	6.29	2.23	6.25	2.37	6.20	2.51	6.18	2.58	6.16	2.66	6.12	2.80
	-10.0	7.25	2.51	7.21	2.66	7.16	2.80	7.14	2.87	7.12	2.94	7.08	3.08
12+18	-5.0	8.21	2.80	8.17	2.94	8.12	3.08	8.10	3.01	8.08	2.93	8.05	2.78
	0.0	9.18	3.08	9.13	2.87	9.09	2.66	8.90	2.60	8.72	2.53	8.36	2.40
	6.0	10.06	2.37	9.57	2.26	9.09	2.16	8.90	2.10	8.72	2.05	8.36	1.94
	10.0	10.06	2.20	9.57	2.10	9.09	2.00	8.90	1.95	8.72	1.90	8.36	1.80
	15.0	10.06	1.98	9.57	1.89	9.09	1.80	8.90	1.76	8.72	1.71	8.36	1.62
	-15.0	6.29	2.23	6.25	2.37	6.20	2.51	6.18	2.58	6.16	2.66	6.12	2.80
15+15	-10.0	7.25	2.51	7.21	2.66	7.16	2.80	7.14	2.87	7.12	2.94	7.08	3.08
	-5.0	8.21	2.80	8.17	2.94	8.12	3.08	8.10	3.01	8.08	2.93	8.05	2.78
	0.0	9.18	3.08	9.13	2.87	9.09	2.66	8.90	2.60	8.72	2.53	8.36	2.40
	6.0	10.06	2.37	9.57	2.26	9.09	2.16	8.90	2.10	8.72	2.05	8.36	1.94
	10.0	10.06	2.20	9.57	2.10	9.09	2.00	8.90	1.95	8.72	1.90	8.36	1.80
	15.0	10.06	1.98	9.57	1.89	9.09	1.80	8.90	1.76	8.72	1.71	8.36	1.62
7+24	-15.0	6.29	2.23	6.25	2.37	6.20	2.51	6.18	2.58	6.16	2.66	6.12	2.80
	-10.0	7.25	2.51	7.21	2.66	7.16	2.80	7.14	2.87	7.12	2.94	7.08	3.08
	-5.0	8.21	2.80	8.17	2.94	8.12	3.08	8.10	3.01	8.08	2.93	8.05	2.78
	0.0	9.18	3.08	9.13	2.87	9.09	2.66	8.90	2.60	8.72	2.53	8.36	2.40
	6.0	10.06	2.37	9.57	2.26	9.09	2.16	8.90	2.10	8.72	2.05	8.36	1.94
	10.0	10.06	2.20	9.57	2.10	9.09	2.00	8.90	1.95	8.72	1.90	8.36	1.80
9+24	15.0	10.06	1.98	9.57	1.89	9.09	1.80	8.90	1.76	8.72	1.71	8.36	1.62
	-15.0	6.29	2.23	6.25	2.37	6.20	2.51	6.18	2.58	6.16	2.66	6.12	2.80
	-10.0	7.25	2.51	7.21	2.66	7.16	2.80	7.14	2.87	7.12	2.94	7.08	3.08
	-5.0	8.21	2.80	8.17	2.94	8.12	3.08	8.10	3.01	8.08	2.93	8.05	2.78
	0.0	9.18	3.08	9.13	2.87	9.09	2.66	8.90	2.60	8.72	2.53	8.36	2.40
	6.0	10.06	2.37	9.57	2.26	9.09	2.16	8.90	2.10	8.72	2.05	8.36	1.94
15+18	10.0	10.06	2.20	9.57	2.10	9.09	2.00	8.90	1.95	8.72	1.90	8.36	1.80
	15.0	10.06	1.98	9.57	1.89	9.09	1.80	8.90	1.76	8.72	1.71	8.36	1.62
	-15.0	6.29	2.23	6.25	2.37	6.20	2.51	6.18	2.58	6.16	2.66	6.12	2.80
	-10.0	7.25	2.51	7.21	2.66	7.16	2.80	7.14	2.87	7.12	2.94	7.08	3.08
	-5.0	8.21	2.80	8.17	2.94	8.12	3.08	8.10	3.01	8.08	2.93	8.05	2.78
	0.0	9.18	3.08	9.13	2.87	9.09	2.66	8.90	2.60	8.72	2.53	8.36	2.40

5. Capacity tables

Heating Capacity [-27G-]

Combination Capacity Index (kBtu/h)	Outdoor Air Temp. (°CWB)	Indoor Air Temp. (°CDB)											
		16.0		18.0		20.0		21.0		22.0		24.0	
		TC	PI	TC	PI	TC	PI	TC	PI	TC	PI	TC	PI
18+18	-15.0	6.29	2.23	6.25	2.37	6.20	2.51	6.18	2.58	6.16	2.66	6.12	2.80
	-10.0	7.25	2.51	7.21	2.66	7.16	2.80	7.14	2.87	7.12	2.94	7.08	3.08
	-5.0	8.21	2.80	8.17	2.94	8.12	3.08	8.10	3.01	8.08	2.93	8.05	2.78
	0.0	9.18	3.08	9.13	2.87	9.09	2.66	8.90	2.60	8.72	2.53	8.36	2.40
	6.0	10.06	2.37	9.57	2.26	9.09	2.16	8.90	2.10	8.72	2.05	8.36	1.94
	10.0	10.06	2.20	9.57	2.10	9.09	2.00	8.90	1.95	8.72	1.90	8.36	1.80
12+24	-15.0	6.29	2.23	6.25	2.37	6.20	2.51	6.18	2.58	6.16	2.66	6.12	2.80
	-10.0	7.25	2.51	7.21	2.66	7.16	2.80	7.14	2.87	7.12	2.94	7.08	3.08
	-5.0	8.21	2.80	8.17	2.94	8.12	3.08	8.10	3.01	8.08	2.93	8.05	2.78
	0.0	9.18	3.08	9.13	2.87	9.09	2.66	8.90	2.60	8.72	2.53	8.36	2.40
	6.0	10.06	2.37	9.57	2.26	9.09	2.16	8.90	2.10	8.72	2.05	8.36	1.94
	10.0	10.06	2.20	9.57	2.10	9.09	2.00	8.90	1.95	8.72	1.90	8.36	1.80
15+24	-15.0	6.29	2.23	6.25	2.37	6.20	2.51	6.18	2.58	6.16	2.66	6.12	2.80
	-10.0	7.25	2.51	7.21	2.66	7.16	2.80	7.14	2.87	7.12	2.94	7.08	3.08
	-5.0	8.21	2.80	8.17	2.94	8.12	3.08	8.10	3.01	8.08	2.93	8.05	2.78
	0.0	9.18	3.08	9.13	2.87	9.09	2.66	8.90	2.60	8.72	2.53	8.36	2.40
	6.0	10.06	2.37	9.57	2.26	9.09	2.16	8.90	2.10	8.72	2.05	8.36	1.94
	10.0	10.06	2.20	9.57	2.10	9.09	2.00	8.90	1.95	8.72	1.90	8.36	1.80
3 Units Operation	-15.0	6.29	2.23	6.25	2.37	6.20	2.51	6.18	2.58	6.16	2.66	6.12	2.80
	-10.0	7.25	2.51	7.21	2.66	7.16	2.80	7.14	2.87	7.12	2.94	7.08	3.08
	-5.0	8.21	2.80	8.17	2.94	8.12	3.08	8.10	3.01	8.08	2.93	8.05	2.78
	0.0	9.18	3.08	9.13	2.87	9.09	2.66	8.90	2.60	8.72	2.53	8.36	2.40
	6.0	10.06	2.37	9.57	2.26	9.09	2.16	8.90	2.10	8.72	2.05	8.36	1.94
	10.0	10.06	2.20	9.57	2.10	9.09	2.00	8.90	1.95	8.72	1.90	8.36	1.80
5+5+5	-15.0	5.84	2.05	5.56	2.13	5.28	2.08	5.17	2.05	5.06	2.02	4.85	1.96
	-10.0	5.84	1.97	5.56	1.91	5.28	1.85	5.17	1.82	5.06	1.80	4.85	1.74
	-5.0	5.84	1.74	5.56	1.69	5.28	1.63	5.17	1.60	5.06	1.57	4.85	1.52
	0.0	5.84	1.52	5.56	1.46	5.28	1.41	5.17	1.38	5.06	1.35	4.85	1.29
	6.0	5.84	1.25	5.56	1.20	5.28	1.14	5.17	1.11	5.06	1.08	4.85	1.03
	10.0	5.84	1.16	5.56	1.11	5.28	1.06	5.17	1.03	5.06	1.00	4.85	0.95
5+5+7	-15.0	6.08	2.06	6.03	2.20	5.98	2.33	5.86	2.35	5.74	2.32	5.50	2.25
	-10.0	6.62	2.26	6.30	2.19	5.98	2.13	5.86	2.09	5.74	2.06	5.50	2.00
	-5.0	6.62	2.00	6.30	1.94	5.98	1.87	5.86	1.84	5.74	1.81	5.50	1.74
	0.0	6.62	1.75	6.30	1.68	5.98	1.62	5.86	1.58	5.74	1.55	5.50	1.48
	6.0	6.62	1.44	6.30	1.37	5.98	1.31	5.86	1.28	5.74	1.24	5.50	1.18
	10.0	6.62	1.33	6.30	1.27	5.98	1.21	5.86	1.18	5.74	1.15	5.50	1.09
5+5+9	-15.0	6.13	2.08	6.08	2.21	6.04	2.35	6.02	2.41	6.00	2.48	5.96	2.55
	-10.0	7.06	2.35	7.02	2.48	6.68	2.41	6.55	2.37	6.42	2.33	6.15	2.26
	-5.0	7.40	2.27	7.04	2.19	6.68	2.12	6.55	2.08	6.42	2.04	6.15	1.97
	0.0	7.40	1.98	7.04	1.90	6.68	1.83	6.55	1.79	6.42	1.76	6.15	1.68
	6.0	7.40	1.63	7.04	1.56	6.68	1.48	6.55	1.44	6.42	1.41	6.15	1.33
	10.0	7.40	1.51	7.04	1.44	6.68	1.37	6.55	1.34	6.42	1.30	6.15	1.24
5+7+7	-15.0	6.13	2.08	6.08	2.21	6.04	2.35	6.02	2.41	6.00	2.48	5.96	2.55
	-10.0	7.06	2.35	7.02	2.48	6.68	2.41	6.55	2.37	6.42	2.33	6.15	2.26
	-5.0	7.40	2.27	7.04	2.19	6.68	2.12	6.55	2.08	6.42	2.04	6.15	1.97
	0.0	7.40	1.98	7.04	1.90	6.68	1.83	6.55	1.79	6.42	1.76	6.15	1.68
	6.0	7.40	1.63	7.04	1.56	6.68	1.48	6.55	1.44	6.42	1.41	6.15	1.33
	10.0	7.40	1.51	7.04	1.44	6.68	1.37	6.55	1.34	6.42	1.30	6.15	1.24
5+7+9	-15.0	6.13	2.08	6.08	2.21	6.04	2.35	6.02	2.41	6.00	2.48	5.96	2.55
	-10.0	7.06	2.35	7.02	2.48	6.68	2.41	6.55	2.37	6.42	2.33	6.15	2.26
	-5.0	7.40	2.27	7.04	2.19	6.68	2.12	6.55	2.08	6.42	2.04	6.15	1.97
	0.0	7.40	1.98	7.04	1.90	6.68	1.83	6.55	1.79	6.42	1.76	6.15	1.68
	6.0	7.40	1.63	7.04	1.56	6.68	1.48	6.55	1.44	6.42	1.41	6.15	1.33
	10.0	7.40	1.51	7.04	1.44	6.68	1.37	6.55	1.34	6.42	1.30	6.15	1.24
7+7+7	-15.0	6.17	2.10	6.13	2.23	6.09	2.37	6.07	2.43	6.05	2.50	6.01	2.63
	-10.0	7.12	2.37	7.07	2.50	7.03	2.63	7.01	2.66	6.99	2.61	6.80	2.53
	-5.0	8.06	2.54	7.78	2.46	7.39	2.37	7.24	2.33	7.09	2.29	6.80	2.21
	0.0	8.18	2.22	7.78	2.13	7.39	2.05	7.24	2.01	7.09	1.97	6.80	1.88
	6.0	8.18	1.83	7.78	1.74	7.39	1.66	7.24	1.62	7.09	1.58	6.80	1.49
	10.0	8.18	1.69	7.78	1.62	7.39	1.54	7.24	1.50	7.09	1.46	6.80	1.38
5+5+12	-15.0	6.17	2.10	6.13	2.23	6.09	2.37	6.07	2.43	6.05	2.50	6.01	2.63
	-10.0	7.12	2.37	7.07	2.50	7.03	2.63	7.01	2.66	6.99	2.61	6.80	2.53
	-5.0	8.06	2.54	7.78	2.46	7.39	2.37	7.24	2.33	7.09	2.29	6.80	2.21
	0.0	8.18	2.22	7.78	2.13	7.39	2.05	7.24	2.01	7.09	1.97	6.80	1.88
	6.0	8.18	1.83	7.78	1.74	7.39	1.66	7.24	1.62	7.09	1.58	6.80	1.49
	10.0	8.18	1.69	7.78	1.62	7.39	1.54	7.24	1.50	7.09	1.46	6.80	1.38

5. Capacity tables

Heating Capacity [-27G-]

Combination Capacity Index (kBtu/h)	Outdoor Air Temp. (°WB)	Indoor Air Temp. (°DB)											
		16.0		18.0		20.0		21.0		22.0		24.0	
		TC	PI	TC	PI	TC	PI	TC	PI	TC	PI	TC	PI
5+9+9	-15.0	6.22	2.11	6.18	2.25	6.13	2.38	6.12	2.45	6.10	2.52	6.06	2.65
	-10.0	7.17	2.38	7.13	2.52	7.09	2.65	7.07	2.72	7.05	2.79	7.01	2.81
	-5.0	8.12	2.65	8.08	2.73	8.04	2.63	7.93	2.59	7.77	2.54	7.44	2.45
	0.0	8.95	2.46	8.52	2.37	8.09	2.27	7.93	2.23	7.77	2.18	7.44	2.09
	6.0	8.95	2.03	8.52	1.93	8.09	1.84	7.93	1.80	7.77	1.75	7.44	1.66
	10.0	8.95	1.88	8.52	1.79	8.09	1.71	7.93	1.66	7.77	1.62	7.44	1.54
7+7+9	-15.0	6.22	2.11	6.18	2.25	6.13	2.38	6.12	2.45	6.10	2.52	6.06	2.65
	-10.0	7.17	2.38	7.13	2.52	7.09	2.65	7.07	2.72	7.05	2.79	7.01	2.81
	-5.0	8.12	2.65	8.08	2.73	8.04	2.63	7.93	2.59	7.77	2.54	7.44	2.45
	0.0	8.95	2.46	8.52	2.37	8.09	2.27	7.93	2.23	7.77	2.18	7.44	2.09
	6.0	8.95	2.03	8.52	1.93	8.09	1.84	7.93	1.80	7.77	1.75	7.44	1.66
	10.0	8.95	1.88	8.52	1.79	8.09	1.71	7.93	1.66	7.77	1.62	7.44	1.54
5+7+12	-15.0	6.25	2.12	6.20	2.26	6.16	2.39	6.14	2.46	6.12	2.53	6.08	2.66
	-10.0	7.20	2.39	7.16	2.53	7.11	2.66	7.09	2.73	7.07	2.80	7.03	2.93
	-5.0	8.16	2.66	8.11	2.80	8.07	2.75	8.05	2.70	8.03	2.65	7.77	2.56
	0.0	9.11	2.57	8.89	2.47	8.44	2.37	8.27	2.32	8.10	2.28	7.77	2.18
	6.0	9.34	2.12	8.89	2.02	8.44	1.92	8.27	1.87	8.10	1.83	7.77	1.73
	10.0	9.34	1.96	8.89	1.87	8.44	1.78	8.27	1.74	8.10	1.69	7.77	1.60
5+5+15	-15.0	6.27	2.13	6.23	2.27	6.18	2.40	6.16	2.47	6.14	2.54	6.10	2.68
	-10.0	7.23	2.40	7.19	2.54	7.14	2.68	7.12	2.74	7.10	2.81	7.06	2.95
	-5.0	8.19	2.68	8.14	2.81	8.10	2.95	8.08	2.87	8.06	2.80	8.02	2.65
	0.0	9.15	2.75	9.10	2.65	8.79	2.54	8.62	2.48	8.44	2.42	8.09	2.29
	6.0	9.73	2.27	9.26	2.16	8.79	2.06	8.62	2.01	8.44	1.96	8.09	1.86
	10.0	9.73	2.10	9.26	2.01	8.79	1.91	8.62	1.86	8.44	1.82	8.09	1.72
7+9+9	-15.0	6.27	2.13	6.23	2.27	6.18	2.40	6.16	2.47	6.14	2.54	6.10	2.68
	-10.0	7.23	2.40	7.19	2.54	7.14	2.68	7.12	2.74	7.10	2.81	7.06	2.95
	-5.0	8.19	2.68	8.14	2.81	8.10	2.95	8.08	2.87	8.06	2.80	8.02	2.65
	0.0	9.15	2.75	9.10	2.65	8.79	2.54	8.62	2.48	8.44	2.42	8.09	2.29
	6.0	9.73	2.27	9.26	2.16	8.79	2.06	8.62	2.01	8.44	1.96	8.09	1.86
	10.0	9.73	2.10	9.26	2.01	8.79	1.91	8.62	1.86	8.44	1.82	8.09	1.72
5+9+12	-15.0	6.33	2.25	6.29	2.39	6.24	2.54	6.22	2.61	6.20	2.68	6.16	2.82
	-10.0	7.30	2.54	7.26	2.68	7.21	2.82	7.19	2.90	7.17	2.97	7.13	3.11
	-5.0	8.27	2.82	8.22	2.97	8.18	3.11	8.16	3.03	8.14	2.96	8.10	2.80
	0.0	9.23	3.11	9.19	2.90	9.14	2.69	8.96	2.62	8.78	2.55	8.41	2.42
	6.0	10.12	2.40	9.63	2.29	9.14	2.18	8.96	2.12	8.78	2.07	8.41	1.96
	10.0	10.12	2.22	9.63	2.12	9.14	2.02	8.96	1.97	8.78	1.92	8.41	1.82
7+7+12	-15.0	6.33	2.25	6.29	2.39	6.24	2.54	6.22	2.61	6.20	2.68	6.16	2.82
	-10.0	7.30	2.54	7.26	2.68	7.21	2.82	7.19	2.90	7.17	2.97	7.13	3.11
	-5.0	8.27	2.82	8.22	2.97	8.18	3.11	8.16	3.03	8.14	2.96	8.10	2.80
	0.0	9.23	3.11	9.19	2.90	9.14	2.69	8.96	2.62	8.78	2.55	8.41	2.42
	6.0	10.12	2.40	9.63	2.29	9.14	2.18	8.96	2.12	8.78	2.07	8.41	1.96
	10.0	10.12	2.22	9.63	2.12	9.14	2.02	8.96	1.97	8.78	1.92	8.41	1.82
5+7+15	-15.0	6.29	2.25	6.25	2.39	6.20	2.54	6.18	2.61	6.16	2.68	6.12	2.82
	-10.0	7.25	2.54	7.21	2.68	7.16	2.82	7.14	2.90	7.12	2.97	7.08	3.11
	-5.0	8.21	2.82	8.17	2.97	8.12	3.11	8.10	3.03	8.08	2.96	8.05	2.80
	0.0	9.18	3.11	9.13	2.90	9.09	2.69	8.90	2.62	8.72	2.55	8.36	2.42
	6.0	10.06	2.40	9.57	2.29	9.09	2.18	8.90	2.12	8.72	2.07	8.36	1.96
	10.0	10.06	2.22	9.57	2.12	9.09	2.02	8.90	1.97	8.72	1.92	8.36	1.82
9+9+9	-15.0	6.29	2.25	6.25	2.39	6.20	2.54	6.18	2.61	6.16	2.68	6.12	2.82
	-10.0	7.25	2.54	7.21	2.68	7.16	2.82	7.14	2.90	7.12	2.97	7.08	3.11
	-5.0	8.21	2.82	8.17	2.97	8.12	3.11	8.10	3.03	8.08	2.96	8.05	2.80
	0.0	9.18	3.11	9.13	2.90	9.09	2.69	8.90	2.62	8.72	2.55	8.36	2.42
	6.0	10.06	2.40	9.57	2.29	9.09	2.18	8.90	2.12	8.72	2.07	8.36	1.96
	10.0	10.06	2.22	9.57	2.12	9.09	2.02	8.90	1.97	8.72	1.92	8.36	1.82
7+9+12	-15.0	6.29	2.25	6.25	2.39	6.20	2.54	6.18	2.61	6.16	2.68	6.12	2.82
	-10.0	7.25	2.54	7.21	2.68	7.16	2.82	7.14	2.90	7.12	2.97	7.08	3.11
	-5.0	8.21	2.82	8.17	2.97	8.12	3.11	8.10	3.03	8.08	2.96	8.05	2.80
	0.0	9.18	3.11	9.13	2.90	9.09	2.69	8.90	2.62	8.72	2.55	8.36	2.42
	6.0	10.06	2.40	9.57	2.29	9.09	2.18	8.90	2.12	8.72	2.07	8.36	1.96
	10.0	10.06	2.22	9.57	2.12	9.09	2.02	8.90	1.97	8.72	1.92	8.36	1.82

5. Capacity tables

Heating Capacity [-27G-]

Combination Capacity Index (kBTu/h)	Outdoor Air Temp. (°WB)	Indoor Air Temp. (°DB)											
		16.0		18.0		20.0		21.0		22.0		24.0	
		TC	PI	TC	PI	TC	PI	TC	PI	TC	PI	TC	PI
5+5+18	-15.0	6.29	2.25	6.25	2.39	6.20	2.54	6.18	2.61	6.16	2.68	6.12	2.82
	-10.0	7.25	2.54	7.21	2.68	7.16	2.82	7.14	2.90	7.12	2.97	7.08	3.11
	-5.0	8.21	2.82	8.17	2.97	8.12	3.11	8.10	3.03	8.08	2.96	8.05	2.80
	0.0	9.18	3.11	9.13	2.90	9.09	2.69	8.90	2.62	8.72	2.55	8.36	2.42
	6.0	10.06	2.40	9.57	2.29	9.09	2.18	8.90	2.12	8.72	2.07	8.36	1.96
	10.0	10.06	2.22	9.57	2.12	9.09	2.02	8.90	1.97	8.72	1.92	8.36	1.82
5+9+15	-15.0	6.29	2.25	6.25	2.39	6.20	2.54	6.18	2.61	6.16	2.68	6.12	2.82
	-10.0	7.25	2.54	7.21	2.68	7.16	2.82	7.14	2.90	7.12	2.97	7.08	3.11
	-5.0	8.21	2.82	8.17	2.97	8.12	3.11	8.10	3.03	8.08	2.96	8.05	2.80
	0.0	9.18	3.11	9.13	2.90	9.09	2.69	8.90	2.62	8.72	2.55	8.36	2.42
	6.0	10.06	2.40	9.57	2.29	9.09	2.18	8.90	2.12	8.72	2.07	8.36	1.96
	10.0	10.06	2.22	9.57	2.12	9.09	2.02	8.90	1.97	8.72	1.92	8.36	1.82
5+12+12	-15.0	6.29	2.25	6.25	2.39	6.20	2.54	6.18	2.61	6.16	2.68	6.12	2.82
	-10.0	7.25	2.54	7.21	2.68	7.16	2.82	7.14	2.90	7.12	2.97	7.08	3.11
	-5.0	8.21	2.82	8.17	2.97	8.12	3.11	8.10	3.03	8.08	2.96	8.05	2.80
	0.0	9.18	3.11	9.13	2.90	9.09	2.69	8.90	2.62	8.72	2.55	8.36	2.42
	6.0	10.06	2.40	9.57	2.29	9.09	2.18	8.90	2.12	8.72	2.07	8.36	1.96
	10.0	10.06	2.22	9.57	2.12	9.09	2.02	8.90	1.97	8.72	1.92	8.36	1.82
7+7+15	-15.0	6.29	2.25	6.25	2.39	6.20	2.54	6.18	2.61	6.16	2.68	6.12	2.82
	-10.0	7.25	2.54	7.21	2.68	7.16	2.82	7.14	2.90	7.12	2.97	7.08	3.11
	-5.0	8.21	2.82	8.17	2.97	8.12	3.11	8.10	3.03	8.08	2.96	8.05	2.80
	0.0	9.18	3.11	9.13	2.90	9.09	2.69	8.90	2.62	8.72	2.55	8.36	2.42
	6.0	10.06	2.40	9.57	2.29	9.09	2.18	8.90	2.12	8.72	2.07	8.36	1.96
	10.0	10.06	2.22	9.57	2.12	9.09	2.02	8.90	1.97	8.72	1.92	8.36	1.82
5+7+18	-15.0	6.29	2.25	6.25	2.39	6.20	2.54	6.18	2.61	6.16	2.68	6.12	2.82
	-10.0	7.25	2.54	7.21	2.68	7.16	2.82	7.14	2.90	7.12	2.97	7.08	3.11
	-5.0	8.21	2.82	8.17	2.97	8.12	3.11	8.10	3.03	8.08	2.96	8.05	2.80
	0.0	9.18	3.11	9.13	2.90	9.09	2.69	8.90	2.62	8.72	2.55	8.36	2.42
	6.0	10.06	2.40	9.57	2.29	9.09	2.18	8.90	2.12	8.72	2.07	8.36	1.96
	10.0	10.06	2.22	9.57	2.12	9.09	2.02	8.90	1.97	8.72	1.92	8.36	1.82
9+9+12	-15.0	6.29	2.25	6.25	2.39	6.20	2.54	6.18	2.61	6.16	2.68	6.12	2.82
	-10.0	7.25	2.54	7.21	2.68	7.16	2.82	7.14	2.90	7.12	2.97	7.08	3.11
	-5.0	8.21	2.82	8.17	2.97	8.12	3.11	8.10	3.03	8.08	2.96	8.05	2.80
	0.0	9.18	3.11	9.13	2.90	9.09	2.69	8.90	2.62	8.72	2.55	8.36	2.42
	6.0	10.06	2.40	9.57	2.29	9.09	2.18	8.90	2.12	8.72	2.07	8.36	1.96
	10.0	10.06	2.22	9.57	2.12	9.09	2.02	8.90	1.97	8.72	1.92	8.36	1.82
7+9+15	-15.0	6.29	2.25	6.25	2.39	6.20	2.54	6.18	2.61	6.16	2.68	6.12	2.82
	-10.0	7.25	2.54	7.21	2.68	7.16	2.82	7.14	2.90	7.12	2.97	7.08	3.11
	-5.0	8.21	2.82	8.17	2.97	8.12	3.11	8.10	3.03	8.08	2.96	8.05	2.80
	0.0	9.18	3.11	9.13	2.90	9.09	2.69	8.90	2.62	8.72	2.55	8.36	2.42
	6.0	10.06	2.40	9.57	2.29	9.09	2.18	8.90	2.12	8.72	2.07	8.36	1.96
	10.0	10.06	2.22	9.57	2.12	9.09	2.02	8.90	1.97	8.72	1.92	8.36	1.82
7+12+12	-15.0	6.29	2.25	6.25	2.39	6.20	2.54	6.18	2.61	6.16	2.68	6.12	2.82
	-10.0	7.25	2.54	7.21	2.68	7.16	2.82	7.14	2.90	7.12	2.97	7.08	3.11
	-5.0	8.21	2.82	8.17	2.97	8.12	3.11	8.10	3.03	8.08	2.96	8.05	2.80
	0.0	9.18	3.11	9.13	2.90	9.09	2.69	8.90	2.62	8.72	2.55	8.36	2.42
	6.0	10.06	2.40	9.57	2.29	9.09	2.18	8.90	2.12	8.72	2.07	8.36	1.96
	10.0	10.06	2.22	9.57	2.12	9.09	2.02	8.90	1.97	8.72	1.92	8.36	1.82
5+12+15	-15.0	6.29	2.25	6.25	2.39	6.20	2.54	6.18	2.61	6.16	2.68	6.12	2.82
	-10.0	7.25	2.54	7.21	2.68	7.16	2.82	7.14	2.90	7.12	2.97	7.08	3.11
	-5.0	8.21	2.82	8.17	2.97	8.12	3.11	8.10	3.03	8.08	2.96	8.05	2.80
	0.0	9.18	3.11	9.13	2.90	9.09	2.69	8.90	2.62	8.72	2.55	8.36	2.42
	6.0	10.06	2.40	9.57	2.29	9.09	2.18	8.90	2.12	8.72	2.07	8.36	1.96
	10.0	10.06	2.22	9.57	2.12	9.09	2.02	8.90	1.97	8.72	1.92	8.36	1.82
5+9+18	-15.0	6.29	2.25	6.25	2.39	6.20	2.54	6.18	2.61	6.16	2.68	6.12	2.82
	-10.0	7.25	2.54	7.21	2.68	7.16	2.82	7.14	2.90	7.12	2.97	7.08	3.11
	-5.0	8.21	2.82	8.17	2.97	8.12	3.11	8.10	3.03	8.08	2.96	8.05	2.80
	0.0	9.18	3.11	9.13	2.90	9.09	2.69	8.90	2.62	8.72	2.55	8.36	2.42
	6.0	10.06	2.40	9.57	2.29	9.09	2.18	8.90	2.12	8.72	2.07	8.36	1.96
	10.0	10.06	2.22	9.57	2.12	9.09	2.02	8.90	1.97	8.72	1.92	8.36	1.82
15.0	10.06	2.00	9.57	1.91	9.09	1.82	8.90	1.77	8.72	1.73	8.36	1.64	

5. Capacity tables

Heating Capacity [-27G-]

Combination Capacity Index (kBtu/h)	Outdoor Air Temp. (°WB)	Indoor Air Temp. (°DB)											
		16.0		18.0		20.0		21.0		22.0		24.0	
		TC	PI	TC	PI	TC	PI	TC	PI	TC	PI	TC	PI
7+7+18	-15.0	6.29	2.25	6.25	2.39	6.20	2.54	6.18	2.61	6.16	2.68	6.12	2.82
	-10.0	7.25	2.54	7.21	2.68	7.16	2.82	7.14	2.90	7.12	2.97	7.08	3.11
	-5.0	8.21	2.82	8.17	2.97	8.12	3.11	8.10	3.03	8.08	2.96	8.05	2.80
	0.0	9.18	3.11	9.13	2.90	9.09	2.69	8.90	2.62	8.72	2.55	8.36	2.42
	6.0	10.06	2.40	9.57	2.29	9.09	2.18	8.90	2.12	8.72	2.07	8.36	1.96
	10.0	10.06	2.22	9.57	2.12	9.09	2.02	8.90	1.97	8.72	1.92	8.36	1.82
9+9+15	15.0	10.06	2.00	9.57	1.91	9.09	1.82	8.90	1.77	8.72	1.73	8.36	1.64
	-15.0	6.29	2.25	6.25	2.39	6.20	2.54	6.18	2.61	6.16	2.68	6.12	2.82
	-10.0	7.25	2.54	7.21	2.68	7.16	2.82	7.14	2.90	7.12	2.97	7.08	3.11
	-5.0	8.21	2.82	8.17	2.97	8.12	3.11	8.10	3.03	8.08	2.96	8.05	2.80
	0.0	9.18	3.11	9.13	2.90	9.09	2.69	8.90	2.62	8.72	2.55	8.36	2.42
	6.0	10.06	2.40	9.57	2.29	9.09	2.18	8.90	2.12	8.72	2.07	8.36	1.96
9+12+12	10.0	10.06	2.22	9.57	2.12	9.09	2.02	8.90	1.97	8.72	1.92	8.36	1.82
	15.0	10.06	2.00	9.57	1.91	9.09	1.82	8.90	1.77	8.72	1.73	8.36	1.64
	-15.0	6.29	2.25	6.25	2.39	6.20	2.54	6.18	2.61	6.16	2.68	6.12	2.82
	-10.0	7.25	2.54	7.21	2.68	7.16	2.82	7.14	2.90	7.12	2.97	7.08	3.11
	-5.0	8.21	2.82	8.17	2.97	8.12	3.11	8.10	3.03	8.08	2.96	8.05	2.80
	0.0	9.18	3.11	9.13	2.90	9.09	2.69	8.90	2.62	8.72	2.55	8.36	2.42
7+9+18	6.0	10.06	2.40	9.57	2.29	9.09	2.18	8.90	2.12	8.72	2.07	8.36	1.96
	10.0	10.06	2.22	9.57	2.12	9.09	2.02	8.90	1.97	8.72	1.92	8.36	1.82
	15.0	10.06	2.00	9.57	1.91	9.09	1.82	8.90	1.77	8.72	1.73	8.36	1.64
	-15.0	6.29	2.25	6.25	2.39	6.20	2.54	6.18	2.61	6.16	2.68	6.12	2.82
	-10.0	7.25	2.54	7.21	2.68	7.16	2.82	7.14	2.90	7.12	2.97	7.08	3.11
	-5.0	8.21	2.82	8.17	2.97	8.12	3.11	8.10	3.03	8.08	2.96	8.05	2.80
7+12+15	0.0	9.18	3.11	9.13	2.90	9.09	2.69	8.90	2.62	8.72	2.55	8.36	2.42
	6.0	10.06	2.40	9.57	2.29	9.09	2.18	8.90	2.12	8.72	2.07	8.36	1.96
	10.0	10.06	2.22	9.57	2.12	9.09	2.02	8.90	1.97	8.72	1.92	8.36	1.82
	15.0	10.06	2.00	9.57	1.91	9.09	1.82	8.90	1.77	8.72	1.73	8.36	1.64
	-15.0	6.29	2.25	6.25	2.39	6.20	2.54	6.18	2.61	6.16	2.68	6.12	2.82
	-10.0	7.25	2.54	7.21	2.68	7.16	2.82	7.14	2.90	7.12	2.97	7.08	3.11
5+5+24	-5.0	8.21	2.82	8.17	2.97	8.12	3.11	8.10	3.03	8.08	2.96	8.05	2.80
	0.0	9.18	3.11	9.13	2.90	9.09	2.69	8.90	2.62	8.72	2.55	8.36	2.42
	6.0	10.06	2.40	9.57	2.29	9.09	2.18	8.90	2.12	8.72	2.07	8.36	1.96
	10.0	10.06	2.22	9.57	2.12	9.09	2.02	8.90	1.97	8.72	1.92	8.36	1.82
	15.0	10.06	2.00	9.57	1.91	9.09	1.82	8.90	1.77	8.72	1.73	8.36	1.64
	-15.0	6.29	2.25	6.25	2.39	6.20	2.54	6.18	2.61	6.16	2.68	6.12	2.82
5+12+18	-10.0	7.25	2.54	7.21	2.68	7.16	2.82	7.14	2.90	7.12	2.97	7.08	3.11
	-5.0	8.21	2.82	8.17	2.97	8.12	3.11	8.10	3.03	8.08	2.96	8.05	2.80
	0.0	9.18	3.11	9.13	2.90	9.09	2.69	8.90	2.62	8.72	2.55	8.36	2.42
	6.0	10.06	2.40	9.57	2.29	9.09	2.18	8.90	2.12	8.72	2.07	8.36	1.96
	10.0	10.06	2.22	9.57	2.12	9.09	2.02	8.90	1.97	8.72	1.92	8.36	1.82
	15.0	10.06	2.00	9.57	1.91	9.09	1.82	8.90	1.77	8.72	1.73	8.36	1.64
5+15+15	-15.0	6.29	2.25	6.25	2.39	6.20	2.54	6.18	2.61	6.16	2.68	6.12	2.82
	-10.0	7.25	2.54	7.21	2.68	7.16	2.82	7.14	2.90	7.12	2.97	7.08	3.11
	-5.0	8.21	2.82	8.17	2.97	8.12	3.11	8.10	3.03	8.08	2.96	8.05	2.80
	0.0	9.18	3.11	9.13	2.90	9.09	2.69	8.90	2.62	8.72	2.55	8.36	2.42
	6.0	10.06	2.40	9.57	2.29	9.09	2.18	8.90	2.12	8.72	2.07	8.36	1.96
	10.0	10.06	2.22	9.57	2.12	9.09	2.02	8.90	1.97	8.72	1.92	8.36	1.82
5+7+24	15.0	10.06	2.00	9.57	1.91	9.09	1.82	8.90	1.77	8.72	1.73	8.36	1.64
	-15.0	6.29	2.25	6.25	2.39	6.20	2.54	6.18	2.61	6.16	2.68	6.12	2.82
	-10.0	7.25	2.54	7.21	2.68	7.16	2.82	7.14	2.90	7.12	2.97	7.08	3.11
	-5.0	8.21	2.82	8.17	2.97	8.12	3.11	8.10	3.03	8.08	2.96	8.05	2.80
	0.0	9.18	3.11	9.13	2.90	9.09	2.69	8.90	2.62	8.72	2.55	8.36	2.42
	6.0	10.06	2.40	9.57	2.29	9.09	2.18	8.90	2.12	8.72	2.07	8.36	1.96
9+12+15	10.0	10.06	2.22	9.57	2.12	9.09	2.02	8.90	1.97	8.72	1.92	8.36	1.82
	15.0	10.06	2.00	9.57	1.91	9.09	1.82	8.90	1.77	8.72	1.73	8.36	1.64
	-15.0	6.29	2.25	6.25	2.39	6.20	2.54	6.18	2.61	6.16	2.68	6.12	2.82
	-10.0	7.25	2.54	7.21	2.68	7.16	2.82	7.14	2.90	7.12	2.97	7.08	3.11
	-5.0	8.21	2.82	8.17	2.97	8.12	3.11	8.10	3.03	8.08	2.96	8.05	2.80
	0.0	9.18	3.11	9.13	2.90	9.09	2.69	8.90	2.62	8.72	2.55	8.36	2.42

5. Capacity tables

Heating Capacity [-27G-]

Combination Capacity Index (kBtu/h)	Outdoor Air Temp. (°WB)	Indoor Air Temp. (°DB)											
		16.0		18.0		20.0		21.0		22.0		24.0	
		TC	PI	TC	PI	TC	PI	TC	PI	TC	PI	TC	PI
12+12+12	-15.0	6.29	2.25	6.25	2.39	6.20	2.54	6.18	2.61	6.16	2.68	6.12	2.82
	-10.0	7.25	2.54	7.21	2.68	7.16	2.82	7.14	2.90	7.12	2.97	7.08	3.11
	-5.0	8.21	2.82	8.17	2.97	8.12	3.11	8.10	3.03	8.08	2.96	8.05	2.80
	0.0	9.18	3.11	9.13	2.90	9.09	2.69	8.90	2.62	8.72	2.55	8.36	2.42
	6.0	10.06	2.40	9.57	2.29	9.09	2.18	8.90	2.12	8.72	2.07	8.36	1.96
	10.0	10.06	2.22	9.57	2.12	9.09	2.02	8.90	1.97	8.72	1.92	8.36	1.82
9+9+18	15.0	10.06	2.00	9.57	1.91	9.09	1.82	8.90	1.77	8.72	1.73	8.36	1.64
	-15.0	6.29	2.25	6.25	2.39	6.20	2.54	6.18	2.61	6.16	2.68	6.12	2.82
	-10.0	7.25	2.54	7.21	2.68	7.16	2.82	7.14	2.90	7.12	2.97	7.08	3.11
	-5.0	8.21	2.82	8.17	2.97	8.12	3.11	8.10	3.03	8.08	2.96	8.05	2.80
	0.0	9.18	3.11	9.13	2.90	9.09	2.69	8.90	2.62	8.72	2.55	8.36	2.42
	6.0	10.06	2.40	9.57	2.29	9.09	2.18	8.90	2.12	8.72	2.07	8.36	1.96
7+12+18	10.0	10.06	2.22	9.57	2.12	9.09	2.02	8.90	1.97	8.72	1.92	8.36	1.82
	15.0	10.06	2.00	9.57	1.91	9.09	1.82	8.90	1.77	8.72	1.73	8.36	1.64
	-15.0	6.29	2.25	6.25	2.39	6.20	2.54	6.18	2.61	6.16	2.68	6.12	2.82
	-10.0	7.25	2.54	7.21	2.68	7.16	2.82	7.14	2.90	7.12	2.97	7.08	3.11
	-5.0	8.21	2.82	8.17	2.97	8.12	3.11	8.10	3.03	8.08	2.96	8.05	2.80
	0.0	9.18	3.11	9.13	2.90	9.09	2.69	8.90	2.62	8.72	2.55	8.36	2.42
7+15+15	6.0	10.06	2.40	9.57	2.29	9.09	2.18	8.90	2.12	8.72	2.07	8.36	1.96
	10.0	10.06	2.22	9.57	2.12	9.09	2.02	8.90	1.97	8.72	1.92	8.36	1.82
	15.0	10.06	2.00	9.57	1.91	9.09	1.82	8.90	1.77	8.72	1.73	8.36	1.64
	-15.0	6.29	2.25	6.25	2.39	6.20	2.54	6.18	2.61	6.16	2.68	6.12	2.82
	-10.0	7.25	2.54	7.21	2.68	7.16	2.82	7.14	2.90	7.12	2.97	7.08	3.11
	-5.0	8.21	2.82	8.17	2.97	8.12	3.11	8.10	3.03	8.08	2.96	8.05	2.80
5+9+24	0.0	9.18	3.11	9.13	2.90	9.09	2.69	8.90	2.62	8.72	2.55	8.36	2.42
	6.0	10.06	2.40	9.57	2.29	9.09	2.18	8.90	2.12	8.72	2.07	8.36	1.96
	10.0	10.06	2.22	9.57	2.12	9.09	2.02	8.90	1.97	8.72	1.92	8.36	1.82
	15.0	10.06	2.00	9.57	1.91	9.09	1.82	8.90	1.77	8.72	1.73	8.36	1.64
	-15.0	6.29	2.25	6.25	2.39	6.20	2.54	6.18	2.61	6.16	2.68	6.12	2.82
	-10.0	7.25	2.54	7.21	2.68	7.16	2.82	7.14	2.90	7.12	2.97	7.08	3.11
5+15+18	-5.0	8.21	2.82	8.17	2.97	8.12	3.11	8.10	3.03	8.08	2.96	8.05	2.80
	0.0	9.18	3.11	9.13	2.90	9.09	2.69	8.90	2.62	8.72	2.55	8.36	2.42
	6.0	10.06	2.40	9.57	2.29	9.09	2.18	8.90	2.12	8.72	2.07	8.36	1.96
	10.0	10.06	2.22	9.57	2.12	9.09	2.02	8.90	1.97	8.72	1.92	8.36	1.82
	15.0	10.06	2.00	9.57	1.91	9.09	1.82	8.90	1.77	8.72	1.73	8.36	1.64
	-15.0	6.29	2.25	6.25	2.39	6.20	2.54	6.18	2.61	6.16	2.68	6.12	2.82
7+7+24	-10.0	7.25	2.54	7.21	2.68	7.16	2.82	7.14	2.90	7.12	2.97	7.08	3.11
	-5.0	8.21	2.82	8.17	2.97	8.12	3.11	8.10	3.03	8.08	2.96	8.05	2.80
	0.0	9.18	3.11	9.13	2.90	9.09	2.69	8.90	2.62	8.72	2.55	8.36	2.42
	6.0	10.06	2.40	9.57	2.29	9.09	2.18	8.90	2.12	8.72	2.07	8.36	1.96
	10.0	10.06	2.22	9.57	2.12	9.09	2.02	8.90	1.97	8.72	1.92	8.36	1.82
	15.0	10.06	2.00	9.57	1.91	9.09	1.82	8.90	1.77	8.72	1.73	8.36	1.64
9+12+18	-15.0	6.29	2.25	6.25	2.39	6.20	2.54	6.18	2.61	6.16	2.68	6.12	2.82
	-10.0	7.25	2.54	7.21	2.68	7.16	2.82	7.14	2.90	7.12	2.97	7.08	3.11
	-5.0	8.21	2.82	8.17	2.97	8.12	3.11	8.10	3.03	8.08	2.96	8.05	2.80
	0.0	9.18	3.11	9.13	2.90	9.09	2.69	8.90	2.62	8.72	2.55	8.36	2.42
	6.0	10.06	2.40	9.57	2.29	9.09	2.18	8.90	2.12	8.72	2.07	8.36	1.96
	10.0	10.06	2.22	9.57	2.12	9.09	2.02	8.90	1.97	8.72	1.92	8.36	1.82
9+15+15	15.0	10.06	2.00	9.57	1.91	9.09	1.82	8.90	1.77	8.72	1.73	8.36	1.64
	-15.0	6.29	2.25	6.25	2.39	6.20	2.54	6.18	2.61	6.16	2.68	6.12	2.82
	-10.0	7.25	2.54	7.21	2.68	7.16	2.82	7.14	2.90	7.12	2.97	7.08	3.11
	-5.0	8.21	2.82	8.17	2.97	8.12	3.11	8.10	3.03	8.08	2.96	8.05	2.80
	0.0	9.18	3.11	9.13	2.90	9.09	2.69	8.90	2.62	8.72	2.55	8.36	2.42
	6.0	10.06	2.40	9.57	2.29	9.09	2.18	8.90	2.12	8.72	2.07	8.36	1.96
12+12+15	10.0	10.06	2.22	9.57	2.12	9.09	2.02	8.90	1.97	8.72	1.92	8.36	1.82
	15.0	10.06	2.00	9.57	1.91	9.09	1.82	8.90	1.77	8.72	1.73	8.36	1.64
	-15.0	6.29	2.25	6.25	2.39	6.20	2.54	6.18	2.61	6.16	2.68	6.12	2.82
	-10.0	7.25	2.54	7.21	2.68	7.16	2.82	7.14	2.90	7.12	2.97	7.08	3.11
	-5.0	8.21	2.82	8.17	2.97	8.12	3.11	8.10	3.03	8.08	2.96	8.05	2.80
	0.0	9.18	3.11	9.13	2.90	9.09	2.69	8.90	2.62	8.72	2.55	8.36	2.42

5. Capacity tables

Heating Capacity [-27G-]

Combination Capacity Index (kBtu/h)	Outdoor Air Temp. (°CWB)	Indoor Air Temp. (°CDB)											
		16.0		18.0		20.0		21.0		22.0		24.0	
		TC	PI	TC	PI	TC	PI	TC	PI	TC	PI	TC	PI
7+9+24	-15.0	6.29	2.25	6.25	2.39	6.20	2.54	6.18	2.61	6.16	2.68	6.12	2.82
	-10.0	7.25	2.54	7.21	2.68	7.16	2.82	7.14	2.90	7.12	2.97	7.08	3.11
	-5.0	8.21	2.82	8.17	2.97	8.12	3.11	8.10	3.03	8.08	2.96	8.05	2.80
	0.0	9.18	3.11	9.13	2.90	9.09	2.69	8.90	2.62	8.72	2.55	8.36	2.42
	6.0	10.06	2.40	9.57	2.29	9.09	2.18	8.90	2.12	8.72	2.07	8.36	1.96
	10.0	10.06	2.22	9.57	2.12	9.09	2.02	8.90	1.97	8.72	1.92	8.36	1.82
7+15+18	-15.0	6.29	2.25	6.25	2.39	6.20	2.54	6.18	2.61	6.16	2.68	6.12	2.82
	-10.0	7.25	2.54	7.21	2.68	7.16	2.82	7.14	2.90	7.12	2.97	7.08	3.11
	-5.0	8.21	2.82	8.17	2.97	8.12	3.11	8.10	3.03	8.08	2.96	8.05	2.80
	0.0	9.18	3.11	9.13	2.90	9.09	2.69	8.90	2.62	8.72	2.55	8.36	2.42
	6.0	10.06	2.40	9.57	2.29	9.09	2.18	8.90	2.12	8.72	2.07	8.36	1.96
	10.0	10.06	2.22	9.57	2.12	9.09	2.02	8.90	1.97	8.72	1.92	8.36	1.82
5+12+24	-15.0	6.29	2.25	6.25	2.39	6.20	2.54	6.18	2.61	6.16	2.68	6.12	2.82
	-10.0	7.25	2.54	7.21	2.68	7.16	2.82	7.14	2.90	7.12	2.97	7.08	3.11
	-5.0	8.21	2.82	8.17	2.97	8.12	3.11	8.10	3.03	8.08	2.96	8.05	2.80
	0.0	9.18	3.11	9.13	2.90	9.09	2.69	8.90	2.62	8.72	2.55	8.36	2.42
	6.0	10.06	2.40	9.57	2.29	9.09	2.18	8.90	2.12	8.72	2.07	8.36	1.96
	10.0	10.06	2.22	9.57	2.12	9.09	2.02	8.90	1.97	8.72	1.92	8.36	1.82
5+18+18	-15.0	6.29	2.25	6.25	2.39	6.20	2.54	6.18	2.61	6.16	2.68	6.12	2.82
	-10.0	7.25	2.54	7.21	2.68	7.16	2.82	7.14	2.90	7.12	2.97	7.08	3.11
	-5.0	8.21	2.82	8.17	2.97	8.12	3.11	8.10	3.03	8.08	2.96	8.05	2.80
	0.0	9.18	3.11	9.13	2.90	9.09	2.69	8.90	2.62	8.72	2.55	8.36	2.42
	6.0	10.06	2.40	9.57	2.29	9.09	2.18	8.90	2.12	8.72	2.07	8.36	1.96
	10.0	10.06	2.22	9.57	2.12	9.09	2.02	8.90	1.97	8.72	1.92	8.36	1.82
4 Units Operation													
5+5+5+5	-15.0	6.15	2.09	6.11	2.22	6.06	2.36	6.04	2.42	6.02	2.49	5.99	2.55
	-10.0	7.09	2.36	7.05	2.48	7.00	2.40	6.89	2.37	6.75	2.33	6.47	2.26
	-5.0	7.79	2.26	7.41	2.19	7.03	2.12	6.89	2.08	6.75	2.04	6.47	1.97
	0.0	7.79	1.98	7.41	1.90	7.03	1.83	6.89	1.79	6.75	1.75	6.47	1.68
	6.0	7.79	1.63	7.41	1.55	7.03	1.48	6.89	1.44	6.75	1.41	6.47	1.33
	10.0	7.79	1.51	7.41	1.44	7.03	1.37	6.89	1.34	6.75	1.30	6.47	1.23
5+5+5+7	-15.0	6.20	2.11	6.15	2.24	6.11	2.37	6.09	2.44	6.07	2.51	6.03	2.64
	-10.0	7.15	2.37	7.10	2.51	7.06	2.64	7.04	2.64	7.02	2.60	6.98	2.52
	-5.0	8.09	2.53	8.05	2.44	7.74	2.36	7.58	2.32	7.43	2.28	7.12	2.20
	0.0	8.57	2.20	8.15	2.12	7.74	2.04	7.58	2.00	7.43	1.96	7.12	1.87
	6.0	8.57	1.82	8.15	1.73	7.74	1.65	7.58	1.61	7.43	1.57	7.12	1.49
	10.0	8.57	1.68	8.15	1.61	7.74	1.53	7.58	1.49	7.43	1.45	7.12	1.38
5+5+5+9	-15.0	6.25	2.12	6.20	2.26	6.16	2.39	6.14	2.46	6.12	2.53	6.08	2.66
	-10.0	7.20	2.39	7.16	2.53	7.11	2.66	7.09	2.73	7.07	2.80	7.03	2.79
	-5.0	8.16	2.66	8.11	2.70	8.07	2.61	8.05	2.57	8.03	2.52	7.77	2.43
	0.0	9.11	2.44	8.89	2.35	8.44	2.25	8.27	2.21	8.10	2.16	7.77	2.07
	6.0	9.34	2.01	8.89	1.92	8.44	1.83	8.27	1.78	8.10	1.73	7.77	1.64
	10.0	9.34	1.86	8.89	1.78	8.44	1.69	8.27	1.65	8.10	1.61	7.77	1.52
5+5+7+7	-15.0	6.27	2.13	6.23	2.27	6.18	2.40	6.16	2.47	6.14	2.54	6.10	2.68
	-10.0	7.23	2.40	7.19	2.54	7.14	2.68	7.12	2.74	7.10	2.81	7.06	2.95
	-5.0	8.19	2.68	8.14	2.81	8.10	2.80	8.08	2.75	8.06	2.70	8.02	2.61
	0.0	9.15	2.62	9.10	2.52	8.79	2.42	8.62	2.37	8.44	2.32	8.09	2.22
	6.0	9.73	2.16	9.26	2.06	8.79	1.96	8.62	1.91	8.44	1.86	8.09	1.76
	10.0	9.73	2.00	9.26	1.91	8.79	1.82	8.62	1.77	8.44	1.73	8.09	1.63
5+7+7+7	-15.0	6.27	2.13	6.23	2.27	6.18	2.40	6.16	2.47	6.14	2.54	6.10	2.68
	-10.0	7.23	2.40	7.19	2.54	7.14	2.68	7.12	2.74	7.10	2.81	7.06	2.95
	-5.0	8.19	2.68	8.14	2.81	8.10	2.80	8.08	2.75	8.06	2.70	8.02	2.61
	0.0	9.15	2.62	9.10	2.52	8.79	2.42	8.62	2.37	8.44	2.32	8.09	2.22
	6.0	9.73	2.16	9.26	2.06	8.79	1.96	8.62	1.91	8.44	1.86	8.09	1.76
	10.0	9.73	2.00	9.26	1.91	8.79	1.82	8.62	1.77	8.44	1.73	8.09	1.63

5. Capacity tables

Heating Capacity [-27G-]

Combination Capacity Index (kBtu/h)	Outdoor Air Temp. (°WB)	Indoor Air Temp. (°DB)											
		16.0		18.0		20.0		21.0		22.0		24.0	
		TC	PI	TC	PI	TC	PI	TC	PI	TC	PI	TC	PI
5+5+5+12	-15.0	6.29	2.14	6.25	2.27	6.20	2.41	6.18	2.48	6.16	2.55	6.12	2.68
	-10.0	7.25	2.41	7.21	2.55	7.16	2.68	7.14	2.75	7.12	2.82	7.08	2.96
	-5.0	8.21	2.68	8.17	2.82	8.12	2.96	8.10	2.88	8.08	2.81	8.05	2.66
	0.0	9.18	2.96	9.13	2.75	9.09	2.55	8.90	2.49	8.72	2.43	8.36	2.30
	6.0	10.06	2.28	9.57	2.17	9.09	2.07	8.90	2.02	8.72	1.96	8.36	1.86
	10.0	10.06	2.11	9.57	2.01	9.09	1.92	8.90	1.87	8.72	1.82	8.36	1.73
5+5+9+9	-15.0	6.29	2.14	6.25	2.27	6.20	2.41	6.18	2.48	6.16	2.55	6.12	2.68
	-10.0	7.25	2.41	7.21	2.55	7.16	2.68	7.14	2.75	7.12	2.82	7.08	2.96
	-5.0	8.21	2.68	8.17	2.82	8.12	2.96	8.10	2.88	8.08	2.81	8.05	2.66
	0.0	9.18	2.96	9.13	2.75	9.09	2.55	8.90	2.49	8.72	2.43	8.36	2.30
	6.0	10.06	2.28	9.57	2.17	9.09	2.07	8.90	2.02	8.72	1.96	8.36	1.86
	10.0	10.06	2.11	9.57	2.01	9.09	1.92	8.90	1.87	8.72	1.82	8.36	1.73
5+7+7+9	-15.0	6.29	2.14	6.25	2.27	6.20	2.41	6.18	2.48	6.16	2.55	6.12	2.68
	-10.0	7.25	2.41	7.21	2.55	7.16	2.68	7.14	2.75	7.12	2.82	7.08	2.96
	-5.0	8.21	2.68	8.17	2.82	8.12	2.96	8.10	2.88	8.08	2.81	8.05	2.66
	0.0	9.18	2.96	9.13	2.75	9.09	2.55	8.90	2.49	8.72	2.43	8.36	2.30
	6.0	10.06	2.28	9.57	2.17	9.09	2.07	8.90	2.02	8.72	1.96	8.36	1.86
	10.0	10.06	2.11	9.57	2.01	9.09	1.92	8.90	1.87	8.72	1.82	8.36	1.73
7+7+7+7	-15.0	6.29	2.14	6.25	2.27	6.20	2.41	6.18	2.48	6.16	2.55	6.12	2.68
	-10.0	7.25	2.41	7.21	2.55	7.16	2.68	7.14	2.75	7.12	2.82	7.08	2.96
	-5.0	8.21	2.68	8.17	2.82	8.12	2.96	8.10	2.88	8.08	2.81	8.05	2.66
	0.0	9.18	2.96	9.13	2.75	9.09	2.55	8.90	2.49	8.72	2.43	8.36	2.30
	6.0	10.06	2.28	9.57	2.17	9.09	2.07	8.90	2.02	8.72	1.96	8.36	1.86
	10.0	10.06	2.11	9.57	2.01	9.09	1.92	8.90	1.87	8.72	1.82	8.36	1.73
5+5+7+12	-15.0	6.29	2.14	6.25	2.27	6.20	2.41	6.18	2.48	6.16	2.55	6.12	2.68
	-10.0	7.25	2.41	7.21	2.55	7.16	2.68	7.14	2.75	7.12	2.82	7.08	2.96
	-5.0	8.21	2.68	8.17	2.82	8.12	2.96	8.10	2.88	8.08	2.81	8.05	2.66
	0.0	9.18	2.96	9.13	2.75	9.09	2.55	8.90	2.49	8.72	2.43	8.36	2.30
	6.0	10.06	2.28	9.57	2.17	9.09	2.07	8.90	2.02	8.72	1.96	8.36	1.86
	10.0	10.06	2.11	9.57	2.01	9.09	1.92	8.90	1.87	8.72	1.82	8.36	1.73
5+5+5+15	-15.0	6.29	2.14	6.25	2.27	6.20	2.41	6.18	2.48	6.16	2.55	6.12	2.68
	-10.0	7.25	2.41	7.21	2.55	7.16	2.68	7.14	2.75	7.12	2.82	7.08	2.96
	-5.0	8.21	2.68	8.17	2.82	8.12	2.96	8.10	2.88	8.08	2.81	8.05	2.66
	0.0	9.18	2.96	9.13	2.75	9.09	2.55	8.90	2.49	8.72	2.43	8.36	2.30
	6.0	10.06	2.28	9.57	2.17	9.09	2.07	8.90	2.02	8.72	1.96	8.36	1.86
	10.0	10.06	2.11	9.57	2.01	9.09	1.92	8.90	1.87	8.72	1.82	8.36	1.73
5+7+9+9	-15.0	6.29	2.14	6.25	2.27	6.20	2.41	6.18	2.48	6.16	2.55	6.12	2.68
	-10.0	7.25	2.41	7.21	2.55	7.16	2.68	7.14	2.75	7.12	2.82	7.08	2.96
	-5.0	8.21	2.68	8.17	2.82	8.12	2.96	8.10	2.88	8.08	2.81	8.05	2.66
	0.0	9.18	2.96	9.13	2.75	9.09	2.55	8.90	2.49	8.72	2.43	8.36	2.30
	6.0	10.06	2.28	9.57	2.17	9.09	2.07	8.90	2.02	8.72	1.96	8.36	1.86
	10.0	10.06	2.11	9.57	2.01	9.09	1.92	8.90	1.87	8.72	1.82	8.36	1.73
7+7+7+9	-15.0	6.29	2.14	6.25	2.27	6.20	2.41	6.18	2.48	6.16	2.55	6.12	2.68
	-10.0	7.25	2.41	7.21	2.55	7.16	2.68	7.14	2.75	7.12	2.82	7.08	2.96
	-5.0	8.21	2.68	8.17	2.82	8.12	2.96	8.10	2.88	8.08	2.81	8.05	2.66
	0.0	9.18	2.96	9.13	2.75	9.09	2.55	8.90	2.49	8.72	2.43	8.36	2.30
	6.0	10.06	2.28	9.57	2.17	9.09	2.07	8.90	2.02	8.72	1.96	8.36	1.86
	10.0	10.06	2.11	9.57	2.01	9.09	1.92	8.90	1.87	8.72	1.82	8.36	1.73
5+5+9+12	-15.0	6.29	2.14	6.25	2.27	6.20	2.41	6.18	2.48	6.16	2.55	6.12	2.68
	-10.0	7.25	2.41	7.21	2.55	7.16	2.68	7.14	2.75	7.12	2.82	7.08	2.96
	-5.0	8.21	2.68	8.17	2.82	8.12	2.96	8.10	2.88	8.08	2.81	8.05	2.66
	0.0	9.18	2.96	9.13	2.75	9.09	2.55	8.90	2.49	8.72	2.43	8.36	2.30
	6.0	10.06	2.28	9.57	2.17	9.09	2.07	8.90	2.02	8.72	1.96	8.36	1.86
	10.0	10.06	2.11	9.57	2.01	9.09	1.92	8.90	1.87	8.72	1.82	8.36	1.73
5+7+7+12	-15.0	6.29	2.14	6.25	2.27	6.20	2.41	6.18	2.48	6.16	2.55	6.12	2.68
	-10.0	7.25	2.41	7.21	2.55	7.16	2.68	7.14	2.75	7.12	2.82	7.08	2.96
	-5.0	8.21	2.68	8.17	2.82	8.12	2.96	8.10	2.88	8.08	2.81	8.05	2.66
	0.0	9.18	2.96	9.13	2.75	9.09	2.55	8.90	2.49	8.72	2.43	8.36	2.30
	6.0	10.06	2.28	9.57	2.17	9.09	2.07	8.90	2.02	8.72	1.96	8.36	1.86
	10.0	10.06	2.11	9.57	2.01	9.09	1.92	8.90	1.87	8.72	1.82	8.36	1.73
15.0	10.06	1.90	9.57	1.81	9.09	1.73	8.90	1.68	8.72	1.64	8.36	1.55	

5. Capacity tables

Heating Capacity [-27G-]

Combination Capacity Index (kBtu/h)	Outdoor Air Temp. (°WB)	Indoor Air Temp. (°DB)											
		16.0		18.0		20.0		21.0		22.0		24.0	
		TC	PI	TC	PI	TC	PI	TC	PI	TC	PI	TC	PI
5+5+7+15	-15.0	6.29	2.14	6.25	2.27	6.20	2.41	6.18	2.48	6.16	2.55	6.12	2.68
	-10.0	7.25	2.41	7.21	2.55	7.16	2.68	7.14	2.75	7.12	2.82	7.08	2.96
	-5.0	8.21	2.68	8.17	2.82	8.12	2.96	8.10	2.88	8.08	2.81	8.05	2.66
	0.0	9.18	2.96	9.13	2.75	9.09	2.55	8.90	2.49	8.72	2.43	8.36	2.30
	6.0	10.06	2.28	9.57	2.17	9.09	2.07	8.90	2.02	8.72	1.96	8.36	1.86
	10.0	10.06	2.11	9.57	2.01	9.09	1.92	8.90	1.87	8.72	1.82	8.36	1.73
7+7+9+9	15.0	10.06	1.90	9.57	1.81	9.09	1.73	8.90	1.68	8.72	1.64	8.36	1.55
	-15.0	6.29	2.14	6.25	2.27	6.20	2.41	6.18	2.48	6.16	2.55	6.12	2.68
	-10.0	7.25	2.41	7.21	2.55	7.16	2.68	7.14	2.75	7.12	2.82	7.08	2.96
	-5.0	8.21	2.68	8.17	2.82	8.12	2.96	8.10	2.88	8.08	2.81	8.05	2.66
	0.0	9.18	2.96	9.13	2.75	9.09	2.55	8.90	2.49	8.72	2.43	8.36	2.30
	6.0	10.06	2.28	9.57	2.17	9.09	2.07	8.90	2.02	8.72	1.96	8.36	1.86
5+9+9+9	10.0	10.06	2.11	9.57	2.01	9.09	1.92	8.90	1.87	8.72	1.82	8.36	1.73
	15.0	10.06	1.90	9.57	1.81	9.09	1.73	8.90	1.68	8.72	1.64	8.36	1.55
	-15.0	6.29	2.14	6.25	2.27	6.20	2.41	6.18	2.48	6.16	2.55	6.12	2.68
	-10.0	7.25	2.41	7.21	2.55	7.16	2.68	7.14	2.75	7.12	2.82	7.08	2.96
	-5.0	8.21	2.68	8.17	2.82	8.12	2.96	8.10	2.88	8.08	2.81	8.05	2.66
	0.0	9.18	2.96	9.13	2.75	9.09	2.55	8.90	2.49	8.72	2.43	8.36	2.30
5+5+5+18	6.0	10.06	2.28	9.57	2.17	9.09	2.07	8.90	2.02	8.72	1.96	8.36	1.86
	10.0	10.06	2.11	9.57	2.01	9.09	1.92	8.90	1.87	8.72	1.82	8.36	1.73
	15.0	10.06	1.90	9.57	1.81	9.09	1.73	8.90	1.68	8.72	1.64	8.36	1.55
	-15.0	6.29	2.14	6.25	2.27	6.20	2.41	6.18	2.48	6.16	2.55	6.12	2.68
	-10.0	7.25	2.41	7.21	2.55	7.16	2.68	7.14	2.75	7.12	2.82	7.08	2.96
	-5.0	8.21	2.68	8.17	2.82	8.12	2.96	8.10	2.88	8.08	2.81	8.05	2.66
5+7+9+12	0.0	9.18	2.96	9.13	2.75	9.09	2.55	8.90	2.49	8.72	2.43	8.36	2.30
	6.0	10.06	2.28	9.57	2.17	9.09	2.07	8.90	2.02	8.72	1.96	8.36	1.86
	10.0	10.06	2.11	9.57	2.01	9.09	1.92	8.90	1.87	8.72	1.82	8.36	1.73
	15.0	10.06	1.90	9.57	1.81	9.09	1.73	8.90	1.68	8.72	1.64	8.36	1.55
	-15.0	6.29	2.14	6.25	2.27	6.20	2.41	6.18	2.48	6.16	2.55	6.12	2.68
	-10.0	7.25	2.41	7.21	2.55	7.16	2.68	7.14	2.75	7.12	2.82	7.08	2.96
7+7+7+12	-5.0	8.21	2.68	8.17	2.82	8.12	2.96	8.10	2.88	8.08	2.81	8.05	2.66
	0.0	9.18	2.96	9.13	2.75	9.09	2.55	8.90	2.49	8.72	2.43	8.36	2.30
	6.0	10.06	2.28	9.57	2.17	9.09	2.07	8.90	2.02	8.72	1.96	8.36	1.86
	10.0	10.06	2.11	9.57	2.01	9.09	1.92	8.90	1.87	8.72	1.82	8.36	1.73
	15.0	10.06	1.90	9.57	1.81	9.09	1.73	8.90	1.68	8.72	1.64	8.36	1.55
	-15.0	6.29	2.14	6.25	2.27	6.20	2.41	6.18	2.48	6.16	2.55	6.12	2.68
5+5+9+15	-10.0	7.25	2.41	7.21	2.55	7.16	2.68	7.14	2.75	7.12	2.82	7.08	2.96
	-5.0	8.21	2.68	8.17	2.82	8.12	2.96	8.10	2.88	8.08	2.81	8.05	2.66
	0.0	9.18	2.96	9.13	2.75	9.09	2.55	8.90	2.49	8.72	2.43	8.36	2.30
	6.0	10.06	2.28	9.57	2.17	9.09	2.07	8.90	2.02	8.72	1.96	8.36	1.86
	10.0	10.06	2.11	9.57	2.01	9.09	1.92	8.90	1.87	8.72	1.82	8.36	1.73
	15.0	10.06	1.90	9.57	1.81	9.09	1.73	8.90	1.68	8.72	1.64	8.36	1.55
5+5+12+12	-15.0	6.29	2.14	6.25	2.27	6.20	2.41	6.18	2.48	6.16	2.55	6.12	2.68
	-10.0	7.25	2.41	7.21	2.55	7.16	2.68	7.14	2.75	7.12	2.82	7.08	2.96
	-5.0	8.21	2.68	8.17	2.82	8.12	2.96	8.10	2.88	8.08	2.81	8.05	2.66
	0.0	9.18	2.96	9.13	2.75	9.09	2.55	8.90	2.49	8.72	2.43	8.36	2.30
	6.0	10.06	2.28	9.57	2.17	9.09	2.07	8.90	2.02	8.72	1.96	8.36	1.86
	10.0	10.06	2.11	9.57	2.01	9.09	1.92	8.90	1.87	8.72	1.82	8.36	1.73
5+7+7+15	15.0	10.06	1.90	9.57	1.81	9.09	1.73	8.90	1.68	8.72	1.64	8.36	1.55
	-15.0	6.29	2.14	6.25	2.27	6.20	2.41	6.18	2.48	6.16	2.55	6.12	2.68
	-10.0	7.25	2.41	7.21	2.55	7.16	2.68	7.14	2.75	7.12	2.82	7.08	2.96
	-5.0	8.21	2.68	8.17	2.82	8.12	2.96	8.10	2.88	8.08	2.81	8.05	2.66
	0.0	9.18	2.96	9.13	2.75	9.09	2.55	8.90	2.49	8.72	2.43	8.36	2.30
	6.0	10.06	2.28	9.57	2.17	9.09	2.07	8.90	2.02	8.72	1.96	8.36	1.86
7+9+9+9	10.0	10.06	2.11	9.57	2.01	9.09	1.92	8.90	1.87	8.72	1.82	8.36	1.73
	15.0	10.06	1.90	9.57	1.81	9.09	1.73	8.90	1.68	8.72	1.64	8.36	1.55
	-15.0	6.29	2.14	6.25	2.27	6.20	2.41	6.18	2.48	6.16	2.55	6.12	2.68
	-10.0	7.25	2.41	7.21	2.55	7.16	2.68	7.14	2.75	7.12	2.82	7.08	2.96
	-5.0	8.21	2.68	8.17	2.82	8.12	2.96	8.10	2.88	8.08	2.81	8.05	2.66
	0.0	9.18	2.96	9.13	2.75	9.09	2.55	8.90	2.49	8.72	2.43	8.36	2.30

5. Capacity tables

Heating Capacity [-27G-]

Combination Capacity Index (kBTu/h)	Outdoor Air Temp. (°WB)	Indoor Air Temp. (°DB)											
		16.0		18.0		20.0		21.0		22.0		24.0	
		TC	PI	TC	PI	TC	PI	TC	PI	TC	PI	TC	PI
7+9+12+12	-15.0	6.29	2.14	6.25	2.27	6.20	2.41	6.18	2.48	6.16	2.55	6.12	2.68
	-10.0	7.25	2.41	7.21	2.55	7.16	2.68	7.14	2.75	7.12	2.82	7.08	2.96
	-5.0	8.21	2.68	8.17	2.82	8.12	2.96	8.10	2.88	8.08	2.81	8.05	2.66
	0.0	9.18	2.96	9.13	2.75	9.09	2.55	8.90	2.49	8.72	2.43	8.36	2.30
	6.0	10.06	2.28	9.57	2.17	9.09	2.07	8.90	2.02	8.72	1.96	8.36	1.86
	10.0	10.06	2.11	9.57	2.01	9.09	1.92	8.90	1.87	8.72	1.82	8.36	1.73
5+5+7+24	-15.0	6.29	2.14	6.25	2.27	6.20	2.41	6.18	2.48	6.16	2.55	6.12	2.68
	-10.0	7.25	2.41	7.21	2.55	7.16	2.68	7.14	2.75	7.12	2.82	7.08	2.96
	-5.0	8.21	2.68	8.17	2.82	8.12	2.96	8.10	2.88	8.08	2.81	8.05	2.66
	0.0	9.18	2.96	9.13	2.75	9.09	2.55	8.90	2.49	8.72	2.43	8.36	2.30
	6.0	10.06	2.28	9.57	2.17	9.09	2.07	8.90	2.02	8.72	1.96	8.36	1.86
	10.0	10.06	2.11	9.57	2.01	9.09	1.92	8.90	1.87	8.72	1.82	8.36	1.73
5+9+12+15	-15.0	6.29	2.14	6.25	2.27	6.20	2.41	6.18	2.48	6.16	2.55	6.12	2.68
	-10.0	7.25	2.41	7.21	2.55	7.16	2.68	7.14	2.75	7.12	2.82	7.08	2.96
	-5.0	8.21	2.68	8.17	2.82	8.12	2.96	8.10	2.88	8.08	2.81	8.05	2.66
	0.0	9.18	2.96	9.13	2.75	9.09	2.55	8.90	2.49	8.72	2.43	8.36	2.30
	6.0	10.06	2.28	9.57	2.17	9.09	2.07	8.90	2.02	8.72	1.96	8.36	1.86
	10.0	10.06	2.11	9.57	2.01	9.09	1.92	8.90	1.87	8.72	1.82	8.36	1.73
5+12+12+12	-15.0	6.29	2.14	6.25	2.27	6.20	2.41	6.18	2.48	6.16	2.55	6.12	2.68
	-10.0	7.25	2.41	7.21	2.55	7.16	2.68	7.14	2.75	7.12	2.82	7.08	2.96
	-5.0	8.21	2.68	8.17	2.82	8.12	2.96	8.10	2.88	8.08	2.81	8.05	2.66
	0.0	9.18	2.96	9.13	2.75	9.09	2.55	8.90	2.49	8.72	2.43	8.36	2.30
	6.0	10.06	2.28	9.57	2.17	9.09	2.07	8.90	2.02	8.72	1.96	8.36	1.86
	10.0	10.06	2.11	9.57	2.01	9.09	1.92	8.90	1.87	8.72	1.82	8.36	1.73
7+7+12+15	-15.0	6.29	2.14	6.25	2.27	6.20	2.41	6.18	2.48	6.16	2.55	6.12	2.68
	-10.0	7.25	2.41	7.21	2.55	7.16	2.68	7.14	2.75	7.12	2.82	7.08	2.96
	-5.0	8.21	2.68	8.17	2.82	8.12	2.96	8.10	2.88	8.08	2.81	8.05	2.66
	0.0	9.18	2.96	9.13	2.75	9.09	2.55	8.90	2.49	8.72	2.43	8.36	2.30
	6.0	10.06	2.28	9.57	2.17	9.09	2.07	8.90	2.02	8.72	1.96	8.36	1.86
	10.0	10.06	2.11	9.57	2.01	9.09	1.92	8.90	1.87	8.72	1.82	8.36	1.73
7+7+9+18	-15.0	6.29	2.14	6.25	2.27	6.20	2.41	6.18	2.48	6.16	2.55	6.12	2.68
	-10.0	7.25	2.41	7.21	2.55	7.16	2.68	7.14	2.75	7.12	2.82	7.08	2.96
	-5.0	8.21	2.68	8.17	2.82	8.12	2.96	8.10	2.88	8.08	2.81	8.05	2.66
	0.0	9.18	2.96	9.13	2.75	9.09	2.55	8.90	2.49	8.72	2.43	8.36	2.30
	6.0	10.06	2.28	9.57	2.17	9.09	2.07	8.90	2.02	8.72	1.96	8.36	1.86
	10.0	10.06	2.11	9.57	2.01	9.09	1.92	8.90	1.87	8.72	1.82	8.36	1.73
	15.0	10.06	1.90	9.57	1.81	9.09	1.73	8.90	1.68	8.72	1.64	8.36	1.55

Note

1. DB : Dry bulb temperature(°C), WB : Wet bulb temperature(°C)
2. TC : Total capacity(kW)
3. PI : Power Input (kW, Compressor + indoor fan motor + outdoor fan motor)
4. All capacities are net. A deduction (cooling mode) or an addition (heating mode) of Capacity due to operating heat of indoor unit motor is reflected.
5. Capacities are based on the following conditions ;
 - Interconnecting Piping Length (Both Main pipe and Branch pipe) is standard length.
 - Difference of Elevation (Outdoor ~ Indoor Unit) is 0 m.
6. Direct interpolation is permissible. Do not extrapolate.
7. Rated capacities and power inputs are based on standard temperature and piping conditions, and it can be found on specifications table. Except for rated value, the performance is not guaranteed.
8. In accordance with the test standard(or nations) and indoor unit's combinations, the rating will vary slightly.

5. Capacity tables

5.7 Z5UW30GFA0 [MU5R30 U40]

◆ Cooling Capacity

Cooling Capacity [-30G-]

Combination capacity index (kbtu/h)	Outdoor Air Temp. (°CDB)	Indoor Air Temp. (°CWB)											
		14		16		18		19		22		24	
		TC	PI	TC	PI	TC	PI	TC	PI	TC	PI	TC	PI
1 Unit Operation													
5	22	1.03	0.20	1.29	0.26	1.48	0.33	1.63	0.34	1.78	0.35	1.90	0.35
	25	0.97	0.22	1.23	0.29	1.43	0.35	1.58	0.37	1.73	0.38	1.84	0.38
	32	0.89	0.25	1.15	0.32	1.35	0.39	1.50	0.40	1.65	0.42	1.76	0.42
	35	0.86	0.26	1.12	0.33	1.32	0.41	1.47	0.42	1.62	0.43	1.73	0.43
	40	0.80	0.28	1.06	0.35	1.26	0.43	1.41	0.44	1.56	0.46	1.67	0.46
	43	0.77	0.30	1.03	0.36	1.23	0.45	1.38	0.46	1.53	0.47	1.64	0.47
7	22	1.44	0.31	1.00	0.38	1.19	0.46	1.36	0.48	1.51	0.49	1.63	0.49
	25	1.36	0.26	1.72	0.34	2.00	0.42	2.21	0.43	2.42	0.45	2.58	0.45
	32	1.25	0.29	1.61	0.37	1.89	0.46	2.10	0.48	2.31	0.49	2.47	0.49
	35	1.20	0.31	1.57	0.39	1.84	0.48	2.05	0.49	2.26	0.51	2.42	0.51
	40	1.13	0.34	1.49	0.41	1.76	0.51	1.97	0.52	2.18	0.54	2.34	0.54
	43	1.08	0.35	1.44	0.43	1.72	0.53	1.93	0.54	2.14	0.56	2.30	0.56
9	22	1.85	0.37	1.39	0.45	1.67	0.55	1.90	0.56	2.12	0.58	2.28	0.58
	25	1.75	0.32	2.22	0.42	2.57	0.52	2.84	0.54	3.11	0.56	3.31	0.56
	32	1.61	0.37	2.07	0.47	2.43	0.58	2.70	0.59	2.97	0.61	3.17	0.62
	35	1.55	0.39	2.01	0.49	2.37	0.60	2.64	0.62	2.91	0.64	3.11	0.64
	40	1.45	0.42	1.91	0.52	2.27	0.64	2.54	0.66	2.81	0.67	3.01	0.68
	43	1.39	0.44	1.85	0.54	2.21	0.66	2.48	0.68	2.75	0.70	2.95	0.70
12	22	2.47	0.40	3.09	0.53	3.56	0.66	3.92	0.69	4.28	0.71	4.55	0.72
	25	2.33	0.44	2.95	0.58	3.43	0.72	3.79	0.74	4.14	0.77	4.42	0.77
	32	2.14	0.50	2.77	0.64	3.24	0.79	3.60	0.81	3.96	0.84	4.23	0.84
	35	2.06	0.53	2.69	0.67	3.16	0.82	3.52	0.85	3.88	0.87	4.15	0.88
	40	1.93	0.57	2.55	0.71	3.02	0.87	3.38	0.90	3.74	0.92	4.02	0.93
	43	1.85	0.60	2.47	0.74	2.94	0.90	3.30	0.93	3.66	0.96	3.93	0.96
15	22	3.70	0.63	4.63	0.84	5.34	1.04	5.88	1.08	6.42	1.12	6.83	1.13
	25	3.50	0.69	4.43	0.91	5.14	1.12	5.68	1.16	6.22	1.20	6.63	1.21
	32	3.22	0.79	4.15	1.00	4.86	1.24	5.40	1.28	5.93	1.32	6.34	1.33
	35	3.10	0.83	4.03	1.04	4.74	1.29	5.28	1.33	5.81	1.37	6.22	1.38
	40	2.90	0.90	3.83	1.11	4.54	1.37	5.07	1.41	5.61	1.45	6.02	1.46
	43	2.77	0.94	3.71	1.16	4.42	1.42	4.95	1.46	5.49	1.50	5.90	1.51
18	22	4.93	0.86	6.18	1.14	7.12	1.42	7.84	1.48	8.56	1.53	9.10	1.54
	25	4.67	0.95	5.91	1.24	6.85	1.53	7.57	1.59	8.29	1.64	8.83	1.65
	32	4.29	1.08	5.53	1.37	6.48	1.69	7.19	1.75	7.91	1.80	8.46	1.81
	35	4.13	1.14	5.37	1.43	6.32	1.76	7.03	1.81	7.75	1.87	8.30	1.88
	40	3.86	1.23	5.10	1.52	6.05	1.87	6.77	1.93	7.48	1.98	8.03	1.99
	43	3.70	1.29	4.94	1.58	5.89	1.94	6.60	2.00	7.32	2.05	7.87	2.06
24	22	3.54	1.35	4.78	1.64	5.73	2.01	6.52	2.06	7.25	2.12	7.81	2.13
	25	3.70	0.63	4.63	0.84	5.34	1.04	5.88	1.08	6.42	1.12	6.83	1.13
	32	3.22	0.79	4.15	1.00	4.86	1.24	5.40	1.28	5.93	1.32	6.34	1.33
	35	3.10	0.83	4.03	1.04	4.74	1.29	5.28	1.33	5.81	1.37	6.22	1.38
	40	2.90	0.90	3.83	1.11	4.54	1.37	5.07	1.41	5.61	1.45	6.02	1.46
	43	2.77	0.94	3.71	1.16	4.42	1.42	4.95	1.46	5.49	1.50	5.90	1.51
2 Units Operation													
5+5	22	2.06	0.30	2.57	0.39	2.97	0.49	3.27	0.51	3.57	0.53	3.79	0.53
	25	1.94	0.33	2.46	0.43	2.86	0.53	3.15	0.55	3.45	0.56	3.68	0.57
	32	1.79	0.37	2.31	0.47	2.70	0.58	3.00	0.60	3.30	0.62	3.52	0.62
	35	1.72	0.39	2.24	0.49	2.63	0.60	2.93	0.62	3.23	0.64	3.46	0.65
	40	1.61	0.42	2.13	0.52	2.52	0.64	2.82	0.66	3.12	0.68	3.35	0.68
	43	1.54	0.44	2.06	0.54	2.45	0.67	2.75	0.69	3.05	0.70	3.28	0.71
5+7	22	2.47	0.36	3.09	0.48	3.56	0.60	3.92	0.62	4.28	0.64	4.55	0.65
	25	2.33	0.40	2.95	0.52	3.43	0.64	3.79	0.67	4.14	0.69	4.42	0.69
	32	2.14	0.45	2.77	0.58	3.24	0.71	3.60	0.73	3.96	0.76	4.23	0.76
	35	2.06	0.48	2.69	0.60	3.16	0.74	3.52	0.76	3.88	0.78	4.15	0.79
	40	1.93	0.52	2.55	0.64	3.02	0.79	3.38	0.81	3.74	0.83	4.02	0.84
	43	1.85	0.54	2.47	0.66	2.94	0.81	3.30	0.84	3.66	0.86	3.93	0.86
46	1.77	0.57	2.39	0.69	2.86	0.84	3.26	0.87	3.63	0.89	3.90	0.89	

5. Capacity tables

Cooling Capacity [-30G-]

Combination capacity index (kBtu/h)	Outdoor Air Temp. (°CDB)	Indoor Air Temp. (°CWB)											
		14		16		18		19		22		24	
		TC	PI	TC	PI	TC	PI	TC	PI	TC	PI	TC	PI
5+9	22	2.88	0.43	3.60	0.57	4.15	0.71	4.57	0.73	4.99	0.76	5.31	0.77
	25	2.72	0.47	3.45	0.62	4.00	0.76	4.42	0.79	4.83	0.82	5.15	0.82
	32	2.50	0.54	3.23	0.68	3.78	0.84	4.20	0.87	4.62	0.90	4.93	0.90
	35	2.41	0.57	3.13	0.71	3.68	0.88	4.10	0.90	4.52	0.93	4.84	0.94
	40	2.25	0.61	2.98	0.76	3.53	0.93	3.95	0.96	4.37	0.99	4.68	0.99
	43	2.16	0.64	2.88	0.79	3.43	0.97	3.85	0.99	4.27	1.02	4.59	1.03
7+7	46	2.06	0.67	2.79	0.81	3.34	1.00	3.81	1.03	4.23	1.05	4.55	1.06
	22	2.88	0.43	3.60	0.57	4.15	0.71	4.57	0.73	4.99	0.76	5.31	0.77
	25	2.72	0.47	3.45	0.62	4.00	0.76	4.42	0.79	4.83	0.82	5.15	0.82
	32	2.50	0.54	3.23	0.68	3.78	0.84	4.20	0.87	4.62	0.90	4.93	0.90
	35	2.41	0.57	3.13	0.71	3.68	0.88	4.10	0.90	4.52	0.93	4.84	0.94
	40	2.25	0.61	2.98	0.76	3.53	0.93	3.95	0.96	4.37	0.99	4.68	0.99
7+9	43	2.16	0.64	2.88	0.79	3.43	0.97	3.85	0.99	4.27	1.02	4.59	1.03
	46	2.06	0.67	2.79	0.81	3.34	1.00	3.81	1.03	4.23	1.05	4.55	1.06
	22	3.29	0.50	4.12	0.66	4.75	0.82	5.23	0.85	5.70	0.88	6.07	0.89
	25	3.11	0.55	3.94	0.71	4.57	0.89	5.05	0.92	5.53	0.95	5.89	0.95
	32	2.86	0.62	3.69	0.79	4.32	0.98	4.80	1.01	5.28	1.04	5.64	1.05
	35	2.75	0.66	3.58	0.82	4.21	1.02	4.69	1.05	5.17	1.08	5.53	1.09
5+12	40	2.57	0.71	3.40	0.88	4.03	1.08	4.51	1.11	4.99	1.14	5.35	1.15
	43	2.47	0.74	3.29	0.91	3.92	1.12	4.40	1.15	4.88	1.18	5.25	1.19
	46	2.36	0.78	3.19	0.94	3.82	1.16	4.35	1.19	4.83	1.22	5.20	1.23
	22	3.49	0.53	4.37	0.71	5.04	0.88	5.55	0.91	6.06	0.95	6.45	0.95
	25	3.30	0.58	4.18	0.76	4.85	0.95	5.36	0.98	5.87	1.01	6.26	1.02
	32	3.04	0.67	3.92	0.85	4.59	1.05	5.10	1.08	5.61	1.11	5.99	1.12
9+9	35	2.92	0.70	3.80	0.88	4.47	1.09	4.98	1.12	5.49	1.15	5.88	1.16
	40	2.73	0.76	3.61	0.94	4.28	1.16	4.79	1.19	5.30	1.22	5.69	1.23
	43	2.62	0.80	3.50	0.98	4.17	1.20	4.68	1.23	5.19	1.27	5.57	1.27
	46	2.51	0.83	3.39	1.01	4.06	1.24	4.62	1.27	5.14	1.31	5.53	1.31
	22	3.70	0.57	4.63	0.75	5.34	0.94	5.88	0.97	6.42	1.01	6.83	1.01
	25	3.50	0.62	4.43	0.82	5.14	1.01	5.68	1.05	6.22	1.08	6.63	1.09
7+12	32	3.22	0.71	4.15	0.90	4.86	1.11	5.40	1.15	5.93	1.19	6.34	1.19
	35	3.10	0.75	4.03	0.94	4.74	1.16	5.28	1.20	5.81	1.23	6.22	1.24
	40	2.90	0.81	3.83	1.00	4.54	1.23	5.07	1.27	5.61	1.31	6.02	1.31
	43	2.77	0.85	3.71	1.04	4.42	1.28	4.95	1.31	5.49	1.35	5.90	1.36
	46	2.65	0.89	3.59	1.08	4.29	1.32	4.89	1.36	5.44	1.40	5.85	1.40
	22	3.91	0.60	4.89	0.80	5.64	0.99	6.21	1.03	6.77	1.07	7.21	1.08
5+15	25	3.69	0.66	4.68	0.87	5.42	1.07	5.99	1.11	6.56	1.15	6.99	1.16
	32	3.40	0.76	4.38	0.96	5.13	1.18	5.70	1.22	6.26	1.26	6.70	1.27
	35	3.27	0.80	4.25	1.00	5.00	1.23	5.57	1.27	6.14	1.31	6.57	1.32
	40	3.06	0.86	4.04	1.07	4.79	1.31	5.36	1.35	5.92	1.39	6.36	1.40
	43	2.93	0.90	3.91	1.11	4.66	1.36	5.23	1.40	5.80	1.44	6.23	1.44
	46	2.80	0.94	3.79	1.15	4.53	1.41	5.17	1.44	5.74	1.48	6.18	1.49
9+12	22	4.11	0.64	5.15	0.85	5.93	1.05	6.53	1.09	7.13	1.14	7.59	1.14
	25	3.89	0.70	4.92	0.92	5.71	1.14	6.31	1.18	6.91	1.22	7.36	1.23
	32	3.57	0.80	4.61	1.02	5.40	1.26	6.00	1.30	6.59	1.34	7.05	1.34
	35	3.44	0.84	4.48	1.06	5.26	1.31	5.86	1.35	6.46	1.39	6.92	1.40
	40	3.22	0.91	4.25	1.13	5.04	1.39	5.64	1.43	6.24	1.47	6.69	1.48
	43	3.08	0.96	4.12	1.17	4.91	1.44	5.50	1.48	6.10	1.52	6.56	1.53
7+15	46	2.95	1.00	3.98	1.21	4.77	1.49	5.44	1.53	6.04	1.57	6.50	1.58
	22	4.32	0.68	5.40	0.90	6.23	1.11	6.86	1.16	7.49	1.20	7.96	1.21
	25	4.08	0.74	5.17	0.97	6.00	1.20	6.62	1.25	7.25	1.29	7.73	1.30
	32	3.75	0.85	4.84	1.08	5.67	1.33	6.30	1.37	6.92	1.41	7.40	1.42
	35	3.61	0.89	4.70	1.12	5.53	1.38	6.15	1.42	6.78	1.47	7.26	1.47
	40	3.38	0.97	4.47	1.19	5.29	1.47	5.92	1.51	6.55	1.56	7.03	1.56
5+18	43	3.24	1.01	4.32	1.24	5.15	1.52	5.78	1.57	6.41	1.61	6.89	1.62
	46	3.10	1.06	4.18	1.28	5.01	1.58	5.71	1.62	6.35	1.66	6.83	1.67
	22	4.52	0.70	5.66	0.93	6.53	1.16	7.19	1.20	7.84	1.24	8.34	1.25
	25	4.28	0.77	5.42	1.01	6.28	1.25	6.94	1.29	7.60	1.34	8.10	1.34
	32	3.93	0.88	5.07	1.11	5.94	1.38	6.60	1.42	7.25	1.46	7.75	1.47
	35	3.78	0.92	4.92	1.16	5.79	1.43	6.45	1.48	7.11	1.52	7.61	1.53
7+18	40	3.54	1.00	4.68	1.24	5.54	1.52	6.20	1.57	6.86	1.61	7.36	1.62
	43	3.39	1.05	4.53	1.28	5.40	1.58	6.05	1.62	6.71	1.67	7.21	1.68
	46	3.24	1.10	4.38	1.33	5.25	1.63	5.98	1.68	6.65	1.72	7.15	1.73
	22	4.73	0.74	5.92	0.98	6.82	1.22	7.51	1.26	8.20	1.31	8.72	1.32
	25	4.47	0.81	5.66	1.06	6.57	1.31	7.25	1.36	7.94	1.41	8.47	1.42
	32	4.11	0.93	5.30	1.17	6.21	1.45	6.90	1.50	7.58	1.54	8.11	1.55
5+21	35	3.96	0.97	5.15	1.22	6.05	1.51	6.74	1.55	7.43	1.60	7.95	1.61
	40	3.70	1.06	4.89	1.30	5.80	1.60	6.48	1.65	7.17	1.70	7.70	1.71
	43	3.55	1.10	4.74	1.35	5.64	1.66	6.33	1.71	7.02	1.76	7.54	1.76
	46	3.39	1.15	4.58	1.40	5.49	1.72	6.25	1.77	6.95	1.81	7.48	1.82

5. Capacity tables

Cooling Capacity [-30G-]

Combination capacity index (kBTu/h)	Outdoor Air Temp. (°CDB)	Indoor Air Temp. (°CWB)											
		14		16		18		19		22		24	
		TC	PI	TC	PI	TC	PI	TC	PI	TC	PI	TC	PI
9+15	22	4.93	0.78	6.18	1.03	7.12	1.28	7.84	1.33	8.56	1.38	9.10	1.39
	25	4.67	0.85	5.91	1.11	6.85	1.38	7.57	1.43	8.29	1.48	8.83	1.49
	32	4.29	0.97	5.53	1.23	6.48	1.52	7.19	1.57	7.91	1.62	8.46	1.63
	35	4.13	1.02	5.37	1.29	6.32	1.58	7.03	1.63	7.75	1.68	8.30	1.69
	40	3.86	1.11	5.10	1.37	6.05	1.69	6.77	1.73	7.48	1.78	8.03	1.79
	43	3.70	1.16	4.94	1.42	5.89	1.75	6.60	1.80	7.32	1.85	7.87	1.85
	46	3.54	1.21	4.78	1.47	5.73	1.81	6.52	1.86	7.25	1.91	7.81	1.92
12+12	22	4.93	0.78	6.18	1.03	7.12	1.28	7.84	1.33	8.56	1.38	9.10	1.39
	25	4.67	0.85	5.91	1.11	6.85	1.38	7.57	1.43	8.29	1.48	8.83	1.49
	32	4.29	0.97	5.53	1.23	6.48	1.52	7.19	1.57	7.91	1.62	8.46	1.63
	35	4.13	1.02	5.37	1.29	6.32	1.58	7.03	1.63	7.75	1.68	8.30	1.69
	40	3.86	1.11	5.10	1.37	6.05	1.69	6.77	1.73	7.48	1.78	8.03	1.79
	43	3.70	1.16	4.94	1.42	5.89	1.75	6.60	1.80	7.32	1.85	7.87	1.85
	46	3.54	1.21	4.78	1.47	5.73	1.81	6.52	1.86	7.25	1.91	7.81	1.92
7+18	22	5.14	0.84	6.43	1.11	7.42	1.37	8.17	1.43	8.91	1.48	9.48	1.49
	25	4.86	0.92	6.15	1.20	7.14	1.48	7.89	1.54	8.63	1.59	9.20	1.60
	32	4.47	1.05	5.76	1.33	6.75	1.64	7.49	1.69	8.24	1.74	8.81	1.75
	35	4.30	1.10	5.60	1.38	6.58	1.70	7.33	1.76	8.08	1.81	8.64	1.82
	40	4.02	1.19	5.32	1.47	6.30	1.81	7.05	1.86	7.80	1.92	8.36	1.93
	43	3.85	1.25	5.15	1.53	6.13	1.88	6.88	1.93	7.63	1.98	8.20	1.99
	46	3.69	1.30	4.98	1.58	5.96	1.94	6.80	2.00	7.55	2.05	8.13	2.06
9+18	22	5.55	0.96	6.95	1.27	8.01	1.57	8.82	1.63	9.63	1.70	10.24	1.71
	25	5.25	1.05	6.65	1.37	7.71	1.70	8.52	1.76	9.32	1.82	9.94	1.83
	32	4.83	1.20	6.22	1.52	7.29	1.87	8.09	1.94	8.90	2.00	9.52	2.01
	35	4.65	1.26	6.04	1.58	7.11	1.95	7.91	2.01	8.72	2.07	9.34	2.08
	40	4.34	1.37	5.74	1.69	6.80	2.08	7.61	2.14	8.42	2.20	9.03	2.21
	43	4.16	1.43	5.56	1.75	6.62	2.15	7.43	2.21	8.24	2.27	8.85	2.28
	46	3.98	1.49	5.38	1.81	6.44	2.23	7.34	2.29	8.16	2.35	8.78	2.36
12+15	22	5.55	0.96	6.95	1.27	8.01	1.57	8.82	1.63	9.63	1.70	10.24	1.71
	25	5.25	1.05	6.65	1.37	7.71	1.70	8.52	1.76	9.32	1.82	9.94	1.83
	32	4.83	1.20	6.22	1.52	7.29	1.87	8.09	1.94	8.90	2.00	9.52	2.01
	35	4.65	1.26	6.04	1.58	7.11	1.95	7.91	2.01	8.72	2.07	9.34	2.08
	40	4.34	1.37	5.74	1.69	6.80	2.08	7.61	2.14	8.42	2.20	9.03	2.21
	43	4.16	1.43	5.56	1.75	6.62	2.15	7.43	2.21	8.24	2.27	8.85	2.28
	46	3.98	1.49	5.38	1.81	6.44	2.23	7.34	2.29	8.16	2.35	8.78	2.36
5+24	22	5.96	1.09	7.46	1.44	8.60	1.79	9.47	1.86	10.34	1.93	11.00	1.94
	25	5.64	1.19	7.14	1.56	8.28	1.93	9.15	2.00	10.02	2.07	10.68	2.08
	32	5.18	1.36	6.68	1.73	7.83	2.13	8.69	2.20	9.56	2.27	10.22	2.28
	35	4.99	1.43	6.49	1.80	7.63	2.22	8.50	2.28	9.37	2.35	10.03	2.37
	40	4.67	1.55	6.17	1.92	7.31	2.36	8.18	2.43	9.04	2.49	9.70	2.51
	43	4.47	1.62	5.97	1.99	7.11	2.44	7.98	2.51	8.85	2.58	9.51	2.59
	46	4.28	1.70	5.78	2.06	6.92	2.53	7.88	2.60	8.76	2.67	9.43	2.68
12+18	22	6.17	1.16	7.72	1.53	8.90	1.90	9.80	1.98	10.70	2.05	11.38	2.06
	25	5.83	1.27	7.38	1.66	8.57	2.05	9.46	2.13	10.36	2.20	11.04	2.21
	32	5.36	1.45	6.92	1.84	8.10	2.27	8.99	2.34	9.89	2.41	10.57	2.43
	35	5.16	1.52	6.71	1.91	7.89	2.36	8.79	2.43	9.69	2.50	10.37	2.52
	40	4.83	1.65	6.38	2.04	7.56	2.51	8.46	2.58	9.36	2.65	10.04	2.67
	43	4.62	1.73	6.18	2.12	7.36	2.60	8.26	2.67	9.15	2.74	9.84	2.76
	46	4.42	1.80	5.98	2.19	7.16	2.69	8.16	2.76	9.07	2.84	9.76	2.85
15+15	22	6.17	1.16	7.72	1.53	8.90	1.90	9.80	1.98	10.70	2.05	11.38	2.06
	25	5.83	1.27	7.38	1.66	8.57	2.05	9.46	2.13	10.36	2.20	11.04	2.21
	32	5.36	1.45	6.92	1.84	8.10	2.27	8.99	2.34	9.89	2.41	10.57	2.43
	35	5.16	1.52	6.71	1.91	7.89	2.36	8.79	2.43	9.69	2.50	10.37	2.52
	40	4.83	1.65	6.38	2.04	7.56	2.51	8.46	2.58	9.36	2.65	10.04	2.67
	43	4.62	1.73	6.18	2.12	7.36	2.60	8.26	2.67	9.15	2.74	9.84	2.76
	46	4.42	1.80	5.98	2.19	7.16	2.69	8.16	2.76	9.07	2.84	9.76	2.85
7+24	22	6.17	1.16	7.72	1.53	8.90	1.90	9.80	1.98	10.70	2.05	11.38	2.06
	25	5.83	1.27	7.38	1.66	8.57	2.05	9.46	2.13	10.36	2.20	11.04	2.21
	32	5.36	1.45	6.92	1.84	8.10	2.27	8.99	2.34	9.89	2.41	10.57	2.43
	35	5.16	1.52	6.71	1.91	7.89	2.36	8.79	2.43	9.69	2.50	10.37	2.52
	40	4.83	1.65	6.38	2.04	7.56	2.51	8.46	2.58	9.36	2.65	10.04	2.67
	43	4.62	1.73	6.18	2.12	7.36	2.60	8.26	2.67	9.15	2.74	9.84	2.76
	46	4.42	1.80	5.98	2.19	7.16	2.69	8.16	2.76	9.07	2.84	9.76	2.85
9+24	22	6.17	1.16	7.72	1.53	8.90	1.90	9.80	1.98	10.70	2.05	11.38	2.06
	25	5.83	1.27	7.38	1.66	8.57	2.05	9.46	2.13	10.36	2.20	11.04	2.21
	32	5.36	1.45	6.92	1.84	8.10	2.27	8.99	2.34	9.89	2.41	10.57	2.43
	35	5.16	1.52	6.71	1.91	7.89	2.36	8.79	2.43	9.69	2.50	10.37	2.52
	40	4.83	1.65	6.38	2.04	7.56	2.51	8.46	2.58	9.36	2.65	10.04	2.67
	43	4.62	1.73	6.18	2.12	7.36	2.60	8.26	2.67	9.15	2.74	9.84	2.76
	46	4.42	1.80	5.98	2.19	7.16	2.69	8.16	2.76	9.07	2.84	9.76	2.85

5. Capacity tables

Cooling Capacity [-30G-]

Combination capacity index (kBtu/h)	Outdoor Air Temp. (°CDB)	Indoor Air Temp. (°CWB)											
		14		16		18		19		22		24	
		TC	PI	TC	PI	TC	PI	TC	PI	TC	PI	TC	PI
15+18	22	6.17	1.16	7.72	1.53	8.90	1.90	9.80	1.98	10.70	2.05	11.38	2.06
	25	5.83	1.27	7.38	1.66	8.57	2.05	9.46	2.13	10.36	2.20	11.04	2.21
	32	5.36	1.45	6.92	1.84	8.10	2.27	8.99	2.34	9.89	2.41	10.57	2.43
	35	5.16	1.52	6.71	1.91	7.89	2.36	8.79	2.43	9.69	2.50	10.37	2.52
	40	4.83	1.65	6.38	2.04	7.56	2.51	8.46	2.58	9.36	2.65	10.04	2.67
	43	4.62	1.73	6.18	2.12	7.36	2.60	8.26	2.67	9.15	2.74	9.84	2.76
	46	4.42	1.80	5.98	2.19	7.16	2.69	8.16	2.76	9.07	2.84	9.76	2.85
18+18	22	6.17	1.16	7.72	1.53	8.90	1.90	9.80	1.98	10.70	2.05	11.38	2.06
	25	5.83	1.27	7.38	1.66	8.57	2.05	9.46	2.13	10.36	2.20	11.04	2.21
	32	5.36	1.45	6.92	1.84	8.10	2.27	8.99	2.34	9.89	2.41	10.57	2.43
	35	5.16	1.52	6.71	1.91	7.89	2.36	8.79	2.43	9.69	2.50	10.37	2.52
	40	4.83	1.65	6.38	2.04	7.56	2.51	8.46	2.58	9.36	2.65	10.04	2.67
	43	4.62	1.73	6.18	2.12	7.36	2.60	8.26	2.67	9.15	2.74	9.84	2.76
	46	4.42	1.80	5.98	2.19	7.16	2.69	8.16	2.76	9.07	2.84	9.76	2.85
12+24	22	6.17	1.16	7.72	1.53	8.90	1.90	9.80	1.98	10.70	2.05	11.38	2.06
	25	5.83	1.27	7.38	1.66	8.57	2.05	9.46	2.13	10.36	2.20	11.04	2.21
	32	5.36	1.45	6.92	1.84	8.10	2.27	8.99	2.34	9.89	2.41	10.57	2.43
	35	5.16	1.52	6.71	1.91	7.89	2.36	8.79	2.43	9.69	2.50	10.37	2.52
	40	4.83	1.65	6.38	2.04	7.56	2.51	8.46	2.58	9.36	2.65	10.04	2.67
	43	4.62	1.73	6.18	2.12	7.36	2.60	8.26	2.67	9.15	2.74	9.84	2.76
	46	4.42	1.80	5.98	2.19	7.16	2.69	8.16	2.76	9.07	2.84	9.76	2.85
15+24	22	6.17	1.16	7.72	1.53	8.90	1.90	9.80	1.98	10.70	2.05	11.38	2.06
	25	5.83	1.27	7.38	1.66	8.57	2.05	9.46	2.13	10.36	2.20	11.04	2.21
	32	5.36	1.45	6.92	1.84	8.10	2.27	8.99	2.34	9.89	2.41	10.57	2.43
	35	5.16	1.52	6.71	1.91	7.89	2.36	8.79	2.43	9.69	2.50	10.37	2.52
	40	4.83	1.65	6.38	2.04	7.56	2.51	8.46	2.58	9.36	2.65	10.04	2.67
	43	4.62	1.73	6.18	2.12	7.36	2.60	8.26	2.67	9.15	2.74	9.84	2.76
	46	4.42	1.80	5.98	2.19	7.16	2.69	8.16	2.76	9.07	2.84	9.76	2.85
18+24	22	6.17	1.16	7.72	1.53	8.90	1.90	9.80	1.98	10.70	2.05	11.38	2.06
	25	5.83	1.27	7.38	1.66	8.57	2.05	9.46	2.13	10.36	2.20	11.04	2.21
	32	5.36	1.45	6.92	1.84	8.10	2.27	8.99	2.34	9.89	2.41	10.57	2.43
	35	5.16	1.52	6.71	1.91	7.89	2.36	8.79	2.43	9.69	2.50	10.37	2.52
	40	4.83	1.65	6.38	2.04	7.56	2.51	8.46	2.58	9.36	2.65	10.04	2.67
	43	4.62	1.73	6.18	2.12	7.36	2.60	8.26	2.67	9.15	2.74	9.84	2.76
	46	4.42	1.80	5.98	2.19	7.16	2.69	8.16	2.76	9.07	2.84	9.76	2.85
24+24	22	6.17	1.16	7.72	1.53	8.90	1.90	9.80	1.98	10.70	2.05	11.38	2.06
	25	5.83	1.27	7.38	1.66	8.57	2.05	9.46	2.13	10.36	2.20	11.04	2.21
	32	5.36	1.45	6.92	1.84	8.10	2.27	8.99	2.34	9.89	2.41	10.57	2.43
	35	5.16	1.52	6.71	1.91	7.89	2.36	8.79	2.43	9.69	2.50	10.37	2.52
	40	4.83	1.65	6.38	2.04	7.56	2.51	8.46	2.58	9.36	2.65	10.04	2.67
	43	4.62	1.73	6.18	2.12	7.36	2.60	8.26	2.67	9.15	2.74	9.84	2.76
	46	4.42	1.80	5.98	2.19	7.16	2.69	8.16	2.76	9.07	2.84	9.76	2.85
3 Units Operation													
5+5+5	22	3.08	0.44	3.86	0.58	4.45	0.72	4.90	0.74	5.35	0.77	5.69	0.78
	25	2.92	0.48	3.69	0.62	4.28	0.77	4.73	0.80	5.18	0.83	5.52	0.83
	32	2.68	0.55	3.46	0.69	4.05	0.85	4.50	0.88	4.95	0.91	5.29	0.91
	35	2.58	0.57	3.36	0.72	3.95	0.89	4.40	0.92	4.85	0.94	5.19	0.95
	40	2.41	0.62	3.19	0.77	3.78	0.95	4.23	0.97	4.68	1.00	5.02	1.01
	43	2.31	0.65	3.09	0.80	3.68	0.98	4.13	1.01	4.58	1.03	4.92	1.04
	46	2.21	0.68	2.99	0.83	3.58	1.01	4.08	1.04	4.53	1.07	4.88	1.07
5+5+7	22	3.49	0.50	4.37	0.66	5.04	0.82	5.55	0.86	6.06	0.89	6.45	0.89
	25	3.30	0.55	4.18	0.72	4.85	0.89	5.36	0.92	5.87	0.95	6.26	0.96
	32	3.04	0.63	3.92	0.80	4.59	0.98	5.10	1.01	5.61	1.05	5.99	1.05
	35	2.92	0.66	3.80	0.83	4.47	1.02	4.98	1.05	5.49	1.09	5.88	1.09
	40	2.73	0.72	3.61	0.88	4.28	1.09	4.79	1.12	5.30	1.15	5.69	1.16
	43	2.62	0.75	3.50	0.92	4.17	1.13	4.68	1.16	5.19	1.19	5.57	1.20
	46	2.51	0.78	3.39	0.95	4.06	1.17	4.62	1.20	5.14	1.23	5.53	1.24
5+5+9	22	3.91	0.57	4.89	0.75	5.64	0.94	6.21	0.97	6.77	1.01	7.21	1.01
	25	3.69	0.62	4.68	0.81	5.42	1.01	5.99	1.05	6.56	1.08	6.99	1.09
	32	3.40	0.71	4.38	0.90	5.13	1.11	5.70	1.15	6.26	1.19	6.70	1.19
	35	3.27	0.75	4.25	0.94	5.00	1.16	5.57	1.19	6.14	1.23	6.57	1.24
	40	3.06	0.81	4.04	1.00	4.79	1.23	5.36	1.27	5.92	1.30	6.36	1.31
	43	2.93	0.85	3.91	1.04	4.66	1.28	5.23	1.31	5.80	1.35	6.23	1.36
	46	2.80	0.89	3.79	1.08	4.53	1.32	5.17	1.36	5.74	1.39	6.18	1.40
5+7+7	22	3.91	0.57	4.89	0.75	5.64	0.94	6.21	0.97	6.77	1.01	7.21	1.01
	25	3.69	0.62	4.68	0.81	5.42	1.01	5.99	1.05	6.56	1.08	6.99	1.09
	32	3.40	0.71	4.38	0.90	5.13	1.11	5.70	1.15	6.26	1.19	6.70	1.19
	35	3.27	0.75	4.25	0.94	5.00	1.16	5.57	1.19	6.14	1.23	6.57	1.24
	40	3.06	0.81	4.04	1.00	4.79	1.23	5.36	1.27	5.92	1.30	6.36	1.31
	43	2.93	0.85	3.91	1.04	4.66	1.28	5.23	1.31	5.80	1.35	6.23	1.36
	46	2.80	0.89	3.79	1.08	4.53	1.32	5.17	1.36	5.74	1.39	6.18	1.40

5. Capacity tables

Cooling Capacity [-30G-]

Combination capacity index (kBtu/h)	Outdoor Air Temp. (°CDB)	Indoor Air Temp. (°CWB)											
		14		16		18		19		22		24	
		TC	PI	TC	PI	TC	PI	TC	PI	TC	PI	TC	PI
5+7+9	22	4.32	0.64	5.40	0.84	6.23	1.05	6.86	1.09	7.49	1.13	7.96	1.14
	25	4.08	0.70	5.17	0.91	6.00	1.13	6.62	1.17	7.25	1.21	7.73	1.22
	32	3.75	0.80	4.84	1.01	5.67	1.25	6.30	1.29	6.92	1.33	7.40	1.34
	35	3.61	0.84	4.70	1.05	5.53	1.30	6.15	1.34	6.78	1.38	7.26	1.39
	40	3.38	0.91	4.47	1.12	5.29	1.38	5.92	1.42	6.55	1.46	7.03	1.47
	43	3.24	0.95	4.32	1.17	5.15	1.43	5.78	1.47	6.41	1.51	6.89	1.52
7+7+7	46	3.10	0.99	4.18	1.21	5.01	1.48	5.71	1.52	6.35	1.56	6.83	1.57
	22	4.32	0.64	5.40	0.84	6.23	1.05	6.86	1.09	7.49	1.13	7.96	1.14
	25	4.08	0.70	5.17	0.91	6.00	1.13	6.62	1.17	7.25	1.21	7.73	1.22
	32	3.75	0.80	4.84	1.01	5.67	1.25	6.30	1.29	6.92	1.33	7.40	1.34
	35	3.61	0.84	4.70	1.05	5.53	1.30	6.15	1.34	6.78	1.38	7.26	1.39
	40	3.38	0.91	4.47	1.12	5.29	1.38	5.92	1.42	6.55	1.46	7.03	1.47
5+5+12	43	3.24	0.95	4.32	1.17	5.15	1.43	5.78	1.47	6.41	1.51	6.89	1.52
	46	3.10	0.99	4.18	1.21	5.01	1.48	5.71	1.52	6.35	1.56	6.83	1.57
	22	4.52	0.66	5.66	0.87	6.53	1.09	7.19	1.13	7.84	1.17	8.34	1.18
	25	4.28	0.72	5.42	0.95	6.28	1.17	6.94	1.21	7.60	1.26	8.10	1.26
	32	3.93	0.83	5.07	1.05	5.94	1.29	6.60	1.33	7.25	1.38	7.75	1.38
	35	3.78	0.87	4.92	1.09	5.79	1.34	6.45	1.39	7.11	1.43	7.61	1.44
5+9+9	40	3.54	0.94	4.68	1.16	5.54	1.43	6.20	1.47	6.86	1.51	7.36	1.52
	43	3.39	0.99	4.53	1.21	5.40	1.48	6.05	1.53	6.71	1.57	7.21	1.58
	46	3.24	1.03	4.38	1.25	5.25	1.54	5.98	1.58	6.65	1.62	7.15	1.63
	22	4.73	0.70	5.92	0.92	6.82	1.14	7.51	1.19	8.20	1.23	8.72	1.24
	25	4.47	0.76	5.66	1.00	6.57	1.23	7.25	1.28	7.94	1.32	8.47	1.33
	32	4.11	0.87	5.30	1.10	6.21	1.36	6.90	1.41	7.58	1.45	8.11	1.46
7+7+9	35	3.96	0.92	5.15	1.15	6.05	1.42	6.74	1.46	7.43	1.50	7.95	1.51
	40	3.70	0.99	4.89	1.23	5.80	1.51	6.48	1.55	7.17	1.60	7.70	1.60
	43	3.55	1.04	4.74	1.27	5.64	1.56	6.33	1.61	7.02	1.65	7.54	1.66
	46	3.39	1.08	4.58	1.32	5.49	1.62	6.25	1.66	6.95	1.70	7.48	1.71
	22	4.73	0.70	5.92	0.92	6.82	1.14	7.51	1.19	8.20	1.23	8.72	1.24
	25	4.47	0.76	5.66	1.00	6.57	1.23	7.25	1.28	7.94	1.32	8.47	1.33
5+7+12	32	4.11	0.87	5.30	1.10	6.21	1.36	6.90	1.41	7.58	1.45	8.11	1.46
	35	3.96	0.92	5.15	1.15	6.05	1.42	6.74	1.46	7.43	1.50	7.95	1.51
	40	3.70	0.99	4.89	1.23	5.80	1.51	6.48	1.55	7.17	1.60	7.70	1.60
	43	3.55	1.04	4.74	1.27	5.64	1.56	6.33	1.61	7.02	1.65	7.54	1.66
	46	3.39	1.08	4.58	1.32	5.49	1.62	6.25	1.66	6.95	1.70	7.48	1.71
	22	4.93	0.73	6.18	0.97	7.12	1.20	7.84	1.25	8.56	1.29	9.10	1.30
5+5+15	25	4.67	0.80	5.91	1.05	6.85	1.30	7.57	1.34	8.29	1.39	8.83	1.40
	32	4.29	0.91	5.53	1.16	6.48	1.43	7.19	1.48	7.91	1.52	8.46	1.53
	35	4.13	0.96	5.37	1.21	6.32	1.49	7.03	1.54	7.75	1.58	8.30	1.59
	40	3.86	1.04	5.10	1.29	6.05	1.58	6.77	1.63	7.48	1.68	8.03	1.69
	43	3.70	1.09	4.94	1.34	5.89	1.64	6.60	1.69	7.32	1.73	7.87	1.74
	46	3.54	1.14	4.78	1.39	5.73	1.70	6.52	1.75	7.25	1.79	7.81	1.80
7+9+9	22	5.14	0.79	6.43	1.04	7.42	1.29	8.17	1.34	8.91	1.39	9.48	1.40
	25	4.86	0.86	6.15	1.13	7.14	1.39	7.89	1.44	8.63	1.49	9.20	1.50
	32	4.47	0.98	5.76	1.25	6.75	1.54	7.49	1.59	8.24	1.64	8.81	1.65
	35	4.30	1.03	5.60	1.30	6.58	1.60	7.33	1.65	8.08	1.70	8.64	1.71
	40	4.02	1.12	5.32	1.38	6.30	1.70	7.05	1.75	7.80	1.80	8.36	1.81
	43	3.85	1.17	5.15	1.44	6.13	1.76	6.88	1.81	7.63	1.86	8.20	1.87
5+9+12	46	3.69	1.22	4.98	1.49	5.96	1.83	6.80	1.88	7.55	1.93	8.13	1.94
	22	5.34	0.84	6.69	1.11	7.71	1.38	8.49	1.44	9.27	1.49	9.86	1.50
	25	5.05	0.92	6.40	1.21	7.42	1.49	8.20	1.55	8.98	1.60	9.57	1.61
	32	4.65	1.05	5.99	1.34	7.02	1.65	7.79	1.70	8.57	1.75	9.16	1.77
	35	4.47	1.11	5.82	1.39	6.84	1.71	7.62	1.77	8.40	1.82	8.99	1.83
	40	4.18	1.20	5.53	1.48	6.55	1.82	7.33	1.88	8.11	1.93	8.70	1.94
7+7+12	43	4.01	1.26	5.35	1.54	6.38	1.89	7.16	1.94	7.93	2.00	8.52	2.01
	46	3.83	1.31	5.18	1.59	6.20	1.96	7.07	2.01	7.86	2.06	8.46	2.07
	22	5.34	0.84	6.69	1.11	7.71	1.38	8.49	1.44	9.27	1.49	9.86	1.50
	25	5.05	0.92	6.40	1.21	7.42	1.49	8.20	1.55	8.98	1.60	9.57	1.61
	32	4.65	1.05	5.99	1.34	7.02	1.65	7.79	1.70	8.57	1.75	9.16	1.77
	35	4.47	1.11	5.82	1.39	6.84	1.71	7.62	1.77	8.40	1.82	8.99	1.83
7+7+12	40	4.18	1.20	5.53	1.48	6.55	1.82	7.33	1.88	8.11	1.93	8.70	1.94
	43	4.01	1.26	5.35	1.54	6.38	1.89	7.16	1.94	7.93	2.00	8.52	2.01
	46	3.83	1.31	5.18	1.59	6.20	1.96	7.07	2.01	7.86	2.06	8.46	2.07
	22	5.34	0.84	6.69	1.11	7.71	1.38	8.49	1.44	9.27	1.49	9.86	1.50
	25	5.05	0.92	6.40	1.21	7.42	1.49	8.20	1.55	8.98	1.60	9.57	1.61
	32	4.65	1.05	5.99	1.34	7.02	1.65	7.79	1.70	8.57	1.75	9.16	1.77

5. Capacity tables

Cooling Capacity [-30G-]

Combination capacity index (kBTu/h)	Outdoor Air Temp. (°CDB)	Indoor Air Temp. (°CWB)											
		14		16		18		19		22		24	
		TC	PI	TC	PI	TC	PI	TC	PI	TC	PI	TC	PI
5+7+15	22	5.55	0.90	6.95	1.19	8.01	1.48	8.82	1.54	9.63	1.59	10.24	1.60
	25	5.25	0.99	6.65	1.29	7.71	1.60	8.52	1.65	9.32	1.71	9.94	1.72
	32	4.83	1.13	6.22	1.43	7.29	1.76	8.09	1.82	8.90	1.88	9.52	1.89
	35	4.65	1.18	6.04	1.49	7.11	1.83	7.91	1.89	8.72	1.95	9.34	1.96
	40	4.34	1.28	5.74	1.59	6.80	1.95	7.61	2.01	8.42	2.06	9.03	2.08
	43	4.16	1.34	5.56	1.65	6.62	2.02	7.43	2.08	8.24	2.14	8.85	2.15
	46	3.98	1.40	5.38	1.71	6.44	2.09	7.34	2.15	8.16	2.21	8.78	2.22
9+9+9	22	5.55	0.90	6.95	1.19	8.01	1.48	8.82	1.54	9.63	1.59	10.24	1.60
	25	5.25	0.99	6.65	1.29	7.71	1.60	8.52	1.65	9.32	1.71	9.94	1.72
	32	4.83	1.13	6.22	1.43	7.29	1.76	8.09	1.82	8.90	1.88	9.52	1.89
	35	4.65	1.18	6.04	1.49	7.11	1.83	7.91	1.89	8.72	1.95	9.34	1.96
	40	4.34	1.28	5.74	1.59	6.80	1.95	7.61	2.01	8.42	2.06	9.03	2.08
	43	4.16	1.34	5.56	1.65	6.62	2.02	7.43	2.08	8.24	2.14	8.85	2.15
	46	3.98	1.40	5.38	1.71	6.44	2.09	7.34	2.15	8.16	2.21	8.78	2.22
7+9+12	22	5.76	0.97	7.21	1.28	8.31	1.59	9.14	1.65	9.98	1.71	10.62	1.72
	25	5.44	1.06	6.89	1.38	7.99	1.71	8.83	1.78	9.67	1.84	10.31	1.85
	32	5.00	1.21	6.45	1.53	7.56	1.89	8.39	1.95	9.23	2.01	9.87	2.03
	35	4.82	1.27	6.27	1.60	7.37	1.97	8.21	2.03	9.04	2.09	9.68	2.10
	40	4.50	1.38	5.95	1.70	7.06	2.09	7.89	2.15	8.73	2.22	9.37	2.23
	43	4.32	1.44	5.77	1.77	6.87	2.17	7.71	2.23	8.54	2.29	9.18	2.30
	46	4.13	1.51	5.58	1.83	6.68	2.24	7.61	2.31	8.46	2.37	9.11	2.38
5+5+18	22	5.76	0.97	7.21	1.28	8.31	1.59	9.14	1.65	9.98	1.71	10.62	1.72
	25	5.44	1.06	6.89	1.38	7.99	1.71	8.83	1.78	9.67	1.84	10.31	1.85
	32	5.00	1.21	6.45	1.53	7.56	1.89	8.39	1.95	9.23	2.01	9.87	2.03
	35	4.82	1.27	6.27	1.60	7.37	1.97	8.21	2.03	9.04	2.09	9.68	2.10
	40	4.50	1.38	5.95	1.70	7.06	2.09	7.89	2.15	8.73	2.22	9.37	2.23
	43	4.32	1.44	5.77	1.77	6.87	2.17	7.71	2.23	8.54	2.29	9.18	2.30
	46	4.13	1.51	5.58	1.83	6.68	2.24	7.61	2.31	8.46	2.37	9.11	2.38
5+9+15	22	5.96	1.03	7.46	1.37	8.60	1.70	9.47	1.77	10.34	1.83	11.00	1.85
	25	5.64	1.13	7.14	1.48	8.28	1.84	9.15	1.90	10.02	1.97	10.68	1.98
	32	5.18	1.29	6.68	1.64	7.83	2.03	8.69	2.09	9.56	2.16	10.22	2.17
	35	4.99	1.36	6.49	1.71	7.63	2.11	8.50	2.17	9.37	2.24	10.03	2.25
	40	4.67	1.48	6.17	1.82	7.31	2.24	8.18	2.31	9.04	2.37	9.70	2.39
	43	4.47	1.54	5.97	1.89	7.11	2.32	7.98	2.39	8.85	2.46	9.51	2.47
	46	4.28	1.61	5.78	1.96	6.92	2.41	7.88	2.47	8.76	2.54	9.43	2.55
5+12+12	22	5.96	1.03	7.46	1.37	8.60	1.70	9.47	1.77	10.34	1.83	11.00	1.85
	25	5.64	1.13	7.14	1.48	8.28	1.84	9.15	1.90	10.02	1.97	10.68	1.98
	32	5.18	1.29	6.68	1.64	7.83	2.03	8.69	2.09	9.56	2.16	10.22	2.17
	35	4.99	1.36	6.49	1.71	7.63	2.11	8.50	2.17	9.37	2.24	10.03	2.25
	40	4.67	1.48	6.17	1.82	7.31	2.24	8.18	2.31	9.04	2.37	9.70	2.39
	43	4.47	1.54	5.97	1.89	7.11	2.32	7.98	2.39	8.85	2.46	9.51	2.47
	46	4.28	1.61	5.78	1.96	6.92	2.41	7.88	2.47	8.76	2.54	9.43	2.55
7+7+15	22	5.96	1.03	7.46	1.37	8.60	1.70	9.47	1.77	10.34	1.83	11.00	1.85
	25	5.64	1.13	7.14	1.48	8.28	1.84	9.15	1.90	10.02	1.97	10.68	1.98
	32	5.18	1.29	6.68	1.64	7.83	2.03	8.69	2.09	9.56	2.16	10.22	2.17
	35	4.99	1.36	6.49	1.71	7.63	2.11	8.50	2.17	9.37	2.24	10.03	2.25
	40	4.67	1.48	6.17	1.82	7.31	2.24	8.18	2.31	9.04	2.37	9.70	2.39
	43	4.47	1.54	5.97	1.89	7.11	2.32	7.98	2.39	8.85	2.46	9.51	2.47
	46	4.28	1.61	5.78	1.96	6.92	2.41	7.88	2.47	8.76	2.54	9.43	2.55
5+7+18	22	6.17	1.11	7.72	1.46	8.90	1.82	9.80	1.89	10.70	1.96	11.38	1.97
	25	5.83	1.21	7.38	1.59	8.57	1.97	9.46	2.04	10.36	2.11	11.04	2.12
	32	5.36	1.38	6.92	1.76	8.10	2.17	8.99	2.24	9.89	2.31	10.57	2.32
	35	5.16	1.46	6.71	1.83	7.89	2.26	8.79	2.33	9.69	2.40	10.37	2.41
	40	4.83	1.58	6.38	1.95	7.56	2.40	8.46	2.47	9.36	2.54	10.04	2.55
	43	4.62	1.65	6.18	2.03	7.36	2.49	8.26	2.56	9.15	2.63	9.84	2.64
	46	4.42	1.73	5.98	2.10	7.16	2.57	8.16	2.64	9.07	2.71	9.76	2.73
9+9+12	22	6.17	1.11	7.72	1.46	8.90	1.82	9.80	1.89	10.70	1.96	11.38	1.97
	25	5.83	1.21	7.38	1.59	8.57	1.97	9.46	2.04	10.36	2.11	11.04	2.12
	32	5.36	1.38	6.92	1.76	8.10	2.17	8.99	2.24	9.89	2.31	10.57	2.32
	35	5.16	1.46	6.71	1.83	7.89	2.26	8.79	2.33	9.69	2.40	10.37	2.41
	40	4.83	1.58	6.38	1.95	7.56	2.40	8.46	2.47	9.36	2.54	10.04	2.55
	43	4.62	1.65	6.18	2.03	7.36	2.49	8.26	2.56	9.15	2.63	9.84	2.64
	46	4.42	1.73	5.98	2.10	7.16	2.57	8.16	2.64	9.07	2.71	9.76	2.73
7+9+15	22	6.17	1.11	7.72	1.46	8.90	1.82	9.80	1.89	10.70	1.96	11.38	1.97
	25	5.83	1.21	7.38	1.59	8.57	1.97	9.46	2.04	10.36	2.11	11.04	2.12
	32	5.36	1.38	6.92	1.76	8.10	2.17	8.99	2.24	9.89	2.31	10.57	2.32
	35	5.16	1.46	6.71	1.83	7.89	2.26	8.79	2.33	9.69	2.40	10.37	2.41
	40	4.83	1.58	6.38	1.95	7.56	2.40	8.46	2.47	9.36	2.54	10.04	2.55
	43	4.62	1.65	6.18	2.03	7.36	2.49	8.26	2.56	9.15	2.63	9.84	2.64
	46	4.42	1.73	5.98	2.10	7.16	2.57	8.16	2.64	9.07	2.71	9.76	2.73

5. Capacity tables

Cooling Capacity [-30G-]

Combination capacity index (kBtu/h)	Outdoor Air Temp. (°CDB)	Indoor Air Temp. (°CWB)											
		14		16		18		19		22		24	
		TC	PI	TC	PI	TC	PI	TC	PI	TC	PI	TC	PI
7+12+12	22	6.17	1.11	7.72	1.46	8.90	1.82	9.80	1.89	10.70	1.96	11.38	1.97
	25	5.83	1.21	7.38	1.59	8.57	1.97	9.46	2.04	10.36	2.11	11.04	2.12
	32	5.36	1.38	6.92	1.76	8.10	2.17	8.99	2.24	9.89	2.31	10.57	2.32
	35	5.16	1.46	6.71	1.83	7.89	2.26	8.79	2.33	9.69	2.40	10.37	2.41
	40	4.83	1.58	6.38	1.95	7.56	2.40	8.46	2.47	9.36	2.54	10.04	2.55
	43	4.62	1.65	6.18	2.03	7.36	2.49	8.26	2.56	9.15	2.63	9.84	2.64
	46	4.42	1.73	5.98	2.10	7.16	2.57	8.16	2.64	9.07	2.71	9.76	2.73
5+12+15	22	6.17	1.11	7.72	1.46	8.90	1.82	9.80	1.89	10.70	1.96	11.38	1.97
	25	5.83	1.21	7.38	1.59	8.57	1.97	9.46	2.04	10.36	2.11	11.04	2.12
	32	5.36	1.38	6.92	1.76	8.10	2.17	8.99	2.24	9.89	2.31	10.57	2.32
	35	5.16	1.46	6.71	1.83	7.89	2.26	8.79	2.33	9.69	2.40	10.37	2.41
	40	4.83	1.58	6.38	1.95	7.56	2.40	8.46	2.47	9.36	2.54	10.04	2.55
	43	4.62	1.65	6.18	2.03	7.36	2.49	8.26	2.56	9.15	2.63	9.84	2.64
	46	4.42	1.73	5.98	2.10	7.16	2.57	8.16	2.64	9.07	2.71	9.76	2.73
5+9+18	22	6.17	1.11	7.72	1.46	8.90	1.82	9.80	1.89	10.70	1.96	11.38	1.97
	25	5.83	1.21	7.38	1.59	8.57	1.97	9.46	2.04	10.36	2.11	11.04	2.12
	32	5.36	1.38	6.92	1.76	8.10	2.17	8.99	2.24	9.89	2.31	10.57	2.32
	35	5.16	1.46	6.71	1.83	7.89	2.26	8.79	2.33	9.69	2.40	10.37	2.41
	40	4.83	1.58	6.38	1.95	7.56	2.40	8.46	2.47	9.36	2.54	10.04	2.55
	43	4.62	1.65	6.18	2.03	7.36	2.49	8.26	2.56	9.15	2.63	9.84	2.64
	46	4.42	1.73	5.98	2.10	7.16	2.57	8.16	2.64	9.07	2.71	9.76	2.73
7+7+18	22	6.17	1.11	7.72	1.46	8.90	1.82	9.80	1.89	10.70	1.96	11.38	1.97
	25	5.83	1.21	7.38	1.59	8.57	1.97	9.46	2.04	10.36	2.11	11.04	2.12
	32	5.36	1.38	6.92	1.76	8.10	2.17	8.99	2.24	9.89	2.31	10.57	2.32
	35	5.16	1.46	6.71	1.83	7.89	2.26	8.79	2.33	9.69	2.40	10.37	2.41
	40	4.83	1.58	6.38	1.95	7.56	2.40	8.46	2.47	9.36	2.54	10.04	2.55
	43	4.62	1.65	6.18	2.03	7.36	2.49	8.26	2.56	9.15	2.63	9.84	2.64
	46	4.42	1.73	5.98	2.10	7.16	2.57	8.16	2.64	9.07	2.71	9.76	2.73
9+9+15	22	6.17	1.11	7.72	1.46	8.90	1.82	9.80	1.89	10.70	1.96	11.38	1.97
	25	5.83	1.21	7.38	1.59	8.57	1.97	9.46	2.04	10.36	2.11	11.04	2.12
	32	5.36	1.38	6.92	1.76	8.10	2.17	8.99	2.24	9.89	2.31	10.57	2.32
	35	5.16	1.46	6.71	1.83	7.89	2.26	8.79	2.33	9.69	2.40	10.37	2.41
	40	4.83	1.58	6.38	1.95	7.56	2.40	8.46	2.47	9.36	2.54	10.04	2.55
	43	4.62	1.65	6.18	2.03	7.36	2.49	8.26	2.56	9.15	2.63	9.84	2.64
	46	4.42	1.73	5.98	2.10	7.16	2.57	8.16	2.64	9.07	2.71	9.76	2.73
9+12+12	22	6.17	1.11	7.72	1.46	8.90	1.82	9.80	1.89	10.70	1.96	11.38	1.97
	25	5.83	1.21	7.38	1.59	8.57	1.97	9.46	2.04	10.36	2.11	11.04	2.12
	32	5.36	1.38	6.92	1.76	8.10	2.17	8.99	2.24	9.89	2.31	10.57	2.32
	35	5.16	1.46	6.71	1.83	7.89	2.26	8.79	2.33	9.69	2.40	10.37	2.41
	40	4.83	1.58	6.38	1.95	7.56	2.40	8.46	2.47	9.36	2.54	10.04	2.55
	43	4.62	1.65	6.18	2.03	7.36	2.49	8.26	2.56	9.15	2.63	9.84	2.64
	46	4.42	1.73	5.98	2.10	7.16	2.57	8.16	2.64	9.07	2.71	9.76	2.73
7+9+18	22	6.17	1.11	7.72	1.46	8.90	1.82	9.80	1.89	10.70	1.96	11.38	1.97
	25	5.83	1.21	7.38	1.59	8.57	1.97	9.46	2.04	10.36	2.11	11.04	2.12
	32	5.36	1.38	6.92	1.76	8.10	2.17	8.99	2.24	9.89	2.31	10.57	2.32
	35	5.16	1.46	6.71	1.83	7.89	2.26	8.79	2.33	9.69	2.40	10.37	2.41
	40	4.83	1.58	6.38	1.95	7.56	2.40	8.46	2.47	9.36	2.54	10.04	2.55
	43	4.62	1.65	6.18	2.03	7.36	2.49	8.26	2.56	9.15	2.63	9.84	2.64
	46	4.42	1.73	5.98	2.10	7.16	2.57	8.16	2.64	9.07	2.71	9.76	2.73
7+12+15	22	6.17	1.11	7.72	1.46	8.90	1.82	9.80	1.89	10.70	1.96	11.38	1.97
	25	5.83	1.21	7.38	1.59	8.57	1.97	9.46	2.04	10.36	2.11	11.04	2.12
	32	5.36	1.38	6.92	1.76	8.10	2.17	8.99	2.24	9.89	2.31	10.57	2.32
	35	5.16	1.46	6.71	1.83	7.89	2.26	8.79	2.33	9.69	2.40	10.37	2.41
	40	4.83	1.58	6.38	1.95	7.56	2.40	8.46	2.47	9.36	2.54	10.04	2.55
	43	4.62	1.65	6.18	2.03	7.36	2.49	8.26	2.56	9.15	2.63	9.84	2.64
	46	4.42	1.73	5.98	2.10	7.16	2.57	8.16	2.64	9.07	2.71	9.76	2.73
5+5+24	22	6.17	1.11	7.72	1.46	8.90	1.82	9.80	1.89	10.70	1.96	11.38	1.97
	25	5.83	1.21	7.38	1.59	8.57	1.97	9.46	2.04	10.36	2.11	11.04	2.12
	32	5.36	1.38	6.92	1.76	8.10	2.17	8.99	2.24	9.89	2.31	10.57	2.32
	35	5.16	1.46	6.71	1.83	7.89	2.26	8.79	2.33	9.69	2.40	10.37	2.41
	40	4.83	1.58	6.38	1.95	7.56	2.40	8.46	2.47	9.36	2.54	10.04	2.55
	43	4.62	1.65	6.18	2.03	7.36	2.49	8.26	2.56	9.15	2.63	9.84	2.64
	46	4.42	1.73	5.98	2.10	7.16	2.57	8.16	2.64	9.07	2.71	9.76	2.73
5+12+18	22	6.17	1.11	7.72	1.46	8.90	1.82	9.80	1.89	10.70	1.96	11.38	1.97
	25	5.83	1.21	7.38	1.59	8.57	1.97	9.46	2.04	10.36	2.11	11.04	2.12
	32	5.36	1.38	6.92	1.76	8.10	2.17	8.99	2.24	9.89	2.31	10.57	2.32
	35	5.16	1.46	6.71	1.83	7.89	2.26	8.79	2.33	9.69	2.40	10.37	2.41
	40	4.83	1.58	6.38	1.95	7.56	2.40	8.46	2.47	9.36	2.54	10.04	2.55
	43	4.62	1.65	6.18	2.03	7.36	2.49	8.26	2.56	9.15	2.63	9.84	2.64
	46	4.42	1.73	5.98	2.10	7.16	2.57	8.16	2.64	9.07	2.71	9.76	2.73

5. Capacity tables

Cooling Capacity [-30G-]

Combination capacity index (kBtu/h)	Outdoor Air Temp. (°CDB)	Indoor Air Temp. (°CWB)											
		14		16		18		19		22		24	
		TC	PI	TC	PI	TC	PI	TC	PI	TC	PI	TC	PI
5+15+15	22	6.17	1.11	7.72	1.46	8.90	1.82	9.80	1.89	10.70	1.96	11.38	1.97
	25	5.83	1.21	7.38	1.59	8.57	1.97	9.46	2.04	10.36	2.11	11.04	2.12
	32	5.36	1.38	6.92	1.76	8.10	2.17	8.99	2.24	9.89	2.31	10.57	2.32
	35	5.16	1.46	6.71	1.83	7.89	2.26	8.79	2.33	9.69	2.40	10.37	2.41
	40	4.83	1.58	6.38	1.95	7.56	2.40	8.46	2.47	9.36	2.54	10.04	2.55
	43	4.62	1.65	6.18	2.03	7.36	2.49	8.26	2.56	9.15	2.63	9.84	2.64
	46	4.42	1.73	5.98	2.10	7.16	2.57	8.16	2.64	9.07	2.71	9.76	2.73
5+7+24	22	6.17	1.11	7.72	1.46	8.90	1.82	9.80	1.89	10.70	1.96	11.38	1.97
	25	5.83	1.21	7.38	1.59	8.57	1.97	9.46	2.04	10.36	2.11	11.04	2.12
	32	5.36	1.38	6.92	1.76	8.10	2.17	8.99	2.24	9.89	2.31	10.57	2.32
	35	5.16	1.46	6.71	1.83	7.89	2.26	8.79	2.33	9.69	2.40	10.37	2.41
	40	4.83	1.58	6.38	1.95	7.56	2.40	8.46	2.47	9.36	2.54	10.04	2.55
	43	4.62	1.65	6.18	2.03	7.36	2.49	8.26	2.56	9.15	2.63	9.84	2.64
	46	4.42	1.73	5.98	2.10	7.16	2.57	8.16	2.64	9.07	2.71	9.76	2.73
9+12+15	22	6.17	1.11	7.72	1.46	8.90	1.82	9.80	1.89	10.70	1.96	11.38	1.97
	25	5.83	1.21	7.38	1.59	8.57	1.97	9.46	2.04	10.36	2.11	11.04	2.12
	32	5.36	1.38	6.92	1.76	8.10	2.17	8.99	2.24	9.89	2.31	10.57	2.32
	35	5.16	1.46	6.71	1.83	7.89	2.26	8.79	2.33	9.69	2.40	10.37	2.41
	40	4.83	1.58	6.38	1.95	7.56	2.40	8.46	2.47	9.36	2.54	10.04	2.55
	43	4.62	1.65	6.18	2.03	7.36	2.49	8.26	2.56	9.15	2.63	9.84	2.64
	46	4.42	1.73	5.98	2.10	7.16	2.57	8.16	2.64	9.07	2.71	9.76	2.73
12+12+12	22	6.17	1.11	7.72	1.46	8.90	1.82	9.80	1.89	10.70	1.96	11.38	1.97
	25	5.83	1.21	7.38	1.59	8.57	1.97	9.46	2.04	10.36	2.11	11.04	2.12
	32	5.36	1.38	6.92	1.76	8.10	2.17	8.99	2.24	9.89	2.31	10.57	2.32
	35	5.16	1.46	6.71	1.83	7.89	2.26	8.79	2.33	9.69	2.40	10.37	2.41
	40	4.83	1.58	6.38	1.95	7.56	2.40	8.46	2.47	9.36	2.54	10.04	2.55
	43	4.62	1.65	6.18	2.03	7.36	2.49	8.26	2.56	9.15	2.63	9.84	2.64
	46	4.42	1.73	5.98	2.10	7.16	2.57	8.16	2.64	9.07	2.71	9.76	2.73
9+9+18	22	6.17	1.11	7.72	1.46	8.90	1.82	9.80	1.89	10.70	1.96	11.38	1.97
	25	5.83	1.21	7.38	1.59	8.57	1.97	9.46	2.04	10.36	2.11	11.04	2.12
	32	5.36	1.38	6.92	1.76	8.10	2.17	8.99	2.24	9.89	2.31	10.57	2.32
	35	5.16	1.46	6.71	1.83	7.89	2.26	8.79	2.33	9.69	2.40	10.37	2.41
	40	4.83	1.58	6.38	1.95	7.56	2.40	8.46	2.47	9.36	2.54	10.04	2.55
	43	4.62	1.65	6.18	2.03	7.36	2.49	8.26	2.56	9.15	2.63	9.84	2.64
	46	4.42	1.73	5.98	2.10	7.16	2.57	8.16	2.64	9.07	2.71	9.76	2.73
7+12+18	22	6.17	1.11	7.72	1.46	8.90	1.82	9.80	1.89	10.70	1.96	11.38	1.97
	25	5.83	1.21	7.38	1.59	8.57	1.97	9.46	2.04	10.36	2.11	11.04	2.12
	32	5.36	1.38	6.92	1.76	8.10	2.17	8.99	2.24	9.89	2.31	10.57	2.32
	35	5.16	1.46	6.71	1.83	7.89	2.26	8.79	2.33	9.69	2.40	10.37	2.41
	40	4.83	1.58	6.38	1.95	7.56	2.40	8.46	2.47	9.36	2.54	10.04	2.55
	43	4.62	1.65	6.18	2.03	7.36	2.49	8.26	2.56	9.15	2.63	9.84	2.64
	46	4.42	1.73	5.98	2.10	7.16	2.57	8.16	2.64	9.07	2.71	9.76	2.73
7+15+15	22	6.17	1.11	7.72	1.46	8.90	1.82	9.80	1.89	10.70	1.96	11.38	1.97
	25	5.83	1.21	7.38	1.59	8.57	1.97	9.46	2.04	10.36	2.11	11.04	2.12
	32	5.36	1.38	6.92	1.76	8.10	2.17	8.99	2.24	9.89	2.31	10.57	2.32
	35	5.16	1.46	6.71	1.83	7.89	2.26	8.79	2.33	9.69	2.40	10.37	2.41
	40	4.83	1.58	6.38	1.95	7.56	2.40	8.46	2.47	9.36	2.54	10.04	2.55
	43	4.62	1.65	6.18	2.03	7.36	2.49	8.26	2.56	9.15	2.63	9.84	2.64
	46	4.42	1.73	5.98	2.10	7.16	2.57	8.16	2.64	9.07	2.71	9.76	2.73
5+9+24	22	6.17	1.11	7.72	1.46	8.90	1.82	9.80	1.89	10.70	1.96	11.38	1.97
	25	5.83	1.21	7.38	1.59	8.57	1.97	9.46	2.04	10.36	2.11	11.04	2.12
	32	5.36	1.38	6.92	1.76	8.10	2.17	8.99	2.24	9.89	2.31	10.57	2.32
	35	5.16	1.46	6.71	1.83	7.89	2.26	8.79	2.33	9.69	2.40	10.37	2.41
	40	4.83	1.58	6.38	1.95	7.56	2.40	8.46	2.47	9.36	2.54	10.04	2.55
	43	4.62	1.65	6.18	2.03	7.36	2.49	8.26	2.56	9.15	2.63	9.84	2.64
	46	4.42	1.73	5.98	2.10	7.16	2.57	8.16	2.64	9.07	2.71	9.76	2.73
5+15+18	22	6.17	1.11	7.72	1.46	8.90	1.82	9.80	1.89	10.70	1.96	11.38	1.97
	25	5.83	1.21	7.38	1.59	8.57	1.97	9.46	2.04	10.36	2.11	11.04	2.12
	32	5.36	1.38	6.92	1.76	8.10	2.17	8.99	2.24	9.89	2.31	10.57	2.32
	35	5.16	1.46	6.71	1.83	7.89	2.26	8.79	2.33	9.69	2.40	10.37	2.41
	40	4.83	1.58	6.38	1.95	7.56	2.40	8.46	2.47	9.36	2.54	10.04	2.55
	43	4.62	1.65	6.18	2.03	7.36	2.49	8.26	2.56	9.15	2.63	9.84	2.64
	46	4.42	1.73	5.98	2.10	7.16	2.57	8.16	2.64	9.07	2.71	9.76	2.73
7+7+24	22	6.17	1.11	7.72	1.46	8.90	1.82	9.80	1.89	10.70	1.96	11.38	1.97
	25	5.83	1.21	7.38	1.59	8.57	1.97	9.46	2.04	10.36	2.11	11.04	2.12
	32	5.36	1.38	6.92	1.76	8.10	2.17	8.99	2.24	9.89	2.31	10.57	2.32
	35	5.16	1.46	6.71	1.83	7.89	2.26	8.79	2.33	9.69	2.40	10.37	2.41
	40	4.83	1.58	6.38	1.95	7.56	2.40	8.46	2.47	9.36	2.54	10.04	2.55
	43	4.62	1.65	6.18	2.03	7.36	2.49	8.26	2.56	9.15	2.63	9.84	2.64
	46	4.42	1.73	5.98	2.10	7.16	2.57	8.16	2.64	9.07	2.71	9.76	2.73

5. Capacity tables

Cooling Capacity [-30G-]

Combination capacity index (kBtu/h)	Outdoor Air Temp. (°CDB)	Indoor Air Temp. (°CWB)											
		14		16		18		19		22		24	
		TC	PI	TC	PI	TC	PI	TC	PI	TC	PI	TC	PI
9+12+18	22	6.17	1.11	7.72	1.46	8.90	1.82	9.80	1.89	10.70	1.96	11.38	1.97
	25	5.83	1.21	7.38	1.59	8.57	1.97	9.46	2.04	10.36	2.11	11.04	2.12
	32	5.36	1.38	6.92	1.76	8.10	2.17	8.99	2.24	9.89	2.31	10.57	2.32
	35	5.16	1.46	6.71	1.83	7.89	2.26	8.79	2.33	9.69	2.40	10.37	2.41
	40	4.83	1.58	6.38	1.95	7.56	2.40	8.46	2.47	9.36	2.54	10.04	2.55
	43	4.62	1.65	6.18	2.03	7.36	2.49	8.26	2.56	9.15	2.63	9.84	2.64
	46	4.42	1.73	5.98	2.10	7.16	2.57	8.16	2.64	9.07	2.71	9.76	2.73
9+15+15	22	6.17	1.11	7.72	1.46	8.90	1.82	9.80	1.89	10.70	1.96	11.38	1.97
	25	5.83	1.21	7.38	1.59	8.57	1.97	9.46	2.04	10.36	2.11	11.04	2.12
	32	5.36	1.38	6.92	1.76	8.10	2.17	8.99	2.24	9.89	2.31	10.57	2.32
	35	5.16	1.46	6.71	1.83	7.89	2.26	8.79	2.33	9.69	2.40	10.37	2.41
	40	4.83	1.58	6.38	1.95	7.56	2.40	8.46	2.47	9.36	2.54	10.04	2.55
	43	4.62	1.65	6.18	2.03	7.36	2.49	8.26	2.56	9.15	2.63	9.84	2.64
	46	4.42	1.73	5.98	2.10	7.16	2.57	8.16	2.64	9.07	2.71	9.76	2.73
12+12+15	22	6.17	1.11	7.72	1.46	8.90	1.82	9.80	1.89	10.70	1.96	11.38	1.97
	25	5.83	1.21	7.38	1.59	8.57	1.97	9.46	2.04	10.36	2.11	11.04	2.12
	32	5.36	1.38	6.92	1.76	8.10	2.17	8.99	2.24	9.89	2.31	10.57	2.32
	35	5.16	1.46	6.71	1.83	7.89	2.26	8.79	2.33	9.69	2.40	10.37	2.41
	40	4.83	1.58	6.38	1.95	7.56	2.40	8.46	2.47	9.36	2.54	10.04	2.55
	43	4.62	1.65	6.18	2.03	7.36	2.49	8.26	2.56	9.15	2.63	9.84	2.64
	46	4.42	1.73	5.98	2.10	7.16	2.57	8.16	2.64	9.07	2.71	9.76	2.73
7+9+24	22	6.17	1.11	7.72	1.46	8.90	1.82	9.80	1.89	10.70	1.96	11.38	1.97
	25	5.83	1.21	7.38	1.59	8.57	1.97	9.46	2.04	10.36	2.11	11.04	2.12
	32	5.36	1.38	6.92	1.76	8.10	2.17	8.99	2.24	9.89	2.31	10.57	2.32
	35	5.16	1.46	6.71	1.83	7.89	2.26	8.79	2.33	9.69	2.40	10.37	2.41
	40	4.83	1.58	6.38	1.95	7.56	2.40	8.46	2.47	9.36	2.54	10.04	2.55
	43	4.62	1.65	6.18	2.03	7.36	2.49	8.26	2.56	9.15	2.63	9.84	2.64
	46	4.42	1.73	5.98	2.10	7.16	2.57	8.16	2.64	9.07	2.71	9.76	2.73
7+15+18	22	6.17	1.11	7.72	1.46	8.90	1.82	9.80	1.89	10.70	1.96	11.38	1.97
	25	5.83	1.21	7.38	1.59	8.57	1.97	9.46	2.04	10.36	2.11	11.04	2.12
	32	5.36	1.38	6.92	1.76	8.10	2.17	8.99	2.24	9.89	2.31	10.57	2.32
	35	5.16	1.46	6.71	1.83	7.89	2.26	8.79	2.33	9.69	2.40	10.37	2.41
	40	4.83	1.58	6.38	1.95	7.56	2.40	8.46	2.47	9.36	2.54	10.04	2.55
	43	4.62	1.65	6.18	2.03	7.36	2.49	8.26	2.56	9.15	2.63	9.84	2.64
	46	4.42	1.73	5.98	2.10	7.16	2.57	8.16	2.64	9.07	2.71	9.76	2.73
5+12+24	22	6.17	1.11	7.72	1.46	8.90	1.82	9.80	1.89	10.70	1.96	11.38	1.97
	25	5.83	1.21	7.38	1.59	8.57	1.97	9.46	2.04	10.36	2.11	11.04	2.12
	32	5.36	1.38	6.92	1.76	8.10	2.17	8.99	2.24	9.89	2.31	10.57	2.32
	35	5.16	1.46	6.71	1.83	7.89	2.26	8.79	2.33	9.69	2.40	10.37	2.41
	40	4.83	1.58	6.38	1.95	7.56	2.40	8.46	2.47	9.36	2.54	10.04	2.55
	43	4.62	1.65	6.18	2.03	7.36	2.49	8.26	2.56	9.15	2.63	9.84	2.64
	46	4.42	1.73	5.98	2.10	7.16	2.57	8.16	2.64	9.07	2.71	9.76	2.73
5+18+18	22	6.17	1.11	7.72	1.46	8.90	1.82	9.80	1.89	10.70	1.96	11.38	1.97
	25	5.83	1.21	7.38	1.59	8.57	1.97	9.46	2.04	10.36	2.11	11.04	2.12
	32	5.36	1.38	6.92	1.76	8.10	2.17	8.99	2.24	9.89	2.31	10.57	2.32
	35	5.16	1.46	6.71	1.83	7.89	2.26	8.79	2.33	9.69	2.40	10.37	2.41
	40	4.83	1.58	6.38	1.95	7.56	2.40	8.46	2.47	9.36	2.54	10.04	2.55
	43	4.62	1.65	6.18	2.03	7.36	2.49	8.26	2.56	9.15	2.63	9.84	2.64
	46	4.42	1.73	5.98	2.10	7.16	2.57	8.16	2.64	9.07	2.71	9.76	2.73
12+12+18	22	6.17	1.11	7.72	1.46	8.90	1.82	9.80	1.89	10.70	1.96	11.38	1.97
	25	5.83	1.21	7.38	1.59	8.57	1.97	9.46	2.04	10.36	2.11	11.04	2.12
	32	5.36	1.38	6.92	1.76	8.10	2.17	8.99	2.24	9.89	2.31	10.57	2.32
	35	5.16	1.46	6.71	1.83	7.89	2.26	8.79	2.33	9.69	2.40	10.37	2.41
	40	4.83	1.58	6.38	1.95	7.56	2.40	8.46	2.47	9.36	2.54	10.04	2.55
	43	4.62	1.65	6.18	2.03	7.36	2.49	8.26	2.56	9.15	2.63	9.84	2.64
	46	4.42	1.73	5.98	2.10	7.16	2.57	8.16	2.64	9.07	2.71	9.76	2.73
9+9+24	22	6.17	1.11	7.72	1.46	8.90	1.82	9.80	1.89	10.70	1.96	11.38	1.97
	25	5.83	1.21	7.38	1.59	8.57	1.97	9.46	2.04	10.36	2.11	11.04	2.12
	32	5.36	1.38	6.92	1.76	8.10	2.17	8.99	2.24	9.89	2.31	10.57	2.32
	35	5.16	1.46	6.71	1.83	7.89	2.26	8.79	2.33	9.69	2.40	10.37	2.41
	40	4.83	1.58	6.38	1.95	7.56	2.40	8.46	2.47	9.36	2.54	10.04	2.55
	43	4.62	1.65	6.18	2.03	7.36	2.49	8.26	2.56	9.15	2.63	9.84	2.64
	46	4.42	1.73	5.98	2.10	7.16	2.57	8.16	2.64	9.07	2.71	9.76	2.73
9+15+18	22	6.17	1.11	7.72	1.46	8.90	1.82	9.80	1.89	10.70	1.96	11.38	1.97
	25	5.83	1.21	7.38	1.59	8.57	1.97	9.46	2.04	10.36	2.11	11.04	2.12
	32	5.36	1.38	6.92	1.76	8.10	2.17	8.99	2.24	9.89	2.31	10.57	2.32
	35	5.16	1.46	6.71	1.83	7.89	2.26	8.79	2.33	9.69	2.40	10.37	2.41
	40	4.83	1.58	6.38	1.95	7.56	2.40	8.46	2.47	9.36	2.54	10.04	2.55
	43	4.62	1.65	6.18	2.03	7.36	2.49	8.26	2.56	9.15	2.63	9.84	2.64
	46	4.42	1.73	5.98	2.10	7.16	2.57	8.16	2.64	9.07	2.71	9.76	2.73

5. Capacity tables

Cooling Capacity [-30G-]

Combination capacity index (kBtu/h)	Outdoor Air Temp. (°CDB)	Indoor Air Temp. (°CWB)											
		14		16		18		19		22		24	
		TC	PI	TC	PI	TC	PI	TC	PI	TC	PI	TC	PI
12+15+15	22	6.17	1.11	7.72	1.46	8.90	1.82	9.80	1.89	10.70	1.96	11.38	1.97
	25	5.83	1.21	7.38	1.59	8.57	1.97	9.46	2.04	10.36	2.11	11.04	2.12
	32	5.36	1.38	6.92	1.76	8.10	2.17	8.99	2.24	9.89	2.31	10.57	2.32
	35	5.16	1.46	6.71	1.83	7.89	2.26	8.79	2.33	9.69	2.40	10.37	2.41
	40	4.83	1.58	6.38	1.95	7.56	2.40	8.46	2.47	9.36	2.54	10.04	2.55
	43	4.62	1.65	6.18	2.03	7.36	2.49	8.26	2.56	9.15	2.63	9.84	2.64
	46	4.42	1.73	5.98	2.10	7.16	2.57	8.16	2.64	9.07	2.71	9.76	2.73
7+18+18	22	6.17	1.11	7.72	1.46	8.90	1.82	9.80	1.89	10.70	1.96	11.38	1.97
	25	5.83	1.21	7.38	1.59	8.57	1.97	9.46	2.04	10.36	2.11	11.04	2.12
	32	5.36	1.38	6.92	1.76	8.10	2.17	8.99	2.24	9.89	2.31	10.57	2.32
	35	5.16	1.46	6.71	1.83	7.89	2.26	8.79	2.33	9.69	2.40	10.37	2.41
	40	4.83	1.58	6.38	1.95	7.56	2.40	8.46	2.47	9.36	2.54	10.04	2.55
	43	4.62	1.65	6.18	2.03	7.36	2.49	8.26	2.56	9.15	2.63	9.84	2.64
	46	4.42	1.73	5.98	2.10	7.16	2.57	8.16	2.64	9.07	2.71	9.76	2.73
7+12+24	22	6.17	1.11	7.72	1.46	8.90	1.82	9.80	1.89	10.70	1.96	11.38	1.97
	25	5.83	1.21	7.38	1.59	8.57	1.97	9.46	2.04	10.36	2.11	11.04	2.12
	32	5.36	1.38	6.92	1.76	8.10	2.17	8.99	2.24	9.89	2.31	10.57	2.32
	35	5.16	1.46	6.71	1.83	7.89	2.26	8.79	2.33	9.69	2.40	10.37	2.41
	40	4.83	1.58	6.38	1.95	7.56	2.40	8.46	2.47	9.36	2.54	10.04	2.55
	43	4.62	1.65	6.18	2.03	7.36	2.49	8.26	2.56	9.15	2.63	9.84	2.64
	46	4.42	1.73	5.98	2.10	7.16	2.57	8.16	2.64	9.07	2.71	9.76	2.73
5+15+24	22	6.17	1.11	7.72	1.46	8.90	1.82	9.80	1.89	10.70	1.96	11.38	1.97
	25	5.83	1.21	7.38	1.59	8.57	1.97	9.46	2.04	10.36	2.11	11.04	2.12
	32	5.36	1.38	6.92	1.76	8.10	2.17	8.99	2.24	9.89	2.31	10.57	2.32
	35	5.16	1.46	6.71	1.83	7.89	2.26	8.79	2.33	9.69	2.40	10.37	2.41
	40	4.83	1.58	6.38	1.95	7.56	2.40	8.46	2.47	9.36	2.54	10.04	2.55
	43	4.62	1.65	6.18	2.03	7.36	2.49	8.26	2.56	9.15	2.63	9.84	2.64
	46	4.42	1.73	5.98	2.10	7.16	2.57	8.16	2.64	9.07	2.71	9.76	2.73
9+18+18	22	6.17	1.11	7.72	1.46	8.90	1.82	9.80	1.89	10.70	1.96	11.38	1.97
	25	5.83	1.21	7.38	1.59	8.57	1.97	9.46	2.04	10.36	2.11	11.04	2.12
	32	5.36	1.38	6.92	1.76	8.10	2.17	8.99	2.24	9.89	2.31	10.57	2.32
	35	5.16	1.46	6.71	1.83	7.89	2.26	8.79	2.33	9.69	2.40	10.37	2.41
	40	4.83	1.58	6.38	1.95	7.56	2.40	8.46	2.47	9.36	2.54	10.04	2.55
	43	4.62	1.65	6.18	2.03	7.36	2.49	8.26	2.56	9.15	2.63	9.84	2.64
	46	4.42	1.73	5.98	2.10	7.16	2.57	8.16	2.64	9.07	2.71	9.76	2.73
9+12+24	22	6.17	1.11	7.72	1.46	8.90	1.82	9.80	1.89	10.70	1.96	11.38	1.97
	25	5.83	1.21	7.38	1.59	8.57	1.97	9.46	2.04	10.36	2.11	11.04	2.12
	32	5.36	1.38	6.92	1.76	8.10	2.17	8.99	2.24	9.89	2.31	10.57	2.32
	35	5.16	1.46	6.71	1.83	7.89	2.26	8.79	2.33	9.69	2.40	10.37	2.41
	40	4.83	1.58	6.38	1.95	7.56	2.40	8.46	2.47	9.36	2.54	10.04	2.55
	43	4.62	1.65	6.18	2.03	7.36	2.49	8.26	2.56	9.15	2.63	9.84	2.64
	46	4.42	1.73	5.98	2.10	7.16	2.57	8.16	2.64	9.07	2.71	9.76	2.73
12+15+18	22	6.17	1.11	7.72	1.46	8.90	1.82	9.80	1.89	10.70	1.96	11.38	1.97
	25	5.83	1.21	7.38	1.59	8.57	1.97	9.46	2.04	10.36	2.11	11.04	2.12
	32	5.36	1.38	6.92	1.76	8.10	2.17	8.99	2.24	9.89	2.31	10.57	2.32
	35	5.16	1.46	6.71	1.83	7.89	2.26	8.79	2.33	9.69	2.40	10.37	2.41
	40	4.83	1.58	6.38	1.95	7.56	2.40	8.46	2.47	9.36	2.54	10.04	2.55
	43	4.62	1.65	6.18	2.03	7.36	2.49	8.26	2.56	9.15	2.63	9.84	2.64
	46	4.42	1.73	5.98	2.10	7.16	2.57	8.16	2.64	9.07	2.71	9.76	2.73
15+15+15	22	6.17	1.11	7.72	1.46	8.90	1.82	9.80	1.89	10.70	1.96	11.38	1.97
	25	5.83	1.21	7.38	1.59	8.57	1.97	9.46	2.04	10.36	2.11	11.04	2.12
	32	5.36	1.38	6.92	1.76	8.10	2.17	8.99	2.24	9.89	2.31	10.57	2.32
	35	5.16	1.46	6.71	1.83	7.89	2.26	8.79	2.33	9.69	2.40	10.37	2.41
	40	4.83	1.58	6.38	1.95	7.56	2.40	8.46	2.47	9.36	2.54	10.04	2.55
	43	4.62	1.65	6.18	2.03	7.36	2.49	8.26	2.56	9.15	2.63	9.84	2.64
	46	4.42	1.73	5.98	2.10	7.16	2.57	8.16	2.64	9.07	2.71	9.76	2.73
7+15+24	22	6.17	1.11	7.72	1.46	8.90	1.82	9.80	1.89	10.70	1.96	11.38	1.97
	25	5.83	1.21	7.38	1.59	8.57	1.97	9.46	2.04	10.36	2.11	11.04	2.12
	32	5.36	1.38	6.92	1.76	8.10	2.17	8.99	2.24	9.89	2.31	10.57	2.32
	35	5.16	1.46	6.71	1.83	7.89	2.26	8.79	2.33	9.69	2.40	10.37	2.41
	40	4.83	1.58	6.38	1.95	7.56	2.40	8.46	2.47	9.36	2.54	10.04	2.55
	43	4.62	1.65	6.18	2.03	7.36	2.49	8.26	2.56	9.15	2.63	9.84	2.64
	46	4.42	1.73	5.98	2.10	7.16	2.57	8.16	2.64	9.07	2.71	9.76	2.73
5+18+24	22	6.17	1.11	7.72	1.46	8.90	1.82	9.80	1.89	10.70	1.96	11.38	1.97
	25	5.83	1.21	7.38	1.59	8.57	1.97	9.46	2.04	10.36	2.11	11.04	2.12
	32	5.36	1.38	6.92	1.76	8.10	2.17	8.99	2.24	9.89	2.31	10.57	2.32
	35	5.16	1.46	6.71	1.83	7.89	2.26	8.79	2.33	9.69	2.40	10.37	2.41
	40	4.83	1.58	6.38	1.95	7.56	2.40	8.46	2.47	9.36	2.54	10.04	2.55
	43	4.62	1.65	6.18	2.03	7.36	2.49	8.26	2.56	9.15	2.63	9.84	2.64
	46	4.42	1.73	5.98	2.10	7.16	2.57	8.16	2.64	9.07	2.71	9.76	2.73

5. Capacity tables

Cooling Capacity [-30G-]

Combination capacity index (kBTu/h)	Outdoor Air Temp. (°CDB)	Indoor Air Temp. (°CWB)											
		14		16		18		19		22		24	
		TC	PI	TC	PI	TC	PI	TC	PI	TC	PI	TC	PI
9+15+24	22	6.17	1.11	7.72	1.46	8.90	1.82	9.80	1.89	10.70	1.96	11.38	1.97
	25	5.83	1.21	7.38	1.59	8.57	1.97	9.46	2.04	10.36	2.11	11.04	2.12
	32	5.36	1.38	6.92	1.76	8.10	2.17	8.99	2.24	9.89	2.31	10.57	2.32
	35	5.16	1.46	6.71	1.83	7.89	2.26	8.79	2.33	9.69	2.40	10.37	2.41
	40	4.83	1.58	6.38	1.95	7.56	2.40	8.46	2.47	9.36	2.54	10.04	2.55
	43	4.62	1.65	6.18	2.03	7.36	2.49	8.26	2.56	9.15	2.63	9.84	2.64
	46	4.42	1.73	5.98	2.10	7.16	2.57	8.16	2.64	9.07	2.71	9.76	2.73
12+18+18	22	6.17	1.11	7.72	1.46	8.90	1.82	9.80	1.89	10.70	1.96	11.38	1.97
	25	5.83	1.21	7.38	1.59	8.57	1.97	9.46	2.04	10.36	2.11	11.04	2.12
	32	5.36	1.38	6.92	1.76	8.10	2.17	8.99	2.24	9.89	2.31	10.57	2.32
	35	5.16	1.46	6.71	1.83	7.89	2.26	8.79	2.33	9.69	2.40	10.37	2.41
	40	4.83	1.58	6.38	1.95	7.56	2.40	8.46	2.47	9.36	2.54	10.04	2.55
	43	4.62	1.65	6.18	2.03	7.36	2.49	8.26	2.56	9.15	2.63	9.84	2.64
	46	4.42	1.73	5.98	2.10	7.16	2.57	8.16	2.64	9.07	2.71	9.76	2.73
12+12+24	22	6.17	1.11	7.72	1.46	8.90	1.82	9.80	1.89	10.70	1.96	11.38	1.97
	25	5.83	1.21	7.38	1.59	8.57	1.97	9.46	2.04	10.36	2.11	11.04	2.12
	32	5.36	1.38	6.92	1.76	8.10	2.17	8.99	2.24	9.89	2.31	10.57	2.32
	35	5.16	1.46	6.71	1.83	7.89	2.26	8.79	2.33	9.69	2.40	10.37	2.41
	40	4.83	1.58	6.38	1.95	7.56	2.40	8.46	2.47	9.36	2.54	10.04	2.55
	43	4.62	1.65	6.18	2.03	7.36	2.49	8.26	2.56	9.15	2.63	9.84	2.64
	46	4.42	1.73	5.98	2.10	7.16	2.57	8.16	2.64	9.07	2.71	9.76	2.73
15+15+18	22	6.17	1.11	7.72	1.46	8.90	1.82	9.80	1.89	10.70	1.96	11.38	1.97
	25	5.83	1.21	7.38	1.59	8.57	1.97	9.46	2.04	10.36	2.11	11.04	2.12
	32	5.36	1.38	6.92	1.76	8.10	2.17	8.99	2.24	9.89	2.31	10.57	2.32
	35	5.16	1.46	6.71	1.83	7.89	2.26	8.79	2.33	9.69	2.40	10.37	2.41
	40	4.83	1.58	6.38	1.95	7.56	2.40	8.46	2.47	9.36	2.54	10.04	2.55
	43	4.62	1.65	6.18	2.03	7.36	2.49	8.26	2.56	9.15	2.63	9.84	2.64
	46	4.42	1.73	5.98	2.10	7.16	2.57	8.16	2.64	9.07	2.71	9.76	2.73
4 Units Operation													
5+5+5+5	22	4.11	0.57	5.15	0.76	5.93	0.94	6.53	0.98	7.13	1.01	7.59	1.02
	25	3.89	0.63	4.92	0.82	5.71	1.02	6.31	1.05	6.91	1.09	7.36	1.10
	32	3.57	0.72	4.61	0.91	5.40	1.12	6.00	1.16	6.59	1.19	7.05	1.20
	35	3.44	0.75	4.48	0.95	5.26	1.17	5.86	1.20	6.46	1.24	6.92	1.25
	40	3.22	0.82	4.25	1.01	5.04	1.24	5.64	1.28	6.24	1.31	6.69	1.32
	43	3.08	0.85	4.12	1.05	4.91	1.29	5.50	1.32	6.10	1.36	6.56	1.37
	46	2.95	0.89	3.98	1.08	4.77	1.33	5.44	1.37	6.04	1.40	6.50	1.41
5+5+5+7	22	4.52	0.63	5.66	0.83	6.53	1.03	7.19	1.07	7.84	1.11	8.34	1.12
	25	4.28	0.69	5.42	0.90	6.28	1.11	6.94	1.15	7.60	1.19	8.10	1.20
	32	3.93	0.78	5.07	1.00	5.94	1.23	6.60	1.27	7.25	1.31	7.75	1.32
	35	3.78	0.83	4.92	1.04	5.79	1.28	6.45	1.32	7.11	1.36	7.61	1.36
	40	3.54	0.89	4.68	1.11	5.54	1.36	6.20	1.40	6.86	1.44	7.36	1.45
	43	3.39	0.94	4.53	1.15	5.40	1.41	6.05	1.45	6.71	1.49	7.21	1.50
	46	3.24	0.98	4.38	1.19	5.25	1.46	5.98	1.50	6.65	1.54	7.15	1.55
5+5+5+9	22	4.93	0.69	6.18	0.92	7.12	1.14	7.84	1.19	8.56	1.23	9.10	1.24
	25	4.67	0.76	5.91	0.99	6.85	1.23	7.57	1.28	8.29	1.32	8.83	1.33
	32	4.29	0.87	5.53	1.10	6.48	1.36	7.19	1.40	7.91	1.45	8.46	1.46
	35	4.13	0.91	5.37	1.15	6.32	1.41	7.03	1.46	7.75	1.50	8.30	1.51
	40	3.86	0.99	5.10	1.22	6.05	1.51	6.77	1.55	7.48	1.59	8.03	1.60
	43	3.70	1.04	4.94	1.27	5.89	1.56	6.60	1.60	7.32	1.65	7.87	1.66
	46	3.54	1.08	4.78	1.32	5.73	1.61	6.52	1.66	7.25	1.70	7.81	1.71
5+5+7+7	22	4.93	0.69	6.18	0.92	7.12	1.14	7.84	1.19	8.56	1.23	9.10	1.24
	25	4.67	0.76	5.91	0.99	6.85	1.23	7.57	1.28	8.29	1.32	8.83	1.33
	32	4.29	0.87	5.53	1.10	6.48	1.36	7.19	1.40	7.91	1.45	8.46	1.46
	35	4.13	0.91	5.37	1.15	6.32	1.41	7.03	1.46	7.75	1.50	8.30	1.51
	40	3.86	0.99	5.10	1.22	6.05	1.51	6.77	1.55	7.48	1.59	8.03	1.60
	43	3.70	1.04	4.94	1.27	5.89	1.56	6.60	1.60	7.32	1.65	7.87	1.66
	46	3.54	1.08	4.78	1.32	5.73	1.61	6.52	1.66	7.25	1.70	7.81	1.71
5+5+7+9	22	5.34	0.80	6.69	1.06	7.71	1.31	8.49	1.37	9.27	1.42	9.86	1.43
	25	5.05	0.88	6.40	1.14	7.42	1.42	8.20	1.47	8.98	1.52	9.57	1.53
	32	4.65	1.00	5.99	1.27	7.02	1.57	7.79	1.62	8.57	1.67	9.16	1.68
	35	4.47	1.05	5.82	1.32	6.84	1.63	7.62	1.68	8.40	1.73	8.99	1.74
	40	4.18	1.14	5.53	1.41	6.55	1.73	7.33	1.78	8.11	1.83	8.70	1.84
	43	4.01	1.19	5.35	1.46	6.38	1.80	7.16	1.85	7.93	1.90	8.52	1.91
	46	3.83	1.25	5.18	1.51	6.20	1.86	7.07	1.91	7.86	1.96	8.46	1.97
5+7+7+7	22	5.34	0.80	6.69	1.06	7.71	1.31	8.49	1.37	9.27	1.42	9.86	1.43
	25	5.05	0.88	6.40	1.14	7.42	1.42	8.20	1.47	8.98	1.52	9.57	1.53
	32	4.65	1.00	5.99	1.27	7.02	1.57	7.79	1.62	8.57	1.67	9.16	1.68
	35	4.47	1.05	5.82	1.32	6.84	1.63	7.62	1.68	8.40	1.73	8.99	1.74
	40	4.18	1.14	5.53	1.41	6.55	1.73	7.33	1.78	8.11	1.83	8.70	1.84
	43	4.01	1.19	5.35	1.46	6.38	1.80	7.16	1.85	7.93	1.90	8.52	1.91
	46	3.83	1.25	5.18	1.51	6.20	1.86	7.07	1.91	7.86	1.96	8.46	1.97

5. Capacity tables

Cooling Capacity [-30G-]

Combination capacity index (kBTu/h)	Outdoor Air Temp. (°CDB)	Indoor Air Temp. (°CWB)											
		14		16		18		19		22		24	
		TC	PI	TC	PI	TC	PI	TC	PI	TC	PI	TC	PI
5+5+5+12	22	5.55	0.85	6.95	1.13	8.01	1.41	8.82	1.46	9.63	1.51	10.24	1.52
	25	5.25	0.94	6.65	1.22	7.71	1.52	8.52	1.57	9.32	1.63	9.94	1.64
	32	4.83	1.07	6.22	1.36	7.29	1.67	8.09	1.73	8.90	1.78	9.52	1.79
	35	4.65	1.13	6.04	1.41	7.11	1.74	7.91	1.80	8.72	1.85	9.34	1.86
	40	4.34	1.22	5.74	1.51	6.80	1.85	7.61	1.91	8.42	1.96	9.03	1.97
	43	4.16	1.28	5.56	1.56	6.62	1.92	7.43	1.97	8.24	2.03	8.85	2.04
	46	3.98	1.33	5.38	1.62	6.44	1.99	7.34	2.04	8.16	2.10	8.78	2.11
5+5+9+9	22	5.76	0.91	7.21	1.20	8.31	1.49	9.14	1.55	9.98	1.60	10.62	1.62
	25	5.44	0.99	6.89	1.30	7.99	1.61	8.83	1.67	9.67	1.72	10.31	1.73
	32	5.00	1.13	6.45	1.44	7.56	1.77	8.39	1.83	9.23	1.89	9.87	1.90
	35	4.82	1.19	6.27	1.50	7.37	1.85	8.21	1.90	9.04	1.96	9.68	1.97
	40	4.50	1.29	5.95	1.60	7.06	1.96	7.89	2.02	8.73	2.08	9.37	2.09
	43	4.32	1.35	5.77	1.66	6.87	2.04	7.71	2.09	8.54	2.15	9.18	2.16
	46	4.13	1.41	5.58	1.72	6.68	2.11	7.61	2.16	8.46	2.22	9.11	2.23
5+7+7+9	22	5.76	0.91	7.21	1.20	8.31	1.49	9.14	1.55	9.98	1.60	10.62	1.62
	25	5.44	0.99	6.89	1.30	7.99	1.61	8.83	1.67	9.67	1.72	10.31	1.73
	32	5.00	1.13	6.45	1.44	7.56	1.77	8.39	1.83	9.23	1.89	9.87	1.90
	35	4.82	1.19	6.27	1.50	7.37	1.85	8.21	1.90	9.04	1.96	9.68	1.97
	40	4.50	1.29	5.95	1.60	7.06	1.96	7.89	2.02	8.73	2.08	9.37	2.09
	43	4.32	1.35	5.77	1.66	6.87	2.04	7.71	2.09	8.54	2.15	9.18	2.16
	46	4.13	1.41	5.58	1.72	6.68	2.11	7.61	2.16	8.46	2.22	9.11	2.23
7+7+7+7	22	5.76	0.91	7.21	1.20	8.31	1.49	9.14	1.55	9.98	1.60	10.62	1.62
	25	5.44	0.99	6.89	1.30	7.99	1.61	8.83	1.67	9.67	1.72	10.31	1.73
	32	5.00	1.13	6.45	1.44	7.56	1.77	8.39	1.83	9.23	1.89	9.87	1.90
	35	4.82	1.19	6.27	1.50	7.37	1.85	8.21	1.90	9.04	1.96	9.68	1.97
	40	4.50	1.29	5.95	1.60	7.06	1.96	7.89	2.02	8.73	2.08	9.37	2.09
	43	4.32	1.35	5.77	1.66	6.87	2.04	7.71	2.09	8.54	2.15	9.18	2.16
	46	4.13	1.41	5.58	1.72	6.68	2.11	7.61	2.16	8.46	2.22	9.11	2.23
5+5+7+12	22	5.96	0.96	7.46	1.27	8.60	1.58	9.47	1.64	10.34	1.70	11.00	1.71
	25	5.64	1.05	7.14	1.37	8.28	1.70	9.15	1.76	10.02	1.82	10.68	1.84
	32	5.18	1.20	6.68	1.52	7.83	1.88	8.69	1.94	9.56	2.00	10.22	2.01
	35	4.99	1.26	6.49	1.59	7.63	1.95	8.50	2.01	9.37	2.08	10.03	2.09
	40	4.67	1.37	6.17	1.69	7.31	2.08	8.18	2.14	9.04	2.20	9.70	2.21
	43	4.47	1.43	5.97	1.75	7.11	2.16	7.98	2.22	8.85	2.28	9.51	2.29
	46	4.28	1.50	5.78	1.82	6.92	2.23	7.88	2.29	8.76	2.35	9.43	2.36
5+5+5+15	22	6.17	1.01	7.72	1.34	8.90	1.67	9.80	1.73	10.70	1.80	11.38	1.81
	25	5.83	1.11	7.38	1.45	8.57	1.80	9.46	1.87	10.36	1.93	11.04	1.94
	32	5.36	1.27	6.92	1.61	8.10	1.99	8.99	2.05	9.89	2.12	10.57	2.13
	35	5.16	1.34	6.71	1.68	7.89	2.07	8.79	2.13	9.69	2.19	10.37	2.21
	40	4.83	1.45	6.38	1.79	7.56	2.20	8.46	2.26	9.36	2.33	10.04	2.34
	43	4.62	1.51	6.18	1.86	7.36	2.28	8.26	2.34	9.15	2.41	9.84	2.42
	46	4.42	1.58	5.98	1.92	7.16	2.36	8.16	2.42	9.07	2.49	9.76	2.50
5+7+9+9	22	6.17	1.01	7.72	1.34	8.90	1.67	9.80	1.73	10.70	1.80	11.38	1.81
	25	5.83	1.11	7.38	1.45	8.57	1.80	9.46	1.87	10.36	1.93	11.04	1.94
	32	5.36	1.27	6.92	1.61	8.10	1.99	8.99	2.05	9.89	2.12	10.57	2.13
	35	5.16	1.34	6.71	1.68	7.89	2.07	8.79	2.13	9.69	2.19	10.37	2.21
	40	4.83	1.45	6.38	1.79	7.56	2.20	8.46	2.26	9.36	2.33	10.04	2.34
	43	4.62	1.51	6.18	1.86	7.36	2.28	8.26	2.34	9.15	2.41	9.84	2.42
	46	4.42	1.58	5.98	1.92	7.16	2.36	8.16	2.42	9.07	2.49	9.76	2.50
7+7+7+9	22	6.17	1.01	7.72	1.34	8.90	1.67	9.80	1.73	10.70	1.80	11.38	1.81
	25	5.83	1.11	7.38	1.45	8.57	1.80	9.46	1.87	10.36	1.93	11.04	1.94
	32	5.36	1.27	6.92	1.61	8.10	1.99	8.99	2.05	9.89	2.12	10.57	2.13
	35	5.16	1.34	6.71	1.68	7.89	2.07	8.79	2.13	9.69	2.19	10.37	2.21
	40	4.83	1.45	6.38	1.79	7.56	2.20	8.46	2.26	9.36	2.33	10.04	2.34
	43	4.62	1.51	6.18	1.86	7.36	2.28	8.26	2.34	9.15	2.41	9.84	2.42
	46	4.42	1.58	5.98	1.92	7.16	2.36	8.16	2.42	9.07	2.49	9.76	2.50
5+5+9+12	22	6.17	1.01	7.72	1.34	8.90	1.67	9.80	1.73	10.70	1.80	11.38	1.81
	25	5.83	1.11	7.38	1.45	8.57	1.80	9.46	1.87	10.36	1.93	11.04	1.94
	32	5.36	1.27	6.92	1.61	8.10	1.99	8.99	2.05	9.89	2.12	10.57	2.13
	35	5.16	1.34	6.71	1.68	7.89	2.07	8.79	2.13	9.69	2.19	10.37	2.21
	40	4.83	1.45	6.38	1.79	7.56	2.20	8.46	2.26	9.36	2.33	10.04	2.34
	43	4.62	1.51	6.18	1.86	7.36	2.28	8.26	2.34	9.15	2.41	9.84	2.42
	46	4.42	1.58	5.98	1.92	7.16	2.36	8.16	2.42	9.07	2.49	9.76	2.50
5+7+7+12	22	6.17	1.01	7.72	1.34	8.90	1.67	9.80	1.73	10.70	1.80	11.38	1.81
	25	5.83	1.11	7.38	1.45	8.57	1.80	9.46	1.87	10.36	1.93	11.04	1.94
	32	5.36	1.27	6.92	1.61	8.10	1.99	8.99	2.05	9.89	2.12	10.57	2.13
	35	5.16	1.34	6.71	1.68	7.89	2.07	8.79	2.13	9.69	2.19	10.37	2.21
	40	4.83	1.45	6.38	1.79	7.56	2.20	8.46	2.26	9.36	2.33	10.04	2.34
	43	4.62	1.51	6.18	1.86	7.36	2.28	8.26	2.34	9.15	2.41	9.84	2.42
	46	4.42	1.58	5.98	1.92	7.16	2.36	8.16	2.42	9.07	2.49	9.76	2.50

5. Capacity tables

Cooling Capacity [-30G-]

Combination capacity index (kBTu/h)	Outdoor Air Temp. (°CDB)	Indoor Air Temp. (°CWB)											
		14		16		18		19		22		24	
		TC	PI	TC	PI	TC	PI	TC	PI	TC	PI	TC	PI
7+9+9+12	22	6.17	1.01	7.72	1.34	8.90	1.67	9.80	1.73	10.70	1.80	11.38	1.81
	25	5.83	1.11	7.38	1.45	8.57	1.80	9.46	1.87	10.36	1.93	11.04	1.94
	32	5.36	1.27	6.92	1.61	8.10	1.99	8.99	2.05	9.89	2.12	10.57	2.13
	35	5.16	1.34	6.71	1.68	7.89	2.07	8.79	2.13	9.69	2.19	10.37	2.21
	40	4.83	1.45	6.38	1.79	7.56	2.20	8.46	2.26	9.36	2.33	10.04	2.34
	43	4.62	1.51	6.18	1.86	7.36	2.28	8.26	2.34	9.15	2.41	9.84	2.42
5+9+9+15	22	6.17	1.01	7.72	1.34	8.90	1.67	9.80	1.73	10.70	1.80	11.38	1.81
	25	5.83	1.11	7.38	1.45	8.57	1.80	9.46	1.87	10.36	1.93	11.04	1.94
	32	5.36	1.27	6.92	1.61	8.10	1.99	8.99	2.05	9.89	2.12	10.57	2.13
	35	5.16	1.34	6.71	1.68	7.89	2.07	8.79	2.13	9.69	2.19	10.37	2.21
	40	4.83	1.45	6.38	1.79	7.56	2.20	8.46	2.26	9.36	2.33	10.04	2.34
	43	4.62	1.51	6.18	1.86	7.36	2.28	8.26	2.34	9.15	2.41	9.84	2.42
7+7+9+15	22	6.17	1.01	7.72	1.34	8.90	1.67	9.80	1.73	10.70	1.80	11.38	1.81
	25	5.83	1.11	7.38	1.45	8.57	1.80	9.46	1.87	10.36	1.93	11.04	1.94
	32	5.36	1.27	6.92	1.61	8.10	1.99	8.99	2.05	9.89	2.12	10.57	2.13
	35	5.16	1.34	6.71	1.68	7.89	2.07	8.79	2.13	9.69	2.19	10.37	2.21
	40	4.83	1.45	6.38	1.79	7.56	2.20	8.46	2.26	9.36	2.33	10.04	2.34
	43	4.62	1.51	6.18	1.86	7.36	2.28	8.26	2.34	9.15	2.41	9.84	2.42
7+7+12+12	22	6.17	1.01	7.72	1.34	8.90	1.67	9.80	1.73	10.70	1.80	11.38	1.81
	25	5.83	1.11	7.38	1.45	8.57	1.80	9.46	1.87	10.36	1.93	11.04	1.94
	32	5.36	1.27	6.92	1.61	8.10	1.99	8.99	2.05	9.89	2.12	10.57	2.13
	35	5.16	1.34	6.71	1.68	7.89	2.07	8.79	2.13	9.69	2.19	10.37	2.21
	40	4.83	1.45	6.38	1.79	7.56	2.20	8.46	2.26	9.36	2.33	10.04	2.34
	43	4.62	1.51	6.18	1.86	7.36	2.28	8.26	2.34	9.15	2.41	9.84	2.42
5+5+5+24	22	6.17	1.01	7.72	1.34	8.90	1.67	9.80	1.73	10.70	1.80	11.38	1.81
	25	5.83	1.11	7.38	1.45	8.57	1.80	9.46	1.87	10.36	1.93	11.04	1.94
	32	5.36	1.27	6.92	1.61	8.10	1.99	8.99	2.05	9.89	2.12	10.57	2.13
	35	5.16	1.34	6.71	1.68	7.89	2.07	8.79	2.13	9.69	2.19	10.37	2.21
	40	4.83	1.45	6.38	1.79	7.56	2.20	8.46	2.26	9.36	2.33	10.04	2.34
	43	4.62	1.51	6.18	1.86	7.36	2.28	8.26	2.34	9.15	2.41	9.84	2.42
5+7+9+18	22	6.17	1.01	7.72	1.34	8.90	1.67	9.80	1.73	10.70	1.80	11.38	1.81
	25	5.83	1.11	7.38	1.45	8.57	1.80	9.46	1.87	10.36	1.93	11.04	1.94
	32	5.36	1.27	6.92	1.61	8.10	1.99	8.99	2.05	9.89	2.12	10.57	2.13
	35	5.16	1.34	6.71	1.68	7.89	2.07	8.79	2.13	9.69	2.19	10.37	2.21
	40	4.83	1.45	6.38	1.79	7.56	2.20	8.46	2.26	9.36	2.33	10.04	2.34
	43	4.62	1.51	6.18	1.86	7.36	2.28	8.26	2.34	9.15	2.41	9.84	2.42
5+7+12+15	22	6.17	1.01	7.72	1.34	8.90	1.67	9.80	1.73	10.70	1.80	11.38	1.81
	25	5.83	1.11	7.38	1.45	8.57	1.80	9.46	1.87	10.36	1.93	11.04	1.94
	32	5.36	1.27	6.92	1.61	8.10	1.99	8.99	2.05	9.89	2.12	10.57	2.13
	35	5.16	1.34	6.71	1.68	7.89	2.07	8.79	2.13	9.69	2.19	10.37	2.21
	40	4.83	1.45	6.38	1.79	7.56	2.20	8.46	2.26	9.36	2.33	10.04	2.34
	43	4.62	1.51	6.18	1.86	7.36	2.28	8.26	2.34	9.15	2.41	9.84	2.42
9+9+9+12	22	6.17	1.01	7.72	1.34	8.90	1.67	9.80	1.73	10.70	1.80	11.38	1.81
	25	5.83	1.11	7.38	1.45	8.57	1.80	9.46	1.87	10.36	1.93	11.04	1.94
	32	5.36	1.27	6.92	1.61	8.10	1.99	8.99	2.05	9.89	2.12	10.57	2.13
	35	5.16	1.34	6.71	1.68	7.89	2.07	8.79	2.13	9.69	2.19	10.37	2.21
	40	4.83	1.45	6.38	1.79	7.56	2.20	8.46	2.26	9.36	2.33	10.04	2.34
	43	4.62	1.51	6.18	1.86	7.36	2.28	8.26	2.34	9.15	2.41	9.84	2.42
7+7+7+18	22	6.17	1.01	7.72	1.34	8.90	1.67	9.80	1.73	10.70	1.80	11.38	1.81
	25	5.83	1.11	7.38	1.45	8.57	1.80	9.46	1.87	10.36	1.93	11.04	1.94
	32	5.36	1.27	6.92	1.61	8.10	1.99	8.99	2.05	9.89	2.12	10.57	2.13
	35	5.16	1.34	6.71	1.68	7.89	2.07	8.79	2.13	9.69	2.19	10.37	2.21
	40	4.83	1.45	6.38	1.79	7.56	2.20	8.46	2.26	9.36	2.33	10.04	2.34
	43	4.62	1.51	6.18	1.86	7.36	2.28	8.26	2.34	9.15	2.41	9.84	2.42
5+5+12+18	22	6.17	1.01	7.72	1.34	8.90	1.67	9.80	1.73	10.70	1.80	11.38	1.81
	25	5.83	1.11	7.38	1.45	8.57	1.80	9.46	1.87	10.36	1.93	11.04	1.94
	32	5.36	1.27	6.92	1.61	8.10	1.99	8.99	2.05	9.89	2.12	10.57	2.13
	35	5.16	1.34	6.71	1.68	7.89	2.07	8.79	2.13	9.69	2.19	10.37	2.21
	40	4.83	1.45	6.38	1.79	7.56	2.20	8.46	2.26	9.36	2.33	10.04	2.34
	43	4.62	1.51	6.18	1.86	7.36	2.28	8.26	2.34	9.15	2.41	9.84	2.42
5+5+12+18	22	6.17	1.01	7.72	1.34	8.90	1.67	9.80	1.73	10.70	1.80	11.38	1.81
	25	5.83	1.11	7.38	1.45	8.57	1.80	9.46	1.87	10.36	1.93	11.04	1.94
	32	5.36	1.27	6.92	1.61	8.10	1.99	8.99	2.05	9.89	2.12	10.57	2.13
	35	5.16	1.34	6.71	1.68	7.89	2.07	8.79	2.13	9.69	2.19	10.37	2.21
	40	4.83	1.45	6.38	1.79	7.56	2.20	8.46	2.26	9.36	2.33	10.04	2.34
	46	4.42	1.58	5.98	1.92	7.16	2.36	8.16	2.42	9.07	2.49	9.76	2.50

5. Capacity tables

Cooling Capacity [-30G-]

Combination capacity index (kBTu/h)	Outdoor Air Temp. (°CDB)	Indoor Air Temp. (°CWB)											
		14		16		18		19		22		24	
		TC	PI	TC	PI	TC	PI	TC	PI	TC	PI	TC	PI
7+9+9+15	22	6.17	1.01	7.72	1.34	8.90	1.67	9.80	1.73	10.70	1.80	11.38	1.81
	25	5.83	1.11	7.38	1.45	8.57	1.80	9.46	1.87	10.36	1.93	11.04	1.94
	32	5.36	1.27	6.92	1.61	8.10	1.99	8.99	2.05	9.89	2.12	10.57	2.13
	35	5.16	1.34	6.71	1.68	7.89	2.07	8.79	2.13	9.69	2.19	10.37	2.21
	40	4.83	1.45	6.38	1.79	7.56	2.20	8.46	2.26	9.36	2.33	10.04	2.34
	43	4.62	1.51	6.18	1.86	7.36	2.28	8.26	2.34	9.15	2.41	9.84	2.42
	46	4.42	1.58	5.98	1.92	7.16	2.36	8.16	2.42	9.07	2.49	9.76	2.50
7+9+12+12	22	6.17	1.01	7.72	1.34	8.90	1.67	9.80	1.73	10.70	1.80	11.38	1.81
	25	5.83	1.11	7.38	1.45	8.57	1.80	9.46	1.87	10.36	1.93	11.04	1.94
	32	5.36	1.27	6.92	1.61	8.10	1.99	8.99	2.05	9.89	2.12	10.57	2.13
	35	5.16	1.34	6.71	1.68	7.89	2.07	8.79	2.13	9.69	2.19	10.37	2.21
	40	4.83	1.45	6.38	1.79	7.56	2.20	8.46	2.26	9.36	2.33	10.04	2.34
	43	4.62	1.51	6.18	1.86	7.36	2.28	8.26	2.34	9.15	2.41	9.84	2.42
	46	4.42	1.58	5.98	1.92	7.16	2.36	8.16	2.42	9.07	2.49	9.76	2.50
5+5+7+24	22	6.17	1.01	7.72	1.34	8.90	1.67	9.80	1.73	10.70	1.80	11.38	1.81
	25	5.83	1.11	7.38	1.45	8.57	1.80	9.46	1.87	10.36	1.93	11.04	1.94
	32	5.36	1.27	6.92	1.61	8.10	1.99	8.99	2.05	9.89	2.12	10.57	2.13
	35	5.16	1.34	6.71	1.68	7.89	2.07	8.79	2.13	9.69	2.19	10.37	2.21
	40	4.83	1.45	6.38	1.79	7.56	2.20	8.46	2.26	9.36	2.33	10.04	2.34
	43	4.62	1.51	6.18	1.86	7.36	2.28	8.26	2.34	9.15	2.41	9.84	2.42
	46	4.42	1.58	5.98	1.92	7.16	2.36	8.16	2.42	9.07	2.49	9.76	2.50
5+9+12+15	22	6.17	1.01	7.72	1.34	8.90	1.67	9.80	1.73	10.70	1.80	11.38	1.81
	25	5.83	1.11	7.38	1.45	8.57	1.80	9.46	1.87	10.36	1.93	11.04	1.94
	32	5.36	1.27	6.92	1.61	8.10	1.99	8.99	2.05	9.89	2.12	10.57	2.13
	35	5.16	1.34	6.71	1.68	7.89	2.07	8.79	2.13	9.69	2.19	10.37	2.21
	40	4.83	1.45	6.38	1.79	7.56	2.20	8.46	2.26	9.36	2.33	10.04	2.34
	43	4.62	1.51	6.18	1.86	7.36	2.28	8.26	2.34	9.15	2.41	9.84	2.42
	46	4.42	1.58	5.98	1.92	7.16	2.36	8.16	2.42	9.07	2.49	9.76	2.50
5+12+12+12	22	6.17	1.01	7.72	1.34	8.90	1.67	9.80	1.73	10.70	1.80	11.38	1.81
	25	5.83	1.11	7.38	1.45	8.57	1.80	9.46	1.87	10.36	1.93	11.04	1.94
	32	5.36	1.27	6.92	1.61	8.10	1.99	8.99	2.05	9.89	2.12	10.57	2.13
	35	5.16	1.34	6.71	1.68	7.89	2.07	8.79	2.13	9.69	2.19	10.37	2.21
	40	4.83	1.45	6.38	1.79	7.56	2.20	8.46	2.26	9.36	2.33	10.04	2.34
	43	4.62	1.51	6.18	1.86	7.36	2.28	8.26	2.34	9.15	2.41	9.84	2.42
	46	4.42	1.58	5.98	1.92	7.16	2.36	8.16	2.42	9.07	2.49	9.76	2.50
7+7+12+15	22	6.17	1.01	7.72	1.34	8.90	1.67	9.80	1.73	10.70	1.80	11.38	1.81
	25	5.83	1.11	7.38	1.45	8.57	1.80	9.46	1.87	10.36	1.93	11.04	1.94
	32	5.36	1.27	6.92	1.61	8.10	1.99	8.99	2.05	9.89	2.12	10.57	2.13
	35	5.16	1.34	6.71	1.68	7.89	2.07	8.79	2.13	9.69	2.19	10.37	2.21
	40	4.83	1.45	6.38	1.79	7.56	2.20	8.46	2.26	9.36	2.33	10.04	2.34
	43	4.62	1.51	6.18	1.86	7.36	2.28	8.26	2.34	9.15	2.41	9.84	2.42
	46	4.42	1.58	5.98	1.92	7.16	2.36	8.16	2.42	9.07	2.49	9.76	2.50
7+7+9+18	22	6.17	1.01	7.72	1.34	8.90	1.67	9.80	1.73	10.70	1.80	11.38	1.81
	25	5.83	1.11	7.38	1.45	8.57	1.80	9.46	1.87	10.36	1.93	11.04	1.94
	32	5.36	1.27	6.92	1.61	8.10	1.99	8.99	2.05	9.89	2.12	10.57	2.13
	35	5.16	1.34	6.71	1.68	7.89	2.07	8.79	2.13	9.69	2.19	10.37	2.21
	40	4.83	1.45	6.38	1.79	7.56	2.20	8.46	2.26	9.36	2.33	10.04	2.34
	43	4.62	1.51	6.18	1.86	7.36	2.28	8.26	2.34	9.15	2.41	9.84	2.42
	46	4.42	1.58	5.98	1.92	7.16	2.36	8.16	2.42	9.07	2.49	9.76	2.50
5+7+15+15	22	6.17	1.01	7.72	1.34	8.90	1.67	9.80	1.73	10.70	1.80	11.38	1.81
	25	5.83	1.11	7.38	1.45	8.57	1.80	9.46	1.87	10.36	1.93	11.04	1.94
	32	5.36	1.27	6.92	1.61	8.10	1.99	8.99	2.05	9.89	2.12	10.57	2.13
	35	5.16	1.34	6.71	1.68	7.89	2.07	8.79	2.13	9.69	2.19	10.37	2.21
	40	4.83	1.45	6.38	1.79	7.56	2.20	8.46	2.26	9.36	2.33	10.04	2.34
	43	4.62	1.51	6.18	1.86	7.36	2.28	8.26	2.34	9.15	2.41	9.84	2.42
	46	4.42	1.58	5.98	1.92	7.16	2.36	8.16	2.42	9.07	2.49	9.76	2.50
9+9+9+15	22	6.17	1.01	7.72	1.34	8.90	1.67	9.80	1.73	10.70	1.80	11.38	1.81
	25	5.83	1.11	7.38	1.45	8.57	1.80	9.46	1.87	10.36	1.93	11.04	1.94
	32	5.36	1.27	6.92	1.61	8.10	1.99	8.99	2.05	9.89	2.12	10.57	2.13
	35	5.16	1.34	6.71	1.68	7.89	2.07	8.79	2.13	9.69	2.19	10.37	2.21
	40	4.83	1.45	6.38	1.79	7.56	2.20	8.46	2.26	9.36	2.33	10.04	2.34
	43	4.62	1.51	6.18	1.86	7.36	2.28	8.26	2.34	9.15	2.41	9.84	2.42
	46	4.42	1.58	5.98	1.92	7.16	2.36	8.16	2.42	9.07	2.49	9.76	2.50
9+9+12+12	22	6.17	1.01	7.72	1.34	8.90	1.67	9.80	1.73	10.70	1.80	11.38	1.81
	25	5.83	1.11	7.38	1.45	8.57	1.80	9.46	1.87	10.36	1.93	11.04	1.94
	32	5.36	1.27	6.92	1.61	8.10	1.99	8.99	2.05	9.89	2.12	10.57	2.13
	35	5.16	1.34	6.71	1.68	7.89	2.07	8.79	2.13	9.69	2.19	10.37	2.21
	40	4.83	1.45	6.38	1.79	7.56	2.20	8.46	2.26	9.36	2.33	10.04	2.34
	43	4.62	1.51	6.18	1.86	7.36	2.28	8.26	2.34	9.15	2.41	9.84	2.42
	46	4.42	1.58	5.98	1.92	7.16	2.36	8.16	2.42	9.07	2.49	9.76	2.50

5. Capacity tables

Cooling Capacity [-30G-]

Combination capacity index (kBTU/h)	Outdoor Air Temp. (°CDB)	Indoor Air Temp. (°CWB)											
		14		16		18		19		22		24	
		TC	PI	TC	PI	TC	PI	TC	PI	TC	PI	TC	PI
7+7+7+24	22	6.17	1.01	7.72	1.34	8.90	1.67	9.80	1.73	10.70	1.80	11.38	1.81
	25	5.83	1.11	7.38	1.45	8.57	1.80	9.46	1.87	10.36	1.93	11.04	1.94
	32	5.36	1.27	6.92	1.61	8.10	1.99	8.99	2.05	9.89	2.12	10.57	2.13
	35	5.16	1.34	6.71	1.68	7.89	2.07	8.79	2.13	9.69	2.19	10.37	2.21
	40	4.83	1.45	6.38	1.79	7.56	2.20	8.46	2.26	9.36	2.33	10.04	2.34
	43	4.62	1.51	6.18	1.86	7.36	2.28	8.26	2.34	9.15	2.41	9.84	2.42
7+9+12+18	22	6.17	1.01	7.72	1.34	8.90	1.67	9.80	1.73	10.70	1.80	11.38	1.81
	25	5.83	1.11	7.38	1.45	8.57	1.80	9.46	1.87	10.36	1.93	11.04	1.94
	32	5.36	1.27	6.92	1.61	8.10	1.99	8.99	2.05	9.89	2.12	10.57	2.13
	35	5.16	1.34	6.71	1.68	7.89	2.07	8.79	2.13	9.69	2.19	10.37	2.21
	40	4.83	1.45	6.38	1.79	7.56	2.20	8.46	2.26	9.36	2.33	10.04	2.34
	43	4.62	1.51	6.18	1.86	7.36	2.28	8.26	2.34	9.15	2.41	9.84	2.42
7+9+15+15	22	6.17	1.01	7.72	1.34	8.90	1.67	9.80	1.73	10.70	1.80	11.38	1.81
	25	5.83	1.11	7.38	1.45	8.57	1.80	9.46	1.87	10.36	1.93	11.04	1.94
	32	5.36	1.27	6.92	1.61	8.10	1.99	8.99	2.05	9.89	2.12	10.57	2.13
	35	5.16	1.34	6.71	1.68	7.89	2.07	8.79	2.13	9.69	2.19	10.37	2.21
	40	4.83	1.45	6.38	1.79	7.56	2.20	8.46	2.26	9.36	2.33	10.04	2.34
	43	4.62	1.51	6.18	1.86	7.36	2.28	8.26	2.34	9.15	2.41	9.84	2.42
7+12+12+15	22	6.17	1.01	7.72	1.34	8.90	1.67	9.80	1.73	10.70	1.80	11.38	1.81
	25	5.83	1.11	7.38	1.45	8.57	1.80	9.46	1.87	10.36	1.93	11.04	1.94
	32	5.36	1.27	6.92	1.61	8.10	1.99	8.99	2.05	9.89	2.12	10.57	2.13
	35	5.16	1.34	6.71	1.68	7.89	2.07	8.79	2.13	9.69	2.19	10.37	2.21
	40	4.83	1.45	6.38	1.79	7.56	2.20	8.46	2.26	9.36	2.33	10.04	2.34
	43	4.62	1.51	6.18	1.86	7.36	2.28	8.26	2.34	9.15	2.41	9.84	2.42
5+12+12+18	22	6.17	1.01	7.72	1.34	8.90	1.67	9.80	1.73	10.70	1.80	11.38	1.81
	25	5.83	1.11	7.38	1.45	8.57	1.80	9.46	1.87	10.36	1.93	11.04	1.94
	32	5.36	1.27	6.92	1.61	8.10	1.99	8.99	2.05	9.89	2.12	10.57	2.13
	35	5.16	1.34	6.71	1.68	7.89	2.07	8.79	2.13	9.69	2.19	10.37	2.21
	40	4.83	1.45	6.38	1.79	7.56	2.20	8.46	2.26	9.36	2.33	10.04	2.34
	43	4.62	1.51	6.18	1.86	7.36	2.28	8.26	2.34	9.15	2.41	9.84	2.42
7+7+9+24	22	6.17	1.01	7.72	1.34	8.90	1.67	9.80	1.73	10.70	1.80	11.38	1.81
	25	5.83	1.11	7.38	1.45	8.57	1.80	9.46	1.87	10.36	1.93	11.04	1.94
	32	5.36	1.27	6.92	1.61	8.10	1.99	8.99	2.05	9.89	2.12	10.57	2.13
	35	5.16	1.34	6.71	1.68	7.89	2.07	8.79	2.13	9.69	2.19	10.37	2.21
	40	4.83	1.45	6.38	1.79	7.56	2.20	8.46	2.26	9.36	2.33	10.04	2.34
	43	4.62	1.51	6.18	1.86	7.36	2.28	8.26	2.34	9.15	2.41	9.84	2.42
7+7+15+18	22	6.17	1.01	7.72	1.34	8.90	1.67	9.80	1.73	10.70	1.80	11.38	1.81
	25	5.83	1.11	7.38	1.45	8.57	1.80	9.46	1.87	10.36	1.93	11.04	1.94
	32	5.36	1.27	6.92	1.61	8.10	1.99	8.99	2.05	9.89	2.12	10.57	2.13
	35	5.16	1.34	6.71	1.68	7.89	2.07	8.79	2.13	9.69	2.19	10.37	2.21
	40	4.83	1.45	6.38	1.79	7.56	2.20	8.46	2.26	9.36	2.33	10.04	2.34
	43	4.62	1.51	6.18	1.86	7.36	2.28	8.26	2.34	9.15	2.41	9.84	2.42
5+9+15+18	22	6.17	1.01	7.72	1.34	8.90	1.67	9.80	1.73	10.70	1.80	11.38	1.81
	25	5.83	1.11	7.38	1.45	8.57	1.80	9.46	1.87	10.36	1.93	11.04	1.94
	32	5.36	1.27	6.92	1.61	8.10	1.99	8.99	2.05	9.89	2.12	10.57	2.13
	35	5.16	1.34	6.71	1.68	7.89	2.07	8.79	2.13	9.69	2.19	10.37	2.21
	40	4.83	1.45	6.38	1.79	7.56	2.20	8.46	2.26	9.36	2.33	10.04	2.34
	43	4.62	1.51	6.18	1.86	7.36	2.28	8.26	2.34	9.15	2.41	9.84	2.42
5+12+15+15	22	6.17	1.01	7.72	1.34	8.90	1.67	9.80	1.73	10.70	1.80	11.38	1.81
	25	5.83	1.11	7.38	1.45	8.57	1.80	9.46	1.87	10.36	1.93	11.04	1.94
	32	5.36	1.27	6.92	1.61	8.10	1.99	8.99	2.05	9.89	2.12	10.57	2.13
	35	5.16	1.34	6.71	1.68	7.89	2.07	8.79	2.13	9.69	2.19	10.37	2.21
	40	4.83	1.45	6.38	1.79	7.56	2.20	8.46	2.26	9.36	2.33	10.04	2.34
	43	4.62	1.51	6.18	1.86	7.36	2.28	8.26	2.34	9.15	2.41	9.84	2.42
9+9+15+15	22	6.17	1.01	7.72	1.34	8.90	1.67	9.80	1.73	10.70	1.80	11.38	1.81
	25	5.83	1.11	7.38	1.45	8.57	1.80	9.46	1.87	10.36	1.93	11.04	1.94
	32	5.36	1.27	6.92	1.61	8.10	1.99	8.99	2.05	9.89	2.12	10.57	2.13
	35	5.16	1.34	6.71	1.68	7.89	2.07	8.79	2.13	9.69	2.19	10.37	2.21
	40	4.83	1.45	6.38	1.79	7.56	2.20	8.46	2.26	9.36	2.33	10.04	2.34
	43	4.62	1.51	6.18	1.86	7.36	2.28	8.26	2.34	9.15	2.41	9.84	2.42
9+9+15+15	22	6.17	1.01	7.72	1.34	8.90	1.67	9.80	1.73	10.70	1.80	11.38	1.81
	25	5.83	1.11	7.38	1.45	8.57	1.80	9.46	1.87	10.36	1.93	11.04	1.94
	32	5.36	1.27	6.92	1.61	8.10	1.99	8.99	2.05	9.89	2.12	10.57	2.13
	35	5.16	1.34	6.71	1.68	7.89	2.07	8.79	2.13	9.69	2.19	10.37	2.21
	40	4.83	1.45	6.38	1.79	7.56	2.20	8.46	2.26	9.36	2.33	10.04	2.34
	46	4.42	1.58	5.98	1.92	7.16	2.36	8.16	2.42	9.07	2.49	9.76	2.50

5. Capacity tables

Cooling Capacity [-30G-]

Combination capacity index (kBTU/h)	Outdoor Air Temp. (°CDB)	Indoor Air Temp. (°CWB)											
		14		16		18		19		22		24	
		TC	PI	TC	PI	TC	PI	TC	PI	TC	PI	TC	PI
12+12+12+12	22	6.17	1.01	7.72	1.34	8.90	1.67	9.80	1.73	10.70	1.80	11.38	1.81
	25	5.83	1.11	7.38	1.45	8.57	1.80	9.46	1.87	10.36	1.93	11.04	1.94
	32	5.36	1.27	6.92	1.61	8.10	1.99	8.99	2.05	9.89	2.12	10.57	2.13
	35	5.16	1.34	6.71	1.68	7.89	2.07	8.79	2.13	9.69	2.19	10.37	2.21
	40	4.83	1.45	6.38	1.79	7.56	2.20	8.46	2.26	9.36	2.33	10.04	2.34
	43	4.62	1.51	6.18	1.86	7.36	2.28	8.26	2.34	9.15	2.41	9.84	2.42
9+9+12+18	22	6.17	1.01	7.72	1.34	8.90	1.67	9.80	1.73	10.70	1.80	11.38	1.81
	25	5.83	1.11	7.38	1.45	8.57	1.80	9.46	1.87	10.36	1.93	11.04	1.94
	32	5.36	1.27	6.92	1.61	8.10	1.99	8.99	2.05	9.89	2.12	10.57	2.13
	35	5.16	1.34	6.71	1.68	7.89	2.07	8.79	2.13	9.69	2.19	10.37	2.21
	40	4.83	1.45	6.38	1.79	7.56	2.20	8.46	2.26	9.36	2.33	10.04	2.34
	43	4.62	1.51	6.18	1.86	7.36	2.28	8.26	2.34	9.15	2.41	9.84	2.42
5 Units Operation	22	5.14	0.72	6.43	0.95	7.42	1.19	8.17	1.23	8.91	1.28	9.48	1.29
	25	4.86	0.79	6.15	1.03	7.14	1.28	7.89	1.33	8.63	1.37	9.20	1.38
	32	4.47	0.90	5.76	1.15	6.75	1.41	7.49	1.46	8.24	1.51	8.81	1.51
	35	4.30	0.95	5.60	1.19	6.58	1.47	7.33	1.52	8.08	1.56	8.64	1.57
	40	4.02	1.03	5.32	1.27	6.30	1.57	7.05	1.61	7.80	1.66	8.36	1.67
	43	3.85	1.08	5.15	1.32	6.13	1.62	6.88	1.67	7.63	1.71	8.20	1.72
5+5+5+5+7	22	5.55	0.81	6.95	1.07	8.01	1.33	8.82	1.38	9.63	1.43	10.24	1.44
	25	5.25	0.89	6.65	1.16	7.71	1.44	8.52	1.49	9.32	1.54	9.94	1.55
	32	4.83	1.01	6.22	1.29	7.29	1.59	8.09	1.64	8.90	1.69	9.52	1.70
	35	4.65	1.07	6.04	1.34	7.11	1.65	7.91	1.70	8.72	1.75	9.34	1.76
	40	4.34	1.16	5.74	1.43	6.80	1.76	7.61	1.81	8.42	1.86	9.03	1.87
	43	4.16	1.21	5.56	1.48	6.62	1.82	7.43	1.87	8.24	1.92	8.85	1.93
5+5+5+5+9	22	5.96	0.90	7.46	1.19	8.60	1.49	9.47	1.54	10.34	1.60	11.00	1.61
	25	5.64	0.99	7.14	1.29	8.28	1.60	9.15	1.66	10.02	1.72	10.68	1.73
	32	5.18	1.13	6.68	1.43	7.83	1.77	8.69	1.83	9.56	1.88	10.22	1.89
	35	4.99	1.19	6.49	1.49	7.63	1.84	8.50	1.90	9.37	1.95	10.03	1.97
	40	4.67	1.29	6.17	1.59	7.31	1.96	8.18	2.02	9.04	2.07	9.70	2.08
	43	4.47	1.35	5.97	1.65	7.11	2.03	7.98	2.09	8.85	2.14	9.51	2.16
5+5+5+7+7	22	5.96	0.90	7.46	1.19	8.60	1.49	9.47	1.54	10.34	1.60	11.00	1.61
	25	5.64	0.99	7.14	1.29	8.28	1.60	9.15	1.66	10.02	1.72	10.68	1.73
	32	5.18	1.13	6.68	1.43	7.83	1.77	8.69	1.83	9.56	1.88	10.22	1.89
	35	4.99	1.19	6.49	1.49	7.63	1.84	8.50	1.90	9.37	1.95	10.03	1.97
	40	4.67	1.29	6.17	1.59	7.31	1.96	8.18	2.02	9.04	2.07	9.70	2.08
	43	4.47	1.35	5.97	1.65	7.11	2.03	7.98	2.09	8.85	2.14	9.51	2.16
5+5+5+7+9	22	6.17	0.95	7.72	1.26	8.90	1.57	9.80	1.63	10.70	1.69	11.38	1.70
	25	5.83	1.04	7.38	1.36	8.57	1.69	9.46	1.75	10.36	1.81	11.04	1.82
	32	5.36	1.19	6.92	1.51	8.10	1.86	8.99	1.93	9.89	1.99	10.57	2.00
	35	5.16	1.25	6.71	1.57	7.89	1.94	8.79	2.00	9.69	2.06	10.37	2.07
	40	4.83	1.36	6.38	1.68	7.56	2.06	8.46	2.12	9.36	2.18	10.04	2.20
	43	4.62	1.42	6.18	1.74	7.36	2.14	8.26	2.20	9.15	2.26	9.84	2.27
5+5+7+7+7	22	6.17	0.95	7.72	1.26	8.90	1.57	9.80	1.63	10.70	1.69	11.38	1.70
	25	5.83	1.04	7.38	1.36	8.57	1.69	9.46	1.75	10.36	1.81	11.04	1.82
	32	5.36	1.19	6.92	1.51	8.10	1.86	8.99	1.93	9.89	1.99	10.57	2.00
	35	5.16	1.25	6.71	1.57	7.89	1.94	8.79	2.00	9.69	2.06	10.37	2.07
	40	4.83	1.36	6.38	1.68	7.56	2.06	8.46	2.12	9.36	2.18	10.04	2.20
	43	4.62	1.42	6.18	1.74	7.36	2.14	8.26	2.20	9.15	2.26	9.84	2.27
5+5+5+5+12	22	6.17	0.95	7.72	1.26	8.90	1.57	9.80	1.63	10.70	1.69	11.38	1.70
	25	5.83	1.04	7.38	1.36	8.57	1.69	9.46	1.75	10.36	1.81	11.04	1.82
	32	5.36	1.19	6.92	1.51	8.10	1.86	8.99	1.93	9.89	1.99	10.57	2.00
	35	5.16	1.25	6.71	1.57	7.89	1.94	8.79	2.00	9.69	2.06	10.37	2.07
	40	4.83	1.36	6.38	1.68	7.56	2.06	8.46	2.12	9.36	2.18	10.04	2.20
	43	4.62	1.42	6.18	1.74	7.36	2.14	8.26	2.20	9.15	2.26	9.84	2.27
5+5+5+9+9	22	6.17	0.95	7.72	1.26	8.90	1.57	9.80	1.63	10.70	1.69	11.38	1.70
	25	5.83	1.04	7.38	1.36	8.57	1.69	9.46	1.75	10.36	1.81	11.04	1.82
	32	5.36	1.19	6.92	1.51	8.10	1.86	8.99	1.93	9.89	1.99	10.57	2.00
	35	5.16	1.25	6.71	1.57	7.89	1.94	8.79	2.00	9.69	2.06	10.37	2.07
	40	4.83	1.36	6.38	1.68	7.56	2.06	8.46	2.12	9.36	2.18	10.04	2.20
	43	4.62	1.42	6.18	1.74	7.36	2.14	8.26	2.20	9.15	2.26	9.84	2.27
5+5+5+9+9	22	6.17	0.95	7.72	1.26	8.90	1.57	9.80	1.63	10.70	1.69	11.38	1.70
	25	5.83	1.04	7.38	1.36	8.57	1.69	9.46	1.75	10.36	1.81	11.04	1.82
	32	5.36	1.19	6.92	1.51	8.10	1.86	8.99	1.93	9.89	1.99	10.57	2.00
	35	5.16	1.25	6.71	1.57	7.89	1.94	8.79	2.00	9.69	2.06	10.37	2.07
	40	4.83	1.36	6.38	1.68	7.56	2.06	8.46	2.12	9.36	2.18	10.04	2.20
	43	4.62	1.42	6.18	1.74	7.36	2.14	8.26	2.20	9.15	2.26	9.84	2.27
5+5+5+9+9	22	6.17	0.95	7.72	1.26	8.90	1.57	9.80	1.63	10.70	1.69	11.38	1.70
	25	5.83	1.04	7.38	1.36	8.57	1.69	9.46	1.75	10.36	1.81	11.04	1.82
	32	5.36	1.19	6.92	1.51	8.10	1.86	8.99	1.93	9.89	1.99	10.57	2.00
	35	5.16	1.25	6.71	1.57	7.89	1.94	8.79	2.00	9.69	2.06	10.37	2.07
	40	4.83	1.36	6.38	1.68	7.56	2.06	8.46	2.12	9.36	2.18	10.04	2.20
	43	4.62	1.42	6.18	1.74	7.36	2.14	8.26	2.20	9.15	2.26	9.84	2.27
5+5+5+9+9	22	6.17	0.95	7.72	1.26	8.90	1.57	9.80	1.63	10.70	1.69	11.38	1.70
	25	5.83	1.04	7.38	1.36	8.57	1.69	9.46	1.75	10.36	1.81	11.04	1.82
	32	5.36	1.19	6.92	1.51	8.10	1.86	8.99	1.93	9.89	1.99	10.57	2.00
	35	5.16	1.25	6.71	1.57	7.89	1.94	8.79	2.00	9.69	2.06	10.37	2.07
	40	4.83	1.36	6.38	1.68	7.56	2.06	8.46	2.12	9.36	2.18	10.04	2.20
	43	4.62	1.42	6.18	1.74	7.36	2.14	8.26	2.20	9.15	2.26	9.84	2.27
5+5+5+9+9	22	6.17	0.95	7.72	1.26	8.90	1.57	9.80	1.63	10.70	1.69	11.38	1.70
	25	5.83	1.04	7.38	1.36	8.57	1.69	9.46	1.75	10.36	1.81	11.04	1.82
	32	5.36	1.19	6.92	1.51	8.10	1.86	8.99	1.93	9.89	1.99	10.57	2.00
	35	5.16	1.25	6.71	1.57	7.89	1.94	8.79	2.00	9.69	2.06	10.37	2.07
	40	4.83	1.36	6.38	1.68	7.56	2.06	8.46	2.12	9.36	2.18	10.04	2.20
	43	4.62	1.42	6.18	1.74	7.36	2.14	8.26	2.20	9.15	2.26	9.84	2.27
5+5+5+9+9	22	6.17	0.95	7.72	1.26	8.90	1.57	9.80	1.63	10.70	1.69	11.38	1.70
	25	5.83	1.04	7.38	1.36	8.57	1.69	9.46	1.75	10.36	1.81	11.04</	

5. Capacity tables

Cooling Capacity [-30G-]

Combination capacity index (kBTu/h)	Outdoor Air Temp. (°CDB)	Indoor Air Temp. (°CWB)											
		14		16		18		19		22		24	
		TC	PI	TC	PI	TC	PI	TC	PI	TC	PI	TC	PI
5+5+9+9+9	22	6.17	0.95	7.72	1.26	8.90	1.57	9.80	1.63	10.70	1.69	11.38	1.70
	25	5.83	1.04	7.38	1.36	8.57	1.69	9.46	1.75	10.36	1.81	11.04	1.82
	32	5.36	1.19	6.92	1.51	8.10	1.86	8.99	1.93	9.89	1.99	10.57	2.00
	35	5.16	1.25	6.71	1.57	7.89	1.94	8.79	2.00	9.69	2.06	10.37	2.07
	40	4.83	1.36	6.38	1.68	7.56	2.06	8.46	2.12	9.36	2.18	10.04	2.20
	43	4.62	1.42	6.18	1.74	7.36	2.14	8.26	2.20	9.15	2.26	9.84	2.27
5+7+7+9+9	22	6.17	0.95	7.72	1.26	8.90	1.57	9.80	1.63	10.70	1.69	11.38	1.70
	25	5.83	1.04	7.38	1.36	8.57	1.69	9.46	1.75	10.36	1.81	11.04	1.82
	32	5.36	1.19	6.92	1.51	8.10	1.86	8.99	1.93	9.89	1.99	10.57	2.00
	35	5.16	1.25	6.71	1.57	7.89	1.94	8.79	2.00	9.69	2.06	10.37	2.07
	40	4.83	1.36	6.38	1.68	7.56	2.06	8.46	2.12	9.36	2.18	10.04	2.20
	43	4.62	1.42	6.18	1.74	7.36	2.14	8.26	2.20	9.15	2.26	9.84	2.27
7+7+7+7+9	22	6.17	0.95	7.72	1.26	8.90	1.57	9.80	1.63	10.70	1.69	11.38	1.70
	25	5.83	1.04	7.38	1.36	8.57	1.69	9.46	1.75	10.36	1.81	11.04	1.82
	32	5.36	1.19	6.92	1.51	8.10	1.86	8.99	1.93	9.89	1.99	10.57	2.00
	35	5.16	1.25	6.71	1.57	7.89	1.94	8.79	2.00	9.69	2.06	10.37	2.07
	40	4.83	1.36	6.38	1.68	7.56	2.06	8.46	2.12	9.36	2.18	10.04	2.20
	43	4.62	1.42	6.18	1.74	7.36	2.14	8.26	2.20	9.15	2.26	9.84	2.27
5+5+5+5+18	22	6.17	0.95	7.72	1.26	8.90	1.57	9.80	1.63	10.70	1.69	11.38	1.70
	25	5.83	1.04	7.38	1.36	8.57	1.69	9.46	1.75	10.36	1.81	11.04	1.82
	32	5.36	1.19	6.92	1.51	8.10	1.86	8.99	1.93	9.89	1.99	10.57	2.00
	35	5.16	1.25	6.71	1.57	7.89	1.94	8.79	2.00	9.69	2.06	10.37	2.07
	40	4.83	1.36	6.38	1.68	7.56	2.06	8.46	2.12	9.36	2.18	10.04	2.20
	43	4.62	1.42	6.18	1.74	7.36	2.14	8.26	2.20	9.15	2.26	9.84	2.27
5+7+7+7+12	22	6.17	0.95	7.72	1.26	8.90	1.57	9.80	1.63	10.70	1.69	11.38	1.70
	25	5.83	1.04	7.38	1.36	8.57	1.69	9.46	1.75	10.36	1.81	11.04	1.82
	32	5.36	1.19	6.92	1.51	8.10	1.86	8.99	1.93	9.89	1.99	10.57	2.00
	35	5.16	1.25	6.71	1.57	7.89	1.94	8.79	2.00	9.69	2.06	10.37	2.07
	40	4.83	1.36	6.38	1.68	7.56	2.06	8.46	2.12	9.36	2.18	10.04	2.20
	43	4.62	1.42	6.18	1.74	7.36	2.14	8.26	2.20	9.15	2.26	9.84	2.27
5+5+5+9+15	22	6.17	0.95	7.72	1.26	8.90	1.57	9.80	1.63	10.70	1.69	11.38	1.70
	25	5.83	1.04	7.38	1.36	8.57	1.69	9.46	1.75	10.36	1.81	11.04	1.82
	32	5.36	1.19	6.92	1.51	8.10	1.86	8.99	1.93	9.89	1.99	10.57	2.00
	35	5.16	1.25	6.71	1.57	7.89	1.94	8.79	2.00	9.69	2.06	10.37	2.07
	40	4.83	1.36	6.38	1.68	7.56	2.06	8.46	2.12	9.36	2.18	10.04	2.20
	43	4.62	1.42	6.18	1.74	7.36	2.14	8.26	2.20	9.15	2.26	9.84	2.27
5+5+5+12+12	22	6.17	0.95	7.72	1.26	8.90	1.57	9.80	1.63	10.70	1.69	11.38	1.70
	25	5.83	1.04	7.38	1.36	8.57	1.69	9.46	1.75	10.36	1.81	11.04	1.82
	32	5.36	1.19	6.92	1.51	8.10	1.86	8.99	1.93	9.89	1.99	10.57	2.00
	35	5.16	1.25	6.71	1.57	7.89	1.94	8.79	2.00	9.69	2.06	10.37	2.07
	40	4.83	1.36	6.38	1.68	7.56	2.06	8.46	2.12	9.36	2.18	10.04	2.20
	43	4.62	1.42	6.18	1.74	7.36	2.14	8.26	2.20	9.15	2.26	9.84	2.27
5+5+7+7+15	22	6.17	0.95	7.72	1.26	8.90	1.57	9.80	1.63	10.70	1.69	11.38	1.70
	25	5.83	1.04	7.38	1.36	8.57	1.69	9.46	1.75	10.36	1.81	11.04	1.82
	32	5.36	1.19	6.92	1.51	8.10	1.86	8.99	1.93	9.89	1.99	10.57	2.00
	35	5.16	1.25	6.71	1.57	7.89	1.94	8.79	2.00	9.69	2.06	10.37	2.07
	40	4.83	1.36	6.38	1.68	7.56	2.06	8.46	2.12	9.36	2.18	10.04	2.20
	43	4.62	1.42	6.18	1.74	7.36	2.14	8.26	2.20	9.15	2.26	9.84	2.27
7+7+7+9+9	22	6.17	0.95	7.72	1.26	8.90	1.57	9.80	1.63	10.70	1.69	11.38	1.70
	25	5.83	1.04	7.38	1.36	8.57	1.69	9.46	1.75	10.36	1.81	11.04	1.82
	32	5.36	1.19	6.92	1.51	8.10	1.86	8.99	1.93	9.89	1.99	10.57	2.00
	35	5.16	1.25	6.71	1.57	7.89	1.94	8.79	2.00	9.69	2.06	10.37	2.07
	40	4.83	1.36	6.38	1.68	7.56	2.06	8.46	2.12	9.36	2.18	10.04	2.20
	43	4.62	1.42	6.18	1.74	7.36	2.14	8.26	2.20	9.15	2.26	9.84	2.27
5+7+9+9+9	22	6.17	0.95	7.72	1.26	8.90	1.57	9.80	1.63	10.70	1.69	11.38	1.70
	25	5.83	1.04	7.38	1.36	8.57	1.69	9.46	1.75	10.36	1.81	11.04	1.82
	32	5.36	1.19	6.92	1.51	8.10	1.86	8.99	1.93	9.89	1.99	10.57	2.00
	35	5.16	1.25	6.71	1.57	7.89	1.94	8.79	2.00	9.69	2.06	10.37	2.07
	40	4.83	1.36	6.38	1.68	7.56	2.06	8.46	2.12	9.36	2.18	10.04	2.20
	43	4.62	1.42	6.18	1.74	7.36	2.14	8.26	2.20	9.15	2.26	9.84	2.27
5+7+9+9+9	22	6.17	0.95	7.72	1.26	8.90	1.57	9.80	1.63	10.70	1.69	11.38	1.70
	25	5.83	1.04	7.38	1.36	8.57	1.69	9.46	1.75	10.36	1.81	11.04	1.82
	32	5.36	1.19	6.92	1.51	8.10	1.86	8.99	1.93	9.89	1.99	10.57	2.00
	35	5.16	1.25	6.71	1.57	7.89	1.94	8.79	2.00	9.69	2.06	10.37	2.07
	40	4.83	1.36	6.38	1.68	7.56	2.06	8.46	2.12	9.36	2.18	10.04	2.20
	46	4.42	1.48	5.98	1.80	7.16	2.21	8.16	2.27	9.07	2.33	9.76	2.35

5. Capacity tables

Cooling Capacity [-30G-]

Combination capacity index (kBTu/h)	Outdoor Air Temp. (°CDB)	Indoor Air Temp. (°CWB)											
		14		16		18		19		22		24	
		TC	PI	TC	PI	TC	PI	TC	PI	TC	PI	TC	PI
5+5+7+7+18	22	6.17	0.95	7.72	1.26	8.90	1.57	9.80	1.63	10.70	1.69	11.38	1.70
	25	5.83	1.04	7.38	1.36	8.57	1.69	9.46	1.75	10.36	1.81	11.04	1.82
	32	5.36	1.19	6.92	1.51	8.10	1.86	8.99	1.93	9.89	1.99	10.57	2.00
	35	5.16	1.25	6.71	1.57	7.89	1.94	8.79	2.00	9.69	2.06	10.37	2.07
	40	4.83	1.36	6.38	1.68	7.56	2.06	8.46	2.12	9.36	2.18	10.04	2.20
	43	4.62	1.42	6.18	1.74	7.36	2.14	8.26	2.20	9.15	2.26	9.84	2.27
5+7+9+9+12	22	6.17	0.95	7.72	1.26	8.90	1.57	9.80	1.63	10.70	1.69	11.38	1.70
	25	5.83	1.04	7.38	1.36	8.57	1.69	9.46	1.75	10.36	1.81	11.04	1.82
	32	5.36	1.19	6.92	1.51	8.10	1.86	8.99	1.93	9.89	1.99	10.57	2.00
	35	5.16	1.25	6.71	1.57	7.89	1.94	8.79	2.00	9.69	2.06	10.37	2.07
	40	4.83	1.36	6.38	1.68	7.56	2.06	8.46	2.12	9.36	2.18	10.04	2.20
	43	4.62	1.42	6.18	1.74	7.36	2.14	8.26	2.20	9.15	2.26	9.84	2.27
7+7+7+9+12	22	6.17	0.95	7.72	1.26	8.90	1.57	9.80	1.63	10.70	1.69	11.38	1.70
	25	5.83	1.04	7.38	1.36	8.57	1.69	9.46	1.75	10.36	1.81	11.04	1.82
	32	5.36	1.19	6.92	1.51	8.10	1.86	8.99	1.93	9.89	1.99	10.57	2.00
	35	5.16	1.25	6.71	1.57	7.89	1.94	8.79	2.00	9.69	2.06	10.37	2.07
	40	4.83	1.36	6.38	1.68	7.56	2.06	8.46	2.12	9.36	2.18	10.04	2.20
	43	4.62	1.42	6.18	1.74	7.36	2.14	8.26	2.20	9.15	2.26	9.84	2.27
5+5+9+9+15	22	6.17	0.95	7.72	1.26	8.90	1.57	9.80	1.63	10.70	1.69	11.38	1.70
	25	5.83	1.04	7.38	1.36	8.57	1.69	9.46	1.75	10.36	1.81	11.04	1.82
	32	5.36	1.19	6.92	1.51	8.10	1.86	8.99	1.93	9.89	1.99	10.57	2.00
	35	5.16	1.25	6.71	1.57	7.89	1.94	8.79	2.00	9.69	2.06	10.37	2.07
	40	4.83	1.36	6.38	1.68	7.56	2.06	8.46	2.12	9.36	2.18	10.04	2.20
	43	4.62	1.42	6.18	1.74	7.36	2.14	8.26	2.20	9.15	2.26	9.84	2.27
5+7+7+9+15	22	6.17	0.95	7.72	1.26	8.90	1.57	9.80	1.63	10.70	1.69	11.38	1.70
	25	5.83	1.04	7.38	1.36	8.57	1.69	9.46	1.75	10.36	1.81	11.04	1.82
	32	5.36	1.19	6.92	1.51	8.10	1.86	8.99	1.93	9.89	1.99	10.57	2.00
	35	5.16	1.25	6.71	1.57	7.89	1.94	8.79	2.00	9.69	2.06	10.37	2.07
	40	4.83	1.36	6.38	1.68	7.56	2.06	8.46	2.12	9.36	2.18	10.04	2.20
	43	4.62	1.42	6.18	1.74	7.36	2.14	8.26	2.20	9.15	2.26	9.84	2.27
5+7+7+12+12	22	6.17	0.95	7.72	1.26	8.90	1.57	9.80	1.63	10.70	1.69	11.38	1.70
	25	5.83	1.04	7.38	1.36	8.57	1.69	9.46	1.75	10.36	1.81	11.04	1.82
	32	5.36	1.19	6.92	1.51	8.10	1.86	8.99	1.93	9.89	1.99	10.57	2.00
	35	5.16	1.25	6.71	1.57	7.89	1.94	8.79	2.00	9.69	2.06	10.37	2.07
	40	4.83	1.36	6.38	1.68	7.56	2.06	8.46	2.12	9.36	2.18	10.04	2.20
	43	4.62	1.42	6.18	1.74	7.36	2.14	8.26	2.20	9.15	2.26	9.84	2.27
7+7+7+7+15	22	6.17	0.95	7.72	1.26	8.90	1.57	9.80	1.63	10.70	1.69	11.38	1.70
	25	5.83	1.04	7.38	1.36	8.57	1.69	9.46	1.75	10.36	1.81	11.04	1.82
	32	5.36	1.19	6.92	1.51	8.10	1.86	8.99	1.93	9.89	1.99	10.57	2.00
	35	5.16	1.25	6.71	1.57	7.89	1.94	8.79	2.00	9.69	2.06	10.37	2.07
	40	4.83	1.36	6.38	1.68	7.56	2.06	8.46	2.12	9.36	2.18	10.04	2.20
	43	4.62	1.42	6.18	1.74	7.36	2.14	8.26	2.20	9.15	2.26	9.84	2.27
7+9+9+9+9	22	6.17	0.95	7.72	1.26	8.90	1.57	9.80	1.63	10.70	1.69	11.38	1.70
	25	5.83	1.04	7.38	1.36	8.57	1.69	9.46	1.75	10.36	1.81	11.04	1.82
	32	5.36	1.19	6.92	1.51	8.10	1.86	8.99	1.93	9.89	1.99	10.57	2.00
	35	5.16	1.25	6.71	1.57	7.89	1.94	8.79	2.00	9.69	2.06	10.37	2.07
	40	4.83	1.36	6.38	1.68	7.56	2.06	8.46	2.12	9.36	2.18	10.04	2.20
	43	4.62	1.42	6.18	1.74	7.36	2.14	8.26	2.20	9.15	2.26	9.84	2.27
5+5+7+12+15	22	6.17	0.95	7.72	1.26	8.90	1.57	9.80	1.63	10.70	1.69	11.38	1.70
	25	5.83	1.04	7.38	1.36	8.57	1.69	9.46	1.75	10.36	1.81	11.04	1.82
	32	5.36	1.19	6.92	1.51	8.10	1.86	8.99	1.93	9.89	1.99	10.57	2.00
	35	5.16	1.25	6.71	1.57	7.89	1.94	8.79	2.00	9.69	2.06	10.37	2.07
	40	4.83	1.36	6.38	1.68	7.56	2.06	8.46	2.12	9.36	2.18	10.04	2.20
	43	4.62	1.42	6.18	1.74	7.36	2.14	8.26	2.20	9.15	2.26	9.84	2.27
5+5+5+5+24	22	6.17	0.95	7.72	1.26	8.90	1.57	9.80	1.63	10.70	1.69	11.38	1.70
	25	5.83	1.04	7.38	1.36	8.57	1.69	9.46	1.75	10.36	1.81	11.04	1.82
	32	5.36	1.19	6.92	1.51	8.10	1.86	8.99	1.93	9.89	1.99	10.57	2.00
	35	5.16	1.25	6.71	1.57	7.89	1.94	8.79	2.00	9.69	2.06	10.37	2.07
	40	4.83	1.36	6.38	1.68	7.56	2.06	8.46	2.12	9.36	2.18	10.04	2.20
	43	4.62	1.42	6.18	1.74	7.36	2.14	8.26	2.20	9.15	2.26	9.84	2.27
5+5+5+5+24	22	6.17	0.95	7.72	1.26	8.90	1.57	9.80	1.63	10.70	1.69	11.38	1.70
	25	5.83	1.04	7.38	1.36	8.57	1.69	9.46	1.75	10.36	1.81	11.04	1.82
	32	5.36	1.19	6.92	1.51	8.10	1.86	8.99	1.93	9.89	1.99	10.57	2.00
	35	5.16	1.25	6.71	1.57	7.89	1.94	8.79	2.00	9.69	2.06	10.37	2.07
	40	4.83	1.36	6.38	1.68	7.56	2.06	8.46	2.12	9.36	2.18	10.04	2.20
	46	4.42	1.48	5.98	1.80	7.16	2.21	8.16	2.27	9.07	2.33	9.76	2.35

5. Capacity tables

Cooling Capacity [-30G-]

Combination capacity index (kBTu/h)	Outdoor Air Temp. (°CDB)	Indoor Air Temp. (°CWB)											
		14		16		18		19		22		24	
		TC	PI	TC	PI	TC	PI	TC	PI	TC	PI	TC	PI
5+7+7+7+18	22	6.17	0.95	7.72	1.26	8.90	1.57	9.80	1.63	10.70	1.69	11.38	1.70
	25	5.83	1.04	7.38	1.36	8.57	1.69	9.46	1.75	10.36	1.81	11.04	1.82
	32	5.36	1.19	6.92	1.51	8.10	1.86	8.99	1.93	9.89	1.99	10.57	2.00
	35	5.16	1.25	6.71	1.57	7.89	1.94	8.79	2.00	9.69	2.06	10.37	2.07
	40	4.83	1.36	6.38	1.68	7.56	2.06	8.46	2.12	9.36	2.18	10.04	2.20
	43	4.62	1.42	6.18	1.74	7.36	2.14	8.26	2.20	9.15	2.26	9.84	2.27
5+9+9+9+12	22	6.17	0.95	7.72	1.26	8.90	1.57	9.80	1.63	10.70	1.69	11.38	1.70
	25	5.83	1.04	7.38	1.36	8.57	1.69	9.46	1.75	10.36	1.81	11.04	1.82
	32	5.36	1.19	6.92	1.51	8.10	1.86	8.99	1.93	9.89	1.99	10.57	2.00
	35	5.16	1.25	6.71	1.57	7.89	1.94	8.79	2.00	9.69	2.06	10.37	2.07
	40	4.83	1.36	6.38	1.68	7.56	2.06	8.46	2.12	9.36	2.18	10.04	2.20
	43	4.62	1.42	6.18	1.74	7.36	2.14	8.26	2.20	9.15	2.26	9.84	2.27
7+7+9+9+12	22	6.17	0.95	7.72	1.26	8.90	1.57	9.80	1.63	10.70	1.69	11.38	1.70
	25	5.83	1.04	7.38	1.36	8.57	1.69	9.46	1.75	10.36	1.81	11.04	1.82
	32	5.36	1.19	6.92	1.51	8.10	1.86	8.99	1.93	9.89	1.99	10.57	2.00
	35	5.16	1.25	6.71	1.57	7.89	1.94	8.79	2.00	9.69	2.06	10.37	2.07
	40	4.83	1.36	6.38	1.68	7.56	2.06	8.46	2.12	9.36	2.18	10.04	2.20
	43	4.62	1.42	6.18	1.74	7.36	2.14	8.26	2.20	9.15	2.26	9.84	2.27
5+5+5+12+18	22	6.17	0.95	7.72	1.26	8.90	1.57	9.80	1.63	10.70	1.69	11.38	1.70
	25	5.83	1.04	7.38	1.36	8.57	1.69	9.46	1.75	10.36	1.81	11.04	1.82
	32	5.36	1.19	6.92	1.51	8.10	1.86	8.99	1.93	9.89	1.99	10.57	2.00
	35	5.16	1.25	6.71	1.57	7.89	1.94	8.79	2.00	9.69	2.06	10.37	2.07
	40	4.83	1.36	6.38	1.68	7.56	2.06	8.46	2.12	9.36	2.18	10.04	2.20
	43	4.62	1.42	6.18	1.74	7.36	2.14	8.26	2.20	9.15	2.26	9.84	2.27
5+5+5+15+15	22	6.17	0.95	7.72	1.26	8.90	1.57	9.80	1.63	10.70	1.69	11.38	1.70
	25	5.83	1.04	7.38	1.36	8.57	1.69	9.46	1.75	10.36	1.81	11.04	1.82
	32	5.36	1.19	6.92	1.51	8.10	1.86	8.99	1.93	9.89	1.99	10.57	2.00
	35	5.16	1.25	6.71	1.57	7.89	1.94	8.79	2.00	9.69	2.06	10.37	2.07
	40	4.83	1.36	6.38	1.68	7.56	2.06	8.46	2.12	9.36	2.18	10.04	2.20
	43	4.62	1.42	6.18	1.74	7.36	2.14	8.26	2.20	9.15	2.26	9.84	2.27
5+7+9+9+15	22	6.17	0.95	7.72	1.26	8.90	1.57	9.80	1.63	10.70	1.69	11.38	1.70
	25	5.83	1.04	7.38	1.36	8.57	1.69	9.46	1.75	10.36	1.81	11.04	1.82
	32	5.36	1.19	6.92	1.51	8.10	1.86	8.99	1.93	9.89	1.99	10.57	2.00
	35	5.16	1.25	6.71	1.57	7.89	1.94	8.79	2.00	9.69	2.06	10.37	2.07
	40	4.83	1.36	6.38	1.68	7.56	2.06	8.46	2.12	9.36	2.18	10.04	2.20
	43	4.62	1.42	6.18	1.74	7.36	2.14	8.26	2.20	9.15	2.26	9.84	2.27
5+7+9+12+12	22	6.17	0.95	7.72	1.26	8.90	1.57	9.80	1.63	10.70	1.69	11.38	1.70
	25	5.83	1.04	7.38	1.36	8.57	1.69	9.46	1.75	10.36	1.81	11.04	1.82
	32	5.36	1.19	6.92	1.51	8.10	1.86	8.99	1.93	9.89	1.99	10.57	2.00
	35	5.16	1.25	6.71	1.57	7.89	1.94	8.79	2.00	9.69	2.06	10.37	2.07
	40	4.83	1.36	6.38	1.68	7.56	2.06	8.46	2.12	9.36	2.18	10.04	2.20
	43	4.62	1.42	6.18	1.74	7.36	2.14	8.26	2.20	9.15	2.26	9.84	2.27
7+7+7+9+15	22	6.17	0.95	7.72	1.26	8.90	1.57	9.80	1.63	10.70	1.69	11.38	1.70
	25	5.83	1.04	7.38	1.36	8.57	1.69	9.46	1.75	10.36	1.81	11.04	1.82
	32	5.36	1.19	6.92	1.51	8.10	1.86	8.99	1.93	9.89	1.99	10.57	2.00
	35	5.16	1.25	6.71	1.57	7.89	1.94	8.79	2.00	9.69	2.06	10.37	2.07
	40	4.83	1.36	6.38	1.68	7.56	2.06	8.46	2.12	9.36	2.18	10.04	2.20
	43	4.62	1.42	6.18	1.74	7.36	2.14	8.26	2.20	9.15	2.26	9.84	2.27
7+7+7+12+12	22	6.17	0.95	7.72	1.26	8.90	1.57	9.80	1.63	10.70	1.69	11.38	1.70
	25	5.83	1.04	7.38	1.36	8.57	1.69	9.46	1.75	10.36	1.81	11.04	1.82
	32	5.36	1.19	6.92	1.51	8.10	1.86	8.99	1.93	9.89	1.99	10.57	2.00
	35	5.16	1.25	6.71	1.57	7.89	1.94	8.79	2.00	9.69	2.06	10.37	2.07
	40	4.83	1.36	6.38	1.68	7.56	2.06	8.46	2.12	9.36	2.18	10.04	2.20
	43	4.62	1.42	6.18	1.74	7.36	2.14	8.26	2.20	9.15	2.26	9.84	2.27
9+9+9+9+9	22	6.17	0.95	7.72	1.26	8.90	1.57	9.80	1.63	10.70	1.69	11.38	1.70
	25	5.83	1.04	7.38	1.36	8.57	1.69	9.46	1.75	10.36	1.81	11.04	1.82
	32	5.36	1.19	6.92	1.51	8.10	1.86	8.99	1.93	9.89	1.99	10.57	2.00
	35	5.16	1.25	6.71	1.57	7.89	1.94	8.79	2.00	9.69	2.06	10.37	2.07
	40	4.83	1.36	6.38	1.68	7.56	2.06	8.46	2.12	9.36	2.18	10.04	2.20
	43	4.62	1.42	6.18	1.74	7.36	2.14	8.26	2.20	9.15	2.26	9.84	2.27
9+9+9+9+9	22	6.17	0.95	7.72	1.26	8.90	1.57	9.80	1.63	10.70	1.69	11.38	1.70
	25	5.83	1.04	7.38	1.36	8.57	1.69	9.46	1.75	10.36	1.81	11.04	1.82
	32	5.36	1.19	6.92	1.51	8.10	1.86	8.99	1.93	9.89	1.99	10.57	2.00
	35	5.16	1.25	6.71	1.57	7.89	1.94	8.79	2.00	9.69	2.06	10.37	2.07
	40	4.83	1.36	6.38	1.68	7.56	2.06	8.46	2.12	9.36	2.18	10.04	2.20
	46	4.42	1.48	5.98	1.80	7.16	2.21	8.16	2.27	9.07	2.33	9.76	2.35

5. Capacity tables

Cooling Capacity [-30G-]

Combination capacity index (kBTu/h)	Outdoor Air Temp. (°CDB)	Indoor Air Temp. (°CWB)											
		14		16		18		19		22		24	
		TC	PI	TC	PI	TC	PI	TC	PI	TC	PI	TC	PI
5+5+5+7+24	22	6.17	0.95	7.72	1.26	8.90	1.57	9.80	1.63	10.70	1.69	11.38	1.70
	25	5.83	1.04	7.38	1.36	8.57	1.69	9.46	1.75	10.36	1.81	11.04	1.82
	32	5.36	1.19	6.92	1.51	8.10	1.86	8.99	1.93	9.89	1.99	10.57	2.00
	35	5.16	1.25	6.71	1.57	7.89	1.94	8.79	2.00	9.69	2.06	10.37	2.07
	40	4.83	1.36	6.38	1.68	7.56	2.06	8.46	2.12	9.36	2.18	10.04	2.20
	43	4.62	1.42	6.18	1.74	7.36	2.14	8.26	2.20	9.15	2.26	9.84	2.27
5+5+9+9+18	22	6.17	0.95	7.72	1.26	8.90	1.57	9.80	1.63	10.70	1.69	11.38	1.70
	25	5.83	1.04	7.38	1.36	8.57	1.69	9.46	1.75	10.36	1.81	11.04	1.82
	32	5.36	1.19	6.92	1.51	8.10	1.86	8.99	1.93	9.89	1.99	10.57	2.00
	35	5.16	1.25	6.71	1.57	7.89	1.94	8.79	2.00	9.69	2.06	10.37	2.07
	40	4.83	1.36	6.38	1.68	7.56	2.06	8.46	2.12	9.36	2.18	10.04	2.20
	43	4.62	1.42	6.18	1.74	7.36	2.14	8.26	2.20	9.15	2.26	9.84	2.27
5+5+9+12+15	22	6.17	0.95	7.72	1.26	8.90	1.57	9.80	1.63	10.70	1.69	11.38	1.70
	25	5.83	1.04	7.38	1.36	8.57	1.69	9.46	1.75	10.36	1.81	11.04	1.82
	32	5.36	1.19	6.92	1.51	8.10	1.86	8.99	1.93	9.89	1.99	10.57	2.00
	35	5.16	1.25	6.71	1.57	7.89	1.94	8.79	2.00	9.69	2.06	10.37	2.07
	40	4.83	1.36	6.38	1.68	7.56	2.06	8.46	2.12	9.36	2.18	10.04	2.20
	43	4.62	1.42	6.18	1.74	7.36	2.14	8.26	2.20	9.15	2.26	9.84	2.27
5+5+12+12+12	22	6.17	0.95	7.72	1.26	8.90	1.57	9.80	1.63	10.70	1.69	11.38	1.70
	25	5.83	1.04	7.38	1.36	8.57	1.69	9.46	1.75	10.36	1.81	11.04	1.82
	32	5.36	1.19	6.92	1.51	8.10	1.86	8.99	1.93	9.89	1.99	10.57	2.00
	35	5.16	1.25	6.71	1.57	7.89	1.94	8.79	2.00	9.69	2.06	10.37	2.07
	40	4.83	1.36	6.38	1.68	7.56	2.06	8.46	2.12	9.36	2.18	10.04	2.20
	43	4.62	1.42	6.18	1.74	7.36	2.14	8.26	2.20	9.15	2.26	9.84	2.27
5+7+7+9+18	22	6.17	0.95	7.72	1.26	8.90	1.57	9.80	1.63	10.70	1.69	11.38	1.70
	25	5.83	1.04	7.38	1.36	8.57	1.69	9.46	1.75	10.36	1.81	11.04	1.82
	32	5.36	1.19	6.92	1.51	8.10	1.86	8.99	1.93	9.89	1.99	10.57	2.00
	35	5.16	1.25	6.71	1.57	7.89	1.94	8.79	2.00	9.69	2.06	10.37	2.07
	40	4.83	1.36	6.38	1.68	7.56	2.06	8.46	2.12	9.36	2.18	10.04	2.20
	43	4.62	1.42	6.18	1.74	7.36	2.14	8.26	2.20	9.15	2.26	9.84	2.27
5+7+7+12+15	22	6.17	0.95	7.72	1.26	8.90	1.57	9.80	1.63	10.70	1.69	11.38	1.70
	25	5.83	1.04	7.38	1.36	8.57	1.69	9.46	1.75	10.36	1.81	11.04	1.82
	32	5.36	1.19	6.92	1.51	8.10	1.86	8.99	1.93	9.89	1.99	10.57	2.00
	35	5.16	1.25	6.71	1.57	7.89	1.94	8.79	2.00	9.69	2.06	10.37	2.07
	40	4.83	1.36	6.38	1.68	7.56	2.06	8.46	2.12	9.36	2.18	10.04	2.20
	43	4.62	1.42	6.18	1.74	7.36	2.14	8.26	2.20	9.15	2.26	9.84	2.27
7+7+7+7+18	22	6.17	0.95	7.72	1.26	8.90	1.57	9.80	1.63	10.70	1.69	11.38	1.70
	25	5.83	1.04	7.38	1.36	8.57	1.69	9.46	1.75	10.36	1.81	11.04	1.82
	32	5.36	1.19	6.92	1.51	8.10	1.86	8.99	1.93	9.89	1.99	10.57	2.00
	35	5.16	1.25	6.71	1.57	7.89	1.94	8.79	2.00	9.69	2.06	10.37	2.07
	40	4.83	1.36	6.38	1.68	7.56	2.06	8.46	2.12	9.36	2.18	10.04	2.20
	43	4.62	1.42	6.18	1.74	7.36	2.14	8.26	2.20	9.15	2.26	9.84	2.27
7+9+9+9+12	22	6.17	0.95	7.72	1.26	8.90	1.57	9.80	1.63	10.70	1.69	11.38	1.70
	25	5.83	1.04	7.38	1.36	8.57	1.69	9.46	1.75	10.36	1.81	11.04	1.82
	32	5.36	1.19	6.92	1.51	8.10	1.86	8.99	1.93	9.89	1.99	10.57	2.00
	35	5.16	1.25	6.71	1.57	7.89	1.94	8.79	2.00	9.69	2.06	10.37	2.07
	40	4.83	1.36	6.38	1.68	7.56	2.06	8.46	2.12	9.36	2.18	10.04	2.20
	43	4.62	1.42	6.18	1.74	7.36	2.14	8.26	2.20	9.15	2.26	9.84	2.27
5+5+7+15+15	22	6.17	0.95	7.72	1.26	8.90	1.57	9.80	1.63	10.70	1.69	11.38	1.70
	25	5.83	1.04	7.38	1.36	8.57	1.69	9.46	1.75	10.36	1.81	11.04	1.82
	32	5.36	1.19	6.92	1.51	8.10	1.86	8.99	1.93	9.89	1.99	10.57	2.00
	35	5.16	1.25	6.71	1.57	7.89	1.94	8.79	2.00	9.69	2.06	10.37	2.07
	40	4.83	1.36	6.38	1.68	7.56	2.06	8.46	2.12	9.36	2.18	10.04	2.20
	43	4.62	1.42	6.18	1.74	7.36	2.14	8.26	2.20	9.15	2.26	9.84	2.27
5+9+9+9+15	22	6.17	0.95	7.72	1.26	8.90	1.57	9.80	1.63	10.70	1.69	11.38	1.70
	25	5.83	1.04	7.38	1.36	8.57	1.69	9.46	1.75	10.36	1.81	11.04	1.82
	32	5.36	1.19	6.92	1.51	8.10	1.86	8.99	1.93	9.89	1.99	10.57	2.00
	35	5.16	1.25	6.71	1.57	7.89	1.94	8.79	2.00	9.69	2.06	10.37	2.07
	40	4.83	1.36	6.38	1.68	7.56	2.06	8.46	2.12	9.36	2.18	10.04	2.20
	43	4.62	1.42	6.18	1.74	7.36	2.14	8.26	2.20	9.15	2.26	9.84	2.27
5+9+9+9+15	22	6.17	0.95	7.72	1.26	8.90	1.57	9.80	1.63	10.70	1.69	11.38	1.70
	25	5.83	1.04	7.38	1.36	8.57	1.69	9.46	1.75	10.36	1.81	11.04	1.82
	32	5.36	1.19	6.92	1.51	8.10	1.86	8.99	1.93	9.89	1.99	10.57	2.00
	35	5.16	1.25	6.71	1.57	7.89	1.94	8.79	2.00	9.69	2.06	10.37	2.07
	40	4.83	1.36	6.38	1.68	7.56	2.06	8.46	2.12	9.36	2.18	10.04	2.20
	46	4.42	1.48	5.98	1.80	7.16	2.21	8.16	2.27	9.07	2.33	9.76	2.35

5. Capacity tables

Cooling Capacity [-30G-]

Combination capacity index (kBtu/h)	Outdoor Air Temp. (°CDB)	Indoor Air Temp. (°CWB)											
		14		16		18		19		22		24	
		TC	PI	TC	PI	TC	PI	TC	PI	TC	PI	TC	PI
9+9+9+9+12	22	6.17	0.95	7.72	1.26	8.90	1.57	9.80	1.63	10.70	1.69	11.38	1.70
	25	5.83	1.04	7.38	1.36	8.57	1.69	9.46	1.75	10.36	1.81	11.04	1.82
	32	5.36	1.19	6.92	1.51	8.10	1.86	8.99	1.93	9.89	1.99	10.57	2.00
	35	5.16	1.25	6.71	1.57	7.89	1.94	8.79	2.00	9.69	2.06	10.37	2.07
	40	4.83	1.36	6.38	1.68	7.56	2.06	8.46	2.12	9.36	2.18	10.04	2.20
	43	4.62	1.42	6.18	1.74	7.36	2.14	8.26	2.20	9.15	2.26	9.84	2.27
	46	4.42	1.48	5.98	1.80	7.16	2.21	8.16	2.27	9.07	2.33	9.76	2.35
7+7+7+9+18	22	6.17	0.95	7.72	1.26	8.90	1.57	9.80	1.63	10.70	1.69	11.38	1.70
	25	5.83	1.04	7.38	1.36	8.57	1.69	9.46	1.75	10.36	1.81	11.04	1.82
	32	5.36	1.19	6.92	1.51	8.10	1.86	8.99	1.93	9.89	1.99	10.57	2.00
	35	5.16	1.25	6.71	1.57	7.89	1.94	8.79	2.00	9.69	2.06	10.37	2.07
	40	4.83	1.36	6.38	1.68	7.56	2.06	8.46	2.12	9.36	2.18	10.04	2.20
	43	4.62	1.42	6.18	1.74	7.36	2.14	8.26	2.20	9.15	2.26	9.84	2.27
	46	4.42	1.48	5.98	1.80	7.16	2.21	8.16	2.27	9.07	2.33	9.76	2.35

Note

1. DB : Dry bulb temperature(°C), WB : Wet bulb temperature(°C)
2. TC : Total capacity(kW)
3. PI : Power Input (kW, Compressor + indoor fan motor + outdoor fan motor)
4. All capacities are net. A deduction (cooling mode) or an addition (heating mode) of Capacity due to operating heat of indoor unit motor is reflected.
5. Capacities are based on the following conditions ;
 - Interconnecting Piping Length (Both Main pipe and Branch pipe) is standard length.
 - Difference of Elevation (Outdoor ~ Indoor Unit) is 0 m.
6. Direct interpolation is permissible. Do not extrapolate.
7. Rated capacities and power inputs are based on standard temperature and piping conditions, and it can be found on specifications table. Except for rated value, the performance is not guaranteed.
8. In accordance with the test standard(or nations) and indoor unit's combinations, the rating will vary slightly.

5. Capacity tables

◆ Heating Capacity

Heating Capacity [-30G-]

Combination Capacity Index (kBtu/h)	Outdoor Air Temp. (°CWB)	Indoor Air Temp. (°CDB)											
		16.0		18.0		20.0		21.0		22.0		24.0	
		TC	PI	TC	PI	TC	PI	TC	PI	TC	PI	TC	PI
1 Unit Operation													
5	-15.0	1.78	1.63	1.70	1.60	1.61	1.57	1.58	1.56	1.55	1.54	1.48	1.51
	-10.0	1.78	1.40	1.70	1.37	1.61	1.34	1.58	1.33	1.55	1.31	1.48	1.28
	-5.0	1.78	1.18	1.70	1.14	1.61	1.11	1.58	1.10	1.55	1.08	1.48	1.05
	0.0	1.78	0.95	1.70	0.92	1.61	0.88	1.58	0.87	1.55	0.85	1.48	0.82
	6.0	1.78	0.67	1.70	0.64	1.61	0.61	1.58	0.59	1.55	0.58	1.48	0.55
	10.0	1.78	0.62	1.70	0.59	1.61	0.57	1.58	0.55	1.55	0.54	1.48	0.51
7	-15.0	1.78	0.56	1.70	0.54	1.61	0.51	1.58	0.50	1.55	0.48	1.48	0.46
	-10.0	2.73	1.70	2.59	1.67	2.46	1.64	2.41	1.62	2.36	1.61	2.27	1.58
	-5.0	2.73	1.47	2.59	1.43	2.46	1.40	2.41	1.39	2.36	1.37	2.27	1.34
	0.0	2.73	1.23	2.59	1.19	2.46	1.16	2.41	1.15	2.36	1.13	2.27	1.10
	6.0	2.73	0.99	2.59	0.96	2.46	0.92	2.41	0.91	2.36	0.89	2.27	0.86
	10.0	2.73	0.70	2.59	0.67	2.46	0.64	2.41	0.62	2.36	0.60	2.27	0.57
9	15.0	2.73	0.65	2.59	0.62	2.46	0.59	2.41	0.58	2.36	0.56	2.27	0.53
	-15.0	3.50	0.58	2.59	0.56	2.46	0.53	2.41	0.52	2.36	0.50	2.27	0.48
	-10.0	3.50	2.06	3.33	2.17	3.17	2.13	3.10	2.11	3.04	2.09	2.91	2.05
	-5.0	3.50	1.90	3.33	1.86	3.17	1.82	3.10	1.80	3.04	1.78	2.91	1.74
	0.0	3.50	1.59	3.33	1.55	3.17	1.51	3.10	1.49	3.04	1.47	2.91	1.43
	6.0	3.50	1.28	3.33	1.24	3.17	1.20	3.10	1.18	3.04	1.16	2.91	1.12
12	10.0	3.50	0.91	3.33	0.87	3.17	0.83	3.10	0.81	3.04	0.78	2.91	0.74
	-15.0	4.28	0.84	3.33	0.80	3.17	0.77	3.10	0.75	3.04	0.73	2.91	0.69
	-10.0	4.28	0.76	3.33	0.72	3.17	0.69	3.10	0.67	3.04	0.66	2.91	0.62
	-5.0	4.28	2.08	4.08	2.18	3.87	2.29	3.79	2.34	3.71	2.40	3.56	2.50
	0.0	4.28	2.29	4.08	2.30	3.87	2.25	3.79	2.22	3.71	2.20	3.56	2.15
	6.0	4.28	1.97	4.08	1.92	3.87	1.86	3.79	1.84	3.71	1.81	3.56	1.76
15	10.0	4.28	1.58	4.08	1.53	3.87	1.48	3.79	1.46	3.71	1.43	3.56	1.38
	15.0	4.28	1.12	4.08	1.07	3.87	1.02	3.79	1.00	3.71	0.97	3.56	0.92
	-15.0	4.28	1.04	4.08	0.99	3.87	0.95	3.79	0.92	3.71	0.90	3.56	0.85
	-10.0	4.28	0.94	4.08	0.90	3.87	0.85	3.79	0.83	3.71	0.81	3.56	0.77
	-5.0	5.35	2.10	5.09	2.21	4.84	2.31	4.74	2.37	4.64	2.42	4.45	2.53
	0.0	5.35	2.31	5.09	2.42	4.84	2.53	4.74	2.58	4.64	2.63	4.45	2.69
18	6.0	5.35	2.46	5.09	2.40	4.84	2.34	4.74	2.30	4.64	2.27	4.45	2.21
	10.0	5.35	1.98	5.09	1.92	4.84	1.86	4.74	1.82	4.64	1.79	4.45	1.73
	15.0	5.35	1.41	5.09	1.34	4.84	1.28	4.74	1.25	4.64	1.22	4.45	1.15
	-15.0	6.28	1.30	5.09	1.25	4.84	1.19	4.74	1.16	4.64	1.13	4.45	1.07
	-10.0	6.28	1.18	5.09	1.12	4.84	1.07	4.74	1.04	4.64	1.02	4.45	0.96
	-5.0	6.28	2.12	6.11	2.23	5.80	2.34	5.69	2.39	5.57	2.44	5.34	2.55
24	0.0	6.42	2.34	6.11	2.44	5.80	2.55	5.69	2.61	5.57	2.66	5.34	2.77
	6.0	6.42	2.55	6.11	2.66	5.80	2.77	5.69	2.82	5.57	2.80	5.34	2.72
	10.0	6.42	2.45	6.11	2.37	5.80	2.29	5.69	2.25	5.57	2.21	5.34	2.13
	15.0	6.42	1.74	6.11	1.66	5.80	1.58	5.69	1.54	5.57	1.50	5.34	1.42
	-15.0	6.42	1.61	6.11	1.53	5.80	1.46	5.69	1.43	5.57	1.39	5.34	1.32
	-10.0	6.42	1.45	6.11	1.38	5.80	1.32	5.69	1.28	5.57	1.25	5.34	1.19
5+5	-5.0	6.39	2.16	6.34	2.27	6.29	2.38	6.27	2.43	6.25	2.49	6.21	2.60
	0.0	7.57	2.38	7.52	2.49	7.44	2.60	7.30	2.65	7.15	2.71	6.85	2.82
	6.0	8.24	2.60	7.84	2.71	7.44	2.82	7.30	2.87	7.15	2.93	6.85	3.04
	10.0	8.24	2.82	7.84	2.93	7.44	3.01	7.30	2.96	7.15	2.88	6.85	2.73
	15.0	8.24	2.29	7.84	2.18	7.44	2.08	7.30	2.03	7.15	1.97	6.85	1.87
	-15.0	8.24	2.12	7.84	2.02	7.44	1.93	7.30	1.88	7.15	1.83	6.85	1.73
5+7	15.0	8.24	1.91	7.84	1.82	7.44	1.74	7.30	1.69	7.15	1.65	6.85	1.56
	-15.0	3.89	2.07	3.71	2.03	3.52	1.99	3.45	1.97	3.38	1.95	3.24	1.91
	-10.0	3.89	1.78	3.71	1.74	3.52	1.70	3.45	1.68	3.38	1.66	3.24	1.62
	-5.0	3.89	1.49	3.71	1.45	3.52	1.41	3.45	1.39	3.38	1.37	3.24	1.33
	0.0	3.89	1.20	3.71	1.16	3.52	1.12	3.45	1.10	3.38	1.08	3.24	1.04
	6.0	3.89	0.85	3.71	0.81	3.52	0.77	3.45	0.75	3.38	0.73	3.24	0.70
5+9	10.0	3.89	0.79	3.71	0.75	3.52	0.72	3.45	0.70	3.38	0.68	3.24	0.64
	15.0	3.89	0.71	3.71	0.68	3.52	0.65	3.45	0.63	3.38	0.61	3.24	0.58
	-15.0	4.67	2.09	4.45	2.19	4.22	2.30	4.14	2.35	4.05	2.38	3.88	2.33
	-10.0	4.67	2.16	4.45	2.12	4.22	2.07	4.14	2.05	4.05	2.02	3.88	1.98
	-5.0	4.67	1.81	4.45	1.76	4.22	1.72	4.14	1.69	4.05	1.67	3.88	1.62
	0.0	4.67	1.46	4.45	1.41	4.22	1.36	4.14	1.34	4.05	1.32	3.88	1.27
5+9	6.0	4.67	1.03	4.45	0.99	4.22	0.94	4.14	0.92	4.05	0.89	3.88	0.85
	10.0	4.67	0.96	4.45	0.92	4.22	0.87	4.14	0.85	4.05	0.83	3.88	0.78
	15.0	4.67	0.86	4.45	0.82	4.22	0.79	4.14	0.77	4.05	0.75	3.88	0.71
	-15.0	5.45	2.10	5.19	2.21	4.92	2.31	4.83	2.37	4.73	2.42	4.53	2.53
	-10.0	5.45	2.31	5.19	2.42	4.92	2.45	4.83	2.42	4.73	2.39	4.53	2.34
	-5.0	5.45	2.14	5.19	2.09	4.92	2.03	4.83	2.00	4.73	1.98	4.53	1.92
5+9	0.0	5.45	1.73	5.19	1.67	4.92	1.61	4.83	1.59	4.73	1.56	4.53	1.50
	6.0	5.45	1.22	5.19	1.17	4.92	1.11	4.83	1.08	4.73	1.06	4.53	1.00
	10.0	5.45	1.13	5.19	1.08	4.92	1.03	4.83	1.01	4.73	0.98	4.53	0.93
	15.0	5.45	1.02	5.19	0.98	4.92	0.93	4.83	0.91	4.73	0.88	4.53	0.84

5. Capacity tables

Heating Capacity [-30G-]

Combination Capacity Index (kBtu/h)	Outdoor Air Temp. (°WB)	Indoor Air Temp. (°DB)											
		16.0		18.0		20.0		21.0		22.0		24.0	
		TC	PI	TC	PI	TC	PI	TC	PI	TC	PI	TC	PI
7+7	-15.0	5.45	2.10	5.19	2.21	4.92	2.31	4.83	2.37	4.73	2.42	4.53	2.53
	-10.0	5.45	2.31	5.19	2.42	4.92	2.45	4.83	2.42	4.73	2.39	4.53	2.34
	-5.0	5.45	2.14	5.19	2.09	4.92	2.03	4.83	2.00	4.73	1.98	4.53	1.92
	0.0	5.45	1.73	5.19	1.67	4.92	1.61	4.83	1.59	4.73	1.56	4.53	1.50
	6.0	5.45	1.22	5.19	1.17	4.92	1.11	4.83	1.08	4.73	1.06	4.53	1.00
	10.0	5.45	1.13	5.19	1.08	4.92	1.03	4.83	1.01	4.73	0.98	4.53	0.93
7+9	-15.0	6.23	2.12	5.93	2.22	5.63	2.33	5.51	2.39	5.40	2.44	5.18	2.55
	-10.0	6.23	2.33	5.93	2.44	5.63	2.55	5.51	2.60	5.40	2.66	5.18	2.71
	-5.0	6.23	2.48	5.93	2.42	5.63	2.35	5.51	2.32	5.40	2.29	5.18	2.23
	0.0	6.23	2.00	5.93	1.93	5.63	1.87	5.51	1.84	5.40	1.81	5.18	1.74
	6.0	6.23	1.42	5.93	1.35	5.63	1.29	5.51	1.26	5.40	1.22	5.18	1.16
	10.0	6.23	1.31	5.93	1.25	5.63	1.19	5.51	1.16	5.40	1.14	5.18	1.08
5+12	-15.0	6.29	2.12	6.25	2.23	5.98	2.34	5.86	2.39	5.74	2.45	5.50	2.56
	-10.0	6.62	2.34	6.30	2.45	5.98	2.56	5.86	2.61	5.74	2.67	5.50	2.77
	-5.0	6.62	2.56	6.30	2.61	5.98	2.54	5.86	2.51	5.74	2.47	5.50	2.40
	0.0	6.62	2.16	6.30	2.09	5.98	2.02	5.86	1.98	5.74	1.95	5.50	1.88
	6.0	6.62	1.53	6.30	1.46	5.98	1.39	5.86	1.36	5.74	1.32	5.50	1.25
	10.0	6.62	1.42	6.30	1.36	5.98	1.29	5.86	1.26	5.74	1.23	5.50	1.16
9+9	-15.0	6.31	2.13	6.27	2.24	6.22	2.35	6.20	2.40	6.08	2.46	5.82	2.57
	-10.0	7.01	2.35	6.67	2.46	6.33	2.57	6.20	2.62	6.08	2.67	5.82	2.78
	-5.0	7.01	2.57	6.67	2.67	6.33	2.69	6.20	2.65	6.08	2.61	5.82	2.54
	0.0	7.01	2.28	6.67	2.21	6.33	2.13	6.20	2.10	6.08	2.06	5.82	1.99
	6.0	7.01	1.62	6.67	1.54	6.33	1.47	6.20	1.43	6.08	1.40	5.82	1.32
	10.0	7.01	1.50	6.67	1.43	6.33	1.36	6.20	1.33	6.08	1.29	5.82	1.23
7+12	-15.0	6.34	2.14	6.29	2.25	6.25	2.36	6.23	2.41	6.21	2.47	6.15	2.58
	-10.0	7.40	2.36	7.04	2.47	6.68	2.58	6.55	2.63	6.42	2.68	6.15	2.79
	-5.0	7.40	2.58	7.04	2.68	6.68	2.79	6.55	2.84	6.42	2.80	6.15	2.72
	0.0	7.40	2.45	7.04	2.37	6.68	2.29	6.55	2.25	6.42	2.21	6.15	2.13
	6.0	7.40	1.73	7.04	1.66	6.68	1.58	6.55	1.54	6.42	1.50	6.15	1.42
	10.0	7.40	1.61	7.04	1.53	6.68	1.46	6.55	1.42	6.42	1.39	6.15	1.32
5+15	-15.0	6.36	2.15	6.31	2.26	6.27	2.37	6.25	2.42	6.23	2.48	6.19	2.58
	-10.0	7.54	2.37	7.41	2.48	7.03	2.58	6.89	2.64	6.75	2.69	6.47	2.80
	-5.0	7.79	2.58	7.41	2.69	7.03	2.80	6.89	2.86	6.75	2.91	6.47	2.86
	0.0	7.79	2.57	7.41	2.49	7.03	2.40	6.89	2.36	6.75	2.32	6.47	2.24
	6.0	7.79	1.82	7.41	1.74	7.03	1.66	6.89	1.62	6.75	1.57	6.47	1.49
	10.0	7.79	1.69	7.41	1.61	7.03	1.54	6.89	1.50	6.75	1.46	6.47	1.38
9+12	-15.0	6.38	2.15	6.34	2.26	6.29	2.37	6.27	2.43	6.25	2.48	6.21	2.59
	-10.0	7.56	2.37	7.52	2.48	7.39	2.59	7.24	2.65	7.09	2.70	6.80	2.81
	-5.0	8.18	2.59	7.78	2.70	7.39	2.81	7.24	2.87	7.09	2.92	6.80	3.03
	0.0	8.18	2.74	7.78	2.65	7.39	2.56	7.24	2.52	7.09	2.47	6.80	2.39
	6.0	8.18	1.94	7.78	1.85	7.39	1.77	7.24	1.72	7.09	1.68	6.80	1.59
	10.0	8.18	1.80	7.78	1.72	7.39	1.64	7.24	1.60	7.09	1.55	6.80	1.47
7+15	-15.0	6.40	2.16	6.36	2.27	6.31	2.38	6.29	2.44	6.27	2.49	6.23	2.60
	-10.0	7.59	2.38	7.55	2.49	7.50	2.60	7.48	2.66	7.43	2.71	7.12	2.82
	-5.0	8.57	2.60	8.15	2.71	7.74	2.82	7.58	2.88	7.43	2.93	7.12	3.04
	0.0	8.57	2.82	8.15	2.77	7.74	2.68	7.58	2.64	7.43	2.59	7.12	2.50
	6.0	8.57	2.03	8.15	1.94	7.74	1.85	7.58	1.80	7.43	1.76	7.12	1.66
	10.0	8.57	1.89	8.15	1.80	7.74	1.71	7.58	1.67	7.43	1.63	7.12	1.54
5+18	-15.0	6.43	2.17	6.38	2.28	6.34	2.39	6.32	2.45	6.30	2.50	6.25	2.61
	-10.0	7.62	2.39	7.57	2.50	7.53	2.61	7.51	2.67	7.49	2.72	7.44	2.83
	-5.0	8.81	2.61	8.52	2.72	8.09	2.83	7.93	2.89	7.77	2.94	7.44	3.05
	0.0	8.95	2.83	8.52	2.94	8.09	2.84	7.93	2.79	7.77	2.75	7.44	2.65
	6.0	8.95	2.16	8.52	2.06	8.09	1.96	7.93	1.91	7.77	1.86	7.44	1.76
	10.0	8.95	2.00	8.52	1.91	8.09	1.82	7.93	1.77	7.77	1.73	7.44	1.64
9+15	-15.0	6.45	2.18	6.40	2.29	6.36	2.40	6.34	2.46	6.32	2.51	6.28	2.62
	-10.0	7.65	2.40	7.60	2.51	7.55	2.62	7.53	2.68	7.51	2.73	7.47	2.84
	-5.0	8.84	2.62	8.79	2.73	8.44	2.84	8.27	2.90	8.10	2.95	7.77	3.07
	0.0	9.34	2.84	8.89	2.95	8.44	2.97	8.27	2.92	8.10	2.86	7.77	2.76
	6.0	9.34	2.25	8.89	2.15	8.44	2.04	8.27	1.99	8.10	1.94	7.77	1.84
	10.0	9.34	2.09	8.89	1.99	8.44	1.90	8.27	1.85	8.10	1.80	7.77	1.71
	15.0	9.34	1.88	8.89	1.79	8.44	1.71	8.27	1.67	8.10	1.62	7.77	1.54

5. Capacity tables

Heating Capacity [-30G-]

Combination Capacity Index (kBtu/h)	Outdoor Air Temp. (°WB)	Indoor Air Temp. (°DB)											
		16.0		18.0		20.0		21.0		22.0		24.0	
		TC	PI	TC	PI	TC	PI	TC	PI	TC	PI	TC	PI
12+12	-15.0	6.45	2.18	6.40	2.29	6.36	2.40	6.34	2.46	6.32	2.51	6.28	2.62
	-10.0	7.65	2.40	7.60	2.51	7.55	2.62	7.53	2.68	7.51	2.73	7.47	2.84
	-5.0	8.84	2.62	8.79	2.73	8.44	2.84	8.27	2.90	8.10	2.95	7.77	3.07
	0.0	9.34	2.84	8.89	2.95	8.44	2.97	8.27	2.92	8.10	2.86	7.77	2.76
	6.0	9.34	2.25	8.89	2.15	8.44	2.04	8.27	1.99	8.10	1.94	7.77	1.84
	10.0	9.34	2.09	8.89	1.99	8.44	1.90	8.27	1.85	8.10	1.80	7.77	1.71
7+18	15.0	9.34	1.88	8.89	1.79	8.44	1.71	8.27	1.67	8.10	1.62	7.77	1.54
	-15.0	6.47	2.26	6.43	2.38	6.38	2.49	6.36	2.55	6.34	2.61	6.30	2.72
	-10.0	7.67	2.49	7.63	2.61	7.58	2.72	7.56	2.78	7.54	2.84	7.50	2.95
	-5.0	8.87	2.72	8.83	2.84	8.78	2.95	8.62	3.01	8.44	3.07	8.09	3.18
	0.0	9.73	2.95	9.26	3.07	8.79	3.18	8.62	3.10	8.44	3.02	8.09	2.87
	6.0	9.73	2.41	9.26	2.30	8.79	2.19	8.62	2.14	8.44	2.08	8.09	1.98
9+18	10.0	9.73	2.24	9.26	2.14	8.79	2.03	8.62	1.98	8.44	1.93	8.09	1.83
	15.0	9.73	2.02	9.26	1.92	8.79	1.83	8.62	1.79	8.44	1.74	8.09	1.65
	-15.0	6.52	2.66	6.47	2.79	6.43	2.93	6.41	3.00	6.38	3.06	6.34	3.20
	-10.0	7.73	2.93	7.68	3.06	7.63	3.20	7.61	3.27	7.59	3.33	7.55	3.47
	-5.0	8.93	3.20	8.89	3.33	8.84	3.47	8.82	3.54	8.80	3.61	8.74	3.74
	0.0	10.14	3.47	10.00	3.61	9.50	3.74	9.31	3.65	9.12	3.55	8.74	3.37
12+15	6.0	10.51	2.84	10.00	2.71	9.50	2.58	9.31	2.51	9.12	2.45	8.74	2.32
	10.0	10.51	2.63	10.00	2.51	9.50	2.39	9.31	2.33	9.12	2.27	8.74	2.15
	15.0	10.51	2.37	10.00	2.26	9.50	2.15	9.31	2.10	9.12	2.05	8.74	1.94
	-15.0	6.52	2.66	6.47	2.79	6.43	2.93	6.41	3.00	6.38	3.06	6.34	3.20
	-10.0	7.73	2.93	7.68	3.06	7.63	3.20	7.61	3.27	7.59	3.33	7.55	3.47
	-5.0	8.93	3.20	8.89	3.33	8.84	3.47	8.82	3.54	8.80	3.61	8.74	3.74
5+24	0.0	10.14	3.47	10.00	3.61	9.50	3.74	9.31	3.65	9.12	3.55	8.74	3.37
	6.0	11.19	3.32	10.65	3.17	10.11	3.02	9.91	2.95	9.71	2.87	9.30	2.72
	10.0	11.19	3.08	10.65	2.94	10.11	2.80	9.91	2.73	9.71	2.66	9.30	2.52
	15.0	11.19	2.78	10.65	2.65	10.11	2.52	9.91	2.46	9.71	2.40	9.30	2.27
	-15.0	6.56	3.11	6.51	3.27	6.47	3.43	6.44	3.51	6.42	3.59	6.38	3.75
	-10.0	7.77	3.43	7.73	3.59	7.68	3.75	7.66	3.83	7.64	3.91	7.60	4.06
12+18	-5.0	8.99	3.75	8.94	3.91	8.90	4.06	8.88	4.14	8.85	4.22	8.81	4.38
	0.0	10.20	4.06	10.16	4.22	10.11	4.38	9.91	4.27	9.71	4.16	9.30	3.94
	6.0	11.19	3.32	10.65	3.17	10.11	3.02	9.91	2.95	9.71	2.87	9.30	2.72
	10.0	11.19	3.08	10.65	2.94	10.11	2.80	9.91	2.73	9.71	2.66	9.30	2.52
	15.0	11.19	2.78	10.65	2.65	10.11	2.52	9.91	2.46	9.71	2.40	9.30	2.27
	-15.0	6.56	3.11	6.51	3.27	6.47	3.43	6.44	3.51	6.42	3.59	6.38	3.75
15+15	-10.0	7.77	3.43	7.73	3.59	7.68	3.75	7.66	3.83	7.64	3.91	7.60	4.06
	-5.0	8.99	3.75	8.94	3.91	8.90	4.06	8.88	4.14	8.85	4.22	8.81	4.38
	0.0	10.20	4.06	10.16	4.22	10.11	4.38	9.91	4.27	9.71	4.16	9.30	3.94
	6.0	11.19	3.32	10.65	3.17	10.11	3.02	9.91	2.95	9.71	2.87	9.30	2.72
	10.0	11.19	3.08	10.65	2.94	10.11	2.80	9.91	2.73	9.71	2.66	9.30	2.52
	15.0	11.19	2.78	10.65	2.65	10.11	2.52	9.91	2.46	9.71	2.40	9.30	2.27
7+24	-15.0	6.56	3.11	6.51	3.27	6.47	3.43	6.44	3.51	6.42	3.59	6.38	3.75
	-10.0	7.77	3.43	7.73	3.59	7.68	3.75	7.66	3.83	7.64	3.91	7.60	4.06
	-5.0	8.99	3.75	8.94	3.91	8.90	4.06	8.88	4.14	8.85	4.22	8.81	4.38
	0.0	10.20	4.06	10.16	4.22	10.11	4.38	9.91	4.27	9.71	4.16	9.30	3.94
	6.0	11.19	3.32	10.65	3.17	10.11	3.02	9.91	2.95	9.71	2.87	9.30	2.72
	10.0	11.19	3.08	10.65	2.94	10.11	2.80	9.91	2.73	9.71	2.66	9.30	2.52
9+24	15.0	11.19	2.78	10.65	2.65	10.11	2.52	9.91	2.46	9.71	2.40	9.30	2.27
	-15.0	6.56	3.11	6.51	3.27	6.47	3.43	6.44	3.51	6.42	3.59	6.38	3.75
	-10.0	7.77	3.43	7.73	3.59	7.68	3.75	7.66	3.83	7.64	3.91	7.60	4.06
	-5.0	8.99	3.75	8.94	3.91	8.90	4.06	8.88	4.14	8.85	4.22	8.81	4.38
	0.0	10.20	4.06	10.16	4.22	10.11	4.38	9.91	4.27	9.71	4.16	9.30	3.94
	6.0	11.19	3.32	10.65	3.17	10.11	3.02	9.91	2.95	9.71	2.87	9.30	2.72
15+18	10.0	11.19	3.08	10.65	2.94	10.11	2.80	9.91	2.73	9.71	2.66	9.30	2.52
	15.0	11.19	2.78	10.65	2.65	10.11	2.52	9.91	2.46	9.71	2.40	9.30	2.27
	-15.0	6.56	3.11	6.51	3.27	6.47	3.43	6.44	3.51	6.42	3.59	6.38	3.75
	-10.0	7.77	3.43	7.73	3.59	7.68	3.75	7.66	3.83	7.64	3.91	7.60	4.06
	-5.0	8.99	3.75	8.94	3.91	8.90	4.06	8.88	4.14	8.85	4.22	8.81	4.38
	0.0	10.20	4.06	10.16	4.22	10.11	4.38	9.91	4.27	9.71	4.16	9.30	3.94

5. Capacity tables

Heating Capacity [-30G-]

Combination Capacity Index (kBtu/h)	Outdoor Air Temp. (°CWB)	Indoor Air Temp. (°CDB)											
		16.0		18.0		20.0		21.0		22.0		24.0	
		TC	PI	TC	PI	TC	PI	TC	PI	TC	PI	TC	PI
18+18	-15.0	6.56	3.11	6.51	3.27	6.47	3.43	6.44	3.51	6.42	3.59	6.38	3.75
	-10.0	7.77	3.43	7.73	3.59	7.68	3.75	7.66	3.83	7.64	3.91	7.60	4.06
	-5.0	8.99	3.75	8.94	3.91	8.90	4.06	8.88	4.14	8.85	4.22	8.81	4.38
	0.0	10.20	4.06	10.16	4.22	10.11	4.38	9.91	4.27	9.71	4.16	9.30	3.94
	6.0	11.19	3.32	10.65	3.17	10.11	3.02	9.91	2.95	9.71	2.87	9.30	2.72
	10.0	11.19	3.08	10.65	2.94	10.11	2.80	9.91	2.73	9.71	2.66	9.30	2.52
12+24	-15.0	6.56	3.11	6.51	3.27	6.47	3.43	6.44	3.51	6.42	3.59	6.38	3.75
	-10.0	7.77	3.43	7.73	3.59	7.68	3.75	7.66	3.83	7.64	3.91	7.60	4.06
	-5.0	8.99	3.75	8.94	3.91	8.90	4.06	8.88	4.14	8.85	4.22	8.81	4.38
	0.0	10.20	4.06	10.16	4.22	10.11	4.38	9.91	4.27	9.71	4.16	9.30	3.94
	6.0	11.19	3.32	10.65	3.17	10.11	3.02	9.91	2.95	9.71	2.87	9.30	2.72
	10.0	11.19	3.08	10.65	2.94	10.11	2.80	9.91	2.73	9.71	2.66	9.30	2.52
15+24	-15.0	6.56	3.11	6.51	3.27	6.47	3.43	6.44	3.51	6.42	3.59	6.38	3.75
	-10.0	7.77	3.43	7.73	3.59	7.68	3.75	7.66	3.83	7.64	3.91	7.60	4.06
	-5.0	8.99	3.75	8.94	3.91	8.90	4.06	8.88	4.14	8.85	4.22	8.81	4.38
	0.0	10.20	4.06	10.16	4.22	10.11	4.38	9.91	4.27	9.71	4.16	9.30	3.94
	6.0	11.19	3.32	10.65	3.17	10.11	3.02	9.91	2.95	9.71	2.87	9.30	2.72
	10.0	11.19	3.08	10.65	2.94	10.11	2.80	9.91	2.73	9.71	2.66	9.30	2.52
18+24	-15.0	6.56	3.11	6.51	3.27	6.47	3.43	6.44	3.51	6.42	3.59	6.38	3.75
	-10.0	7.77	3.43	7.73	3.59	7.68	3.75	7.66	3.83	7.64	3.91	7.60	4.06
	-5.0	8.99	3.75	8.94	3.91	8.90	4.06	8.88	4.14	8.85	4.22	8.81	4.38
	0.0	10.20	4.06	10.16	4.22	10.11	4.38	9.91	4.27	9.71	4.16	9.30	3.94
	6.0	11.19	3.32	10.65	3.17	10.11	3.02	9.91	2.95	9.71	2.87	9.30	2.72
	10.0	11.19	3.08	10.65	2.94	10.11	2.80	9.91	2.73	9.71	2.66	9.30	2.52
24+24	-15.0	6.56	3.11	6.51	3.27	6.47	3.43	6.44	3.51	6.42	3.59	6.38	3.75
	-10.0	7.77	3.43	7.73	3.59	7.68	3.75	7.66	3.83	7.64	3.91	7.60	4.06
	-5.0	8.99	3.75	8.94	3.91	8.90	4.06	8.88	4.14	8.85	4.22	8.81	4.38
	0.0	10.20	4.06	10.16	4.22	10.11	4.38	9.91	4.27	9.71	4.16	9.30	3.94
	6.0	11.19	3.32	10.65	3.17	10.11	3.02	9.91	2.95	9.71	2.87	9.30	2.72
	10.0	11.19	3.08	10.65	2.94	10.11	2.80	9.91	2.73	9.71	2.66	9.30	2.52
3 Units Operation													
5+5+5	-15.0	5.84	2.11	5.56	2.22	5.28	2.32	5.17	2.38	5.06	2.43	4.85	2.54
	-10.0	5.84	2.32	5.56	2.43	5.28	2.51	5.17	2.48	5.06	2.45	4.85	2.40
	-5.0	5.84	2.20	5.56	2.14	5.28	2.08	5.17	2.05	5.06	2.02	4.85	1.97
	0.0	5.84	1.77	5.56	1.71	5.28	1.65	5.17	1.63	5.06	1.60	4.85	1.54
	6.0	5.84	1.25	5.56	1.20	5.28	1.14	5.17	1.11	5.06	1.08	4.85	1.03
	10.0	5.84	1.16	5.56	1.11	5.28	1.06	5.17	1.03	5.06	1.00	4.85	0.95
5+5+7	-15.0	6.29	2.12	6.25	2.23	5.98	2.34	5.86	2.39	5.74	2.45	5.50	2.56
	-10.0	6.62	2.34	6.30	2.45	5.98	2.56	5.86	2.61	5.74	2.67	5.50	2.75
	-5.0	6.62	2.52	6.30	2.46	5.98	2.39	5.86	2.36	5.74	2.32	5.50	2.26
	0.0	6.62	2.03	6.30	1.96	5.98	1.90	5.86	1.87	5.74	1.83	5.50	1.77
	6.0	6.62	1.44	6.30	1.37	5.98	1.31	5.86	1.28	5.74	1.24	5.50	1.18
	10.0	6.62	1.33	6.30	1.27	5.98	1.21	5.86	1.18	5.74	1.15	5.50	1.09
5+5+9	-15.0	6.62	1.20	6.30	1.15	5.98	1.09	5.86	1.07	5.74	1.04	5.50	0.98
	-10.0	6.34	2.14	6.29	2.25	6.25	2.36	6.23	2.41	6.21	2.47	6.15	2.58
	-5.0	7.40	2.36	7.04	2.47	6.68	2.58	6.55	2.63	6.42	2.68	6.15	2.79
	0.0	7.40	2.58	7.04	2.68	6.68	2.71	6.55	2.67	6.42	2.63	6.15	2.56
	6.0	7.40	2.30	7.04	2.22	6.68	2.15	6.55	2.11	6.42	2.08	6.15	2.00
	10.0	7.40	1.63	7.04	1.56	6.68	1.48	6.55	1.44	6.42	1.41	6.15	1.33
5+7+7	-15.0	7.40	1.51	7.04	1.44	6.68	1.37	6.55	1.34	6.42	1.30	6.15	1.24
	-10.0	7.40	1.36	7.04	1.30	6.68	1.24	6.55	1.21	6.42	1.18	6.15	1.11
	-5.0	6.34	2.14	6.29	2.25	6.25	2.36	6.23	2.41	6.21	2.47	6.15	2.58
	0.0	7.40	2.36	7.04	2.47	6.68	2.58	6.55	2.63	6.42	2.68	6.15	2.79
	6.0	7.40	2.58	7.04	2.68	6.68	2.71	6.55	2.67	6.42	2.63	6.15	2.56
	10.0	7.40	2.30	7.04	2.22	6.68	2.15	6.55	2.11	6.42	2.08	6.15	2.00
5+7+9	-15.0	7.40	1.63	7.04	1.56	6.68	1.48	6.55	1.44	6.42	1.41	6.15	1.33
	-10.0	7.40	1.51	7.04	1.44	6.68	1.37	6.55	1.34	6.42	1.30	6.15	1.24
	-5.0	7.40	1.36	7.04	1.30	6.68	1.24	6.55	1.21	6.42	1.18	6.15	1.11
	0.0	6.34	2.14	6.29	2.25	6.25	2.36	6.23	2.41	6.21	2.47	6.15	2.58
	6.0	7.40	2.36	7.04	2.47	6.68	2.58	6.55	2.63	6.42	2.68	6.15	2.79
	10.0	7.40	2.58	7.04	2.68	6.68	2.71	6.55	2.67	6.42	2.63	6.15	2.56

5. Capacity tables

Heating Capacity [-30G-]

Combination Capacity Index (kBtu/h)	Outdoor Air Temp. (°WB)	Indoor Air Temp. (°DB)											
		16.0		18.0		20.0		21.0		22.0		24.0	
		TC	PI	TC	PI	TC	PI	TC	PI	TC	PI	TC	PI
7+7+7	-15.0	6.38	2.15	6.34	2.26	6.29	2.37	6.27	2.43	6.25	2.48	6.21	2.59
	-10.0	7.56	2.37	7.52	2.48	7.39	2.59	7.24	2.65	7.09	2.70	6.80	2.81
	-5.0	8.18	2.59	7.78	2.70	7.39	2.81	7.24	2.87	7.09	2.92	6.80	2.87
	0.0	8.18	2.57	7.78	2.49	7.39	2.41	7.24	2.37	7.09	2.33	6.80	2.24
	6.0	8.18	1.83	7.78	1.74	7.39	1.66	7.24	1.62	7.09	1.58	6.80	1.49
	10.0	8.18	1.69	7.78	1.62	7.39	1.54	7.24	1.50	7.09	1.46	6.80	1.38
5+5+12	-15.0	6.40	2.16	6.36	2.27	6.31	2.38	6.29	2.44	6.27	2.49	6.23	2.60
	-10.0	7.59	2.38	7.55	2.49	7.50	2.60	7.48	2.66	7.43	2.71	7.12	2.82
	-5.0	8.57	2.60	8.15	2.71	7.74	2.82	7.58	2.88	7.43	2.93	7.12	3.00
	0.0	8.57	2.69	8.15	2.61	7.74	2.52	7.58	2.48	7.43	2.43	7.12	2.35
	6.0	8.57	1.91	8.15	1.82	7.74	1.74	7.58	1.69	7.43	1.65	7.12	1.56
	10.0	8.57	1.77	8.15	1.69	7.74	1.61	7.58	1.57	7.43	1.53	7.12	1.45
5+9+9	-15.0	6.43	2.17	6.38	2.28	6.34	2.39	6.32	2.45	6.30	2.50	6.25	2.61
	-10.0	7.62	2.39	7.57	2.50	7.53	2.61	7.51	2.67	7.49	2.72	7.44	2.83
	-5.0	8.81	2.61	8.52	2.72	8.09	2.83	7.93	2.89	7.77	2.94	7.44	3.05
	0.0	8.95	2.83	8.52	2.77	8.09	2.67	7.93	2.63	7.77	2.58	7.44	2.49
	6.0	8.95	2.03	8.52	1.93	8.09	1.84	7.93	1.80	7.77	1.75	7.44	1.66
	10.0	8.95	1.88	8.52	1.79	8.09	1.71	7.93	1.66	7.77	1.62	7.44	1.54
7+7+9	-15.0	6.43	2.17	6.38	2.28	6.34	2.39	6.32	2.45	6.30	2.50	6.25	2.61
	-10.0	7.62	2.39	7.57	2.50	7.53	2.61	7.51	2.67	7.49	2.72	7.44	2.83
	-5.0	8.81	2.61	8.52	2.72	8.09	2.83	7.93	2.89	7.77	2.94	7.44	3.05
	0.0	8.95	2.83	8.52	2.77	8.09	2.67	7.93	2.63	7.77	2.58	7.44	2.49
	6.0	8.95	2.03	8.52	1.93	8.09	1.84	7.93	1.80	7.77	1.75	7.44	1.66
	10.0	8.95	1.88	8.52	1.79	8.09	1.71	7.93	1.66	7.77	1.62	7.44	1.54
5+7+12	-15.0	6.45	2.18	6.40	2.29	6.36	2.40	6.34	2.46	6.32	2.51	6.28	2.62
	-10.0	7.65	2.40	7.60	2.51	7.55	2.62	7.53	2.68	7.51	2.73	7.47	2.84
	-5.0	8.84	2.62	8.79	2.73	8.44	2.84	8.27	2.90	8.10	2.95	7.77	3.07
	0.0	9.34	2.84	8.89	2.88	8.44	2.79	8.27	2.74	8.10	2.69	7.77	2.60
	6.0	9.34	2.12	8.89	2.02	8.44	1.92	8.27	1.87	8.10	1.83	7.77	1.73
	10.0	9.34	1.96	8.89	1.87	8.44	1.78	8.27	1.74	8.10	1.69	7.77	1.60
5+5+15	-15.0	6.47	2.19	6.43	2.30	6.38	2.41	6.36	2.46	6.34	2.52	6.30	2.63
	-10.0	7.67	2.41	7.63	2.52	7.58	2.63	7.56	2.69	7.54	2.74	7.50	2.85
	-5.0	8.87	2.63	8.83	2.74	8.78	2.85	8.62	2.91	8.44	2.97	8.09	3.08
	0.0	9.73	2.85	9.26	2.97	8.79	2.99	8.62	2.94	8.44	2.89	8.09	2.77
	6.0	9.73	2.27	9.26	2.17	8.79	2.06	8.62	2.01	8.44	1.96	8.09	1.86
	10.0	9.73	2.10	9.26	2.01	8.79	1.91	8.62	1.86	8.44	1.82	8.09	1.72
7+9+9	-15.0	6.47	2.19	6.43	2.30	6.38	2.41	6.36	2.46	6.34	2.52	6.30	2.63
	-10.0	7.67	2.41	7.63	2.52	7.58	2.63	7.56	2.69	7.54	2.74	7.50	2.85
	-5.0	8.87	2.63	8.83	2.74	8.78	2.85	8.62	2.91	8.44	2.97	8.09	3.08
	0.0	9.73	2.85	9.26	2.97	8.79	2.99	8.62	2.94	8.44	2.89	8.09	2.77
	6.0	9.73	2.27	9.26	2.17	8.79	2.06	8.62	2.01	8.44	1.96	8.09	1.86
	10.0	9.73	2.10	9.26	2.01	8.79	1.91	8.62	1.86	8.44	1.82	8.09	1.72
5+9+12	-15.0	6.50	2.24	6.45	2.36	6.40	2.47	6.38	2.53	6.36	2.59	6.32	2.70
	-10.0	7.70	2.47	7.65	2.59	7.61	2.70	7.59	2.76	7.57	2.81	7.53	2.93
	-5.0	8.90	2.70	8.86	2.81	8.81	2.93	8.79	2.99	8.77	3.04	8.41	3.16
	0.0	10.11	2.93	9.63	3.04	9.14	3.16	8.96	3.08	8.78	3.00	8.41	2.84
	6.0	10.12	2.40	9.63	2.29	9.14	2.18	8.96	2.12	8.78	2.07	8.41	1.96
	10.0	10.12	2.22	9.63	2.12	9.14	2.02	8.96	1.97	8.78	1.92	8.41	1.82
7+7+12	-15.0	6.50	2.24	6.45	2.36	6.40	2.47	6.38	2.53	6.36	2.59	6.32	2.70
	-10.0	7.70	2.47	7.65	2.59	7.61	2.70	7.59	2.76	7.57	2.81	7.53	2.93
	-5.0	8.90	2.70	8.86	2.81	8.81	2.93	8.79	2.99	8.77	3.04	8.41	3.16
	0.0	10.11	2.93	9.63	3.04	9.14	3.16	8.96	3.08	8.78	3.00	8.41	2.84
	6.0	10.12	2.40	9.63	2.29	9.14	2.18	8.96	2.12	8.78	2.07	8.41	1.96
	10.0	10.12	2.22	9.63	2.12	9.14	2.02	8.96	1.97	8.78	1.92	8.41	1.82
5+7+15	-15.0	6.52	2.40	6.47	2.52	6.43	2.64	6.41	2.70	6.38	2.77	6.34	2.89
	-10.0	7.73	2.64	7.68	2.77	7.63	2.89	7.61	2.95	7.59	3.01	7.55	3.13
	-5.0	8.93	2.89	8.89	3.01	8.84	3.13	8.82	3.19	8.80	3.25	8.74	3.38
	0.0	10.14	3.13	10.00	3.25	9.50	3.38	9.31	3.29	9.12	3.21	8.74	3.04
	6.0	10.51	2.56	10.00	2.44	9.50	2.33	9.31	2.27	9.12	2.21	8.74	2.10
	10.0	10.51	2.37	10.00	2.27	9.50	2.16	9.31	2.10	9.12	2.05	8.74	1.94
	15.0	10.51	2.14	10.00	2.04	9.50	1.94	9.31	1.90	9.12	1.85	8.74	1.75

5. Capacity tables

Heating Capacity [-30G-]

Combination Capacity Index (kBtu/h)	Outdoor Air Temp. (°WB)	Indoor Air Temp. (°DB)											
		16.0		18.0		20.0		21.0		22.0		24.0	
		TC	PI	TC	PI	TC	PI	TC	PI	TC	PI	TC	PI
9+9+9	-15.0	6.52	2.40	6.47	2.52	6.43	2.64	6.41	2.70	6.38	2.77	6.34	2.89
	-10.0	7.73	2.64	7.68	2.77	7.63	2.89	7.61	2.95	7.59	3.01	7.55	3.13
	-5.0	8.93	2.89	8.89	3.01	8.84	3.13	8.82	3.19	8.80	3.25	8.74	3.38
	0.0	10.14	3.13	10.00	3.25	9.50	3.38	9.31	3.29	9.12	3.21	8.74	3.04
	6.0	10.51	2.56	10.00	2.44	9.50	2.33	9.31	2.27	9.12	2.21	8.74	2.10
	10.0	10.51	2.37	10.00	2.27	9.50	2.16	9.31	2.10	9.12	2.05	8.74	1.94
7+9+12	15.0	10.51	2.14	10.00	2.04	9.50	1.94	9.31	1.90	9.12	1.85	8.74	1.75
	-15.0	6.54	2.52	6.50	2.65	6.45	2.78	6.43	2.84	6.41	2.90	6.37	3.03
	-10.0	7.75	2.78	7.71	2.90	7.66	3.03	7.64	3.10	7.62	3.16	7.58	3.29
	-5.0	8.97	3.03	8.92	3.16	8.87	3.29	8.85	3.35	8.83	3.42	8.79	3.55
	0.0	10.18	3.29	10.13	3.42	9.85	3.55	9.65	3.46	9.45	3.37	9.06	3.19
	6.0	10.90	2.69	10.37	2.57	9.85	2.45	9.65	2.38	9.45	2.32	9.06	2.20
5+5+18	10.0	10.90	2.49	10.37	2.38	9.85	2.27	9.65	2.21	9.45	2.15	9.06	2.04
	15.0	10.90	2.25	10.37	2.14	9.85	2.04	9.65	1.99	9.45	1.94	9.06	1.84
	-15.0	6.54	2.52	6.50	2.65	6.45	2.78	6.43	2.84	6.41	2.90	6.37	3.03
	-10.0	7.75	2.78	7.71	2.90	7.66	3.03	7.64	3.10	7.62	3.16	7.58	3.29
	-5.0	8.97	3.03	8.92	3.16	8.87	3.29	8.85	3.35	8.83	3.42	8.79	3.55
	0.0	10.18	3.29	10.13	3.42	9.85	3.55	9.65	3.46	9.45	3.37	9.06	3.19
5+9+15	6.0	10.90	2.69	10.37	2.57	9.85	2.45	9.65	2.38	9.45	2.32	9.06	2.20
	10.0	10.90	2.49	10.37	2.38	9.85	2.27	9.65	2.21	9.45	2.15	9.06	2.04
	15.0	10.90	2.25	10.37	2.14	9.85	2.04	9.65	1.99	9.45	1.94	9.06	1.84
	-15.0	6.56	2.64	6.51	2.78	6.47	2.91	6.44	2.98	6.42	3.05	6.38	3.18
	-10.0	7.77	2.91	7.73	3.05	7.68	3.18	7.66	3.25	7.64	3.32	7.60	3.45
	-5.0	8.99	3.18	8.94	3.32	8.90	3.45	8.88	3.52	8.85	3.59	8.81	3.72
5+12+12	0.0	10.20	3.45	10.16	3.59	10.11	3.72	9.91	3.63	9.71	3.54	9.30	3.35
	6.0	11.19	2.82	10.65	2.69	10.11	2.57	9.91	2.50	9.71	2.44	9.30	2.31
	10.0	11.19	2.62	10.65	2.50	10.11	2.38	9.91	2.32	9.71	2.26	9.30	2.14
	15.0	11.19	2.36	10.65	2.25	10.11	2.14	9.91	2.09	9.71	2.04	9.30	1.93
	-15.0	6.56	2.64	6.51	2.78	6.47	2.91	6.44	2.98	6.42	3.05	6.38	3.18
	-10.0	7.77	2.91	7.73	3.05	7.68	3.18	7.66	3.25	7.64	3.32	7.60	3.45
7+7+15	-5.0	8.99	3.18	8.94	3.32	8.90	3.45	8.88	3.52	8.85	3.59	8.81	3.72
	0.0	10.20	3.45	10.16	3.59	10.11	3.72	9.91	3.63	9.71	3.54	9.30	3.35
	6.0	11.19	2.82	10.65	2.69	10.11	2.57	9.91	2.50	9.71	2.44	9.30	2.31
	10.0	11.19	2.62	10.65	2.50	10.11	2.38	9.91	2.32	9.71	2.26	9.30	2.14
	15.0	11.19	2.36	10.65	2.25	10.11	2.14	9.91	2.09	9.71	2.04	9.30	1.93
	-15.0	6.56	2.64	6.51	2.78	6.47	2.91	6.44	2.98	6.42	3.05	6.38	3.18
5+7+18	-10.0	7.77	2.91	7.73	3.05	7.68	3.18	7.66	3.25	7.64	3.32	7.60	3.45
	-5.0	8.99	3.18	8.94	3.32	8.90	3.45	8.88	3.52	8.85	3.59	8.81	3.72
	0.0	10.20	3.45	10.16	3.59	10.11	3.72	9.91	3.63	9.71	3.54	9.30	3.35
	6.0	11.19	2.82	10.65	2.69	10.11	2.57	9.91	2.50	9.71	2.44	9.30	2.31
	10.0	11.19	2.62	10.65	2.50	10.11	2.38	9.91	2.32	9.71	2.26	9.30	2.14
	15.0	11.19	2.36	10.65	2.25	10.11	2.14	9.91	2.09	9.71	2.04	9.30	1.93
9+9+12	-15.0	6.56	2.64	6.51	2.78	6.47	2.91	6.44	2.98	6.42	3.05	6.38	3.18
	-10.0	7.77	2.91	7.73	3.05	7.68	3.18	7.66	3.25	7.64	3.32	7.60	3.45
	-5.0	8.99	3.18	8.94	3.32	8.90	3.45	8.88	3.52	8.85	3.59	8.81	3.72
	0.0	10.20	3.45	10.16	3.59	10.11	3.72	9.91	3.63	9.71	3.54	9.30	3.35
	6.0	11.19	2.82	10.65	2.69	10.11	2.57	9.91	2.50	9.71	2.44	9.30	2.31
	10.0	11.19	2.62	10.65	2.50	10.11	2.38	9.91	2.32	9.71	2.26	9.30	2.14
7+9+15	15.0	11.19	2.36	10.65	2.25	10.11	2.14	9.91	2.09	9.71	2.04	9.30	1.93
	-15.0	6.56	2.64	6.51	2.78	6.47	2.91	6.44	2.98	6.42	3.05	6.38	3.18
	-10.0	7.77	2.91	7.73	3.05	7.68	3.18	7.66	3.25	7.64	3.32	7.60	3.45
	-5.0	8.99	3.18	8.94	3.32	8.90	3.45	8.88	3.52	8.85	3.59	8.81	3.72
	0.0	10.20	3.45	10.16	3.59	10.11	3.72	9.91	3.63	9.71	3.54	9.30	3.35
	6.0	11.19	2.82	10.65	2.69	10.11	2.57	9.91	2.50	9.71	2.44	9.30	2.31
7+12+12	10.0	11.19	2.62	10.65	2.50	10.11	2.38	9.91	2.32	9.71	2.26	9.30	2.14
	15.0	11.19	2.36	10.65	2.25	10.11	2.14	9.91	2.09	9.71	2.04	9.30	1.93
	-15.0	6.56	2.64	6.51	2.78	6.47	2.91	6.44	2.98	6.42	3.05	6.38	3.18
	-10.0	7.77	2.91	7.73	3.05	7.68	3.18	7.66	3.25	7.64	3.32	7.60	3.45
	-5.0	8.99	3.18	8.94	3.32	8.90	3.45	8.88	3.52	8.85	3.59	8.81	3.72
	0.0	10.20	3.45	10.16	3.59	10.11	3.72	9.91	3.63	9.71	3.54	9.30	3.35

5. Capacity tables

Heating Capacity [-30G-]

Combination Capacity Index (kBtu/h)	Outdoor Air Temp. (°WB)	Indoor Air Temp. (°DB)											
		16.0		18.0		20.0		21.0		22.0		24.0	
		TC	PI	TC	PI	TC	PI	TC	PI	TC	PI	TC	PI
5+7+24	-15.0	6.56	2.64	6.51	2.78	6.47	2.91	6.44	2.98	6.42	3.05	6.38	3.18
	-10.0	7.77	2.91	7.73	3.05	7.68	3.18	7.66	3.25	7.64	3.32	7.60	3.45
	-5.0	8.99	3.18	8.94	3.32	8.90	3.45	8.88	3.52	8.85	3.59	8.81	3.72
	0.0	10.20	3.45	10.16	3.59	10.11	3.72	9.91	3.63	9.71	3.54	9.30	3.35
	6.0	11.19	2.82	10.65	2.69	10.11	2.57	9.91	2.50	9.71	2.44	9.30	2.31
	10.0	11.19	2.62	10.65	2.50	10.11	2.38	9.91	2.32	9.71	2.26	9.30	2.14
9+12+15	15.0	11.19	2.36	10.65	2.25	10.11	2.14	9.91	2.09	9.71	2.04	9.30	1.93
	-15.0	6.56	2.64	6.51	2.78	6.47	2.91	6.44	2.98	6.42	3.05	6.38	3.18
	-10.0	7.77	2.91	7.73	3.05	7.68	3.18	7.66	3.25	7.64	3.32	7.60	3.45
	-5.0	8.99	3.18	8.94	3.32	8.90	3.45	8.88	3.52	8.85	3.59	8.81	3.72
	0.0	10.20	3.45	10.16	3.59	10.11	3.72	9.91	3.63	9.71	3.54	9.30	3.35
	6.0	11.19	2.82	10.65	2.69	10.11	2.57	9.91	2.50	9.71	2.44	9.30	2.31
12+12+12	10.0	11.19	2.62	10.65	2.50	10.11	2.38	9.91	2.32	9.71	2.26	9.30	2.14
	15.0	11.19	2.36	10.65	2.25	10.11	2.14	9.91	2.09	9.71	2.04	9.30	1.93
	-15.0	6.56	2.64	6.51	2.78	6.47	2.91	6.44	2.98	6.42	3.05	6.38	3.18
	-10.0	7.77	2.91	7.73	3.05	7.68	3.18	7.66	3.25	7.64	3.32	7.60	3.45
	-5.0	8.99	3.18	8.94	3.32	8.90	3.45	8.88	3.52	8.85	3.59	8.81	3.72
	0.0	10.20	3.45	10.16	3.59	10.11	3.72	9.91	3.63	9.71	3.54	9.30	3.35
9+9+18	6.0	11.19	2.82	10.65	2.69	10.11	2.57	9.91	2.50	9.71	2.44	9.30	2.31
	10.0	11.19	2.62	10.65	2.50	10.11	2.38	9.91	2.32	9.71	2.26	9.30	2.14
	15.0	11.19	2.36	10.65	2.25	10.11	2.14	9.91	2.09	9.71	2.04	9.30	1.93
	-15.0	6.56	2.64	6.51	2.78	6.47	2.91	6.44	2.98	6.42	3.05	6.38	3.18
	-10.0	7.77	2.91	7.73	3.05	7.68	3.18	7.66	3.25	7.64	3.32	7.60	3.45
	-5.0	8.99	3.18	8.94	3.32	8.90	3.45	8.88	3.52	8.85	3.59	8.81	3.72
7+12+18	0.0	10.20	3.45	10.16	3.59	10.11	3.72	9.91	3.63	9.71	3.54	9.30	3.35
	6.0	11.19	2.82	10.65	2.69	10.11	2.57	9.91	2.50	9.71	2.44	9.30	2.31
	10.0	11.19	2.62	10.65	2.50	10.11	2.38	9.91	2.32	9.71	2.26	9.30	2.14
	15.0	11.19	2.36	10.65	2.25	10.11	2.14	9.91	2.09	9.71	2.04	9.30	1.93
	-15.0	6.56	2.64	6.51	2.78	6.47	2.91	6.44	2.98	6.42	3.05	6.38	3.18
	-10.0	7.77	2.91	7.73	3.05	7.68	3.18	7.66	3.25	7.64	3.32	7.60	3.45
7+15+15	-5.0	8.99	3.18	8.94	3.32	8.90	3.45	8.88	3.52	8.85	3.59	8.81	3.72
	0.0	10.20	3.45	10.16	3.59	10.11	3.72	9.91	3.63	9.71	3.54	9.30	3.35
	6.0	11.19	2.82	10.65	2.69	10.11	2.57	9.91	2.50	9.71	2.44	9.30	2.31
	10.0	11.19	2.62	10.65	2.50	10.11	2.38	9.91	2.32	9.71	2.26	9.30	2.14
	15.0	11.19	2.36	10.65	2.25	10.11	2.14	9.91	2.09	9.71	2.04	9.30	1.93
	-15.0	6.56	2.64	6.51	2.78	6.47	2.91	6.44	2.98	6.42	3.05	6.38	3.18
5+9+24	-10.0	7.77	2.91	7.73	3.05	7.68	3.18	7.66	3.25	7.64	3.32	7.60	3.45
	-5.0	8.99	3.18	8.94	3.32	8.90	3.45	8.88	3.52	8.85	3.59	8.81	3.72
	0.0	10.20	3.45	10.16	3.59	10.11	3.72	9.91	3.63	9.71	3.54	9.30	3.35
	6.0	11.19	2.82	10.65	2.69	10.11	2.57	9.91	2.50	9.71	2.44	9.30	2.31
	10.0	11.19	2.62	10.65	2.50	10.11	2.38	9.91	2.32	9.71	2.26	9.30	2.14
	15.0	11.19	2.36	10.65	2.25	10.11	2.14	9.91	2.09	9.71	2.04	9.30	1.93
5+15+18	-15.0	6.56	2.64	6.51	2.78	6.47	2.91	6.44	2.98	6.42	3.05	6.38	3.18
	-10.0	7.77	2.91	7.73	3.05	7.68	3.18	7.66	3.25	7.64	3.32	7.60	3.45
	-5.0	8.99	3.18	8.94	3.32	8.90	3.45	8.88	3.52	8.85	3.59	8.81	3.72
	0.0	10.20	3.45	10.16	3.59	10.11	3.72	9.91	3.63	9.71	3.54	9.30	3.35
	6.0	11.19	2.82	10.65	2.69	10.11	2.57	9.91	2.50	9.71	2.44	9.30	2.31
	10.0	11.19	2.62	10.65	2.50	10.11	2.38	9.91	2.32	9.71	2.26	9.30	2.14
7+7+24	15.0	11.19	2.36	10.65	2.25	10.11	2.14	9.91	2.09	9.71	2.04	9.30	1.93
	-15.0	6.56	2.64	6.51	2.78	6.47	2.91	6.44	2.98	6.42	3.05	6.38	3.18
	-10.0	7.77	2.91	7.73	3.05	7.68	3.18	7.66	3.25	7.64	3.32	7.60	3.45
	-5.0	8.99	3.18	8.94	3.32	8.90	3.45	8.88	3.52	8.85	3.59	8.81	3.72
	0.0	10.20	3.45	10.16	3.59	10.11	3.72	9.91	3.63	9.71	3.54	9.30	3.35
	6.0	11.19	2.82	10.65	2.69	10.11	2.57	9.91	2.50	9.71	2.44	9.30	2.31
9+12+18	10.0	11.19	2.62	10.65	2.50	10.11	2.38	9.91	2.32	9.71	2.26	9.30	2.14
	15.0	11.19	2.36	10.65	2.25	10.11	2.14	9.91	2.09	9.71	2.04	9.30	1.93
	-15.0	6.56	2.64	6.51	2.78	6.47	2.91	6.44	2.98	6.42	3.05	6.38	3.18
	-10.0	7.77	2.91	7.73	3.05	7.68	3.18	7.66	3.25	7.64	3.32	7.60	3.45
	-5.0	8.99	3.18	8.94	3.32	8.90	3.45	8.88	3.52	8.85	3.59	8.81	3.72
	0.0	10.20	3.45	10.16	3.59	10.11	3.72	9.91	3.63	9.71	3.54	9.30	3.35

5. Capacity tables

Heating Capacity [-30G-]

Combination Capacity Index (kBtu/h)	Outdoor Air Temp. (°WB)	Indoor Air Temp. (°DB)											
		16.0		18.0		20.0		21.0		22.0		24.0	
		TC	PI	TC	PI	TC	PI	TC	PI	TC	PI	TC	PI
9+15+15	-15.0	6.56	2.64	6.51	2.78	6.47	2.91	6.44	2.98	6.42	3.05	6.38	3.18
	-10.0	7.77	2.91	7.73	3.05	7.68	3.18	7.66	3.25	7.64	3.32	7.60	3.45
	-5.0	8.99	3.18	8.94	3.32	8.90	3.45	8.88	3.52	8.85	3.59	8.81	3.72
	0.0	10.20	3.45	10.16	3.59	10.11	3.72	9.91	3.63	9.71	3.54	9.30	3.35
	6.0	11.19	2.82	10.65	2.69	10.11	2.57	9.91	2.50	9.71	2.44	9.30	2.31
	10.0	11.19	2.62	10.65	2.50	10.11	2.38	9.91	2.32	9.71	2.26	9.30	2.14
12+12+15	15.0	11.19	2.36	10.65	2.25	10.11	2.14	9.91	2.09	9.71	2.04	9.30	1.93
	-15.0	6.56	2.64	6.51	2.78	6.47	2.91	6.44	2.98	6.42	3.05	6.38	3.18
	-10.0	7.77	2.91	7.73	3.05	7.68	3.18	7.66	3.25	7.64	3.32	7.60	3.45
	-5.0	8.99	3.18	8.94	3.32	8.90	3.45	8.88	3.52	8.85	3.59	8.81	3.72
	0.0	10.20	3.45	10.16	3.59	10.11	3.72	9.91	3.63	9.71	3.54	9.30	3.35
	6.0	11.19	2.82	10.65	2.69	10.11	2.57	9.91	2.50	9.71	2.44	9.30	2.31
7+9+24	10.0	11.19	2.62	10.65	2.50	10.11	2.38	9.91	2.32	9.71	2.26	9.30	2.14
	15.0	11.19	2.36	10.65	2.25	10.11	2.14	9.91	2.09	9.71	2.04	9.30	1.93
	-15.0	6.56	2.64	6.51	2.78	6.47	2.91	6.44	2.98	6.42	3.05	6.38	3.18
	-10.0	7.77	2.91	7.73	3.05	7.68	3.18	7.66	3.25	7.64	3.32	7.60	3.45
	-5.0	8.99	3.18	8.94	3.32	8.90	3.45	8.88	3.52	8.85	3.59	8.81	3.72
	0.0	10.20	3.45	10.16	3.59	10.11	3.72	9.91	3.63	9.71	3.54	9.30	3.35
7+15+18	6.0	11.19	2.82	10.65	2.69	10.11	2.57	9.91	2.50	9.71	2.44	9.30	2.31
	10.0	11.19	2.62	10.65	2.50	10.11	2.38	9.91	2.32	9.71	2.26	9.30	2.14
	15.0	11.19	2.36	10.65	2.25	10.11	2.14	9.91	2.09	9.71	2.04	9.30	1.93
	-15.0	6.56	2.64	6.51	2.78	6.47	2.91	6.44	2.98	6.42	3.05	6.38	3.18
	-10.0	7.77	2.91	7.73	3.05	7.68	3.18	7.66	3.25	7.64	3.32	7.60	3.45
	-5.0	8.99	3.18	8.94	3.32	8.90	3.45	8.88	3.52	8.85	3.59	8.81	3.72
5+12+24	0.0	10.20	3.45	10.16	3.59	10.11	3.72	9.91	3.63	9.71	3.54	9.30	3.35
	6.0	11.19	2.82	10.65	2.69	10.11	2.57	9.91	2.50	9.71	2.44	9.30	2.31
	10.0	11.19	2.62	10.65	2.50	10.11	2.38	9.91	2.32	9.71	2.26	9.30	2.14
	15.0	11.19	2.36	10.65	2.25	10.11	2.14	9.91	2.09	9.71	2.04	9.30	1.93
	-15.0	6.56	2.64	6.51	2.78	6.47	2.91	6.44	2.98	6.42	3.05	6.38	3.18
	-10.0	7.77	2.91	7.73	3.05	7.68	3.18	7.66	3.25	7.64	3.32	7.60	3.45
5+18+18	-5.0	8.99	3.18	8.94	3.32	8.90	3.45	8.88	3.52	8.85	3.59	8.81	3.72
	0.0	10.20	3.45	10.16	3.59	10.11	3.72	9.91	3.63	9.71	3.54	9.30	3.35
	6.0	11.19	2.82	10.65	2.69	10.11	2.57	9.91	2.50	9.71	2.44	9.30	2.31
	10.0	11.19	2.62	10.65	2.50	10.11	2.38	9.91	2.32	9.71	2.26	9.30	2.14
	15.0	11.19	2.36	10.65	2.25	10.11	2.14	9.91	2.09	9.71	2.04	9.30	1.93
	-15.0	6.56	2.64	6.51	2.78	6.47	2.91	6.44	2.98	6.42	3.05	6.38	3.18
12+12+18	-10.0	7.77	2.91	7.73	3.05	7.68	3.18	7.66	3.25	7.64	3.32	7.60	3.45
	-5.0	8.99	3.18	8.94	3.32	8.90	3.45	8.88	3.52	8.85	3.59	8.81	3.72
	0.0	10.20	3.45	10.16	3.59	10.11	3.72	9.91	3.63	9.71	3.54	9.30	3.35
	6.0	11.19	2.82	10.65	2.69	10.11	2.57	9.91	2.50	9.71	2.44	9.30	2.31
	10.0	11.19	2.62	10.65	2.50	10.11	2.38	9.91	2.32	9.71	2.26	9.30	2.14
	15.0	11.19	2.36	10.65	2.25	10.11	2.14	9.91	2.09	9.71	2.04	9.30	1.93
9+9+24	-15.0	6.56	2.64	6.51	2.78	6.47	2.91	6.44	2.98	6.42	3.05	6.38	3.18
	-10.0	7.77	2.91	7.73	3.05	7.68	3.18	7.66	3.25	7.64	3.32	7.60	3.45
	-5.0	8.99	3.18	8.94	3.32	8.90	3.45	8.88	3.52	8.85	3.59	8.81	3.72
	0.0	10.20	3.45	10.16	3.59	10.11	3.72	9.91	3.63	9.71	3.54	9.30	3.35
	6.0	11.19	2.82	10.65	2.69	10.11	2.57	9.91	2.50	9.71	2.44	9.30	2.31
	10.0	11.19	2.62	10.65	2.50	10.11	2.38	9.91	2.32	9.71	2.26	9.30	2.14
9+15+18	15.0	11.19	2.36	10.65	2.25	10.11	2.14	9.91	2.09	9.71	2.04	9.30	1.93
	-15.0	6.56	2.64	6.51	2.78	6.47	2.91	6.44	2.98	6.42	3.05	6.38	3.18
	-10.0	7.77	2.91	7.73	3.05	7.68	3.18	7.66	3.25	7.64	3.32	7.60	3.45
	-5.0	8.99	3.18	8.94	3.32	8.90	3.45	8.88	3.52	8.85	3.59	8.81	3.72
	0.0	10.20	3.45	10.16	3.59	10.11	3.72	9.91	3.63	9.71	3.54	9.30	3.35
	6.0	11.19	2.82	10.65	2.69	10.11	2.57	9.91	2.50	9.71	2.44	9.30	2.31
12+15+15	10.0	11.19	2.62	10.65	2.50	10.11	2.38	9.91	2.32	9.71	2.26	9.30	2.14
	15.0	11.19	2.36	10.65	2.25	10.11	2.14	9.91	2.09	9.71	2.04	9.30	1.93
	-15.0	6.56	2.64	6.51	2.78	6.47	2.91	6.44	2.98	6.42	3.05	6.38	3.18
	-10.0	7.77	2.91	7.73	3.05	7.68	3.18	7.66	3.25	7.64	3.32	7.60	3.45
	-5.0	8.99	3.18	8.94	3.32	8.90	3.45	8.88	3.52	8.85	3.59	8.81	3.72
	0.0	10.20	3.45	10.16	3.59	10.11	3.72	9.91	3.63	9.71	3.54	9.30	3.35

5. Capacity tables

Heating Capacity [-30G-]

Combination Capacity Index (kBtu/h)	Outdoor Air Temp. (°WB)	Indoor Air Temp. (°DB)											
		16.0		18.0		20.0		21.0		22.0		24.0	
		TC	PI	TC	PI	TC	PI	TC	PI	TC	PI	TC	PI
7+18+18	-15.0	6.56	2.64	6.51	2.78	6.47	2.91	6.44	2.98	6.42	3.05	6.38	3.18
	-10.0	7.77	2.91	7.73	3.05	7.68	3.18	7.66	3.25	7.64	3.32	7.60	3.45
	-5.0	8.99	3.18	8.94	3.32	8.90	3.45	8.88	3.52	8.85	3.59	8.81	3.72
	0.0	10.20	3.45	10.16	3.59	10.11	3.72	9.91	3.63	9.71	3.54	9.30	3.35
	6.0	11.19	2.82	10.65	2.69	10.11	2.57	9.91	2.50	9.71	2.44	9.30	2.31
	10.0	11.19	2.62	10.65	2.50	10.11	2.38	9.91	2.32	9.71	2.26	9.30	2.14
7+12+24	-15.0	6.56	2.64	6.51	2.78	6.47	2.91	6.44	2.98	6.42	3.05	6.38	3.18
	-10.0	7.77	2.91	7.73	3.05	7.68	3.18	7.66	3.25	7.64	3.32	7.60	3.45
	-5.0	8.99	3.18	8.94	3.32	8.90	3.45	8.88	3.52	8.85	3.59	8.81	3.72
	0.0	10.20	3.45	10.16	3.59	10.11	3.72	9.91	3.63	9.71	3.54	9.30	3.35
	6.0	11.19	2.82	10.65	2.69	10.11	2.57	9.91	2.50	9.71	2.44	9.30	2.31
	10.0	11.19	2.62	10.65	2.50	10.11	2.38	9.91	2.32	9.71	2.26	9.30	2.14
5+15+24	-15.0	6.56	2.64	6.51	2.78	6.47	2.91	6.44	2.98	6.42	3.05	6.38	3.18
	-10.0	7.77	2.91	7.73	3.05	7.68	3.18	7.66	3.25	7.64	3.32	7.60	3.45
	-5.0	8.99	3.18	8.94	3.32	8.90	3.45	8.88	3.52	8.85	3.59	8.81	3.72
	0.0	10.20	3.45	10.16	3.59	10.11	3.72	9.91	3.63	9.71	3.54	9.30	3.35
	6.0	11.19	2.82	10.65	2.69	10.11	2.57	9.91	2.50	9.71	2.44	9.30	2.31
	10.0	11.19	2.62	10.65	2.50	10.11	2.38	9.91	2.32	9.71	2.26	9.30	2.14
9+18+18	-15.0	6.56	2.64	6.51	2.78	6.47	2.91	6.44	2.98	6.42	3.05	6.38	3.18
	-10.0	7.77	2.91	7.73	3.05	7.68	3.18	7.66	3.25	7.64	3.32	7.60	3.45
	-5.0	8.99	3.18	8.94	3.32	8.90	3.45	8.88	3.52	8.85	3.59	8.81	3.72
	0.0	10.20	3.45	10.16	3.59	10.11	3.72	9.91	3.63	9.71	3.54	9.30	3.35
	6.0	11.19	2.82	10.65	2.69	10.11	2.57	9.91	2.50	9.71	2.44	9.30	2.31
	10.0	11.19	2.62	10.65	2.50	10.11	2.38	9.91	2.32	9.71	2.26	9.30	2.14
9+12+24	-15.0	6.56	2.64	6.51	2.78	6.47	2.91	6.44	2.98	6.42	3.05	6.38	3.18
	-10.0	7.77	2.91	7.73	3.05	7.68	3.18	7.66	3.25	7.64	3.32	7.60	3.45
	-5.0	8.99	3.18	8.94	3.32	8.90	3.45	8.88	3.52	8.85	3.59	8.81	3.72
	0.0	10.20	3.45	10.16	3.59	10.11	3.72	9.91	3.63	9.71	3.54	9.30	3.35
	6.0	11.19	2.82	10.65	2.69	10.11	2.57	9.91	2.50	9.71	2.44	9.30	2.31
	10.0	11.19	2.62	10.65	2.50	10.11	2.38	9.91	2.32	9.71	2.26	9.30	2.14
12+15+18	-15.0	6.56	2.64	6.51	2.78	6.47	2.91	6.44	2.98	6.42	3.05	6.38	3.18
	-10.0	7.77	2.91	7.73	3.05	7.68	3.18	7.66	3.25	7.64	3.32	7.60	3.45
	-5.0	8.99	3.18	8.94	3.32	8.90	3.45	8.88	3.52	8.85	3.59	8.81	3.72
	0.0	10.20	3.45	10.16	3.59	10.11	3.72	9.91	3.63	9.71	3.54	9.30	3.35
	6.0	11.19	2.82	10.65	2.69	10.11	2.57	9.91	2.50	9.71	2.44	9.30	2.31
	10.0	11.19	2.62	10.65	2.50	10.11	2.38	9.91	2.32	9.71	2.26	9.30	2.14
15+15+15	-15.0	6.56	2.64	6.51	2.78	6.47	2.91	6.44	2.98	6.42	3.05	6.38	3.18
	-10.0	7.77	2.91	7.73	3.05	7.68	3.18	7.66	3.25	7.64	3.32	7.60	3.45
	-5.0	8.99	3.18	8.94	3.32	8.90	3.45	8.88	3.52	8.85	3.59	8.81	3.72
	0.0	10.20	3.45	10.16	3.59	10.11	3.72	9.91	3.63	9.71	3.54	9.30	3.35
	6.0	11.19	2.82	10.65	2.69	10.11	2.57	9.91	2.50	9.71	2.44	9.30	2.31
	10.0	11.19	2.62	10.65	2.50	10.11	2.38	9.91	2.32	9.71	2.26	9.30	2.14
7+15+24	-15.0	6.56	2.64	6.51	2.78	6.47	2.91	6.44	2.98	6.42	3.05	6.38	3.18
	-10.0	7.77	2.91	7.73	3.05	7.68	3.18	7.66	3.25	7.64	3.32	7.60	3.45
	-5.0	8.99	3.18	8.94	3.32	8.90	3.45	8.88	3.52	8.85	3.59	8.81	3.72
	0.0	10.20	3.45	10.16	3.59	10.11	3.72	9.91	3.63	9.71	3.54	9.30	3.35
	6.0	11.19	2.82	10.65	2.69	10.11	2.57	9.91	2.50	9.71	2.44	9.30	2.31
	10.0	11.19	2.62	10.65	2.50	10.11	2.38	9.91	2.32	9.71	2.26	9.30	2.14
5+18+24	-15.0	6.56	2.64	6.51	2.78	6.47	2.91	6.44	2.98	6.42	3.05	6.38	3.18
	-10.0	7.77	2.91	7.73	3.05	7.68	3.18	7.66	3.25	7.64	3.32	7.60	3.45
	-5.0	8.99	3.18	8.94	3.32	8.90	3.45	8.88	3.52	8.85	3.59	8.81	3.72
	0.0	10.20	3.45	10.16	3.59	10.11	3.72	9.91	3.63	9.71	3.54	9.30	3.35
	6.0	11.19	2.82	10.65	2.69	10.11	2.57	9.91	2.50	9.71	2.44	9.30	2.31
	10.0	11.19	2.62	10.65	2.50	10.11	2.38	9.91	2.32	9.71	2.26	9.30	2.14
9+15+24	-15.0	6.56	2.64	6.51	2.78	6.47	2.91	6.44	2.98	6.42	3.05	6.38	3.18
	-10.0	7.77	2.91	7.73	3.05	7.68	3.18	7.66	3.25	7.64	3.32	7.60	3.45
	-5.0	8.99	3.18	8.94	3.32	8.90	3.45	8.88	3.52	8.85	3.59	8.81	3.72
	0.0	10.20	3.45	10.16	3.59	10.11	3.72	9.91	3.63	9.71	3.54	9.30	3.35
	6.0	11.19	2.82	10.65	2.69	10.11	2.57	9.91	2.50	9.71	2.44	9.30	2.31
	10.0	11.19	2.62	10.65	2.50	10.11	2.38	9.91	2.32	9.71	2.26	9.30	2.14

5. Capacity tables

Heating Capacity [-30G-]

Combination Capacity Index (kBtu/h)	Outdoor Air Temp. (°CWB)	Indoor Air Temp. (°CDB)											
		16.0		18.0		20.0		21.0		22.0		24.0	
		TC	PI	TC	PI	TC	PI	TC	PI	TC	PI	TC	PI
12+18+18	-15.0	6.56	2.64	6.51	2.78	6.47	2.91	6.44	2.98	6.42	3.05	6.38	3.18
	-10.0	7.77	2.91	7.73	3.05	7.68	3.18	7.66	3.25	7.64	3.32	7.60	3.45
	-5.0	8.99	3.18	8.94	3.32	8.90	3.45	8.88	3.52	8.85	3.59	8.81	3.72
	0.0	10.20	3.45	10.16	3.59	10.11	3.72	9.91	3.63	9.71	3.54	9.30	3.35
	6.0	11.19	2.82	10.65	2.69	10.11	2.57	9.91	2.50	9.71	2.44	9.30	2.31
	10.0	11.19	2.62	10.65	2.50	10.11	2.38	9.91	2.32	9.71	2.26	9.30	2.14
12+12+24	-15.0	6.56	2.64	6.51	2.78	6.47	2.91	6.44	2.98	6.42	3.05	6.38	3.18
	-10.0	7.77	2.91	7.73	3.05	7.68	3.18	7.66	3.25	7.64	3.32	7.60	3.45
	-5.0	8.99	3.18	8.94	3.32	8.90	3.45	8.88	3.52	8.85	3.59	8.81	3.72
	0.0	10.20	3.45	10.16	3.59	10.11	3.72	9.91	3.63	9.71	3.54	9.30	3.35
	6.0	11.19	2.82	10.65	2.69	10.11	2.57	9.91	2.50	9.71	2.44	9.30	2.31
	10.0	11.19	2.62	10.65	2.50	10.11	2.38	9.91	2.32	9.71	2.26	9.30	2.14
15+15+18	-15.0	6.56	2.64	6.51	2.78	6.47	2.91	6.44	2.98	6.42	3.05	6.38	3.18
	-10.0	7.77	2.91	7.73	3.05	7.68	3.18	7.66	3.25	7.64	3.32	7.60	3.45
	-5.0	8.99	3.18	8.94	3.32	8.90	3.45	8.88	3.52	8.85	3.59	8.81	3.72
	0.0	10.20	3.45	10.16	3.59	10.11	3.72	9.91	3.63	9.71	3.54	9.30	3.35
	6.0	11.19	2.82	10.65	2.69	10.11	2.57	9.91	2.50	9.71	2.44	9.30	2.31
	10.0	11.19	2.62	10.65	2.50	10.11	2.38	9.91	2.32	9.71	2.26	9.30	2.14
4 Units Operation													
5+5+5+5	-15.0	6.36	2.15	6.31	2.26	6.27	2.37	6.25	2.42	6.23	2.48	6.19	2.58
	-10.0	7.54	2.37	7.41	2.48	7.03	2.58	6.89	2.64	6.75	2.69	6.47	2.80
	-5.0	7.79	2.58	7.41	2.69	7.03	2.70	6.89	2.67	6.75	2.63	6.47	2.55
	0.0	7.79	2.30	7.41	2.22	7.03	2.15	6.89	2.11	6.75	2.07	6.47	2.00
	6.0	7.79	1.63	7.41	1.55	7.03	1.48	6.89	1.44	6.75	1.41	6.47	1.33
	10.0	7.79	1.51	7.41	1.44	7.03	1.37	6.89	1.34	6.75	1.30	6.47	1.23
5+5+5+7	-15.0	6.40	2.16	6.36	2.27	6.31	2.38	6.29	2.44	6.27	2.49	6.23	2.60
	-10.0	7.59	2.38	7.55	2.49	7.50	2.60	7.48	2.66	7.43	2.71	7.12	2.82
	-5.0	8.57	2.60	8.15	2.71	7.74	2.82	7.58	2.88	7.43	2.93	7.12	2.85
	0.0	8.57	2.56	8.15	2.48	7.74	2.39	7.58	2.35	7.43	2.31	7.12	2.23
	6.0	8.57	1.82	8.15	1.73	7.74	1.65	7.58	1.61	7.43	1.57	7.12	1.49
	10.0	8.57	1.68	8.15	1.61	7.74	1.53	7.58	1.49	7.43	1.45	7.12	1.38
5+5+5+9	-15.0	6.45	2.18	6.40	2.29	6.36	2.40	6.34	2.46	6.32	2.51	6.28	2.62
	-10.0	7.65	2.40	7.60	2.51	7.55	2.62	7.53	2.68	7.51	2.73	7.47	2.84
	-5.0	8.84	2.62	8.79	2.73	8.44	2.84	8.27	2.90	8.10	2.95	7.77	3.07
	0.0	9.34	2.83	8.89	2.74	8.44	2.65	8.27	2.60	8.10	2.56	7.77	2.47
	6.0	9.34	2.01	8.89	1.92	8.44	1.83	8.27	1.78	8.10	1.73	7.77	1.64
	10.0	9.34	1.86	8.89	1.78	8.44	1.69	8.27	1.65	8.10	1.61	7.77	1.52
5+5+7+7	-15.0	6.45	2.18	6.40	2.29	6.36	2.40	6.34	2.46	6.32	2.51	6.28	2.62
	-10.0	7.65	2.40	7.60	2.51	7.55	2.62	7.53	2.68	7.51	2.73	7.47	2.84
	-5.0	8.84	2.62	8.79	2.73	8.44	2.84	8.27	2.90	8.10	2.95	7.77	3.07
	0.0	9.34	2.83	8.89	2.74	8.44	2.65	8.27	2.60	8.10	2.56	7.77	2.47
	6.0	9.34	2.01	8.89	1.92	8.44	1.83	8.27	1.78	8.10	1.73	7.77	1.64
	10.0	9.34	1.86	8.89	1.78	8.44	1.69	8.27	1.65	8.10	1.61	7.77	1.52
5+5+7+9	-15.0	6.50	2.19	6.45	2.30	6.40	2.42	6.38	2.47	6.36	2.53	6.32	2.64
	-10.0	7.70	2.42	7.65	2.53	7.61	2.64	7.59	2.70	7.57	2.75	7.53	2.86
	-5.0	8.90	2.64	8.86	2.75	8.81	2.86	8.79	2.92	8.77	2.98	8.41	3.09
	0.0	10.11	2.86	9.63	2.98	9.14	3.00	8.96	2.95	8.78	2.90	8.41	2.78
	6.0	10.12	2.28	9.63	2.17	9.14	2.07	8.96	2.02	8.78	1.96	8.41	1.86
	10.0	10.12	2.11	9.63	2.01	9.14	1.92	8.96	1.87	8.78	1.82	8.41	1.73
5+7+7+7	-15.0	6.50	2.19	6.45	2.30	6.40	2.42	6.38	2.47	6.36	2.53	6.32	2.64
	-10.0	7.70	2.42	7.65	2.53	7.61	2.64	7.59	2.70	7.57	2.75	7.53	2.86
	-5.0	8.90	2.64	8.86	2.75	8.81	2.86	8.79	2.92	8.77	2.98	8.41	3.09
	0.0	10.11	2.86	9.63	2.98	9.14	3.00	8.96	2.95	8.78	2.90	8.41	2.78
	6.0	10.12	2.28	9.63	2.17	9.14	2.07	8.96	2.02	8.78	1.96	8.41	1.86
	10.0	10.12	2.11	9.63	2.01	9.14	1.92	8.96	1.87	8.78	1.82	8.41	1.73
5+5+5+12	-15.0	6.52	2.30	6.47	2.41	6.43	2.53	6.41	2.59	6.38	2.65	6.34	2.77
	-10.0	7.73	2.53	7.68	2.65	7.63	2.77	7.61	2.82	7.59	2.88	7.55	3.00
	-5.0	8.93	2.77	8.89	2.88	8.84	3.00	8.82	3.06	8.80	3.12	8.74	3.23
	0.0	10.14	3.00	10.00	3.12	9.50	3.23	9.31	3.15	9.12	3.07	8.74	2.91
	6.0	10.51	2.45	10.00	2.34	9.50	2.23	9.31	2.17	9.12	2.12	8.74	2.01
	10.0	10.51	2.27	10.00	2.17	9.50	2.07	9.31	2.01	9.12	1.96	8.74	1.86
	15.0	10.51	2.05	10.00	1.96	9.50	1.86	9.31	1.82	9.12	1.77	8.74	1.68

5. Capacity tables

Heating Capacity [-30G-]

Combination Capacity Index (kBtu/h)	Outdoor Air Temp. (°WB)	Indoor Air Temp. (°DB)											
		16.0		18.0		20.0		21.0		22.0		24.0	
		TC	PI	TC	PI	TC	PI	TC	PI	TC	PI	TC	PI
5+5+9+9	-15.0	6.54	2.43	6.50	2.55	6.45	2.68	6.43	2.74	6.41	2.80	6.37	2.92
	-10.0	7.75	2.68	7.71	2.80	7.66	2.92	7.64	2.98	7.62	3.05	7.58	3.17
	-5.0	8.97	2.92	8.92	3.05	8.87	3.17	8.85	3.23	8.83	3.29	8.79	3.42
	0.0	10.18	3.17	10.13	3.29	9.85	3.42	9.65	3.33	9.45	3.25	9.06	3.08
	6.0	10.90	2.59	10.37	2.47	9.85	2.36	9.65	2.30	9.45	2.24	9.06	2.12
	10.0	10.90	2.40	10.37	2.29	9.85	2.18	9.65	2.13	9.45	2.07	9.06	1.97
5+7+7+9	-15.0	6.54	2.43	6.50	2.55	6.45	2.68	6.43	2.74	6.41	2.80	6.37	2.92
	-10.0	7.75	2.68	7.71	2.80	7.66	2.92	7.64	2.98	7.62	3.05	7.58	3.17
	-5.0	8.97	2.92	8.92	3.05	8.87	3.17	8.85	3.23	8.83	3.29	8.79	3.42
	0.0	10.18	3.17	10.13	3.29	9.85	3.42	9.65	3.33	9.45	3.25	9.06	3.08
	6.0	10.90	2.59	10.37	2.47	9.85	2.36	9.65	2.30	9.45	2.24	9.06	2.12
	10.0	10.90	2.40	10.37	2.29	9.85	2.18	9.65	2.13	9.45	2.07	9.06	1.97
7+7+7+7	-15.0	6.54	2.43	6.50	2.55	6.45	2.68	6.43	2.74	6.41	2.80	6.37	2.92
	-10.0	7.75	2.68	7.71	2.80	7.66	2.92	7.64	2.98	7.62	3.05	7.58	3.17
	-5.0	8.97	2.92	8.92	3.05	8.87	3.17	8.85	3.23	8.83	3.29	8.79	3.42
	0.0	10.18	3.17	10.13	3.29	9.85	3.42	9.65	3.33	9.45	3.25	9.06	3.08
	6.0	10.90	2.59	10.37	2.47	9.85	2.36	9.65	2.30	9.45	2.24	9.06	2.12
	10.0	10.90	2.40	10.37	2.29	9.85	2.18	9.65	2.13	9.45	2.07	9.06	1.97
5+5+7+12	-15.0	6.56	2.56	6.51	2.69	6.47	2.82	6.44	2.89	6.42	2.95	6.38	3.09
	-10.0	7.77	2.82	7.73	2.95	7.68	3.09	7.66	3.15	7.64	3.22	7.60	3.35
	-5.0	8.99	3.09	8.94	3.22	8.90	3.35	8.88	3.41	8.85	3.48	8.81	3.61
	0.0	10.20	3.35	10.16	3.48	10.11	3.61	9.91	3.52	9.71	3.43	9.30	3.25
	6.0	11.19	2.74	10.65	2.61	10.11	2.49	9.91	2.43	9.71	2.36	9.30	2.24
	10.0	11.19	2.54	10.65	2.42	10.11	2.31	9.91	2.25	9.71	2.19	9.30	2.08
5+5+5+15	-15.0	6.56	2.56	6.51	2.69	6.47	2.82	6.44	2.89	6.42	2.95	6.38	3.09
	-10.0	7.77	2.82	7.73	2.95	7.68	3.09	7.66	3.15	7.64	3.22	7.60	3.35
	-5.0	8.99	3.09	8.94	3.22	8.90	3.35	8.88	3.41	8.85	3.48	8.81	3.61
	0.0	10.20	3.35	10.16	3.48	10.11	3.61	9.91	3.52	9.71	3.43	9.30	3.25
	6.0	11.19	2.74	10.65	2.61	10.11	2.49	9.91	2.43	9.71	2.36	9.30	2.24
	10.0	11.19	2.54	10.65	2.42	10.11	2.31	9.91	2.25	9.71	2.19	9.30	2.08
5+7+9+9	-15.0	6.56	2.56	6.51	2.69	6.47	2.82	6.44	2.89	6.42	2.95	6.38	3.09
	-10.0	7.77	2.82	7.73	2.95	7.68	3.09	7.66	3.15	7.64	3.22	7.60	3.35
	-5.0	8.99	3.09	8.94	3.22	8.90	3.35	8.88	3.41	8.85	3.48	8.81	3.61
	0.0	10.20	3.35	10.16	3.48	10.11	3.61	9.91	3.52	9.71	3.43	9.30	3.25
	6.0	11.19	2.74	10.65	2.61	10.11	2.49	9.91	2.43	9.71	2.36	9.30	2.24
	10.0	11.19	2.54	10.65	2.42	10.11	2.31	9.91	2.25	9.71	2.19	9.30	2.08
7+7+7+9	-15.0	6.56	2.56	6.51	2.69	6.47	2.82	6.44	2.89	6.42	2.95	6.38	3.09
	-10.0	7.77	2.82	7.73	2.95	7.68	3.09	7.66	3.15	7.64	3.22	7.60	3.35
	-5.0	8.99	3.09	8.94	3.22	8.90	3.35	8.88	3.41	8.85	3.48	8.81	3.61
	0.0	10.20	3.35	10.16	3.48	10.11	3.61	9.91	3.52	9.71	3.43	9.30	3.25
	6.0	11.19	2.74	10.65	2.61	10.11	2.49	9.91	2.43	9.71	2.36	9.30	2.24
	10.0	11.19	2.54	10.65	2.42	10.11	2.31	9.91	2.25	9.71	2.19	9.30	2.08
5+5+9+12	-15.0	6.56	2.56	6.51	2.69	6.47	2.82	6.44	2.89	6.42	2.95	6.38	3.09
	-10.0	7.77	2.82	7.73	2.95	7.68	3.09	7.66	3.15	7.64	3.22	7.60	3.35
	-5.0	8.99	3.09	8.94	3.22	8.90	3.35	8.88	3.41	8.85	3.48	8.81	3.61
	0.0	10.20	3.35	10.16	3.48	10.11	3.61	9.91	3.52	9.71	3.43	9.30	3.25
	6.0	11.19	2.74	10.65	2.61	10.11	2.49	9.91	2.43	9.71	2.36	9.30	2.24
	10.0	11.19	2.54	10.65	2.42	10.11	2.31	9.91	2.25	9.71	2.19	9.30	2.08
5+7+7+12	-15.0	6.56	2.56	6.51	2.69	6.47	2.82	6.44	2.89	6.42	2.95	6.38	3.09
	-10.0	7.77	2.82	7.73	2.95	7.68	3.09	7.66	3.15	7.64	3.22	7.60	3.35
	-5.0	8.99	3.09	8.94	3.22	8.90	3.35	8.88	3.41	8.85	3.48	8.81	3.61
	0.0	10.20	3.35	10.16	3.48	10.11	3.61	9.91	3.52	9.71	3.43	9.30	3.25
	6.0	11.19	2.74	10.65	2.61	10.11	2.49	9.91	2.43	9.71	2.36	9.30	2.24
	10.0	11.19	2.54	10.65	2.42	10.11	2.31	9.91	2.25	9.71	2.19	9.30	2.08
5+5+7+15	-15.0	6.56	2.56	6.51	2.69	6.47	2.82	6.44	2.89	6.42	2.95	6.38	3.09
	-10.0	7.77	2.82	7.73	2.95	7.68	3.09	7.66	3.15	7.64	3.22	7.60	3.35
	-5.0	8.99	3.09	8.94	3.22	8.90	3.35	8.88	3.41	8.85	3.48	8.81	3.61
	0.0	10.20	3.35	10.16	3.48	10.11	3.61	9.91	3.52	9.71	3.43	9.30	3.25
	6.0	11.19	2.74	10.65	2.61	10.11	2.49	9.91	2.43	9.71	2.36	9.30	2.24
	10.0	11.19	2.54	10.65	2.42	10.11	2.31	9.91	2.25	9.71	2.19	9.30	2.08
5+5+7+15	-15.0	6.56	2.56	6.51	2.69	6.47	2.82	6.44	2.89	6.42	2.95	6.38	3.09
	-10.0	7.77	2.82	7.73	2.95	7.68	3.09	7.66	3.15	7.64	3.22	7.60	3.35
	-5.0	8.99	3.09	8.94	3.22	8.90	3.35	8.88	3.41	8.85	3.48	8.81	3.61
	0.0	10.20	3.35	10.16	3.48	10.11	3.61	9.91	3.52	9.71	3.43	9.30	3.25
	6.0	11.19	2.74	10.65	2.61	10.11	2.49	9.91	2.43	9.71	2.36	9.30	2.24
	15.0	11.19	2.29	10.65	2.18	10.11	2.08	9.91	2.03	9.71	1.97	9.30	1.87

5. Capacity tables

Heating Capacity [-30G-]

Combination Capacity Index (kBtu/h)	Outdoor Air Temp. (°WB)	Indoor Air Temp. (°DB)											
		16.0		18.0		20.0		21.0		22.0		24.0	
		TC	PI	TC	PI	TC	PI	TC	PI	TC	PI	TC	PI
7+7+9+9	-15.0	6.56	2.56	6.51	2.69	6.47	2.82	6.44	2.89	6.42	2.95	6.38	3.09
	-10.0	7.77	2.82	7.73	2.95	7.68	3.09	7.66	3.15	7.64	3.22	7.60	3.35
	-5.0	8.99	3.09	8.94	3.22	8.90	3.35	8.88	3.41	8.85	3.48	8.81	3.61
	0.0	10.20	3.35	10.16	3.48	10.11	3.61	9.91	3.52	9.71	3.43	9.30	3.25
	6.0	11.19	2.74	10.65	2.61	10.11	2.49	9.91	2.43	9.71	2.36	9.30	2.24
	10.0	11.19	2.54	10.65	2.42	10.11	2.31	9.91	2.25	9.71	2.19	9.30	2.08
5+9+9+9	-15.0	6.56	2.56	6.51	2.69	6.47	2.82	6.44	2.89	6.42	2.95	6.38	3.09
	-10.0	7.77	2.82	7.73	2.95	7.68	3.09	7.66	3.15	7.64	3.22	7.60	3.35
	-5.0	8.99	3.09	8.94	3.22	8.90	3.35	8.88	3.41	8.85	3.48	8.81	3.61
	0.0	10.20	3.35	10.16	3.48	10.11	3.61	9.91	3.52	9.71	3.43	9.30	3.25
	6.0	11.19	2.74	10.65	2.61	10.11	2.49	9.91	2.43	9.71	2.36	9.30	2.24
	10.0	11.19	2.54	10.65	2.42	10.11	2.31	9.91	2.25	9.71	2.19	9.30	2.08
5+5+5+18	-15.0	6.56	2.56	6.51	2.69	6.47	2.82	6.44	2.89	6.42	2.95	6.38	3.09
	-10.0	7.77	2.82	7.73	2.95	7.68	3.09	7.66	3.15	7.64	3.22	7.60	3.35
	-5.0	8.99	3.09	8.94	3.22	8.90	3.35	8.88	3.41	8.85	3.48	8.81	3.61
	0.0	10.20	3.35	10.16	3.48	10.11	3.61	9.91	3.52	9.71	3.43	9.30	3.25
	6.0	11.19	2.74	10.65	2.61	10.11	2.49	9.91	2.43	9.71	2.36	9.30	2.24
	10.0	11.19	2.54	10.65	2.42	10.11	2.31	9.91	2.25	9.71	2.19	9.30	2.08
5+7+9+12	-15.0	6.56	2.56	6.51	2.69	6.47	2.82	6.44	2.89	6.42	2.95	6.38	3.09
	-10.0	7.77	2.82	7.73	2.95	7.68	3.09	7.66	3.15	7.64	3.22	7.60	3.35
	-5.0	8.99	3.09	8.94	3.22	8.90	3.35	8.88	3.41	8.85	3.48	8.81	3.61
	0.0	10.20	3.35	10.16	3.48	10.11	3.61	9.91	3.52	9.71	3.43	9.30	3.25
	6.0	11.19	2.74	10.65	2.61	10.11	2.49	9.91	2.43	9.71	2.36	9.30	2.24
	10.0	11.19	2.54	10.65	2.42	10.11	2.31	9.91	2.25	9.71	2.19	9.30	2.08
7+7+7+12	-15.0	6.56	2.56	6.51	2.69	6.47	2.82	6.44	2.89	6.42	2.95	6.38	3.09
	-10.0	7.77	2.82	7.73	2.95	7.68	3.09	7.66	3.15	7.64	3.22	7.60	3.35
	-5.0	8.99	3.09	8.94	3.22	8.90	3.35	8.88	3.41	8.85	3.48	8.81	3.61
	0.0	10.20	3.35	10.16	3.48	10.11	3.61	9.91	3.52	9.71	3.43	9.30	3.25
	6.0	11.19	2.74	10.65	2.61	10.11	2.49	9.91	2.43	9.71	2.36	9.30	2.24
	10.0	11.19	2.54	10.65	2.42	10.11	2.31	9.91	2.25	9.71	2.19	9.30	2.08
5+5+9+15	-15.0	6.56	2.56	6.51	2.69	6.47	2.82	6.44	2.89	6.42	2.95	6.38	3.09
	-10.0	7.77	2.82	7.73	2.95	7.68	3.09	7.66	3.15	7.64	3.22	7.60	3.35
	-5.0	8.99	3.09	8.94	3.22	8.90	3.35	8.88	3.41	8.85	3.48	8.81	3.61
	0.0	10.20	3.35	10.16	3.48	10.11	3.61	9.91	3.52	9.71	3.43	9.30	3.25
	6.0	11.19	2.74	10.65	2.61	10.11	2.49	9.91	2.43	9.71	2.36	9.30	2.24
	10.0	11.19	2.54	10.65	2.42	10.11	2.31	9.91	2.25	9.71	2.19	9.30	2.08
5+5+12+12	-15.0	6.56	2.56	6.51	2.69	6.47	2.82	6.44	2.89	6.42	2.95	6.38	3.09
	-10.0	7.77	2.82	7.73	2.95	7.68	3.09	7.66	3.15	7.64	3.22	7.60	3.35
	-5.0	8.99	3.09	8.94	3.22	8.90	3.35	8.88	3.41	8.85	3.48	8.81	3.61
	0.0	10.20	3.35	10.16	3.48	10.11	3.61	9.91	3.52	9.71	3.43	9.30	3.25
	6.0	11.19	2.74	10.65	2.61	10.11	2.49	9.91	2.43	9.71	2.36	9.30	2.24
	10.0	11.19	2.54	10.65	2.42	10.11	2.31	9.91	2.25	9.71	2.19	9.30	2.08
5+7+7+15	-15.0	6.56	2.56	6.51	2.69	6.47	2.82	6.44	2.89	6.42	2.95	6.38	3.09
	-10.0	7.77	2.82	7.73	2.95	7.68	3.09	7.66	3.15	7.64	3.22	7.60	3.35
	-5.0	8.99	3.09	8.94	3.22	8.90	3.35	8.88	3.41	8.85	3.48	8.81	3.61
	0.0	10.20	3.35	10.16	3.48	10.11	3.61	9.91	3.52	9.71	3.43	9.30	3.25
	6.0	11.19	2.74	10.65	2.61	10.11	2.49	9.91	2.43	9.71	2.36	9.30	2.24
	10.0	11.19	2.54	10.65	2.42	10.11	2.31	9.91	2.25	9.71	2.19	9.30	2.08
7+9+9+9	-15.0	6.56	2.56	6.51	2.69	6.47	2.82	6.44	2.89	6.42	2.95	6.38	3.09
	-10.0	7.77	2.82	7.73	2.95	7.68	3.09	7.66	3.15	7.64	3.22	7.60	3.35
	-5.0	8.99	3.09	8.94	3.22	8.90	3.35	8.88	3.41	8.85	3.48	8.81	3.61
	0.0	10.20	3.35	10.16	3.48	10.11	3.61	9.91	3.52	9.71	3.43	9.30	3.25
	6.0	11.19	2.74	10.65	2.61	10.11	2.49	9.91	2.43	9.71	2.36	9.30	2.24
	10.0	11.19	2.54	10.65	2.42	10.11	2.31	9.91	2.25	9.71	2.19	9.30	2.08
5+5+7+18	-15.0	6.56	2.56	6.51	2.69	6.47	2.82	6.44	2.89	6.42	2.95	6.38	3.09
	-10.0	7.77	2.82	7.73	2.95	7.68	3.09	7.66	3.15	7.64	3.22	7.60	3.35
	-5.0	8.99	3.09	8.94	3.22	8.90	3.35	8.88	3.41	8.85	3.48	8.81	3.61
	0.0	10.20	3.35	10.16	3.48	10.11	3.61	9.91	3.52	9.71	3.43	9.30	3.25
	6.0	11.19	2.74	10.65	2.61	10.11	2.49	9.91	2.43	9.71	2.36	9.30	2.24
	10.0	11.19	2.54	10.65	2.42	10.11	2.31	9.91	2.25	9.71	2.19	9.30	2.08
15.0	11.19	2.29	10.65	2.18	10.11	2.08	9.91	2.03	9.71	1.97	9.30	1.87	

5. Capacity tables

Heating Capacity [-30G-]

Combination Capacity Index (kBtu/h)	Outdoor Air Temp. (°WB)	Indoor Air Temp. (°DB)											
		16.0		18.0		20.0		21.0		22.0		24.0	
		TC	PI	TC	PI	TC	PI	TC	PI	TC	PI	TC	PI
5+9+9+12	-15.0	6.56	2.56	6.51	2.69	6.47	2.82	6.44	2.89	6.42	2.95	6.38	3.09
	-10.0	7.77	2.82	7.73	2.95	7.68	3.09	7.66	3.15	7.64	3.22	7.60	3.35
	-5.0	8.99	3.09	8.94	3.22	8.90	3.35	8.88	3.41	8.85	3.48	8.81	3.61
	0.0	10.20	3.35	10.16	3.48	10.11	3.61	9.91	3.52	9.71	3.43	9.30	3.25
	6.0	11.19	2.74	10.65	2.61	10.11	2.49	9.91	2.43	9.71	2.36	9.30	2.24
	10.0	11.19	2.54	10.65	2.42	10.11	2.31	9.91	2.25	9.71	2.19	9.30	2.08
7+7+9+12	15.0	11.19	2.29	10.65	2.18	10.11	2.08	9.91	2.03	9.71	1.97	9.30	1.87
	-15.0	6.56	2.56	6.51	2.69	6.47	2.82	6.44	2.89	6.42	2.95	6.38	3.09
	-10.0	7.77	2.82	7.73	2.95	7.68	3.09	7.66	3.15	7.64	3.22	7.60	3.35
	-5.0	8.99	3.09	8.94	3.22	8.90	3.35	8.88	3.41	8.85	3.48	8.81	3.61
	0.0	10.20	3.35	10.16	3.48	10.11	3.61	9.91	3.52	9.71	3.43	9.30	3.25
	6.0	11.19	2.74	10.65	2.61	10.11	2.49	9.91	2.43	9.71	2.36	9.30	2.24
5+7+9+15	10.0	11.19	2.54	10.65	2.42	10.11	2.31	9.91	2.25	9.71	2.19	9.30	2.08
	15.0	11.19	2.29	10.65	2.18	10.11	2.08	9.91	2.03	9.71	1.97	9.30	1.87
	-15.0	6.56	2.56	6.51	2.69	6.47	2.82	6.44	2.89	6.42	2.95	6.38	3.09
	-10.0	7.77	2.82	7.73	2.95	7.68	3.09	7.66	3.15	7.64	3.22	7.60	3.35
	-5.0	8.99	3.09	8.94	3.22	8.90	3.35	8.88	3.41	8.85	3.48	8.81	3.61
	0.0	10.20	3.35	10.16	3.48	10.11	3.61	9.91	3.52	9.71	3.43	9.30	3.25
5+7+12+12	6.0	11.19	2.74	10.65	2.61	10.11	2.49	9.91	2.43	9.71	2.36	9.30	2.24
	10.0	11.19	2.54	10.65	2.42	10.11	2.31	9.91	2.25	9.71	2.19	9.30	2.08
	15.0	11.19	2.29	10.65	2.18	10.11	2.08	9.91	2.03	9.71	1.97	9.30	1.87
	-15.0	6.56	2.56	6.51	2.69	6.47	2.82	6.44	2.89	6.42	2.95	6.38	3.09
	-10.0	7.77	2.82	7.73	2.95	7.68	3.09	7.66	3.15	7.64	3.22	7.60	3.35
	-5.0	8.99	3.09	8.94	3.22	8.90	3.35	8.88	3.41	8.85	3.48	8.81	3.61
7+7+7+15	0.0	10.20	3.35	10.16	3.48	10.11	3.61	9.91	3.52	9.71	3.43	9.30	3.25
	6.0	11.19	2.74	10.65	2.61	10.11	2.49	9.91	2.43	9.71	2.36	9.30	2.24
	10.0	11.19	2.54	10.65	2.42	10.11	2.31	9.91	2.25	9.71	2.19	9.30	2.08
	15.0	11.19	2.29	10.65	2.18	10.11	2.08	9.91	2.03	9.71	1.97	9.30	1.87
	-15.0	6.56	2.56	6.51	2.69	6.47	2.82	6.44	2.89	6.42	2.95	6.38	3.09
	-10.0	7.77	2.82	7.73	2.95	7.68	3.09	7.66	3.15	7.64	3.22	7.60	3.35
9+9+9+9	-5.0	8.99	3.09	8.94	3.22	8.90	3.35	8.88	3.41	8.85	3.48	8.81	3.61
	0.0	10.20	3.35	10.16	3.48	10.11	3.61	9.91	3.52	9.71	3.43	9.30	3.25
	6.0	11.19	2.74	10.65	2.61	10.11	2.49	9.91	2.43	9.71	2.36	9.30	2.24
	10.0	11.19	2.54	10.65	2.42	10.11	2.31	9.91	2.25	9.71	2.19	9.30	2.08
	15.0	11.19	2.29	10.65	2.18	10.11	2.08	9.91	2.03	9.71	1.97	9.30	1.87
	-15.0	6.56	2.56	6.51	2.69	6.47	2.82	6.44	2.89	6.42	2.95	6.38	3.09
5+5+9+18	-10.0	7.77	2.82	7.73	2.95	7.68	3.09	7.66	3.15	7.64	3.22	7.60	3.35
	-5.0	8.99	3.09	8.94	3.22	8.90	3.35	8.88	3.41	8.85	3.48	8.81	3.61
	0.0	10.20	3.35	10.16	3.48	10.11	3.61	9.91	3.52	9.71	3.43	9.30	3.25
	6.0	11.19	2.74	10.65	2.61	10.11	2.49	9.91	2.43	9.71	2.36	9.30	2.24
	10.0	11.19	2.54	10.65	2.42	10.11	2.31	9.91	2.25	9.71	2.19	9.30	2.08
	15.0	11.19	2.29	10.65	2.18	10.11	2.08	9.91	2.03	9.71	1.97	9.30	1.87
5+5+12+15	-15.0	6.56	2.56	6.51	2.69	6.47	2.82	6.44	2.89	6.42	2.95	6.38	3.09
	-10.0	7.77	2.82	7.73	2.95	7.68	3.09	7.66	3.15	7.64	3.22	7.60	3.35
	-5.0	8.99	3.09	8.94	3.22	8.90	3.35	8.88	3.41	8.85	3.48	8.81	3.61
	0.0	10.20	3.35	10.16	3.48	10.11	3.61	9.91	3.52	9.71	3.43	9.30	3.25
	6.0	11.19	2.74	10.65	2.61	10.11	2.49	9.91	2.43	9.71	2.36	9.30	2.24
	10.0	11.19	2.54	10.65	2.42	10.11	2.31	9.91	2.25	9.71	2.19	9.30	2.08
5+7+7+18	15.0	11.19	2.29	10.65	2.18	10.11	2.08	9.91	2.03	9.71	1.97	9.30	1.87
	-15.0	6.56	2.56	6.51	2.69	6.47	2.82	6.44	2.89	6.42	2.95	6.38	3.09
	-10.0	7.77	2.82	7.73	2.95	7.68	3.09	7.66	3.15	7.64	3.22	7.60	3.35
	-5.0	8.99	3.09	8.94	3.22	8.90	3.35	8.88	3.41	8.85	3.48	8.81	3.61
	0.0	10.20	3.35	10.16	3.48	10.11	3.61	9.91	3.52	9.71	3.43	9.30	3.25
	6.0	11.19	2.74	10.65	2.61	10.11	2.49	9.91	2.43	9.71	2.36	9.30	2.24
7+9+9+12	10.0	11.19	2.54	10.65	2.42	10.11	2.31	9.91	2.25	9.71	2.19	9.30	2.08
	15.0	11.19	2.29	10.65	2.18	10.11	2.08	9.91	2.03	9.71	1.97	9.30	1.87
	-15.0	6.56	2.56	6.51	2.69	6.47	2.82	6.44	2.89	6.42	2.95	6.38	3.09
	-10.0	7.77	2.82	7.73	2.95	7.68	3.09	7.66	3.15	7.64	3.22	7.60	3.35
	-5.0	8.99	3.09	8.94	3.22	8.90	3.35	8.88	3.41	8.85	3.48	8.81	3.61
	0.0	10.20	3.35	10.16	3.48	10.11	3.61	9.91	3.52	9.71	3.43	9.30	3.25

5. Capacity tables

Heating Capacity [-30G-]

Combination Capacity Index (kBtu/h)	Outdoor Air Temp. (°WB)	Indoor Air Temp. (°DB)											
		16.0		18.0		20.0		21.0		22.0		24.0	
		TC	PI	TC	PI	TC	PI	TC	PI	TC	PI	TC	PI
5+9+9+15	-15.0	6.56	2.56	6.51	2.69	6.47	2.82	6.44	2.89	6.42	2.95	6.38	3.09
	-10.0	7.77	2.82	7.73	2.95	7.68	3.09	7.66	3.15	7.64	3.22	7.60	3.35
	-5.0	8.99	3.09	8.94	3.22	8.90	3.35	8.88	3.41	8.85	3.48	8.81	3.61
	0.0	10.20	3.35	10.16	3.48	10.11	3.61	9.91	3.52	9.71	3.43	9.30	3.25
	6.0	11.19	2.74	10.65	2.61	10.11	2.49	9.91	2.43	9.71	2.36	9.30	2.24
	10.0	11.19	2.54	10.65	2.42	10.11	2.31	9.91	2.25	9.71	2.19	9.30	2.08
7+7+9+15	-15.0	6.56	2.56	6.51	2.69	6.47	2.82	6.44	2.89	6.42	2.95	6.38	3.09
	-10.0	7.77	2.82	7.73	2.95	7.68	3.09	7.66	3.15	7.64	3.22	7.60	3.35
	-5.0	8.99	3.09	8.94	3.22	8.90	3.35	8.88	3.41	8.85	3.48	8.81	3.61
	0.0	10.20	3.35	10.16	3.48	10.11	3.61	9.91	3.52	9.71	3.43	9.30	3.25
	6.0	11.19	2.74	10.65	2.61	10.11	2.49	9.91	2.43	9.71	2.36	9.30	2.24
	10.0	11.19	2.54	10.65	2.42	10.11	2.31	9.91	2.25	9.71	2.19	9.30	2.08
7+7+12+12	-15.0	6.56	2.56	6.51	2.69	6.47	2.82	6.44	2.89	6.42	2.95	6.38	3.09
	-10.0	7.77	2.82	7.73	2.95	7.68	3.09	7.66	3.15	7.64	3.22	7.60	3.35
	-5.0	8.99	3.09	8.94	3.22	8.90	3.35	8.88	3.41	8.85	3.48	8.81	3.61
	0.0	10.20	3.35	10.16	3.48	10.11	3.61	9.91	3.52	9.71	3.43	9.30	3.25
	6.0	11.19	2.74	10.65	2.61	10.11	2.49	9.91	2.43	9.71	2.36	9.30	2.24
	10.0	11.19	2.54	10.65	2.42	10.11	2.31	9.91	2.25	9.71	2.19	9.30	2.08
5+5+5+24	-15.0	6.56	2.56	6.51	2.69	6.47	2.82	6.44	2.89	6.42	2.95	6.38	3.09
	-10.0	7.77	2.82	7.73	2.95	7.68	3.09	7.66	3.15	7.64	3.22	7.60	3.35
	-5.0	8.99	3.09	8.94	3.22	8.90	3.35	8.88	3.41	8.85	3.48	8.81	3.61
	0.0	10.20	3.35	10.16	3.48	10.11	3.61	9.91	3.52	9.71	3.43	9.30	3.25
	6.0	11.19	2.74	10.65	2.61	10.11	2.49	9.91	2.43	9.71	2.36	9.30	2.24
	10.0	11.19	2.54	10.65	2.42	10.11	2.31	9.91	2.25	9.71	2.19	9.30	2.08
5+7+9+18	-15.0	6.56	2.56	6.51	2.69	6.47	2.82	6.44	2.89	6.42	2.95	6.38	3.09
	-10.0	7.77	2.82	7.73	2.95	7.68	3.09	7.66	3.15	7.64	3.22	7.60	3.35
	-5.0	8.99	3.09	8.94	3.22	8.90	3.35	8.88	3.41	8.85	3.48	8.81	3.61
	0.0	10.20	3.35	10.16	3.48	10.11	3.61	9.91	3.52	9.71	3.43	9.30	3.25
	6.0	11.19	2.74	10.65	2.61	10.11	2.49	9.91	2.43	9.71	2.36	9.30	2.24
	10.0	11.19	2.54	10.65	2.42	10.11	2.31	9.91	2.25	9.71	2.19	9.30	2.08
5+7+12+15	-15.0	6.56	2.56	6.51	2.69	6.47	2.82	6.44	2.89	6.42	2.95	6.38	3.09
	-10.0	7.77	2.82	7.73	2.95	7.68	3.09	7.66	3.15	7.64	3.22	7.60	3.35
	-5.0	8.99	3.09	8.94	3.22	8.90	3.35	8.88	3.41	8.85	3.48	8.81	3.61
	0.0	10.20	3.35	10.16	3.48	10.11	3.61	9.91	3.52	9.71	3.43	9.30	3.25
	6.0	11.19	2.74	10.65	2.61	10.11	2.49	9.91	2.43	9.71	2.36	9.30	2.24
	10.0	11.19	2.54	10.65	2.42	10.11	2.31	9.91	2.25	9.71	2.19	9.30	2.08
9+9+9+12	-15.0	6.56	2.56	6.51	2.69	6.47	2.82	6.44	2.89	6.42	2.95	6.38	3.09
	-10.0	7.77	2.82	7.73	2.95	7.68	3.09	7.66	3.15	7.64	3.22	7.60	3.35
	-5.0	8.99	3.09	8.94	3.22	8.90	3.35	8.88	3.41	8.85	3.48	8.81	3.61
	0.0	10.20	3.35	10.16	3.48	10.11	3.61	9.91	3.52	9.71	3.43	9.30	3.25
	6.0	11.19	2.74	10.65	2.61	10.11	2.49	9.91	2.43	9.71	2.36	9.30	2.24
	10.0	11.19	2.54	10.65	2.42	10.11	2.31	9.91	2.25	9.71	2.19	9.30	2.08
7+7+7+18	-15.0	6.56	2.56	6.51	2.69	6.47	2.82	6.44	2.89	6.42	2.95	6.38	3.09
	-10.0	7.77	2.82	7.73	2.95	7.68	3.09	7.66	3.15	7.64	3.22	7.60	3.35
	-5.0	8.99	3.09	8.94	3.22	8.90	3.35	8.88	3.41	8.85	3.48	8.81	3.61
	0.0	10.20	3.35	10.16	3.48	10.11	3.61	9.91	3.52	9.71	3.43	9.30	3.25
	6.0	11.19	2.74	10.65	2.61	10.11	2.49	9.91	2.43	9.71	2.36	9.30	2.24
	10.0	11.19	2.54	10.65	2.42	10.11	2.31	9.91	2.25	9.71	2.19	9.30	2.08
5+5+12+18	-15.0	6.56	2.56	6.51	2.69	6.47	2.82	6.44	2.89	6.42	2.95	6.38	3.09
	-10.0	7.77	2.82	7.73	2.95	7.68	3.09	7.66	3.15	7.64	3.22	7.60	3.35
	-5.0	8.99	3.09	8.94	3.22	8.90	3.35	8.88	3.41	8.85	3.48	8.81	3.61
	0.0	10.20	3.35	10.16	3.48	10.11	3.61	9.91	3.52	9.71	3.43	9.30	3.25
	6.0	11.19	2.74	10.65	2.61	10.11	2.49	9.91	2.43	9.71	2.36	9.30	2.24
	10.0	11.19	2.54	10.65	2.42	10.11	2.31	9.91	2.25	9.71	2.19	9.30	2.08
7+9+9+15	-15.0	6.56	2.56	6.51	2.69	6.47	2.82	6.44	2.89	6.42	2.95	6.38	3.09
	-10.0	7.77	2.82	7.73	2.95	7.68	3.09	7.66	3.15	7.64	3.22	7.60	3.35
	-5.0	8.99	3.09	8.94	3.22	8.90	3.35	8.88	3.41	8.85	3.48	8.81	3.61
	0.0	10.20	3.35	10.16	3.48	10.11	3.61	9.91	3.52	9.71	3.43	9.30	3.25
	6.0	11.19	2.74	10.65	2.61	10.11	2.49	9.91	2.43	9.71	2.36	9.30	2.24
	10.0	11.19	2.54	10.65	2.42	10.11	2.31	9.91	2.25	9.71	2.19	9.30	2.08
	15.0	11.19	2.29	10.65	2.18	10.11	2.08	9.91	2.03	9.71	1.97	9.30	1.87

5. Capacity tables

Heating Capacity [-30G-]

Combination Capacity Index (kBtu/h)	Outdoor Air Temp. (°WB)	Indoor Air Temp. (°DB)											
		16.0		18.0		20.0		21.0		22.0		24.0	
		TC	PI	TC	PI	TC	PI	TC	PI	TC	PI	TC	PI
7+9+12+12	-15.0	6.56	2.56	6.51	2.69	6.47	2.82	6.44	2.89	6.42	2.95	6.38	3.09
	-10.0	7.77	2.82	7.73	2.95	7.68	3.09	7.66	3.15	7.64	3.22	7.60	3.35
	-5.0	8.99	3.09	8.94	3.22	8.90	3.35	8.88	3.41	8.85	3.48	8.81	3.61
	0.0	10.20	3.35	10.16	3.48	10.11	3.61	9.91	3.52	9.71	3.43	9.30	3.25
	6.0	11.19	2.74	10.65	2.61	10.11	2.49	9.91	2.43	9.71	2.36	9.30	2.24
	10.0	11.19	2.54	10.65	2.42	10.11	2.31	9.91	2.25	9.71	2.19	9.30	2.08
5+5+7+24	15.0	11.19	2.29	10.65	2.18	10.11	2.08	9.91	2.03	9.71	1.97	9.30	1.87
	-15.0	6.56	2.56	6.51	2.69	6.47	2.82	6.44	2.89	6.42	2.95	6.38	3.09
	-10.0	7.77	2.82	7.73	2.95	7.68	3.09	7.66	3.15	7.64	3.22	7.60	3.35
	-5.0	8.99	3.09	8.94	3.22	8.90	3.35	8.88	3.41	8.85	3.48	8.81	3.61
	0.0	10.20	3.35	10.16	3.48	10.11	3.61	9.91	3.52	9.71	3.43	9.30	3.25
	6.0	11.19	2.74	10.65	2.61	10.11	2.49	9.91	2.43	9.71	2.36	9.30	2.24
5+9+12+15	10.0	11.19	2.54	10.65	2.42	10.11	2.31	9.91	2.25	9.71	2.19	9.30	2.08
	15.0	11.19	2.29	10.65	2.18	10.11	2.08	9.91	2.03	9.71	1.97	9.30	1.87
	-15.0	6.56	2.56	6.51	2.69	6.47	2.82	6.44	2.89	6.42	2.95	6.38	3.09
	-10.0	7.77	2.82	7.73	2.95	7.68	3.09	7.66	3.15	7.64	3.22	7.60	3.35
	-5.0	8.99	3.09	8.94	3.22	8.90	3.35	8.88	3.41	8.85	3.48	8.81	3.61
	0.0	10.20	3.35	10.16	3.48	10.11	3.61	9.91	3.52	9.71	3.43	9.30	3.25
5+12+12+12	6.0	11.19	2.74	10.65	2.61	10.11	2.49	9.91	2.43	9.71	2.36	9.30	2.24
	10.0	11.19	2.54	10.65	2.42	10.11	2.31	9.91	2.25	9.71	2.19	9.30	2.08
	15.0	11.19	2.29	10.65	2.18	10.11	2.08	9.91	2.03	9.71	1.97	9.30	1.87
	-15.0	6.56	2.56	6.51	2.69	6.47	2.82	6.44	2.89	6.42	2.95	6.38	3.09
	-10.0	7.77	2.82	7.73	2.95	7.68	3.09	7.66	3.15	7.64	3.22	7.60	3.35
	-5.0	8.99	3.09	8.94	3.22	8.90	3.35	8.88	3.41	8.85	3.48	8.81	3.61
7+7+12+15	0.0	10.20	3.35	10.16	3.48	10.11	3.61	9.91	3.52	9.71	3.43	9.30	3.25
	6.0	11.19	2.74	10.65	2.61	10.11	2.49	9.91	2.43	9.71	2.36	9.30	2.24
	10.0	11.19	2.54	10.65	2.42	10.11	2.31	9.91	2.25	9.71	2.19	9.30	2.08
	15.0	11.19	2.29	10.65	2.18	10.11	2.08	9.91	2.03	9.71	1.97	9.30	1.87
	-15.0	6.56	2.56	6.51	2.69	6.47	2.82	6.44	2.89	6.42	2.95	6.38	3.09
	-10.0	7.77	2.82	7.73	2.95	7.68	3.09	7.66	3.15	7.64	3.22	7.60	3.35
7+7+9+18	-5.0	8.99	3.09	8.94	3.22	8.90	3.35	8.88	3.41	8.85	3.48	8.81	3.61
	0.0	10.20	3.35	10.16	3.48	10.11	3.61	9.91	3.52	9.71	3.43	9.30	3.25
	6.0	11.19	2.74	10.65	2.61	10.11	2.49	9.91	2.43	9.71	2.36	9.30	2.24
	10.0	11.19	2.54	10.65	2.42	10.11	2.31	9.91	2.25	9.71	2.19	9.30	2.08
	15.0	11.19	2.29	10.65	2.18	10.11	2.08	9.91	2.03	9.71	1.97	9.30	1.87
	-15.0	6.56	2.56	6.51	2.69	6.47	2.82	6.44	2.89	6.42	2.95	6.38	3.09
5+7+15+15	-10.0	7.77	2.82	7.73	2.95	7.68	3.09	7.66	3.15	7.64	3.22	7.60	3.35
	-5.0	8.99	3.09	8.94	3.22	8.90	3.35	8.88	3.41	8.85	3.48	8.81	3.61
	0.0	10.20	3.35	10.16	3.48	10.11	3.61	9.91	3.52	9.71	3.43	9.30	3.25
	6.0	11.19	2.74	10.65	2.61	10.11	2.49	9.91	2.43	9.71	2.36	9.30	2.24
	10.0	11.19	2.54	10.65	2.42	10.11	2.31	9.91	2.25	9.71	2.19	9.30	2.08
	15.0	11.19	2.29	10.65	2.18	10.11	2.08	9.91	2.03	9.71	1.97	9.30	1.87
9+9+9+15	-15.0	6.56	2.56	6.51	2.69	6.47	2.82	6.44	2.89	6.42	2.95	6.38	3.09
	-10.0	7.77	2.82	7.73	2.95	7.68	3.09	7.66	3.15	7.64	3.22	7.60	3.35
	-5.0	8.99	3.09	8.94	3.22	8.90	3.35	8.88	3.41	8.85	3.48	8.81	3.61
	0.0	10.20	3.35	10.16	3.48	10.11	3.61	9.91	3.52	9.71	3.43	9.30	3.25
	6.0	11.19	2.74	10.65	2.61	10.11	2.49	9.91	2.43	9.71	2.36	9.30	2.24
	10.0	11.19	2.54	10.65	2.42	10.11	2.31	9.91	2.25	9.71	2.19	9.30	2.08
9+9+12+12	15.0	11.19	2.29	10.65	2.18	10.11	2.08	9.91	2.03	9.71	1.97	9.30	1.87
	-15.0	6.56	2.56	6.51	2.69	6.47	2.82	6.44	2.89	6.42	2.95	6.38	3.09
	-10.0	7.77	2.82	7.73	2.95	7.68	3.09	7.66	3.15	7.64	3.22	7.60	3.35
	-5.0	8.99	3.09	8.94	3.22	8.90	3.35	8.88	3.41	8.85	3.48	8.81	3.61
	0.0	10.20	3.35	10.16	3.48	10.11	3.61	9.91	3.52	9.71	3.43	9.30	3.25
	6.0	11.19	2.74	10.65	2.61	10.11	2.49	9.91	2.43	9.71	2.36	9.30	2.24
7+9+12+15	10.0	11.19	2.54	10.65	2.42	10.11	2.31	9.91	2.25	9.71	2.19	9.30	2.08
	15.0	11.19	2.29	10.65	2.18	10.11	2.08	9.91	2.03	9.71	1.97	9.30	1.87
	-15.0	6.56	2.56	6.51	2.69	6.47	2.82	6.44	2.89	6.42	2.95	6.38	3.09
	-10.0	7.77	2.82	7.73	2.95	7.68	3.09	7.66	3.15	7.64	3.22	7.60	3.35
	-5.0	8.99	3.09	8.94	3.22	8.90	3.35	8.88	3.41	8.85	3.48	8.81	3.61
	0.0	10.20	3.35	10.16	3.48	10.11	3.61	9.91	3.52	9.71	3.43	9.30	3.25

5. Capacity tables

Heating Capacity [-30G-]

Combination Capacity Index (kBtu/h)	Outdoor Air Temp. (°WB)	Indoor Air Temp. (°DB)											
		16.0		18.0		20.0		21.0		22.0		24.0	
		TC	PI	TC	PI	TC	PI	TC	PI	TC	PI	TC	PI
7+9+12+18	-15.0	6.56	2.56	6.51	2.69	6.47	2.82	6.44	2.89	6.42	2.95	6.38	3.09
	-10.0	7.77	2.82	7.73	2.95	7.68	3.09	7.66	3.15	7.64	3.22	7.60	3.35
	-5.0	8.99	3.09	8.94	3.22	8.90	3.35	8.88	3.41	8.85	3.48	8.81	3.61
	0.0	10.20	3.35	10.16	3.48	10.11	3.61	9.91	3.52	9.71	3.43	9.30	3.25
	6.0	11.19	2.74	10.65	2.61	10.11	2.49	9.91	2.43	9.71	2.36	9.30	2.24
	10.0	11.19	2.54	10.65	2.42	10.11	2.31	9.91	2.25	9.71	2.19	9.30	2.08
7+9+15+15	-15.0	6.56	2.56	6.51	2.69	6.47	2.82	6.44	2.89	6.42	2.95	6.38	3.09
	-10.0	7.77	2.82	7.73	2.95	7.68	3.09	7.66	3.15	7.64	3.22	7.60	3.35
	-5.0	8.99	3.09	8.94	3.22	8.90	3.35	8.88	3.41	8.85	3.48	8.81	3.61
	0.0	10.20	3.35	10.16	3.48	10.11	3.61	9.91	3.52	9.71	3.43	9.30	3.25
	6.0	11.19	2.74	10.65	2.61	10.11	2.49	9.91	2.43	9.71	2.36	9.30	2.24
	10.0	11.19	2.54	10.65	2.42	10.11	2.31	9.91	2.25	9.71	2.19	9.30	2.08
7+12+12+15	-15.0	6.56	2.56	6.51	2.69	6.47	2.82	6.44	2.89	6.42	2.95	6.38	3.09
	-10.0	7.77	2.82	7.73	2.95	7.68	3.09	7.66	3.15	7.64	3.22	7.60	3.35
	-5.0	8.99	3.09	8.94	3.22	8.90	3.35	8.88	3.41	8.85	3.48	8.81	3.61
	0.0	10.20	3.35	10.16	3.48	10.11	3.61	9.91	3.52	9.71	3.43	9.30	3.25
	6.0	11.19	2.74	10.65	2.61	10.11	2.49	9.91	2.43	9.71	2.36	9.30	2.24
	10.0	11.19	2.54	10.65	2.42	10.11	2.31	9.91	2.25	9.71	2.19	9.30	2.08
5+12+12+18	-15.0	6.56	2.56	6.51	2.69	6.47	2.82	6.44	2.89	6.42	2.95	6.38	3.09
	-10.0	7.77	2.82	7.73	2.95	7.68	3.09	7.66	3.15	7.64	3.22	7.60	3.35
	-5.0	8.99	3.09	8.94	3.22	8.90	3.35	8.88	3.41	8.85	3.48	8.81	3.61
	0.0	10.20	3.35	10.16	3.48	10.11	3.61	9.91	3.52	9.71	3.43	9.30	3.25
	6.0	11.19	2.74	10.65	2.61	10.11	2.49	9.91	2.43	9.71	2.36	9.30	2.24
	10.0	11.19	2.54	10.65	2.42	10.11	2.31	9.91	2.25	9.71	2.19	9.30	2.08
7+7+9+24	-15.0	6.56	2.56	6.51	2.69	6.47	2.82	6.44	2.89	6.42	2.95	6.38	3.09
	-10.0	7.77	2.82	7.73	2.95	7.68	3.09	7.66	3.15	7.64	3.22	7.60	3.35
	-5.0	8.99	3.09	8.94	3.22	8.90	3.35	8.88	3.41	8.85	3.48	8.81	3.61
	0.0	10.20	3.35	10.16	3.48	10.11	3.61	9.91	3.52	9.71	3.43	9.30	3.25
	6.0	11.19	2.74	10.65	2.61	10.11	2.49	9.91	2.43	9.71	2.36	9.30	2.24
	10.0	11.19	2.54	10.65	2.42	10.11	2.31	9.91	2.25	9.71	2.19	9.30	2.08
7+7+15+18	-15.0	6.56	2.56	6.51	2.69	6.47	2.82	6.44	2.89	6.42	2.95	6.38	3.09
	-10.0	7.77	2.82	7.73	2.95	7.68	3.09	7.66	3.15	7.64	3.22	7.60	3.35
	-5.0	8.99	3.09	8.94	3.22	8.90	3.35	8.88	3.41	8.85	3.48	8.81	3.61
	0.0	10.20	3.35	10.16	3.48	10.11	3.61	9.91	3.52	9.71	3.43	9.30	3.25
	6.0	11.19	2.74	10.65	2.61	10.11	2.49	9.91	2.43	9.71	2.36	9.30	2.24
	10.0	11.19	2.54	10.65	2.42	10.11	2.31	9.91	2.25	9.71	2.19	9.30	2.08
5+9+15+18	-15.0	6.56	2.56	6.51	2.69	6.47	2.82	6.44	2.89	6.42	2.95	6.38	3.09
	-10.0	7.77	2.82	7.73	2.95	7.68	3.09	7.66	3.15	7.64	3.22	7.60	3.35
	-5.0	8.99	3.09	8.94	3.22	8.90	3.35	8.88	3.41	8.85	3.48	8.81	3.61
	0.0	10.20	3.35	10.16	3.48	10.11	3.61	9.91	3.52	9.71	3.43	9.30	3.25
	6.0	11.19	2.74	10.65	2.61	10.11	2.49	9.91	2.43	9.71	2.36	9.30	2.24
	10.0	11.19	2.54	10.65	2.42	10.11	2.31	9.91	2.25	9.71	2.19	9.30	2.08
5+12+15+15	-15.0	6.56	2.56	6.51	2.69	6.47	2.82	6.44	2.89	6.42	2.95	6.38	3.09
	-10.0	7.77	2.82	7.73	2.95	7.68	3.09	7.66	3.15	7.64	3.22	7.60	3.35
	-5.0	8.99	3.09	8.94	3.22	8.90	3.35	8.88	3.41	8.85	3.48	8.81	3.61
	0.0	10.20	3.35	10.16	3.48	10.11	3.61	9.91	3.52	9.71	3.43	9.30	3.25
	6.0	11.19	2.74	10.65	2.61	10.11	2.49	9.91	2.43	9.71	2.36	9.30	2.24
	10.0	11.19	2.54	10.65	2.42	10.11	2.31	9.91	2.25	9.71	2.19	9.30	2.08
9+9+15+15	-15.0	6.56	2.56	6.51	2.69	6.47	2.82	6.44	2.89	6.42	2.95	6.38	3.09
	-10.0	7.77	2.82	7.73	2.95	7.68	3.09	7.66	3.15	7.64	3.22	7.60	3.35
	-5.0	8.99	3.09	8.94	3.22	8.90	3.35	8.88	3.41	8.85	3.48	8.81	3.61
	0.0	10.20	3.35	10.16	3.48	10.11	3.61	9.91	3.52	9.71	3.43	9.30	3.25
	6.0	11.19	2.74	10.65	2.61	10.11	2.49	9.91	2.43	9.71	2.36	9.30	2.24
	10.0	11.19	2.54	10.65	2.42	10.11	2.31	9.91	2.25	9.71	2.19	9.30	2.08
12+12+12+12	-15.0	6.56	2.56	6.51	2.69	6.47	2.82	6.44	2.89	6.42	2.95	6.38	3.09
	-10.0	7.77	2.82	7.73	2.95	7.68	3.09	7.66	3.15	7.64	3.22	7.60	3.35
	-5.0	8.99	3.09	8.94	3.22	8.90	3.35	8.88	3.41	8.85	3.48	8.81	3.61
	0.0	10.20	3.35	10.16	3.48	10.11	3.61	9.91	3.52	9.71	3.43	9.30	3.25
	6.0	11.19	2.74	10.65	2.61	10.11	2.49	9.91	2.43	9.71	2.36	9.30	2.24
	10.0	11.19	2.54	10.65	2.42	10.11	2.31	9.91	2.25	9.71	2.19	9.30	2.08
	15.0	11.19	2.29	10.65	2.18	10.11	2.08	9.91	2.03	9.71	1.97	9.30	1.87

5. Capacity tables

Heating Capacity [-30G-]

Combination Capacity Index (kBtu/h)	Outdoor Air Temp. (°CWB)	Indoor Air Temp. (°CDB)											
		16.0		18.0		20.0		21.0		22.0		24.0	
		TC	PI	TC	PI	TC	PI	TC	PI	TC	PI	TC	PI
9+9+12+18	-15.0	6.56	2.56	6.51	2.69	6.47	2.82	6.44	2.89	6.42	2.95	6.38	3.09
	-10.0	7.77	2.82	7.73	2.95	7.68	3.09	7.66	3.15	7.64	3.22	7.60	3.35
	-5.0	8.99	3.09	8.94	3.22	8.90	3.35	8.88	3.41	8.85	3.48	8.81	3.61
	0.0	10.20	3.35	10.16	3.48	10.11	3.61	9.91	3.52	9.71	3.43	9.30	3.25
	6.0	11.19	2.74	10.65	2.61	10.11	2.49	9.91	2.43	9.71	2.36	9.30	2.24
	10.0	11.19	2.54	10.65	2.42	10.11	2.31	9.91	2.25	9.71	2.19	9.30	2.08
15.0	11.19	2.29	10.65	2.18	10.11	2.08	9.91	2.03	9.71	1.97	9.30	1.87	
5 Units Operation													
5+5+5+5+5	-15.0	6.47	2.19	6.43	2.30	6.38	2.41	6.36	2.46	6.34	2.52	6.30	2.63
	-10.0	7.67	2.41	7.63	2.52	7.58	2.63	7.56	2.69	7.54	2.74	7.50	2.85
	-5.0	8.87	2.63	8.83	2.74	8.78	2.85	8.62	2.91	8.44	2.97	8.09	3.08
	0.0	9.73	2.83	9.26	2.74	8.79	2.65	8.62	2.60	8.44	2.56	8.09	2.46
	6.0	9.73	2.01	9.26	1.92	8.79	1.82	8.62	1.78	8.44	1.73	8.09	1.64
	10.0	9.73	1.86	9.26	1.78	8.79	1.69	8.62	1.65	8.44	1.61	8.09	1.52
15.0	9.73	1.68	9.26	1.60	8.79	1.52	8.62	1.49	8.44	1.45	8.09	1.37	
5+5+5+5+7	-15.0	6.52	2.20	6.47	2.31	6.43	2.42	6.41	2.48	6.38	2.54	6.34	2.65
	-10.0	7.73	2.42	7.68	2.54	7.63	2.65	7.61	2.71	7.59	2.76	7.55	2.87
	-5.0	8.93	2.65	8.89	2.76	8.84	2.87	8.82	2.93	8.80	2.99	8.74	3.10
	0.0	10.14	2.87	10.00	2.99	9.50	2.90	9.31	2.85	9.12	2.80	8.74	2.70
	6.0	10.51	2.20	10.00	2.10	9.50	2.00	9.31	1.95	9.12	1.90	8.74	1.80
	10.0	10.51	2.04	10.00	1.94	9.50	1.85	9.31	1.80	9.12	1.76	8.74	1.67
15.0	10.51	1.84	10.00	1.75	9.50	1.67	9.31	1.63	9.12	1.58	8.74	1.50	
5+5+5+5+9	-15.0	6.56	2.21	6.51	2.33	6.47	2.44	6.44	2.50	6.42	2.55	6.38	2.67
	-10.0	7.77	2.44	7.73	2.55	7.68	2.67	7.66	2.72	7.64	2.78	7.60	2.89
	-5.0	8.99	2.67	8.94	2.78	8.90	2.89	8.88	2.95	8.85	3.00	8.81	3.12
	0.0	10.20	2.89	10.16	3.00	10.11	3.12	9.91	3.04	9.71	2.96	9.30	2.81
	6.0	11.19	2.36	10.65	2.26	10.11	2.15	9.91	2.10	9.71	2.04	9.30	1.93
	10.0	11.19	2.19	10.65	2.09	10.11	1.99	9.91	1.94	9.71	1.89	9.30	1.79
15.0	11.19	1.97	10.65	1.88	10.11	1.79	9.91	1.75	9.71	1.71	9.30	1.62	
5+5+5+7+7	-15.0	6.56	2.21	6.51	2.33	6.47	2.44	6.44	2.50	6.42	2.55	6.38	2.67
	-10.0	7.77	2.44	7.73	2.55	7.68	2.67	7.66	2.72	7.64	2.78	7.60	2.89
	-5.0	8.99	2.67	8.94	2.78	8.90	2.89	8.88	2.95	8.85	3.00	8.81	3.12
	0.0	10.20	2.89	10.16	3.00	10.11	3.12	9.91	3.04	9.71	2.96	9.30	2.81
	6.0	11.19	2.36	10.65	2.26	10.11	2.15	9.91	2.10	9.71	2.04	9.30	1.93
	10.0	11.19	2.19	10.65	2.09	10.11	1.99	9.91	1.94	9.71	1.89	9.30	1.79
15.0	11.19	1.97	10.65	1.88	10.11	1.79	9.91	1.75	9.71	1.71	9.30	1.62	
5+5+5+7+9	-15.0	6.56	2.21	6.51	2.33	6.47	2.44	6.44	2.50	6.42	2.55	6.38	2.67
	-10.0	7.77	2.44	7.73	2.55	7.68	2.67	7.66	2.72	7.64	2.78	7.60	2.89
	-5.0	8.99	2.67	8.94	2.78	8.90	2.89	8.88	2.95	8.85	3.00	8.81	3.12
	0.0	10.20	2.89	10.16	3.00	10.11	3.12	9.91	3.04	9.71	2.96	9.30	2.81
	6.0	11.19	2.36	10.65	2.26	10.11	2.15	9.91	2.10	9.71	2.04	9.30	1.93
	10.0	11.19	2.19	10.65	2.09	10.11	1.99	9.91	1.94	9.71	1.89	9.30	1.79
15.0	11.19	1.97	10.65	1.88	10.11	1.79	9.91	1.75	9.71	1.71	9.30	1.62	
5+5+7+7+7	-15.0	6.56	2.21	6.51	2.33	6.47	2.44	6.44	2.50	6.42	2.55	6.38	2.67
	-10.0	7.77	2.44	7.73	2.55	7.68	2.67	7.66	2.72	7.64	2.78	7.60	2.89
	-5.0	8.99	2.67	8.94	2.78	8.90	2.89	8.88	2.95	8.85	3.00	8.81	3.12
	0.0	10.20	2.89	10.16	3.00	10.11	3.12	9.91	3.04	9.71	2.96	9.30	2.81
	6.0	11.19	2.36	10.65	2.26	10.11	2.15	9.91	2.10	9.71	2.04	9.30	1.93
	10.0	11.19	2.19	10.65	2.09	10.11	1.99	9.91	1.94	9.71	1.89	9.30	1.79
15.0	11.19	1.97	10.65	1.88	10.11	1.79	9.91	1.75	9.71	1.71	9.30	1.62	
5+5+5+5+12	-15.0	6.56	2.21	6.51	2.33	6.47	2.44	6.44	2.50	6.42	2.55	6.38	2.67
	-10.0	7.77	2.44	7.73	2.55	7.68	2.67	7.66	2.72	7.64	2.78	7.60	2.89
	-5.0	8.99	2.67	8.94	2.78	8.90	2.89	8.88	2.95	8.85	3.00	8.81	3.12
	0.0	10.20	2.89	10.16	3.00	10.11	3.12	9.91	3.04	9.71	2.96	9.30	2.81
	6.0	11.19	2.36	10.65	2.26	10.11	2.15	9.91	2.10	9.71	2.04	9.30	1.93
	10.0	11.19	2.19	10.65	2.09	10.11	1.99	9.91	1.94	9.71	1.89	9.30	1.79
15.0	11.19	1.97	10.65	1.88	10.11	1.79	9.91	1.75	9.71	1.71	9.30	1.62	
5+5+5+9+9	-15.0	6.56	2.21	6.51	2.33	6.47	2.44	6.44	2.50	6.42	2.55	6.38	2.67
	-10.0	7.77	2.44	7.73	2.55	7.68	2.67	7.66	2.72	7.64	2.78	7.60	2.89
	-5.0	8.99	2.67	8.94	2.78	8.90	2.89	8.88	2.95	8.85	3.00	8.81	3.12
	0.0	10.20	2.89	10.16	3.00	10.11	3.12	9.91	3.04	9.71	2.96	9.30	2.81
	6.0	11.19	2.36	10.65	2.26	10.11	2.15	9.91	2.10	9.71	2.04	9.30	1.93
	10.0	11.19	2.19	10.65	2.09	10.11	1.99	9.91	1.94	9.71	1.89	9.30	1.79
15.0	11.19	1.97	10.65	1.88	10.11	1.79	9.91	1.75	9.71	1.71	9.30	1.62	
5+5+7+7+9	-15.0	6.56	2.21	6.51	2.33	6.47	2.44	6.44	2.50	6.42	2.55	6.38	2.67
	-10.0	7.77	2.44	7.73	2.55	7.68	2.67	7.66	2.72	7.64	2.78	7.60	2.89
	-5.0	8.99	2.67	8.94	2.78	8.90	2.89	8.88	2.95	8.85	3.00	8.81	3.12
	0.0	10.20	2.89	10.16	3.00	10.11	3.12	9.91	3.04	9.71	2.96	9.30	2.81
	6.0	11.19	2.36	10.65	2.26	10.11	2.15	9.91	2.10	9.71	2.04	9.30	1.93
	10.0	11.19	2.19	10.65	2.09	10.11	1.99	9.91	1.94	9.71	1.89	9.30	1.79
15.0	11.19	1.97	10.65	1.88	10.11	1.79	9.91	1.75	9.71	1.71	9.30	1.62	

5. Capacity tables

Heating Capacity [-30G-]

Combination Capacity Index (kBtu/h)	Outdoor Air Temp. (°WB)	Indoor Air Temp. (°DB)											
		16.0		18.0		20.0		21.0		22.0		24.0	
		TC	PI	TC	PI	TC	PI	TC	PI	TC	PI	TC	PI
5+7+7+7+7	-15.0	6.56	2.21	6.51	2.33	6.47	2.44	6.44	2.50	6.42	2.55	6.38	2.67
	-10.0	7.77	2.44	7.73	2.55	7.68	2.67	7.66	2.72	7.64	2.78	7.60	2.89
	-5.0	8.99	2.67	8.94	2.78	8.90	2.89	8.88	2.95	8.85	3.00	8.81	3.12
	0.0	10.20	2.89	10.16	3.00	10.11	3.12	9.91	3.04	9.71	2.96	9.30	2.81
	6.0	11.19	2.36	10.65	2.26	10.11	2.15	9.91	2.10	9.71	2.04	9.30	1.93
	10.0	11.19	2.19	10.65	2.09	10.11	1.99	9.91	1.94	9.71	1.89	9.30	1.79
5+5+5+7+12	-15.0	6.56	2.21	6.51	2.33	6.47	2.44	6.44	2.50	6.42	2.55	6.38	2.67
	-10.0	7.77	2.44	7.73	2.55	7.68	2.67	7.66	2.72	7.64	2.78	7.60	2.89
	-5.0	8.99	2.67	8.94	2.78	8.90	2.89	8.88	2.95	8.85	3.00	8.81	3.12
	0.0	10.20	2.89	10.16	3.00	10.11	3.12	9.91	3.04	9.71	2.96	9.30	2.81
	6.0	11.19	2.36	10.65	2.26	10.11	2.15	9.91	2.10	9.71	2.04	9.30	1.93
	10.0	11.19	2.19	10.65	2.09	10.11	1.99	9.91	1.94	9.71	1.89	9.30	1.79
5+5+5+5+15	-15.0	6.56	2.21	6.51	2.33	6.47	2.44	6.44	2.50	6.42	2.55	6.38	2.67
	-10.0	7.77	2.44	7.73	2.55	7.68	2.67	7.66	2.72	7.64	2.78	7.60	2.89
	-5.0	8.99	2.67	8.94	2.78	8.90	2.89	8.88	2.95	8.85	3.00	8.81	3.12
	0.0	10.20	2.89	10.16	3.00	10.11	3.12	9.91	3.04	9.71	2.96	9.30	2.81
	6.0	11.19	2.36	10.65	2.26	10.11	2.15	9.91	2.10	9.71	2.04	9.30	1.93
	10.0	11.19	2.19	10.65	2.09	10.11	1.99	9.91	1.94	9.71	1.89	9.30	1.79
5+5+7+9+9	-15.0	6.56	2.21	6.51	2.33	6.47	2.44	6.44	2.50	6.42	2.55	6.38	2.67
	-10.0	7.77	2.44	7.73	2.55	7.68	2.67	7.66	2.72	7.64	2.78	7.60	2.89
	-5.0	8.99	2.67	8.94	2.78	8.90	2.89	8.88	2.95	8.85	3.00	8.81	3.12
	0.0	10.20	2.89	10.16	3.00	10.11	3.12	9.91	3.04	9.71	2.96	9.30	2.81
	6.0	11.19	2.36	10.65	2.26	10.11	2.15	9.91	2.10	9.71	2.04	9.30	1.93
	10.0	11.19	2.19	10.65	2.09	10.11	1.99	9.91	1.94	9.71	1.89	9.30	1.79
5+7+7+7+9	-15.0	6.56	2.21	6.51	2.33	6.47	2.44	6.44	2.50	6.42	2.55	6.38	2.67
	-10.0	7.77	2.44	7.73	2.55	7.68	2.67	7.66	2.72	7.64	2.78	7.60	2.89
	-5.0	8.99	2.67	8.94	2.78	8.90	2.89	8.88	2.95	8.85	3.00	8.81	3.12
	0.0	10.20	2.89	10.16	3.00	10.11	3.12	9.91	3.04	9.71	2.96	9.30	2.81
	6.0	11.19	2.36	10.65	2.26	10.11	2.15	9.91	2.10	9.71	2.04	9.30	1.93
	10.0	11.19	2.19	10.65	2.09	10.11	1.99	9.91	1.94	9.71	1.89	9.30	1.79
7+7+7+7+7	-15.0	6.56	2.21	6.51	2.33	6.47	2.44	6.44	2.50	6.42	2.55	6.38	2.67
	-10.0	7.77	2.44	7.73	2.55	7.68	2.67	7.66	2.72	7.64	2.78	7.60	2.89
	-5.0	8.99	2.67	8.94	2.78	8.90	2.89	8.88	2.95	8.85	3.00	8.81	3.12
	0.0	10.20	2.89	10.16	3.00	10.11	3.12	9.91	3.04	9.71	2.96	9.30	2.81
	6.0	11.19	2.36	10.65	2.26	10.11	2.15	9.91	2.10	9.71	2.04	9.30	1.93
	10.0	11.19	2.19	10.65	2.09	10.11	1.99	9.91	1.94	9.71	1.89	9.30	1.79
5+5+5+9+12	-15.0	6.56	2.21	6.51	2.33	6.47	2.44	6.44	2.50	6.42	2.55	6.38	2.67
	-10.0	7.77	2.44	7.73	2.55	7.68	2.67	7.66	2.72	7.64	2.78	7.60	2.89
	-5.0	8.99	2.67	8.94	2.78	8.90	2.89	8.88	2.95	8.85	3.00	8.81	3.12
	0.0	10.20	2.89	10.16	3.00	10.11	3.12	9.91	3.04	9.71	2.96	9.30	2.81
	6.0	11.19	2.36	10.65	2.26	10.11	2.15	9.91	2.10	9.71	2.04	9.30	1.93
	10.0	11.19	2.19	10.65	2.09	10.11	1.99	9.91	1.94	9.71	1.89	9.30	1.79
5+5+7+7+12	-15.0	6.56	2.21	6.51	2.33	6.47	2.44	6.44	2.50	6.42	2.55	6.38	2.67
	-10.0	7.77	2.44	7.73	2.55	7.68	2.67	7.66	2.72	7.64	2.78	7.60	2.89
	-5.0	8.99	2.67	8.94	2.78	8.90	2.89	8.88	2.95	8.85	3.00	8.81	3.12
	0.0	10.20	2.89	10.16	3.00	10.11	3.12	9.91	3.04	9.71	2.96	9.30	2.81
	6.0	11.19	2.36	10.65	2.26	10.11	2.15	9.91	2.10	9.71	2.04	9.30	1.93
	10.0	11.19	2.19	10.65	2.09	10.11	1.99	9.91	1.94	9.71	1.89	9.30	1.79
5+5+5+7+15	-15.0	6.56	2.21	6.51	2.33	6.47	2.44	6.44	2.50	6.42	2.55	6.38	2.67
	-10.0	7.77	2.44	7.73	2.55	7.68	2.67	7.66	2.72	7.64	2.78	7.60	2.89
	-5.0	8.99	2.67	8.94	2.78	8.90	2.89	8.88	2.95	8.85	3.00	8.81	3.12
	0.0	10.20	2.89	10.16	3.00	10.11	3.12	9.91	3.04	9.71	2.96	9.30	2.81
	6.0	11.19	2.36	10.65	2.26	10.11	2.15	9.91	2.10	9.71	2.04	9.30	1.93
	10.0	11.19	2.19	10.65	2.09	10.11	1.99	9.91	1.94	9.71	1.89	9.30	1.79
5+5+9+9+9	-15.0	6.56	2.21	6.51	2.33	6.47	2.44	6.44	2.50	6.42	2.55	6.38	2.67
	-10.0	7.77	2.44	7.73	2.55	7.68	2.67	7.66	2.72	7.64	2.78	7.60	2.89
	-5.0	8.99	2.67	8.94	2.78	8.90	2.89	8.88	2.95	8.85	3.00	8.81	3.12
	0.0	10.20	2.89	10.16	3.00	10.11	3.12	9.91	3.04	9.71	2.96	9.30	2.81
	6.0	11.19	2.36	10.65	2.26	10.11	2.15	9.91	2.10	9.71	2.04	9.30	1.93
	10.0	11.19	2.19	10.65	2.09	10.11	1.99	9.91	1.94	9.71	1.89	9.30	1.79
15.0	11.19	1.97	10.65	1.88	10.11	1.79	9.91	1.75	9.71	1.71	9.30	1.62	

5. Capacity tables

Heating Capacity [-30G-]

Combination Capacity Index (kBtu/h)	Outdoor Air Temp. (°WB)	Indoor Air Temp. (°DB)											
		16.0		18.0		20.0		21.0		22.0		24.0	
		TC	PI	TC	PI	TC	PI	TC	PI	TC	PI	TC	PI
5+7+7+9+9	-15.0	6.56	2.21	6.51	2.33	6.47	2.44	6.44	2.50	6.42	2.55	6.38	2.67
	-10.0	7.77	2.44	7.73	2.55	7.68	2.67	7.66	2.72	7.64	2.78	7.60	2.89
	-5.0	8.99	2.67	8.94	2.78	8.90	2.89	8.88	2.95	8.85	3.00	8.81	3.12
	0.0	10.20	2.89	10.16	3.00	10.11	3.12	9.91	3.04	9.71	2.96	9.30	2.81
	6.0	11.19	2.36	10.65	2.26	10.11	2.15	9.91	2.10	9.71	2.04	9.30	1.93
	10.0	11.19	2.19	10.65	2.09	10.11	1.99	9.91	1.94	9.71	1.89	9.30	1.79
7+7+7+7+9	-15.0	6.56	2.21	6.51	2.33	6.47	2.44	6.44	2.50	6.42	2.55	6.38	2.67
	-10.0	7.77	2.44	7.73	2.55	7.68	2.67	7.66	2.72	7.64	2.78	7.60	2.89
	-5.0	8.99	2.67	8.94	2.78	8.90	2.89	8.88	2.95	8.85	3.00	8.81	3.12
	0.0	10.20	2.89	10.16	3.00	10.11	3.12	9.91	3.04	9.71	2.96	9.30	2.81
	6.0	11.19	2.36	10.65	2.26	10.11	2.15	9.91	2.10	9.71	2.04	9.30	1.93
	10.0	11.19	2.19	10.65	2.09	10.11	1.99	9.91	1.94	9.71	1.89	9.30	1.79
5+5+5+5+18	-15.0	6.56	2.21	6.51	2.33	6.47	2.44	6.44	2.50	6.42	2.55	6.38	2.67
	-10.0	7.77	2.44	7.73	2.55	7.68	2.67	7.66	2.72	7.64	2.78	7.60	2.89
	-5.0	8.99	2.67	8.94	2.78	8.90	2.89	8.88	2.95	8.85	3.00	8.81	3.12
	0.0	10.20	2.89	10.16	3.00	10.11	3.12	9.91	3.04	9.71	2.96	9.30	2.81
	6.0	11.19	2.36	10.65	2.26	10.11	2.15	9.91	2.10	9.71	2.04	9.30	1.93
	10.0	11.19	2.19	10.65	2.09	10.11	1.99	9.91	1.94	9.71	1.89	9.30	1.79
5+7+7+7+12	-15.0	6.56	2.21	6.51	2.33	6.47	2.44	6.44	2.50	6.42	2.55	6.38	2.67
	-10.0	7.77	2.44	7.73	2.55	7.68	2.67	7.66	2.72	7.64	2.78	7.60	2.89
	-5.0	8.99	2.67	8.94	2.78	8.90	2.89	8.88	2.95	8.85	3.00	8.81	3.12
	0.0	10.20	2.89	10.16	3.00	10.11	3.12	9.91	3.04	9.71	2.96	9.30	2.81
	6.0	11.19	2.36	10.65	2.26	10.11	2.15	9.91	2.10	9.71	2.04	9.30	1.93
	10.0	11.19	2.19	10.65	2.09	10.11	1.99	9.91	1.94	9.71	1.89	9.30	1.79
5+5+5+9+15	-15.0	6.56	2.21	6.51	2.33	6.47	2.44	6.44	2.50	6.42	2.55	6.38	2.67
	-10.0	7.77	2.44	7.73	2.55	7.68	2.67	7.66	2.72	7.64	2.78	7.60	2.89
	-5.0	8.99	2.67	8.94	2.78	8.90	2.89	8.88	2.95	8.85	3.00	8.81	3.12
	0.0	10.20	2.89	10.16	3.00	10.11	3.12	9.91	3.04	9.71	2.96	9.30	2.81
	6.0	11.19	2.36	10.65	2.26	10.11	2.15	9.91	2.10	9.71	2.04	9.30	1.93
	10.0	11.19	2.19	10.65	2.09	10.11	1.99	9.91	1.94	9.71	1.89	9.30	1.79
5+5+5+12+12	-15.0	6.56	2.21	6.51	2.33	6.47	2.44	6.44	2.50	6.42	2.55	6.38	2.67
	-10.0	7.77	2.44	7.73	2.55	7.68	2.67	7.66	2.72	7.64	2.78	7.60	2.89
	-5.0	8.99	2.67	8.94	2.78	8.90	2.89	8.88	2.95	8.85	3.00	8.81	3.12
	0.0	10.20	2.89	10.16	3.00	10.11	3.12	9.91	3.04	9.71	2.96	9.30	2.81
	6.0	11.19	2.36	10.65	2.26	10.11	2.15	9.91	2.10	9.71	2.04	9.30	1.93
	10.0	11.19	2.19	10.65	2.09	10.11	1.99	9.91	1.94	9.71	1.89	9.30	1.79
5+5+7+7+15	-15.0	6.56	2.21	6.51	2.33	6.47	2.44	6.44	2.50	6.42	2.55	6.38	2.67
	-10.0	7.77	2.44	7.73	2.55	7.68	2.67	7.66	2.72	7.64	2.78	7.60	2.89
	-5.0	8.99	2.67	8.94	2.78	8.90	2.89	8.88	2.95	8.85	3.00	8.81	3.12
	0.0	10.20	2.89	10.16	3.00	10.11	3.12	9.91	3.04	9.71	2.96	9.30	2.81
	6.0	11.19	2.36	10.65	2.26	10.11	2.15	9.91	2.10	9.71	2.04	9.30	1.93
	10.0	11.19	2.19	10.65	2.09	10.11	1.99	9.91	1.94	9.71	1.89	9.30	1.79
7+7+7+9+9	-15.0	6.56	2.21	6.51	2.33	6.47	2.44	6.44	2.50	6.42	2.55	6.38	2.67
	-10.0	7.77	2.44	7.73	2.55	7.68	2.67	7.66	2.72	7.64	2.78	7.60	2.89
	-5.0	8.99	2.67	8.94	2.78	8.90	2.89	8.88	2.95	8.85	3.00	8.81	3.12
	0.0	10.20	2.89	10.16	3.00	10.11	3.12	9.91	3.04	9.71	2.96	9.30	2.81
	6.0	11.19	2.36	10.65	2.26	10.11	2.15	9.91	2.10	9.71	2.04	9.30	1.93
	10.0	11.19	2.19	10.65	2.09	10.11	1.99	9.91	1.94	9.71	1.89	9.30	1.79
5+7+9+9+9	-15.0	6.56	2.21	6.51	2.33	6.47	2.44	6.44	2.50	6.42	2.55	6.38	2.67
	-10.0	7.77	2.44	7.73	2.55	7.68	2.67	7.66	2.72	7.64	2.78	7.60	2.89
	-5.0	8.99	2.67	8.94	2.78	8.90	2.89	8.88	2.95	8.85	3.00	8.81	3.12
	0.0	10.20	2.89	10.16	3.00	10.11	3.12	9.91	3.04	9.71	2.96	9.30	2.81
	6.0	11.19	2.36	10.65	2.26	10.11	2.15	9.91	2.10	9.71	2.04	9.30	1.93
	10.0	11.19	2.19	10.65	2.09	10.11	1.99	9.91	1.94	9.71	1.89	9.30	1.79
5+5+5+7+18	-15.0	6.56	2.21	6.51	2.33	6.47	2.44	6.44	2.50	6.42	2.55	6.38	2.67
	-10.0	7.77	2.44	7.73	2.55	7.68	2.67	7.66	2.72	7.64	2.78	7.60	2.89
	-5.0	8.99	2.67	8.94	2.78	8.90	2.89	8.88	2.95	8.85	3.00	8.81	3.12
	0.0	10.20	2.89	10.16	3.00	10.11	3.12	9.91	3.04	9.71	2.96	9.30	2.81
	6.0	11.19	2.36	10.65	2.26	10.11	2.15	9.91	2.10	9.71	2.04	9.30	1.93
	10.0	11.19	2.19	10.65	2.09	10.11	1.99	9.91	1.94	9.71	1.89	9.30	1.79
15.0	11.19	1.97	10.65	1.88	10.11	1.79	9.91	1.75	9.71	1.71	9.30	1.62	

5. Capacity tables

Heating Capacity [-30G-]

Combination Capacity Index (kBtu/h)	Outdoor Air Temp. (°WB)	Indoor Air Temp. (°DB)											
		16.0		18.0		20.0		21.0		22.0		24.0	
		TC	PI	TC	PI	TC	PI	TC	PI	TC	PI	TC	PI
5+7+9+9+12	-15.0	6.56	2.21	6.51	2.33	6.47	2.44	6.44	2.50	6.42	2.55	6.38	2.67
	-10.0	7.77	2.44	7.73	2.55	7.68	2.67	7.66	2.72	7.64	2.78	7.60	2.89
	-5.0	8.99	2.67	8.94	2.78	8.90	2.89	8.88	2.95	8.85	3.00	8.81	3.12
	0.0	10.20	2.89	10.16	3.00	10.11	3.12	9.91	3.04	9.71	2.96	9.30	2.81
	6.0	11.19	2.36	10.65	2.26	10.11	2.15	9.91	2.10	9.71	2.04	9.30	1.93
	10.0	11.19	2.19	10.65	2.09	10.11	1.99	9.91	1.94	9.71	1.89	9.30	1.79
7+7+7+9+12	-15.0	6.56	2.21	6.51	2.33	6.47	2.44	6.44	2.50	6.42	2.55	6.38	2.67
	-10.0	7.77	2.44	7.73	2.55	7.68	2.67	7.66	2.72	7.64	2.78	7.60	2.89
	-5.0	8.99	2.67	8.94	2.78	8.90	2.89	8.88	2.95	8.85	3.00	8.81	3.12
	0.0	10.20	2.89	10.16	3.00	10.11	3.12	9.91	3.04	9.71	2.96	9.30	2.81
	6.0	11.19	2.36	10.65	2.26	10.11	2.15	9.91	2.10	9.71	2.04	9.30	1.93
	10.0	11.19	2.19	10.65	2.09	10.11	1.99	9.91	1.94	9.71	1.89	9.30	1.79
5+5+9+9+15	-15.0	6.56	2.21	6.51	2.33	6.47	2.44	6.44	2.50	6.42	2.55	6.38	2.67
	-10.0	7.77	2.44	7.73	2.55	7.68	2.67	7.66	2.72	7.64	2.78	7.60	2.89
	-5.0	8.99	2.67	8.94	2.78	8.90	2.89	8.88	2.95	8.85	3.00	8.81	3.12
	0.0	10.20	2.89	10.16	3.00	10.11	3.12	9.91	3.04	9.71	2.96	9.30	2.81
	6.0	11.19	2.36	10.65	2.26	10.11	2.15	9.91	2.10	9.71	2.04	9.30	1.93
	10.0	11.19	2.19	10.65	2.09	10.11	1.99	9.91	1.94	9.71	1.89	9.30	1.79
5+7+7+9+15	-15.0	6.56	2.21	6.51	2.33	6.47	2.44	6.44	2.50	6.42	2.55	6.38	2.67
	-10.0	7.77	2.44	7.73	2.55	7.68	2.67	7.66	2.72	7.64	2.78	7.60	2.89
	-5.0	8.99	2.67	8.94	2.78	8.90	2.89	8.88	2.95	8.85	3.00	8.81	3.12
	0.0	10.20	2.89	10.16	3.00	10.11	3.12	9.91	3.04	9.71	2.96	9.30	2.81
	6.0	11.19	2.36	10.65	2.26	10.11	2.15	9.91	2.10	9.71	2.04	9.30	1.93
	10.0	11.19	2.19	10.65	2.09	10.11	1.99	9.91	1.94	9.71	1.89	9.30	1.79
5+7+7+12+12	-15.0	6.56	2.21	6.51	2.33	6.47	2.44	6.44	2.50	6.42	2.55	6.38	2.67
	-10.0	7.77	2.44	7.73	2.55	7.68	2.67	7.66	2.72	7.64	2.78	7.60	2.89
	-5.0	8.99	2.67	8.94	2.78	8.90	2.89	8.88	2.95	8.85	3.00	8.81	3.12
	0.0	10.20	2.89	10.16	3.00	10.11	3.12	9.91	3.04	9.71	2.96	9.30	2.81
	6.0	11.19	2.36	10.65	2.26	10.11	2.15	9.91	2.10	9.71	2.04	9.30	1.93
	10.0	11.19	2.19	10.65	2.09	10.11	1.99	9.91	1.94	9.71	1.89	9.30	1.79
7+7+7+7+15	-15.0	6.56	2.21	6.51	2.33	6.47	2.44	6.44	2.50	6.42	2.55	6.38	2.67
	-10.0	7.77	2.44	7.73	2.55	7.68	2.67	7.66	2.72	7.64	2.78	7.60	2.89
	-5.0	8.99	2.67	8.94	2.78	8.90	2.89	8.88	2.95	8.85	3.00	8.81	3.12
	0.0	10.20	2.89	10.16	3.00	10.11	3.12	9.91	3.04	9.71	2.96	9.30	2.81
	6.0	11.19	2.36	10.65	2.26	10.11	2.15	9.91	2.10	9.71	2.04	9.30	1.93
	10.0	11.19	2.19	10.65	2.09	10.11	1.99	9.91	1.94	9.71	1.89	9.30	1.79
7+9+9+9+9	-15.0	6.56	2.21	6.51	2.33	6.47	2.44	6.44	2.50	6.42	2.55	6.38	2.67
	-10.0	7.77	2.44	7.73	2.55	7.68	2.67	7.66	2.72	7.64	2.78	7.60	2.89
	-5.0	8.99	2.67	8.94	2.78	8.90	2.89	8.88	2.95	8.85	3.00	8.81	3.12
	0.0	10.20	2.89	10.16	3.00	10.11	3.12	9.91	3.04	9.71	2.96	9.30	2.81
	6.0	11.19	2.36	10.65	2.26	10.11	2.15	9.91	2.10	9.71	2.04	9.30	1.93
	10.0	11.19	2.19	10.65	2.09	10.11	1.99	9.91	1.94	9.71	1.89	9.30	1.79
5+5+7+12+15	-15.0	6.56	2.21	6.51	2.33	6.47	2.44	6.44	2.50	6.42	2.55	6.38	2.67
	-10.0	7.77	2.44	7.73	2.55	7.68	2.67	7.66	2.72	7.64	2.78	7.60	2.89
	-5.0	8.99	2.67	8.94	2.78	8.90	2.89	8.88	2.95	8.85	3.00	8.81	3.12
	0.0	10.20	2.89	10.16	3.00	10.11	3.12	9.91	3.04	9.71	2.96	9.30	2.81
	6.0	11.19	2.36	10.65	2.26	10.11	2.15	9.91	2.10	9.71	2.04	9.30	1.93
	10.0	11.19	2.19	10.65	2.09	10.11	1.99	9.91	1.94	9.71	1.89	9.30	1.79
5+5+5+5+24	-15.0	6.56	2.21	6.51	2.33	6.47	2.44	6.44	2.50	6.42	2.55	6.38	2.67
	-10.0	7.77	2.44	7.73	2.55	7.68	2.67	7.66	2.72	7.64	2.78	7.60	2.89
	-5.0	8.99	2.67	8.94	2.78	8.90	2.89	8.88	2.95	8.85	3.00	8.81	3.12
	0.0	10.20	2.89	10.16	3.00	10.11	3.12	9.91	3.04	9.71	2.96	9.30	2.81
	6.0	11.19	2.36	10.65	2.26	10.11	2.15	9.91	2.10	9.71	2.04	9.30	1.93
	10.0	11.19	2.19	10.65	2.09	10.11	1.99	9.91	1.94	9.71	1.89	9.30	1.79
5+7+7+7+18	-15.0	6.56	2.21	6.51	2.33	6.47	2.44	6.44	2.50	6.42	2.55	6.38	2.67
	-10.0	7.77	2.44	7.73	2.55	7.68	2.67	7.66	2.72	7.64	2.78	7.60	2.89
	-5.0	8.99	2.67	8.94	2.78	8.90	2.89	8.88	2.95	8.85	3.00	8.81	3.12
	0.0	10.20	2.89	10.16	3.00	10.11	3.12	9.91	3.04	9.71	2.96	9.30	2.81
	6.0	11.19	2.36	10.65	2.26	10.11	2.15	9.91	2.10	9.71	2.04	9.30	1.93
	10.0	11.19	2.19	10.65	2.09	10.11	1.99	9.91	1.94	9.71	1.89	9.30	1.79
15.0	11.19	1.97	10.65	1.88	10.11	1.79	9.91	1.75	9.71	1.71	9.30	1.62	

5. Capacity tables

Heating Capacity [-30G-]

Combination Capacity Index (kBtu/h)	Outdoor Air Temp. (°WB)	Indoor Air Temp. (°DB)											
		16.0		18.0		20.0		21.0		22.0		24.0	
		TC	PI	TC	PI	TC	PI	TC	PI	TC	PI	TC	PI
5+9+9+9+12	-15.0	6.56	2.21	6.51	2.33	6.47	2.44	6.44	2.50	6.42	2.55	6.38	2.67
	-10.0	7.77	2.44	7.73	2.55	7.68	2.67	7.66	2.72	7.64	2.78	7.60	2.89
	-5.0	8.99	2.67	8.94	2.78	8.90	2.89	8.88	2.95	8.85	3.00	8.81	3.12
	0.0	10.20	2.89	10.16	3.00	10.11	3.12	9.91	3.04	9.71	2.96	9.30	2.81
	6.0	11.19	2.36	10.65	2.26	10.11	2.15	9.91	2.10	9.71	2.04	9.30	1.93
	10.0	11.19	2.19	10.65	2.09	10.11	1.99	9.91	1.94	9.71	1.89	9.30	1.79
7+7+9+9+12	-15.0	6.56	2.21	6.51	2.33	6.47	2.44	6.44	2.50	6.42	2.55	6.38	2.67
	-10.0	7.77	2.44	7.73	2.55	7.68	2.67	7.66	2.72	7.64	2.78	7.60	2.89
	-5.0	8.99	2.67	8.94	2.78	8.90	2.89	8.88	2.95	8.85	3.00	8.81	3.12
	0.0	10.20	2.89	10.16	3.00	10.11	3.12	9.91	3.04	9.71	2.96	9.30	2.81
	6.0	11.19	2.36	10.65	2.26	10.11	2.15	9.91	2.10	9.71	2.04	9.30	1.93
	10.0	11.19	2.19	10.65	2.09	10.11	1.99	9.91	1.94	9.71	1.89	9.30	1.79
5+5+5+12+18	-15.0	6.56	2.21	6.51	2.33	6.47	2.44	6.44	2.50	6.42	2.55	6.38	2.67
	-10.0	7.77	2.44	7.73	2.55	7.68	2.67	7.66	2.72	7.64	2.78	7.60	2.89
	-5.0	8.99	2.67	8.94	2.78	8.90	2.89	8.88	2.95	8.85	3.00	8.81	3.12
	0.0	10.20	2.89	10.16	3.00	10.11	3.12	9.91	3.04	9.71	2.96	9.30	2.81
	6.0	11.19	2.36	10.65	2.26	10.11	2.15	9.91	2.10	9.71	2.04	9.30	1.93
	10.0	11.19	2.19	10.65	2.09	10.11	1.99	9.91	1.94	9.71	1.89	9.30	1.79
5+5+5+15+15	-15.0	6.56	2.21	6.51	2.33	6.47	2.44	6.44	2.50	6.42	2.55	6.38	2.67
	-10.0	7.77	2.44	7.73	2.55	7.68	2.67	7.66	2.72	7.64	2.78	7.60	2.89
	-5.0	8.99	2.67	8.94	2.78	8.90	2.89	8.88	2.95	8.85	3.00	8.81	3.12
	0.0	10.20	2.89	10.16	3.00	10.11	3.12	9.91	3.04	9.71	2.96	9.30	2.81
	6.0	11.19	2.36	10.65	2.26	10.11	2.15	9.91	2.10	9.71	2.04	9.30	1.93
	10.0	11.19	2.19	10.65	2.09	10.11	1.99	9.91	1.94	9.71	1.89	9.30	1.79
5+7+9+9+15	-15.0	6.56	2.21	6.51	2.33	6.47	2.44	6.44	2.50	6.42	2.55	6.38	2.67
	-10.0	7.77	2.44	7.73	2.55	7.68	2.67	7.66	2.72	7.64	2.78	7.60	2.89
	-5.0	8.99	2.67	8.94	2.78	8.90	2.89	8.88	2.95	8.85	3.00	8.81	3.12
	0.0	10.20	2.89	10.16	3.00	10.11	3.12	9.91	3.04	9.71	2.96	9.30	2.81
	6.0	11.19	2.36	10.65	2.26	10.11	2.15	9.91	2.10	9.71	2.04	9.30	1.93
	10.0	11.19	2.19	10.65	2.09	10.11	1.99	9.91	1.94	9.71	1.89	9.30	1.79
5+7+9+12+12	-15.0	6.56	2.21	6.51	2.33	6.47	2.44	6.44	2.50	6.42	2.55	6.38	2.67
	-10.0	7.77	2.44	7.73	2.55	7.68	2.67	7.66	2.72	7.64	2.78	7.60	2.89
	-5.0	8.99	2.67	8.94	2.78	8.90	2.89	8.88	2.95	8.85	3.00	8.81	3.12
	0.0	10.20	2.89	10.16	3.00	10.11	3.12	9.91	3.04	9.71	2.96	9.30	2.81
	6.0	11.19	2.36	10.65	2.26	10.11	2.15	9.91	2.10	9.71	2.04	9.30	1.93
	10.0	11.19	2.19	10.65	2.09	10.11	1.99	9.91	1.94	9.71	1.89	9.30	1.79
7+7+7+9+15	-15.0	6.56	2.21	6.51	2.33	6.47	2.44	6.44	2.50	6.42	2.55	6.38	2.67
	-10.0	7.77	2.44	7.73	2.55	7.68	2.67	7.66	2.72	7.64	2.78	7.60	2.89
	-5.0	8.99	2.67	8.94	2.78	8.90	2.89	8.88	2.95	8.85	3.00	8.81	3.12
	0.0	10.20	2.89	10.16	3.00	10.11	3.12	9.91	3.04	9.71	2.96	9.30	2.81
	6.0	11.19	2.36	10.65	2.26	10.11	2.15	9.91	2.10	9.71	2.04	9.30	1.93
	10.0	11.19	2.19	10.65	2.09	10.11	1.99	9.91	1.94	9.71	1.89	9.30	1.79
7+7+7+12+12	-15.0	6.56	2.21	6.51	2.33	6.47	2.44	6.44	2.50	6.42	2.55	6.38	2.67
	-10.0	7.77	2.44	7.73	2.55	7.68	2.67	7.66	2.72	7.64	2.78	7.60	2.89
	-5.0	8.99	2.67	8.94	2.78	8.90	2.89	8.88	2.95	8.85	3.00	8.81	3.12
	0.0	10.20	2.89	10.16	3.00	10.11	3.12	9.91	3.04	9.71	2.96	9.30	2.81
	6.0	11.19	2.36	10.65	2.26	10.11	2.15	9.91	2.10	9.71	2.04	9.30	1.93
	10.0	11.19	2.19	10.65	2.09	10.11	1.99	9.91	1.94	9.71	1.89	9.30	1.79
9+9+9+9+9	-15.0	6.56	2.21	6.51	2.33	6.47	2.44	6.44	2.50	6.42	2.55	6.38	2.67
	-10.0	7.77	2.44	7.73	2.55	7.68	2.67	7.66	2.72	7.64	2.78	7.60	2.89
	-5.0	8.99	2.67	8.94	2.78	8.90	2.89	8.88	2.95	8.85	3.00	8.81	3.12
	0.0	10.20	2.89	10.16	3.00	10.11	3.12	9.91	3.04	9.71	2.96	9.30	2.81
	6.0	11.19	2.36	10.65	2.26	10.11	2.15	9.91	2.10	9.71	2.04	9.30	1.93
	10.0	11.19	2.19	10.65	2.09	10.11	1.99	9.91	1.94	9.71	1.89	9.30	1.79
5+5+5+7+24	-15.0	6.56	2.21	6.51	2.33	6.47	2.44	6.44	2.50	6.42	2.55	6.38	2.67
	-10.0	7.77	2.44	7.73	2.55	7.68	2.67	7.66	2.72	7.64	2.78	7.60	2.89
	-5.0	8.99	2.67	8.94	2.78	8.90	2.89	8.88	2.95	8.85	3.00	8.81	3.12
	0.0	10.20	2.89	10.16	3.00	10.11	3.12	9.91	3.04	9.71	2.96	9.30	2.81
	6.0	11.19	2.36	10.65	2.26	10.11	2.15	9.91	2.10	9.71	2.04	9.30	1.93
	10.0	11.19	2.19	10.65	2.09	10.11	1.99	9.91	1.94	9.71	1.89	9.30	1.79
	15.0	11.19	1.97	10.65	1.88	10.11	1.79	9.91	1.75	9.71	1.71	9.30	1.62

5. Capacity tables

Heating Capacity [-30G-]

Combination Capacity Index (kBtu/h)	Outdoor Air Temp. (°WB)	Indoor Air Temp. (°DB)											
		16.0		18.0		20.0		21.0		22.0		24.0	
		TC	PI	TC	PI	TC	PI	TC	PI	TC	PI	TC	PI
5+5+9+9+18	-15.0	6.56	2.21	6.51	2.33	6.47	2.44	6.44	2.50	6.42	2.55	6.38	2.67
	-10.0	7.77	2.44	7.73	2.55	7.68	2.67	7.66	2.72	7.64	2.78	7.60	2.89
	-5.0	8.99	2.67	8.94	2.78	8.90	2.89	8.88	2.95	8.85	3.00	8.81	3.12
	0.0	10.20	2.89	10.16	3.00	10.11	3.12	9.91	3.04	9.71	2.96	9.30	2.81
	6.0	11.19	2.36	10.65	2.26	10.11	2.15	9.91	2.10	9.71	2.04	9.30	1.93
	10.0	11.19	2.19	10.65	2.09	10.11	1.99	9.91	1.94	9.71	1.89	9.30	1.79
5+5+9+12+15	-15.0	6.56	2.21	6.51	2.33	6.47	2.44	6.44	2.50	6.42	2.55	6.38	2.67
	-10.0	7.77	2.44	7.73	2.55	7.68	2.67	7.66	2.72	7.64	2.78	7.60	2.89
	-5.0	8.99	2.67	8.94	2.78	8.90	2.89	8.88	2.95	8.85	3.00	8.81	3.12
	0.0	10.20	2.89	10.16	3.00	10.11	3.12	9.91	3.04	9.71	2.96	9.30	2.81
	6.0	11.19	2.36	10.65	2.26	10.11	2.15	9.91	2.10	9.71	2.04	9.30	1.93
	10.0	11.19	2.19	10.65	2.09	10.11	1.99	9.91	1.94	9.71	1.89	9.30	1.79
5+5+12+12+12	-15.0	6.56	2.21	6.51	2.33	6.47	2.44	6.44	2.50	6.42	2.55	6.38	2.67
	-10.0	7.77	2.44	7.73	2.55	7.68	2.67	7.66	2.72	7.64	2.78	7.60	2.89
	-5.0	8.99	2.67	8.94	2.78	8.90	2.89	8.88	2.95	8.85	3.00	8.81	3.12
	0.0	10.20	2.89	10.16	3.00	10.11	3.12	9.91	3.04	9.71	2.96	9.30	2.81
	6.0	11.19	2.36	10.65	2.26	10.11	2.15	9.91	2.10	9.71	2.04	9.30	1.93
	10.0	11.19	2.19	10.65	2.09	10.11	1.99	9.91	1.94	9.71	1.89	9.30	1.79
5+7+7+9+18	-15.0	6.56	2.21	6.51	2.33	6.47	2.44	6.44	2.50	6.42	2.55	6.38	2.67
	-10.0	7.77	2.44	7.73	2.55	7.68	2.67	7.66	2.72	7.64	2.78	7.60	2.89
	-5.0	8.99	2.67	8.94	2.78	8.90	2.89	8.88	2.95	8.85	3.00	8.81	3.12
	0.0	10.20	2.89	10.16	3.00	10.11	3.12	9.91	3.04	9.71	2.96	9.30	2.81
	6.0	11.19	2.36	10.65	2.26	10.11	2.15	9.91	2.10	9.71	2.04	9.30	1.93
	10.0	11.19	2.19	10.65	2.09	10.11	1.99	9.91	1.94	9.71	1.89	9.30	1.79
5+7+7+12+15	-15.0	6.56	2.21	6.51	2.33	6.47	2.44	6.44	2.50	6.42	2.55	6.38	2.67
	-10.0	7.77	2.44	7.73	2.55	7.68	2.67	7.66	2.72	7.64	2.78	7.60	2.89
	-5.0	8.99	2.67	8.94	2.78	8.90	2.89	8.88	2.95	8.85	3.00	8.81	3.12
	0.0	10.20	2.89	10.16	3.00	10.11	3.12	9.91	3.04	9.71	2.96	9.30	2.81
	6.0	11.19	2.36	10.65	2.26	10.11	2.15	9.91	2.10	9.71	2.04	9.30	1.93
	10.0	11.19	2.19	10.65	2.09	10.11	1.99	9.91	1.94	9.71	1.89	9.30	1.79
7+7+7+7+18	-15.0	6.56	2.21	6.51	2.33	6.47	2.44	6.44	2.50	6.42	2.55	6.38	2.67
	-10.0	7.77	2.44	7.73	2.55	7.68	2.67	7.66	2.72	7.64	2.78	7.60	2.89
	-5.0	8.99	2.67	8.94	2.78	8.90	2.89	8.88	2.95	8.85	3.00	8.81	3.12
	0.0	10.20	2.89	10.16	3.00	10.11	3.12	9.91	3.04	9.71	2.96	9.30	2.81
	6.0	11.19	2.36	10.65	2.26	10.11	2.15	9.91	2.10	9.71	2.04	9.30	1.93
	10.0	11.19	2.19	10.65	2.09	10.11	1.99	9.91	1.94	9.71	1.89	9.30	1.79
7+9+9+9+12	-15.0	6.56	2.21	6.51	2.33	6.47	2.44	6.44	2.50	6.42	2.55	6.38	2.67
	-10.0	7.77	2.44	7.73	2.55	7.68	2.67	7.66	2.72	7.64	2.78	7.60	2.89
	-5.0	8.99	2.67	8.94	2.78	8.90	2.89	8.88	2.95	8.85	3.00	8.81	3.12
	0.0	10.20	2.89	10.16	3.00	10.11	3.12	9.91	3.04	9.71	2.96	9.30	2.81
	6.0	11.19	2.36	10.65	2.26	10.11	2.15	9.91	2.10	9.71	2.04	9.30	1.93
	10.0	11.19	2.19	10.65	2.09	10.11	1.99	9.91	1.94	9.71	1.89	9.30	1.79
5+5+7+15+15	-15.0	6.56	2.21	6.51	2.33	6.47	2.44	6.44	2.50	6.42	2.55	6.38	2.67
	-10.0	7.77	2.44	7.73	2.55	7.68	2.67	7.66	2.72	7.64	2.78	7.60	2.89
	-5.0	8.99	2.67	8.94	2.78	8.90	2.89	8.88	2.95	8.85	3.00	8.81	3.12
	0.0	10.20	2.89	10.16	3.00	10.11	3.12	9.91	3.04	9.71	2.96	9.30	2.81
	6.0	11.19	2.36	10.65	2.26	10.11	2.15	9.91	2.10	9.71	2.04	9.30	1.93
	10.0	11.19	2.19	10.65	2.09	10.11	1.99	9.91	1.94	9.71	1.89	9.30	1.79
5+9+9+9+15	-15.0	6.56	2.21	6.51	2.33	6.47	2.44	6.44	2.50	6.42	2.55	6.38	2.67
	-10.0	7.77	2.44	7.73	2.55	7.68	2.67	7.66	2.72	7.64	2.78	7.60	2.89
	-5.0	8.99	2.67	8.94	2.78	8.90	2.89	8.88	2.95	8.85	3.00	8.81	3.12
	0.0	10.20	2.89	10.16	3.00	10.11	3.12	9.91	3.04	9.71	2.96	9.30	2.81
	6.0	11.19	2.36	10.65	2.26	10.11	2.15	9.91	2.10	9.71	2.04	9.30	1.93
	10.0	11.19	2.19	10.65	2.09	10.11	1.99	9.91	1.94	9.71	1.89	9.30	1.79
5+9+9+12+12	-15.0	6.56	2.21	6.51	2.33	6.47	2.44	6.44	2.50	6.42	2.55	6.38	2.67
	-10.0	7.77	2.44	7.73	2.55	7.68	2.67	7.66	2.72	7.64	2.78	7.60	2.89
	-5.0	8.99	2.67	8.94	2.78	8.90	2.89	8.88	2.95	8.85	3.00	8.81	3.12
	0.0	10.20	2.89	10.16	3.00	10.11	3.12	9.91	3.04	9.71	2.96	9.30	2.81
	6.0	11.19	2.36	10.65	2.26	10.11	2.15	9.91	2.10	9.71	2.04	9.30	1.93
	10.0	11.19	2.19	10.65	2.09	10.11	1.99	9.91	1.94	9.71	1.89	9.30	1.79

5. Capacity tables

Heating Capacity [-30G-]

Combination Capacity Index (kBtu/h)	Outdoor Air Temp. (°WB)	Indoor Air Temp. (°DB)											
		16.0		18.0		20.0		21.0		22.0		24.0	
		TC	PI	TC	PI	TC	PI	TC	PI	TC	PI	TC	PI
7+7+9+9+15	-15.0	6.56	2.21	6.51	2.33	6.47	2.44	6.44	2.50	6.42	2.55	6.38	2.67
	-10.0	7.77	2.44	7.73	2.55	7.68	2.67	7.66	2.72	7.64	2.78	7.60	2.89
	-5.0	8.99	2.67	8.94	2.78	8.90	2.89	8.88	2.95	8.85	3.00	8.81	3.12
	0.0	10.20	2.89	10.16	3.00	10.11	3.12	9.91	3.04	9.71	2.96	9.30	2.81
	6.0	11.19	2.36	10.65	2.26	10.11	2.15	9.91	2.10	9.71	2.04	9.30	1.93
	10.0	11.19	2.19	10.65	2.09	10.11	1.99	9.91	1.94	9.71	1.89	9.30	1.79
7+7+9+12+12	-15.0	6.56	2.21	6.51	2.33	6.47	2.44	6.44	2.50	6.42	2.55	6.38	2.67
	-10.0	7.77	2.44	7.73	2.55	7.68	2.67	7.66	2.72	7.64	2.78	7.60	2.89
	-5.0	8.99	2.67	8.94	2.78	8.90	2.89	8.88	2.95	8.85	3.00	8.81	3.12
	0.0	10.20	2.89	10.16	3.00	10.11	3.12	9.91	3.04	9.71	2.96	9.30	2.81
	6.0	11.19	2.36	10.65	2.26	10.11	2.15	9.91	2.10	9.71	2.04	9.30	1.93
	10.0	11.19	2.19	10.65	2.09	10.11	1.99	9.91	1.94	9.71	1.89	9.30	1.79
5+5+5+9+24	-15.0	6.56	2.21	6.51	2.33	6.47	2.44	6.44	2.50	6.42	2.55	6.38	2.67
	-10.0	7.77	2.44	7.73	2.55	7.68	2.67	7.66	2.72	7.64	2.78	7.60	2.89
	-5.0	8.99	2.67	8.94	2.78	8.90	2.89	8.88	2.95	8.85	3.00	8.81	3.12
	0.0	10.20	2.89	10.16	3.00	10.11	3.12	9.91	3.04	9.71	2.96	9.30	2.81
	6.0	11.19	2.36	10.65	2.26	10.11	2.15	9.91	2.10	9.71	2.04	9.30	1.93
	10.0	11.19	2.19	10.65	2.09	10.11	1.99	9.91	1.94	9.71	1.89	9.30	1.79
5+5+5+18+15	-15.0	6.56	2.21	6.51	2.33	6.47	2.44	6.44	2.50	6.42	2.55	6.38	2.67
	-10.0	7.77	2.44	7.73	2.55	7.68	2.67	7.66	2.72	7.64	2.78	7.60	2.89
	-5.0	8.99	2.67	8.94	2.78	8.90	2.89	8.88	2.95	8.85	3.00	8.81	3.12
	0.0	10.20	2.89	10.16	3.00	10.11	3.12	9.91	3.04	9.71	2.96	9.30	2.81
	6.0	11.19	2.36	10.65	2.26	10.11	2.15	9.91	2.10	9.71	2.04	9.30	1.93
	10.0	11.19	2.19	10.65	2.09	10.11	1.99	9.91	1.94	9.71	1.89	9.30	1.79
5+5+7+7+24	-15.0	6.56	2.21	6.51	2.33	6.47	2.44	6.44	2.50	6.42	2.55	6.38	2.67
	-10.0	7.77	2.44	7.73	2.55	7.68	2.67	7.66	2.72	7.64	2.78	7.60	2.89
	-5.0	8.99	2.67	8.94	2.78	8.90	2.89	8.88	2.95	8.85	3.00	8.81	3.12
	0.0	10.20	2.89	10.16	3.00	10.11	3.12	9.91	3.04	9.71	2.96	9.30	2.81
	6.0	11.19	2.36	10.65	2.26	10.11	2.15	9.91	2.10	9.71	2.04	9.30	1.93
	10.0	11.19	2.19	10.65	2.09	10.11	1.99	9.91	1.94	9.71	1.89	9.30	1.79
5+7+9+9+18	-15.0	6.56	2.21	6.51	2.33	6.47	2.44	6.44	2.50	6.42	2.55	6.38	2.67
	-10.0	7.77	2.44	7.73	2.55	7.68	2.67	7.66	2.72	7.64	2.78	7.60	2.89
	-5.0	8.99	2.67	8.94	2.78	8.90	2.89	8.88	2.95	8.85	3.00	8.81	3.12
	0.0	10.20	2.89	10.16	3.00	10.11	3.12	9.91	3.04	9.71	2.96	9.30	2.81
	6.0	11.19	2.36	10.65	2.26	10.11	2.15	9.91	2.10	9.71	2.04	9.30	1.93
	10.0	11.19	2.19	10.65	2.09	10.11	1.99	9.91	1.94	9.71	1.89	9.30	1.79
5+7+9+12+15	-15.0	6.56	2.21	6.51	2.33	6.47	2.44	6.44	2.50	6.42	2.55	6.38	2.67
	-10.0	7.77	2.44	7.73	2.55	7.68	2.67	7.66	2.72	7.64	2.78	7.60	2.89
	-5.0	8.99	2.67	8.94	2.78	8.90	2.89	8.88	2.95	8.85	3.00	8.81	3.12
	0.0	10.20	2.89	10.16	3.00	10.11	3.12	9.91	3.04	9.71	2.96	9.30	2.81
	6.0	11.19	2.36	10.65	2.26	10.11	2.15	9.91	2.10	9.71	2.04	9.30	1.93
	10.0	11.19	2.19	10.65	2.09	10.11	1.99	9.91	1.94	9.71	1.89	9.30	1.79
5+7+12+12+12	-15.0	6.56	2.21	6.51	2.33	6.47	2.44	6.44	2.50	6.42	2.55	6.38	2.67
	-10.0	7.77	2.44	7.73	2.55	7.68	2.67	7.66	2.72	7.64	2.78	7.60	2.89
	-5.0	8.99	2.67	8.94	2.78	8.90	2.89	8.88	2.95	8.85	3.00	8.81	3.12
	0.0	10.20	2.89	10.16	3.00	10.11	3.12	9.91	3.04	9.71	2.96	9.30	2.81
	6.0	11.19	2.36	10.65	2.26	10.11	2.15	9.91	2.10	9.71	2.04	9.30	1.93
	10.0	11.19	2.19	10.65	2.09	10.11	1.99	9.91	1.94	9.71	1.89	9.30	1.79
7+7+7+12+15	-15.0	6.56	2.21	6.51	2.33	6.47	2.44	6.44	2.50	6.42	2.55	6.38	2.67
	-10.0	7.77	2.44	7.73	2.55	7.68	2.67	7.66	2.72	7.64	2.78	7.60	2.89
	-5.0	8.99	2.67	8.94	2.78	8.90	2.89	8.88	2.95	8.85	3.00	8.81	3.12
	0.0	10.20	2.89	10.16	3.00	10.11	3.12	9.91	3.04	9.71	2.96	9.30	2.81
	6.0	11.19	2.36	10.65	2.26	10.11	2.15	9.91	2.10	9.71	2.04	9.30	1.93
	10.0	11.19	2.19	10.65	2.09	10.11	1.99	9.91	1.94	9.71	1.89	9.30	1.79
9+9+9+9+12	-15.0	6.56	2.21	6.51	2.33	6.47	2.44	6.44	2.50	6.42	2.55	6.38	2.67
	-10.0	7.77	2.44	7.73	2.55	7.68	2.67	7.66	2.72	7.64	2.78	7.60	2.89
	-5.0	8.99	2.67	8.94	2.78	8.90	2.89	8.88	2.95	8.85	3.00	8.81	3.12
	0.0	10.20	2.89	10.16	3.00	10.11	3.12	9.91	3.04	9.71	2.96	9.30	2.81
	6.0	11.19	2.36	10.65	2.26	10.11	2.15	9.91	2.10	9.71	2.04	9.30	1.93
	10.0	11.19	2.19	10.65	2.09	10.11	1.99	9.91	1.94	9.71	1.89	9.30	1.79
15.0	11.19	1.97	10.65	1.88	10.11	1.79	9.91	1.75	9.71	1.71	9.30	1.62	

5. Capacity tables

Heating Capacity [-30G-]

Combination Capacity Index (kBtu/h)	Outdoor Air Temp. (°WB)	Indoor Air Temp. (°DB)											
		16.0		18.0		20.0		21.0		22.0		24.0	
		TC	PI	TC	PI	TC	PI	TC	PI	TC	PI	TC	PI
7+7+7+9+18	-15.0	6.56	2.21	6.51	2.33	6.47	2.44	6.44	2.50	6.42	2.55	6.38	2.67
	-10.0	7.77	2.44	7.73	2.55	7.68	2.67	7.66	2.72	7.64	2.78	7.60	2.89
	-5.0	8.99	2.67	8.94	2.78	8.90	2.89	8.88	2.95	8.85	3.00	8.81	3.12
	0.0	10.20	2.89	10.16	3.00	10.11	3.12	9.91	3.04	9.71	2.96	9.30	2.81
	6.0	11.19	2.36	10.65	2.26	10.11	2.15	9.91	2.10	9.71	2.04	9.30	1.93
	10.0	11.19	2.19	10.65	2.09	10.11	1.99	9.91	1.94	9.71	1.89	9.30	1.79
	15.0	11.19	1.97	10.65	1.88	10.11	1.79	9.91	1.75	9.71	1.71	9.30	1.62

Note

1. DB : Dry bulb temperature(°C), WB : Wet bulb temperature(°C)
2. TC : Total capacity(kW)
3. PI : Power Input (kW, Compressor + indoor fan motor + outdoor fan motor)
4. All capacities are net. A deduction (cooling mode) or an addition (heating mode) of Capacity due to operating heat of indoor unit motor is reflected.
5. Capacities are based on the following conditions ;
 - Interconnecting Piping Length (Both Main pipe and Branch pipe) is standard length.
 - Difference of Elevation (Outdoor ~ Indoor Unit) is 0 m.
6. Direct interpolation is permissible. Do not extrapolate.
7. Rated capacities and power inputs are based on standard temperature and piping conditions, and it can be found on specifications table. Except for rated value, the performance is not guaranteed.
8. In accordance with the test standard(or nations) and indoor unit's combinations, the rating will vary slightly.

6. Capacity Correction Factor

■ Rate of change in capacity due to the branch piping length

According to line up of each region, availability of indoor units may vary.

◆ 7k Btu/h (2.1 kW) or less models

Piping length(m)	Rate of change in capacity	
	Cooling(%)	Heating(%)
7.5	100.0	100.0
10	98.4	99.2
15	95.8	97.8
20	93.2	96.4
25	90.6	95.0

◆ 9k Btu/h (2.5 kW) models

Piping length(m)	Rate of change in capacity	
	Cooling(%)	Heating(%)
7.5	100.0	100.0
10	98.0	99.0
15	94.8	97.4
20	91.6	95.8
25	88.4	94.2

◆ 12k Btu/h (3.5 kW) models

Piping length(m)	Rate of change in capacity	
	Cooling(%)	Heating(%)
7.5	100.0	100.0
10	97.6	98.6
15	93.8	96.4
20	89.9	94.1
25	86.1	91.9

◆ 15k Btu/h (4.2 kW) models

Piping length(m)	Rate of change in capacity	
	Cooling(%)	Heating(%)
7.5	100.0	100.0
10	97.2	98.2
15	93.0	95.4
20	88.8	92.6
25	84.6	89.8

◆ 18k Btu/h (5.0 kW) models

Piping length(m)	Rate of change in capacity	
	Cooling(%)	Heating(%)
7.5	100.0	100.0
10	98.6	99.6
15	96.4	99.0
20	94.1	98.3
25	91.9	97.7

◆ 24k Btu/h (7.1 kW) models

Piping length(m)	Rate of change in capacity	
	Cooling(%)	Heating(%)
7.5	100.0	100.0
10	98.2	99.2
15	95.4	98.0
20	92.4	96.6
25	89.6	95.4

6. Capacity Correction Factor

■ Calculation of actual system capacity

1. Outdoor unit rated capacity

$Q_{\text{odu(rated)}}$ [from specification table]

2. Outdoor unit capacity at T_i , T_o temperature.

$Q_{\text{odu}(T_i, T_o)}$ [from capacity table]

3. Outdoor unit capacity coefficient factor

$F_{(T_i, T_o)} = Q_{\text{odu}(T_i, T_o)} / Q_{\text{odu(rated)}}$

4. Piping correction factor [from capacity coefficient factor table]

$F_{\text{main}}(\text{length, elevation})$ for main piping length or elevation

: $F_{\text{main}}(\text{length, elevation})$ is used only when the BD (Distributor Box) unit is connected.

$F_{\text{branch}}(\text{length, elevation})$ for branch piping length or elevation

5. Individual indoor unit combinational capacity

$Q_{\text{idu (combi)}} = Q_{\text{odu(rated)}} \times Q_{\text{idu(rated,each)}} / Q_{\text{idu(rated,total)}}$

: $Q_{\text{idu(rated,each)}}$ is Capacity of individual indoor unit

: $Q_{\text{idu(rated,total)}}$ is Total sum of individual capacity for connected indoor units

Refer to the 'Specifications' of each indoor units

6. Individual indoor unit actual capacity

$Q_{\text{idu (actual)}} = Q_{\text{idu(combi)}} \times F_{(T_i, T_o)} \times F_{\text{main}}(\text{length, elevation}) \times F_{\text{branch}}(\text{length, elevation})$

: $F_{\text{main}}(\text{length, elevation})$ is used only when the BD (Distributor Box) unit is connected.

7. Electrical Characteristics

■ Wiring of Main Power Supply and Equipment Capacity

1. The power supply work is needed only to the outdoor unit. The power supply to the indoor unit or the BD unit is conducted through the transmission wiring. Therefore, the power supply work can be carried out at just one place of the outdoor unit. It will contribute to simplify the work procedure and to save cost.
2. Bear in mind ambient conditions (ambient temperature, direct sunlight, rain liquid, etc.) when proceeding with the wiring and connections
3. The wire size is the minimum value for metal conduit wiring. The power cord size should be 1 rank thicker taking into account the line voltage drops. Make sure the power-supply voltage does not drop more than 10%.
4. Specific wiring requirements should adhere to the wiring regulations of the region.
5. Power supply cords of parts of appliances for outdoor use should not be lighter than polychloroprene sheathed flexible cord.
6. Don't install an individual switch or electrical outlet to disconnect each of indoor unit separately from the power supply.

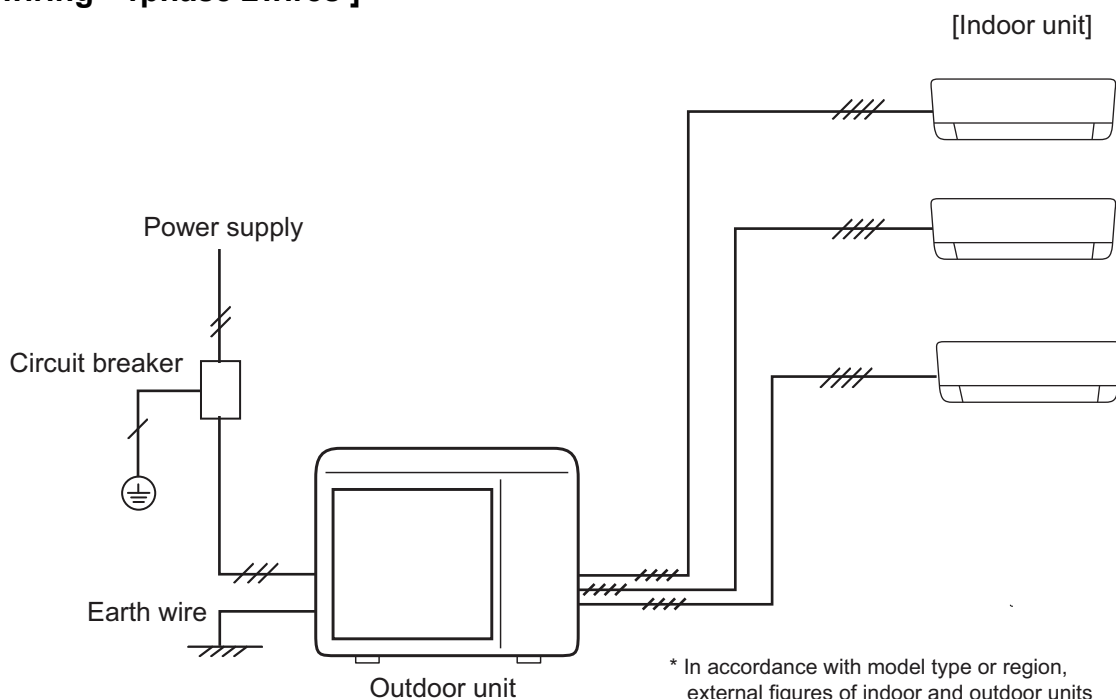
⚠ WARNING

- Follow ordinance of your governmental organization for technical standard related to electrical equipment, wiring regulations and guidance of each electric power company.
- Make sure to use specified wires for connections so that no external force is imparted to terminal connections. If connections are not fixed firmly, it may cause heating or fire.
- Make sure to use the appropriate type of overcurrent protection switch. Note that generated overcurrent may include some amount of direct current.

⚠ CAUTION

- All installation site must require attachment of an earth leakage breaker. If no earth leakage breaker is installed, it may cause an electric shock.
- Do not use anything other than breaker and fuse with correct capacity. Using fuse and wire or copper wire with too large capacity may cause a malfunction of unit or fire.

[Field wiring - 1phase 2wires]



* In accordance with model type or region, external figures of indoor and outdoor units can be different.

7. Electrical Characteristics

◆ 50Hz (1 Phase)

Combination		Power Supply		COMP		OFM		IFM *	
Outdoor Unit	Indoor Unit *	MCA	MFA	MSC	RLA	kW	FLA	kW	FLA
Z2UW14GFA0 [MU2R15 UL0]	DM07RP NSJ × 2EA	11.9	15	-	9.0	0.043	0.25	0.03 x 2	0.20 x 2
Z2UW16GFA0 [MU2R17 UL0]	DM07RP NSJ × 2EA	11.9	15	-	9.0	0.043	0.25	0.03 x 2	0.20 x 2
Z3UW18GFA1 [MU3R19 U21]	DM07RP NSJ × 3EA	15.9	20	-	12.0	0.085	0.33	0.03 x 3	0.20 x 3
Z3UW21GFA1 [MU3R21 U21]	DM07RP NSJ × 3EA	16.1	20	-	12.0	0.085	0.33	0.03 x 3	0.20 x 3
Z4UW24GFA1 [MU4R25 U21]	DM07RP NSJ × 4EA	16.1	20	-	12.0	0.085	0.33	0.03 x 4	0.20 x 4
Z4UW27GFA0 [MU4R27 U40]	DM07RP NSJ × 4EA	22.5	25	-	17.0	0.124	0.48	0.03 x 4	0.20 x 4
Z5UW30GFA0 [MU5R30 U40]	DM07RP NSJ × 5EA	22.7	25	-	17.0	0.124	0.48	0.03 x 5	0.20 x 5

Note

1. Voltage supplied to the unit terminals should be within the minimum and maximum range.
2. Maximum allowable voltage unbalance between phase is 2%.
3. MSC means the Max. current during the starting of compressor.
4. MSC and RLA are measured as the compressor only test condition.
5. OFM are measured as the outdoor unit test condition.
6. Select the wire size based on the MCA.
7. All installation site must require attachment of an earth leakage breaker. [circuit breaker type is ELCB(Earth Leakage Circuit Breaker)].

Symbols

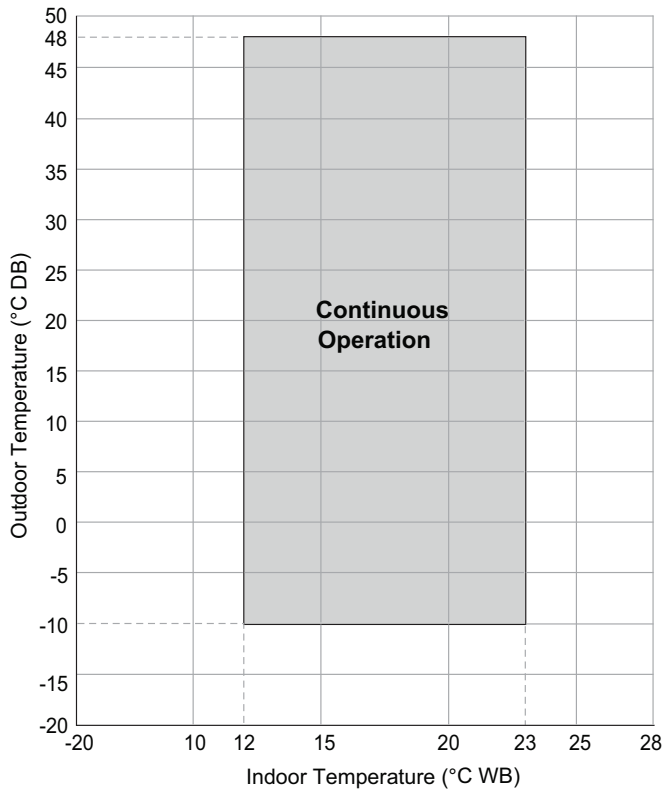
- MCA** : Minimum Circuit Amperes (A)
MFA : Maximum Fuse Amperes (A)
MSC : Maximum Starting Current (A)
RLA : Rated Load Amperes (A)
OFM : Outdoor Fan Motor
kW : Fan Motor rated output (kW)
FLA : Full Load Amperes (A)

Important

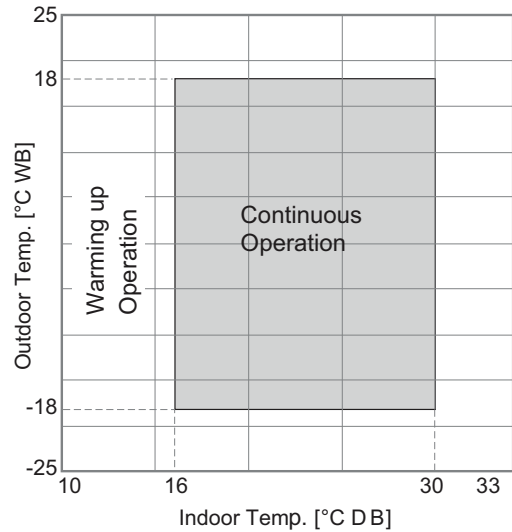
- Rated Power Supply : 1Phase , 220-240V, 50Hz
- Allowable Voltage Range : Min. 198V ~ Max. 264V
- * : In case of Multi type product, IFM/MCA/MFA values are based on the representative combination. Final application of these values should be different by combination of the indoor units or other ambient conditions.

8. Operation Range

Cooling



Heating

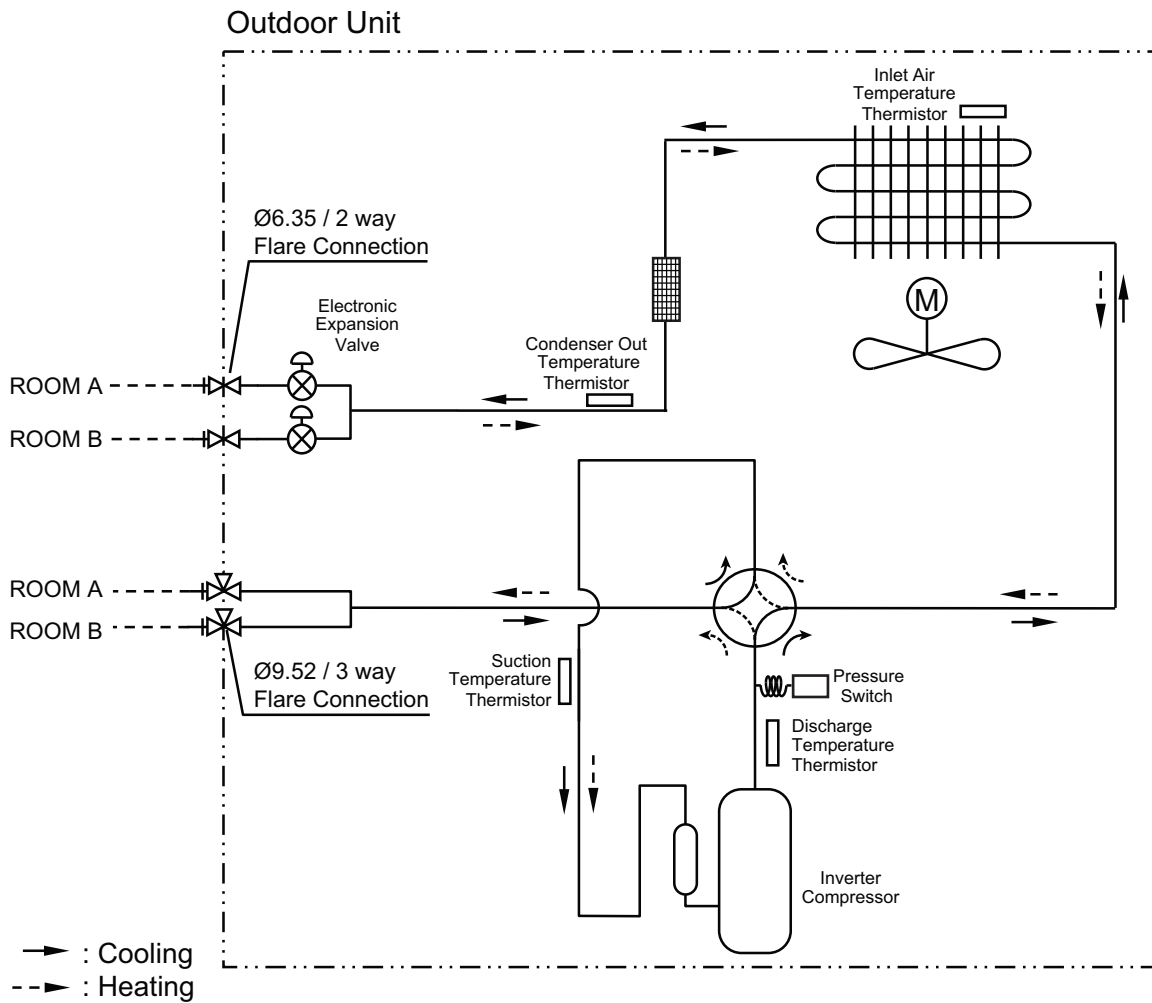


Note

1. Warming up operation means that the outdoor unit operates to reach the range of continuous operating, however it may not operate continuously due to safety or protection logic.

9. Piping Diagrams

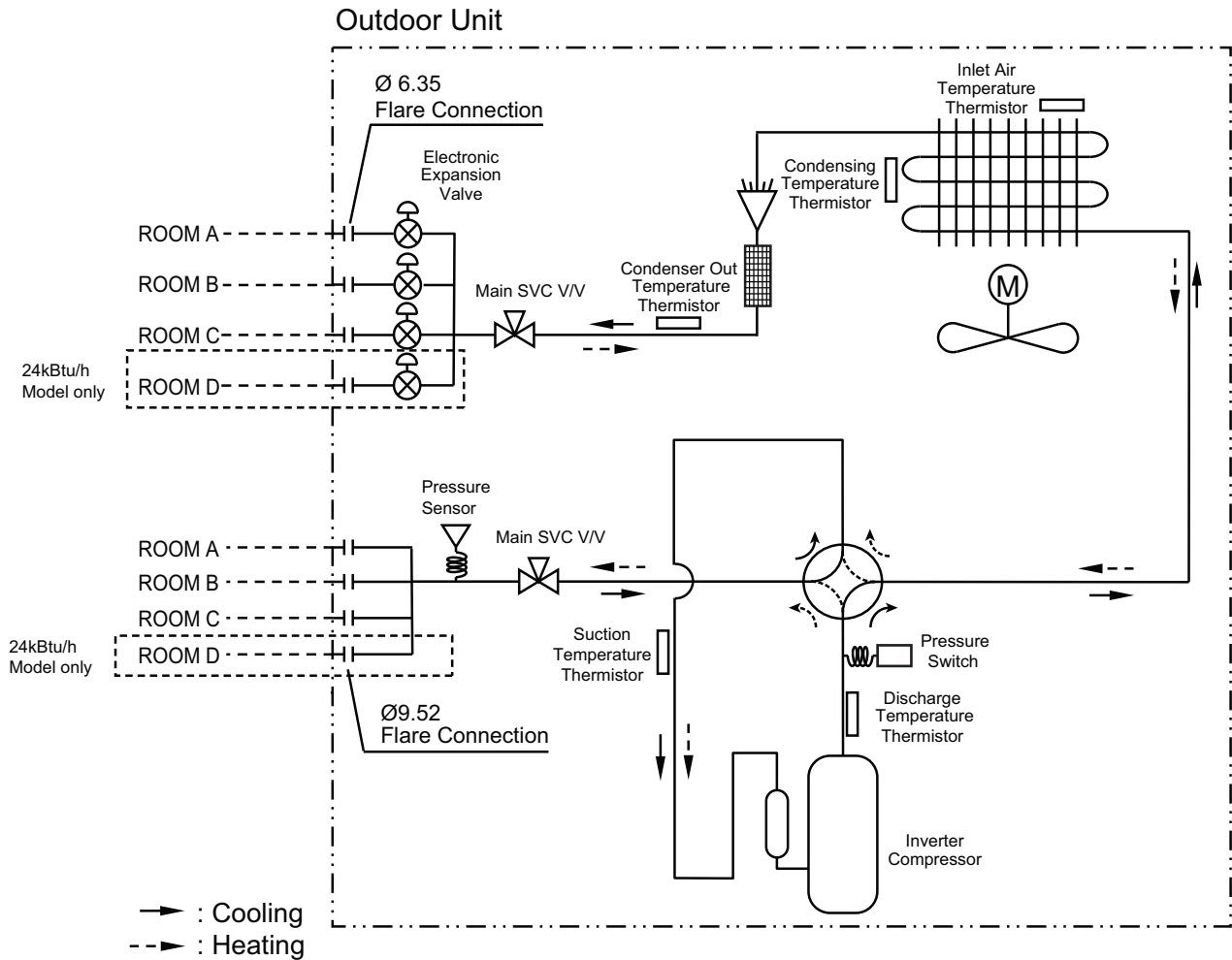
■ Z2UW14GFA0 [MU2R15 UL0] / Z2UW16GFA0 [MU2R17 UL0]



Description	PCB Connector
Condenser out temperature Thermistor	CN-C/PIPE
Inlet air temperature Thermistor	CN-AIR
Discharge temperature Thermistor	CN-DISCHARGE
Suction temperature Thermistor	CN-SUCTION
Pressure Switch	CN-PRESS

9. Piping Diagrams

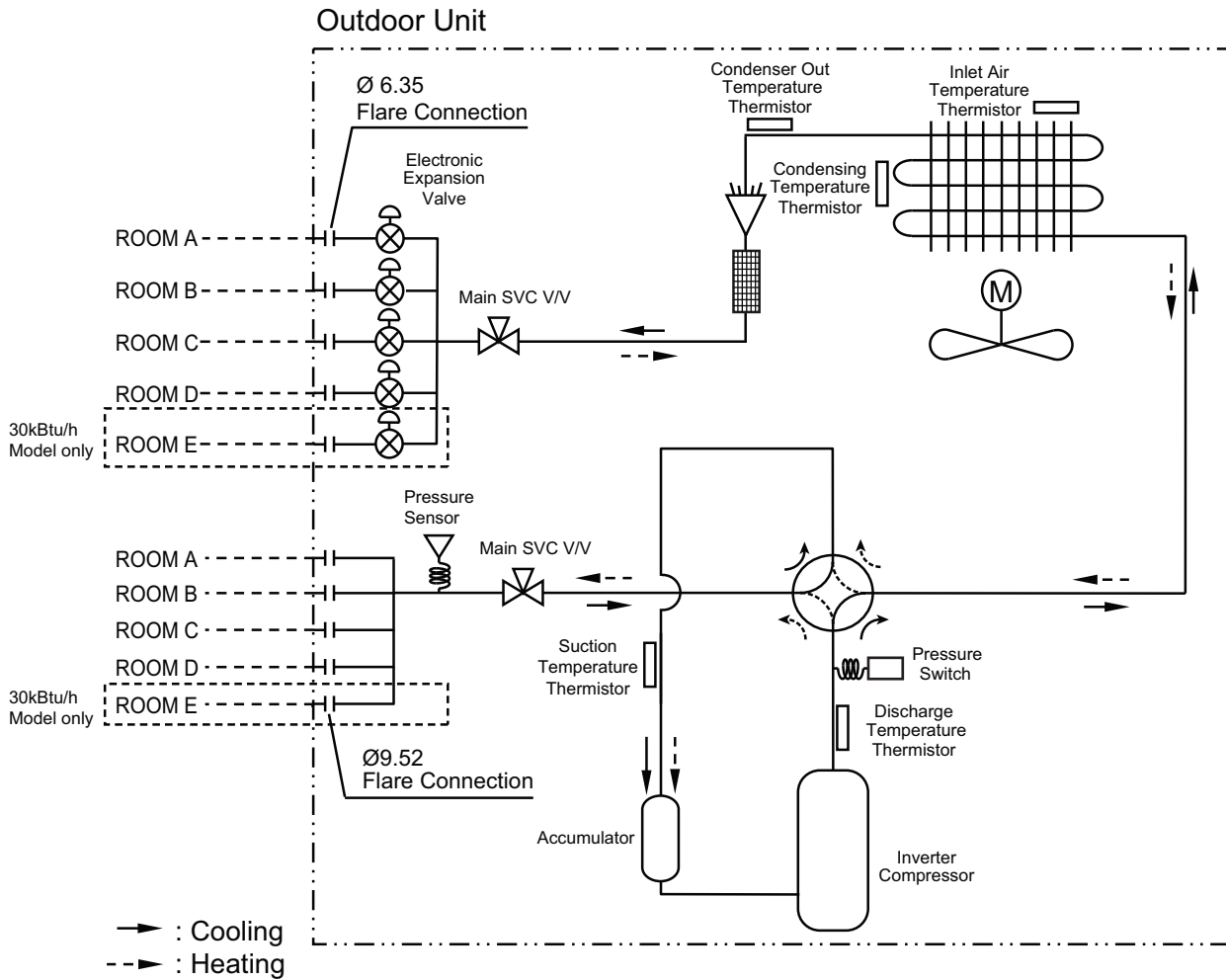
■ Z3UW18GFA1 [MU3R19 U21] / Z3UW21GFA1 [MU3R21 U21]
 Z4UW24GFA1 [MU4R25 U21]



Description	PCB Connector
Condenser out temperature Thermistor	CN-C_PIPE
Condensing temperature Thermistor	CN_MID
Inlet air temperature Thermistor	CN_AIR
Discharge temperature Thermistor	CN_DISCHARGE
Suction temperature Thermistor	CN-SUCTION
Pressure Sensor	CN_H_PRESS
Pressure Switch	CN-PRESS

9. Piping Diagrams

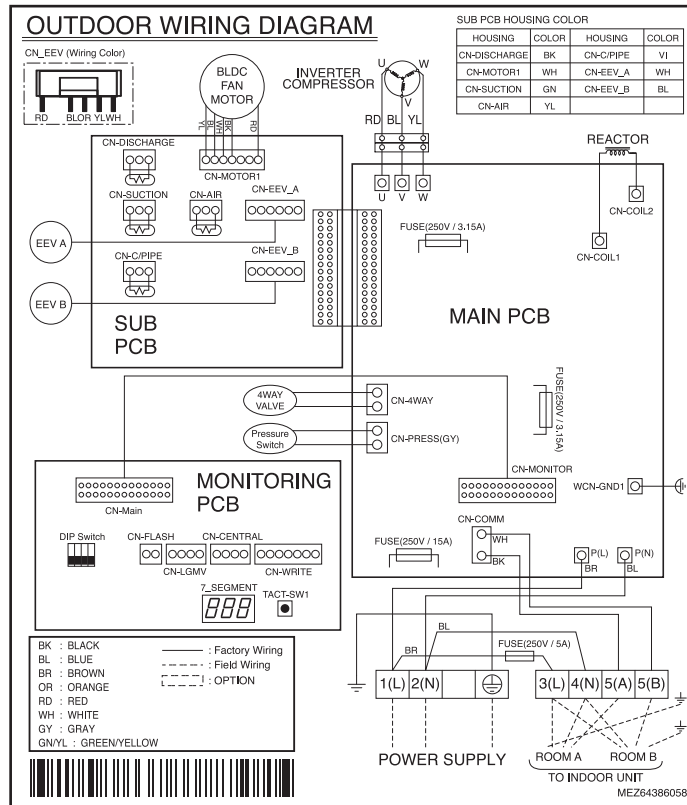
■ Z4UW27GFA0 [MU4R27 U40] / Z5UW30GFA0 [MU5R30 U40]



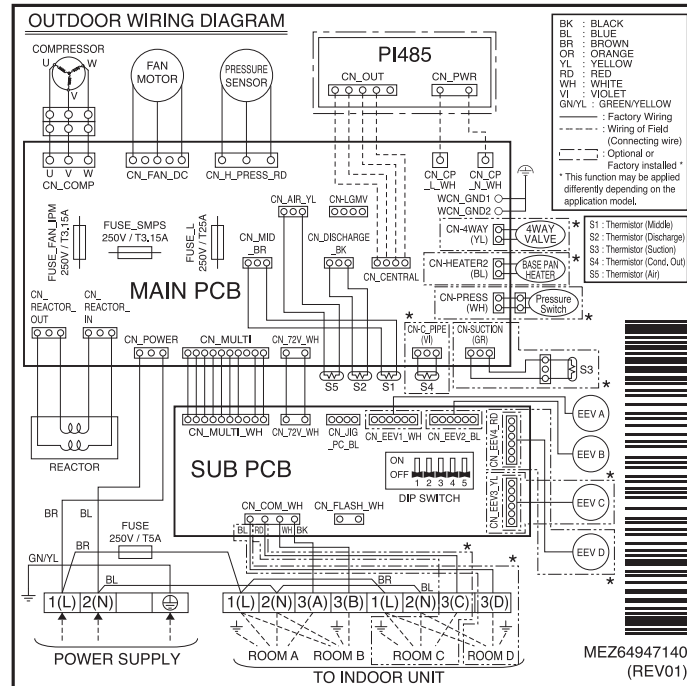
Description	PCB Connector
Condenser out temperature Thermistor	CN-C_PIPE
Condensing temperature Thermistor	CN-MID
Inlet air temperature Thermistor	CN-AIR
Discharge temperature Thermistor	CN-DISCHARGE
Suction temperature Thermistor	CN-SUCTION
Pressure Sensor	CN-H_PRESS
Pressure Switch	CN-PRESS

10. Wiring Diagrams

■ Z2UW14GFA0 [MU2R15 UL0] / Z2UW16GFA0 [MU2R17 UL0]

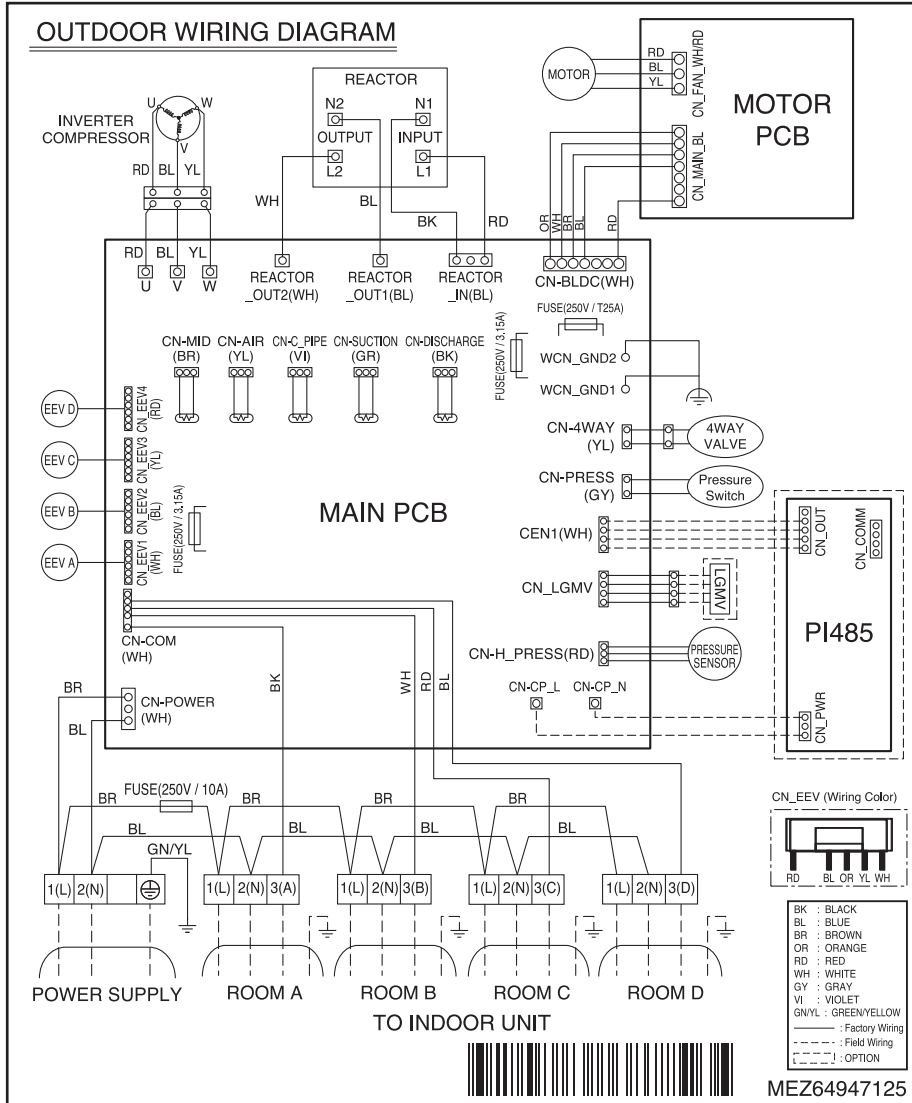


■ Z3UW18GFA1 [MU3R19 U21] / Z3UW21GFA1 [MU3R21 U21] Z4UW24GFA1 [MU4R25 U21]



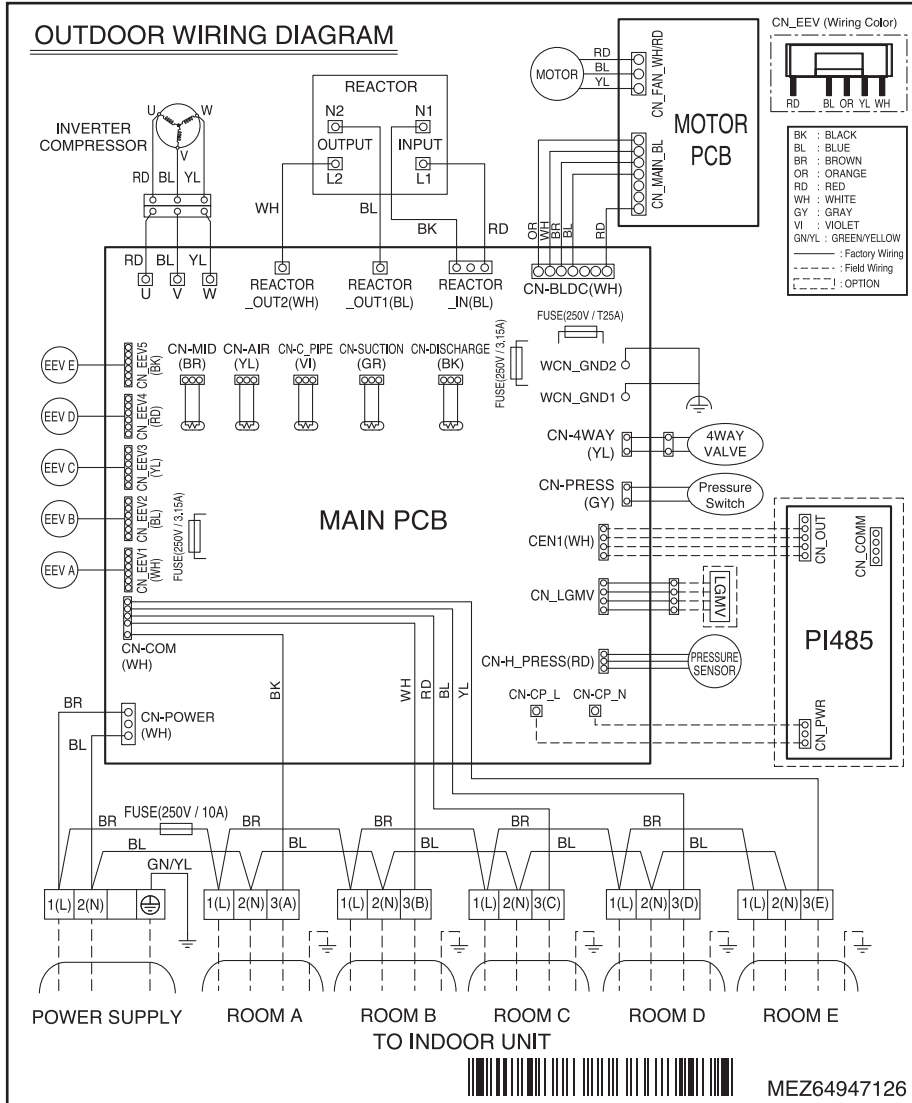
10. Wiring Diagrams

■ Z4UW27GFA0 [MU4R27 U40]



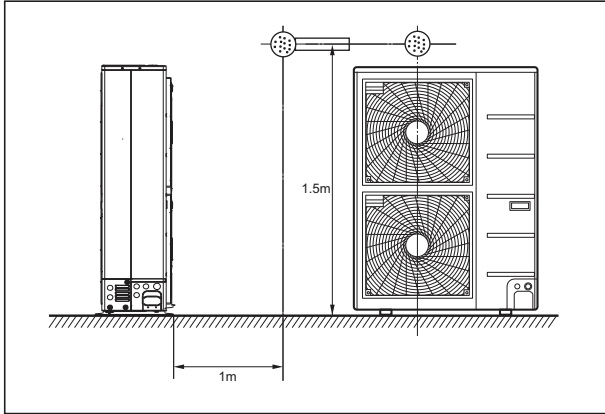
10. Wiring Diagrams

■ Z5UW30GFA0 [MU5R30 U40]



11. Sound Levels

11.1 Sound Pressure Level

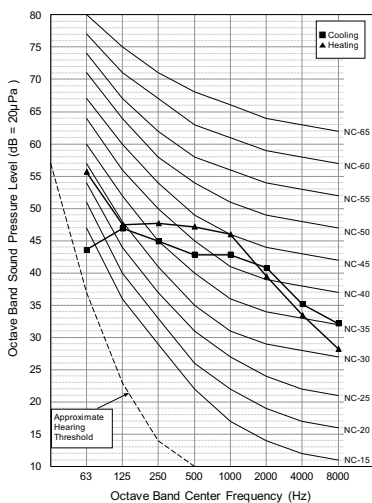


Note

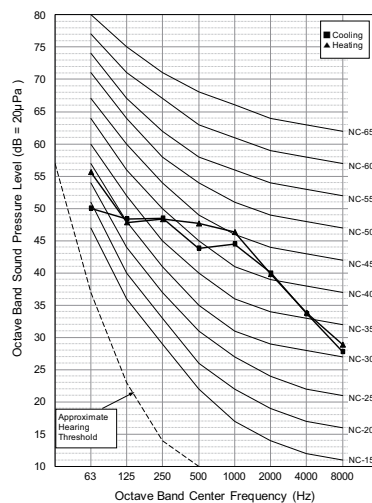
- 1.Data is valid at free field condition.
- 2.Reference accoustic pressure 0dB = 20μPa.
- 3.Data is valid at nominal operation condition.
Refer to the Model Specifications for nominal conditions(Power source and Ambient temperature, etc)
- 4.Sound levels can be increased in accordance with installation and operating conditions. (Operating conditions include some functional condition like Static pressure mode, air guide use, Room target temperature setting, etc and these functions are different in accordance with each model.)
- 5.Sound level will vary depending on a range of factors such as the construction(acoustic absorption coefficient) of particular room in which the equipment is installed.
- 6.Sound pressure level is measured on the rated condition in the anechoic rooms by ISO 3745 standard.
Therefore, these values can be increased owing to ambient conditions during operation.

Model	Sound Pressure Level [dB(A)]	
	Cooling	Heating
Z2UW14GFA0 [MU2R15 UL0]	48	51
Z2UW16GFA0 [MU2R17 UL0]	48	51
Z3UW18GFA1 [MU3R19 U21]	48	53
Z3UW21GFA1 [MU3R21 U21]	49	54
Z4UW24GFA1 [MU4R25 U21]	50	54
Z4UW27GFA0 [MU4R27 U40]	50	54
Z5UW30GFA0 [MU5R30 U40]	50	54

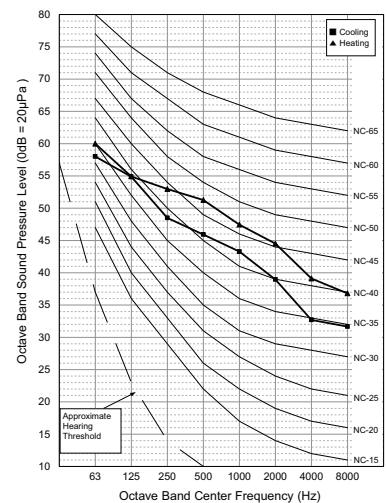
Z2UW14GFA0 [MU2R15 UL0]



Z2UW16GFA0 [MU2R17 UL0]

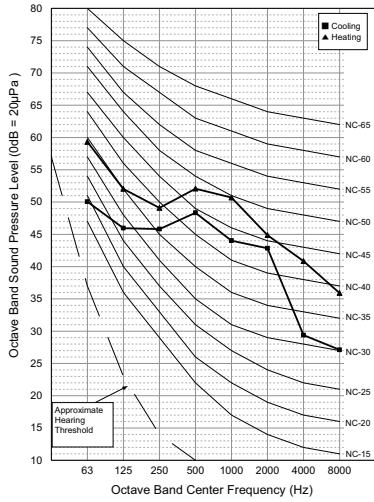


Z3UW18GFA1 [MU3R19 U21]

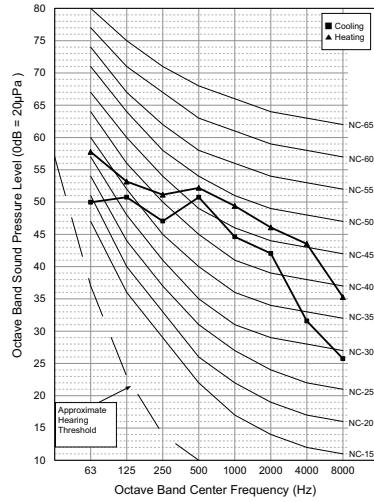


11. Sound Levels

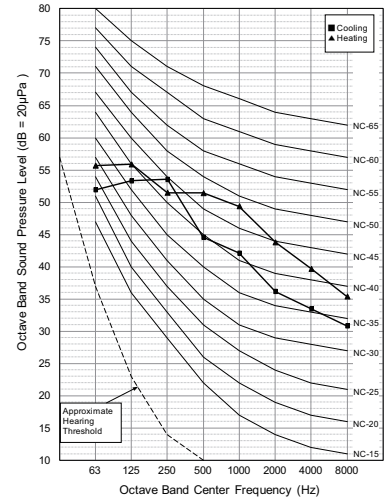
Z3UW21GFA1 [MU3R21 U21]



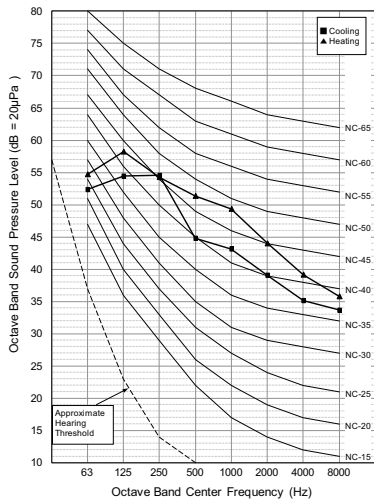
Z4UW24GFA1 [MU4R25 U21]



Z4UW27GFA0 [MU4R27 U40]



Z5UW30GFA0 [MU5R30 U40]



11. Sound Levels

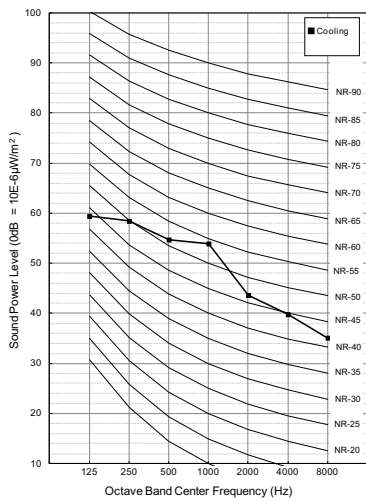
11.2 Sound Power Level

Note

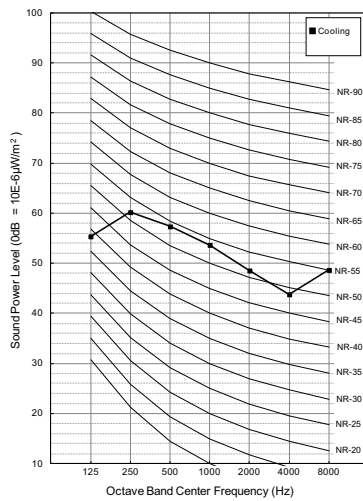
1. Data is valid at diffuse field condition.
2. Data is valid at nominal operating condition
Refer to the Model Specifications for nominal conditions(Power source and Ambient temperature, etc).
3. Sound level can be increased in static pressure mode or used air guide.
4. Sound level will vary depending on a range of factors such as the construction (acoustic absorption coefficient).
5. Reference acoustic intensity 0dB = 10E-6μW/m²
6. Sound power level is measured on the rated condition in the reverberation rooms by ISO 3741 standard.
Therefore, these values can be increased owing to ambient conditions during operation.

Model	Sound Power Level [dB(A)]
	Cooling
Z2UW14GFA0 [MU2R15 UL0]	61
Z2UW16GFA0 [MU2R17 UL0]	63
Z3UW18GFA1 [MU3R19 U21]	63
Z3UW21GFA1 [MU3R21 U21]	64
Z4UW24GFA1 [MU4R25 U21]	66
Z4UW27GFA0 [MU4R27 U40]	65
Z5UW30GFA0 [MU5R30 U40]	66

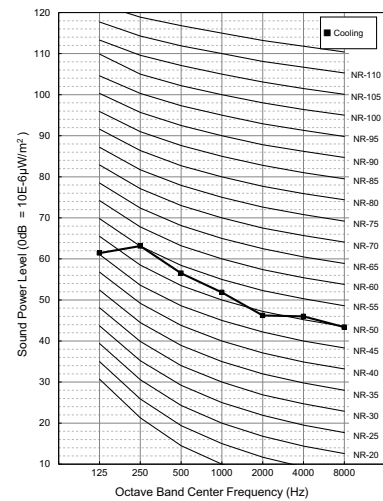
Z2UW14GFA0 [MU2R15 UL0]



Z2UW16GFA0 [MU2R17 UL0]

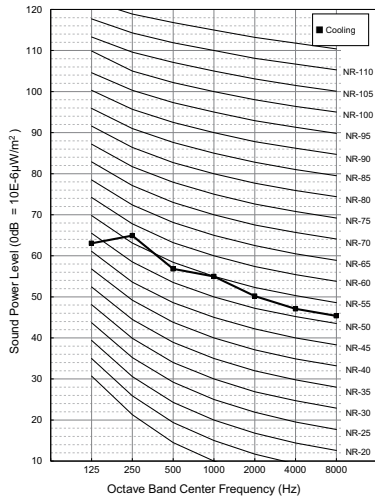


Z3UW18GFA1 [MU3R19 U21]

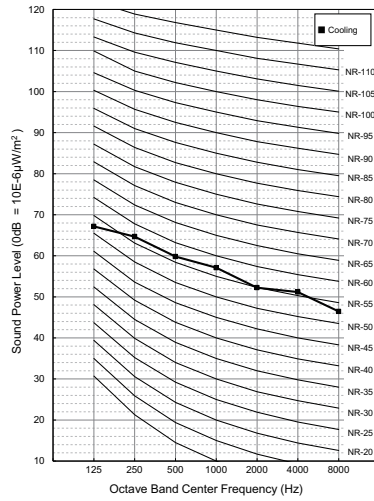


11. Sound Levels

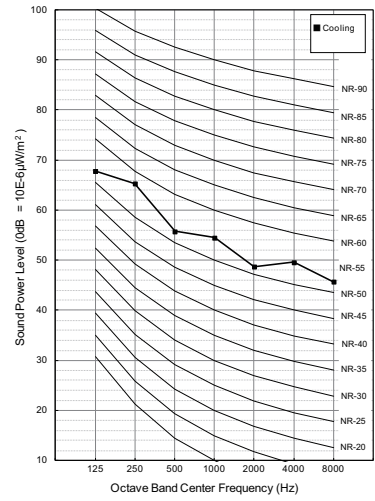
Z3UW21GFA1 [MU3R21 U21]



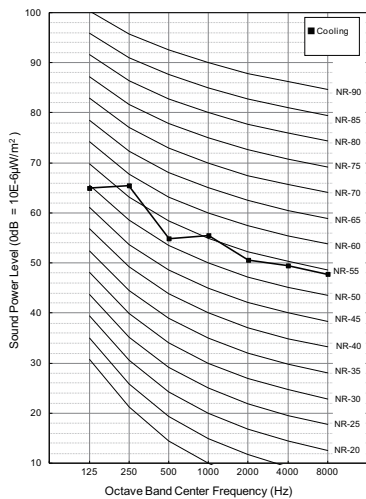
Z4UW24GFA1 [MU4R25 U21]



Z4UW27GFA0 [MU4R27 U40]



Z5UW30GFA0 [MU5R30 U40]



MULTI

Installation of Outdoor Units

- 1. Alternative Refrigerant R32**
- 2. Select the Best Location**
- 3. Installation Space**
- 4. Installation of Outdoor Unit**
- 5. Refrigerant piping system**
- 6. Installation guide at the seaside**
- 7. Seasonal wind and caution in winter**

1. Alternative Refrigerant R32

The refrigerant R32 has the higher efficiency and more friendly for environment in comparison with R410A. It has a lower GWP (Global Warming Potential) value, and higher efficiency than R410A. The Ozone Depletion Potential (ODP) of R32 is 0, and Global Warming Potential(GWP) is 675.

Refrigerant piping consists of copper/steel pipes, joints, and other fittings. All components must be selected and installed in conformity with the standards pertaining to the Refrigeration Safety Regulation. Same piping as for R410A can be used.

WARNING

- This product contains fluorinated greenhouse gases (Refrigerant type : R32). Do NOT emit refrigerant gases into the atmosphere.
 - The refrigerant R32 is Slightly Flammable gas. But it does not leak normally. If the refrigerant leaks in the room and contact with burning energy, it may cause fire, or a harmful gas.
 - If there are some leak, turn off any combustible devices, ventilate the room, and contact the dealer from which you purchased the unit. Do not use the unit until the refrigerant leaked is repaired.
 - Only use R32 as refrigerant. Other substances may cause explosions and accidents.
-

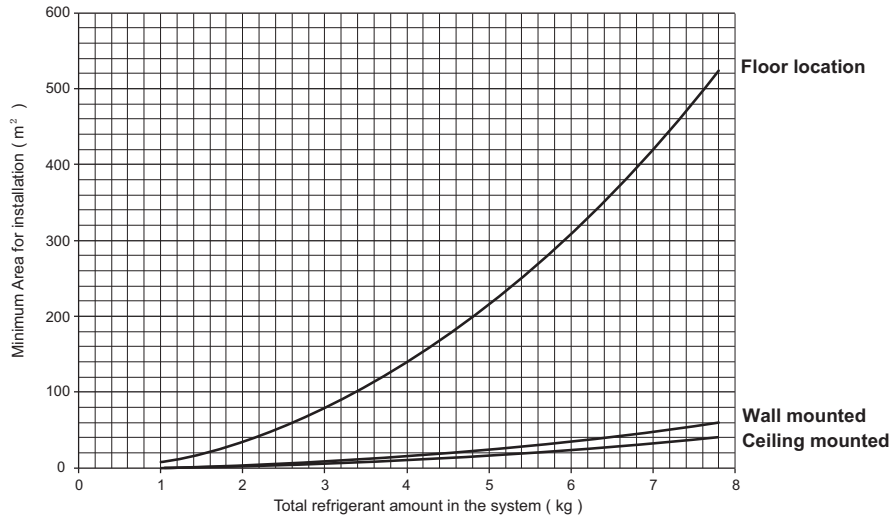
CAUTION

- The wall thickness of the piping should comply with the relevant local and national regulations for the designed pressure.
 - For high-pressure refrigerant, any unapproved pipe must not be used.
 - Do not heat pipes more than necessary to prevent them from softening.
-

1. Alternative Refrigerant R32

■ Minimum Floor Area for Installation

- The unit should be installed, operated and stored in a room with a floor area larger than the minimum area. Use the graph of table to determine the minimum area.
- Pipe-work shall be protected from physical damage and shall not be installed in an unventilated space, if that space is smaller than minimum area for installation.



– Total refrigerant amount in the system = factory refrigerant charge + additional refrigerant amount

Refrigerant Amount (kg)	Minimum Area (m ²)		
	Floor location	Wall mounted	Ceiling Mounted
1.0	8.58	0.95	0.64
1.224	12.90	1.43	0.956
1.4	16.82	1.87	1.25
1.6	21.97	2.44	1.63
1.8	27.80	3.09	2.07
2.0	34.32	3.81	2.55
2.2	41.53	4.61	3.09
2.4	49.42	5.49	3.68
2.6	58.00	6.44	4.31
2.8	67.27	7.47	5.00
3.0	77.22	8.58	5.74
3.2	87.86	9.76	6.54
3.4	99.19	11.02	7.38
3.6	111.20	12.36	8.27
3.8	123.90	13.77	9.22
4.0	137.29	15.25	10.21
4.2	151.36	16.82	11.26
4.4	166.12	18.46	12.36
4.6	181.56	20.17	13.50
4.8	197.70	21.97	14.70
5.0	214.51	23.83	15.96
5.2	232.02	25.78	17.26
5.4	250.21	27.80	18.61
5.6	269.09	29.90	20.01
5.8	288.65	32.07	21.47
6.0	308.90	34.32	22.98
6.2	329.84	36.65	24.53
6.4	351.46	39.05	26.14
6.6	373.77	41.53	27.80
6.8	396.76	44.08	29.51
7.0	420.45	46.72	31.27
7.2	444.81	49.42	33.09
7.4	469.87	52.21	34.95
7.6	495.61	55.07	36.86
7.8	522.04	58.00	38.83

2. Select the Best Location

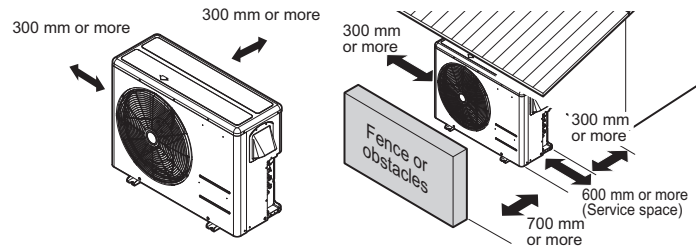
Select space for installing outdoor unit, which will meet the following conditions:

- No direct thermal radiation from other heat sources
- No possibility of annoying neighbors by noise from unit
- No exposition to strong wind
- With strength which bears weight of unit
- Note that drain flows out of unit when heating (Heat pump model)
- With space for air passage and service work shown next
- Because of the possibility of fire, do not install unit to the space where generation, inflow, stagnation, and leakage of combustible gas is expected.
- Avoid unit installation in a place where acidic solution and spray (sulfur) are often used.
- Do not use unit under any special environment where oil, steam and sulfuric gas exist.
- It is recommended to fence round the outdoor unit in order to prevent any person or animal from accessing the outdoor unit.
- If installation site is area of heavy snowfall, then the following directions should be observed.
 - Make the foundation as high as possible.
 - Fit a snow protection hood.
- Select installation location considering following conditions to avoid bad condition when additionally performing defrost operation. (Heat pump model)
 1. Install the outdoor unit at a place well ventilated and having a lot of sunshine in case of installing the product at a place with a high humidity in winter (near beach, coast, lake, etc).
(Ex) Rooftop where sunshine always shines.
 2. Performance of heating will be reduced and pre-heat time of the indoor unit may be lengthened in case of installing the outdoor unit in winter at following location:
 - 1) Shade position with a narrow space
 - 2) Location with much moisture in neighboring floor.
 - 3) Location with much humidity around.
 - 4) Location where liquid gathers since the floor is not even.

3. Installation Space

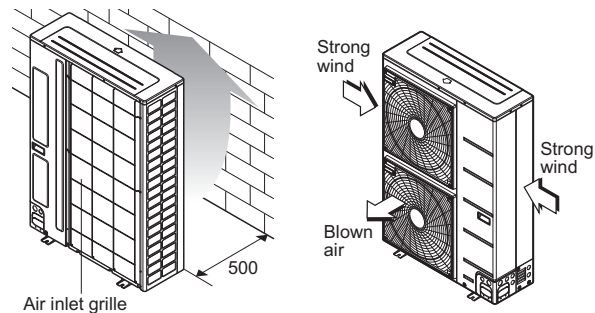
3.1 Clearance around outdoor units

- Ensure that the space around the back is or more more than 300 mm on the opposite to the PCB side and secure 600 mm space near the compressor and PCB side of the air conditioner for service.



* Outdoor unit is representative. Actual appearance of outdoor unit may be different but clearances will stay the same.

- Install the unit so that its discharge port faces to the wall of the building. Keep a distance 500mm or more between the unit and the wall surface.
- Supposing the wind direction during the operation season of the air conditioner, install the unit so that the discharge port is set at right angle to the wind direction.



Turn the air outlet side toward the building's wall, fence or windbreak screen.

Set the outlet side at a right angle to the direction of the wind.

* Outdoor unit is representative. Actual appearance of outdoor unit may be different but clearances will stay the same.

3. Installation Space

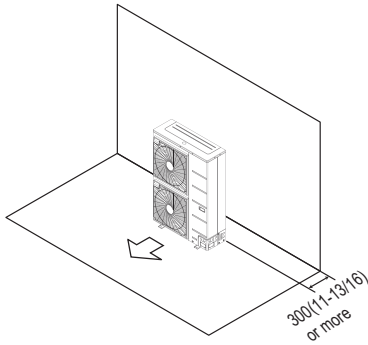
3.1.1 Where there is an obstacle on the air intake side:

■ Stand alone installation

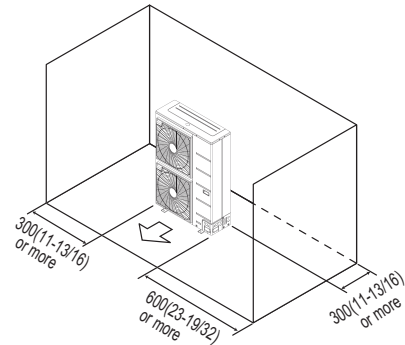
◆ No obstacle above

[Unit : mm(inch)]

• Obstacle on the air intake side only



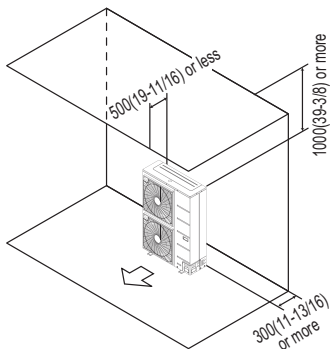
• Obstacle on the both left and right sides



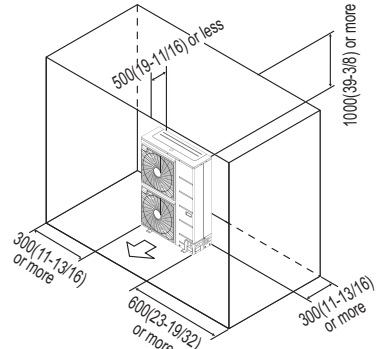
◆ Obstacle above, too

[Unit : mm(inch)]

• Obstacle on the air intake side, too



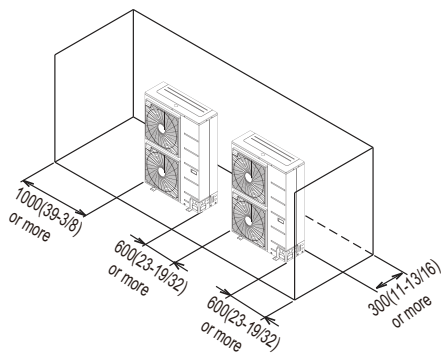
• Obstacle on the air intake side, and both sides



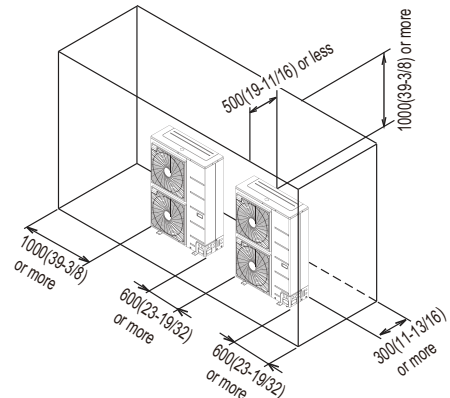
■ Collective installation

[Unit : mm(inch)]

• Obstacle on the both sides



• Obstacle on the air intake side, and both sides



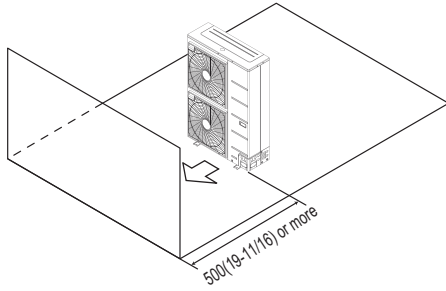
3. Installation Space

3.1.2 Where there is an obstacle on the discharge side:

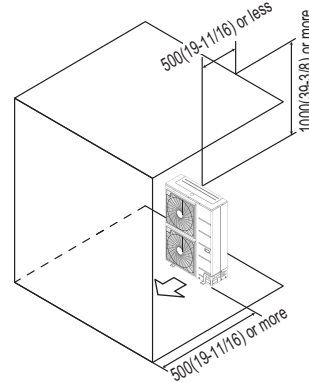
■ Stand alone installation

[Unit : mm(inch)]

- No obstacle above



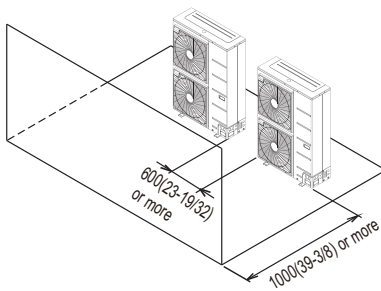
- Obstacle above, too



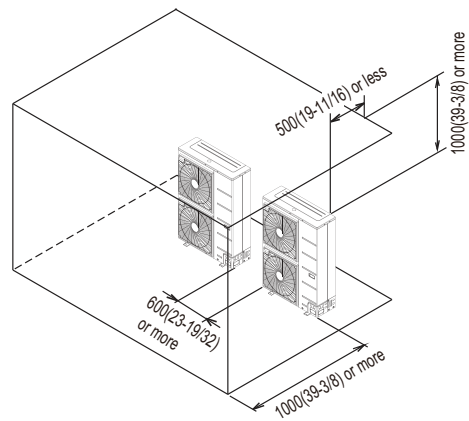
■ Collective installation

[Unit : mm(inch)]

- No obstacle above



- Obstacle above, too



3. Installation Space

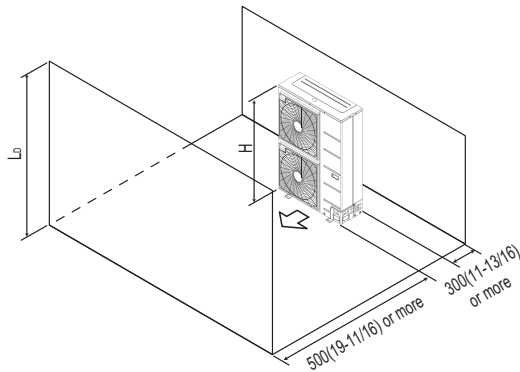
3.1.3 Where there are obstacles on the suction and discharge sides:

■ Stand alone installation

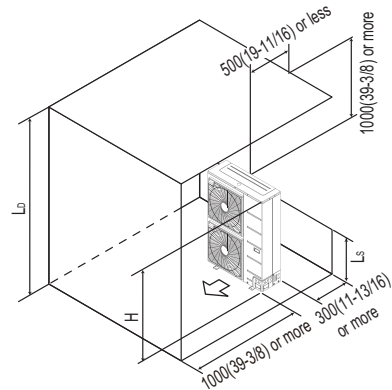
◆ Where the obstacles on the discharge side is higher than the unit ($L_D > H$):

[Unit : mm(inch)]

• No obstacle above



• Obstacle above, too

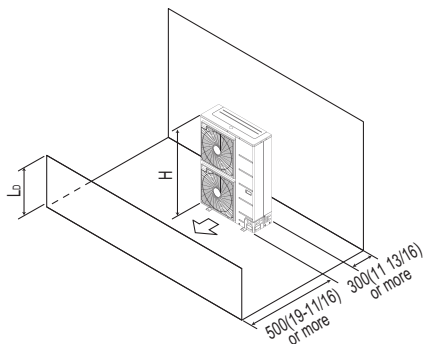


- When the obstacles above also, close the bottom of the installation frame to prevent the discharged air from being bypassed.
- In case that height (L_S) of obstacles on the suction side is higher than the unit height (H), set the stand as ' $L_S \leq H$ '. ' L_S ' should be lower than ' H '.

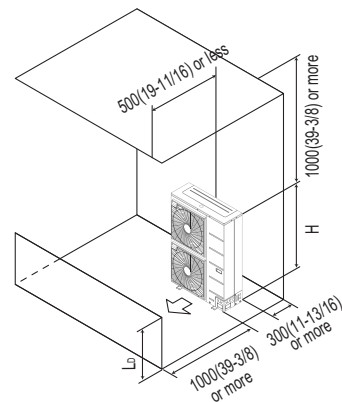
◆ Where the obstacles on the discharge side is lower than the unit ($L_D \leq H$):

[Unit : mm(inch)]

• No obstacle above



• Obstacle above, too



- When the obstacles above also, close the bottom of the installation frame to prevent the discharged air from being bypassed.

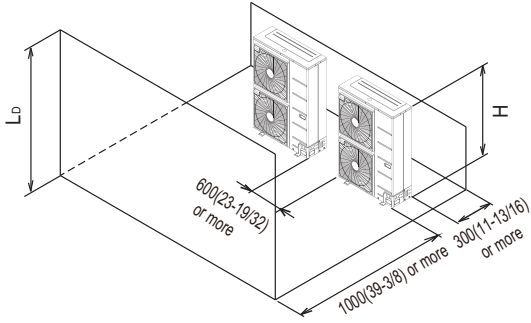
3. Installation Space

■ Collective installation

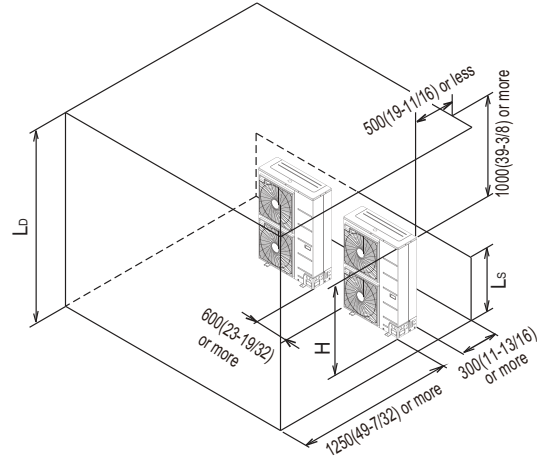
◆ Where the obstacles on the discharge side is higher than the unit ($L_D > H$):

[Unit : mm(inch)]

• No obstacle above



• Obstacle above, too

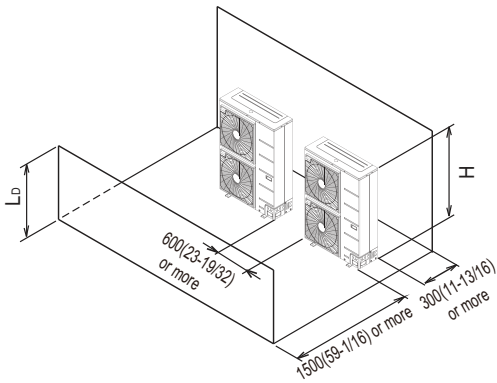


- When the obstacles above also, close the bottom of the installation frame to prevent the discharged air from being bypassed.
- In case that height (L_S) of obstacles on the suction side is higher than the unit height (H), set the stand as ' $L_S \leq H$ '. ' L_S ' should be lower than ' H '.

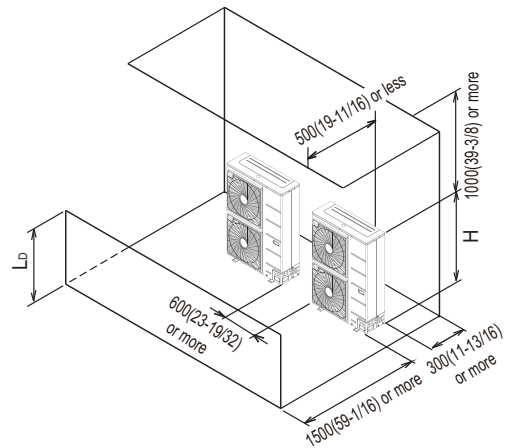
◆ Where the obstacles on the discharge side is lower than the unit ($L_D \leq H$):

[Unit : mm(inch)]

• No obstacle above



• Obstacle above, too



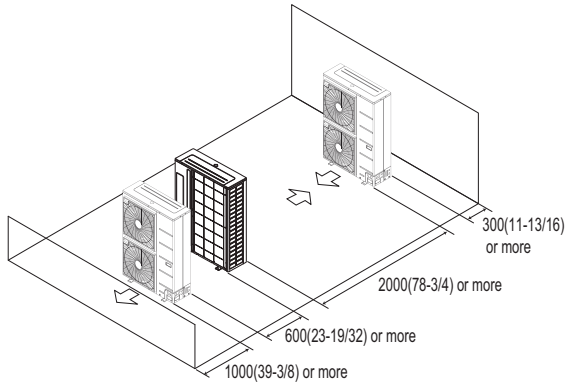
- When the obstacles above also, close the bottom of the installation frame to prevent the discharged air from being bypassed.

3. Installation Space

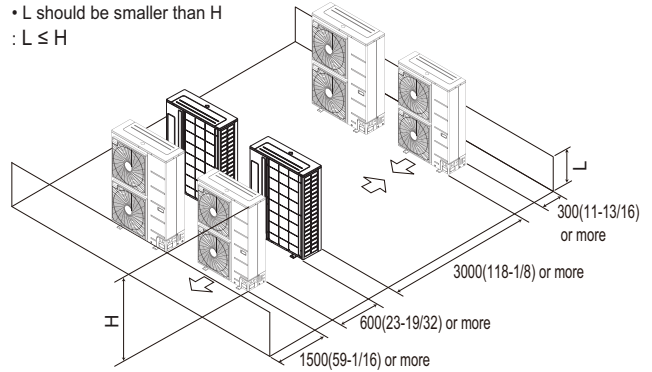
3.1.4 Series installation

[Unit : mm(inch)]

• One row of stand alone installation



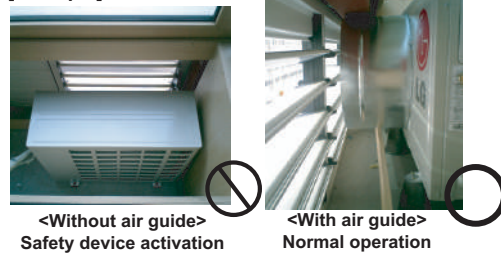
• Rows of collective installation (2 or more)



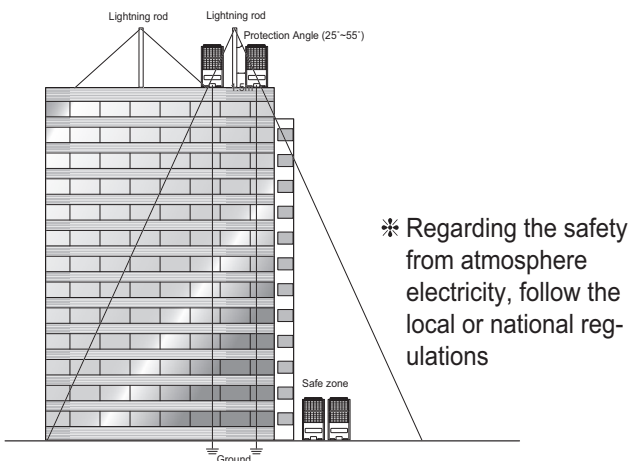
3.2 Air guide work

In case of outdoor unit is located outdoor cabin of apartment or flats, then the efficiency can drop and system pressure increases thus finally damaging the compressor or other components in the system by heat short circuit.

[Example]



3.3 Lightning safety zone



1. To protect outdoor unit from lightning, it should be placed within lightning safety zone.
2. Power cable and communication cable should be 1.5m away from lightning rod.
3. High resistance grounded system should be performed against induced lightning or indirect stroke.
4. If the building has no lightning protection, outdoor may be damage from lightning. This should be informed to customer or building owner in advance.

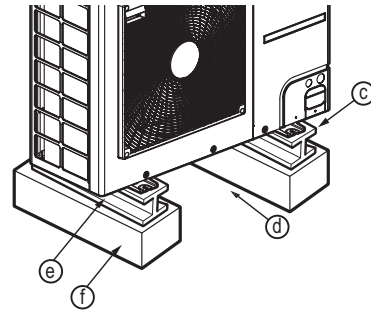
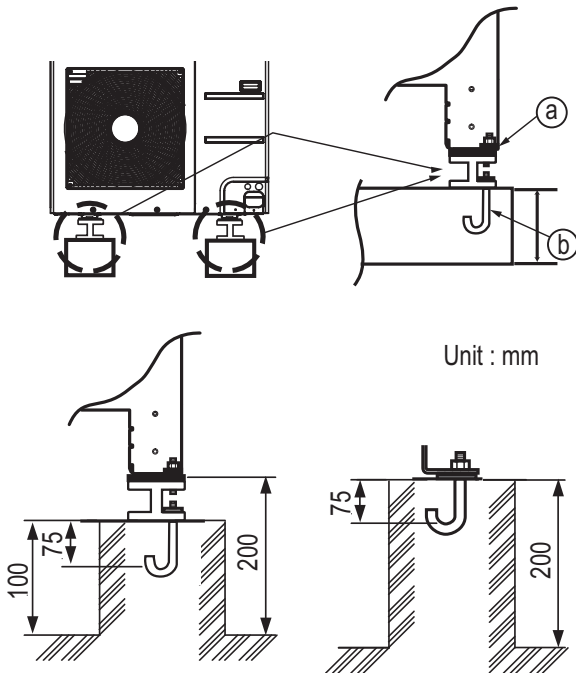
◆ Safety zone

Building Height [m]	20	30	45	60
Protection Angle [°]	55	45	35	25

4. Installation of Outdoor Unit

4.1 Foundation for Installation

- Fix the unit tightly with bolts as shown below so that unit will not fall down due to earthquake or gust.
- Use the H-beam support as a base support.
- Noise and vibration may occur from the floor or wall since vibration is transferred through the installation part depending on installation status. Thus, use anti-vibration materials (cushion pad) fully (The base pad shall be more than 200mm).



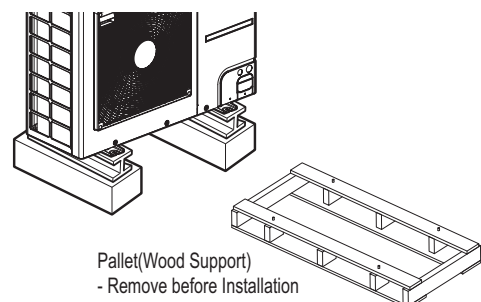
- (a) The corner part must be fixed firmly. Otherwise, the support for the installation may be bent.
- (b) Get and use M10 Anchor bolt.
- (c) Put Cushion Pad between the outdoor unit and ground support for the vibration protection in wide area.
- (d) Space for pipes and wiring (Pipes and wirings for bottom side)
- (e) H-beam support
- (f) Concrete support
- * Outdoor unit is representative. Actual appearance of outdoor unit may be different but clearances will stay the same.

⚠ WARNING

- Install where it can sufficiently support the weight of the outdoor unit.
If the support strength is not enough, the outdoor unit may drop and hurt people.
- Install where the outdoor unit may not fall in strong wind or earthquake.
If there is a fault in the supporting conditions, the outdoor unit may fall and hurt people.
- Please take extra cautions on the supporting strength of the ground, water outlet treatment (treatment of the water flowing out of the outdoor unit in operation) of heat pump unit, and the passages of the pipe and wiring, when making the ground support.
- Do not use tube or pipe for water outlet in the Base pan. Use drainage instead for water outlet.
The tube or pipe may freeze and the water may not be drained. (Heat pump model)

⚠ WARNING

- Be sure to remove the Pallet (Wood Support) of the bottom side of the outdoor unit Base Pan before fixing the bolt. It may cause the unstable state of the outdoor settlement, and may cause freezing of the heat exchanger resulting in abnormal operations.
- Be sure to remove the Pallet (Wood Support) of the bottom side of the outdoor unit before welding. Not removing Pallet (Wood Support) causes hazard of fire during welding.

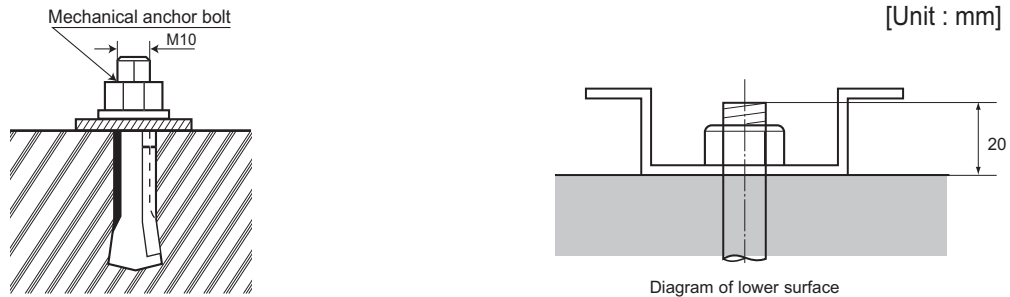


4. Installation of Outdoor Unit

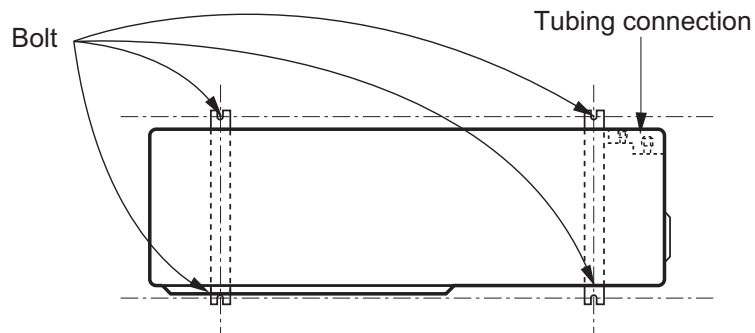
4.2 Settlement of the outdoor unit

- Anchor the outdoor unit with a bolt and nut tightly and horizontally on a concrete or rigid mount.
- When installing on the wall, roof or rooftop, anchor the mounting base securely with a nail or wire assuming the influence of wind and earthquake.
- In the case when the vibration of the unit is conveyed to the house, secure the unit with an anti-vibration rubber.

◆ Bolt construction work



◆ Settlement draw of outdoor units



⚠ CAUTION

- The ingredients of foundation : Cement : Sand : Gravel for the concrete should 1 : 2 : 4 ratio
- The foundation surface should be finished with mortar.
- The edges of foundation should be rounded.
- A drain passage should be made around the foundation to thoroughly drain water away from the equipment installation area. (Heat pump model)
- If installing the outdoor units on the roof, the roof's strength have to be checked.
- Care should be taken for weather - proofing
- Blocking all gaps of outdoor unit, for passing piping and wiring, using sealing material (Field supply)
(Animals and bugs might enter in the machine.)

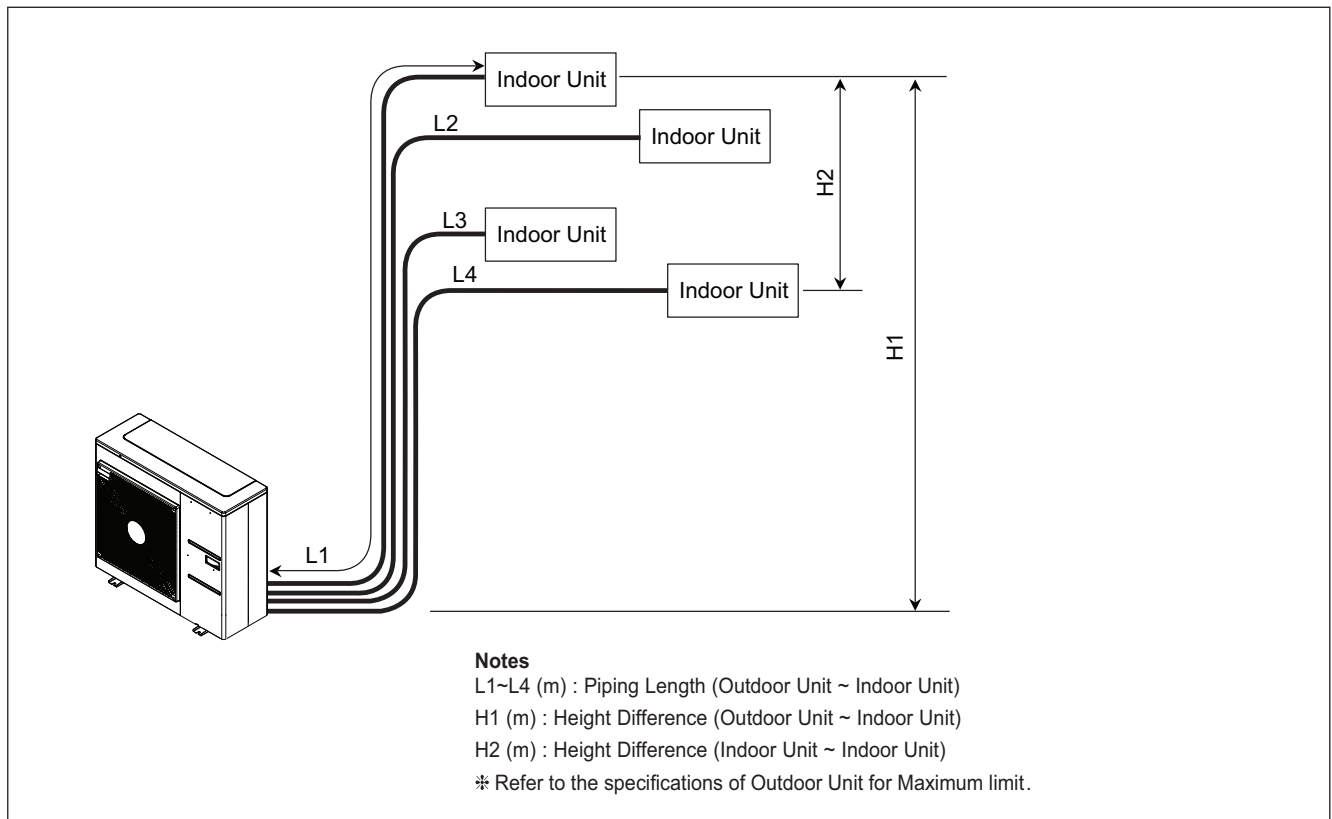
5. Refrigerant piping system

5.1 Piping System between outdoor unit / indoor unit

■ Multiple Piping type

⚠ CAUTION

- Please check the product type. Piping installation and refrigerant charge varies depending on the type of product.
For more information, please refer to the installation manual.



◆ Refrigerant additional charge calculation method

$$\text{Additional charge (g)} = [(L1 + L2 + L3 + L4) - (A \times CF1)] \times a - (CF2 \times 150)$$

L1~L4 (m) : Installed Piping Length (Outdoor Unit ~ Indoor Unit)

A (m) : Charge-less piping length

a (g/m) : Additional charging volume for Main Pipe (Outdoor Unit ~ Indoor Unit)

CF1 : Total number of connected indoor unit ÷ Max. number of connectable indoor unit

CF2 : Max. number of connectable indoor unit – Total number of connected indoor unit

* Refer to the specifications for detail information of A, a.

* If total additional charge value after calculation comes out to be negative, then do not consider additional charge.

⚠ CAUTION

- Capacity is based on standard length and maximum allowance length is on the basis of reliability.
- Improper refrigerant charge may result in abnormal cycle.

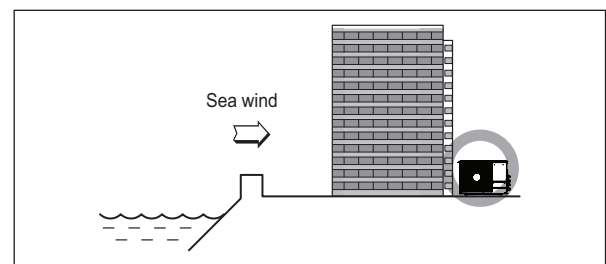
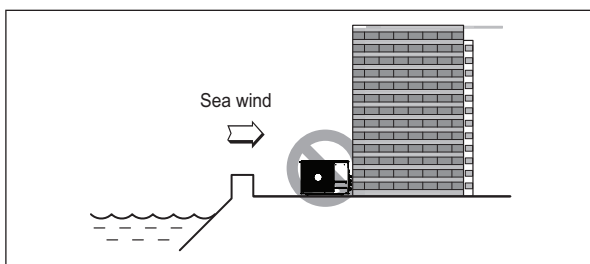
6. Installation guide at the seaside

⚠ CAUTION

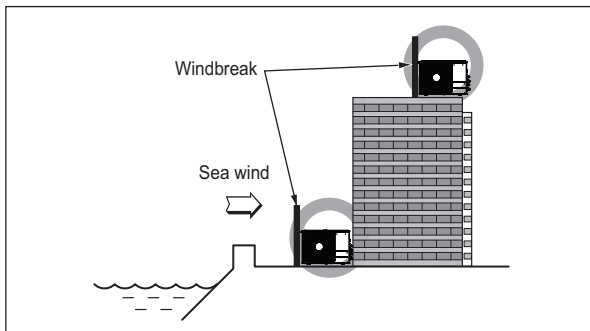
1. Air conditioners should not be installed in areas where corrosive gases, such as acid or alkaline gas, are produced.
2. Do not install the product where it could be exposed to sea wind (salty wind) directly. It can result corrosion on the product. Corrosion, particularly on the condenser and evaporator fins, could cause product malfunction or inefficient performance.
3. If outdoor unit is installed close to the seaside, it should avoid direct exposure to the sea wind. Otherwise it needs additional anticorrosion treatment on the heat exchanger.

■ Selecting the location(Outdoor Unit)

1. If the outdoor unit is to be installed close to the seaside, direct exposure to the sea wind should be avoided. Install the outdoor unit on the opposite side of the sea wind direction.



2. In case, to install the outdoor unit on the seaside, set up a windbreak not to be exposed to the sea wind.



- It should be strong enough like concrete to prevent the sea wind from the sea.
- The height and width should be more than 150% of the outdoor unit.
- It should be kept more than 70 cm of space between outdoor unit and the windbreak for easy air flow.

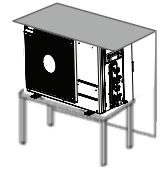
3. Select a well-drained place.

Note

Periodic (more than once/year) cleaning of the dust or salt particles stuck on the heat exchanger by using water

7. Seasonal wind and cautions in winter

- Sufficient measures are required in a snow area or severe cold area in winter so that product can be operated well.
- Get ready for seasonal wind or snow in winter even in other areas.
- Install a suction and discharge duct not to let in snow or rain.
- Install the outdoor unit not to come in contact with snow directly. If snow piles up and freezes on the air suction hole, the system may malfunction. If it is installed at snowy area, attach the hood to the system.
- Install the outdoor unit at the higher installation console by 50cm than the average snowfall (annual average snowfall) if it is installed at the area with much snowfall.
- Where snow accumulated on the upper part of the Outdoor Unit by more than 10cm, always remove snow for operation.



Note

1. The height of H frame must be more than 2 times the snowfall and its width shall not exceed the width of the product. (If width of the frame is wider than that of the product, snow may accumulate)
 2. Don't install the suction hole and discharge hole of the Outdoor Unit facing the seasonal wind.
-



Air Solution

LG Electronics Inc, 128, Yeoui-daero,
Yeongdeungpo-gu, Seoul, Korea
(07336)
<http://partner.lge.com>

Copyright © 2017-2020 LG Electronics Inc.
All Rights Reserved.
Printed in Korea November / 2020

The air conditioners manufactured by LG have received ISO9001 certificate for quality assurance and ISO14001 certificate for environmental management system.
The specifications, designs, and information in this brochure are subject to change without notice.